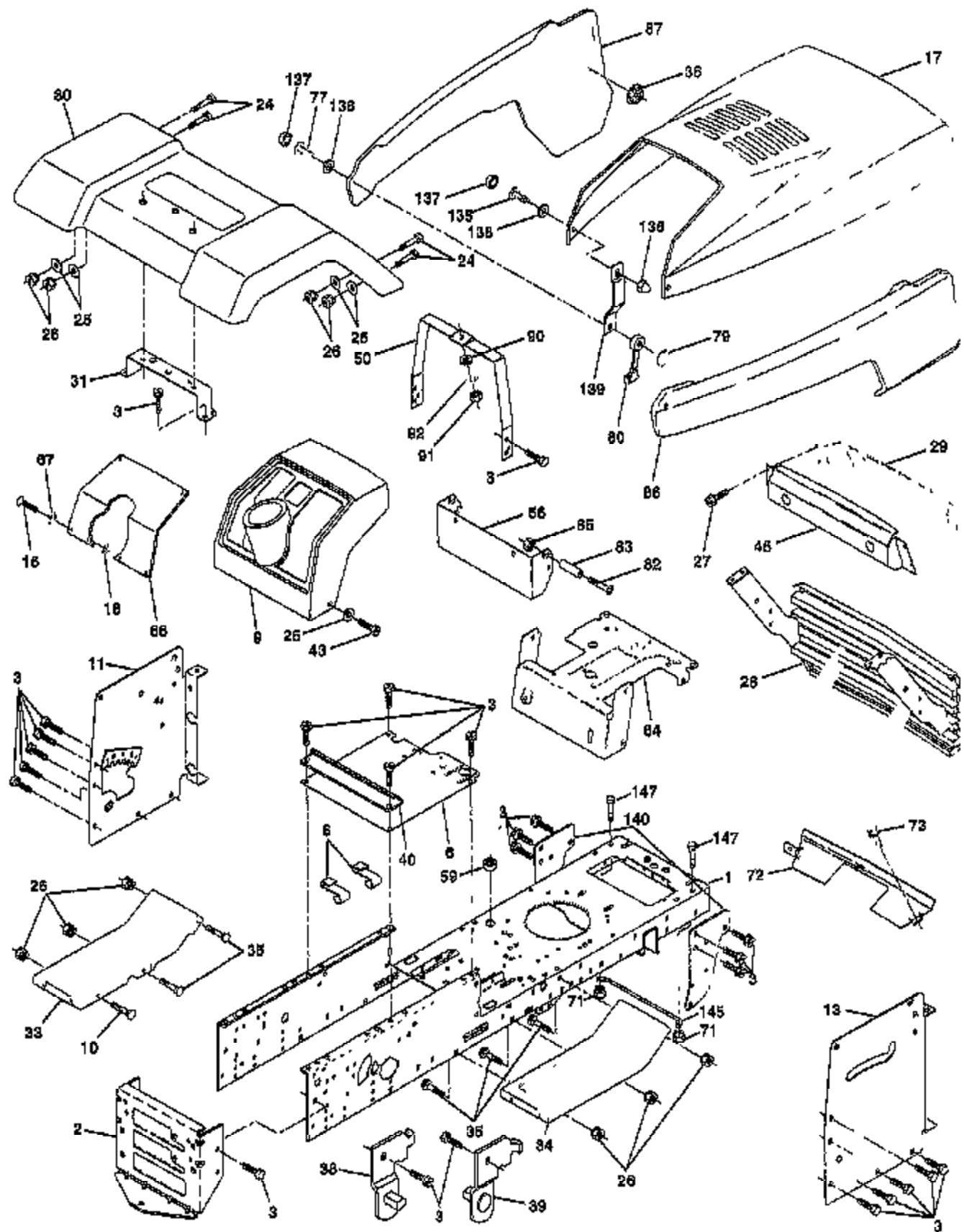


TRACTOR -- MODEL NUMBER 3421H-74A CHASSIS AND ENCLOSURES

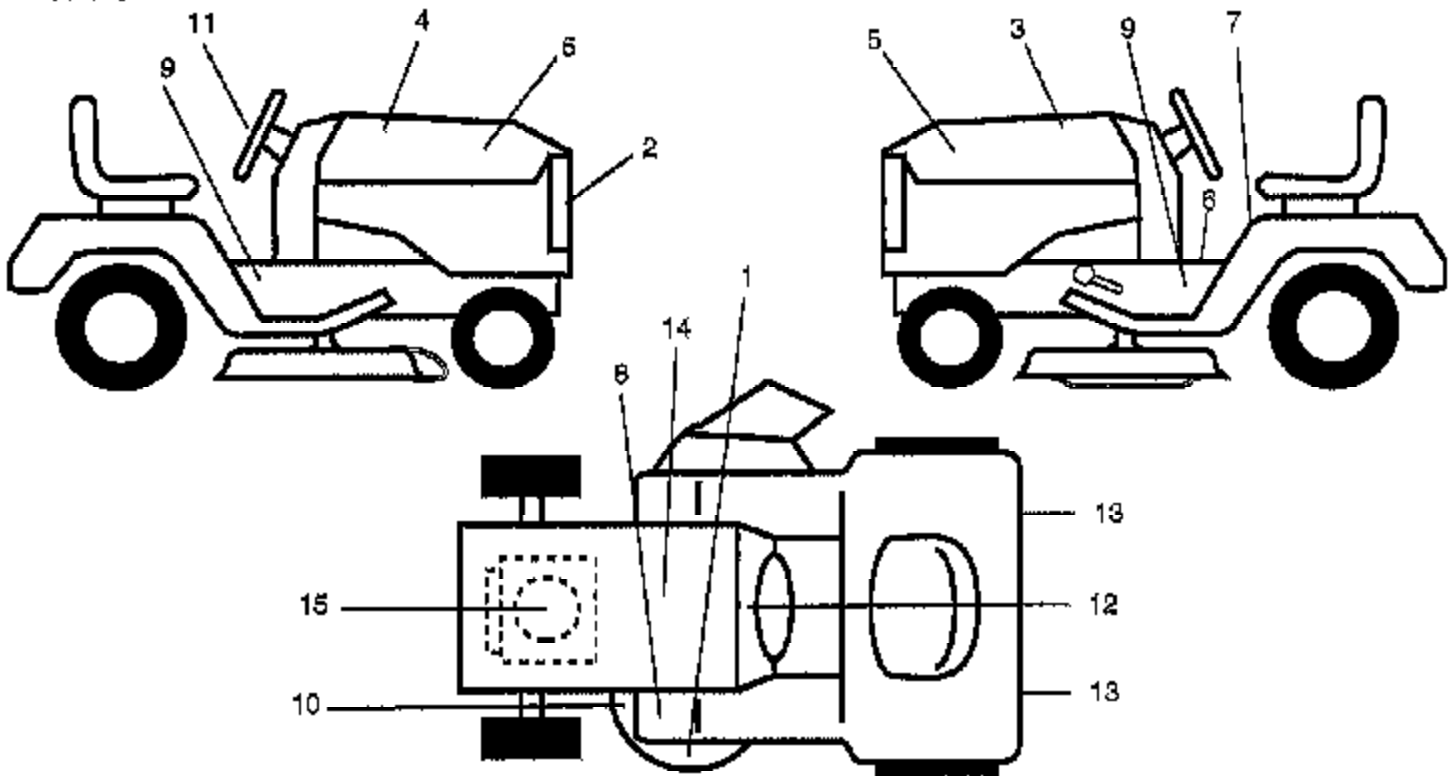


| Ref # | Part Number | Qty | Description |
|-------|-------------|-----|---------------------|
| 1 | 159530 | | CHASSIS ASM |
| 2 | 140356 | | SUB= 145009 |
| 3 | 17490612 | | SCREW |
| 6 | 155923 | | SADDLE |
| 8 | 126471X | | "CLIP,INSULATOR" |
| 9 | 140398 | | DASHBOARD BLACK |
| 10 | 72140608 | | SUB= 72110608 |
| 11 | 145218 | | PANEL.DASH.LH. |
| 13 | 145219 | | PANEL.DASH.RH. |
| 15 | 74180512 | | SCREW |
| 16 | 73510500 | | NUT |
| 17 | 150301X424 | | HOOD.PNT. |
| 24 | 74780616 | | BOLT |
| 25 | 19131312 | | WASHER |
| 26 | 73800600 | | NUT |
| 27 | 17030814 | | SUB= 91817030814 |
| 28 | 150196 | | GRILLE ASM PNT |
| 29 | 146459 | | LENS.BAR.CLEAR |
| 30 | 147310X424 | | FENDER PNT |
| 31 | 139976 | | BRACKET SUPT FEND |
| 33 | 145244X424 | | FOOTREST.LH.LT/GT |
| 34 | 145243X424 | | FOOTREST.RH.LT/GT |
| 35 | 72110606 | | BOLT |
| 36 | 108067X | | PAL NUT LT |
| 38 | 139886 | | BRACKET ASM LH |
| 39 | 139887 | | BRACKET ASM RH |
| 40 | 139977 | | SPACER FENDER LT |
| 43 | 17490616 | | SCREW GTV |
| 45 | 147717 | | BEZEL.ASM. |
| 50 | 145205 | | DASH.SUPT.YP/HUSQ |
| 59 | 110436X | | SUB= 9151R |
| 56 | 150271 | | EXT DASH LTYT |
| 64 | 150272 | | DASH.LOWER.LT |
| 66 | 156286X010 | | "PLATE DASH,SLKSCR" |
| 67 | 19111116 | | WASHER |
| 71 | 73680400 | | SUB= 73690400 |
| 72 | 144916X424 | | STRAP.GRILLE.424 |
| 73 | 17580408 | | SCREW CRT |
| 77 | 74191008 | | SCREW |
| 79 | 2029J | | WELDNUT |
| 80 | 109808X | | HOOD LATCH T |
| 82 | 74981020 | | SCREW |
| 83 | 7206J | | SPACER LT |
| 85 | 73731000 | | NUT |
| 86 | 150432X424 | | PANEL.SIDE.RH |
| 87 | 150431X424 | | PANEL.SIDE.LH |
| 90 | 19091216 | | WASHER PM |
| 91 | 73220400 | | SUB= 50675 |
| 92 | 10040400 | | LOCKWASHER |
| 135 | 74291006 | | SCREW.10-24X3/8. |
| 136 | 60867 | | ACORN NUT RB |
| 137 | 110356X | | SNAP CAP LT |
| 138 | 110357X | | WASHER LT |
| 139 | 150195 | | BKT.SPT.HOOD/PANL |
| 140 | 158418 | | BRKT SUSPENSION |
| 145 | 156524 | | "ROD POVOT,CHASSIS" |
| 147 | 74760412 | | BOLT LT |
| | | | CONFLICT W/PART # |

| Ref # | Part Number | Qty | Description |
|-------|-------------|-----|-------------|
| | 8022J | | PLUG-DASH T |

TRACTOR - - MODEL NUMBER 3421H-74A

DECALS

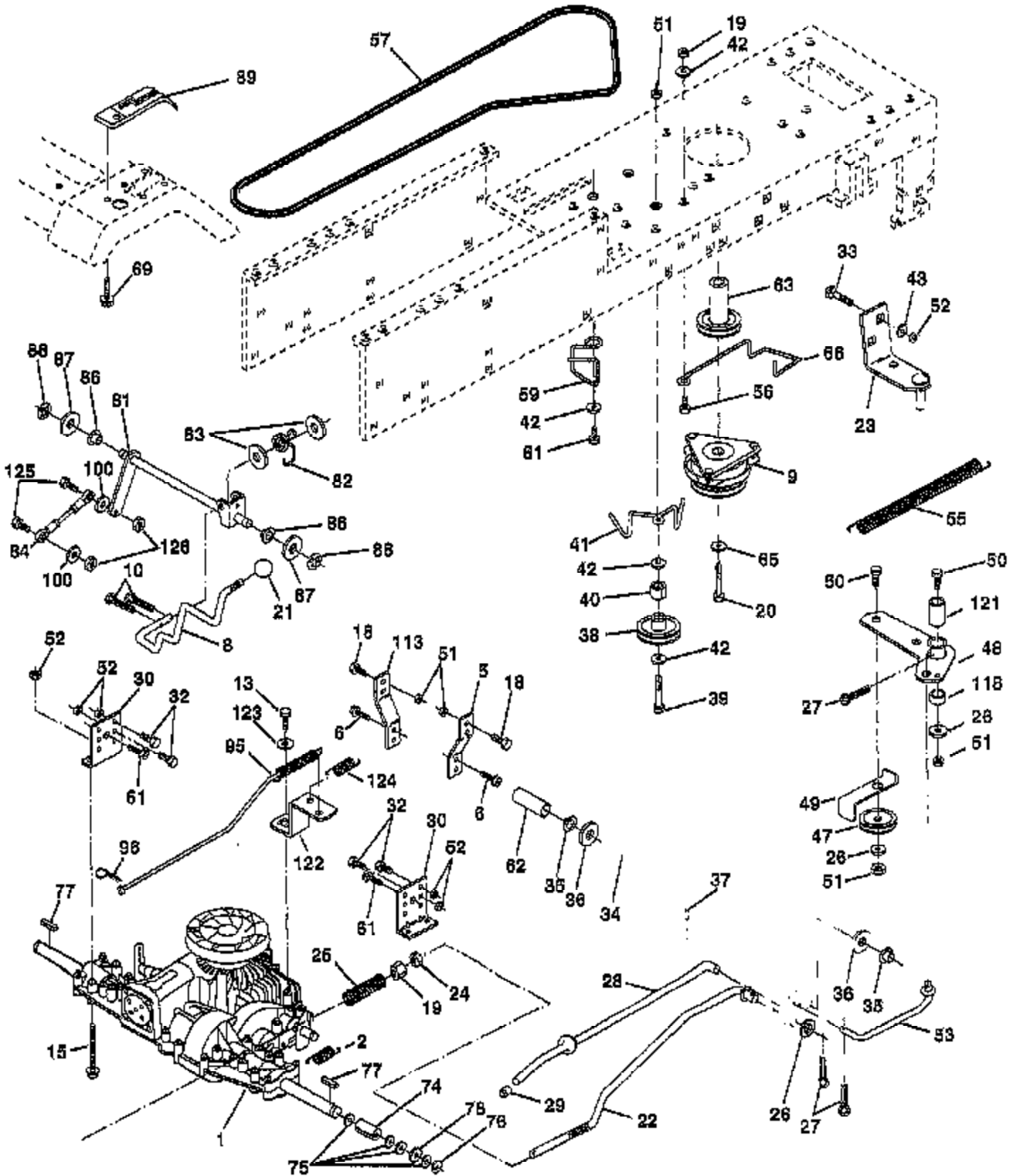


NOTE: All component dimensions given in U.S. inches
1 inch = 25.4 mm

| Ref # | Part Number | Qty | Description |
|-------|-------------|-----|---------------------|
| 1 | 135013 | | NLA |
| 2 | 135341 | | GRILL DECAL |
| 3 | 159368 | | "DECAL.HOOD,LH" |
| 4 | 159367 | | "DECAL HOOD,RH" |
| 5 | 135062 | | NAMEPLATE LOGO |
| 6 | 140837 | | DECAL BRAK PARK |
| 7 | 157002 | | "DECAL DANGER,FEND" |
| 8 | 4900J | | DECAL T |
| 9 | 159373 | | DECAL-CHASSIS |
| 10 | 136832 | | DECAL |
| 11 | 135619 | | NLA |
| 12 | 156835 | | "DECAL-INST,OPER" |
| 13 | 106202X | | REFLECTOR-TAIL YT |
| 14 | 145005 | | DECAL.BATRY.3-3908 |
| 15 | 273286 | | DECAL, HP ENGINE |
| | 133671 | | FOOTREST PAD |
| | 138311 | | DECAL HANDLE LIFT |
| | 142341 | | DECAL DRAWBAR LH |
| | 158124 | | MANUAL.GENERIC.42 |
| | 160244 | | MANUAL.P.3421H74A |
| | LC05 | | WHEEL WTS. |
| | LBD48 | | SNOW BLADE |
| | LSB42 | | SNOW THROWER |
| | C42 | | GRASS CATCHER |
| | CH208 | | TIRE CHAINS |
| | MK42 | | MULCH KIT W/BLADES |

TRACTOR - - MODEL NUMBER 3421H-74A

DRIVE

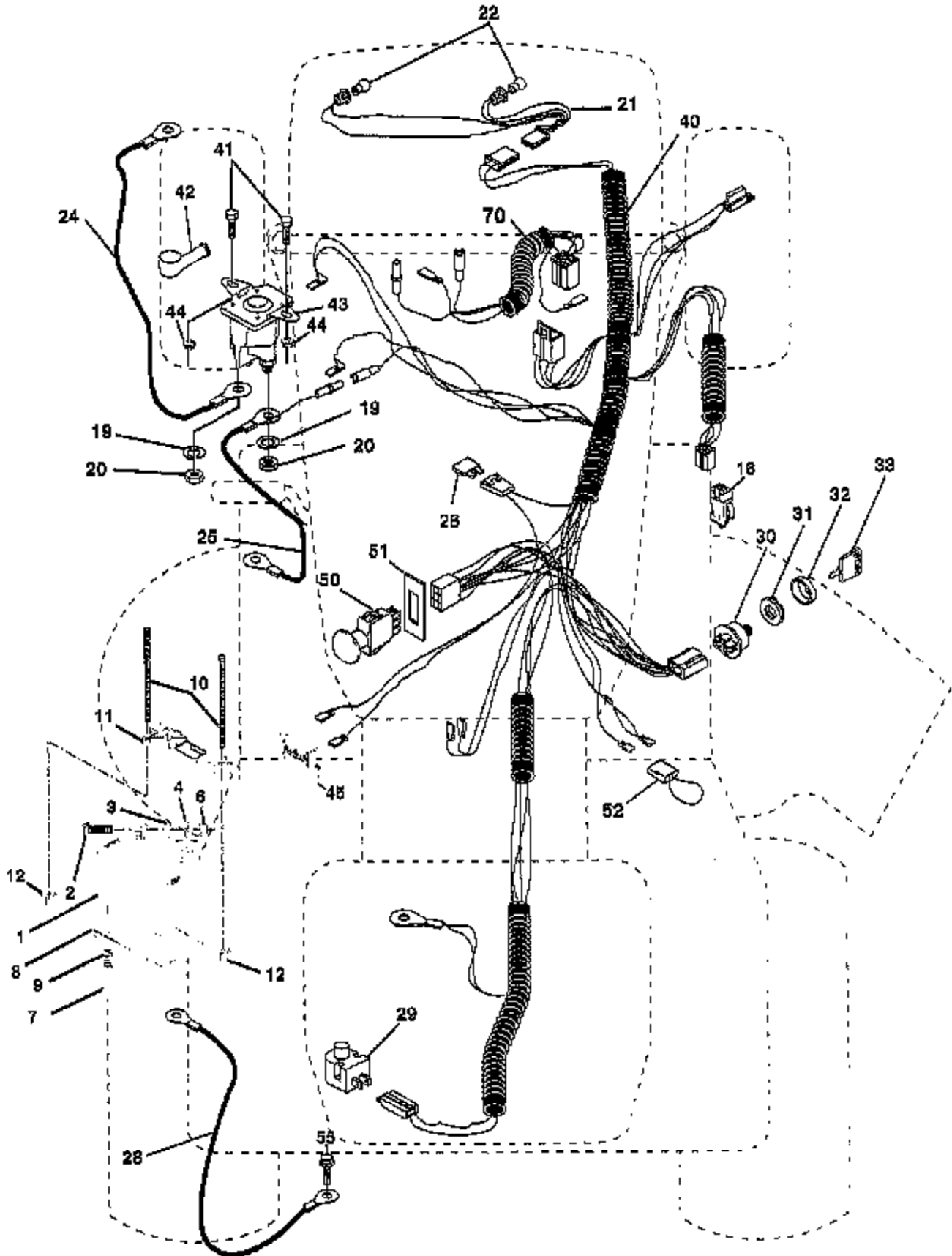


| Ref # | Part Number | Qty | Description |
|-------|-------------|-----|---------------------|
| 1 | 205-026B | | TRANSAXLE, PEERLESS |
| 2 | 146682 | | SPRING.BRAKE.RETU |
| 5 | 121520X | | STRAP TORQUE |
| 6 | 17490512 | | SCREW |
| 8 | 141003 | | ROD SHIFT FEND LT |
| 9 | 137140 | | SUB= 142600 |
| 10 | 76020416 | | PIN COTTER 1/8 |
| 13 | 74550412 | | BOLT.1/4-28.W/PAT |
| 15 | 74490544 | | BOLT.HX.FLG.5/16 |
| 17 | 126197X | | WASHER |
| 18 | 74780616 | | BOLT |
| 19 | 73800600 | | NUT |
| 20 | 150280 | | BOLT.7/16-20X4.25 |
| 21 | 106933X | | KNOB T (1/2-HOLE) |
| 22 | 130804 | | BRAKE ROD |
| 23 | 137141 | | BRACKET.ASM.MTG |
| 24 | 73350600 | | NUT |
| 25 | 106888X | | SPRING ROD LT |
| 26 | 19131316 | | WASHER |
| 27 | 76020412 | | COTTER PIN |
| 28 | 145204 | | ROD.BRAKE.PARK.LT |
| 29 | 71673 | | PLUNGER CAP T |
| 30 | 130807 | | TRANSAXLE MTG BKT |
| 32 | 74760512 | | BOLT |
| 33 | 72140506 | | BOLT |
| 34 | 155071 | | SHAFT ASM-PEDAL F |
| 35 | 120183X | | NYLON BEARING |
| 36 | 19211616 | | WASHER LT |
| 37 | 1572H | | SUB= 2882J |
| 38 | 123674X | | PULLEY.IDLER.FLAT |
| 39 | 74760644 | | BOLT |
| 40 | 4470J | | SPACER T |
| 41 | 154777 | | SUB= 165692 |
| 42 | 19131312 | | WASHER |
| 43 | 19111012 | | WASHER T |
| 47 | 127783 | | SUB= 139245 |
| 48 | 154604 | | BELLCRANK ASM |
| 49 | 123205X | | RETAIN BELT |
| 50 | 74760624 | | SUB= 74930624 |
| 51 | 73680600 | | SUB= 73690600 |
| 52 | 73680500 | | SUB= 73690500 |
| 53 | 105710X | | "LINK, CLUTCH T" |
| 55 | 105709X | | "SPRING, RETURN LT" |
| 56 | 74760620 | | SUB= 74780620 |
| 57 | 156971 | | "V-BELT,GRD DRIVE" |
| 59 | 140312 | | KEEPER BELT CNTSP |
| 61 | 17490612 | | SCREW |
| 62 | 8883R | | PEDAL COVER T |
| 63 | 140189 | | PULLEY CLU ELEC |
| 65 | 10040700 | | LOCKWASHER |
| 66 | 154778 | | KEEPER-BELT |
| 69 | 142432 | | SCREW HEXWSH H-L |
| 74 | 156972 | | "SPACER AXLE,PVST" |
| 75 | 121749X | | WASHER |
| 76 | 12000001 | | E-RING LT |
| 77 | 123583X | | SQUARE KEY |
| 78 | 121748X | | WASHER |
| 81 | 156969 | | SHAFT ASM CROSS |

| Ref # | Part Number | Qty | Description |
|-------|-------------|-----|---------------------|
| 82 | 123782X | | "SPRING,TORSION" |
| 83 | 19171216 | | WASHER |
| 84 | 156962 | | "ROD TIE, PVST 20"" |
| 86 | 71208 | | BUSHING |
| 87 | 19212016 | | WASHER D |
| 88 | 12000008 | | KLIP RING |
| 89 | 151147 | | SUB= 164893 |
| 95 | 156970 | | ROAD ASM BYPASS |
| 96 | 4497H | | RETAINER M |
| 100 | 19111216 | | WASHER M |
| 113 | 127285X | | "STRAP,TORQUE" |
| 118 | 154774 | | SPACER-BELLCRANK |
| 121 | 154419 | | NYLINER-CLUTCHING |
| 122 | 156963 | | "PLATE-BYPASS,PVST" |
| 123 | 19081016 | | WASHER |
| 124 | 156967 | | SPRING RETURN |
| 125 | 74780516 | | SUB= 77394 |
| 126 | 1685H | | SUB= 68478 |

TRACTOR - - MODEL NUMBER 3421H-74A

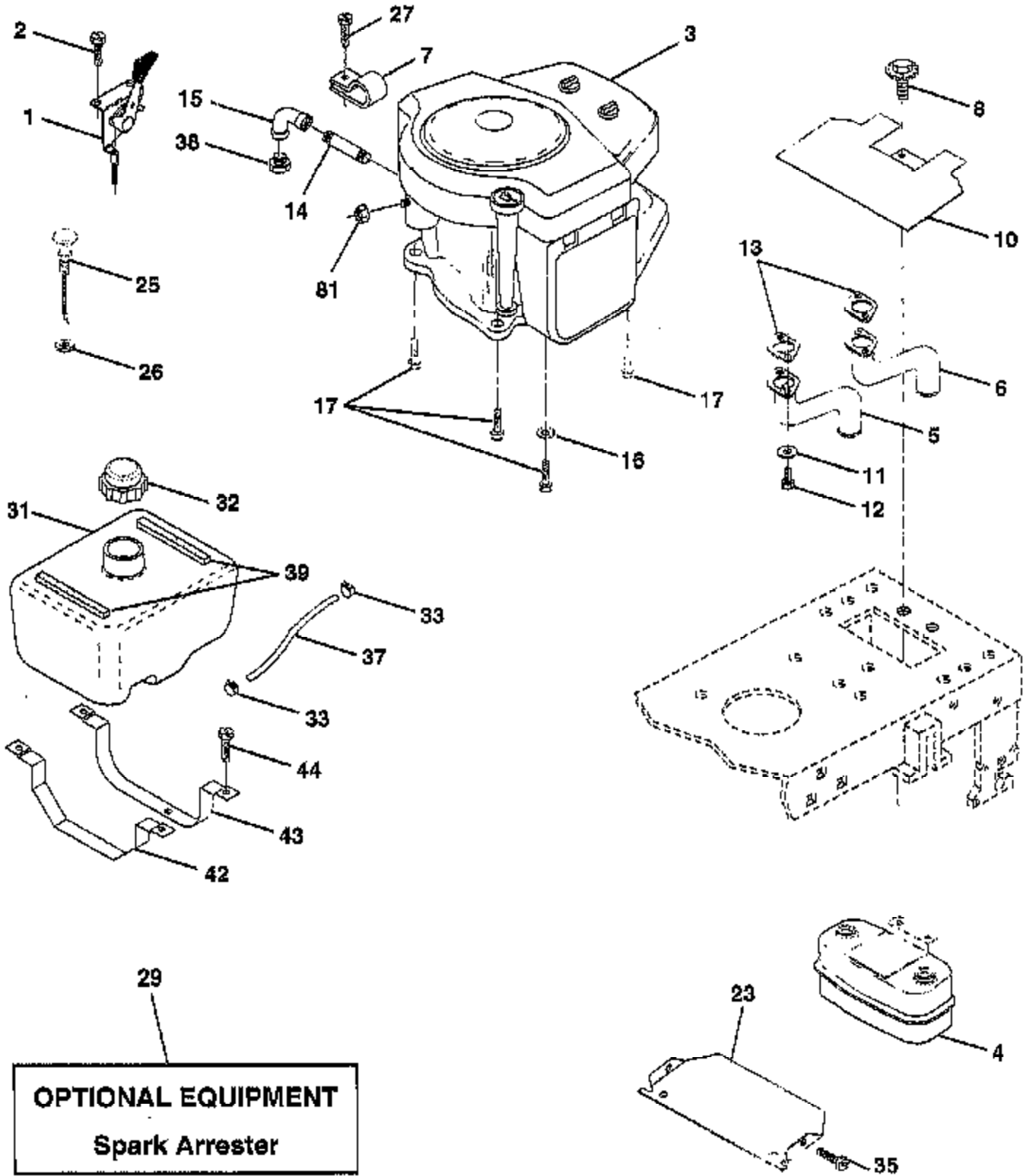
ELECTRICAL



| Ref # | Part Number | Qty | Description |
|-------|-------------|-----|--------------------|
| 1 | 144925 | | SUB= 123899X |
| 2 | 74760412 | | BOLT LT |
| 3 | 19091016 | | WASHER |
| 4 | 10040400 | | LOCKWASHER |
| 6 | 73220400 | | SUB= 50675 |
| 7 | 7697J | | "DRAIN TU T, BATT" |
| 8 | 7603J | | "TRAY T, BATTERY" |
| 9 | 109596X | | HOSE CLAMP T |
| 10 | 145211 | | SUB= 150177 |
| 11 | 150109 | | HOLDDOWN BATTERY |
| 12 | 145769 | | SUB= 150177 |
| 16 | 153664 | | SWITCH INTERLOCK |
| 19 | 10090400 | | SUB= 10040400 |
| 20 | 73350400 | | NUT |
| 21 | 136850 | | "HARNES,LIGHT SOC" |
| 22 | 4152J | | HEADLAMP BULB |
| 24 | 146148 | | CABLE.6GA.22W/16W |
| 25 | 4799J | | "CABLE T, BATTERY" |
| 26 | 108824X | | FUSE HYT |
| 28 | 145491 | | CABLE.GRND.6GA.21 |
| 29 | 121305X | | SWITCH SEAT |
| 30 | 140301 | | SWITCH IGN 4POS |
| 31 | 124211X | | NUT IGNITION |
| 32 | 141226 | | COVER KEY SWITCH |
| 33 | 122147X | | KEY |
| 40 | 156153 | | HARNES IGNITION |
| 41 | 71110408 | | BOLT HXHD FIN |
| 42 | 131563 | | SUB= 154336 |
| 43 | 145673 | | SUB= 146154 |
| 44 | 73640400 | | NUT HXKEP 1/4X20 |
| 45 | 122822X | | AMMETER |
| 50 | 154959 | | PTO SWITCH.BLK |
| 51 | 140405 | | RING RETAIN PTO |
| 52 | 141940 | | PROTECTION LOOP |
| 55 | 17490508 | | SCREW LT |
| 70 | 143906 | | HARNES ENG B&S |

TRACTOR - - MODEL NUMBER 3421H-74A

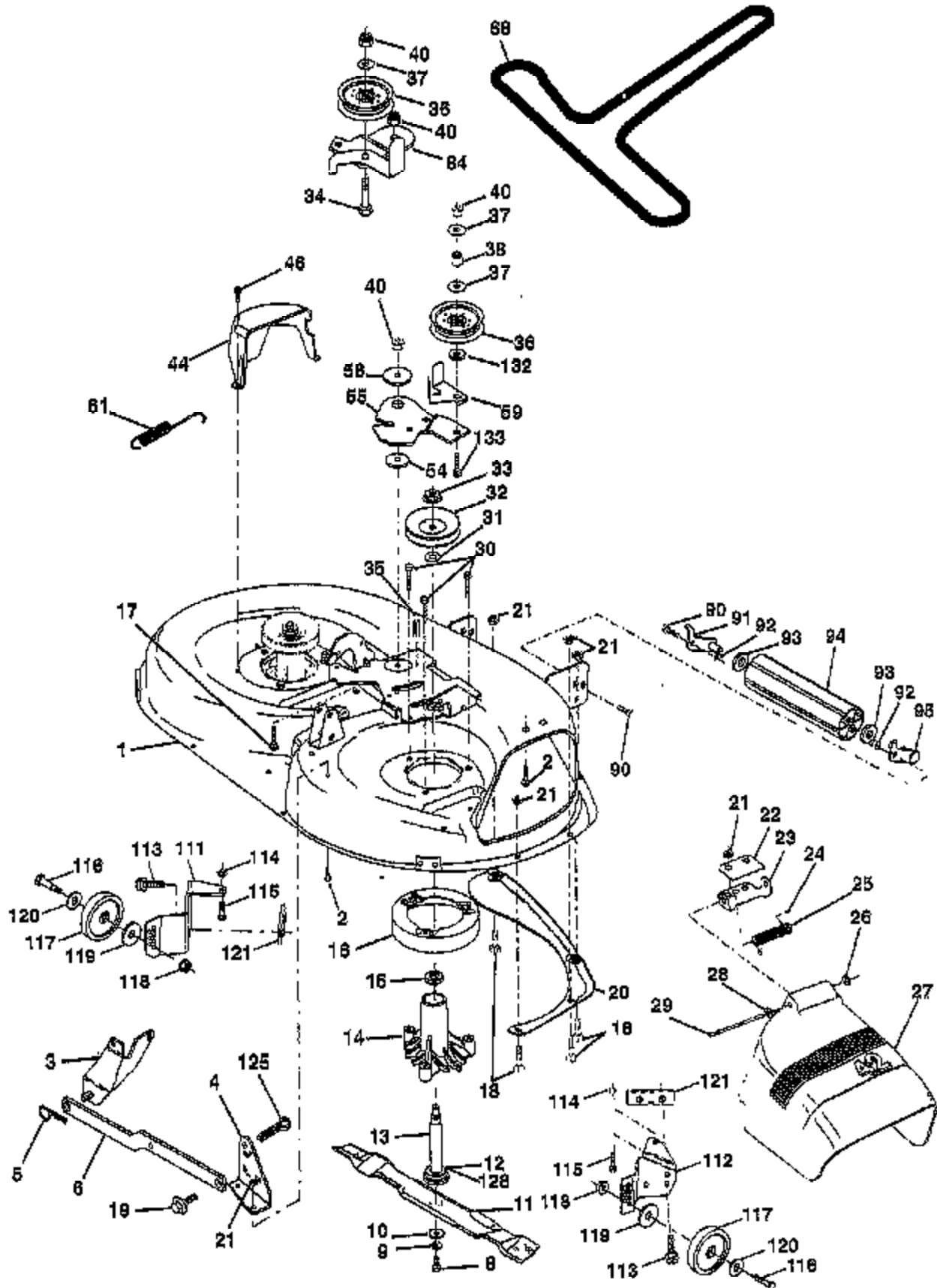
ENGINE



| Ref # | Part Number | Qty | Description |
|-------|-------------|-----|---------------------|
| 1 | 132748 | | SUB= 532132748 |
| 2 | 17720410 | | SCREW LT |
| 3 | 42A777 | | ENGINE |
| 4 | 149723 | | MUFFLER.TW.LOTONE |
| 5 | 144069 | | EXHAUST.B&S.18.LH |
| 6 | 144068 | | EXHAUST.B&S.18.RH |
| 7 | 138129 | | CLAMP.TUBE.DBL.EN |
| 8 | 150176 | | BOLT.5/16-18.UNC |
| 10 | 145552 | | SHIELD.HEAT. |
| 11 | | | CHECK WITH SUPPLIER |
| 12 | | | CHECK WITH SUPPLIER |
| 13 | | | CHECK WITH SUPPLIER |
| 14 | 13280336 | | PIPE NIPPLE LT |
| 15 | 13200300 | | ELBOW |
| 16 | 11050600 | | LOCKWASHER |
| 17 | 17490624 | | SCREW LT |
| 23 | 156123 | | SHIELD-HEAT |
| 25 | 138672 | | "CONTROL.CHOKE.51"" |
| 26 | 73920600 | | "NUT,KEPS 3/8-24IM" |
| 27 | 152927 | | "SCREW-TT,10-32 FL" |
| 29 | 137180 | | SUB= 532137180 |
| 31 | 141291 | | TANK FUEL 1.9 NAT |
| 32 | 140527 | | CAP ASM FUEL |
| 33 | 123487X | | HOSE CLAMP |
| 35 | 17490512 | | SCREW |
| 37 | 7833R | | HOSE T |
| 38 | | | CHECK WITH SUPPLIER |
| 39 | 126564X | | "STRIP,FORM" |
| 42 | 140020 | | STRAP TANK FUEL |
| 43 | 140019 | | STRAP TANK FRONT |
| 44 | 17490612 | | SCREW |
| 81 | 128861 | | NUT |

TRACTOR - - MODEL NUMBER 3421H-74A

MOWER DECK

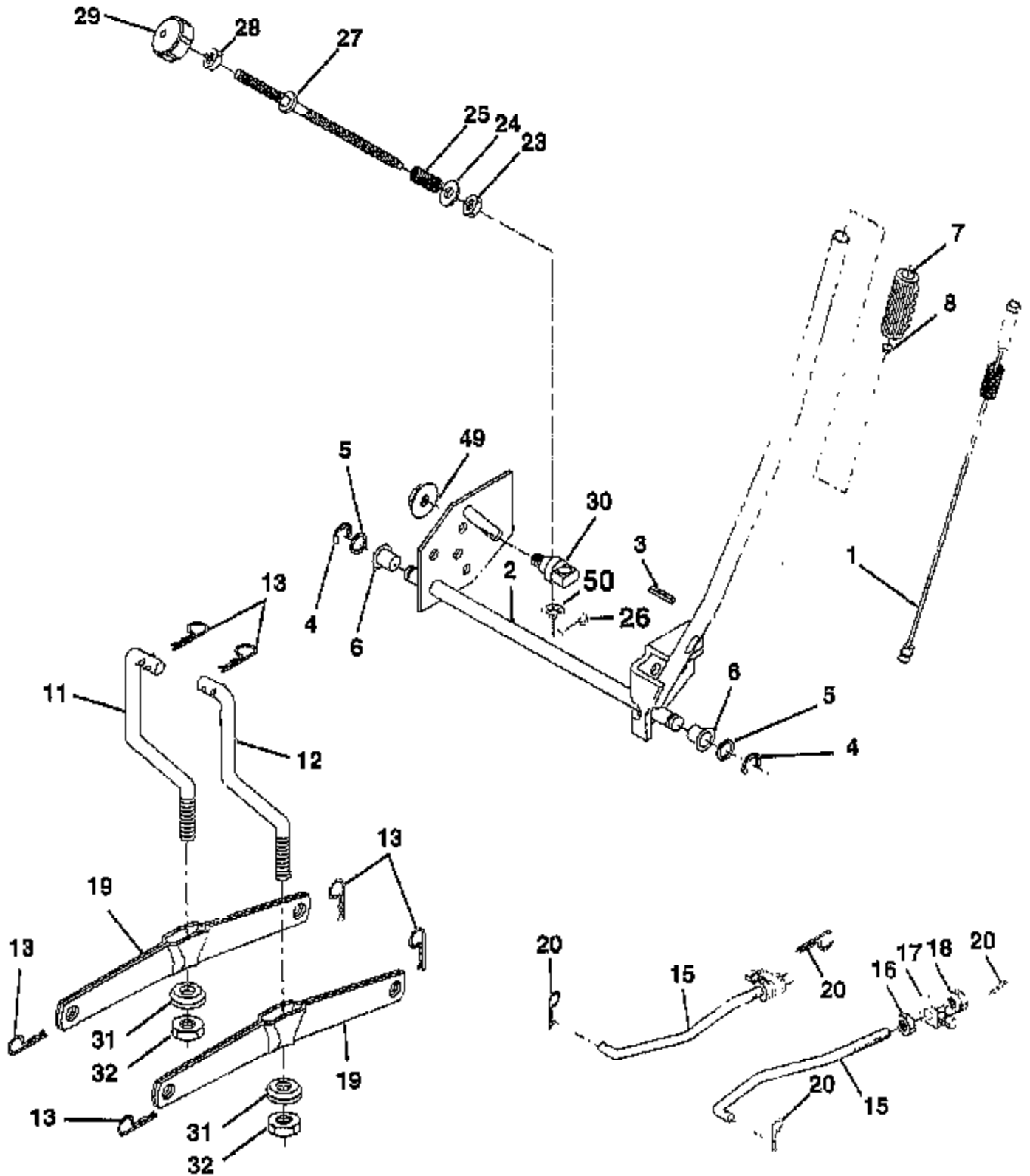


| Ref # | Part Number | Qty | Description |
|-------|-------------|-----|---------------------|
| 1 | 144393 | | DECK.WELD.42. |
| 2 | 72140506 | | BOLT |
| 3 | 138017 | | BRKT ASM SWAY BAR |
| 4 | 138440 | | BRKT DECK SW BAR |
| 5 | 4939M | | SUB= 85902 |
| 6 | 130832 | | SUB= 130833 |
| 8 | 850857 | | BLADE BOLT |
| 9 | 10030600 | | SUB= 10040600 |
| 10 | 140296 | | WASHER.HARD.BLADE |
| 11 | 138498 | | "BLADE.42"" HIPERF" |
| 12 | 129895 | | BEARING.BALL |
| 13 | 137645 | | SUB= 137646 |
| 14 | 128774 | | HSG ASM MANDREL |
| 15 | 110485X | | BEARING |
| 16 | 140329 | | STRIPPER RND MWR |
| 17 | 72110618 | | BOLT CARRIAGE |
| 18 | 72140505 | | BOLT |
| 19 | 132827 | | BOLT SHD 5/16-18 |
| 20 | 136888 | | SUB= 918136888 |
| 21 | 73680500 | | SUB= 73690500 |
| 22 | 134753 | | STIFFENER BRKT |
| 23 | 131267 | | DEFLECTOR BRKT |
| 24 | 105304X | | CAP-SLEEVE LT |
| 25 | 123713X | | SPRING TORSION |
| 26 | 110452X | | NUT PUSH M |
| 27 | 130968 | | DEFLECTOR.SHIELD |
| 28 | 19111016 | | WASHER |
| 29 | 131491 | | HINGE ROD |
| 30 | 138776 | | SUB= 157722 |
| 31 | 129963 | | WASHER |
| 32 | 153535 | | PULLEY.MANDREL.42 |
| 33 | 137266 | | SUB= 139729 |
| 34 | 72110614 | | BOLT |
| 35 | 133835 | | XMAS TREE FASTNER |
| 36 | 131494 | | FLAT IDLER PULLEY |
| 37 | 19131316 | | WASHER |
| 38 | 132823 | | SUB= 532132823 |
| 40 | 73680600 | | SUB= 73690600 |
| 44 | 140088 | | GUARD MAND LH BLK |
| 46 | 137729 | | SCREW.1/4-20X5/8 |
| 54 | 133943 | | HARDENED WASHER |
| 55 | 140084 | | SUB= 151785 |
| 56 | 122052X | | SPACER RETAINER |
| 59 | 141043 | | GUARD IDLER TUV |
| 61 | 131950 | | SPRING.EXTENSION |
| 68 | 144959 | | BELT-V.SEC.46.KEL |
| 84 | 158824 | | BRACKET ASM IDLER |
| 90 | 74760616 | | BOLT |
| 91 | 132274 | | SUB= 532132274 |
| 92 | 73800600 | | NUT |
| 93 | 19171416 | | WASHER |
| 94 | 132264 | | SUB= 532132264 |
| 95 | 132273 | | SUB= 532132273 |
| 111 | 155197 | | BRACKET.GWHL.LH. |
| 112 | 155198 | | BRACKET.GWHL.RH. |
| 113 | 17490512 | | SCREW |
| 114 | 73510500 | | NUT |
| 115 | 72110504 | | SUB= 872110504 |

| Ref # | Part Number | Qty | Description |
|-------|-------------|-----|-------------------|
| 116 | 4898H | | BOLT M |
| 117 | 105455X | | WHEEL.GAGE.BLK.PL |
| 118 | 73930600 | | LOCKNUT |
| 119 | 19121414 | | WASHER |
| 120 | 19171512 | | WASHER |
| 121 | 143723 | | BRACKET.EXTRD.GWL |
| 125 | | | REFER TO IMAGE |
| 128 | 153390 | | WASHER.FELT. |
| 132 | 19132203 | | WASHER GT |
| 133 | 72110622 | | BOLT |
| | 130794 | | MANDREL ASM |
| | 159483 | | SUB= 164964 |

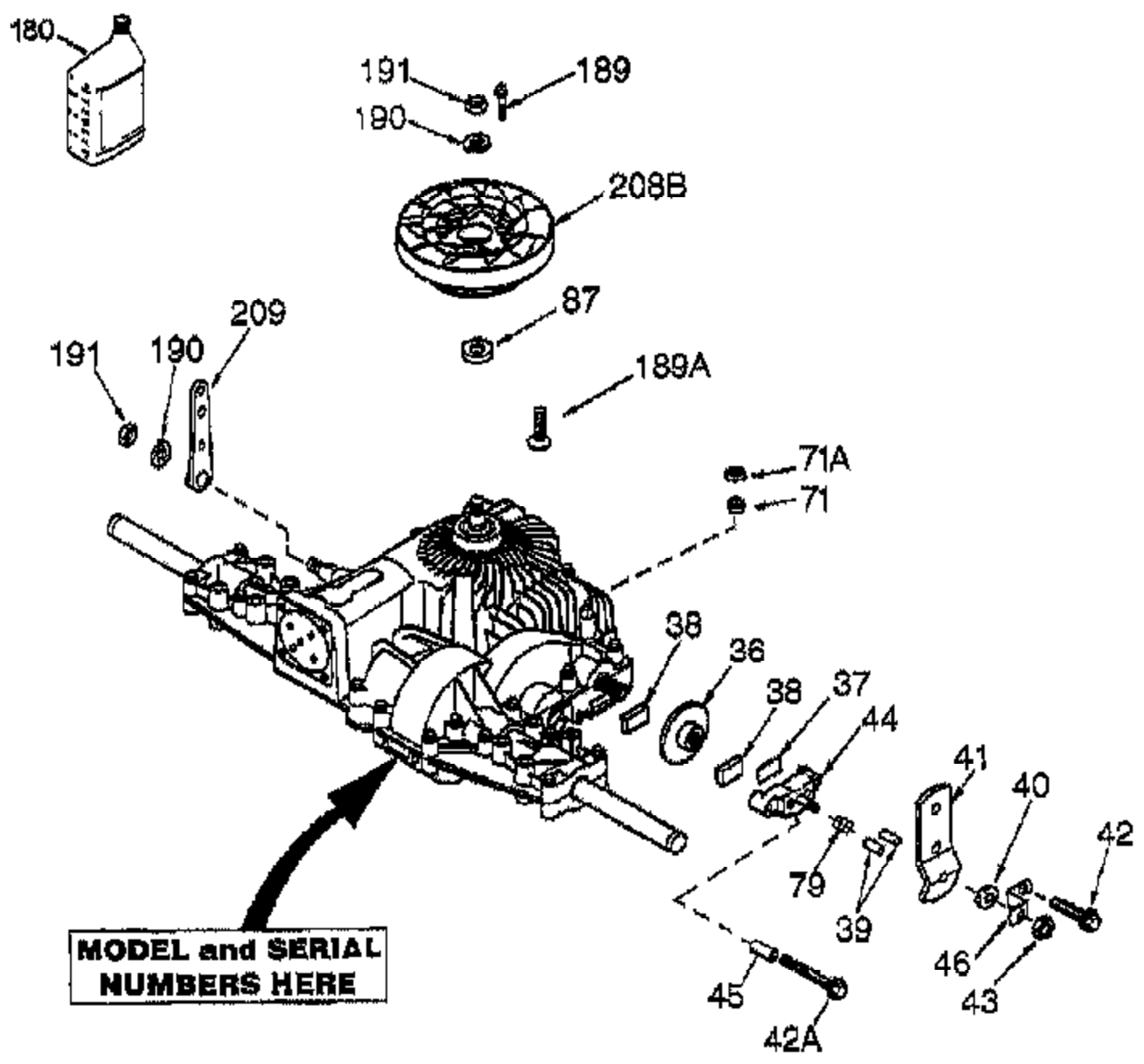
TRACTOR -- MODEL NUMBER 3421H-74A

MOWER LIFT



| Ref # | Part Number | Qty | Description |
|-------|-------------|-----|---------------------|
| 1 | 159461 | | WIRE.ASM.INNER.SP |
| 2 | 159476 | | "SHAFT AMS LIFT,RH" |
| 3 | 138284 | | PIN GROOVE |
| 4 | 12000002 | | SUB= 2225J |
| 5 | 19211621 | | WASHER |
| 6 | 120183X | | NYLON BEARING |
| 7 | 109413X | | GRIP |
| 8 | 124526X | | SUB= 125925X |
| 11 | 139865 | | SUB= 918139865 |
| 12 | 139866 | | SUB= 151140 |
| 13 | 4939M | | SUB= 85902 |
| 15 | 127218 | | LINK.FRONT |
| 16 | 73350800 | | NUT |
| 17 | 130171 | | TRUNION |
| 18 | 73800800 | | NUT.LK.W/WSH.1/2. |
| 19 | 139868 | | ARM SUSP REAR |
| 20 | 3146R | | RETAINER.SPRING |
| 23 | 110807X | | NUT T |
| 24 | 19131016 | | WASHER |
| 25 | 137150 | | SPRING.COMP.INF.H |
| 26 | 76020308 | | SUB= 3145 |
| 27 | 137167 | | ROD.ADJ.LIFT |
| 28 | 73350600 | | NUT |
| 29 | 138057 | | KNOB INF 3/8-16 |
| 30 | 150233 | | TRUNNION |
| 31 | 140302 | | BEARING PVT LH |
| 32 | 73540600 | | NUT.CROWNLOCK.3/8 |
| 49 | 145212 | | NUT.HXFLG.LOCK. |
| 50 | 110452X | | NUT PUSH M |

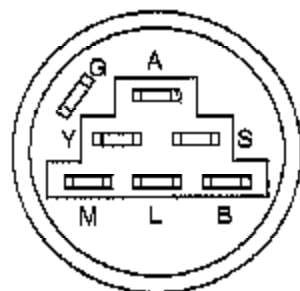
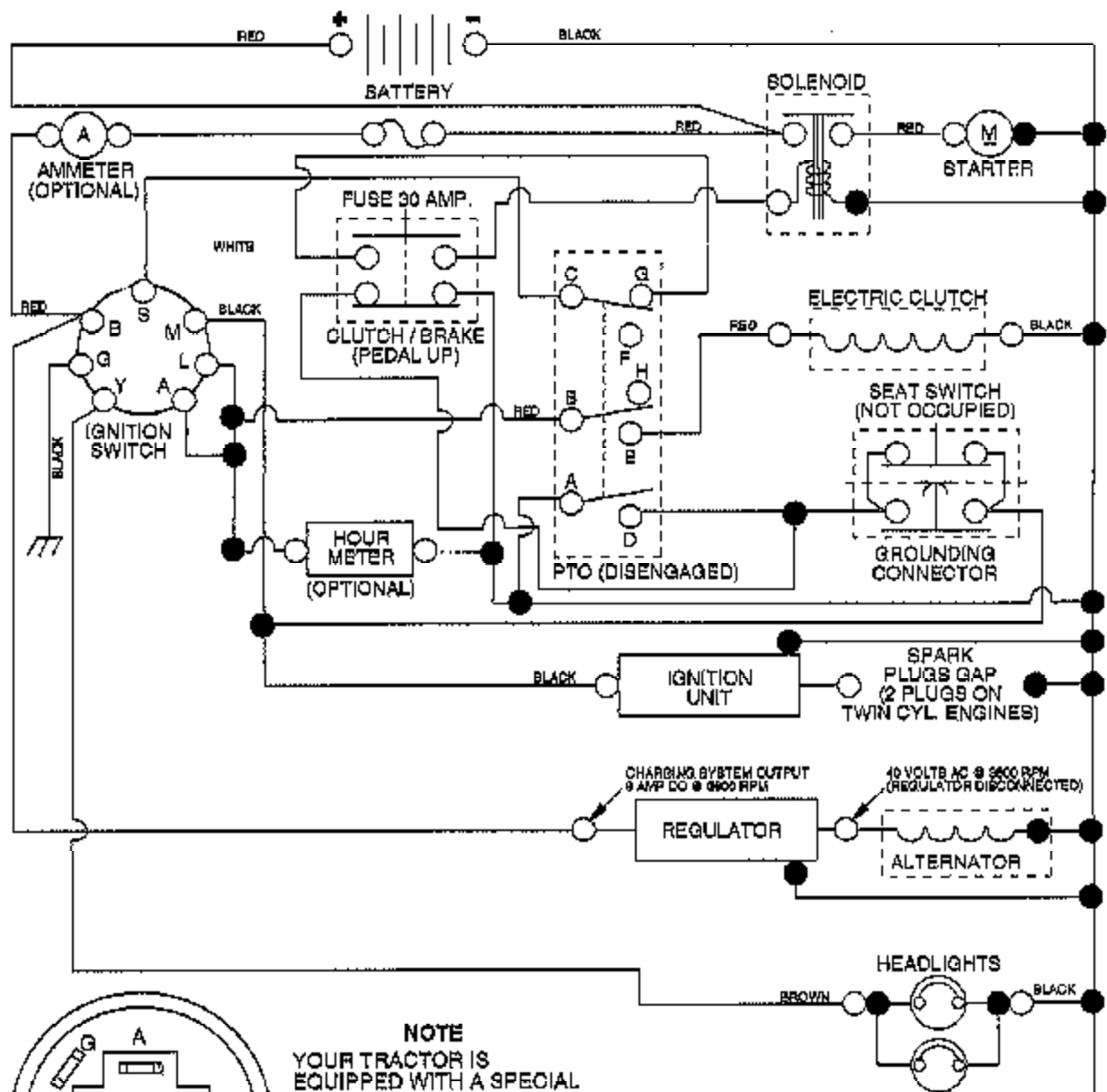
TRACTOR - - MODEL NUMBER 3421H-74A PEERLESS TRANSAXLE - MODEL NUMBER 205-026B



| Ref # | Part Number | Qty | Description |
|-------|-------------|-----|-----------------------|
| | 36 790075 | | BRAKE DISC |
| | 37 790007 | | PLATE BRAKE PAD |
| | 38 799021 | | BRAKE PAD |
| | 39 786026 | | PIN DOWEL |
| | 40 792076A | | WASHER |
| | 41 790085 | | BRAKE LEVER |
| | 42 792073 | | SCREW, 1/4-20 X 1-1/4 |
| | 42A 792085A | | SCREW, 1/4-20 X 2-1/4 |
| | 43 792075 | | LOCKNUT 5/16-24 |
| | 44 790025 | | HOLDER BRAKE PAD |
| | 45 786066 | | SPACER |
| | 46 790086 | | BRAKE LEVER BRACKET |
| | 71 788069 | | SEAL SQUARE CUT |
| | 71A 792162 | | PUSHNUT |
| | 79 792144 | | SPRING |
| | 87 788035 | | OIL SEAL |
| | 180 730229A | | GEAR OIL 80W90 |
| | 189 792168 | | DRIVE SCREW |
| | 189A 792169 | | SCREW |
| | 190 792150 | | LOCKWASHER |
| | 191 792151 | | NUT |
| | 208B 798025 | | FAN/COUPLING |
| | 209 798024 | | CONTROL LEVER |

TRACTOR - - MODEL NUMBER 3421H-74A

SCHEMATIC



IGNITION SWITCH

| POSITION | CIRCUIT | "MAKE" |
|-----------|-----------|--------|
| OFF | G + M + L | NONE |
| RUN/LIGHT | B + L | A + Y |
| RUN | B + L | NONE |
| START | B + L + S | NONE |

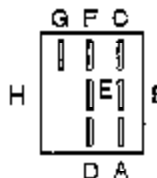
NOTE
YOUR TRACTOR IS EQUIPPED WITH A SPECIAL ALTERNATOR SYSTEM. THE LIGHTS ARE NOT CONNECTED TO THE BATTERY, BUT HAVE THEIR OWN ELECTRICAL SOURCE. BECAUSE OF THIS, THE BRIGHTNESS OF THE LIGHTS WILL CHANGE WITH ENGINE SPEED. AT IDLE THE LIGHTS WILL DIM. AS THE ENGINE IS SPEEDED UP, THE LIGHTS WILL BECOME THEIR BRIGHTEST.

WIRING INSULATED CLIPS

NOTE: IF WIRING INSULATED CLIPS WERE REMOVED FOR SERVICING OF UNIT, THEY SHOULD BE REPLACED TO PROPERLY SECURE YOUR WIRING.

PTO SWITCH

| POSITION | CIRCUIT |
|----------|---------------------|
| OFF | C + G, B + H |
| ON | G + F, B + E, A + D |



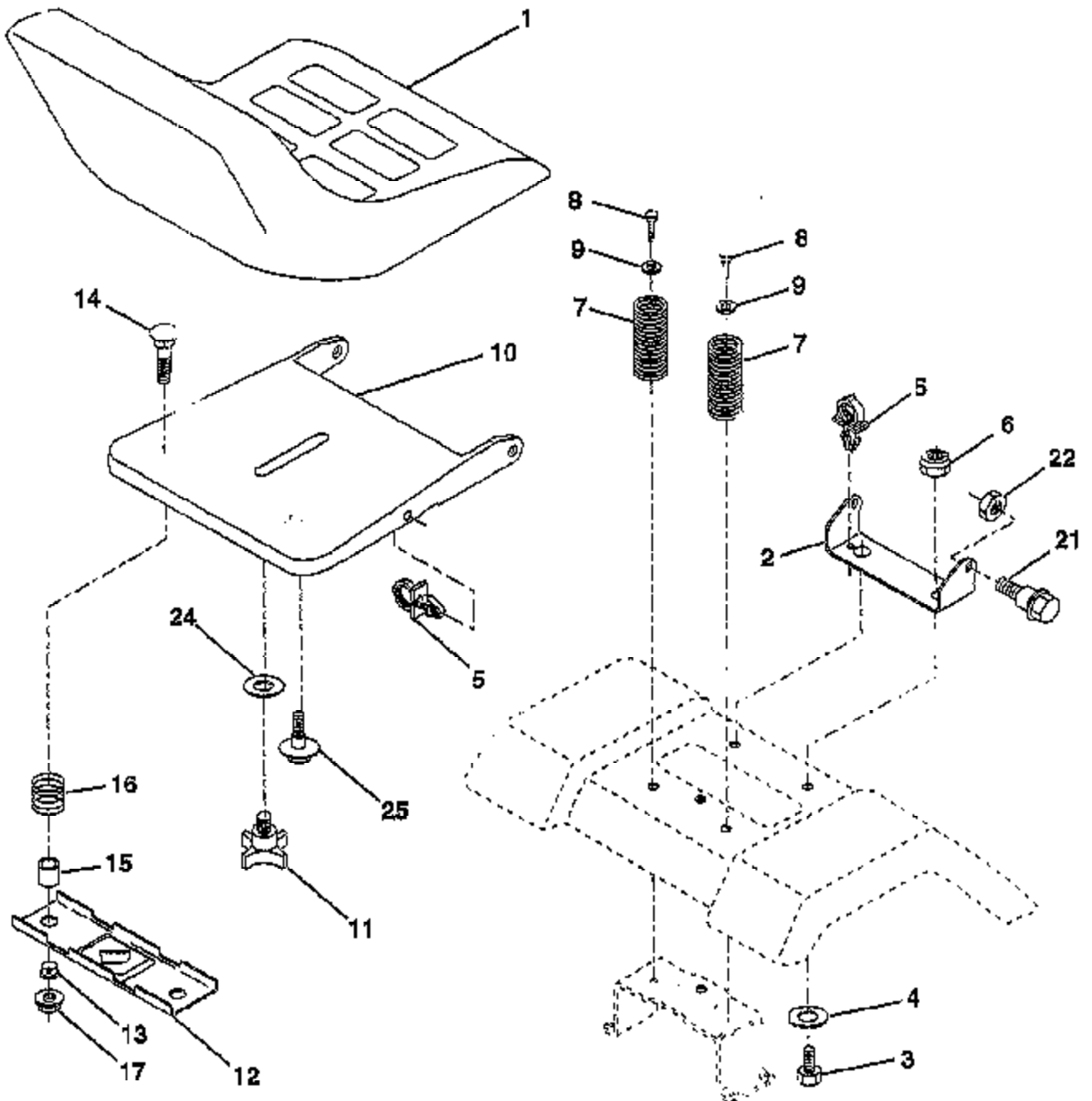
○ REMOVABLE CONNECTIONS

● NON-REMOVABLE CONNECTIONS

| Ref # | Part Number | Qty | Description |
|-------|-------------|-----|----------------|
| | | | REFER TO IMAGE |

TRACTOR - - MODEL NUMBER 3421H-74A

SEAT ASSEMBLY

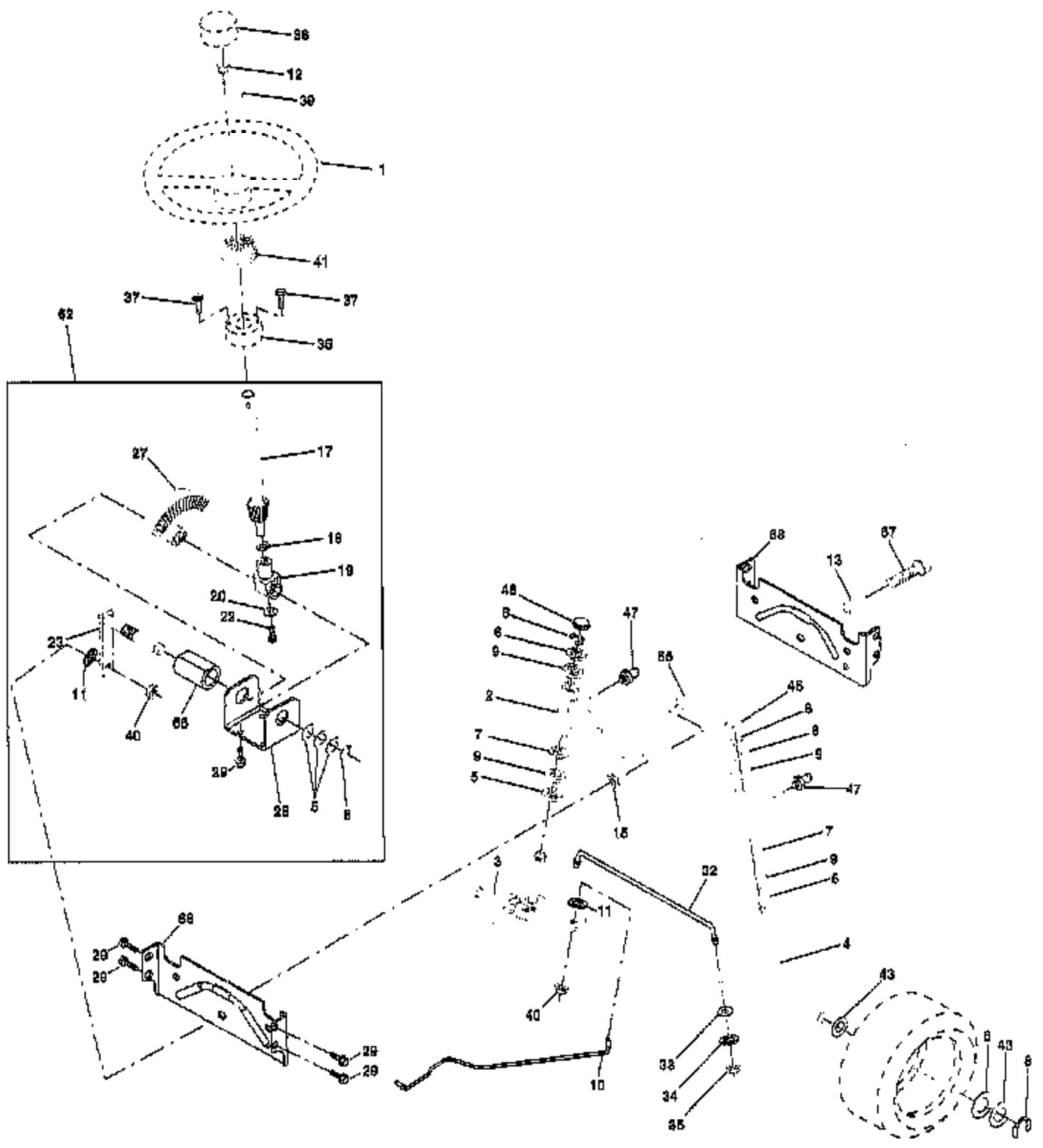


NOTE: All component dimensions given in U.S. inches
1 Inch = 25.4 mm

| Ref # | Part Number | Qty | Description |
|-------|-------------|-----|-------------------|
| 1 | 127429X | | SUB= 140121 |
| 2 | 140551 | | BRACKET PVT SEAT |
| 3 | 74760616 | | BOLT |
| 4 | 19131610 | | WASHER PM |
| 5 | 145006 | | CLIP.PUSH-IN.HING |
| 6 | 73800600 | | NUT |
| 7 | 124181X | | SPRING COMPRESSIO |
| 8 | 17490616 | | SCREW GTV |
| 9 | 19131614 | | WASHER |
| 10 | 155925 | | PAN-SEAT |
| 11 | 120068X | | "KNOB 1/2" YT" |
| 12 | 121246X | | BRKT SWITCH |
| 13 | 121248X | | BUSHING |
| 14 | 72050411 | | SUB= 872050411 |
| 15 | 121249X | | SPACER SPLIT |
| 16 | 123740X | | SPRING COMPRESSED |
| 17 | 123976X | | SUB= 73900400 |
| 21 | 153236 | | "BOLT,SHOULDER" |
| 22 | 73680500 | | SUB= 73690500 |
| 24 | 19171912 | | WASHER |
| 25 | 127018X | | "BOLT,SHOULDER" |

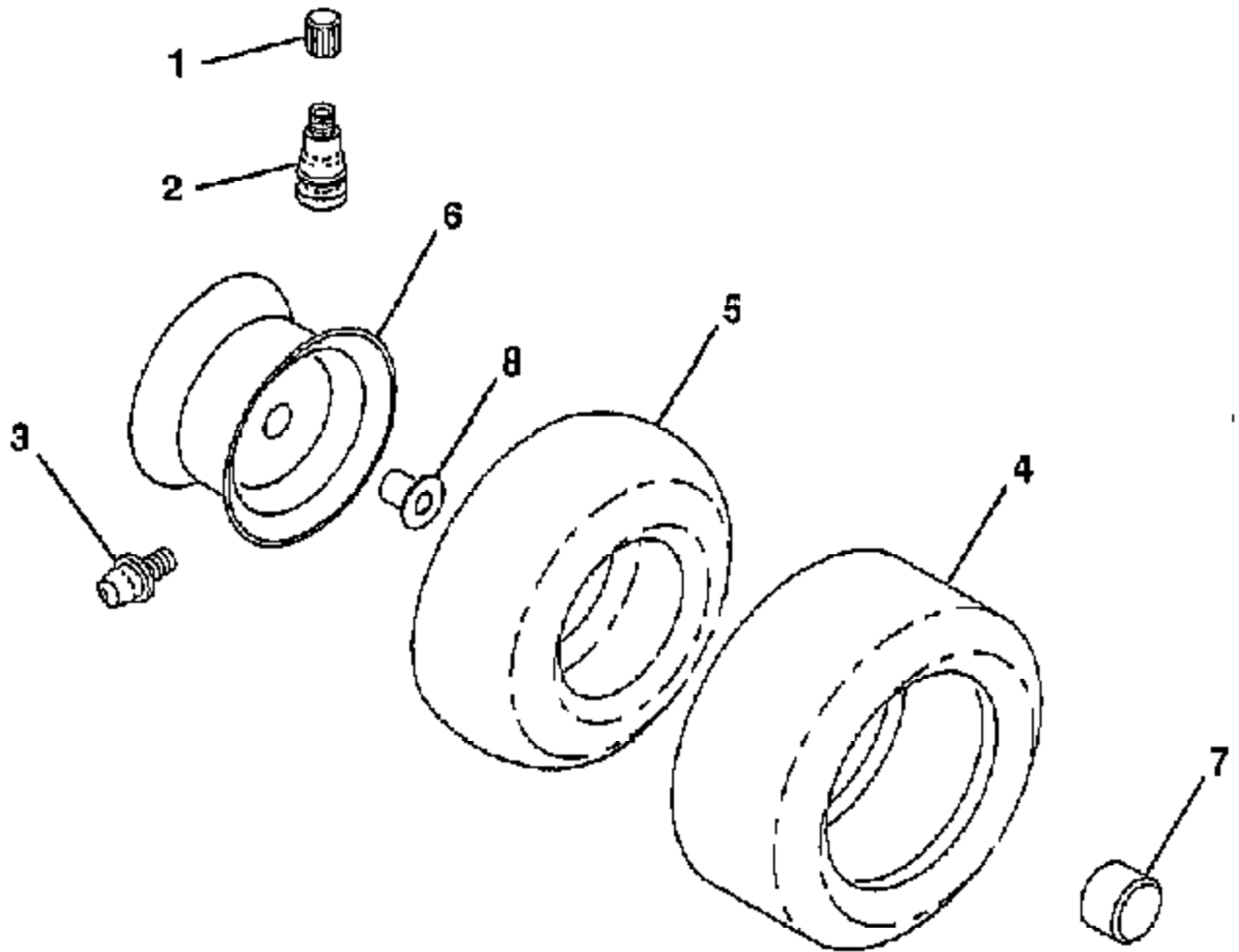
TRACTOR -- MODEL NUMBER 3421H-74A

STEERING ASSEMBLY



| Ref # | Part Number | Qty | Description |
|-------|-------------|-----|---------------------|
| 1 | 121472X | | SUB= 150546 |
| 2 | 154427 | | AXLE ASM |
| 3 | 156483 | | SPINDLE.ASM.LH |
| 4 | | | REFER TO IMAGE |
| 5 | 6266H | | WASHER .T |
| 6 | 121748X | | WASHER |
| 7 | 19272016 | | WASHER |
| 8 | 12000029 | | RING |
| 9 | 3366R | | COL. SRTG. BEAR. |
| 10 | 156438 | | DRAGLINK-STAMPED |
| 11 | 10040600 | | LOCKWASHER |
| 12 | 73940800 | | SUB= 73360800 |
| 13 | 154779 | | BEARING AXLE |
| 15 | 73901000 | | "NUT-LOC,FLANGE LT" |
| 17 | 156543 | | SHAFT ASM STEERNG |
| 18 | 57079 | | THRUST WASHER |
| 19 | 124035X | | SUPPORT.SHAFT |
| 20 | 126684X | | SUB= 532126684 |
| 22 | 71200410 | | SCREW HEX SOC1/4- |
| 23 | 127501 | | SUB= 918127501 |
| 25 | 154406 | | BRKT-STEERING |
| 27 | 136874 | | GEAR SECTOR |
| 29 | 17490612 | | SCREW |
| 32 | 139929 | | ROD.TIE.19.75 |
| 33 | 19111216 | | WASHER M |
| 34 | 10040500 | | LOCKWASHER |
| 35 | 73810500 | | NUT.LOCK.5/16-24 |
| 36 | 154207 | | BRKT-FOOTREST |
| 37 | 152927 | | "SCREW-TT,10-32 FL" |
| 38 | 126805X | | "INSERT,STR WHEEL" |
| 39 | 100712K | | WASHER |
| 40 | 7810H | | GRIPCO NUT |
| 41 | 100711L | | ADAPTER LT |
| 43 | 121749X | | WASHER |
| 46 | 121232X | | CAP |
| 47 | 6855M | | ZERK M |
| 51 | 73800500 | | NUT |
| 54 | 74780520 | | BOLT |
| 62 | 156595 | | KIT STEERING ASM |
| 65 | 154780 | | SPACER AXLE |
| 66 | 154404 | | "BEARING-ARM,PITMA" |
| 67 | 74781044 | | BOLT |
| 68 | 154429 | | BRACE AXLE |

WHEELS & TIRES



NOTE: All component dimensions given in U.S. inches
1 inch = 25.4 mm

| Ref # | Part Number | Qty | Description |
|-------|--------------|-----|--------------------------|
| | 1 59192 | | VALVE CAP |
| | 2 65139 | | VALVE STEM LT |
| | 3 278H | | FITTING LT |
| | 4 106222X | | SUB= 122073X |
| 4A | 138468 | | TIRE.20X8-8 |
| | 5 59904 | | TUBE.5.3/4.5/6 |
| 5A | 7152J | | TUBE.18X9.5-8 |
| | 6 106732X417 | | "RIM,FRT T" |
| 6A | 106108X417 | | "RIM 8"" |
| | 7 104757X | | HUB CAP |
| | 8 9040H | | "FLANGE, BEARING" |
| | 144334 | | SEALANT.TIRE 10 OZ. TUBE |