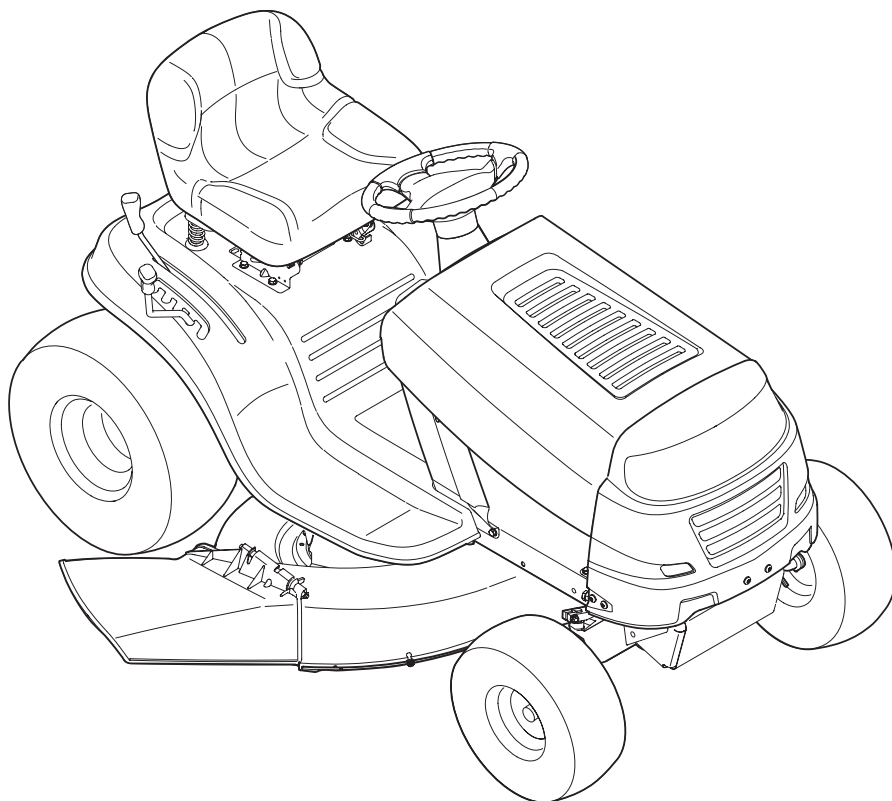


---

# ILLUSTRATED PARTS MANUAL



## Transmatic Lawn Tractor — Model Series 700

---

MTD LLC, P.O. BOX 361131 CLEVELAND, OHIO 44136-0019

---

# To The Owner

## Thank You

Thank you for purchasing this lawn tractor. It was carefully engineered to provide excellent performance when properly operated and maintained.

All information in this manual is relative to the most recent product information available at the time of printing.

Please be aware that this Illustrated Part's Manual may cover a range of product specifications for various models. Components

listed and/or illustrated in this manual may not be applicable to all models. We reserve the right to change product specifications, designs and equipment without notice and without incurring obligation.

Throughout this manual, all references to *right* (RH) and *left* (LH) are observed from the operating position.

## Table of Contents

|                                   |      |                                       |       |
|-----------------------------------|------|---------------------------------------|-------|
| <i>Axle, Front</i> .....          | 20   | <i>Fuel Tank</i> .....                | 4-17  |
| <i>Battery</i> .....              | 18   | <i>Hood</i> .....                     | 4-17  |
| <i>Head Lamps</i> .....           | 4-17 | <i>Deck Lift Handle/Linkage</i> ..... | 18    |
| <i>Mower Deck, 38-inch</i> .....  | 26   | <i>Muffler</i> .....                  | 32    |
| <i>Mower Deck, 42-inch</i> .....  | 28   | <i>PTO Lever</i> .....                | 18    |
| <i>Mower Deck, 46-inch</i> .....  | 30   | <i>Seat</i> .....                     | 22    |
| <i>Pedal Controls</i> .....       | 24   | <i>Steering Wheel</i> .....           | 20    |
| <i>Dash Panel</i> .....           | 4-17 | <i>Switches, Interlock</i> .....      | 18    |
| <i>Drive System</i> .....         | 24   | <i>Throttle Control</i> .....         | 4-17  |
| <i>Electrical Schematic</i> ..... | 21   | <i>Transmission</i> .....             | 24    |
| <i>Engine Accessories</i> .....   | 32   | <i>Wheels, Front</i> .....            | 20    |
| <i>Fender</i> .....               | 22   | <i>Wheels, Rear</i> .....             | 24    |
| <i>Frame</i> .....                | 18   | <i>Wiring Harness Schematic</i> ..... | 38-39 |

## Record Product Information

To ease in ordering replacement parts, please locate the model plate on the equipment and record the information in the provided area to the right. You can locate the model plate by looking beneath the seat.

### MODEL NUMBER

|  |  |  |  |  |  |  |  |  |  |  |
|--|--|--|--|--|--|--|--|--|--|--|
|  |  |  |  |  |  |  |  |  |  |  |
|--|--|--|--|--|--|--|--|--|--|--|

### SERIAL NUMBER

|  |  |  |  |  |  |  |  |  |  |  |
|--|--|--|--|--|--|--|--|--|--|--|
|  |  |  |  |  |  |  |  |  |  |  |
|--|--|--|--|--|--|--|--|--|--|--|

## Painted Parts

When ordering painted service parts, a four digit color suffix must be added to the part number (e.g. 783-XXXX-0637). Please refer to the table below for current color codes:

|      |   |
|------|---|
| 0637 | Black                                       |
| 0709 | Dark Green (Bolens, Yard-Man)               |
| 0662 | Oyster Gray (MTD Gold)                      |
| 0638 | Red (Yard Machines, Huskee, Troy-Bilt, MTD) |
| 0691 | Black Jack (MTD Gold, MasterCut)            |

|       |                              |
|-------|------------------------------|
| 0674  | Yellow (Yard-Man)            |
| 0650  | Metallic Red (White Outdoor) |
| 0629  | Silver Flake (MTD Platinum)  |
| 04038 | Day Orange (Daedong)         |
| 04033 | Flint Mica (Troy-Bilt XP)    |

**Notes**

---

---

---

---

---

---

---

---

---

---

---

---

---

---

---

---

---

---

---

---

---

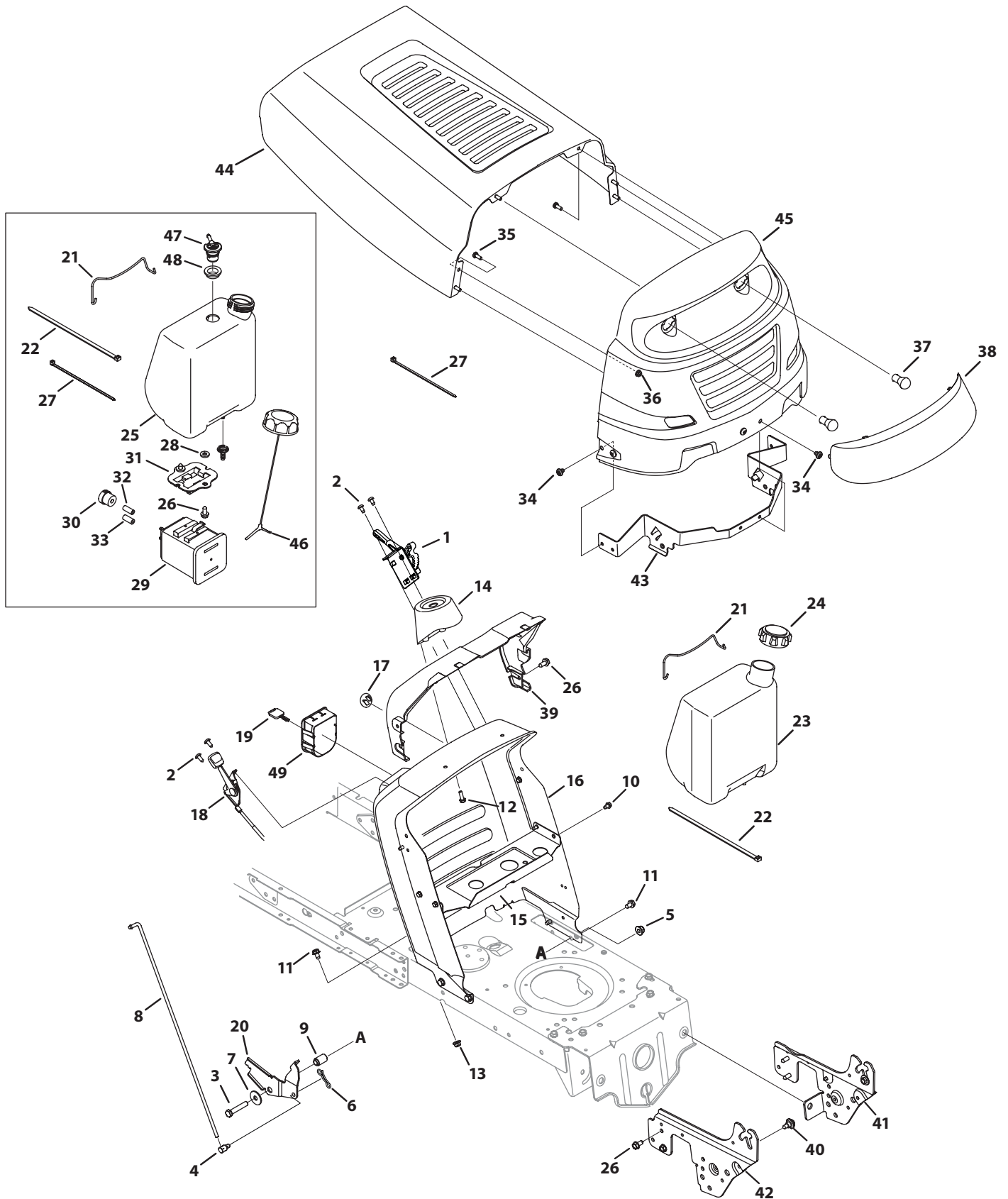
---

---

---

---

# 1 Style Hood



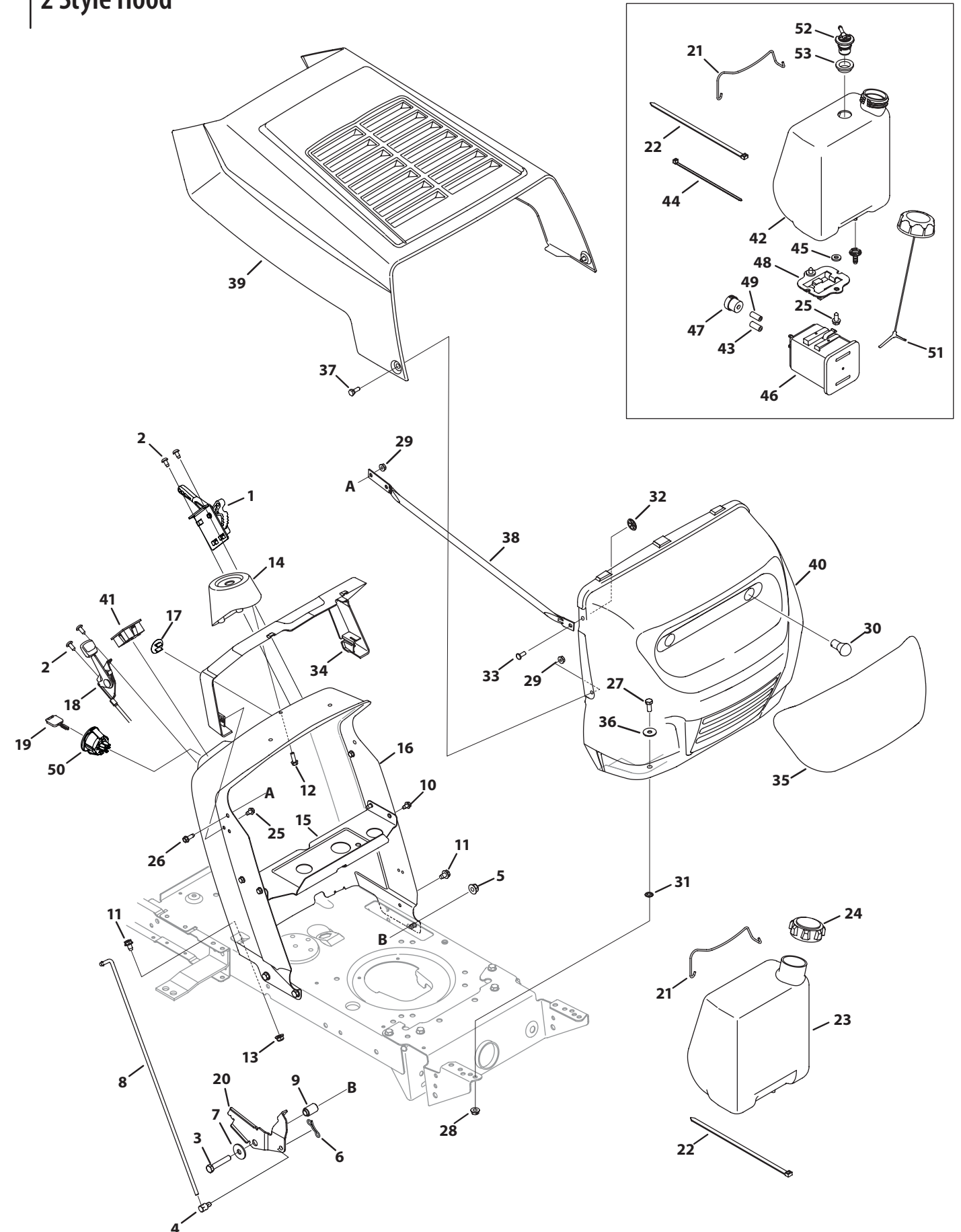
# 1 Style Hood

| Ref. | Part Number | Description                        |
|------|-------------|------------------------------------|
| 1    | 983-04216   | 7-Speed Control Assembly           |
|      | 983-04503   | 7-Speed Control Assembly           |
|      | 983-04225   | 6-Speed Control Assembly           |
| 2    | 710-04483   | Screw, 1/4-20 x .500               |
| 3    | 710-3144    | Hex Screw, 3/8-16 x 2.0            |
| 4    | 711-0736    | Ferrule, 1/4-20 x 1.00             |
| 5    | 710-04065   | Flangelock Nut, 3/8-16             |
| 6    | 714-04040   | Bow-Tie Cotter Pin, 72             |
| 7    | 936-0133    | Flat Washer, .411 x 1.25 x .100    |
| 8    | 747-04430   | Speed Selector                     |
| 9    | 750-04465   | Flange Spacer, .390 x .671 x 1.095 |
| 10   | 710-0599    | Hex Washer Screw, 1/4-20 x .500    |
| 11   | 710-0604A   | Screw, 5/16-18 x .625              |
| 12   | 710-0895    | Screw, 1/4-15 x .750               |
| 13   | 712-04063   | Flangelock Nut, 5/16-18            |
| 14   | 731-04945   | Steering Support                   |
| 15   | 783-04584A  | Gas Tank Support Bracket           |
| 16   | 783-04873B  | Dash, No RMC - Powder Black        |
| 17   | 731-05265   | Choke Plug                         |
| 18   | 746-04364   | Throttle/Choke Cable Assembly      |
| 19   | 925-1745A   | Key                                |
| 20   | 783-04903   | Speed Latch - No RMC               |
| 21   | 683-04448   | Battery Assembly Rod               |
| 22   | 726-0230    | Cable Tie                          |
| 23   | 751-0555B   | 1.5 Gallon Fuel Tank               |
| 24   | 751-0603A   | Fuel Cap                           |

| Ref. | Part Number  | Description                         |
|------|--------------|-------------------------------------|
| 25   | 751-10782    | 1.36 Gallon Fuel Tank               |
| 26   | 710-04484    | Screw, 5/16-18 x .750               |
| 27   | 725-0157     | Cable Tie                           |
| 28   | 936-3008     | Flat Washer, .344 x .750 x .120     |
| 29   | 951-10589    | 5 Gallon Carbon Canister            |
| 30   | 951-10590    | Vent Filter Canister                |
| 31   | 951-10610    | Canister Adapter                    |
| 32   | 751-10749-30 | Fuel Hose, White                    |
| 33   | 751-10750-28 | Fuel Hose, Yellow                   |
| 34   | 710-04593    | Screw, 5/16-18 x .375               |
| 35   | 710-0751     | Hex Screw, 1/4-20 x .620            |
| 36   | 712-04064    | Flangelock Nut, 1/4-20              |
| 37   | 925-0963     | Miniature Lamp 12V Socket           |
| 38   | 731-04949A   | Lens Grill                          |
| 39   | 731-05078C   | Dash Collar                         |
| 40   | 738-04091A   | Shoulder Screw, 5/16-18 x .43 x .29 |
| 41   | 783-05327B   | Left Support Pivot Bracket          |
| 42   | 783-05328A   | Right Support Pivot Bracket         |
| 43   | 783-05454    | Hood Pivot Bracket                  |
| 44   | 783-05684    | Hood                                |
| 45   | 783-05685    | Grill                               |
| 46   | 951-10947    | Fuel Cap, 2.25"                     |
| 47   | 751-10441    | Rollover Valve                      |
| 48   | 735-04081    | Rubber Grommet, 23 x 3.55           |
| 49   | 925-04659    | Key Switch                          |

**NOTE:** Tractor features vary by model. NOT all parts listed above and pictured on the previous page are standard equipment.

# 2 Style Hood

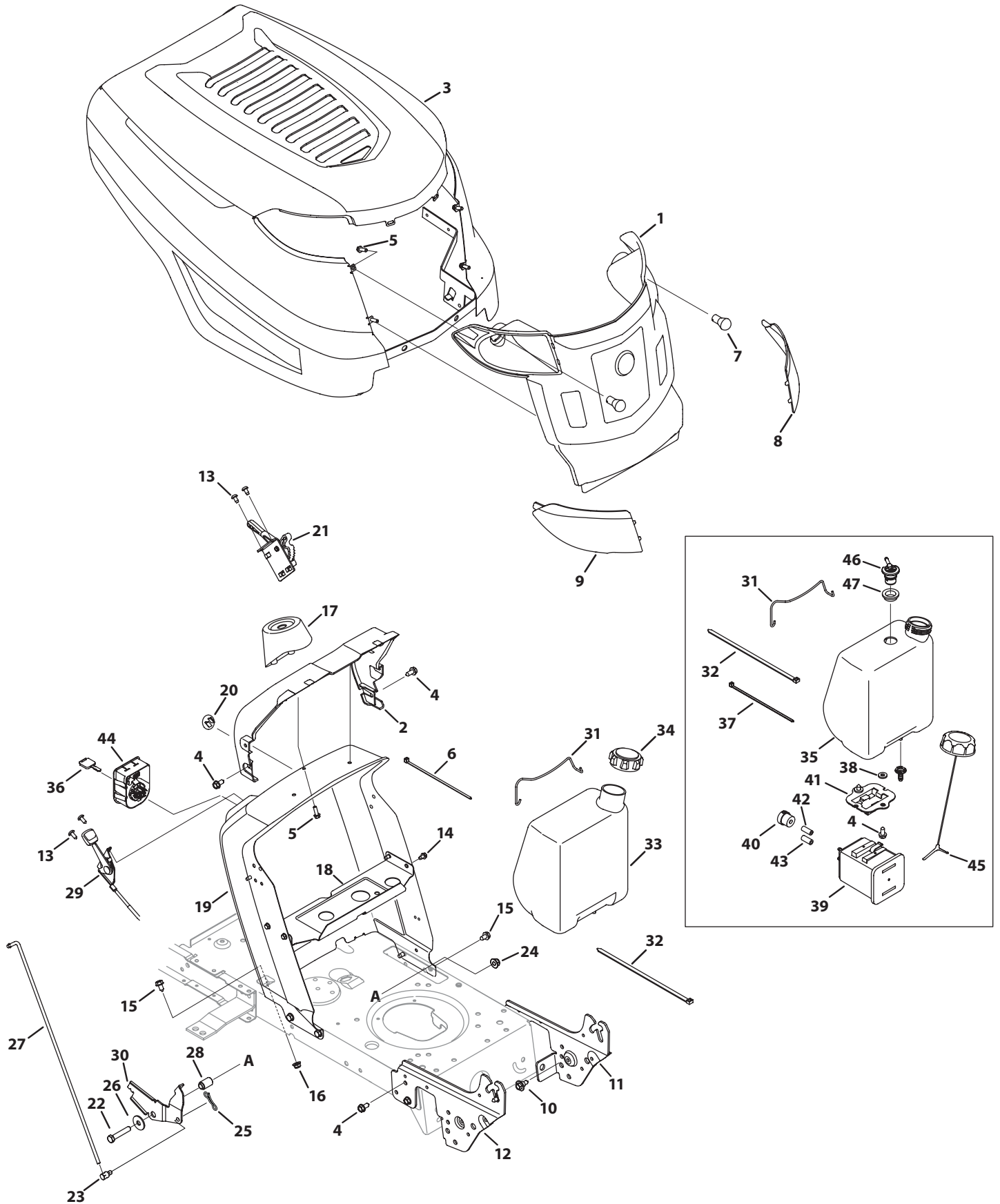


## 2 Style Hood

| Ref. | Part Number | Description                        | Ref. | Part Number  | Description                         |
|------|-------------|------------------------------------|------|--------------|-------------------------------------|
| 1    | 983-04216   | 7-Speed Control Assembly           | 27   | 710-3008     | Hex Screw, 5/16-18 x .75            |
|      | 983-04225   | 6-Speed Control Assembly           | 28   | 712-04063    | Flangelock Nut, 5/16-18             |
| 2    | 710-04483   | Screw, 1/4-20 x .500               | 29   | 712-04064    | Flangelock Nut, 1/4-20              |
| 3    | 710-3144    | Hex Screw, 3/8-16 x 2.0            | 30   | 925-0963     | Miniature Lamp 12V Socket           |
| 4    | 711-0736    | Ferrule, 1/4-20 x 1.00             | 31   | 726-0201     | Speed Nut, .3125                    |
| 5    | 710-04065   | Flangelock Nut, 3/8-16             | 32   | 926-04012    | Push-On Nut, .25                    |
| 6    | 714-04040   | Bow Tie Cotter Pin, 72             | 33   | 728-0162     | Flat Head Rivet, 1/4"               |
| 7    | 936-0133    | Flat Washer, .411 x 1.25 x .100    | 34   | 731-05012B   | Dash                                |
| 8    | 747-04430   | Speed Selector                     | 35   | 731-06042    | Lens                                |
| 9    | 750-04465   | Flange Spacer, .390 x .671 x 1.095 | 36   | 736-3078     | Flat Washer, .344 x 1.0 x .063      |
| 10   | 710-0599    | Hex Washer Screw, 1/4-20 x .500    | 37   | 938-0952A    | Shoulder Bolt, 1/4-20 x .375 x .125 |
| 11   | 710-0604A   | Screw, 5/16-18 x .625              | 38   | 749-04220    | Grill Support Rod                   |
| 12   | 710-0895    | Screw, 1/4-15 x .750               | 39   | 783-04608    | Hood                                |
| 13   | 712-04063   | Flangelock Nut, 5/16-18            | 40   | 783-05656    | Grill                               |
| 14   | 731-04945   | Steering Support                   | 41   | 925-04156    | Ammeter                             |
| 15   | 783-04584A  | Gas Tank Support Bracket           | 42   | 751-10782    | Fuel Tank, 1.36 Gallons             |
| 16   | 983-04889B  | Dash, RMC                          | 43   | 751-10750    | Fuel Hose, Yellow                   |
| 17   | 731-05265   | Choke Plug                         | 44   | 725-0157     | Cable Tie                           |
| 18   | 746-04364   | Throttle/Choke Cable               | 45   | 936-3008     | Flat Washer, .344 x .750 x .120     |
| 19   | 925-1745A   | Key                                | 46   | 951-10589    | 5 Gallon Carbon Canister            |
| 20   | 783-04862   | Speed Latch, RMC                   | 47   | 951-10590    | Vent Filter Canister                |
|      | 783-04903   | Speed Latch, No RMC                | 48   | 951-10610    | Canister Adaptor Bracket            |
| 21   | 683-04448   | Battery Assembly Rod               | 49   | 751-10749-30 | Fuel Hose, White                    |
| 22   | 726-0230    | Cable Tie                          | 50   | 925-04659    | Key Switch                          |
| 23   | 751-0555B   | 1.5 Gallon Fuel Tank               | 51   | 951-10947    | Fuel Cap, 2.25"                     |
| 24   | 751-0603A   | Fuel Cap                           | 52   | 751-10441    | Rollover Valve                      |
| 25   | 710-04484   | Screw, 5/16-18 x .750              | 53   | 735-04081    | Rubber Grommet, 23 x 3.55           |
| 26   | 710-0642    | Screw, 1/4-20 x .750               |      |              |                                     |

**NOTE:** Tractor features vary by model. NOT all parts listed above and pictured on the previous page are standard equipment.

# K Style Hood



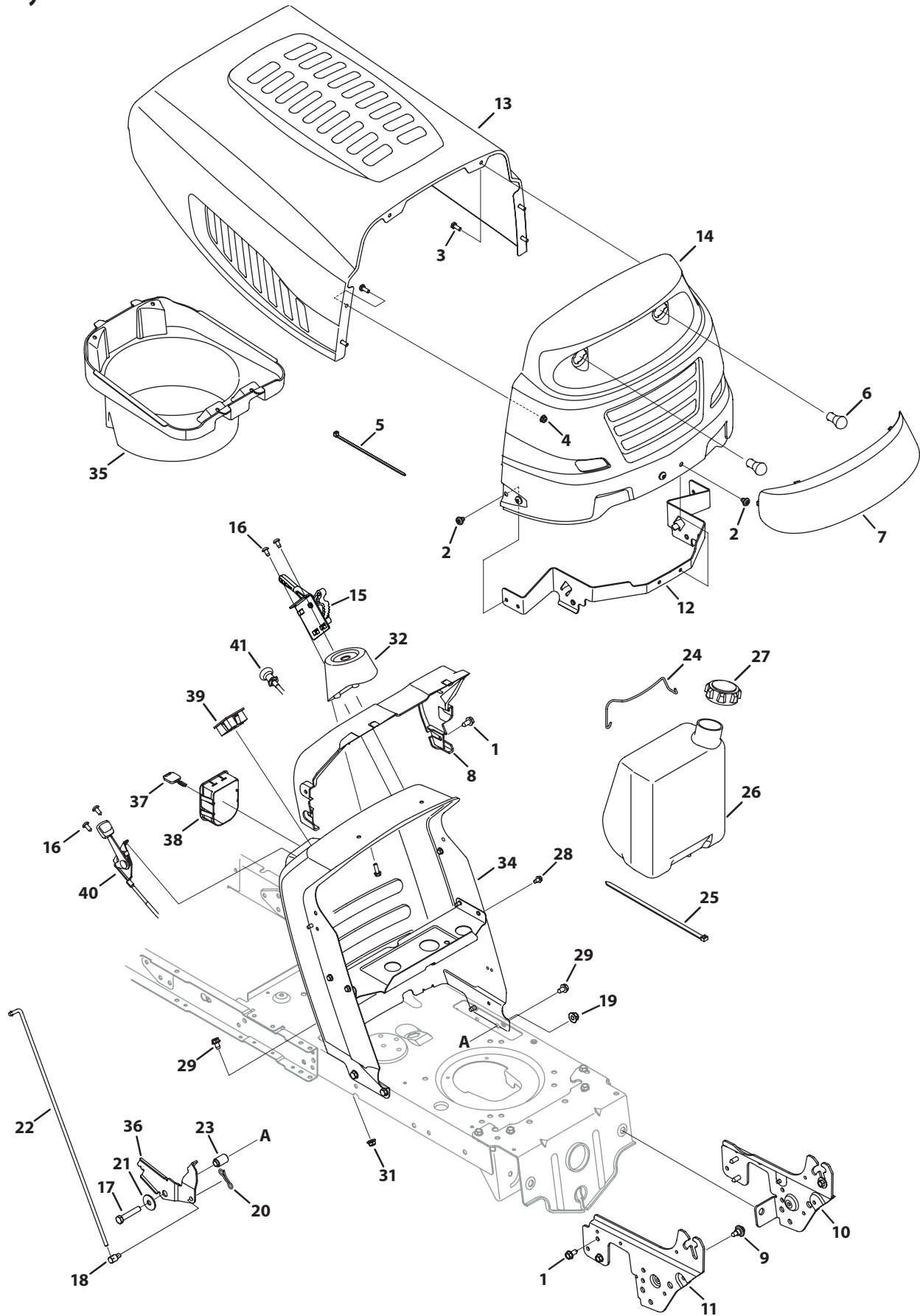


## K Style Hood

| Ref. | Part Number | Description                         | Ref. | Part Number  | Description                        |
|------|-------------|-------------------------------------|------|--------------|------------------------------------|
| 1    | 631-04272   | Grill Assembly, Troy-Bilt           | 23   | 711-0736     | Ferrule, 1/4-20 x 1.00             |
|      | 931-06796   | Grill Assembly, K-Style             | 24   | 710-04065    | Flangelock Nut, 3/8-16             |
| 2    | 731-05078C  | Dash Collar                         | 25   | 714-04040    | Bow Tie Cotter Pin, 72             |
|      | 731-06404   | K-Style Bumper                      | 26   | 936-0133     | Flat Washer, .411 x 1.25 x .100    |
|      | 710-04261   | Screw, #12-16 x .50                 | 27   | 747-04430    | Speed Selector                     |
| 3    | 683-04441   | Hood Assembly                       | 28   | 750-04465    | Flange Spacer, .390 x .671 x 1.095 |
| 4    | 710-04484   | Screw, 5/16-18 x .750               | 29   | 746-04364    | Throttle/Choke Cable               |
| 5    | 710-0895    | Screw, 1/4-15 x .750                | 30   | 783-04903    | Speed Latch - No RMC               |
| 6    | 725-0157    | Cable Tie                           | 31   | 683-04448    | Battery Assembly Rod               |
| 7    | 925-0963    | Lamp                                | 32   | 726-0230     | Cable Tie                          |
| 8    | 731-06095   | Left Lens                           | 33   | 751-0555B    | 1.5 Gallon Fuel Tank               |
| 9    | 731-06096   | Right Lens                          | 34   | 751-0603A    | Fuel Cap                           |
| 10   | 738-04091A  | Shoulder Screw, 5/16-18 x .43 x .29 | 35   | 751-10782    | 1.36 Gallon Fuel Tank              |
| 11   | 783-05327B  | Left Support Pivot Bracket          | 36   | 925-1745A    | Key                                |
| 12   | 783-05328A  | Right Support Pivot Bracket         | 37   | 725-0157     | Cable Tie                          |
| 13   | 710-04483   | Screw, 1/4-20 x .500                | 38   | 936-3008     | Flat Washer, .344 x .750 x .120    |
| 14   | 710-0599    | Hex Washer Screw, 1/4-20 x .500     | 39   | 951-10589    | 5 Gallon Carbon Canister           |
| 15   | 710-0604A   | Screw, 5/16-18 x .625               | 40   | 951-10590    | Vent Filter Canister               |
| 16   | 712-04063   | Flangelock Nut, 5/16-18             | 41   | 951-10610    | Canister Adapter Bracket           |
| 17   | 731-04945   | Steering Support                    | 42   | 751-10749-30 | Fuel Hose, White                   |
| 18   | 783-04584A  | Gas Tank Support Bracket            | 43   | 751-10750-28 | Fuel Hose, Yellow                  |
| 19   | 783-04873B  | Dash, No RMC - Red                  | 44   | 925-04659    | 3 Position Key Switch              |
| 20   | 731-05265   | Choke Plug                          | 45   | 951-10947    | Fuel Cap, 2.25"                    |
| 21   | 983-04216   | 7-Speed Control Assembly            | 46   | 751-10441    | Rollover Valve                     |
| 22   | 710-3144    | Hex Screw, 3/8-16 x 2.0             | 47   | 735-04081    | Rubber Grommet, 23 x 3.55          |

**NOTE:** Tractor features vary by model. NOT all parts listed above and pictured on the previous page are standard equipment.

# 5 Style Hood with Plenum



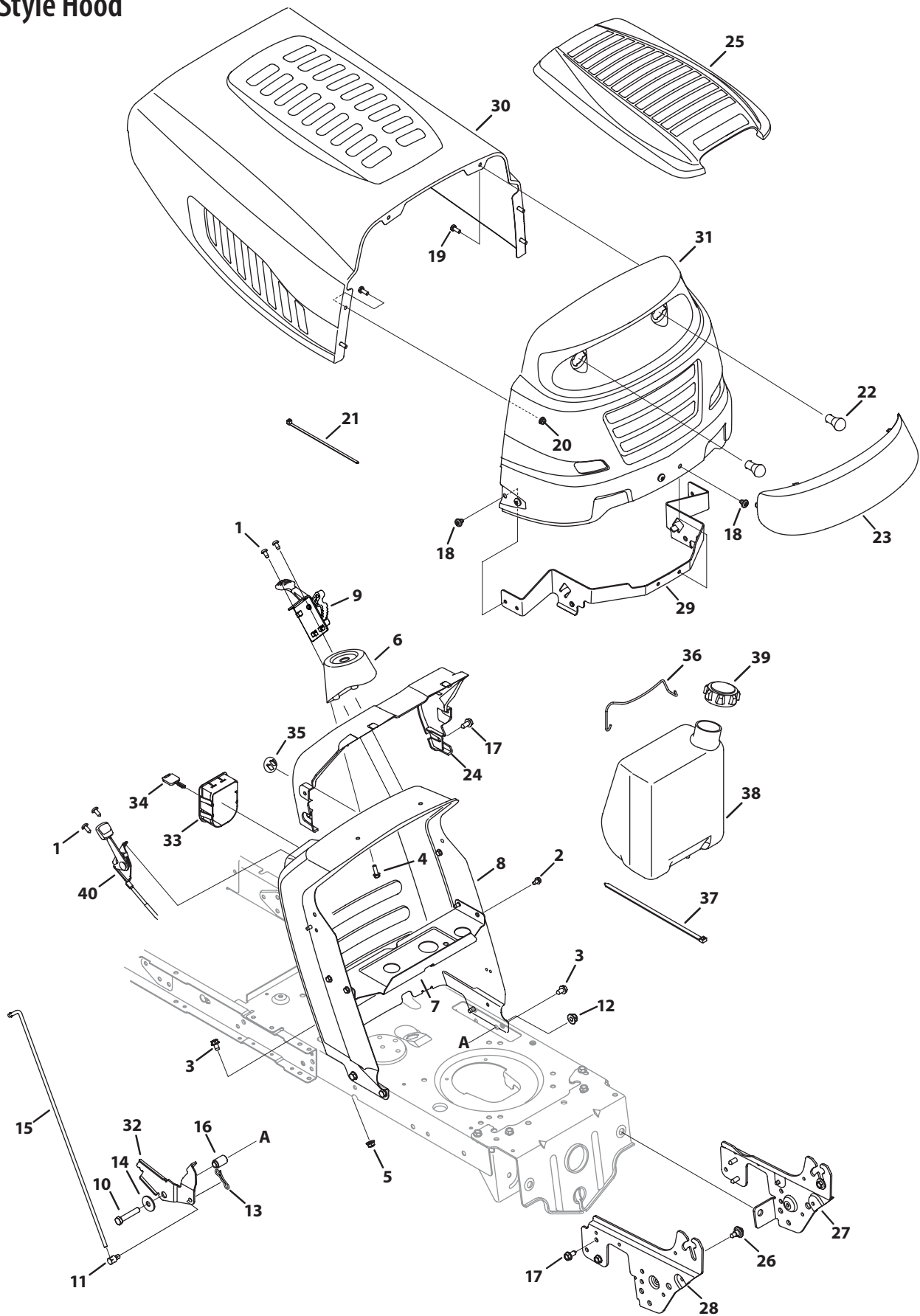
## 5 Style Hood with Plenum

| Ref. | Part Number | Description                      |
|------|-------------|----------------------------------|
| 1    | 710-04484   | Screw, 5/16-18 x .750            |
| 2    | 710-04593   | Screw, 5/16-18 x .375            |
| 3    | 710-0751    | Hex Screw, 1/4-20 x .620         |
| 4    | 712-04064   | Flangelock Nut, 1/4-20           |
| 5    | 725-0157    | Cable Tie                        |
| 6    | 925-0963    | Miniature Lamp, 12V              |
| 7    | 731-04949A  | Grill Lens                       |
| 8    | 731-05078C  | Dash Collar                      |
| 9    | 738-04091A  | Shoulder Screw, 5/16-18          |
| 10   | 783-05327B  | Left-hand Support Pivot Bracket  |
| 11   | 783-05328A  | Right-hand Support Pivot Bracket |
| 12   | 783-05454   | Hood Pivot Bracket               |
| 13   | 783-05683   | Hood                             |
| 14   | 783-05685   | Grill                            |
| 15   | 983-04216   | 7-speed Control Assembly         |
| 16   | 710-04483   | Screw, 1/4-20 x .500             |
| 17   | 710-3144    | Hex Screw, 3/8-16 x 2.0          |
| 18   | 711-0736    | Ferrule, 1/4-20 x 1.0            |
| 19   | 712-04065   | Flangelock Nut, 3/8-16           |
| 20   | 714-04040   | Bow Tie Cotter Pin, 72           |
| 21   | 936-0133    | Flat Washer, .411 x 1.25 x .100  |

| Ref. | Part Number | Description                        |
|------|-------------|------------------------------------|
| 22   | 747-04430   | Speed Selector Control Rod         |
| 23   | 750-04465   | Flange Spacer, .390 x .671 x 1.095 |
| 24   | 683-04448   | Battery Rod                        |
| 25   | 726-0230    | Cable Tie                          |
| 26   | 751-0555B   | Fuel Tank, 1.5 Gallon              |
| 27   | 751-0603A   | Fuel Cap                           |
| 28   | 710-0599    | Hex Index Washer Screw, 1/4-20     |
| 29   | 710-0604A   | Screw, 5/16-18 x .625              |
| 30   | 710-0895    | Screw, 1/4-15 x .750               |
| 31   | 712-04063   | Flangelock Nut, 5/16-18            |
| 32   | 731-04945   | Steering Support                   |
| 33   | 783-04584A  | Gas Tank Support Bracket           |
| 34   | 983-04889B  | Dash, RMC                          |
| 35   | 731-06216   | Plenum                             |
| 36   | 783-04862   | Speed Latch                        |
| 37   | 925-1745A   | Key                                |
| 38   | 925-04227B  | Key Switch                         |
| 39   | 925-04156   | Ammeter Monitor                    |
| 40   | 746-04365   | Throttle Cable                     |
| 41   | 746-1085A   | Choke Control                      |

**NOTE:** Tractor features vary by model. NOT all parts listed above and pictured on the previous page are standard equipment.

# 5 Style Hood

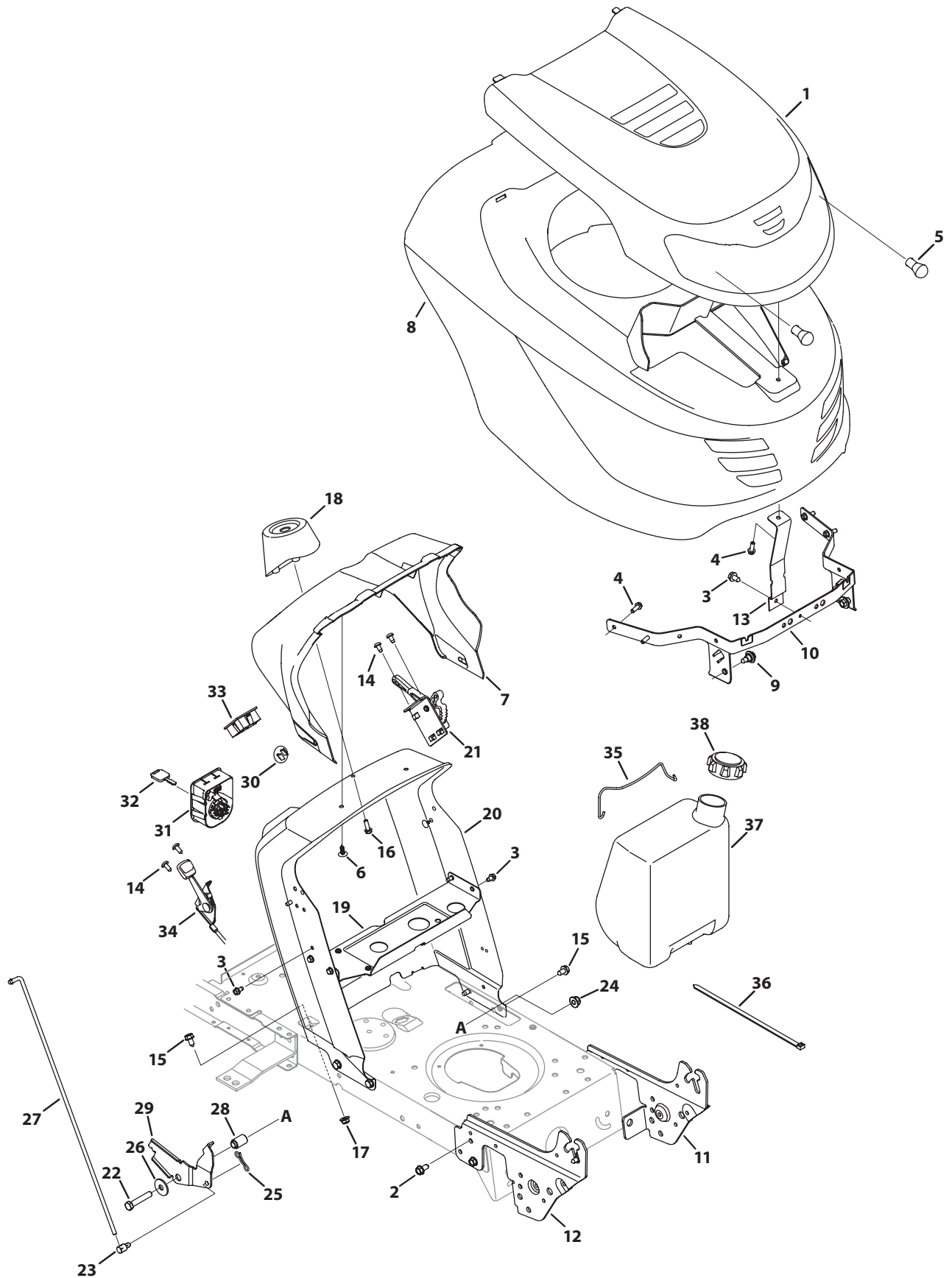


## 5 Style Hood

| Ref. | Part Number | Description                           | Ref. | Part Number | Description                        |
|------|-------------|---------------------------------------|------|-------------|------------------------------------|
| 1    | 710-04483   | Screw, 1/4-20 x .500                  | 21   | 725-0157    | Cable Tie                          |
| 2    | 710-0599    | Hex Index Washer Screw, 1/4-20 x .500 | 22   | 925-0963    | Miniature Lamp, 12V                |
| 3    | 710-0604A   | Screw, 5/16-18 x .625                 | 23   | 731-04949A  | Grill Lens                         |
| 4    | 710-0895    | Screw, 1/4-15 x .750                  | 24   | 731-05078C  | Dash Collar                        |
| 5    | 712-04063   | Flangelock Nut, 5/16-18               | 25   | 731-05522A  | Hood Cover                         |
| 6    | 731-04945   | Steering Support                      | 26   | 738-04091A  | Shoulder Screw, 5/16-18, .43 x .29 |
| 7    | 783-04584A  | Gas Tank Support Bracket              | 27   | 783-05327B  | Left-hand Support Pivot Bracket    |
| 8    | 783-04873B  | Dash, No RMC                          | 28   | 783-05328A  | Right-hand Support Pivot Bracket   |
| 9    | 983-04274   | 7-speed Control Assembly              | 29   | 783-05454   | Hood Pivot Bracket                 |
| 10   | 710-3144    | Hex Screw, 3/8-16 x 2.0               | 30   | 783-05683   | Hood                               |
| 11   | 711-0736    | Ferrule, 1/4-20 x 1.0                 | 31   | 783-05685   | Grill                              |
| 12   | 712-04065   | Flangelock Nut, 3/8-16                | 32   | 783-04903   | Speed Latch, No RMC                |
| 13   | 714-04040   | Bow Tie Cotter Pin, 72                | 33   | 925-04659   | Key Switch                         |
| 14   | 936-0133    | Flat Washer, .411 x 1.25 x .100       | 34   | 925-1745A   | Key                                |
| 15   | 747-04430   | Speed Selector Control Rod            | 35   | 731-05265   | Choke Plug                         |
| 16   | 750-04465   | Flange Spacer, .390 x .671 x 1.095    | 36   | 683-04448   | Battery Rod                        |
| 17   | 710-04484   | Screw, 5/16-18 x .750                 | 37   | 726-0230    | Cable Tie                          |
| 18   | 710-04593   | Screw, 5/16-18 x .375                 | 38   | 751-0555B   | Fuel Tank, 1.5 Gallon              |
| 19   | 710-0751    | Hex Screw, 1/4-20 x .620              | 39   | 751-0603A   | Fuel Cap                           |
| 20   | 712-04064   | Flangelock Nut, 1/4-20                | 40   | 746-04364   | Throttle/Choke Cable               |

**NOTE:** Tractor features vary by model. NOT all parts listed above and pictured on the previous page are standard equipment.

# G Style Hood

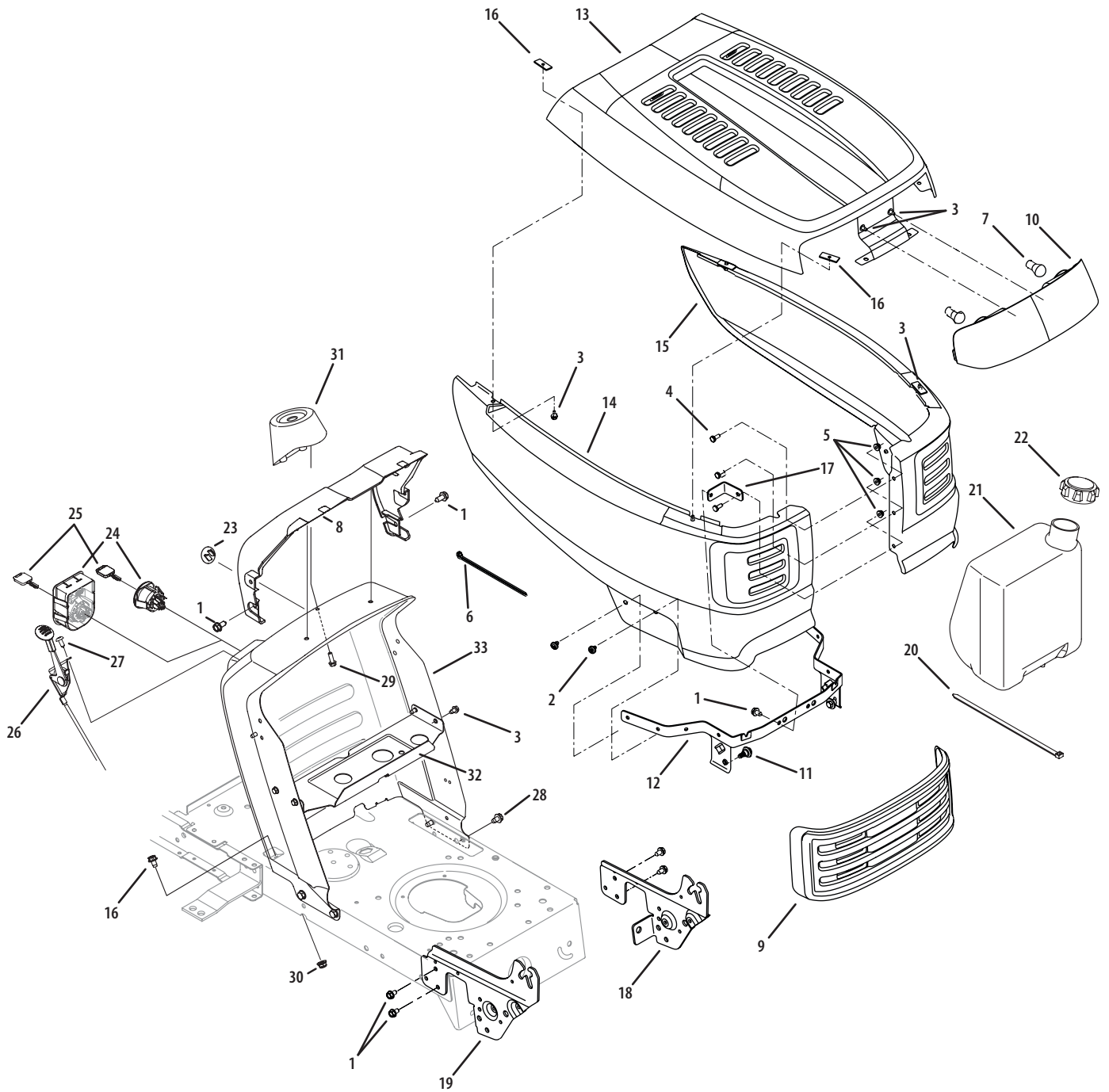


## G Style Hood

| Ref. | Part Number | Description                        | Ref. | Part Number | Description                        |
|------|-------------|------------------------------------|------|-------------|------------------------------------|
| 1    | 931-04308   | G Style Hood, Upper Assembly       | 19   | 783-04584A  | Gas Tank Support Bracket           |
|      | 931-06564   | Lens, G Style Hood                 | 20   | 983-04889B  | Dash                               |
|      | 777X43285   | Label, Reflective G Style          | 21   | 983-04216   | 7 Speed Control Assembly           |
| 2    | 710-04484   | Screw, 5/16-18 x .750              | 22   | 710-3144    | Hex Screw, 3/8-16 x 2.00           |
| 3    | 710-0599    | Screw, 1/4-20 x 0.500              | 23   | 711-0736    | Ferrule, 1/4-20 x 1.00             |
| 4    | 710-0895    | Screw, 1/4-15 x 0.750              | 24   | 712-04065   | Flangelock Nut, 3/8-16             |
| 5    | 925-0963    | Lamp                               | 25   | 714-04040   | Bow Tie Cotter Pin, 72             |
| 6    | 726-3046    | Ratchet Clip, .250 DIA             | 26   | 936-0133    | Flat Washer, .411 x 1.25 x .100    |
| 7    | 931-06470   | Dash Collar                        | 27   | 747-04430   | Speed Selector Control Rod         |
| 8    | 931-06537   | G Style Hood                       | 28   | 750-04465   | Flange Spacer, .390 x .671 x 1.095 |
| 9    | 738-04091A  | Shoulder Screw, 5/16-18, .43 x .29 | 29   | 783-04862   | Speed Latch                        |
| 10   | 783-04606C  | Pivot Hood Bracket                 | 30   | 731-05265   | Choke Plug                         |
| 11   | 783-05327B  | LH Pivot Support Bracket           | 31   | 925-04227B  | Key Switch Module                  |
| 12   | 783-05328A  | RH Pivot Support Bracket           | 32   | 925-1745A   | Key                                |
| 13   | 783-06117   | Hood Support Bracket               | 33   | 925-04156   | Indicator Monitor                  |
| 14   | 710-04483   | Screw, 1/4-20 x .500               | 34   | 746-04364   | Throttle/Choke Cable               |
| 15   | 710-0604A   | Screw, 5/16-18 x 0.625             | 35   | 683-04448   | Battery Rod                        |
| 16   | 710-0895    | Screw, 1/4-15 x 0.750              | 36   | 726-0230    | Cable Tie                          |
| 17   | 712-04063   | Flangelock Nut, 5/16-18            | 37   | 751-0555B   | Fuel Tank                          |
| 18   | 731-04945   | Steering Support                   | 38   | 751-0603A   | Fuel Cap                           |

**NOTE:** Tractor features vary by model. NOT all parts listed above and pictured on the previous page are standard equipment.

# T Style Hood

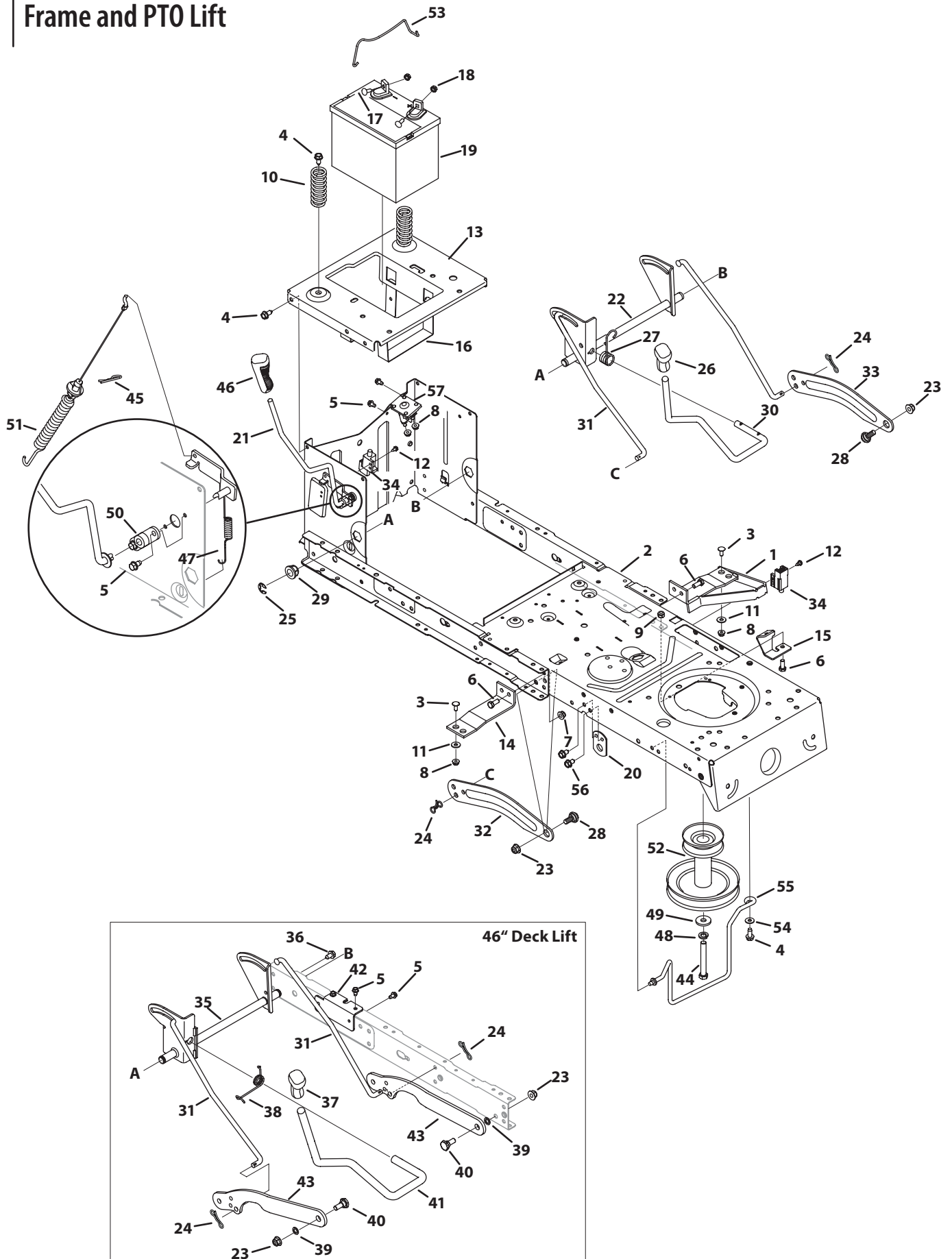




| Ref. | Part Number | Description                        |
|------|-------------|------------------------------------|
| 1    | 710-04484   | Screw, tt, 5/16-18, .750           |
| 2    | 710-04593   | Screw, tt, 5/16-18, 0.375          |
| 3    | 710-0599    | Screw, tt, 1/4-20, 0.500           |
| 4    | 710-0751    | Hex Screw, 1/4-20, .620            |
| 5    | 712-04064   | Nut, Flange Lock, 1/4-20           |
| 6    | 725-0157    | Cable tie, 3/16 X .05 X 7.4        |
| 7    | 925-0963    | Lamp, #1156                        |
| 8    | 731-05078C  | Dash Collar                        |
| 9    | 731-06358   | Ins, grill, T-Style                |
| 10   | 731-06414   | Lens, T-Style                      |
| 11   | 738-04091A  | Screw, Shldr, .43x.29, Tt, 5/16-18 |
| 12   | 783-04606C  | Bracket, pivot, hood               |
| 13   | 783-04827   | Hood                               |
| 14   | 783-04828   | Side Panel, RH                     |
| 15   | 783-04967   | Side Panel, LH W/O Window          |
| 16   | 783-05223   | Fastener, hood T-Style             |
| 17   | 783-05315   | Hood Bracket, Front                |
| 18   | 783-05327B  | Bracket Support, Pivot LH          |
| 19   | 783-05328A  | Bracket Support, Pivot RH          |
| 20   | 726-0230    | Cable Tie                          |
| 21   | 751-0555B   | Fuel Tank                          |
| 22   | 751-0603A   | Fuel Cap                           |
| 23   | 731-05265   | Choke Plug                         |
| 24   | 925-04659   | Key Switch                         |
|      | 925-04227B  | Key Switch Module                  |
| 25   | 925-1745A   | Key                                |
| 26   | 746-04364   | Throttle/Choke Cable               |
| 27   | 710-04483   | Screw, 1/4-20 x .500               |
| 28   | 710-0604A   | Screw, 5/16-18 x 0.625             |
| 29   | 710-0895    | Screw, 1/4-15 x 0.750              |
| 30   | 712-04063   | Flangelock Nut, 5/16-18            |
| 31   | 731-04945   | Steering Support                   |
| 32   | 783-04584A  | Gas Tank Support Bracket           |
| 33   | 783-04873B  | Dash                               |

**NOTE:** Tractor features vary by model. NOT all parts listed above and pictured on the previous page are standard equipment.

# Frame and PTO Lift

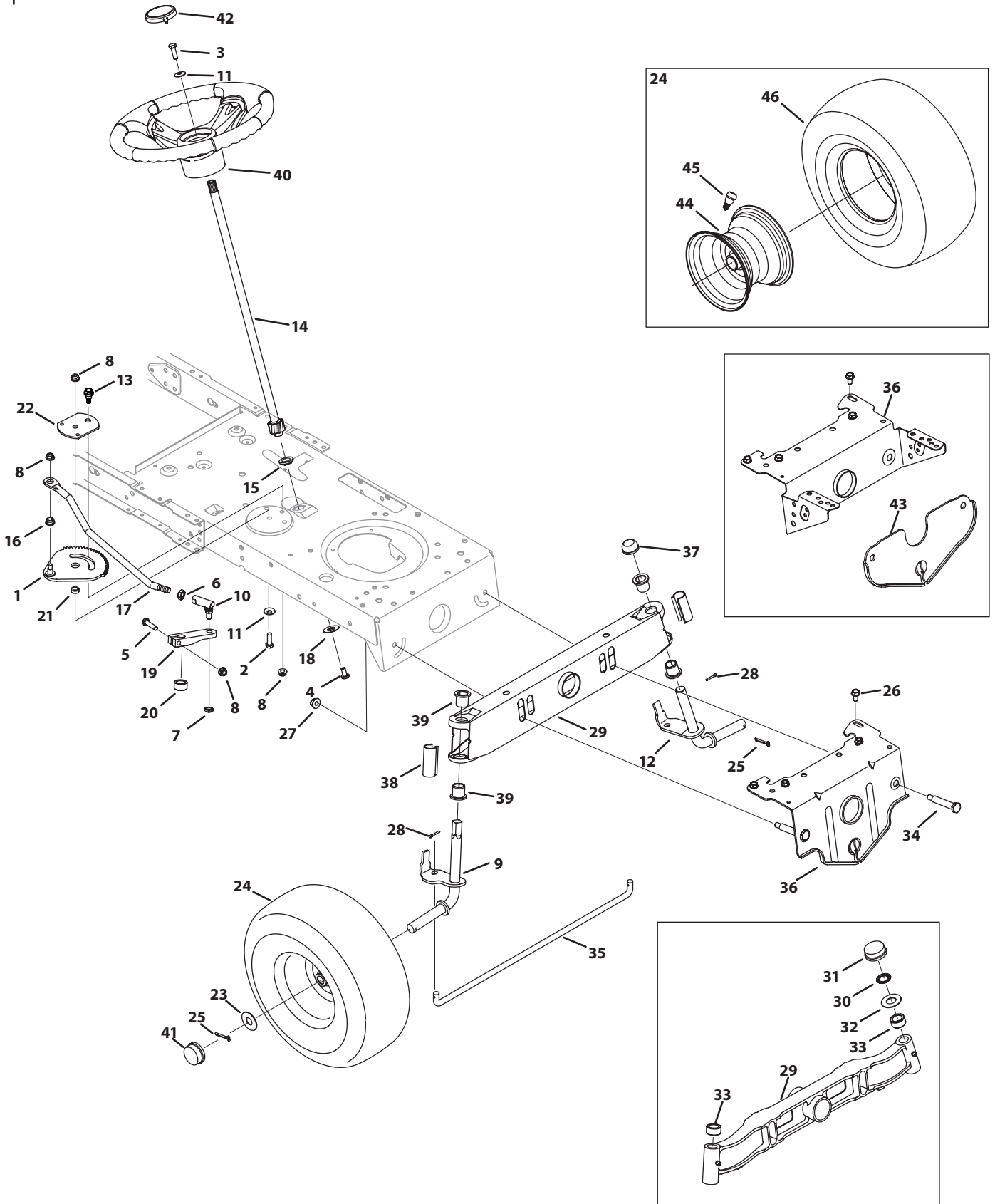


## Frame and PTO Lift

| Ref. | Part Number | Description                         | Ref. | Part Number | Description                         |
|------|-------------|-------------------------------------|------|-------------|-------------------------------------|
| 1    | 683-04195   | Support Bracket                     | 32   | 783-04494C  | 38/42" Lift Arm, RH                 |
| 2    | 683-04601   | Frame Assembly                      | 33   | 783-04711C  | 38/42" Lift Arm, LH                 |
| 3    | 710-0134    | Screw Carriage, 1/4-20 x .62        | 34   | 725-04363   | Switch Interlock                    |
| 4    | 710-04484   | Screw 5/16-18 x .750                | 35   | 683-04334   | Lift Assembly, 46"                  |
| 5    | 710-0599    | Screw, 1/4-20 x .500                | 36   | 710-0604A   | Screw, 5/16-18 x .625               |
| 6    | 710-3008    | Hex Screw, 5/16-18 x .75            | 37   | 720-0298    | Handle Grip, 5/8                    |
| 7    | 712-04063   | Flangelock Nut, 5/16-18             | 38   | 732-04438   | Torsion Spring Handle, 46"          |
| 8    | 712-04064   | Flangelock Nut, 1/4-20              | 39   | 936-0140    | Flat Washer, .385 x .62 x .063      |
| 9    | 912-0429    | Hexlock Nut, 5/16-18                | 40   | 938-0380    | Shoulder Bolt, 3/8-16 x .500 x .270 |
| 10   | 732-04035   | Compression Spacer, 1.28 x 3.125    | 41   | 747-04653   | 46" Lift Handle                     |
| 11   | 736-0173    | Flat Washer, .28 x .74 x .063       | 42   | 783-05389   | Frame Brace Bracket                 |
| 12   | 738-04237A  | Shoulder Spacer, 10-32 x .500       | 43   | 783-0678C   | Lift Deck Link                      |
| 13   | 783-04548C  | Seat Frame Bracket                  | 44   | 710-04607   | Hex Screw, 7/16-20 x 2.75, 46"      |
| 14   | 783-04637   | Running Board Bracket               |      | 710-04608   | Hex Screw, 7/16-20 x 3.25, 38/42"   |
| 15   | 783-04753   | Support Frame Bracket               | 45   | 914-0145    | Click Pin, .092 x 1.64              |
| 16   | 783-04869A  | Battery Bracket                     | 46   | 720-04049A  | Handle Grip, 3/8                    |
| 17   | 710-04666   | Hex Head Flange, 1/4-20 x .75       | 47   | 732-04276A  | PTO Spring Extension                |
| 18   | 712-0271    | Sems Nut, 1/4-20                    | 48   | 936-0171    | Regular Duty Washer Lock, 7/16      |
| 19   | 925-1707D   | 230 CCA Battery                     | 49   | 736-0322    | Flat Washer, .450 x 1.250 x .164    |
| 20   | 783-04536B  | Support Bracket                     | 50   | 741-04119A  | PTO Bearing                         |
| 21   | 647-04096   | PTO Handle Assembly                 | 51   | 683-04448   | Deck Engage Cable                   |
| 22   | 683-04155A  | Lift Assembly, 38/42"               | 52   | 756-04207A  | Engine Pulley, 3.39 x 6.12, 46"     |
| 23   | 712-04065   | Flangelock Nut, 3/8-16              |      | 756-04196A  | Engine Pulley, 3.39 x 6.12, 38/42"  |
| 24   | 714-04040   | Bow-tie Cotter Pin                  | 53   | 747-04744   | Battery Hold Down Rod               |
| 25   | 716-0106A   | E Ring                              | 54   | 936-0300    | Flat Washer, .406 x .875 x .059     |
| 26   | 720-0311    | Handle Grip, 1/2                    | 55   | 747-04332A  | 38" Belt Keeper                     |
| 27   | 732-04225   | Torsion Spring                      |      | 747-04857   | 42" Belt Keeper                     |
| 28   | 738-04130   | Shoulder Bolt, 3/8-16 x .625 x .175 |      | 683-04414   | 46" Belt Keeper                     |
| 29   | 941-0225    | Hex Flange Bearing                  | 56   | 710-0604A   | Screw, 5/16-18.0 x .625             |
| 30   | 747-04282   | Deck Lift Handle                    | 57   | 725-04439   | 12V Solenoid                        |
| 31   | 747-04393   | Lift Rod                            |      |             |                                     |

**NOTE:** Tractor features vary by model. NOT all parts listed above and pictured on the previous page are standard equipment.

# Front End Steering

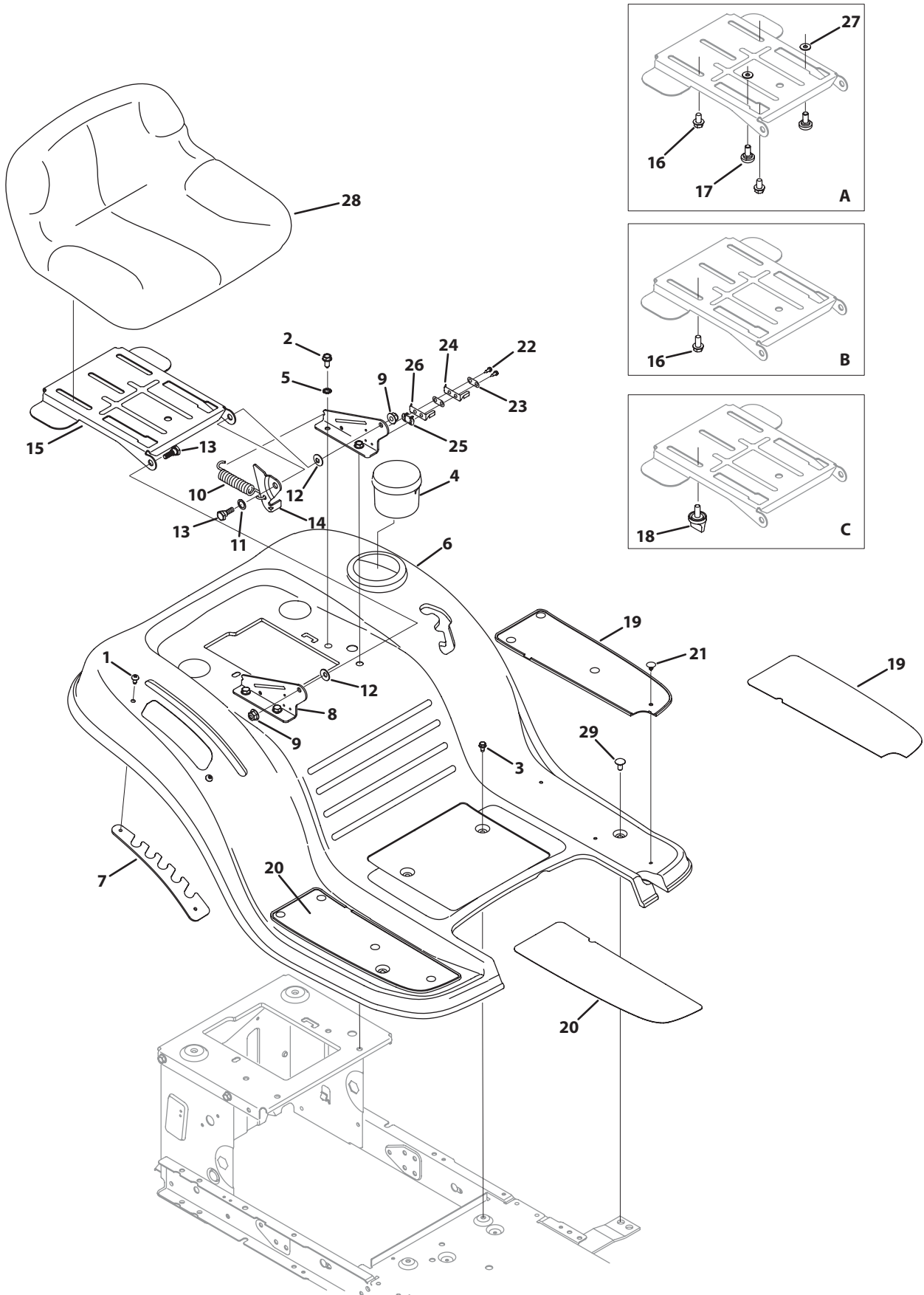


## Front End Steering

| Ref. | Part Number | Description                          | Ref. | Part Number | Description                         |
|------|-------------|--------------------------------------|------|-------------|-------------------------------------|
| 1    | 617-04024   | Front Steering Gear Assembly         | 25   | 714-04039   | Cotter Pin, 5/32 x 1.25             |
| 2    | 710-0376    | Hex Screw, 5/16-18 x 1.00            | 26   | 710-04484   | Screw, 5/16-18 x .750               |
| 3    | 710-0643    | Hex Screw, 5/16-18 x 1.00, Lock      | 27   | 712-04065   | Flangelock Nut, 3/8-16              |
| 4    | 710-1309    | Machine Screw, 5/16-18 x .750        | 28   | 914-0474    | Cotter Pin, .125 x .75              |
| 5    | 710-3180    | Hex Screw, 5/16-18 x 1.75            | 29   | 719-04177A  | Pivot Axle                          |
| 6    | 912-0240    | Jam Nut, 7/16-20                     |      | 683-0128B   | Pivot Axle                          |
| 7    | 912-0214    | Jamlock Nut, 3/8-24                  | 30   | 726-04035   | Push Nut, 3/4                       |
| 8    | 712-04063   | Flangelock Nut, 5/16-18              | 31   | 731-04693   | Hub Cap                             |
| 9    | 638-04008P  | Front RH Axle                        | 32   | 936-0316    | Flat Washer, .78 x 1.59 x .060      |
|      | 938-04013   | 46" Front RH Axle                    | 33   | 748-04068   | Spacer, .71 x .125 x .56            |
| 10   | 923-0448A   | Ball Joint, 7/16-20                  | 34   | 738-04128   | Shoulder Bolt, 3/8-16 x .500 x 2.38 |
| 11   | 736-0242    | Bell Washer, .340 x .872 x .060      | 35   | 747-04299A  | Fixed Rod                           |
| 12   | 938-04007A  | Front LH Axle                        | 36   | 783-05326   | Pivot Bar Bracket                   |
|      | 938-04014A  | 46" Front LH Axle                    |      | 783-04601C  | Pivot Bar Bracket                   |
| 13   | 738-04141   | Shoulder Bolt, 5/16-18 x .435 x .350 | 37   | 726-0341    | Push Cap, 3/4                       |
| 14   | 738-0919A   | Steering Shaft, 5/8 x 22.08          | 38   | 731-04057A  | Standard Axle Cap                   |
| 15   | 941-04124   | Flange Bearing, 5/8                  | 39   | 741-0660A   | Flange Bearing, .760 x .941 x 1.0   |
| 16   | 941-0475    | Plastic Bushing, .380 ID             | 40   | 631-04028   | Steering Wheel                      |
| 17   | 747-04298   | Steering Link                        | 41   | 931-0484A   | Hub Cap                             |
| 18   | 948-0389    | Cap, 1.25 x .16                      | 42   | 731-04039   | Cap                                 |
| 19   | 748-04065   | Steering Block                       |      | 731-04040   | Sprig Cap                           |
| 20   | 748-04068   | Spacer, .71 x .125 x .56             |      | 731-04681   | Cap, Troy-Bilt                      |
| 21   | 750-04418   | Spacer, .322 x .625 .21              | 43   | 783-04568   | Front Deck Hanger Bracket           |
| 22   | 783-04644   | Gear Segment Stabilizer Plater       | 44   | 634-04634   | Rim Asm, 6.0 x 4.5, 46" Deck        |
| 23   | 736-04228A  | Flat Washer, .781 x 1.590            |      | 634-04081   | Rim Asm, 6.0 x 4.5, 42/38" Deck     |
| 24   | 634-04639   | Wheel Assembly, 46"                  | 45   | 734-0255    | Valve, tubeless Air                 |
|      | 634-04086   | Wheel Assembly, 42"                  | 46   | 734-1731    | Tire, 15 X 6 X 6 Sq Shldr, 42/46"   |
|      | 634-04325   | Wheel Assembly, 38"                  |      | 734-04240A  | Tire, 15 X 6 X 6 Rd Shldr, 38"      |

**NOTE:** Tractor features vary by model. NOT all parts listed above and pictured on the previous page are standard equipment.

# Seat and Fender

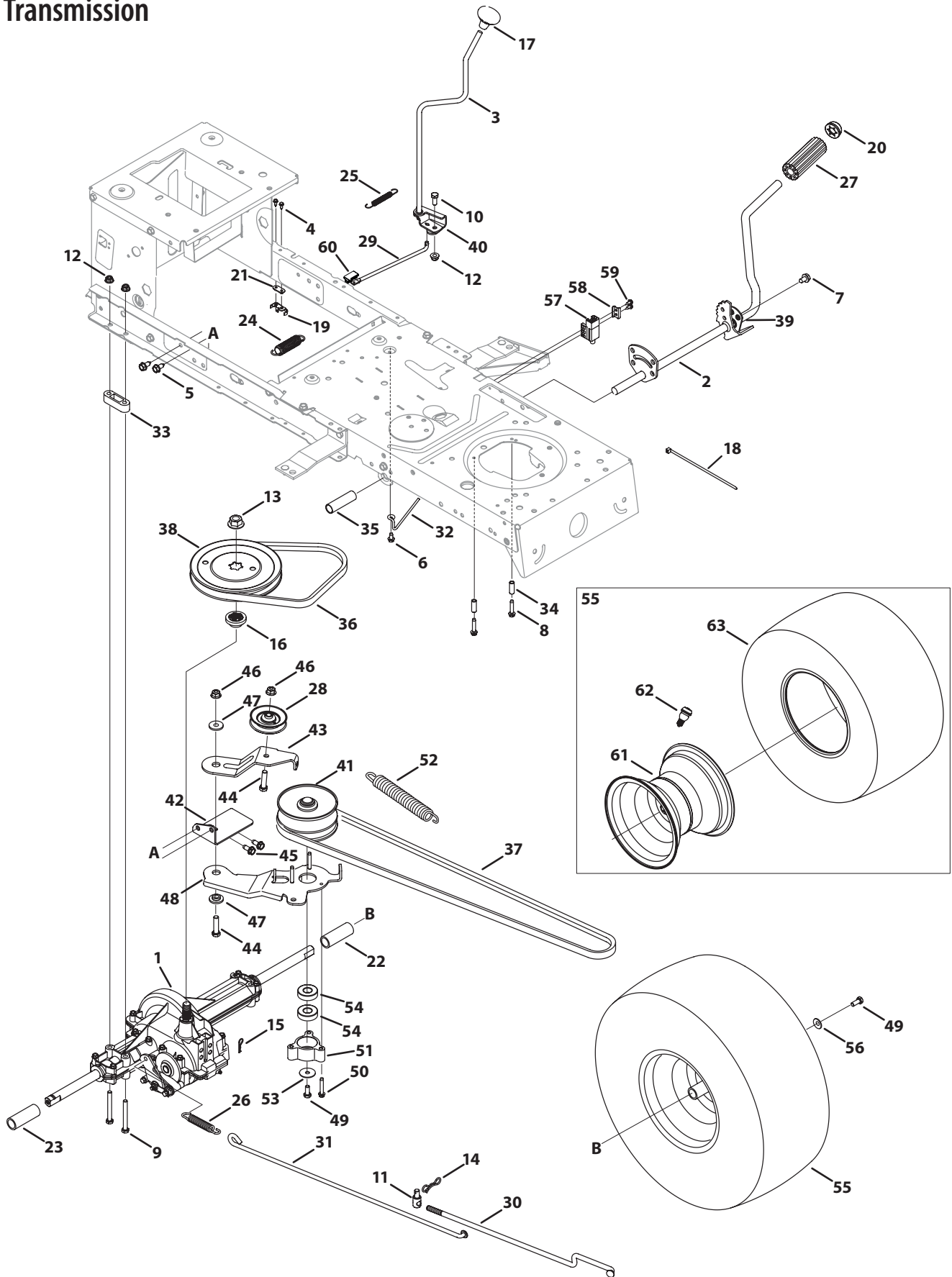


## Seat and Fender

| Ref. | Part Number | Description                           | Ref. | Part Number | Description                         |
|------|-------------|---------------------------------------|------|-------------|-------------------------------------|
| 1    | 710-04483   | Screw, 1/4-20 x .500                  | 19   | 735-04047   | Foot Pad, LH                        |
| 2    | 710-04484   | Screw, 5/16-18 x .750                 |      | 723-04026   | Foot Pad, Abrasive, LH              |
| 3    | 710-0599    | Screw Pan Torx Head, 1/4-20 x .500    | 20   | 735-04048   | Foot Pad, RH                        |
| 4    | 731-04591A  | Cup Holder                            |      | 723-04025   | Foot Pad, Abrasive, RH              |
| 5    | 736-0607    | Loack Washer, 5/16                    | 21   | 726-04072A  | Ratchet Clip, .250 x .500           |
| 6    | 783-04587C  | Fender - Red                          | 22   | 710-0227    | Screw, 8-18 x .500                  |
| 7    | 783-04843   | Lift Adjuster Bracket - Powder Black  | 23   | 726-0279    | Insulator Plate                     |
| 8    | 783-1489C   | Seat Mount Bracket - Powder Black     | 24   | 925-1303    | Outer Seat SPring                   |
| 9    | 712-04063   | Flangelock Nut, 5/16-18               | 25   | 726-0278    | Insulator Boss Plate                |
| 10   | 732-1184    | Extension Spring                      | 26   | 725-1439    | Inner Seat Spring                   |
| 11   | 936-0108    | Flat Washer, .510x .750 x .033        | 27   | 936-0140    | Flat Washer, .385 x .62 x .063      |
| 12   | 736-0242    | Bell Washer, .340 x .872 x .060       | 28   | 957-04037   | Medium Back Seat, Set-up A          |
| 13   | 938-0296    | Shoulder Screw, 5/16-18 x .437 x .268 |      | 757-04083   | Medium Back Seat, Black, Set-up B   |
| 14   | 783-0209D   | Lift Seat Bracket                     |      | 757-04084   | Medium Back Seat, Yellow, Set-up B  |
| 15   | 783-04081C  | Pivot Seat Manual Adjust Bracket      |      | 757-04099   | Low Back Seat, Black, Set-up B or C |
| 16   | 710-04482   | Hex Head Flange, 3/8-16 x .875        |      | 757-04100   | Low Back Seat, Yellow, Set-up B     |
| 17   | 738-04012A  | Shoulder Screw, 3/8-16 x .625 x .145  |      | 757-04088   | High Back Seat, Black, Set-up B     |
| 18   | 720-04061   | Knob, 3/8-16 x .875                   | 29   | 710-0134    | Screw Carriage, 1/4-20 x .62        |

**NOTE:** Tractor features vary by model. NOT all parts listed above and pictured on the previous page are standard equipment.

# Transmission



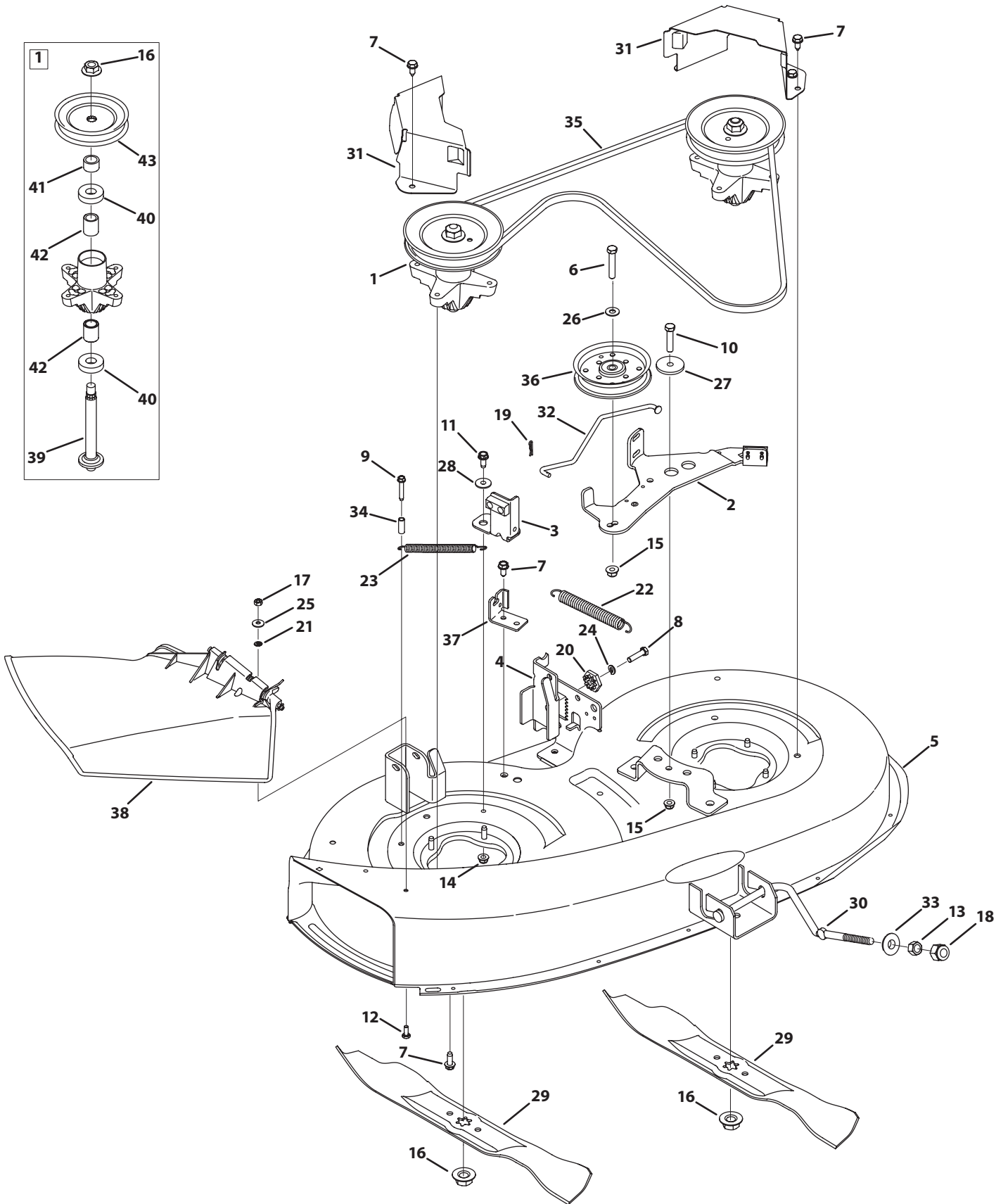


# Transmission

| Ref. | Part Number | Description                        | Ref. | Part Number | Description                        |
|------|-------------|------------------------------------|------|-------------|------------------------------------|
| 1    | 918-04566   | Transmission Drive Assembly        | 33   | 948-0334    | Spacer, T-Axle, 46" Only           |
| 2    | 647-04034C  | Pedal Assembly                     | 34   | 750-0566A   | Spacer, .260 x .375 x 1.030 LG     |
| 3    | 647-04035   | Shaft Lever Assembly               | 35   | 750-0802    | Spacer, .640 ID x .76 OD x 2.63    |
| 4    | 710-0227    | Screw, 8-18:0.500                  | 36   | 954-0241A   | V Belt, 5L 35.25 POLY              |
| 5    | 710-04484   | Screw, 5/16-18 x .750              | 37   | 954-04249   | V Belt, 5L 70.90 POLY              |
| 6    | 710-0599    | Screw, 1/4-20 x 0.500              | 38   | 956-04002   | V Pulley 7.25 DIA SPUN             |
| 7    | 710-0604A   | Screw, 5/16-18 x 0.625             | 39   | 783-04536B  | Pedal Support Bracket              |
| 8    | 710-0809    | Screw, 1/4-20 x 1.250              | 40   | 783-04595A  | Shaft Adjust Bracket               |
| 9    | 710-1266    | Hex Screw, 5/16-18 x .625          | 41   | 956-04015A  | Variable Speed Pulley Assembly     |
|      | 710-0176    | Hex Screw, 5/16-18 x 2.75          | 42   | 683-04176A  | Transmission Bracket Assembly      |
| 10   | 710-3008    | Hex Screw, 5/16-18 x .75           | 43   | 683-04207   | Idler Bracket Assembly             |
| 11   | 911-04075A  | Ferrule, 3/8-24 X .375 DIA.        | 44   | 710-0347    | Hex Screw, 3/8-16 x 1.75           |
| 12   | 712-04063   | Flangelock Nut, 5/16-18            | 45   | 710-1260A   | Screw, 5/16-18 x 0.750             |
| 13   | 712-0700    | Flange Nut, 9/16-18                | 46   | 712-04065   | Flangelock Nut, 3/8-16             |
| 14   | 914-0209    | Cotter Pin INT- .125 DIA           | 47   | 938-0347    | Shoulder Spacer, .625 ID x .169    |
| 15   | 714-04040   | Bow-Tie Cotter Pin, 72             | 48   | 683-04206   | Bracket Assembly                   |
| 16   | 718-04407   | Pulley Hub, 5/8 SPLINE             | 49   | 710-0627    | Hex Screw, 5/16-24 x .750          |
| 17   | 720-04028   | Shift Knob                         | 50   | 710-0778    | Screw, 1/4-20 x 1.500              |
| 18   | 725-0157    | Cable Tie                          | 51   | 718-04261   | Bearing Cup                        |
| 19   | 725-1644    | Short Spring Switch                | 52   | 732-0459C   | Extension Spring, .94 OD x 6.74 LG |
| 20   | 726-0214    | Push Cap, 5/8                      | 53   | 736-0362    | Flat Washer, .330 x 1.25 x .06:HT  |
| 21   | 926-0320    | Plate Insulator Nut                | 54   | 941-0600    | Ball Bearing, 17 x 40 x 12         |
| 22   | 731-04602   | Sleeve, .758 x .821 x 3.3125       | 55   | 634-04324   | Wheel, 20 x 8 x 8, 38"             |
| 23   | 731-04604   | Sleeve, .758 x .821 x 2.4375       |      | 634-0104    | Wheel, 20 x 8 x 8, 42/46"          |
| 24   | 732-04306   | Spring Extension, .80 OD x 3.28 LG | 56   | 736-0242    | Bell Washer, .340 x .872 x .060    |
| 25   | 732-04488   | Spring Extension, .38 OD x 3.25 LG | 57   | 725-04363   | Switch Interlock                   |
| 26   | 732-0716D   | Spring Extension, .59 OD x 4.00 LG | 58   | 17962       | Plate Switch                       |
| 27   | 735-0239    | Foot Pad, 4.0 LONG                 | 59   | 738-04237A  | Shoulder Screw, #10-32 x .500      |
| 28   | 756-04325   | Idler Pulley                       | 60   | 731-06894   | Shift Plate Bearing                |
| 29   | 747-05243   | Shift Rod, 46"                     | 61   | 634-04369   | Rim, 8.0 x 7.0 x .750, 38/42/46"   |
|      | 747-05244   | Shift Rod, 38/42"                  | 62   | 734-0255    | Valve, tubeless Air                |
| 30   | 747-05186   | Variable Speed Control Rod         | 63   | 734-1730    | Tire, 20 X 8 X 8 Sq Shldr, 42/46"  |
| 31   | 747-04733A  | Brake Rod                          |      | 734-04240A  | Tire, 20 X 8 X 8 Rd Shldr, 38"     |
| 32   | 747-04969   | Belt Keeper Rod                    |      |             |                                    |

**NOTE:** Tractor features vary by model. NOT all parts listed above and pictured on the previous page are standard equipment.

# 38" Deck

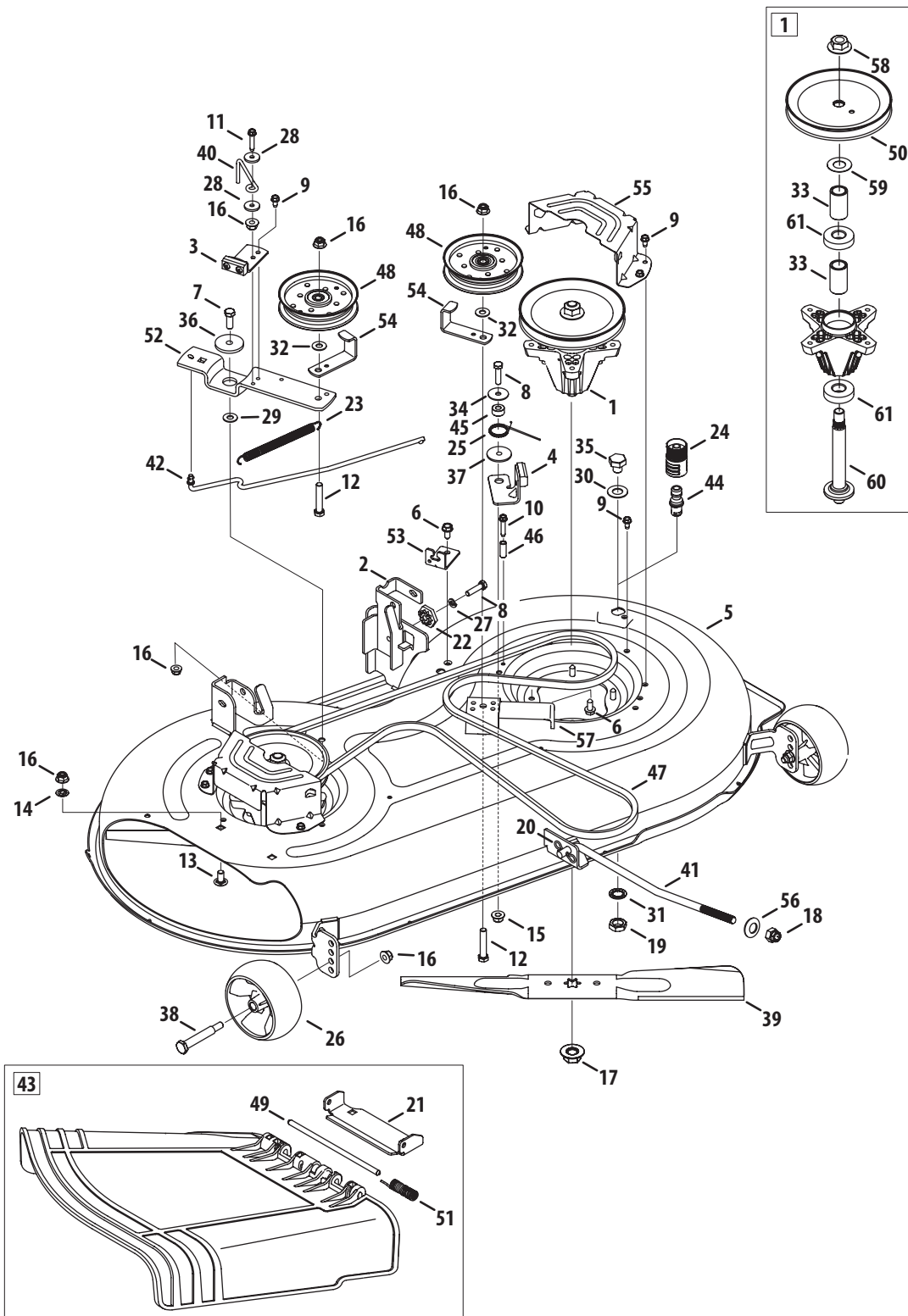


## 38" Deck

| Ref. | Part Number | Description                   | Ref. | Part Number | Description                           |
|------|-------------|-------------------------------|------|-------------|---------------------------------------|
| 1    | 918-04474A  | 5.75" Pulley Spindle Assembly | 23   | 732-04287   | Extension Spring, .500 x 6.375        |
| 2    | 683-04138B  | Deck Brake Assembly           | 24   | 936-0119    | Lock Washer, 5/16                     |
| 3    | 683-04167   | Deck Brake Assembly           | 25   | 736-0270    | Bell Washer, .265 x .75 x .062        |
| 4    | 683-04228   | LH Deck Hanger Bracket        | 26   | 936-0300    | Flat Washer, .406 x .875 x .059       |
| 5    | 983-04263   | 38" Deck Assembly             | 27   | 738-04162A  | Shoulder Spacer, .8840 x .190         |
| 6    | 710-0347    | Hex Screw, 3/8-16 x 1.75      | 28   | 738-04166   | Shoulder Spacer, .5000 x .1475        |
| 7    | 710-04484   | Screw, 5/16-18 x .750         | 29   | 942-0610A   | 3 in 1 Blade                          |
| 8    | 710-0528    | Hex Screw, 5/16-18 x 1.25     | 30   | 747-04322   | 38" Front Adjust Deck Rod             |
| 9    | 710-0778    | Screw, 1/4-20 x 1.50          | 31   | 783-04602A  | Belt Cover                            |
| 10   | 710-3005    | Hex Screw, 3/8-16 x 1.25      | 32   | 747-04381   | 38" Brake Control Rod                 |
| 11   | 710-3008    | Hex Screw, 5/16-18 x .75      | 33   | 748-04069   | Deck Lift, Pivot Cup                  |
| 12   | 710-3015    | Hex Screw, 1/4-20 x .75       | 34   | 750-0566A   | Spacer, .260 x .375 x 1.030           |
| 13   | 912-0206    | Hex Nut, 1/2-13               | 35   | 954-04062   | V Type Belt                           |
| 14   | 712-04063   | Flangelock Nut, 5/16-18       | 36   | 756-04129B  | Idler Pulley                          |
| 15   | 712-04065   | Flangelock Nut, 3/8-16        | 37   | 783-04740   | Deck Engage Cable Bracket             |
| 16   | 712-0417A   | Flange Nut, 5/8-18            | 38   | 631-0216A   | Chute Assembly                        |
| 17   | 712-3006    | Hex Nut, 1/4-20               |      | 931-1032B   | Chute Assembly                        |
| 18   | 712-3083    | Hexlock Nut, 1/2-13           | 39   | 938-04241   | Spindle Shaft, 5.50                   |
| 19   | 914-0104    | Cotter Pin, .072 Diameter     | 40   | 941-0919    | Ball Bearing, .787ID x 1.85 OD x .551 |
| 20   | 917-04074   | Deck Adjuster Gear            | 41   | 750-04739   | Spacer, .820 x 1.150 x .480 LG        |
| 21   | 726-0233    | Push Nut, .25 x .50           | 42   | 750-1000    | Spacer, .80 x 1.10 x 1.322 LG         |
| 22   | 732-04280B  | Extension Spring, .75 x 6.375 | 43   | 756-1188    | Deck Pulley, 5.75                     |

**NOTE:** Tractor features vary by model. NOT all parts listed above and pictured on the previous page are standard equipment.

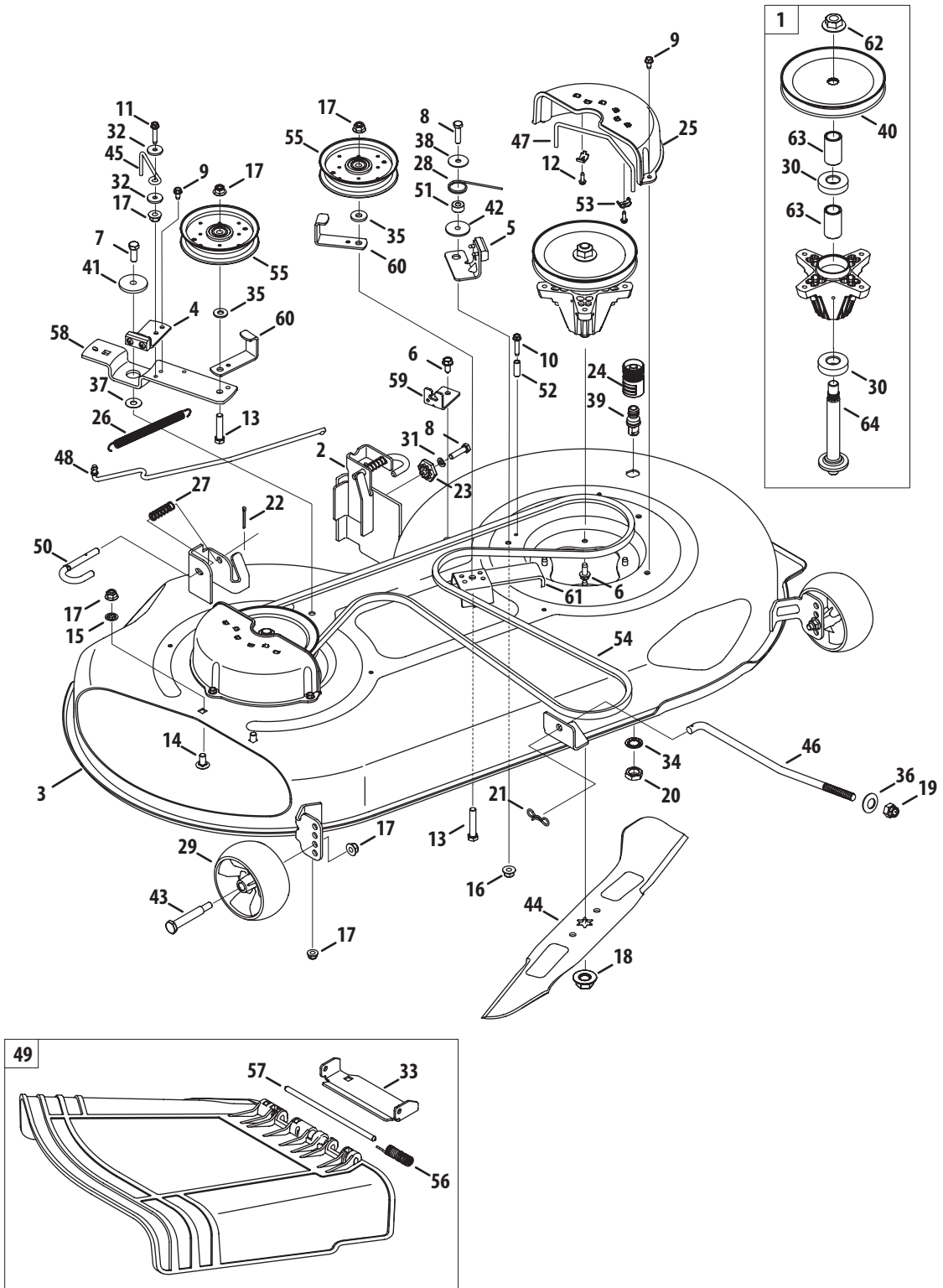
# 42" Deck



| Ref. | Part Number    | Description                      | Ref. | Part Number | Description                       |
|------|----------------|----------------------------------|------|-------------|-----------------------------------|
| 1.   | 918-04822A     | Spdl Asm, Pul, 6.3 Dia           | 31.  | 736-0225    | Wash, Lock, 5/8, Int Tooth        |
| 2.   | 683-0254B-4008 | Brkt Asm, Deck, Hngr Lh Lt       | 32.  | 736-0262    | Wash, Flat, .385 X .870 X .092    |
| 3.   | 983-04511      | Brake Asm, Deck, 42/46           | 33.  | 750-04936   | Spcr, .792 X 1.060 X 1.860 Lg     |
| 4.   | 983-04525      | Brake Asm, Deck, 46"             | 34.  | 736-0362    | Wash, Flat, .330 X 1.25 X .06, Ht |
| 5.   | 983-04570-4008 | Deck Asm, Sd, Offset, 42 W/O whl | 35.  | 738-04146   | Plug, Bolt, M16 X 1.5             |
|      | 983-04572-4008 | Deck Asm, Sd, Offset, 42 W/ 2whl | 36.  | 738-04162A  | Spcr, Shldr, .8840 X .190         |
| 6.   | 710-04484      | Scr, Tt, 5/16-18, .750, Hxindwsh | 37.  | 738-04166   | Spcr, Shldr, .5000 X .1475        |
| 7.   | 710-0514       | Hhcs, 3/8-16, 1.00, Gr5, Std     | 38.  | 938-3056    | Bolt, Shldr, .496 X 2.50, 3/8-16  |
| 8.   | 710-0528       | Hhcs, 5/16-18, 1.25, Gr5, Std    | 39.  | 942-04308   | Blade, Cut, 21.23" 2-In-1, Econ   |
| 9.   | 710-0599       | Scr, Tt, 1/4-20, 0.500, Hxindwsh | 40.  | 747-04530   | Rod, Keepr, Belt 42 Idler         |
| 10.  | 710-0778       | Scr, Tt, 1/4-20, 1.500, Hxindwsh | 41.  | 747-04944B  | Rod, Lift, Deck, Frt, 13.7        |
| 11.  | 710-0809       | Scr, Tt, 1/4-20, 1.250, Hxindwsh | 42.  | 747-05105   | Rod, Cont, Brake 42"              |
| 12.  | 710-3144       | Hhcs, 3/8-16, 2.00, Gr5, Std     | 43.  | 631-04460   | Chut Asm, 42" Deck, Exp           |
| 13.  | 710-3178       | Bolt, Crg, 3/8-16, 0.75, Gr1     | 44.  | 737-04003D  | Deck Water Nozzle                 |
| 14.  | 712-0229       | Nut, Push, 3/8                   | 45.  | 750-0258    | Spcr, .315 X .750 X .375 Lg       |
| 15.  | 712-04063      | Nut, Flglk, 5/16-18, Grf, Nylon  | 46.  | 750-0566A   | Spcr, .260 X .375 X 1.030 Lg      |
| 16.  | 712-04065      | Nut, Flglk, 3/8-16, Grf, Nylon   | 47.  | 954-04060B  | Belt, V Typ, A Sec X 96.5         |
| 17.  | 712-0417A      | Nut, Flg, 5/8-18                 | 48.  | 756-04129B  | Pul, Idlr, 4.25" Dia              |
| 18.  | 712-04243      | Nut, Flxlk, 1/2-13               | 49.  | 711-04847A  | Pin, Hinge, Dia .3125 X 7.96 Lg   |
| 19.  | 912-0641       | Nut, Hex, M16-1.5 Din 936        | 50.  | 956-1227    | Pul, Deck, 6.3 Dia                |
| 20.  | 714-04043      | Bow-Tie Cotter Pin               | 51.  | 732-04372   | Spr, Torsion, .44 I.D. X 2.0      |
| 21.  | 783-06074A     | Chute Bracket                    | 52.  | 783-05946   | Brkt, Idlr, Piv, 46               |
| 22.  | 917-04074      | Gear, Deck, Adj                  | 53.  | 783-06243   | Brkt, Cbl, Deck Engage            |
| 23.  | 932-0384       | Spr, Extn, .62 Dia X 6.12 Lg     | 54.  | 783-06368   | Brkt, Guard, Belt, 4.25 Pulley    |
| 24.  | 921-04041      | Water Nozzle Adapter             | 55.  | 783-06424A  | Cvr, Belt, Deck, 42               |
| 25.  | 732-04727      | Spr, Torsn, .992 I.D X 1.17 O.D  | 56.  | 748-04069   | Deck Lift Pivot Cup               |
| 26.  | 734-04155      | Whl, Deck, 5.0 Dia Ball          | 57.  | 783-06643   | Brkt, Supt, Deck Stationary Idlr  |
| 27.  | 936-0119       | Wash, Lock, 5/16, Regular Duty   | 58.  | 712-0417A   | Nut, Flg, 5/8-18                  |
| 28.  | 936-0176       | Wash, Flat, .265 X .938 X .120   | 59.  | 936-0351    | Wash, Flat, .760 ldx1.50 Od       |
| 29.  | 936-0344       | Wash, Flat, .385 X 1.0 X .030    | 60.  | 738-1186A   | Shft, Spdl, 6.11 Lg.              |
| 30.  | 736-0187       | Wash, Flat, .64 X 1.24 X .06, Ht | 61.  | 941-0919    | Brg, Ball, .787id X 1.85 Odx.551  |

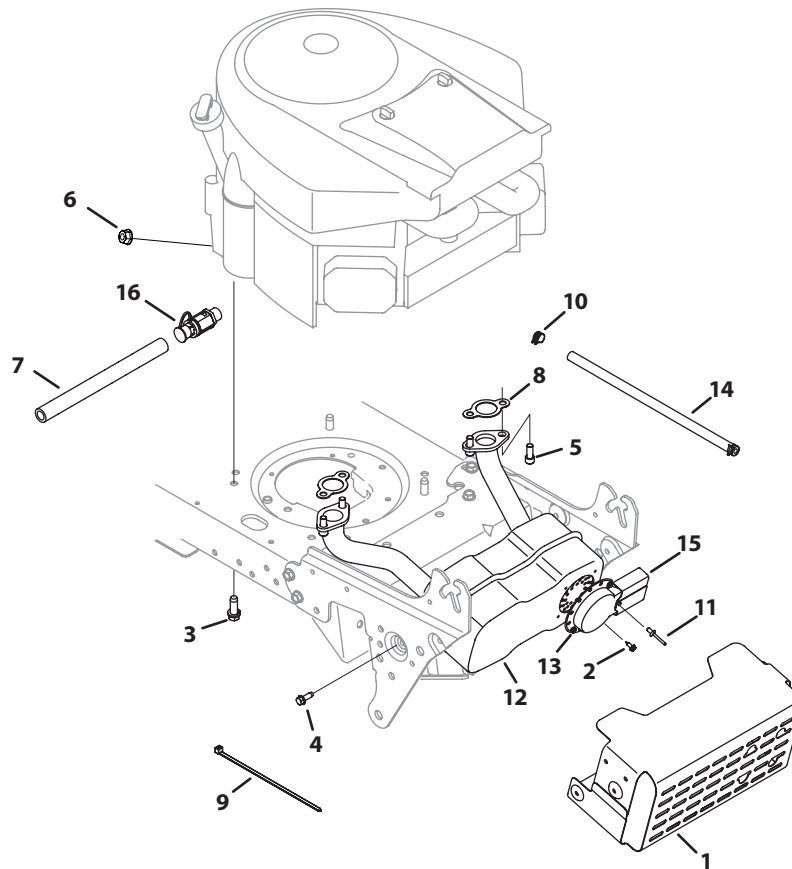
**NOTE:** Tractor features vary by model. NOT all parts listed above and pictured on the previous page are standard equipment.

# 46" Deck



| Ref. | Part Number | Description                         |
|------|-------------|-------------------------------------|
| 1.   | 918-04636A  | Spindle Assembly, Pul 6.93 Dia      |
| 2.   | 683-0254B   | Bracket Assembly, Deck Hanger, LH   |
| 3.   | 683-04578   | Deck Assembly, Offset, 46"          |
| 4.   | 983-04511   | Brake Assembly, Deck, 42/46         |
| 5.   | 983-04525   | Brake Assembly, Deck, 46"           |
| 6.   | 710-04484   | Screw, Self-tapping, 5/16-18, .750, |
| 7.   | 710-0514    | Hex Screw, 3/8-16, 1.00, Gr5, Std   |
| 8.   | 710-0528    | Hex Screw, 5/16-18, 1.25, Gr5, Std  |
| 9.   | 710-0599    | Screw, Self-tapping, 1/4-20, 0.500  |
| 10.  | 710-0778    | Screw, Self-tapping, 1/4-20, 1.500  |
| 11.  | 710-0809    | Screw, Self-tapping, 1/4-20, 1.250  |
| 12.  | 710-1003    | Screw, B, #10-16, 0.625             |
| 13.  | 710-3144    | Hex Screw, 3/8-16, 2.00, Gr5, Std   |
| 14.  | 710-3178    | Bolt, Carriage, 3/8-16, 0.75, Gr1   |
| 15.  | 712-0229    | Nut, Push, 3/8                      |
| 16.  | 712-04063   | Nut, Flange Lock, 5/16-18, Nylon    |
| 17.  | 712-04065   | Nut, Flange Lock, 3/8-16, Nylon     |
| 18.  | 712-0417A   | Nut, Flange, 5/8-18                 |
| 19.  | 712-04243   | Nut, Lock, 1/2-13                   |
| 20.  | 912-0641    | Nut, Hex, M16-1.5                   |
| 21.  | 714-04043   | Bow Tie Cotter Pin                  |
| 22.  | 914-0470    | Pin, Cotter, 1/8 x 1.25             |
| 23.  | 917-04074   | Gear, Deck Adjustment               |
| 24.  | 921-04041   | Adapter, Water Port                 |
| 25.  | 731-06496   | Belt Cover, Universal               |
| 26.  | 932-0384    | Spring, Extension, .62 x 6.12       |
| 27.  | 732-04652   | Spring, Compression, .535 x 1.751   |
| 28.  | 732-04727   | Spring, Torsion, .992 ID x 1.17 OD  |
| 29.  | 734-04155   | Wheel, Deck, 5.0 Dia Ball           |
| 30.  | 941-0919    | Bearing, Ball, .787 x 1.85 x .551   |
| 31.  | 936-0119    | Washer, Lock, 5/16, Regular Duty    |
| 32.  | 936-0176    | Washer, Flat, .265 x .938 x .120    |

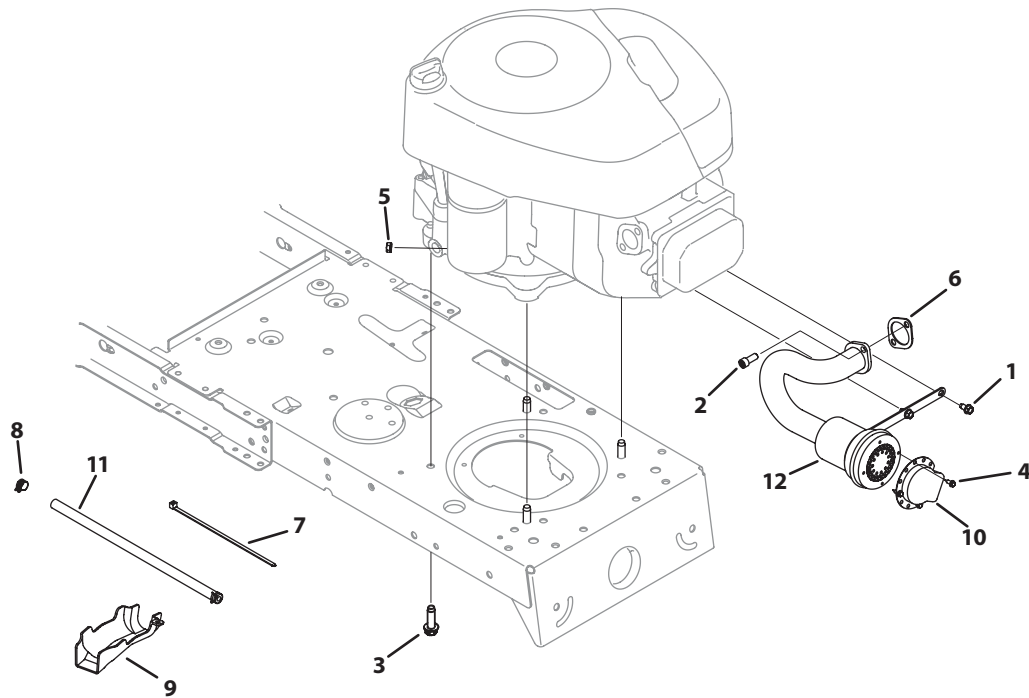
| Ref. | Part Number | Description                         |
|------|-------------|-------------------------------------|
| 33.  | 783-06074   | Bracket, Chute, 46                  |
| 34.  | 736-0225    | Washer, Lock, 5/8, Int Tooth        |
| 35.  | 736-0262    | Washer, Flat, .385 x .870 x .092    |
| 36.  | 748-04069   | Deck Pivot Cup                      |
| 37.  | 936-0344    | Washer, Flat, .385 x 1.0 x .030     |
| 38.  | 736-0362    | Washer, Flat, .330 x 1.25 x .06, Ht |
| 39.  | 737-04003D  | Deck Port, Water                    |
| 40.  | 756-04356   | Pulley, Deck, 6.93 Dia              |
| 41.  | 738-04162A  | Spacer, Shoulder, .8840 x .190      |
| 42.  | 738-04166   | Spacer, Shoulder, .5000 x .1475     |
| 43.  | 938-3056    | Bolt, Shoulder, .496 x 2.50, 3/8-16 |
| 44.  | 942-04290   | Blade, Cut, 23.25" 2-In-1           |
| 45.  | 747-04530   | Rod, Belt Keeper, 42 Idler          |
| 46.  | 747-05141A  | Rod, Lift, Deck                     |
| 47.  | 747-05011   | Rod, Keeper, Belt                   |
| 48.  | 747-05052   | Rod, Control, Brake 46"             |
| 49.  | 631-04288   | Chute Assembly, 46" Offset Cub      |
| 50.  | 747-1116    | Rod, Deck Release                   |
| 51.  | 750-0258    | Spacer, .315 x .750 x .375          |
| 52.  | 750-0566A   | Spacer, .260 x .375 x 1.030         |
| 53.  | 751B221535  | Clamp, Casing                       |
| 54.  | 954-04219   | Belt, V-Type, A-Sec                 |
| 55.  | 756-04129B  | Pulley, Idler, 4.25" Dia            |
| 56.  | 732-04372   | Spring, Torsion, .44 I.D. x 2.0     |
| 57.  | 711-04847A  | Pin, Hinge, 7.96                    |
| 58.  | 783-05946   | Bracket, Idler, Pivot, 46           |
| 59.  | 783-06243   | Bracket, Cable, Deck Engagement     |
| 60.  | 783-06368   | Bracket, Guard, Belt, 4.25 Pulley   |
| 61.  | 783-06643   | Bracket, Support, Deck Idler        |
| 62.  | 712-0417A   | Nut, Flange, 5/8-18                 |
| 63.  | 750-04936   | Spacer, .792 x 1.060 x 1.860 Lg     |
| 64.  | 738-1186A   | Shaft, Spindle, 6.11 Lg.            |



| Ref. | Part Number  | Description                       |
|------|--------------|-----------------------------------|
| 1    | 683-04549    | Muffler Shield Assembly with Weld |
| 2    | 710-0227     | Screw, 8-18 x .500                |
| 3    | 710-04683    | Screw, 3/8-16 x 1.0               |
| 4    | 710-0642     | Screw, 1/4-20 x .750              |
| 5    | 710-1314A    | Socket Screw, 5/16-18 x .750      |
| 6    | 712-0271     | Sems Nut, 1/4-20                  |
| 7    | 751-3141-14  | Extension Hose, Oil Drain         |
| 8    | 721-0460     | Twin Intek, Exhaust Gasket        |
| 9    | 725-0157     | Cable Tie                         |
| 10   | 726-0205     | Clamp Hose, .490 diameter         |
| 11   | 728-04000    | Rivet, .188 x .300                |
| 12   | 751-10542    | Briggs Intek, Twin Muffler        |
| 13   | 751-0564B    | Muffler Deflector                 |
| 14   | 751-10349-28 | Fuel Hose, Low Permeation         |
| 15   | 751-10353    | Muffler Deflector Long            |
| 16   | 951-10517A   | Oil Drain                         |

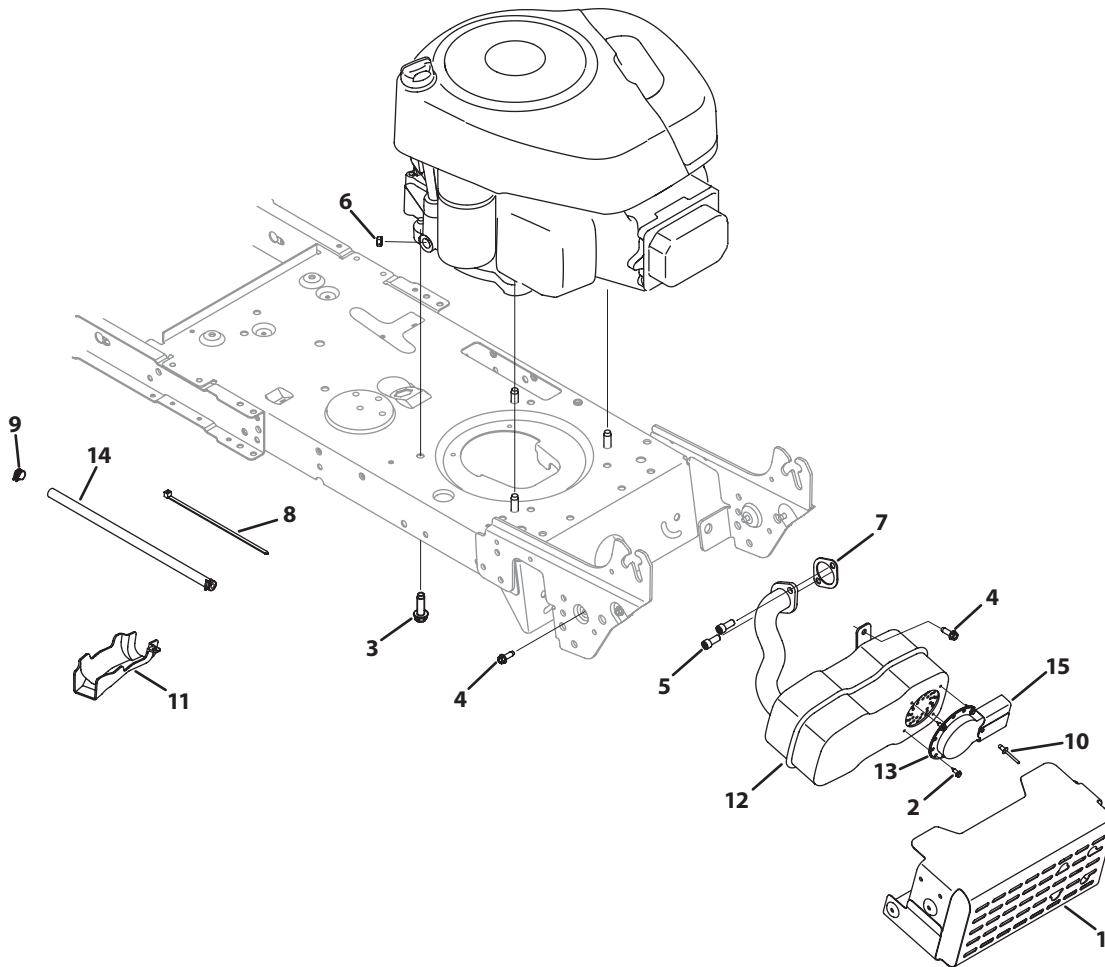
NOTE: Tractor features vary by model. NOT all parts listed and pictured above are standard equipment.





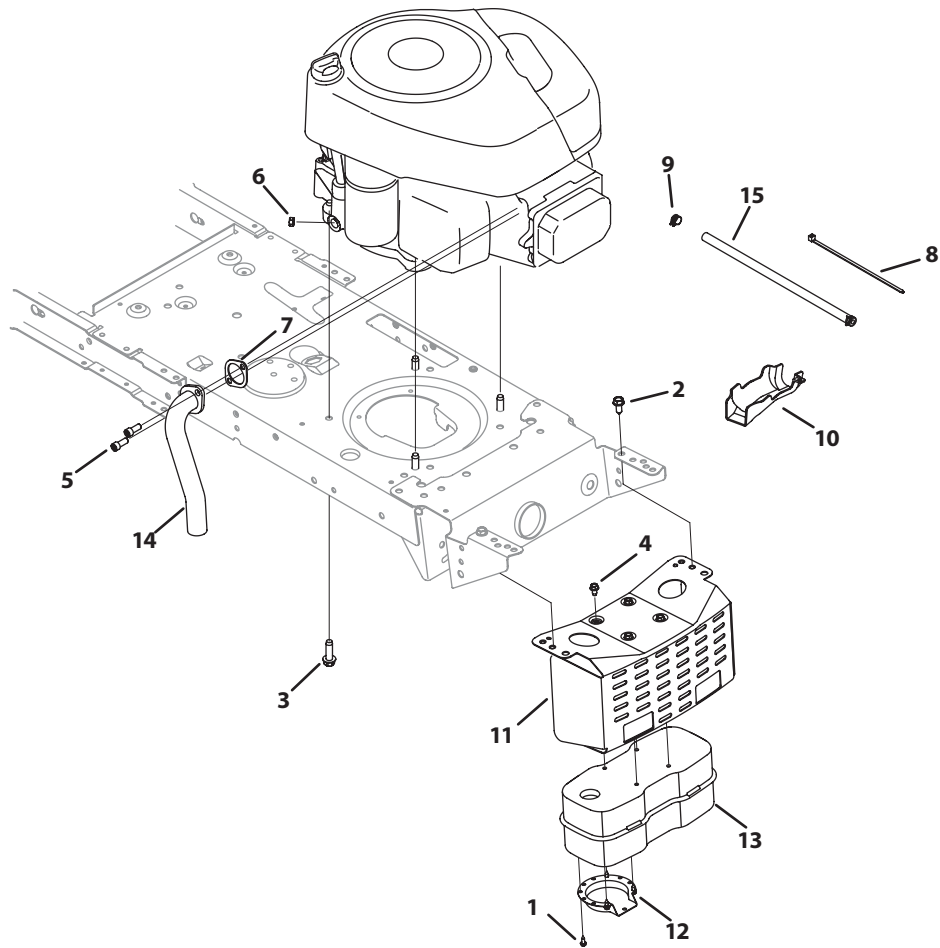
| Ref. | Part Number  | Description                  |
|------|--------------|------------------------------|
| 1    | 710-0599     | Screw, 1/4-20 x .500         |
| 2    | 710-1314A    | Socket Screw, 5/16-18 x .750 |
| 3    | 710-04683    | Screw, 3/8-16 x 1.0          |
| 4    | 710-0227     | Screw, 8-18 x .500           |
| 5    | 712-0271     | Sems Nut, 1/4-20             |
| 6    | BS-692236    | Exhaust Gasket, 10 HP Briggs |
| 7    | 725-0157     | Cable Tie                    |
| 8    | 726-0205     | Clamp Hose, .490 diameter    |
| 9    | 731-05628    | Oil Drain Sleeve             |
| 10   | 751B222261   | Muffler Deflector            |
| 11   | 751-10349-28 | Fuel Hose, Low Permeation    |
| 12   | 751-9986A    | Muffler                      |

NOTE: Tractor features vary by model. NOT all parts listed and pictured above are standard equipment.



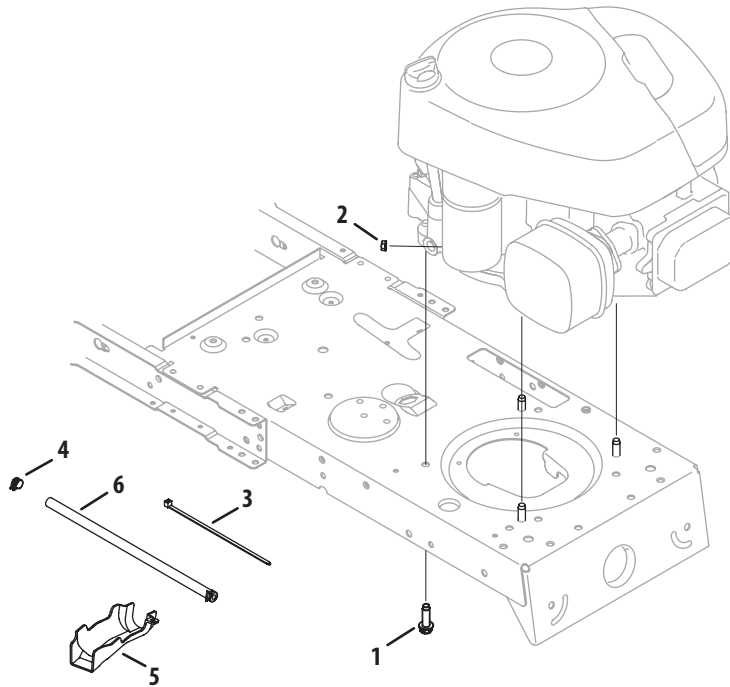
| Ref. | Part Number  | Description                       |
|------|--------------|-----------------------------------|
| 1    | 683-04549    | Muffler Shield Assembly with Weld |
| 2    | 710-0227     | Screw, 8-18 x .500                |
| 3    | 710-04683    | Screw, 3/8-16 x 1.0               |
| 4    | 710-0642     | Screw, 1/4-20 x .750              |
| 5    | 710-1314A    | Socket Screw, 5/16-18 x .750      |
| 6    | 712-0271     | Sems Nut, 1/4-20                  |
| 7    | BS-692236    | Exhaust Gasket, 10 HP Briggs      |
| 8    | 725-0157     | Cable Tie                         |
| 9    | 726-0205     | Clamp Hose, .490 diameter         |
| 10   | 728-04000    | Rivet, .188 x .300                |
| 11   | 731-05628    | Oil Drain Sleeve                  |
| 12   | 751-10448A   | Muffler, Single Inlet             |
| 13   | 751-0564B    | Muffler Deflector                 |
| 14   | 751-10349-28 | Fuel Hose, Low Permeation         |
| 15   | 751-10353    | Muffler Deflector Long            |

NOTE: Tractor features vary by model. NOT all parts listed and pictured above are standard equipment.



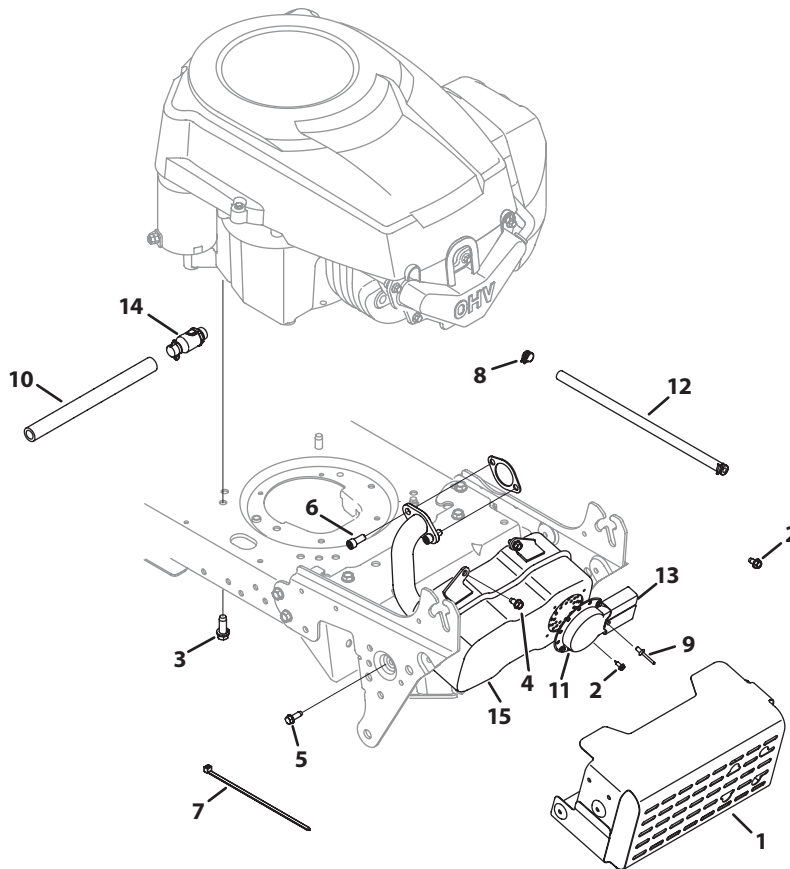
| Ref. | Part Number  | Description                  |
|------|--------------|------------------------------|
| 1    | 710-0227     | Screw, 8-18 x .500           |
| 2    | 710-04484    | Screw, 5/16-18 x .750        |
| 3    | 710-04683    | Screw, 3/8-16 x 1.000        |
| 4    | 710-0599     | Screw, 1/4-20 x .500         |
| 5    | 710-1214     | Socket Screw, 5/16-18 x .750 |
| 6    | 712-0271     | Sems Nut, 1/4-20             |
| 7    | BS-692236    | Exhaust Gasket, 10 HP Briggs |
| 8    | 725-0157     | Cable Tie                    |
| 9    | 726-0205     | Hose Clamp, .490 Diameter    |
| 10   | 731-05628    | Oil Drain Sleeve             |
| 11   | 783-0615E    | Muffler Bracket              |
| 12   | 751-0564B    | Muffler Deflector            |
| 13   | 751-0617C    | Single Inlet Muffler         |
| 14   | 751-0619A    | Exhaust Pipe, Single Briggs  |
| 15   | 751-10349-28 | Fuel Hose, Low Permeation    |

NOTE: Tractor features vary by model. NOT all parts listed and pictured above are standard equipment.



| Ref. | Part Number | Description               |
|------|-------------|---------------------------|
| 1    | 710-04683   | Screw, 3/8-16 x 1.0       |
| 2    | 712-0271    | Sems Nut, 1/4-20          |
| 3    | 725-0157    | Cable Tie                 |
| 4    | 726-0205    | Clamp Hose, .490 diameter |
| 5    | 731-05628   | Oil Drain Sleeve          |
| 6    | 751-10349   | Fuel Hose, Low Permeation |

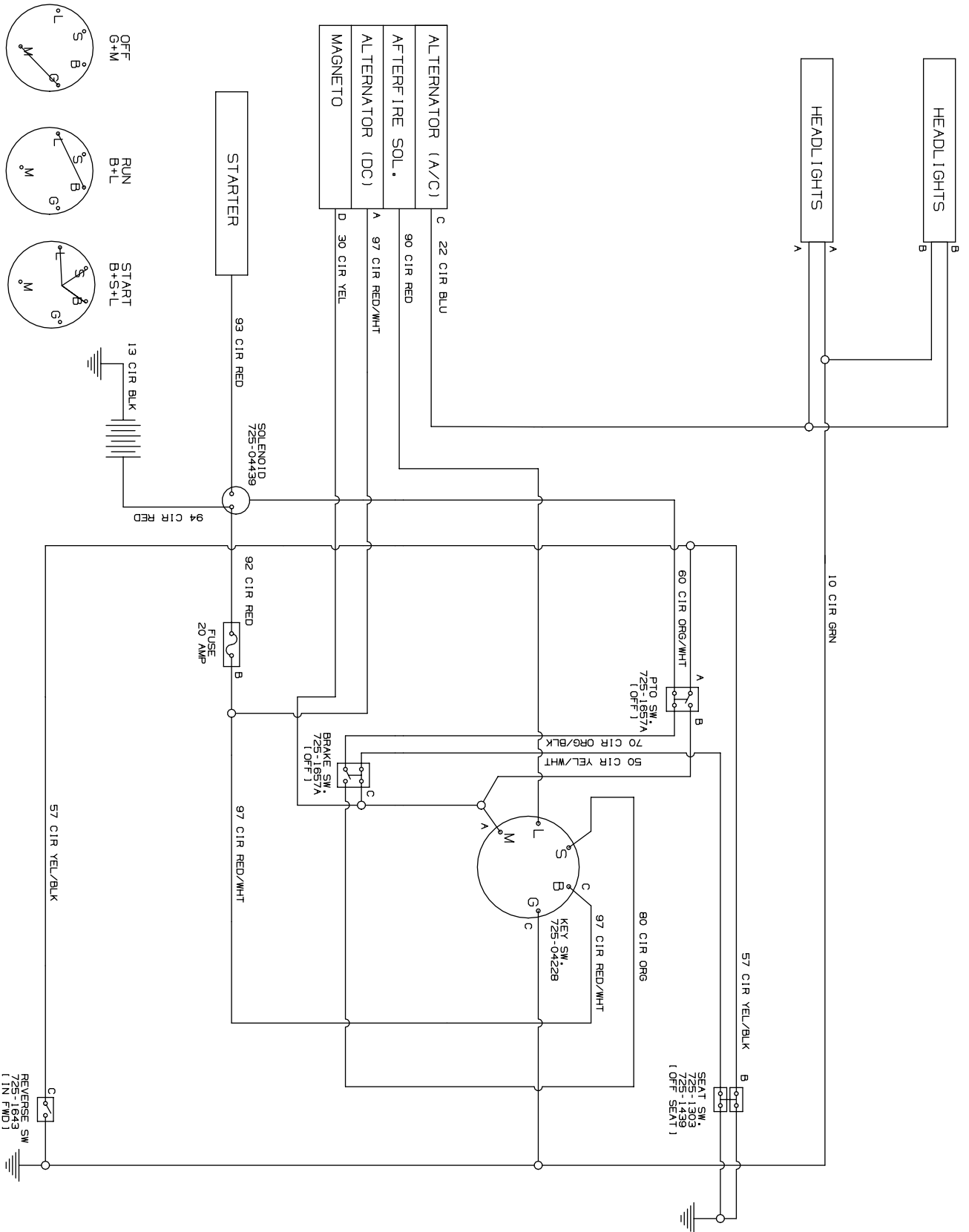
NOTE: Tractor features vary by model. NOT all parts listed and pictured above are standard equipment.



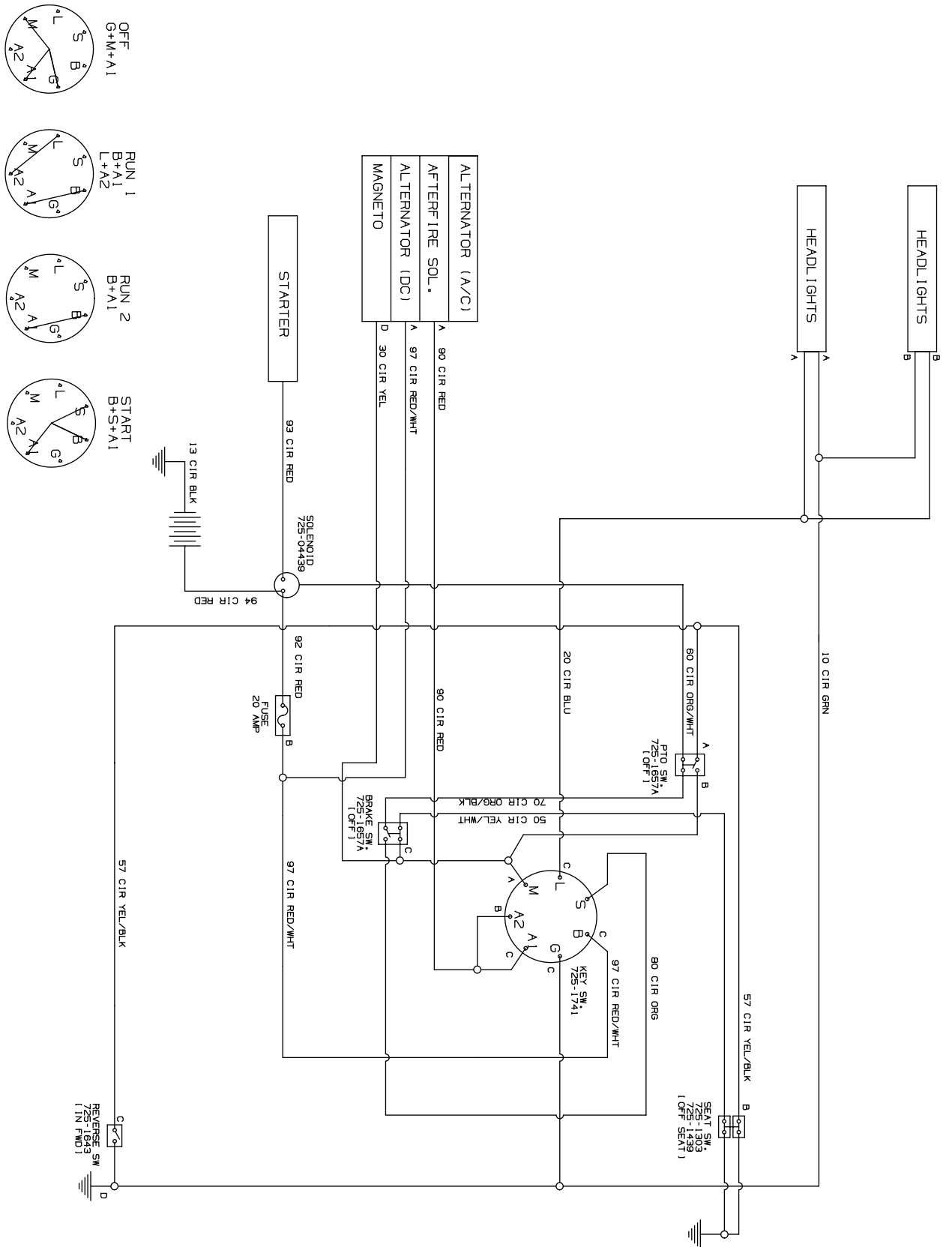
| Ref. | Part Number  | Description                       |
|------|--------------|-----------------------------------|
| 1    | 683-04549    | Muffler Shield Assembly with Weld |
| 2    | 710-0227     | Screw, 8-18 x .500                |
| 3    | 710-04683    | Screw, 3/8-16 x 1.0               |
| 4    | 710-0599     | Screw, 1/4-20 x .500              |
| 5    | 710-0642     | Screw, 1/4-20 x .750              |
| 6    | 710-1314A    | Socket Screw, 5/16-18 x .750      |
| 7    | 725-0157     | Cable Tie                         |
| 8    | 726-0205     | Clamp Hose, .490 diameter         |
| 9    | 728-04000    | Rivet, .188 x .300                |
| 10   | 751-3141-14  | Oil Drain, Extension Hose         |
| 11   | 751-0564B    | Muffler Deflector                 |
| 12   | 751-10349-28 | Fuel Hose, Low Permeation         |
| 13   | 751-10353    | Muffler Deflector Long            |
| 14   | 951-10517A   | Oil Drain                         |
| 15   | 751-11022A   | Muffler                           |

NOTE: Tractor features vary by model. NOT all parts listed and pictured above are standard equipment.

# Wiring Harness Schematic - 725-04567D



# Wiring Harness Schematic - 725-04481





To order replacement parts or locate your nearest service dealer call a Customer Support at (800) 800-7310.  
or visit [www.mtdproducts.com](http://www.mtdproducts.com) to find the nearest authorized dealer in your area.

---

**MTD LLC, P.O. BOX 361131 CLEVELAND, OHIO 44136-0019**

---