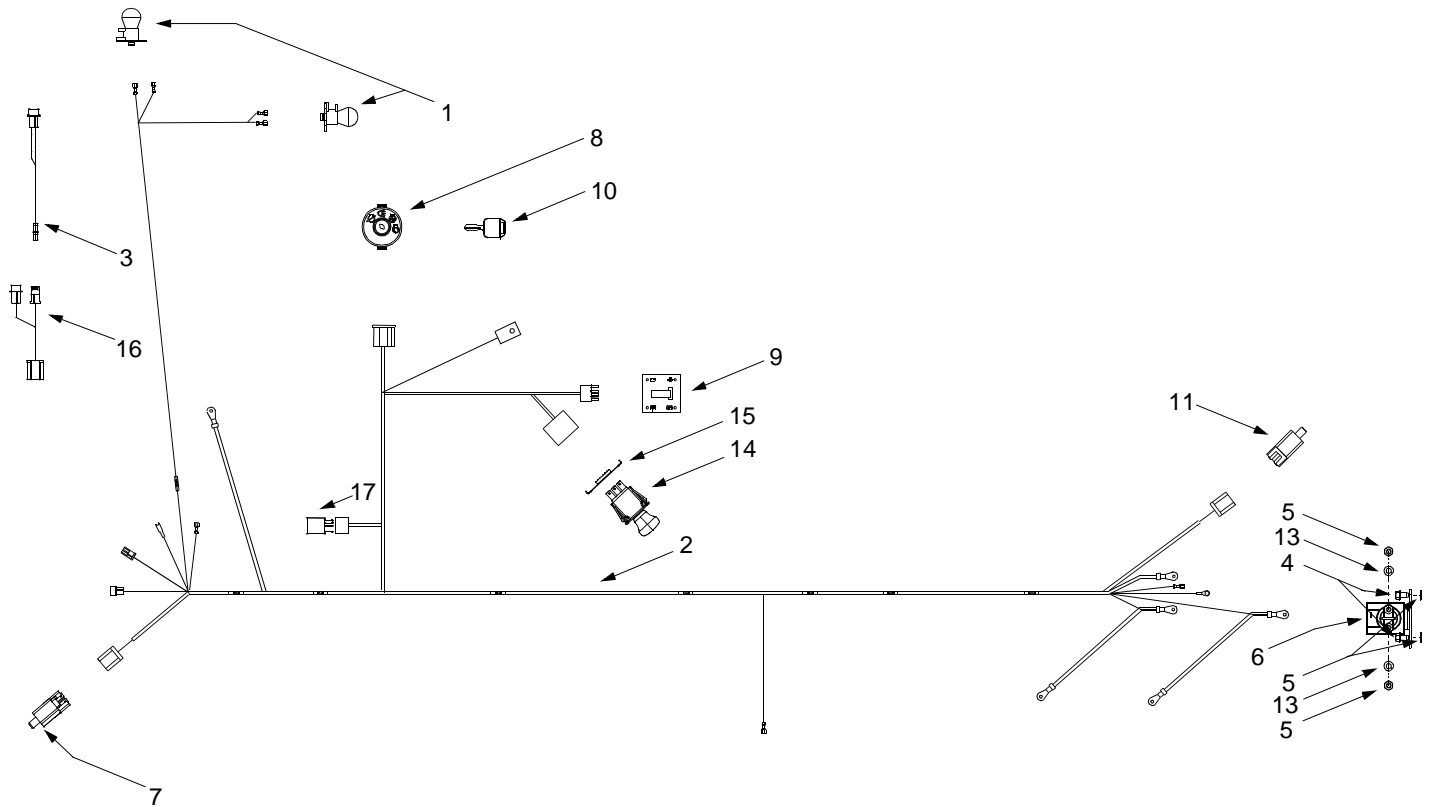
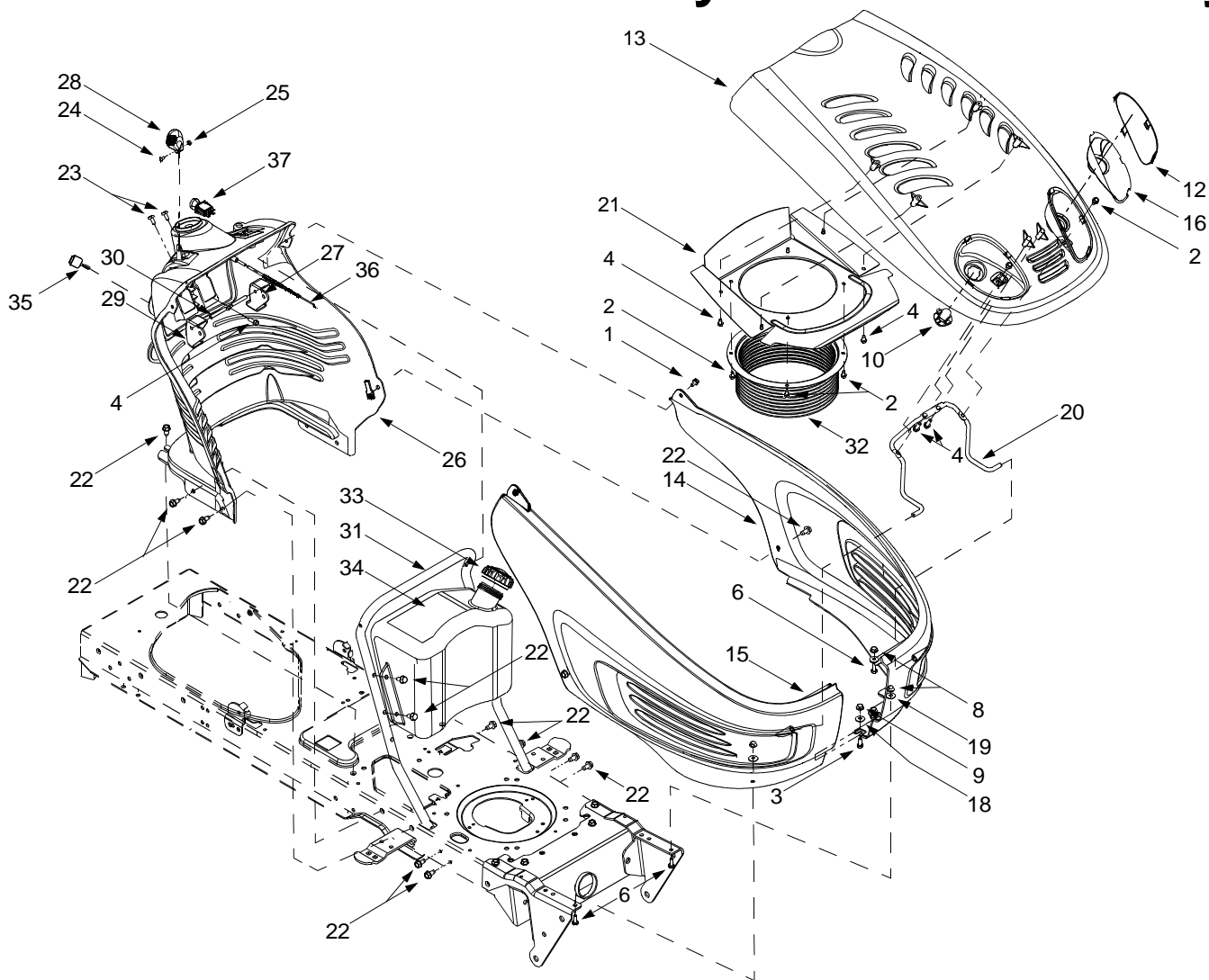


Model 604



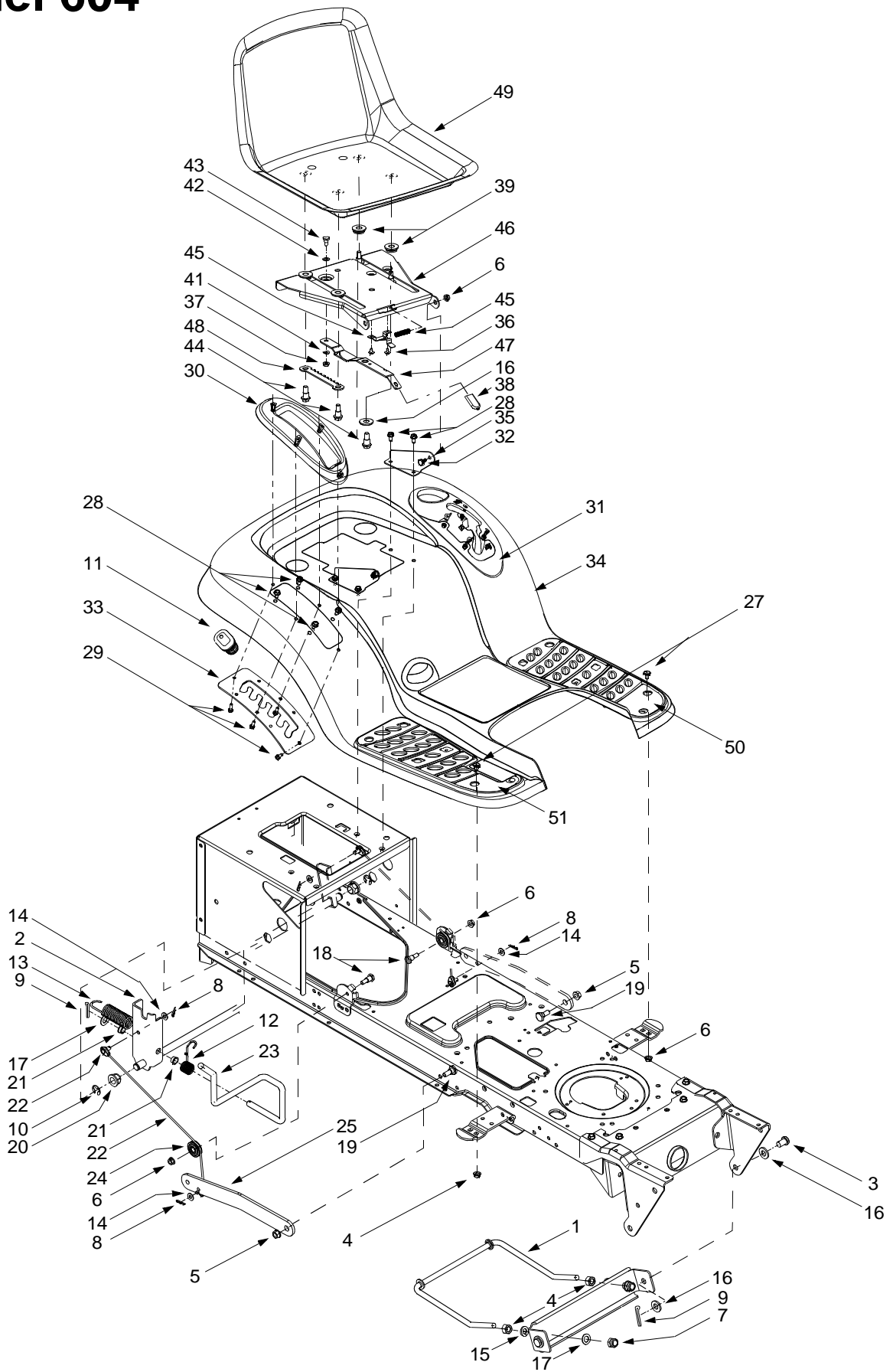
REF. NO.	PART NO.	DESCRIPTION
1	625-0051	Bulb/Socket Headlight Assembly
	725-1739	Bulb Only
	725-1649	Socket Only
2	629-0928	Wiring Harness (Includes Ref 17)
3	629-0126	Alternator Adapter (for Intek engines)
4	710-0599	Self Tapping Screw, 1/4-20 x .5
5	712-3006	Hex Nut, 1/4-20
6	725-1426	Solenoid, 12-volt, 100 Amp
7	725-1657A	Snap Mount Safety Interlock Switch
8	725-1741	Ignition Switch
9	725-1743	Indicator Monitor / Hour Meter
10	725-1745	Ignition Key (w/ plastic cover, shown)
	725-1744	Ignition Key
11	725-1747	Safety Plunger Switch
12	736-0222	External Lock Washer, 1/4
13	736-0329	Lock Washer, 1/4
14	725-1752	Electric PTO Switch
15	783-0462	Retainer Bracket
16	629-0889	Alternator Adapter (for Kohler engines)
17	725-1648	Electric PTO Relay

Electrical System/Tractor Body



REF. NO.	PART NO.	DESCRIPTION	REF. NO.	PART NO.	DESCRIPTION
1	710-0788	Self Tapping Screw, 1/4-20 x 1.0	22	710-0604	Self Tapping Screw, 5/16-18 x .625
2	710-0599	Self Tapping Screw, 1/4-20 x .5	23	710-1017	Torx Self Tapping Screw, 1/4-14 x .625
3	710-0751	Hex Cap Screw, 1/4-20 x .62	24	710-3217	Torx Screw, #8-32 x .375
4	710-0895	Self Tapping Screw, 1/4-15 x .75	25	712-0142	Hex Nut, 8-32
5	710-0924	Pan Phillips Screw, 1/4-20 x .75	26	731-0069	Dash Panel (Manual PTO), 4-style
6	710-3008	Hex Cap Screw, 5/16-18 x .75	27	731-0072	Parking Brake Button
7	712-0292	U-type Speed Nut, 1/4-20	28	731-1857	Throttle Control Lever
8	712-3004A	Flange Lock Nut, 5/16-18	29	731-2106	Cruise Control Button
9	712-3027	Hex Flange Lock Nut, 1/4-20	30	747-1155	Brake/Cruise Pivot Rod
10	725-1649	Head Lamp Socket	31	749-1087	Dash Support Tube
11	731-1978	RH Head Light Lens	32	731-2232	Intake Bellow (Kohler and Intek Single)
12	731-1979	LH Head Light Lens		731-2234	Intake Bellow (Intek Twin)
13	731-1980	Hood, Yellow, 4-style	33	751-0603	Fuel Cap (For Two Gallon Tank, Shown)
14	731-1981	LH Side Panel, Yellow, 4-style		751-0649	Fuel Cap (For Three Gallon Tank)
15	731-1982	RH Side Panel, Yellow, 4-style	34	751-0659	Fuel Tank (Two Gallon, Shown)
16	731-1995	LH Head Light Reflector		751-0658	Fuel Tank (Three Gallon)
17	731-1996	RH Head Light Reflector	35	725-1745	Ignition Key
18	736-0173	Flat Washer, .28 x .74 x .063	36	746-1084	Choke/Throttle Cable (Intek Single)
19	736-3078	Flat Washer, .349 x 1.0 x .063		746-1085	Choke Cable (Intek Twin)
20	747-1132	Hood Support Rod		746-1088	Choke Cable (Kohler)
21	783-0808	Heat Shield, 4-style	37	725-1752	Electric PTO Switch

Model 604



Lift Assembly

REF. NO.	PART NO.	DESCRIPTION	REF. NO.	PART NO.	DESCRIPTION
1	647-0040	Deck Stabilizer Rod	27	710-0260	Carriage Bolt, 5/16-18 x .62
2	683-0197	Lift Shaft Assembly	28	710-0604	Self Tapping Screw, 5/16-18 x .625
3	711-0332	Clevis Pin, .5 x .78	29	710-0895	Self Tapping Screw, 1/4-15 x .75
4	712-0206	Hex Nut, 1/2-13	30	731-1990	Lift Lever Cover
5	712-0431	Flange Lock Nut, 3/8-16	31	731-2104	Shift Lever Cover w/ Cup Holder
6	712-3004A	Flange Lock Nut, 5/16-18	32	738-0155	Shoulder Screw, .437 x 1.62
7	712-3083	Hex Nut, 1/2-13	33	783-0677	Lift Adjustment Bracket
8	714-0104	Internal Cotter Pin	34	783-0685	Fender
9	714-0111	Cotter Pin	35	783-0715	Seat Mounting Bracket
10	716-0106	E-ring	36	710-1268	Screw, #10-16 x .375
11	720-0311	Handle Grip	37	712-3027	Hex Flange Lock Nut, 1/4-20
12	732-0874	Torsion Spring	38	720-0309A	Seat Adjuster Grip
13	732-0934	Lift-assist Spring, 1.15 x 5.99 (Found on Units w/ 46-inch Decks Only)	39	731-1989	Spacer
14	736-0275	Flat Washer, 5/16	40	732-0499	Compression Spring, .41 x 1.5
15	736-0921	Lock Washer, 1/2	41	736-0175	Spring Washer, .265 x .562 x .025
16	736-3019	Flat Washer, .31 x 1.062 x .134	42	736-0204	Flat Washer, .344 x .62 x .03
17	736-3084	Flat Washer, .51 x 1.12 x .06	43	738-0137A	Shoulder Screw, .340 x .285, 1/4-20
18	738-0138	Hex Cap Screw, 5/16-18 x .62	44	738-1007	Shoulder Screw, .50 x .50, 3/8-16
19	738-0380	Shoulder Screw, .5 x .27, 3/8-16	45	783-0611	Seat Stop
20	741-0225	Hex Flange Bearing	46	783-0738	Seat Pivot Bracket
21	741-0715	Snap Flange Bearing	47	783-0739	Seat Adjustment lever
22	746-0968	Lift Cable, 16.16	48	783-0753	Seat Adjustment Selector
23	747-1111	Lift Handle	49	757-0365	Seat, Radiant Yellow
24	756-1154	Roller Pulley		757-0372	Seat, Radiant Yellow w/ Drain Holes
25	783-0678	Arm Lift	50	735-0657	LH Foot Pad
26	783-0720	Deck Stabilizer Bracket	51	735-0656	RH Foot Pad
				726-3046	Foot Pad Clips (Not Shown)

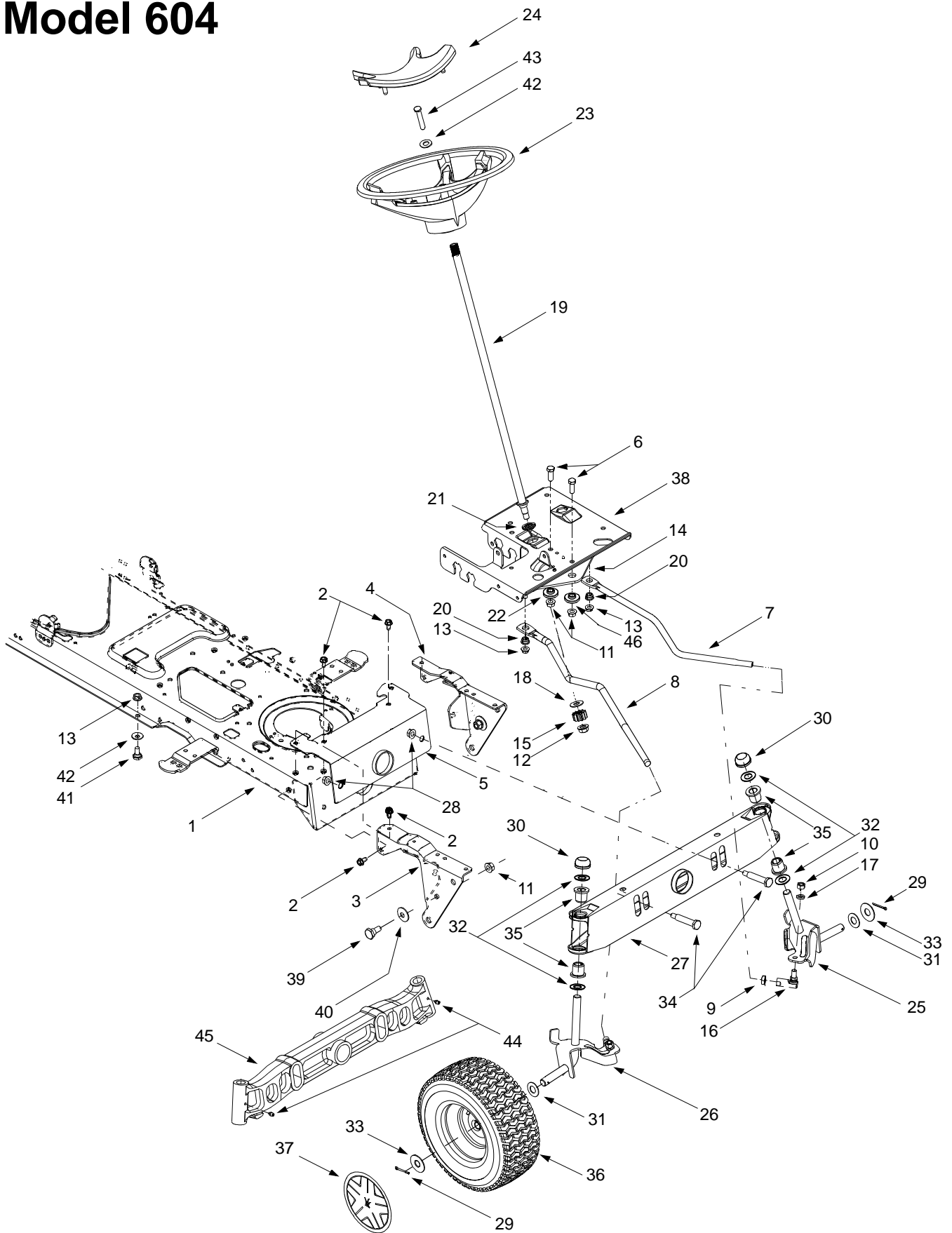
NOTE: For **painted parts**, please refer to the list of color codes below. Please add the applicable color code, wherever needed, to the part number to order a replacement part. For instance, if a part numbered 700-xxxx is painted Yard-Man Green, the part number to order would be 700-xxxx-0665.

Yard-Man Green: 0665

Yard-Man Yellow: 0674

Powder Black: 0637

Model 604



Steering Assembly

REF. NO.	PART NO.	DESCRIPTION	REF. NO.	PART NO.	DESCRIPTION
1	683-0263	Lower Frame Assembly	28	712-0431	Flange Lock Nut, 3/8-16
2	710-0604	Self-tapping Screw, 16-18 x .625	29	714-0470	Cotter Pin
3	783-0726	RH Pivot Support Bracket	30	726-0214	Push Cap, 5/8
4	783-0727	LH Pivot Support Bracket		726-0341	Push Cap, 3/4
5	783-0728	Pivot Bar Bracket	31	736-0162	Flat Washer, .64 x 1.0 x .12
6	710-0514	Hex Cap Screw, 3/8-16 x 1 (Grade 5)	32	736-0187	Flat Washer, .64 x 1.24 x .06
7	711-1409	LH Drag Link		736-0316	Flat Washer, .78 x 1.59 x .06
8	711-1408	RH Drag Link	33	736-0285	Flat Washer, .635 x 1.589 x .06
9	712-0240	Jam Nut, 7/16-20 (Grade 2)	34	738-1011	Shoulder Screw, .5 x 2.2, 3/8-16
10	712-0241	Hex Nut, 3/8-24 (Grade 2)	35	741-0659	Flange Bearing, .632 ID x .937 OD
11	712-0431	Flange Lock Nut, 3/8-16		741-0660	Flange Bearing, .760 ID x .937 OD
12	712-0459	Flange Lock Nut, 7/16-20	36	634-0105A	Wheel Assembly Complete, 15 x 6 x 6
13	712-3004A	Flange Lock Nut, 5/16-18		634-0172	Rim Only
14	717-1550	Steering Gear, 11/90 Ratio		734-0255	Air Valve (Not Shown)
15	717-1554	Steering Pinion Gear		734-1731	Tire Only, Square Shoulder
16	723-0448A	Ball Joint, 7/16-20		741-0487A	Plastic Flange (Not Shown)
17	736-0169	Lock Washer, 3/8		741-0706	Plastic Flange w/ Fitting (Not Shown)
18	736-3084	Flat Washer, .51 x 1.12 x .06	37	734-1787A	Hub Cap, Yellow w/ Sprig Logo
19	738-1001	Steering Shaft, .625 OD x 24.4		727-0425A	Spring Clip (Not Shown)
20	741-0475	Plastic Bushing, .38 ID	38	783-0653	Steering Support Bracket
21	741-0656	Hex Flange Bearing, 5/8	39	738-1020	Shoulder Screw, .625 x .50, 7/16-20
22	748-0416	Shoulder Spacer, .38 ID	40	736-0331	Bell Washer, .39 x 1.13 x .062
23	731-1869	Steering Wheel, .625 Spline	41	738-0140	Shoulder Screw, .435 x .178, 5/16 x .56
24	731-1904	Steering Wheel Cap w/ Logo	42	736-0242	Bell Washer, .34 x .872
25	638-0019	LH Axle Assembly, .625 Diameter	43	710-0643	Hex Bolt, 5/16-18 X 1
	638-0021	LH Axle Assembly, .625 / .750 Diameter	44	737-3000	Grease Fitting (if so equipped)
26	638-0020	RH Axle Assembly, .625 Diameter	45	710-0525	Cast Iron Pivot Bar (if so equipped)
	638-0022	RH Axle Assembly, .625 / .750 Diameter	46	738-0372	Shoulder Spacer, .38
27	683-0128A	Pivot Bar			

NOTE: Units equipped with a 42-inch deck have axles with a .625 diameter.

Units equipped with a 46-inch deck have axles with a .625 / .750 diameter.

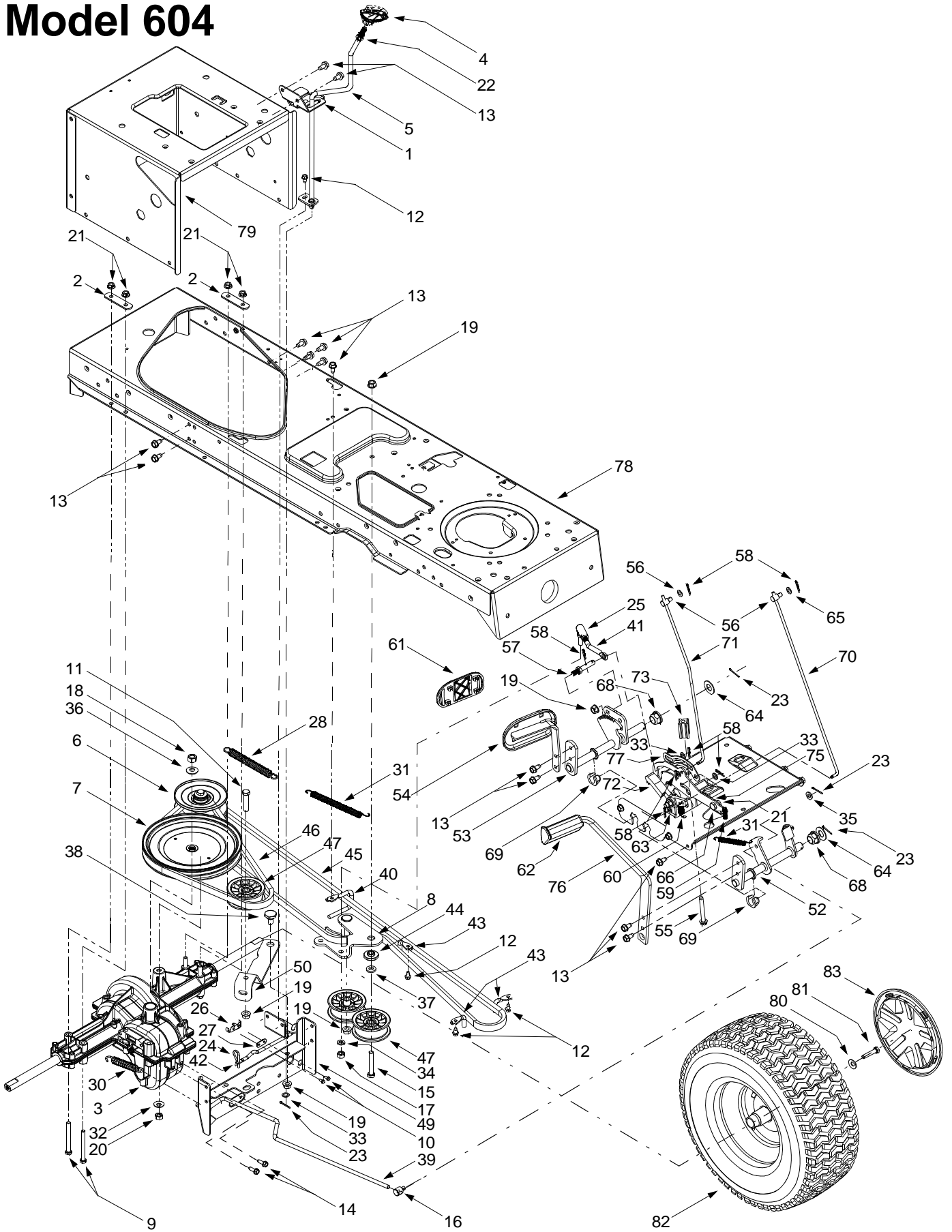
NOTE: For **Painted parts**, please refer to the list of color codes below. Please add the applicable color code, wherever needed, to the part number to order a replacement part. For instance, if a part numbered 700-xxxx is painted Yard-Man Green, the part number to order would be 700-xxxx-0665.

Yard-Man Green: 0665

Yard-Man Yellow: 0674

Powder Black: 0637

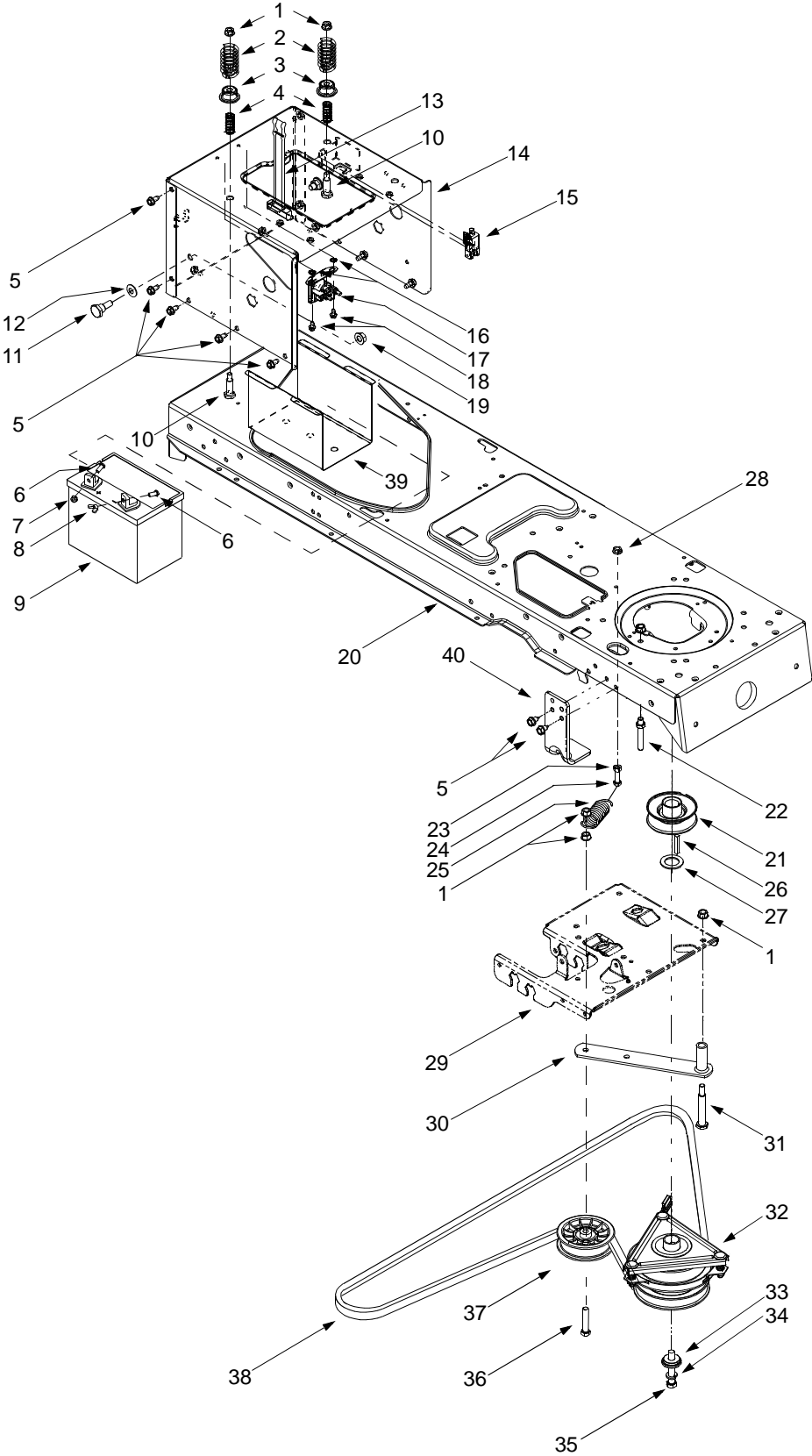
Model 604



Drive System

REF. NO.	PART NO.	DESCRIPTION	REF. NO.	PART NO.	DESCRIPTION
1	17839	Shift Lever Bracket	45	754-0467	Variable-speed Belt
2	17840	Transaxle Mounting Bracket	46	754-0468	Drive Belt
3	618-0386	Single-speed Transmission Assembly	47	756-0981	Flat Idler, 2.75 OD
4	631-0009	Shifter Knob	48	783-0637	Shift Lever Support
5	647-0041	Shift Lever	49	783-0667	Transmission Torque Bracket
6	656-0048	Variable-speed Pulley Assembly	50	783-0669	Idler Bracket
7	656-0051	Transmission Pulley, 8.5 x .5-36	51	783-0714	Adjustable Shift Bracket
8	683-0251	Double-idler Bracket	52	647-0031	Brake Control Assembly
9	710-0189	Hex Cap Screw, 5/16-18 x 3	53	647-0032	Speed Control Assembly
10	710-0227	Self Tapping Screw, #8-18 x .5	54	683-0266	AutoDrive™ Pedal Assembly
11	710-0347	Hex Cap Screw, 3/8-16 x 1.75	55	710-1135	Self Tapping Screw, 5/16-18 x 2.5
12	710-0599	Self Tapping Screw, 1/4-20 x .5	56	711-0736	Ferrule, 1/4-20
13	710-0604	Self Tapping Screw, 5/16-18 x .625	57	711-1363	Pin, 3/8-16 x 2.43
14	710-0642	Self Tapping Screw, 1/4-20 x .75	58	714-0104	Cotter Pin
15	710-3011	Hex Cap Screw, 3/8-16 x 2.25	59	732-0437	Compression Spring, .34 OD x 1.0
16	711-0677	Ferrule, 5/16-18	60	732-0955	Extension Spring, .50 OD x 1.41
17	712-0241	Hex Nut, 3/8-24	61	735-0662	AutoDrive™ Pedal Pad
18	712-0378	Hex Nut, 7/16-20	62	735-3049	Brake Pedal Pad
19	712-0431	Flange Lock Nut, 3/8-16	63	736-0140	Flat Washer, .281 x .5 x .0625
20	712-0798	Hex Nut, 3/8-16	64	736-0187	Flat Washer, .64 x 1.24 x .06
21	712-3004A	Flange Lock Nut, 5/16-18	65	736-0204	Flat Washer, .344 x .062 x .03
22	712-3008	Jam Nut, 3/8-16	66	738-0155	Shoulder Screw, .437 x 1.62
23	714-0111	Cotter Pin	67	738-0507B	Shoulder Screw, .5 x .434
24	714-0149B	Internal Cotter Pin	68	741-0225	Hex Flange Bearing
25	723-0156	Ball Joint, 3/8-24	69	741-3065A	Split Hex Flange Bearing
26	725-1644	Short Spring Switch	70	747-1137	Cruise Control Rod
27	726-0320	Insulator Nut Plate	71	747-1138	Brake Lock Control Rod
28	732-0384	Extension Spring, .62 Dia. x 6.12	72	748-0413	Cruise Latch
29	732-0525	Compression Spring Clip	73	748-0415	Spacer, 5/16 x 1.54
30	732-0716	Extension Spring, .59 OD x 4	74	783-0653	Steering Support Bracket
31	732-0963	Extension Spring, .50 Dia. x 6.37 (hooks to flange, 783-0650, in frame)	75	783-0732	AutoDrive™ Lockout Bracket
32	736-0105	Bell Washer, .401 x .87 x .063	76	783-0773	Brake Pedal
33	736-0140	Flat Washer, .385 x .62 x .063	77	783-0780	Neutral Return Bracket
34	736-0169	Lock Washer, 3/8	78	683-0263	Lower Frame Assembly
35	736-0275	Flat Washer, 5/16	79	783-0668	Hitch Plate
36	736-0407	Bell Washer, .45 x 1.0 x .602	80	736-0242	Bell Washer, .34 x .872
37	736-3010	Flat Washer, .407 x .812 x .135	81	710-0627	Hex Cap Screw, 5/16-24 x .75
38	738-0322	Shoulder Screw, .625 x .217	82	634-0177	Wheel Assembly Complete, 20 x 10 x 8
39	747-1122	Brake Rod		634-0104	Wheel Assembly Complete, 20 x 8 x 8
40	747-1123	Belt Guard		634-0077	Rim Only
41	747-1127	Idler Adjustment Rod, 3/8		734-0255	Air Valve (Not Shown)
42	747-1156	Shift Rod		734-1873	Tire Only, 20 x 10 x 8, Square Shoulder
43	747-1160	Belt Guard Rod		734-1730	Tire Only, 20 x 8 x 8, Square Shoulder
44	748-0416	Shoulder Spacer, .38 ID	83	734-1788A	Hub Cap, Yellow w/ Sprig Logo
				727-0425A	Spring Clip (Not Shown)

Model 604



Power Take-off System

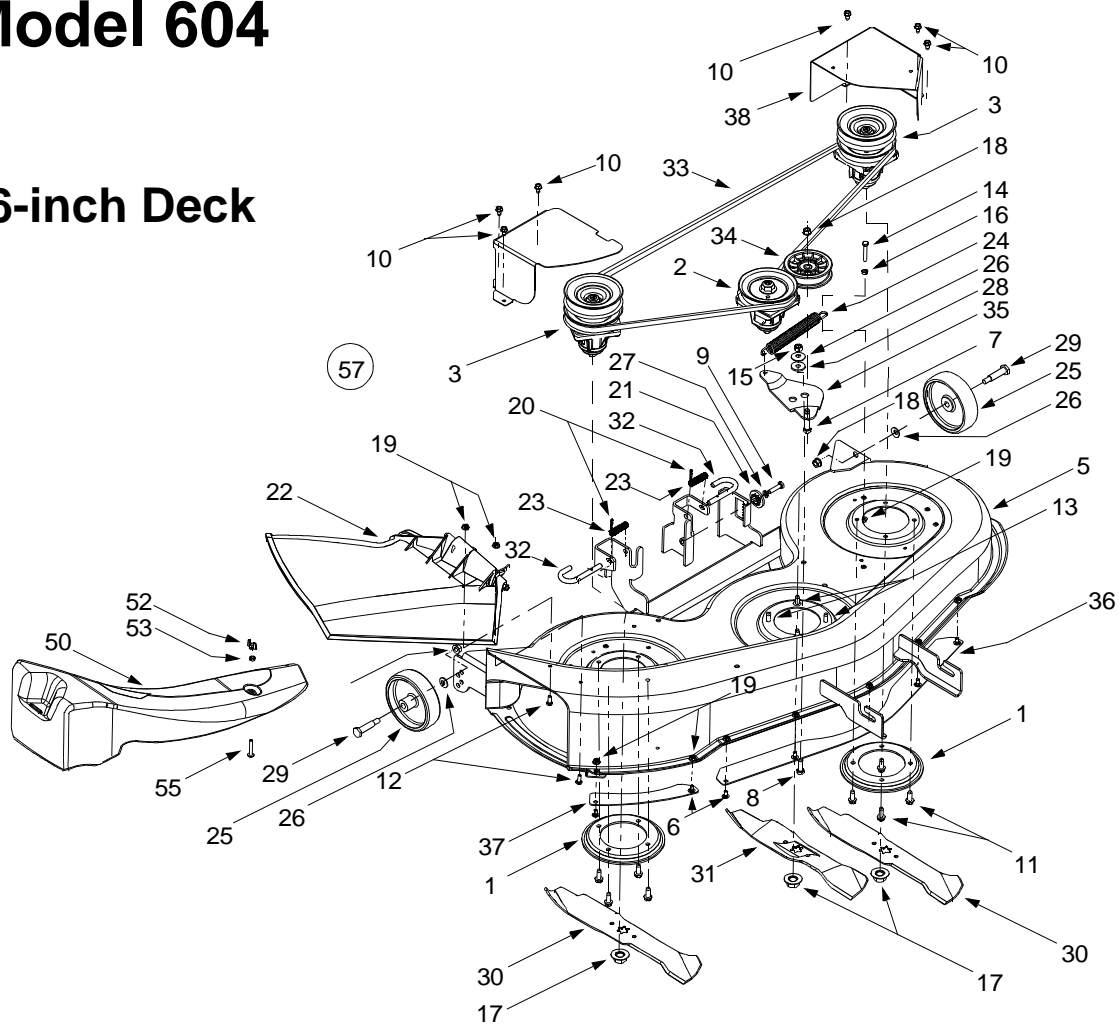
REF. NO.	PART NO.	DESCRIPTION	REF. NO.	PART NO.	DESCRIPTION
1	712-0431	Flange Lock Nut, 3/8-16	22	711-0640	Stud, 3/8-16 x 2.68
2	732-0735	Compression Spring, 1.318 x 2.37	23	712-3010	Hex Nut, 5/16-18
3	783-0733	Spacer Cup, 1.5 OD	24	710-3180	Hex Cap Screw, 5/16-18 x 1.75 (Grade 5)
4	732-0956	Compression Spring, .66 OD x 1.5	25	732-0978	Extension Spring, 1.2 OD x 3.638
5	710-0604A	Self Tapping Screw, 5/16-18 x .625	26	714-0118	Square Key, 1/4 x 1.5
6	710-0751	Hex Cap Screw, 1/4-20 x .62	27	736-0277	Flat Washer, 1.03 x 1.62 x .095
7	712-0271	Hex Sems Nut, 1/4-20	28	712-3004A	Flange Lock Nut, 5/16-18
8	712-3044	Wing Nut, 1/4-20	29	783-0653A	Steering Support Bracket
9	725-1706	12-volt Battery, 270 CCA	30	683-0293	Idler Bracket Assembly (42-inch decks)
10	738-1014	Shoulder Screw, .5 x 1.25, 3/8-16		683-0197	Idler Bracket Assembly (46-inch decks)
11	738-1020	Shoulder Screw, .625 x .5, 7/16-20	31	738-3056	Shoulder Screw, 1/2 Diameter x 2.5
12	736-0407	Bell Washer, .45 x 1.0 x .062	32	717-1708	Electric PTO Clutch
13	723-0444	Battery Strap	33	738--0785	Shoulder Spacer, 1.38 x .445 x .36
14	783-0668	Hitch Plate	34	736-0171	Lock Washer, 7/16
15	725-1747	Safety Interlock Plunger Switch	35	710-3157	Hex Cap Screw, 7/16-20 x 3.25 (Grade 5)
16	736-0222	Lock Washer, 1/4	36	710-3011	Hex Cap Screw, 3/8-16 x 2.25 (Grade 5)
17	725-1426	Solenoid, 12-Volt, 100 Amp	37	756-0627	Flat Idler Pulley, 3.5 OD
18	710-0599	Self Tapping Screw, 1/4-20 x .5	38	754-0474	PTO Belt (42-inch Decks)
19	712-0459	Flange Lock Nut, 7/16-20		754-0476	PTO Belt (46-inch Decks)
20	683-0263A	Lower Frame Assembly	39	783-0349	Battery Tray
21	756-0639	Engine Pulley, 3.56 OD	40	783-0891	Deck Stop

NOTE: For **painted parts**, please refer to the list of color codes below. Please add the applicable color code, wherever needed, to the part number to order a replacement part. For instance, if a part numbered 700-xxxx is painted Yard-Man Green, the part number to order would be 700-xxxx-0665.

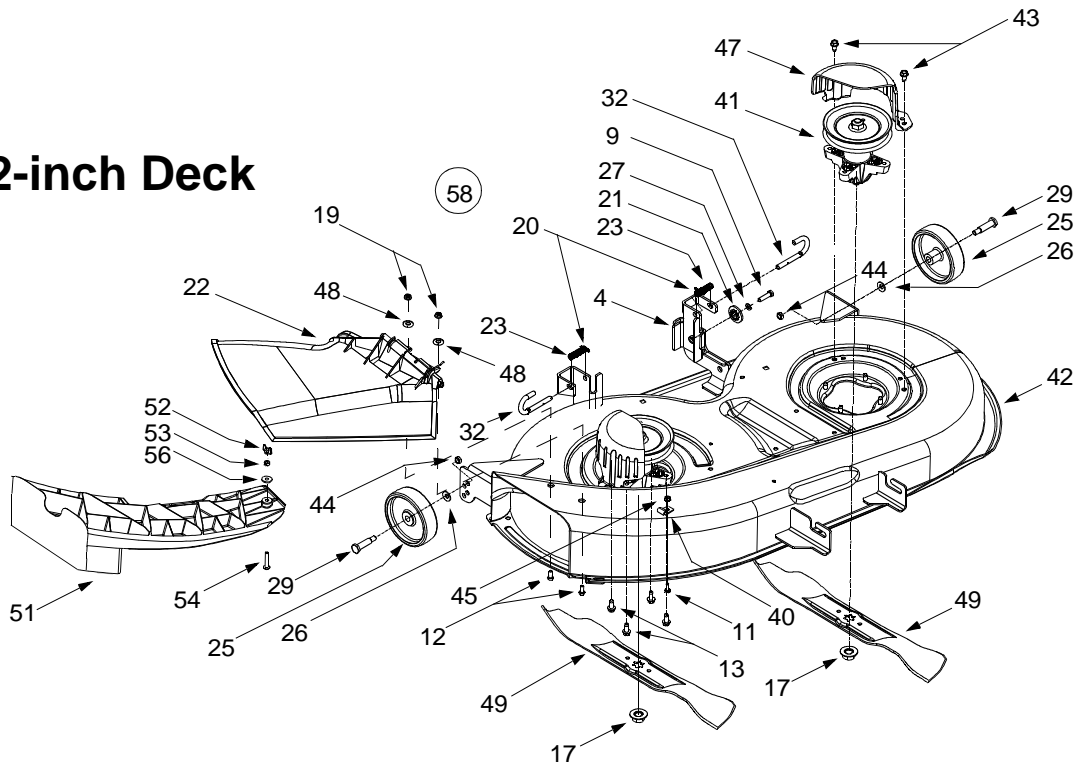
Yard-Man Green: 0665
 Yard-Man Yellow: 0674
 Powder Black: 0637

Model 604

46-inch Deck



42-inch Deck



Cutting Decks

REF. NO.	PART NO.	DESCRIPTION	REF. NO.	PART NO.	DESCRIPTION
1	17982	Reinforcement Spindle Plate	31	742-0612	Three-in-one Blade, Star Center, 14.88
2	618-0240	Spindle Assembly, 5 Dia.	32	747-1116	Deck Release Pin
	756-0959	Pulley Only	33	754-0349	Deck Belt
3	618-0241	Double Pulley Spindle Assembly	34	756-0627	Flat Idler Pulley, 3.5 OD
	756-0603	Double Pulley Only	35	783-0139	Idler Bracket
4	683-0254	Deck Adjustment Bracket w/ Weld Nut	36	783-0141	Center Deck Skirt
5	683-0265	46-inch Deck Shell	37	783-0142	RH Deck Skirt
6	710-0167	Carriage Screw, 1/4-20 x .5	38	783-0747	LH Belt Cover
7	710-0347	Hex Cap Screw, 3/8-16 x 1.75	39	783-0805	RH Belt Cover
8	710-0514	Hex Cap Screw, 3/8-16 x 1.0	40	16606	Retainer Hook
9	710-0528	Hex Cap Screw, 5/16-18 x 1.25	41	618-0324	Spindle Assembly, 5.75 Dia
10	710-0599	Self Tapping Screw, 1/4-20 x .5		756-1151	Pulley Only
11	710-0650	Self Tapping Screw, 5/16-18 x .875	42	683-0198	42-inch Deck Shell
12	710-0751	Hex Cap Screw, 1/4-20 x .62	43	710-0604	Self Tapping Screw, 5/16-18 x .625
13	710-1260A	Self Tapping Screw, 5/16-18 x .75	44	712-0181	Top Lock Jam Nut, 3/8-16
14	712-3288	Hex Cap Screw, 1/4-20 x 1.62	45	712-0271	Hex Sems Nut, 1/4-20
15	712-0241	Hex Nut, 3/8-24	46	712-3006	Hex Nut, 1/4-20
16	712-0291	Center Lock Nut, 1/4-20	47	731-2231	Belt Cover
17	712-0417A	Hex Flange Nut, 5/8-18	48	736-0270	Bell Washer, .265 x .75 x .062
18	712-0431	Flange Lock Nut, 3/8-16	49	742-0616	Three-in-one Blade, Star Center, 21.23
19	712-3027	Hex Flange Lock Nut, 1/4-20	50	731-1636	Mulch Plug, 46-inch Decks
20	714-0104	Internal Cotter Pin, .072 x 1.12	51	731-1643A	Mulch Plug, 42-inch Decks
21	717-1553	Deck Adjustment Gear	52	712-3087	Wing Nut, 1/4-20
22	731-1032A	Side Discharge Chute Assembly	53	712-0291	Center Lock Nut, 1/4-20
23	732-0306	Compression Spring, .406 x .531 x 1.75	54	710-0106	Hex Cap Screw, 1/4-20 x 1.25
24	732-0594A	Extension Spring, .91 x 7.33	55	710-0578	Screw, 1/4-20 x 1.5
25	734-0973	Deck Wheel, 5 x 1.38	56	736-0173	Flat Washer, .28 x .74 x .063
26	736-0105	Bell Washer, .401 x .87 x .063	57	753-0852	46-inch Deck Assembly Complete (w/o mulch kit)
27	736-0119	Lock Washer, 5/16			
28	738-0347	Shoulder Spacer, .625 x .169	58	753-0851	42-inch Deck Assembly Complete (w/o mulch kit)
29	738-0373	Shoulder Spacer, .498 x 1.53			
30	742-0611	Three-in-one Blade, Star Center, 16.28			

NOTE: For **painted parts**, please refer to the list of color codes below. Please add the applicable color code, wherever needed, to the part number to order a replacement part. For instance, if a part numbered 700-xxxx is painted Yard-Man Green, the part number to order would be 700-xxxx-0665.

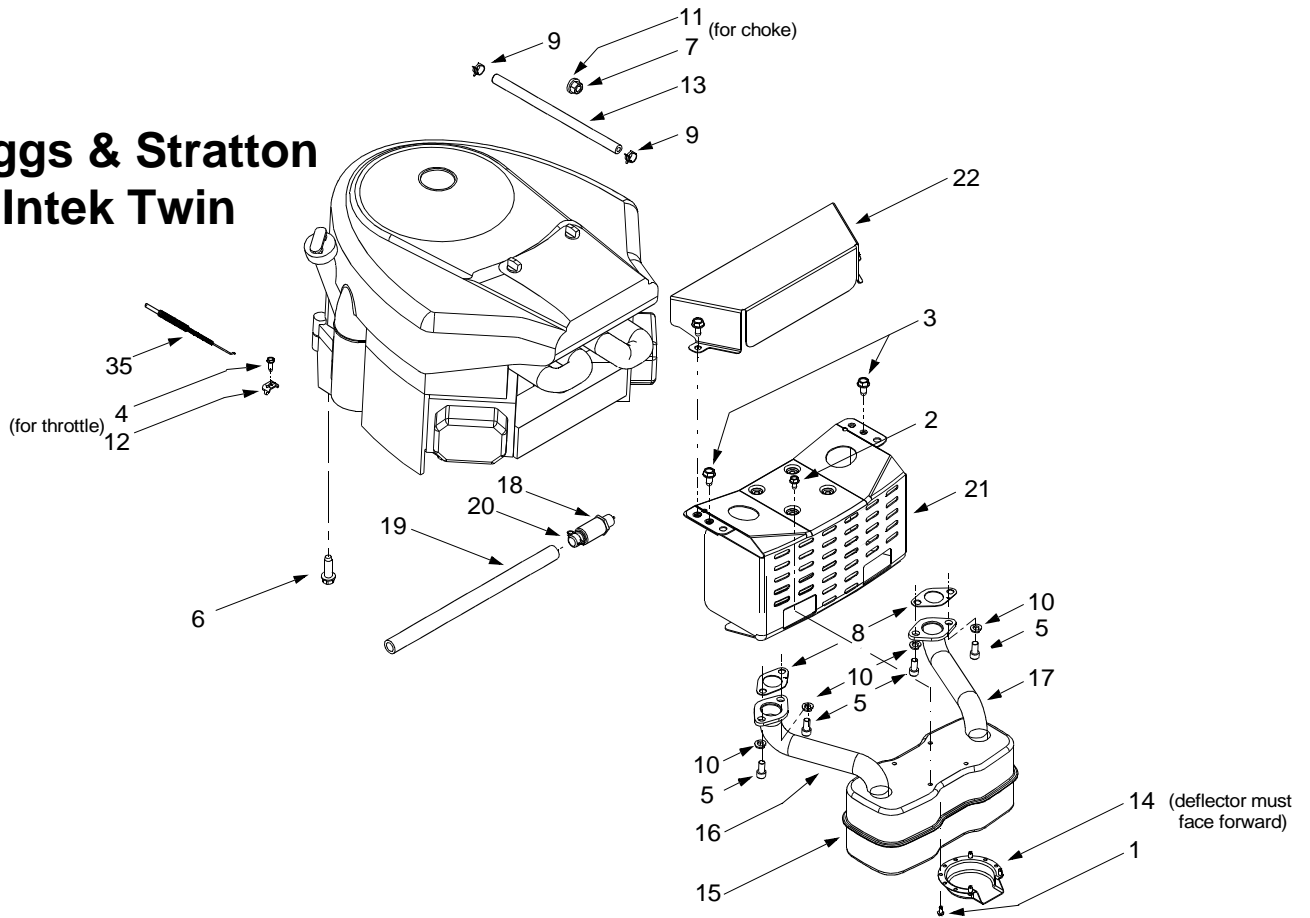
Yard-Man Green: 0665

Yard-Man Yellow: 0674

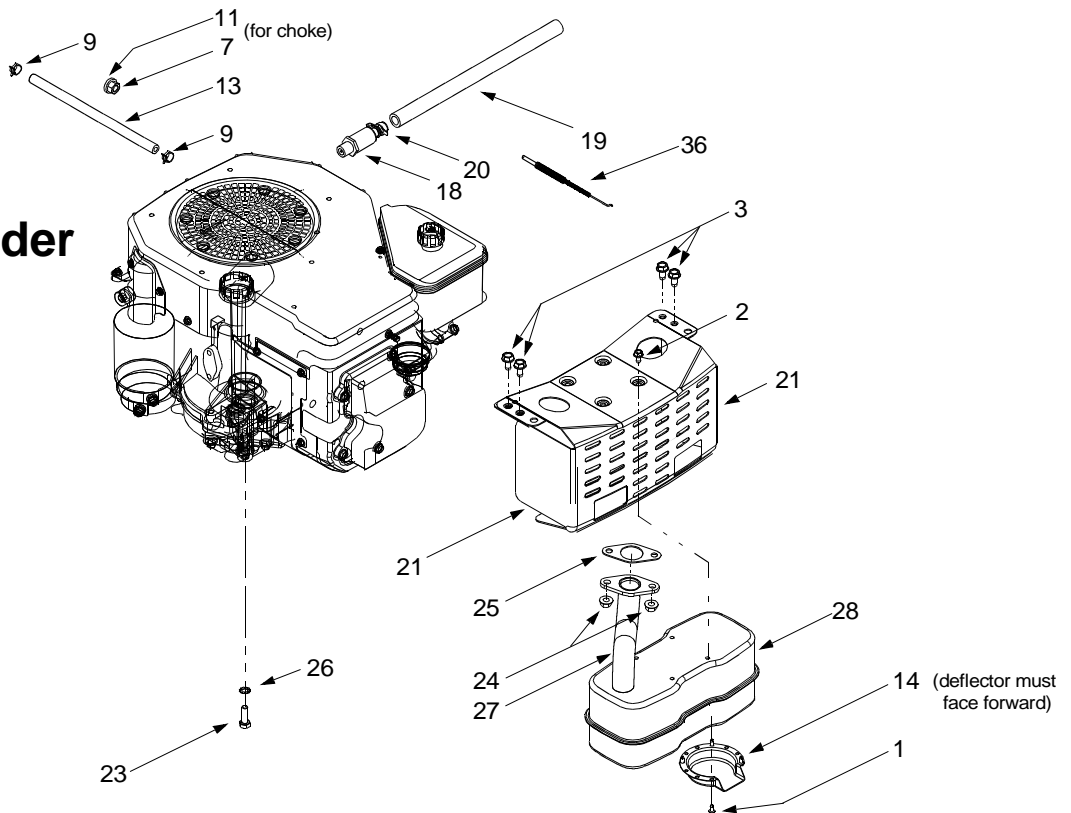
Powder Black: 0637

Model 604

Briggs & Stratton Intek Twin

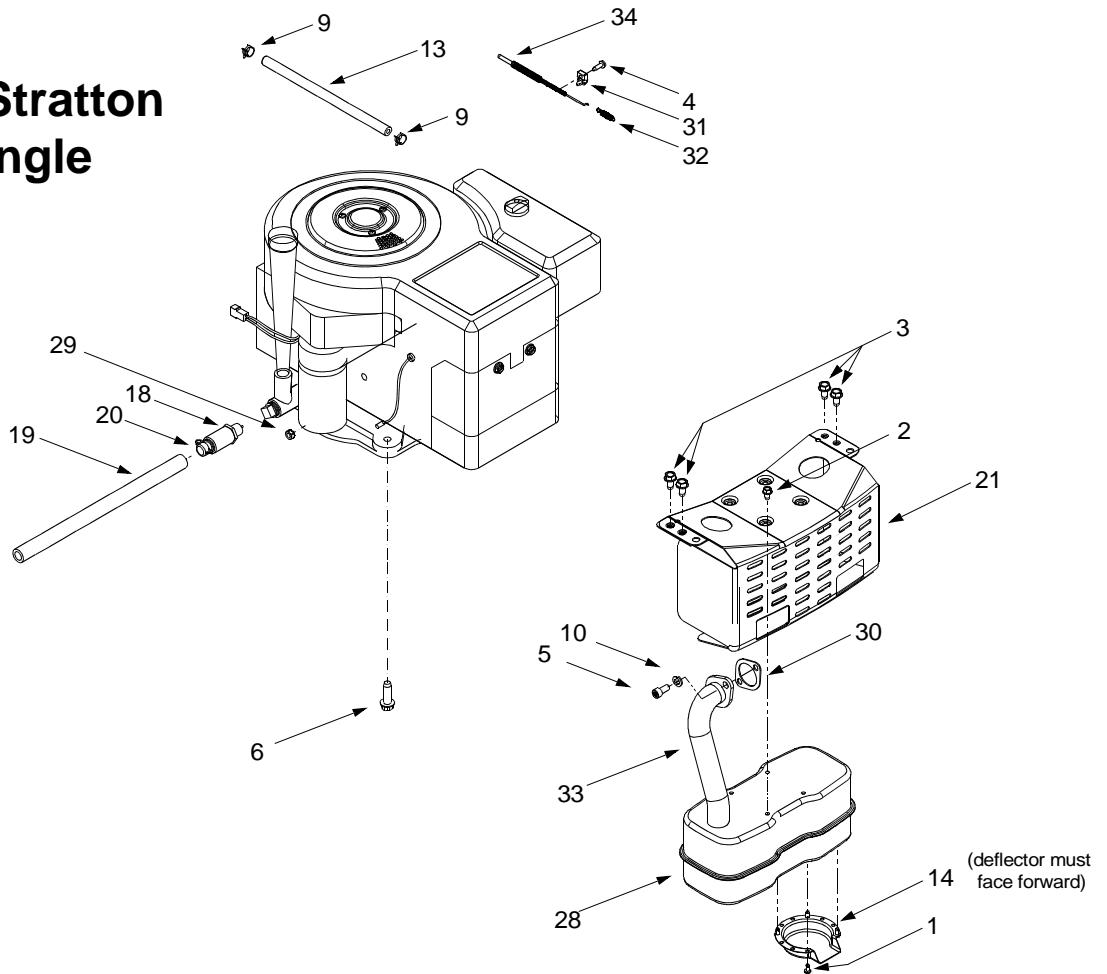


Kohler Single-cylinder



Engine Accessories

Briggs & Stratton Intek Single



REF. NO.	PART NO.	DESCRIPTION	REF. NO.	PART NO.	DESCRIPTION
1	710-0148	Self Tapping Screw, #8-32 x .375	19	751-3141	Oil Drain Hose
2	710-0599	Self Tapping Screw, 1/4-20 x .5	20	751-3142	Oil Drain Cap
3	710-0604	Self Tapping Screw, 5/16-18 x .625	21	783-0615	Muffler Heat Shield
4	710-1237	Screw, #10-32 x .625	22	783-0625A	Engine Heat Shield
5	710-1314	Socket Cap Screw, 5/16-18 x .625	23	710-3206A	Hex Cap Screw, M8-1.25 x 25
6	710-1315	Self Tapping Screw, 3/8-16 x 1.25	24	712-3086	Flange Nut, M8-1.25
7	712-0798	Hex Nut, 3/8-16	25	721-0375	Exhaust Gasket (Kohler)
8	721-0460	Exhaust Gasket (Intek Twin)	26	736-0607	External Lock Washer, 5/16
9	726-0205	Hose Clamp	27	751-0621	Exhaust Pipe (Kohler)
10	736-0119	Lock Washer, 5/16	28	751-0617	Muffler, Single Inlet
11	736-0221	Flat Washer, 3/8 x .56 x .018	29	712-0271	Hex Sems Nut, 1/4-20 (for starter cable)
12	751B221535	Casing Clamp	30	721-0208	Exhaust Gasket (Intek Single)
13	751-0535	Fuel Line Hose	31	732-0966	Extension Spring, .275 x 1.25
14	751-0564	Muffler Deflector	32	751B213146	Casing Clamp
15	751-0616	Muffler, Twin Inlet	33	751-0619	Exhaust Pipe (Intek Single)
16	751-0650	RH Exhaust Pipe (Intek Twin)	34	746-1084	Throttle/Choke Cable (Intek Single)
17	751-0651	LH Exhaust Pipe (Intek Twin)	35	746-1086	Throttle Cable (Intek Twin)
18	751-3140	Oil Drain Valve	36	746-1087	Throttle Cable (Kohler)