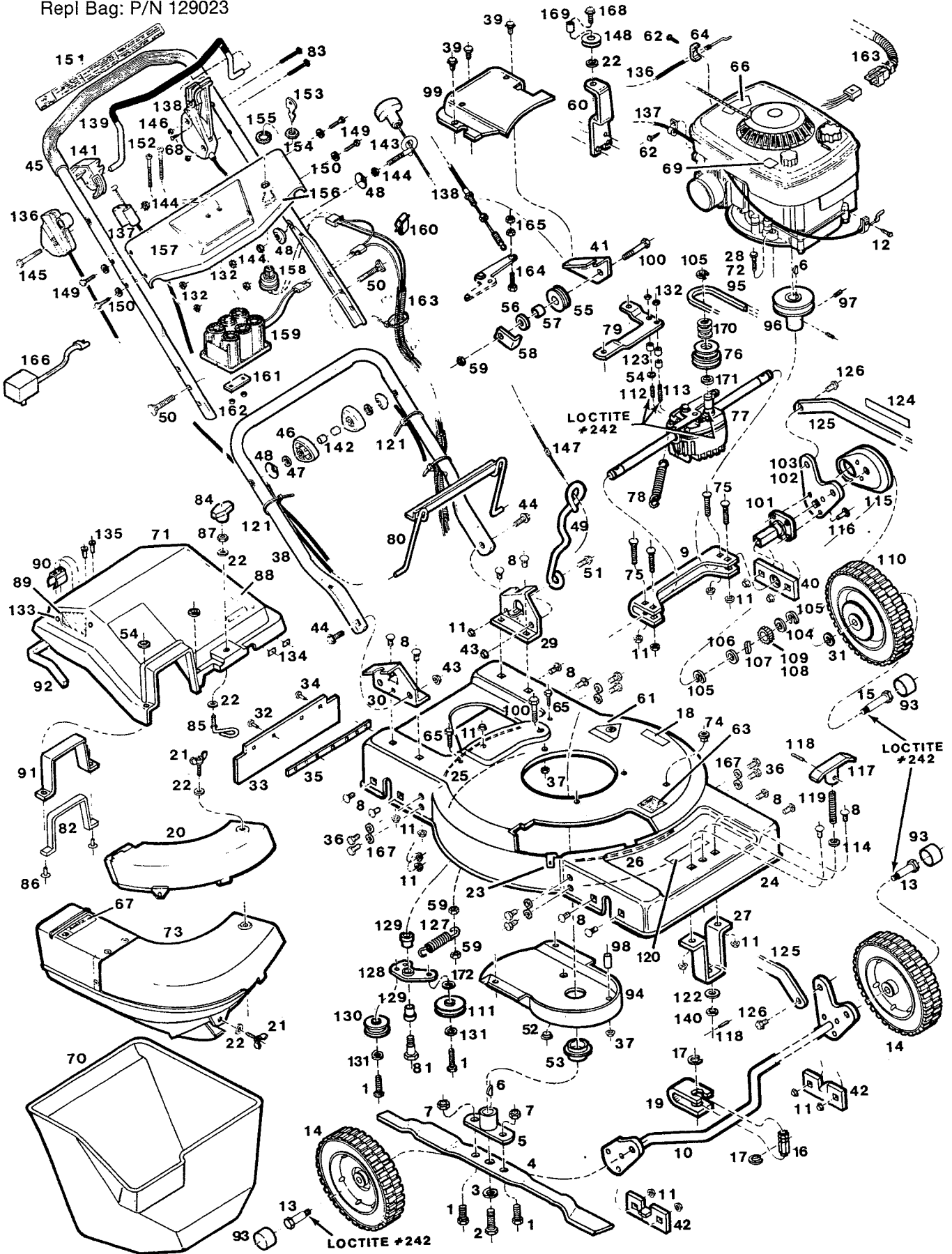


**21" DELUXE CONVERTIBLE SELF-PROPELLED
ELECTRIC START ROTARY MOWER**

MODEL: A151-J

Grass Catcher Model: Included

Repl Bag: P/N 129023



21" DELUXE CONVERTIBLE SELF-PROPELLED ELECTRIC START ROTARY MOWER

MODEL: A151-J

Grass Catcher Model: Included

Repl Bag: P/N 129023

Item No.	Part No.	Description	Item No.	Part No.	Description
1	457176	Bolt - Hex 3/8-16 x 1-1/4 Gr.5	87	310052	Nut - Hex 1/4 - 20
2	156232	Bolt - Blade	88	112011	Screen - Large
3	311035	Lockwasher - Split 1/2	89	112029	Screen - Small
4	030528	Blade 21"	90	111963	Clip - Handle
5	109256	Coupling - Blade	91	109504	Support - Chute Opening
6	150276	Key - Woodruff #6	92	134452	Seal - Bag
7	715086	Locknut - Hex 3/8-16	93	112045	Cap - Hub
8	156364	Bolt - Carriage 5/16-18x5/8	94	024968	Cover - Idler
9	024992	Channel - Rear Axle	95	171025	V-Belt
10	024976	Axle Assembly - Front	96	171082	Sheave - Engine
11	151340	Locknut - Flange 5/16-18	97	156497	Screw - Set Square 1/4-20 x 1/2
12	151613	Bolt - Hex Sems #10 - 32 x 3/8	98	156489	Spacer
13	156216	Bolt - Wheel	99	024950	Cover - Transmission
14	041418	Wheel	100	156455	Bolt - Hex 1/4-20 x 1 Gr. 5
15	157412	Bolt - Wheel	101	109413	Hub - Wheel Arm
16	091181	Hub - Height Adjustment	102	012526	Arm - Wheel RH
17	156745	Ring - Retaining	103	012534	Arm - Wheel LH
18	001602	Decal - Cutting Height Arrow	104	156620	Washer - Flat 1/2
19	091173	Channel - Height Adjustment	105	151282	Ring - Transmission Retaining
20	112052	Cover - Deck	106	156638	Washer - Flat 1/2
21	156265	Screw - Wing 1/4-20 x 3/4	107	171041	Dog - Drive
22	715300	Washer - Flat 1/4	108	171058	Gear - Drive RH
23	156281	Nut - Speed 1/4	109	171066	Gear - Drive LH
24	024828	Deck - 21	110	041442	Wheel w/Gear
25	012575	Baffle - Rear	111	305367	Pulley - Idler
26	024885	Baffle - Front	112	156786	Stud - Transmission Short
27	091165	Bracket - Height Adjustment	113	156802	Stud - Transmission Long
28	156463	Screw - Hex 5/16-18 x 2-3/4 Gr. 5	114	156612	Washer - Wave 1/2
29	024869	Bracket - Handle LH	115	024943	Cover - Drive Wheel
30	024851	Bracket - Handle RH	116	764282	Rivet - 1/4 x 5/8
31	156877	Washer - 3/8 Hardened	117	111971	Handle - Height Adjustment
32	715243	Rivet - Pop 3/16 x 1/8	118	156778	Pin - Roll 3/16 x 3/4
33	112136	Shield - Trailing	119	091157	Screw - Height Adjustment
34	152389	Rivet - 3/16 x 11/32	120	001594	Decal - Cutting Height Adjustment
35	109496	Strip - Backing	121	110379	Cable Tie
36	450437	Bolt - Hex 5/16-18 x 5/8 Gr. 5	122	156604	Washer - Flat Nylon 1/2
37	715490	Locknut - 5/16-18	123	156794	Spacer - Transmission
38	072405	Handle - Lower	124	001610	Decal - Cutting Height Level
39	154278	Screw - Self-tapping 1/4-20 x 1/2	125	012518	Link - Height Adjustment
40	109520	Support - Wheel Hub	126	156554	Bolt - Shoulder Flanged 5/16
41	024984	Bracket - Cable Support	127	134478	Spring - Idler
42	109207	Bracket - Axle	128	171033	Arm - Idler
43	451492	Nut - 3/8-16 Top Lock Flange	129	156653	Bearing - Nylon Flange
44	156414	Bolt - Hex Flange 3/8-16 x 1	130	171124	Pulley - Idler
45	072363	Handle - Upper w/Foam Grip	131	150185	Lockwasher - 3/8
46	744284	Knob - Handle	132	715334	Nut - Keps #10 - 24
47	461665	Lockwasher - Internal Tooth 5/16	133	156331	Rivet - Nylon 3/16
48	150201	Washer - Curved 5/16	134	156844	Nut - Push 1/8
49	109322	Guide - Lower Rope	135	156349	Rivet - Pop 1/8 x 1/4
50	151936	Bolt - Curved Head 5/16-18 x 2-1/4	136	051235	Control - Throttle
51	459131	Bolt - Hex 5/16-18 x 1	137	051508	Cable - Bail
52	112102	Plug - Button	138	051441	Control - Drive
53	112094	Shield - Dust	139	097709	Bail - Coated
54	156273	Washer - Flat #10	140	156596	Washer - Flat 1/2
55	171074	Pulley - Drive Cable	141	111526	Actuator - Cable
56	156661	Washer - Flat 9/32	142	110064	Cap - Plastic Bolt
57	156679	Spacer	143	152371	Guide - Upper Rope
58	171116	Retainer - Cable	144	715037	Nut - Keps 1/4 - 20
59	715508	Nut - Hex Top Lock 1/4-20	145	153874	Bolt - Hex 1/4 - 20 x 2-1/4
60	012708	Support - Pulley	146	151985	Nut - Hex #10 - 24
61	143115	Decal - Warning CPSC	147	152074	Rope Stop
62	150623	Screw - Hex Slotted #10 x 5/8	148	171140	Rope Guide Pulley
63	001818	Decal - Warning Chute	149	156836	Screw - Hex #10 - 24 x 1-1/8
64	150318	Clamp - Cable	150	155093	Washer - Flat #10
65	156471	Screw - Hex Self-tapping #10-16 x 1/2	151	144915	Decal - Electric Start Instr.
66	001206	Decal - Warning Blade Rotation	152	151886	Screw - Machine Round #8 - 32 x 3-1/4
67	001800	Decal - Warning Catcher	153	304576	Key - Ignition
68	152181	Screw - Retaining	154	310102	Nut - Hex 5/8 - 32
69	148411	Decal - Warning Oil Overfill	155	311241	Lockwasher 5/8
70	129023	Frame & Bag Assembly	156	144089	Decal - Ignition Switch
71	111997	Top Catcher	157	031581	Plate - Handle
72	156968	Bolt - Hex 5/16-18 x 1-1/4 Gr. 5	158	050252	Switch - Ignition
73	129015	Chute Cover & Body Assembly	159	134601	Battery - 12 Volt
74	156422	Insert - Plastic 1/4	160	447698	Clip - Tinnerman
75	151696	Bolt - Carriage 5/16-18 x 1-3/4 Gr. 5	161	101246	Plate - Reinforcing
76	171108	Sheave - Transmission	162	151894	Locknut - Hex #8 - 32
77	171090	Transmission Assembly	163	134577	Wiring Harness
78	134544	Spring - Transmission Return	164	155366	Screw - #10 - 24 x 5/8 HWH Slotted
79	109421	Bracket - Transmission	165	451443	Nut - #10 - 24 Center Lock
80	024935	Support - Catcher	166	132571	Battery Charger
81	156588	Bolt - Shoulder 5/16	167	715185	Washer - Flat 5/16
82	134445	Seal - Door	168	153601	Bolt - Self-threading 1/4-20 x 3/4
83	151944	Screw Machine #10-24 x 2	169	468694	Spacer 1/4" x 7/16"
84	156299	Knob - Catcher	170	158873	Washer - 1/2
85	156307	Shaft - Connecting	171	162289	Spacer - 1/2 I D
86	156810	Rivet - Pop Special 3/16	172	461731	Washer - 3/8

- This parts list covers several different mower models; not all of the parts listed may be used on the particular model you are working with.
- When servicing use only **Genuine Factory Replacement Parts (OEM)** that are specifically designed for the particular model that you are working with.
- Parts are right or left hand as viewed from the operator's position.
- Model specifications are subject to change without prior notice.
- **Do not operate** the mower unless all parts are attached and in good working order.
- Lawn mower deck and/or other painted parts differing in color may be substituted without notice.