

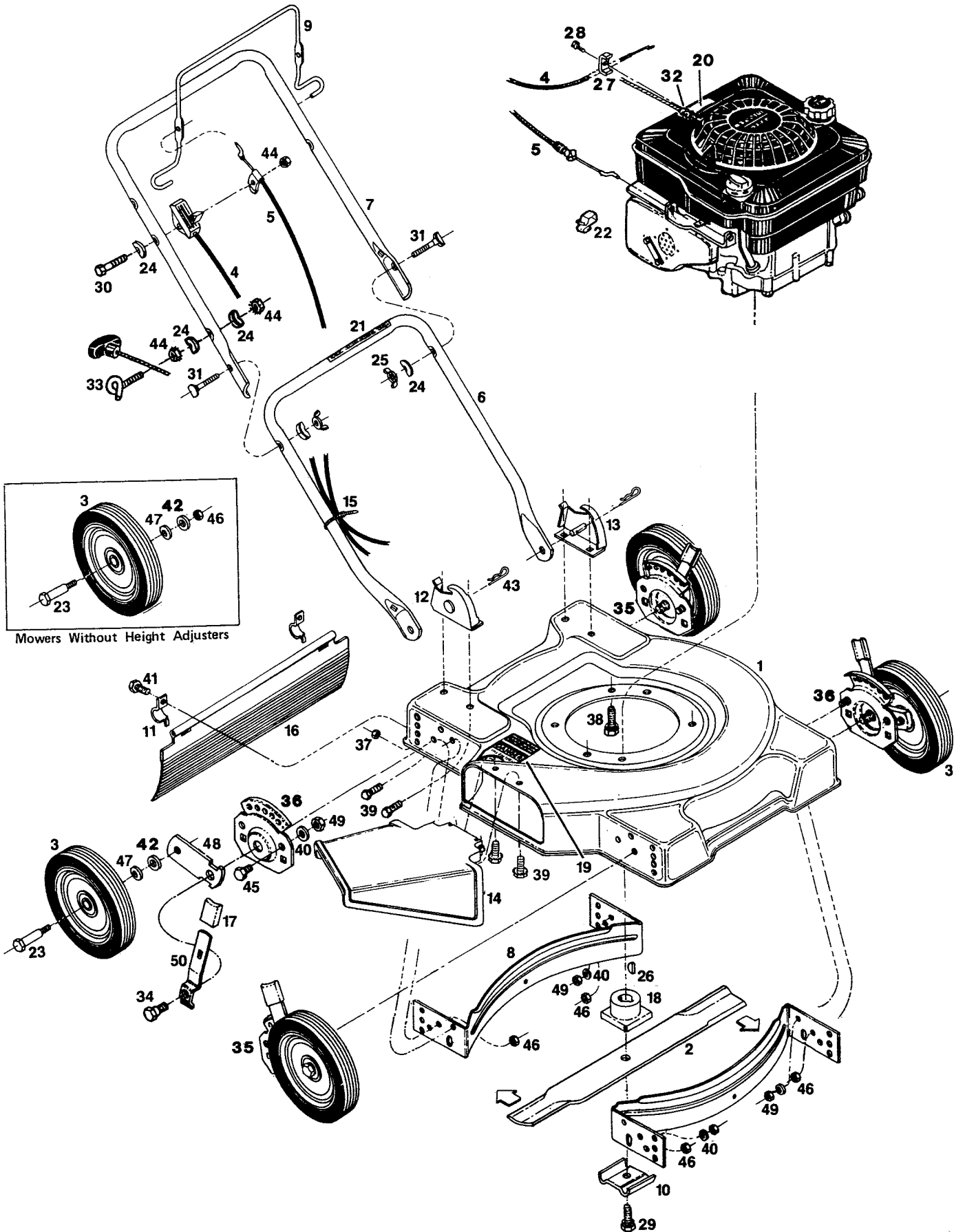
22" SIDE DISCHARGE ROTARY MOWER

MODEL: FUDR22-J

WDR22-J

Grass Catcher Model: GC6AA P/N 161018

Repl. Bag: P/N 161158



Mowers Without Height Adjusters

**22" SIDE DISCHARGE ROTARY MOWER
MODEL: FUDR22-J
WDR22-J**

Grass Catcher Model: GC6AA P/N 161018
Repl. Bag: P/N 161158

| Index No. | Part No. | Description | Index No. | Part No. | Description |
|-----------|----------|---|-----------|----------|---|
| 1 | 013425 | Deck 20" | 23 | 150060 | Wheel Bolt - Steel Whl. - w/Hght. Adj. |
| | 019788 | Deck 22" | | 157420 | Wheel Bolt - use with 041780 Wheel |
| 2 | 030031 | Blade-20" Flat | | 150730 | Wheel Bolt - Steel Whl. w/o Hght. Adj. |
| | 030049 | Blade-22" Flat | 24 | 150201 | Washer-Curved 5/16 |
| 3 | | Wheel Assembly* | 25 | 150235 | Wingnut 5/16-18 |
| | 041780 | 7" Plastic - White - Rib | 26 | 150276 | Woodruff Key #6 |
| | 041525 | 7" Plastic - White - Diamond Nylon Bearing (3-spoke) | 27 | 157552 | Cable Clamp |
| | 041806 | 7" Steel-White-Rib-Flange Bearing | 28 | 155366 | Screw #10-24 x 5/8 HWH |
| | 040857 | 8" Plastic-White-Diamond (4-spoke) | 29 | 162024 | Bolt-Blade |
| | 042432 | 8" Plastic-White-Diamond-Nylon Bearing (3-spoke) | 30 | 153874 | Bolt - 1/4-20 x 2-1/4 Hex Head |
| | 041848 | 8" Steel-White-Rib-Flange Bearing | 31 | 151928 | Bolt-Curved Head 5/16-18 x 1-3/4 |
| 4 | 052373 | Control-Throttle w/Cable | 32 | 152074 | Rope Stop |
| 5 | 051425 | Cable-Engine/Blade Control | 33 | 152371 | Rope Guide |
| 6 | 071563 | Handle-Lower | 34 | 153650 | Shoulder Bolt-Height Adjuster* |
| 7 | 071084 | Handle-Upper Coated | 35 | 428664 | Back Plate-Height Adjuster R.H. Front L.H. Rear* |
| | 071076 | Handle-Upper | 36 | 428714 | Back Plate-Height Adjuster L.H. Front R.H. Rear* |
| 8 | 101519 | Baffle-Deck* | 37 | 452318 | Nut-# 10-24 HX Nylon Insert |
| 9 | 104687 | Bail-Engine/Blade Control | 38 | 457168 | Bolt-3/8-16 x 7/8 Thread Forming |
| 10 | 106336 | Washer-Blade Adapter | 39 | 457499 | Bolt-1/4-20 x 1/2 Thread Forming |
| 11 | 106914 | Clip-Trailing Shield | 40 | 462093 | Washer-Flat 1/4 |
| 12 | 088369 | Handle Bracket-Right Hand | 41 | 458687 | Bolt-Hex Head #10-24 x 1/2 |
| 13 | 088377 | Handle Bracket-Left Hand | 42 | 715417 | Washer-3/8 Flat |
| 14 | 394619 | Chute Deflector Assembly | 43 | 715011 | Hairpin Cotter |
| 15 | 110379 | Cable Tie | 44 | 715037 | Nut-Keps 1/4-20 |
| 16 | 114421 | Trailing Shield | 45 | 715045 | Bolt-Hex Head 1/4-20 x 3/4 |
| 17 | 114462 | Plastic Tip-Setting Lever* | 46 | 451492 | Nut-3/8-16 Top Lock Flange |
| 18 | 133231 | Blade Adapter | 47 | 715607 | Washer-Belleville |
| 19 | 144063 | Decal-Danger | 48 | 777862 | Wheel Lever-Height Adj.* |
| 20 | 001206 | Decal-Blade Warning | 49 | 715508 | Locknut 1/4-20 Top |
| 21 | 715557 | Decal-Starting Instructions | 50 | 776500 | Setting Lever-Height Adjuster* |
| 22 | 381442 | Clamp-Tinnerman | | | |

• INDICATES OPTIONAL EQUIPMENT

• INDICATES OPTIONAL EQUIPMENT

- This parts list covers several different mower models; not all of the parts listed may be used on the particular model you are working with.
- When servicing use only **Genuine Factory Replacement Parts (OEM)** that are specifically designed for the particular model that you are working with.
- Parts are right or left hand as viewed from the operator's position.
- Model specifications are subject to change without prior notice.
- **Do not operate** the mower unless all parts are attached and in good working order.
- Lawn mower deck and/or other painted parts differing in color may be substituted without notice.