

***MTD PRO*** 

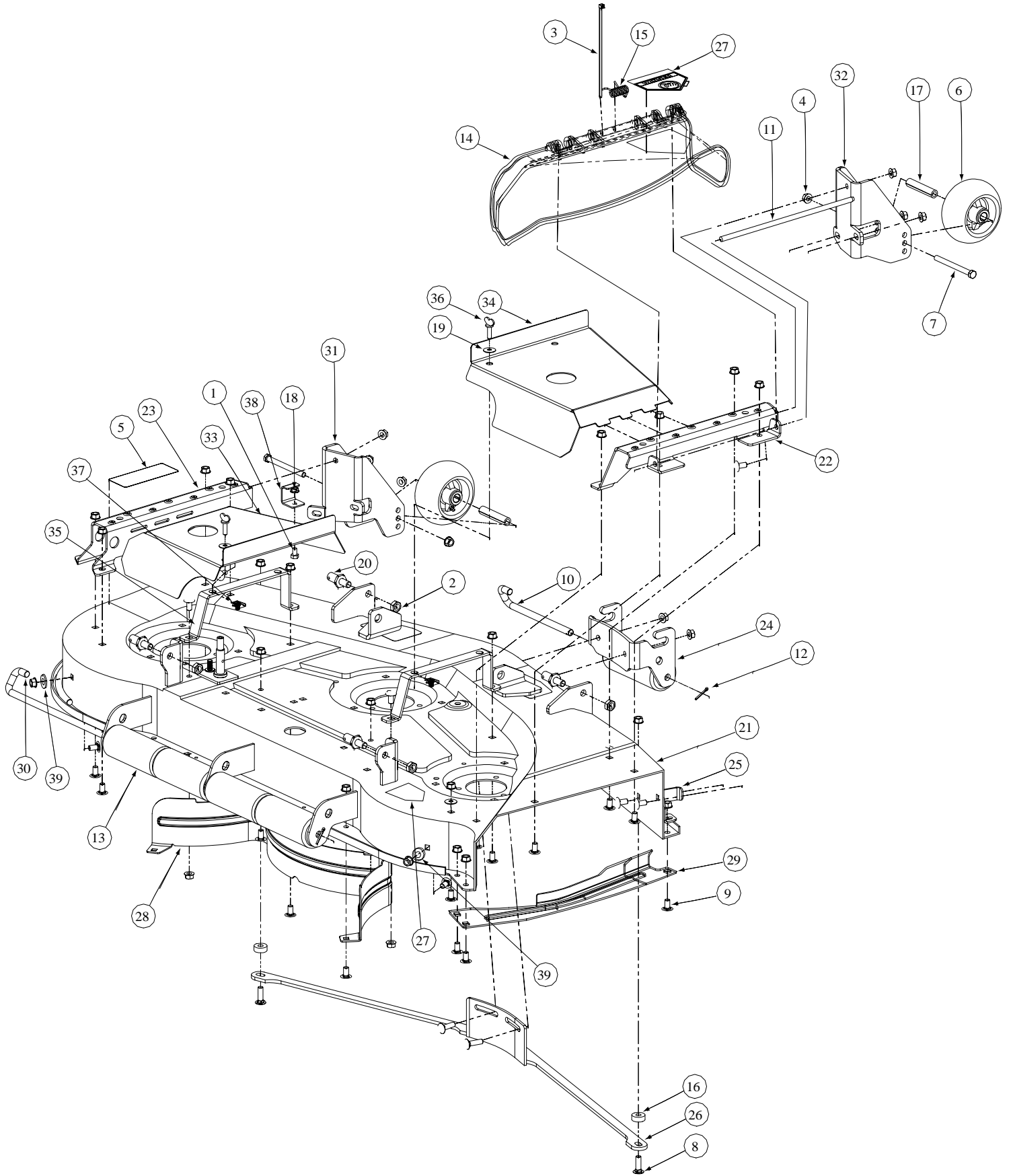
MMZ 2554, 2560

**25 Horsepower  
Hydrostatic Zero-Turn  
Commercial Riding  
Mower**

**ILLUSTRATED PARTS LIST**

---

# 54" Float Cutter Deck - Figure 1



# 54" Float Cutter Deck - Parts List for Figure 1

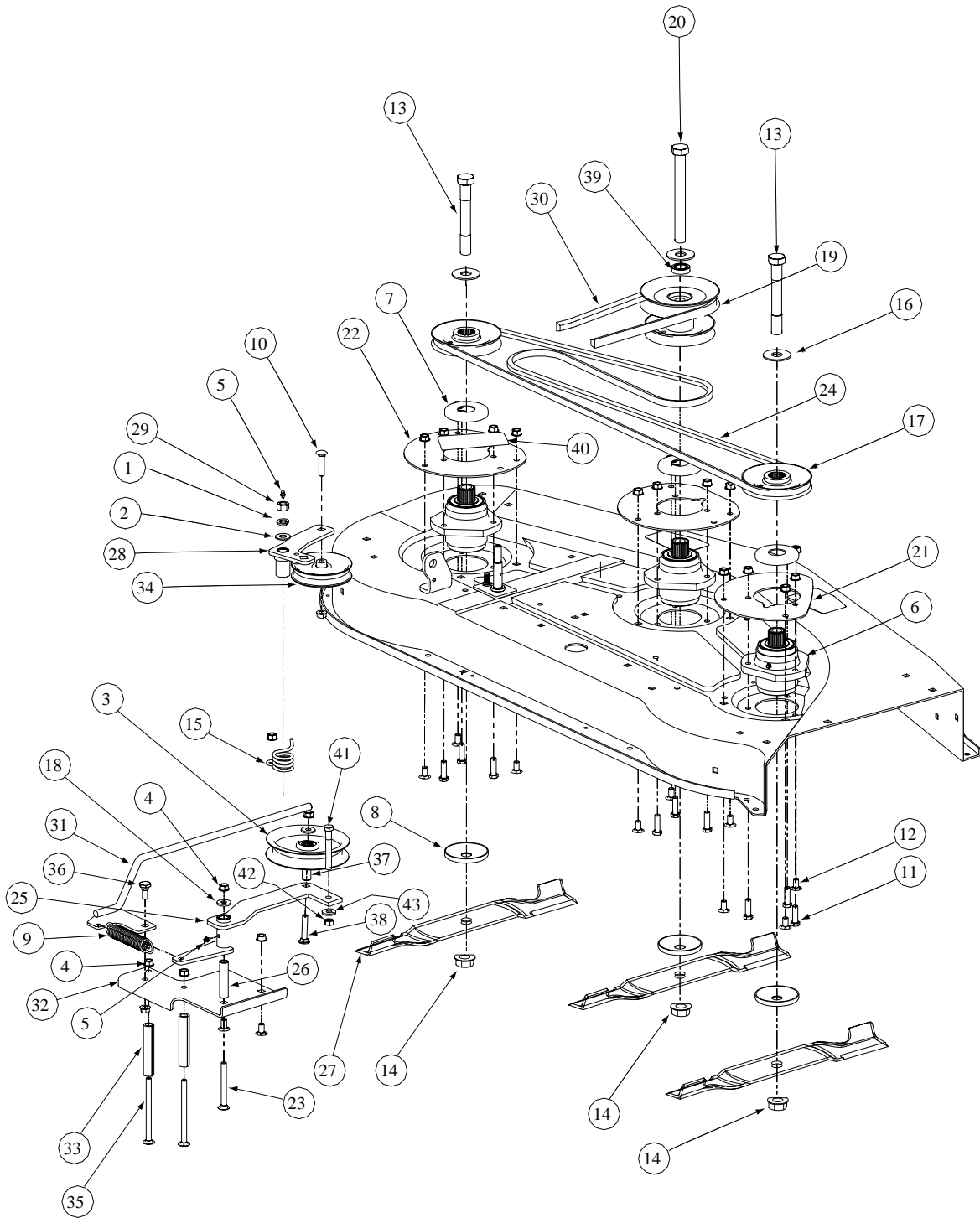
Ref. No.	Part No.	Description	Qty.
1	00013406	HHCS, 5/16 - 18 x .5"	1
2	00012428	Hex, Jam Nut, 1/2-13	4
3	00012470	Cable Tie, 3/16 x .05 x 7.4	1
4	00022560	Hex Nut, 3/8-16, Flange Lock	33
5	00030633	Decal, Rotating Blade	1
6	01000343	Wheel, 5.00 Diameter	2
	00023806	Grease Fitting	2
7	01000367	HHCS, 3/8-16, 4.25	2
8	01000370	Carriage Bolt, 3/8-16 x 1.25	4
9	01000372	Carriage Bolt, 3/8 - 16 x .75	27
10	01000375	Roller Pin, 1/2 Diameter x 7.31 Long	1
11	01000376	Hinge Pin, .375 x 12.93	1
12	01000381	Cotter Pin, 1/8 x 1.0	2
13	01000385	Front Roller	5
14	01000386	Deflector Chute	1
15	01000388	Torsion Spring	1
16	01000397	Spacer, .406 ID x 1.00 OD x .38	2
17	01000398	Spacer Wheel	2
18	01000635	Lock Nut, Hex Flange 5/16-18	1
19	01000960	Belle Washer, .325 x .930 x .045	2
20	01001745	Pin, 5/8 Diameter x 1.2 Long	4
21	01001754	Deck Assembly 54", Welded	1
22	01001765	Brace Assembly, Deck, Right Hand	1
23	01001768	Brace Assembly, Deck, Left Hand	1
24	01001782	Roller Bracket, Front 54	1
25	01001785	Stop, Chute, Deflector	1
26	01001925	Guard Assembly, 54 Toe	1
27	01002166	Decal, Danger Hands and Feet	2
28	01002261	Baffle, RR, Inner	1
29	01002264	Guard Assembly, Finger, 54"	1
30	01002635	Roller Pin	1
31	01003260	Mounting Bracket, 54 Left Hand Front Wheel	1
32	01003263	Mounting Bracket, 54 Right Hand Front Wheel	1
33	01003388	Belt Cover, Welded, Left Hand	1
34	01003389	Belt Cover, Welded, Right Hand	1
35	01004476	Support Bracket, 54" Belt Cover	2
36	01003560	Screw Thumb, 5/16-18 x 1.0 Long	2
37	01003563	Nut, U, 5/16-18	2
38	01004110	Stop Bracket	1
39	00012158	Flat Washer, 3/8	3

Quantity was 4

Quantity was 4

Quantity was 4

# 54" Float Deck Spindle Assembly - Figure 2



## 54" Float Deck Spindle Assembly - Parts List for Figure 2

Ref. No.	Part No.	Description	Qty.
1	00010734	Lock Washer, 1/2	1
2	00010958	Flat Washer, SAE, 1/2	1
3	01004101	Idler, Pulley	1
4	00022560	Hex Nut, 3/8-16, Flange Lock	27
5	00060078	Grease Fitting, 1/4-28 x 3/16	2
6	01000133	Spindle Assembly, Cast Iron	3
7	01000135	Cup, Spindle Top	3
8	01000137	Cup, Spindle Bottom	3
9	01000199	Extension Spring, 1.0 OD x 5.125	1
10	01000364	Carriage Bolt, 3/8-16, 1.25	1
11	01000369	HHCS, 3/8-16, 1.25	9
12	01000372	Carriage Bolt, 3/8 -16 x .75 Long	11
13	01000373	HHCS, 3/4-16, 6.00	2
14	01000380	Nut Hex Flange, 3/4-16	3
15	01000387	Spring Idler Torsion	1
16	01000392	Flat Washer, .781 ID, 2.0 OD, .105	3
17	01000401	Pulley-V 4.65 P.D.	2
18	01000723	Washer, Flat, .406 ID: 1.0 OD: .105	3
19	01000851	Double Pulley	1
20	01002074	HHCS: 3/4-16, 8.00	1
21	01002061	Cover Plate, Right Hand	1
22	01002062	Cover Plate	2
23	01002750	Carriage Bolt, 3/8-16 x 3.5 Long	1
24	<b>01004752</b>	<b>V-Belt Deck, "A" Sec. x 122" Long</b>	<b>1</b>
25	01003244	Arm Assembly, Bearing Top Idler	1
	01000308	Bearings	2
26	01003245	Spacer, .39 ID x .625 OD x 2.75	1
27	01004720	Blade, 18.5, High Lift	3
28	01003408	Arm Assembly, Idler, Bearing Mower Deck	1
	01000308	Bearings	2
29	01003607	Hex Nut, 1/2-20	1
30	<b>01005011</b>	<b>V-Belt PTO, B Section, x 83.2 Lg.</b>	<b>1</b>
31	01004112	Rod Assembly, Mount, Idler Spring	1
32	01004114	Bracket Mount, 54 Idler Arm	1
33	01004065	Spacer, .405 x .75 x 3.875	2
34	01004081	Idler Pulley, 4.06"	1
35	01004117	Carriage Bolt, 3/8-16, 5.00	2
36	01004118	Shoulder Screw, .50 x .27 Long, 3/8-16	1
37	01004129	Spacer, .385 ID x .75 OD x 1.063	1
38	01001928	Carriage Bolt, 3/8-16, 2.50	1
39	00021925	Spacer, Caster	1
40	00030635	Decal, Warning Shield Missing	2
41	<b>01004990</b>	<b>Belt Retaining Stud, 3/8"</b>	<b>1</b>
42	01002511	Nut, Jam, 3/8-16	1
43	00012157	Lock Washer, SAE, 3/8	1

Replaces 01002932

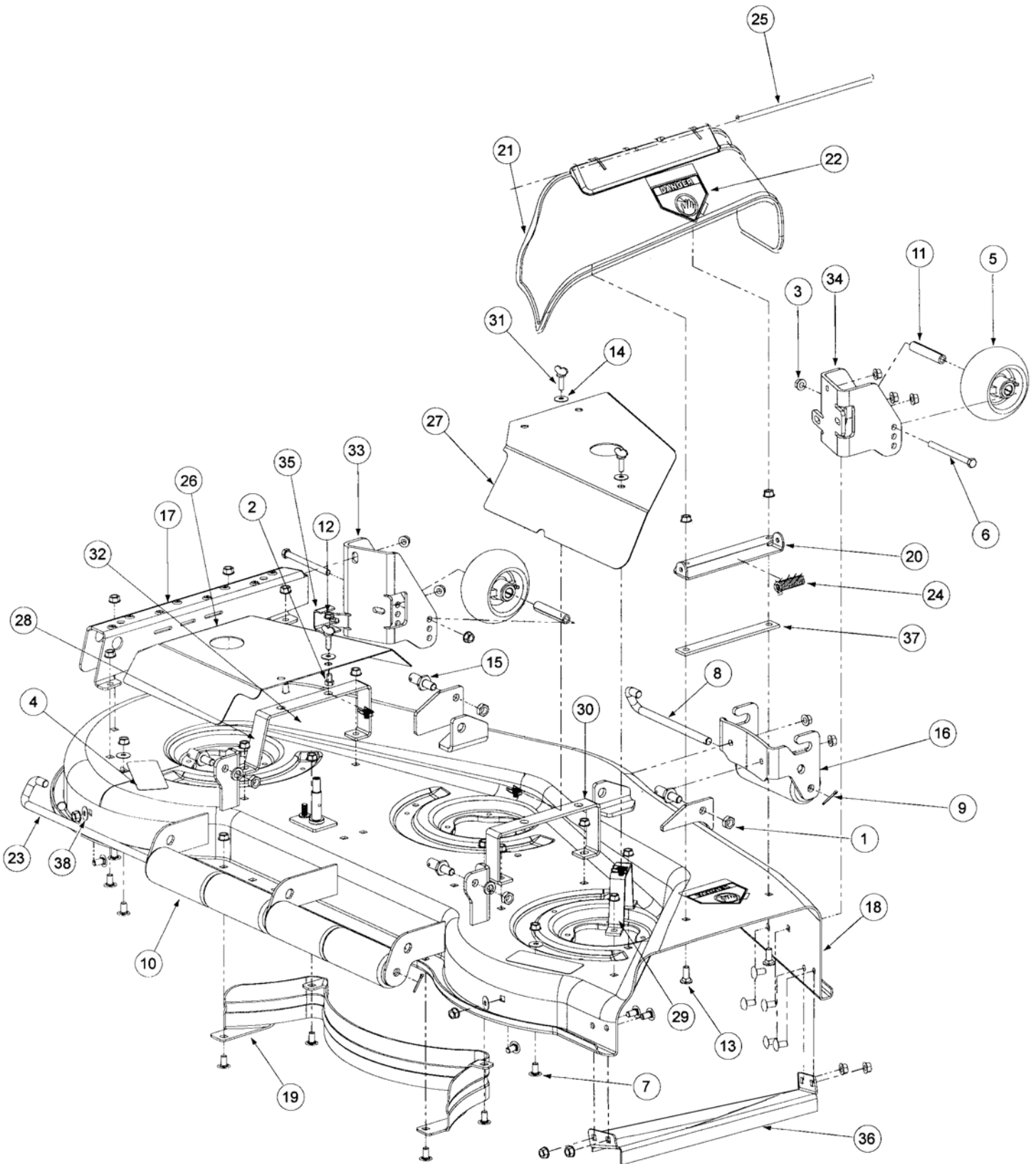
Use with Ref 41 and Ref 22 on page 27

Replaces 01003968

Use with Ref 30 and Ref 22 on page 27

Replaces 01001371

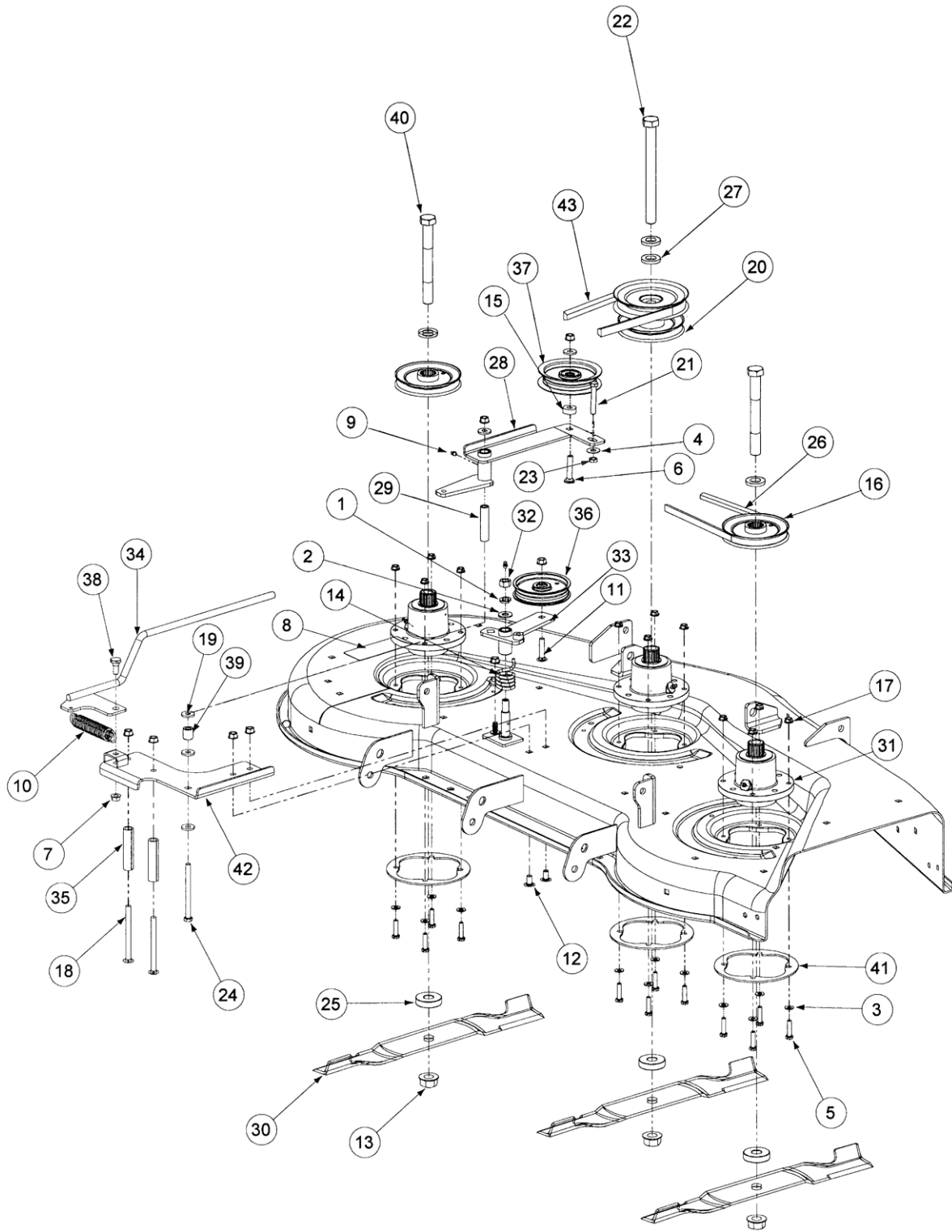
# 60" Float Cutter Deck - Figure 3



## 60" Float Cutter Deck - Parts List for Figure 3

Ref. No.	Part No.	Description	Qty.	
1	00012428	Lock Nut, Nylon Insert, 1/2-13	4	
2	00013406	Hex, Cap, Screw, 5/16-18 x 3/4	1	
3	00022560	Hex, Nut, Flange Lock 3/8-16	34	
4	00030635	Decal, Warning Shield Missing	2	
5	01000343	Wheel, Caster, 5.00", includes:	2	
	00023806	Grease Fitting		
6	01000367	Screw, Hex Cap, 3/8-16 x 4.25"	2	
7	01000372	Carriage, Bolt, 3/8-16 x .75 Long	30	
8	01000375	Pin, Roller, 1/2 Dia. x 7.31" Long	1	
9	01000381	Pin, Cotter, 1/8 x 1.0"	2	
10	01000385	Roller, Front	5	
11	01000398	Spacer Wheel	2	
12	01000635	Lock Nut, Hex Flange 5/16-18	1	
13	01000643	Carriage, Bolt, 3/8-16 x 2	2	
14	01000960	Washer, Belle, .325 x .930 x .045	3	Quantity was 5
15	01001745	Pin, 5/8 Diameter x 1.2 Long	4	
16	01001782	Front, Roller, Bracket	1	
17	01001788	Brace Assembly 60 Deck	1	
18	01001862	60 Weldment, Housing Deck	1	
19	01001797	Rear, Deck, Baffle,	1	
20	01001800	Chute, Bracket Deflector	1	
21	01001804	60" Deck, Deflector, Chute	1	
22	01002166	Decal, Danger Hands and Feet	2	
23	01002635	Roller, Pin	1	
24	01003253	Torsion Spring, 0.4 ID x 2.16 Long	1	
25	01003254	Chute, Rod, Deflector	1	
26	01003390	Belt Cover, Welded, 60 LH	1	
27	01003391	Belt Cover, 60 Deck, RH	1	
28	01003401	Support Bracket, 60 LH Belt Cover	1	
29	01003402	Support Bracket, 60 RH Belt Cover	1	
30	01003403	Support Bracket, 60 Center	1	
31	01003560	Screw, Thumb, 5/16-18 x 1.0 Long	3	Quantity was 5
32	01003563	U Nut, 5/16-18	3	Quantity was 5
33	01003255	Bracket, Deck, Front LH	1	
34	01003257	Bracket, Deck, Front, RT	1	
35	01004110	Bracket, Stop, Tension Rod	1	
<b>36</b>	<b>01004988</b>	<b>Guard Assembly, Toe</b>	<b>1</b>	<b>Replaces 01001794</b>
37	01004328	Spacer, Strip, 0.1875 Thick	1	
38	00012158	Washer, Flat, 3/8"	4	

# 60" Float Deck Spindle Assembly - Figure 4





# 60" Float Deck Spindle Assembly - Parts List for Figure 4

Ref. No.	Part No.	Description	Qty.
1	00010734	Washer, Lock, 1/2"	1
2	00010958	Washer, Flat, SAE, 1/2	1
3	00011075	Washer, Flat, 5/16	12
4	00012157	Lock Washer, SAE, 3/8	1
5	00013116	Hex, Cap, Screw, 5/16-18, 1-1/4	12
6	00014270	Carriage, Bolt, 3/8-16 x 2	1
7	00022560	Nut, Hex, Flange Lock, 3/8-16	9
8	00030633	Decal, Rotating Blade	1
9	00060078	Fitting, Grease, 1/4-28 x 3/16	2
10	01000199	Spring, Extension, 1.0 OD x 5.125"	1
11	01000364	Bolt, Carriage, 3/8-16 x 1.75	1
12	01000372	Bolt, Carriage, 3/8-16 x .75"	2
13	01000380	Nut, Hex, Flange Lock, 3/4-16	3
14	01000387	Spring, Idler Torsion	1
15	01000397	Spacer, .406 ID x 1.00 OD x .38	1
16	01000401	Pulley-V, 4.65 P.D.	2
17	01000635	Hexflange, Lock, Nut, 5/16-18	12
18	01000644	Carriage, Bolt, 3/8-16 x 4.5	2
19	01000723	Washer, Flat, .411 x 1.25 x 1.00	5
20	01001205	Double, Pulley	1
<b>21</b>	<b>01004990</b>	<b>Belt Retaining Stud, 3/8"</b>	<b>1</b>
22	01002074	Screw, Hex, Cap, 3/4-16 x 8.00"	1
23	01002511	Nut, Jam, 3/8-16	1
24	01002539	Hex, Cap, Screw, 3/8-16, 4.50	1
25	01002564	Spacer, .76 ID x 2.00 OD x .477	3
<b>26</b>	<b>01004752</b>	<b>Belt, Blade, 120 " Long</b>	<b>1</b>
27	01003123	Spacer, .812 ID x .218 Long	4
28	01003244	Arm, Idler, Deck Drive, includes:	1
	01000308	Bearings	2
29	01003245	Spacer, .39 ID x .625 OD x 2.75	1
<b>30</b>	<b>01004719</b>	<b>Blade, 20.5, High Lift</b>	<b>3</b>
31	01003530	Spindle Assy, Aluminum, 60 Deck	3
32	01003607	Nut, Hex, 1/2-20	1
33	01003801	Arm Assy, Idler, Bearing 60	1
	01000308	Bearings	2
34	01004112	Rod Assy, Mount, Idler Spring	1
35	01004066	Spacer, .505 x .75 x 3.31	2
36	01004081	Flat Pulley with Flanges	1
37	01004101	Pulley, Idler, Deck Take up	1
38	01004118	Bolt, Shoulder, .50 x .27 Long, 3/8-16	1
39	01004129	Spacer, .385 ID x .75 OD x 1.063	2
40	01004185	Hex, Cap, Screw, 3/4-16, 6.50	2
41	01004263	Plate, Deck, Reinforcement	3
42	01004116	Bracket Assy, Mount, 60 Idler Arm	1
<b>43</b>	<b>01005012</b>	<b>V-Belt PTO, B Section x 84.2 Long</b>	<b>1</b>

Use with Ref 43 and Ref 22 on page 27

Replaces 01001366

Replaces 01002932

Use with 01004988 or 01001794 Toe Guard on pg 7

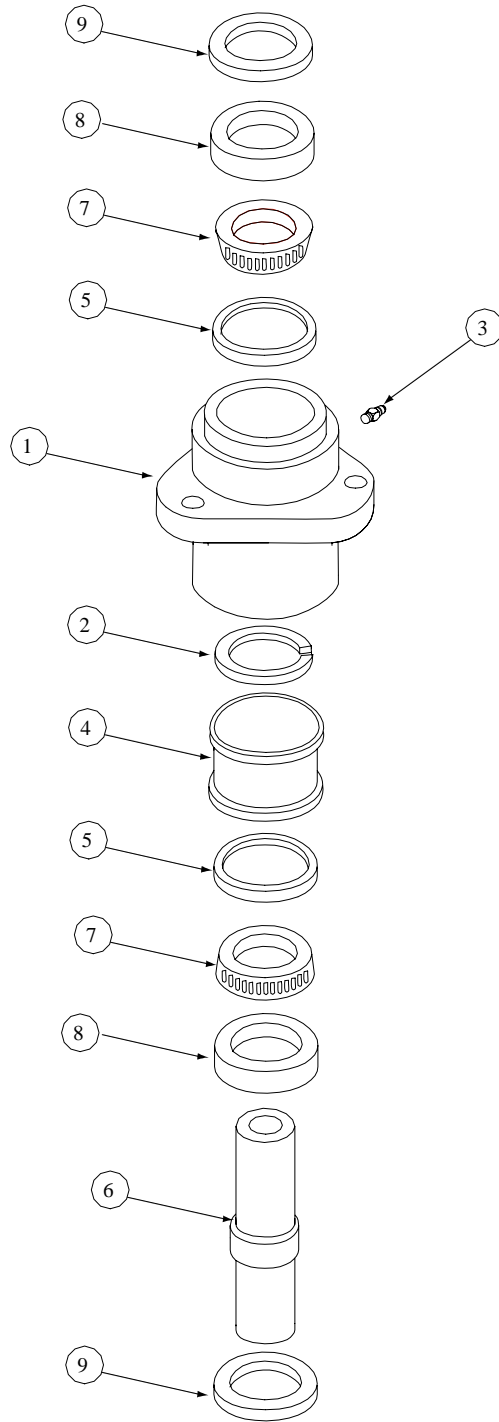
Replaces 01003280

Use with Ref 21 and Ref 22 on page 27

Replaces 01004315

# 54" Deck Spindle - Figure 5

---

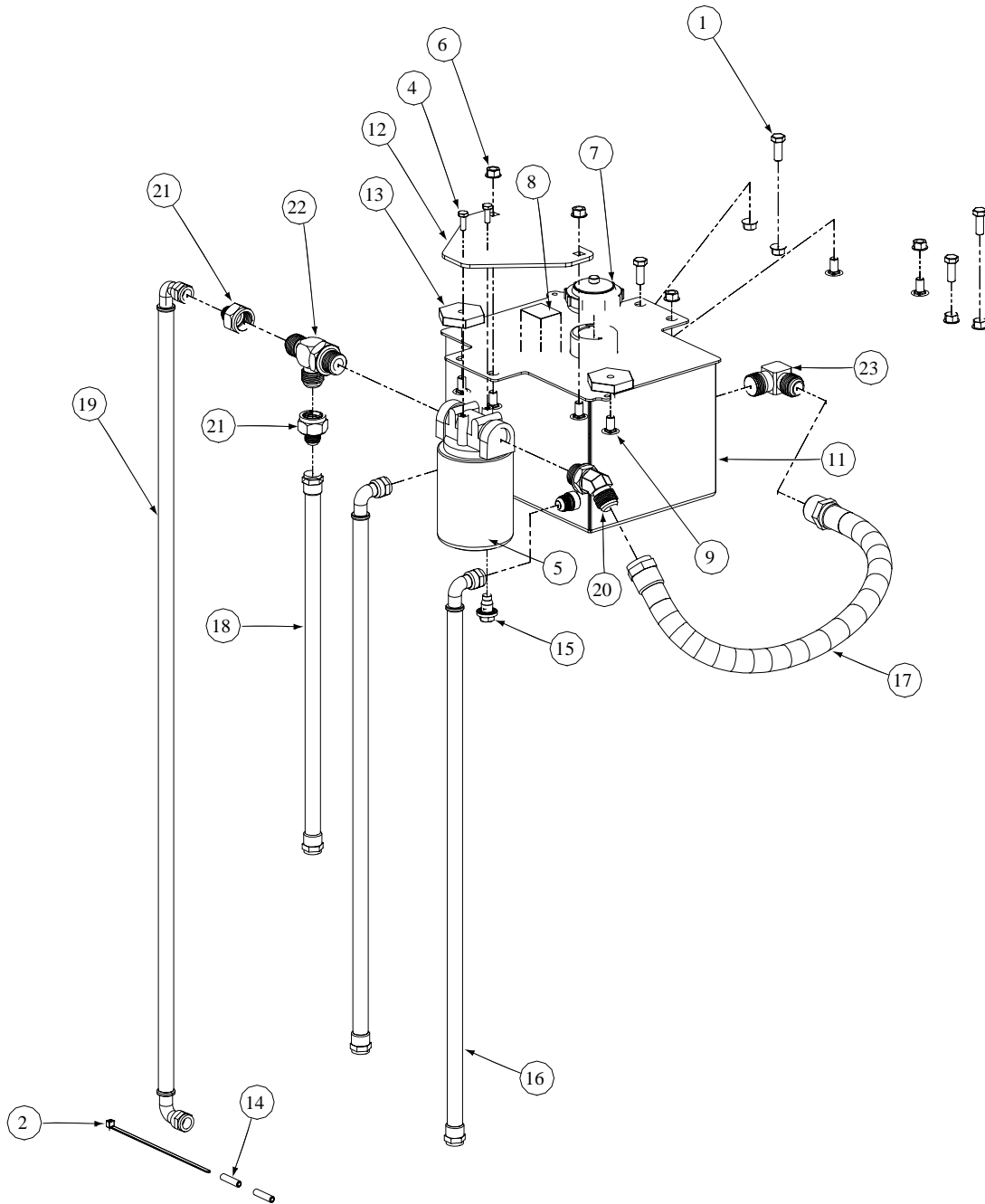


## 54" Deck Spindle - Parts List for Figure 5

---

<b>Ref. No.</b>	<b>Part No.</b>	<b>Description</b>	<b>Qty.</b>
1	01001489	Spindle Housing	1
2	01000144	Spacer Bearing	2
3	01000141	Grease Fitting	1
4	01000145	Spacer	1
5	01000142	Cup Bearing	2
6	01000139	Shaft Blade Spindle	1
7	01000143	Cone Bearing	2
8	01000146	Ring Seal	2
9	01000140	Oil Seal	2

# Hydro Pump Assembly w/o oil cooler- Figure 6



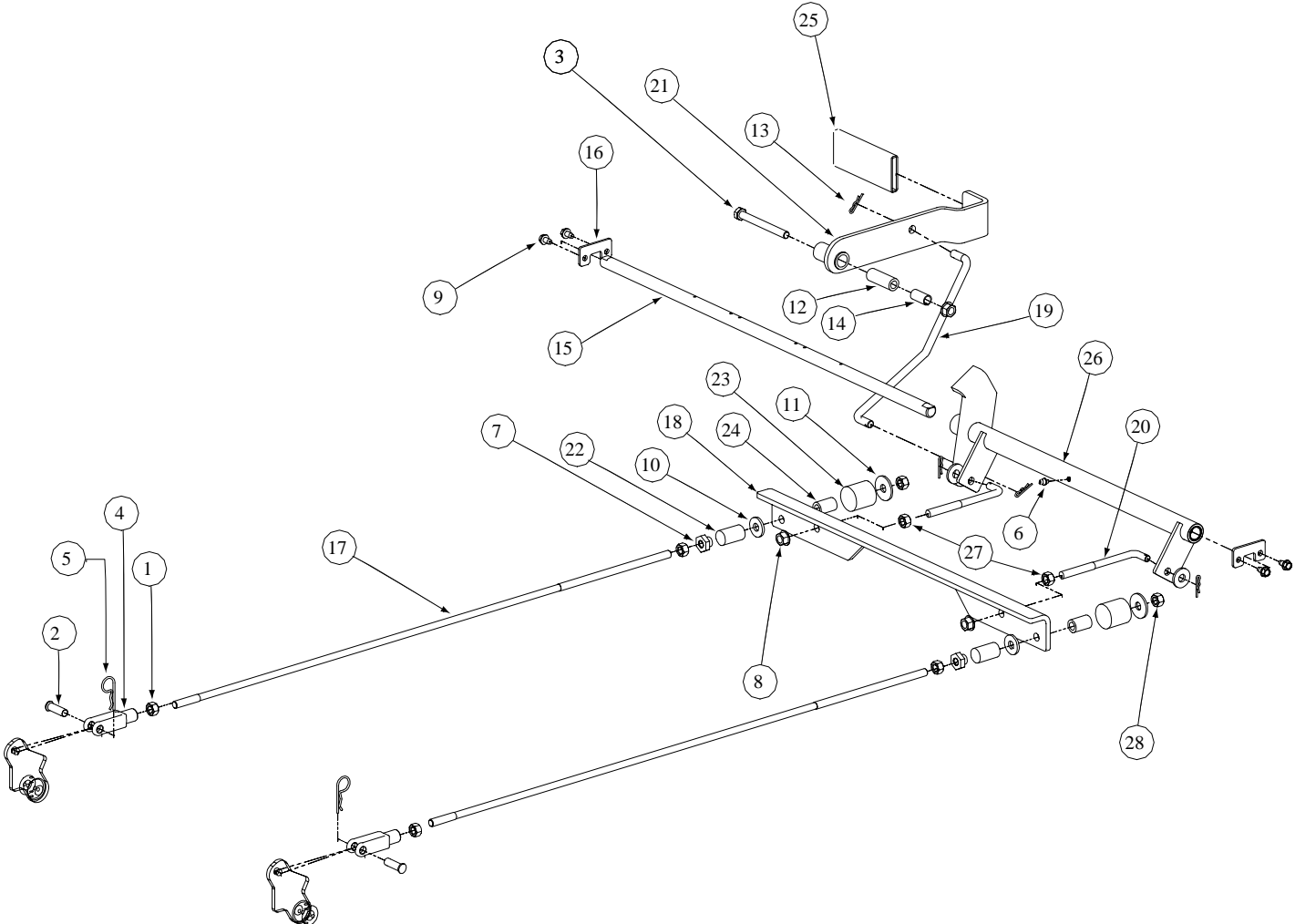
## Hydro Pump Assembly w/o oil cooler - Parts List for Figure 6

---

Ref. No.	Part No.	Description	Qty.
1	00006144	Hex Cap Screw, 3/8-16, 1	4
2	00012470	Cable Tie, 3/16 x .05 x 7.4	5
3	<b>00012529</b>	<b>Sleeve, Reel Return Line</b>	<b>1</b>
4	<b>00013131</b>	<b>Hex Cap Screw, 1/4-20, .75</b>	<b>2</b>
5	00017665	Filter Head 3/4 includes:	1
	01004166	33 Micron Filter	
6	00022560	Hex Nut Flange Lock, 3/8-16	8
7	00030261	Cap, Hydro Oil Tank	1
8	00031994	Decal Oil Only 20W50	1
9	01000372	Carriage Bolt, 3/8-16 x .75 LG.	6
10	--	--	--
11	<b>01004515</b>	<b>Hydraulic Tank Assembly</b>	<b>1</b>
12	01001649	Mounting Plate Oil Filter	1
13	01003820	Spacer, 2.000 Hex x .41 LG	2
14	<b>01004161</b>	<b>Set Screw, 5/16-24 x 1.25</b>	<b>2</b>
15	01004192	Oil Pan Drain w/ Seal and Plug	1
16	<b>01004267</b>	<b>Gearbox to Tank Hose Assembly</b>	<b>2</b>
17	<b>01004268</b>	<b>Tank to Filter Hose Assembly</b>	<b>1</b>
18	<b>01004269</b>	<b>Filter to Left Hand Pump Hose Assembly</b>	<b>1</b>
19	<b>01004270</b>	<b>Filter to Right Hand Pump Hose Assembly</b>	<b>1</b>
20	<b>01004272</b>	<b>Connector, 3/4 x 3/4</b>	<b>1</b>
21	<b>01004273</b>	<b>Adapter 3/4 x 1/2</b>	<b>2</b>
22	<b>01004274</b>	<b>Fitting Tee, 3/4 x 3/4 x 3/4</b>	<b>1</b>
23	<b>01004702</b>	<b>Fitting Elbow, 1/2 x 1/2</b>	<b>1</b>

**NOTE:** Drive System Fluid Plus, 737-3120 Quart / 737-3121 Gallon

# Brake Assembly - Figure 7



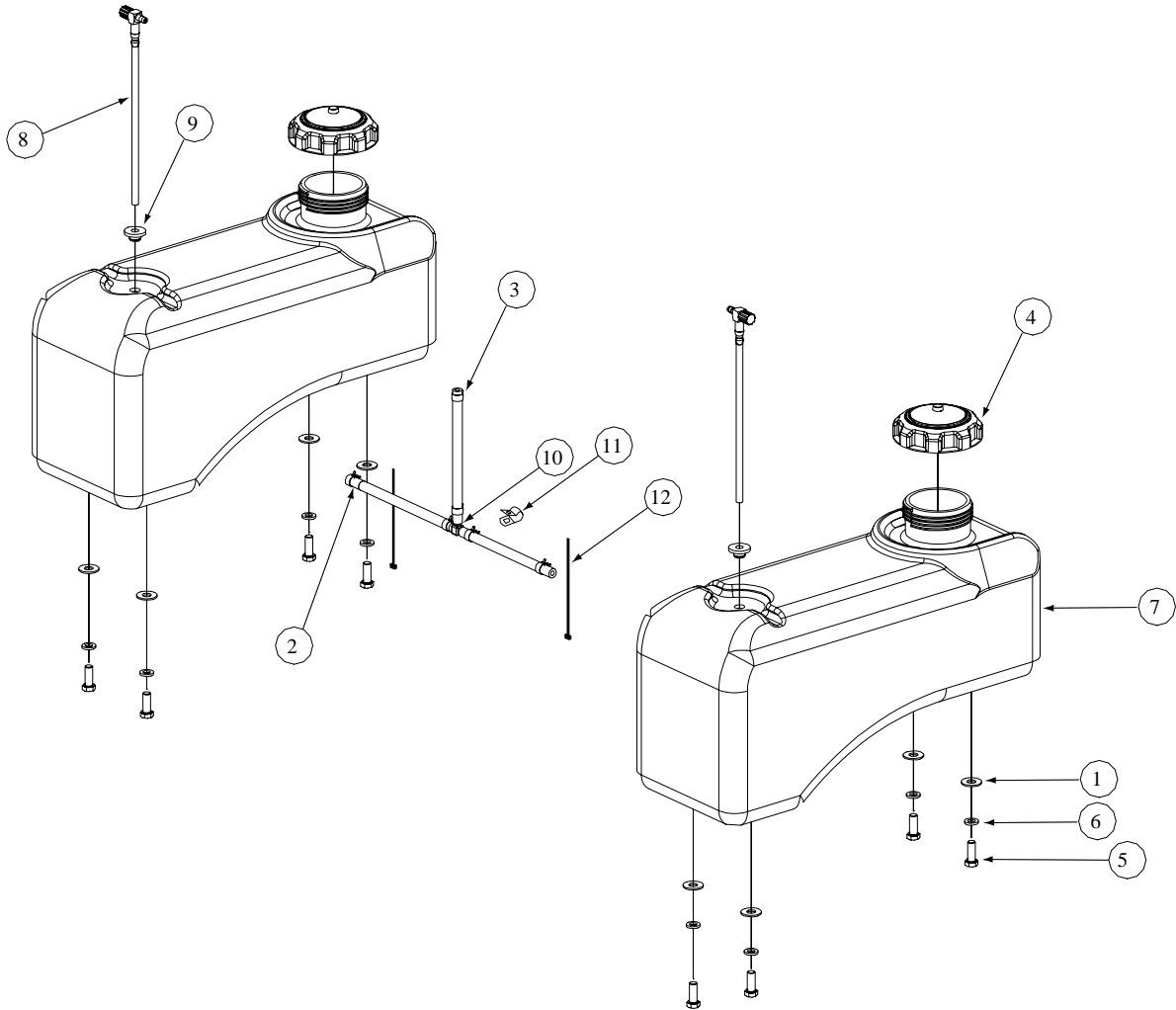
## Brake Assembly - Parts List for Figure 7

---

Ref. No.	Part No.	Description	Qty.
1	00006131	Hex Nut, 3/8-16	4
2	00009678	Clevis Pin, 3/8 x 1, 1/8	2
3	00011888	HHCS, Standard, 3/8-16 x 3-1/2	1
4	00021955	Yoke, 3/8-16, Female	2
5	00021956	Hair Pin, 3/8"-1/2"	2
6	00012226	Grease Fitting, 1/4-28, 90°	1
7	01000100	Shoulder Nut	2
8	00022560	Nut, Flange Lock, 3/8-16	3
9	01000628	Screw, TT, 1/4-20, .5, Hex Index Washer	4
10	01000723	Flat Washer, .406 ID, 1.0 OD, .105	4
11	01000872	Flat Washer, .411 x 1.25 x .100	2
12	01002751	Spacer, .39 ID x .63 OD x 1.75	1
13	01002771	Cotter Pin, INT .072 x 1.12	4
14	01002772	Spacer, .375 x .50 x 1.02	1
15	01002980	Mounting Shaft, Bellcrank	1
16	01003591	Holder Shaft, Park Brake	2
17	01003410	Rod Connector, 3/8 OD 5.75	2
18	01003594	Brake Bracket	1
19	01003415	Rod Brake, Connect To Handle	1
20	01003417	Rod Connector, 3/8 OD x 33.	2
21	01003596	Weldment, Handle Brake	1
22	01003574	Brake Spring, Neutral	2
23	01003575	Brake Spring, Force	2
24	01003576	Brake Hose, Center	2
25	01003716	Grip, Park Brake	1
26	01003728	Weldment Hub, Brake Bearing	1
	01004265	Bearings	2
27	01002511	Jam Nut, 3/8-16	2
28	00012173	Lock Nut, Nylon Insert, 3/8-16	2

# Fuel Tank Assembly - Figure 8

---



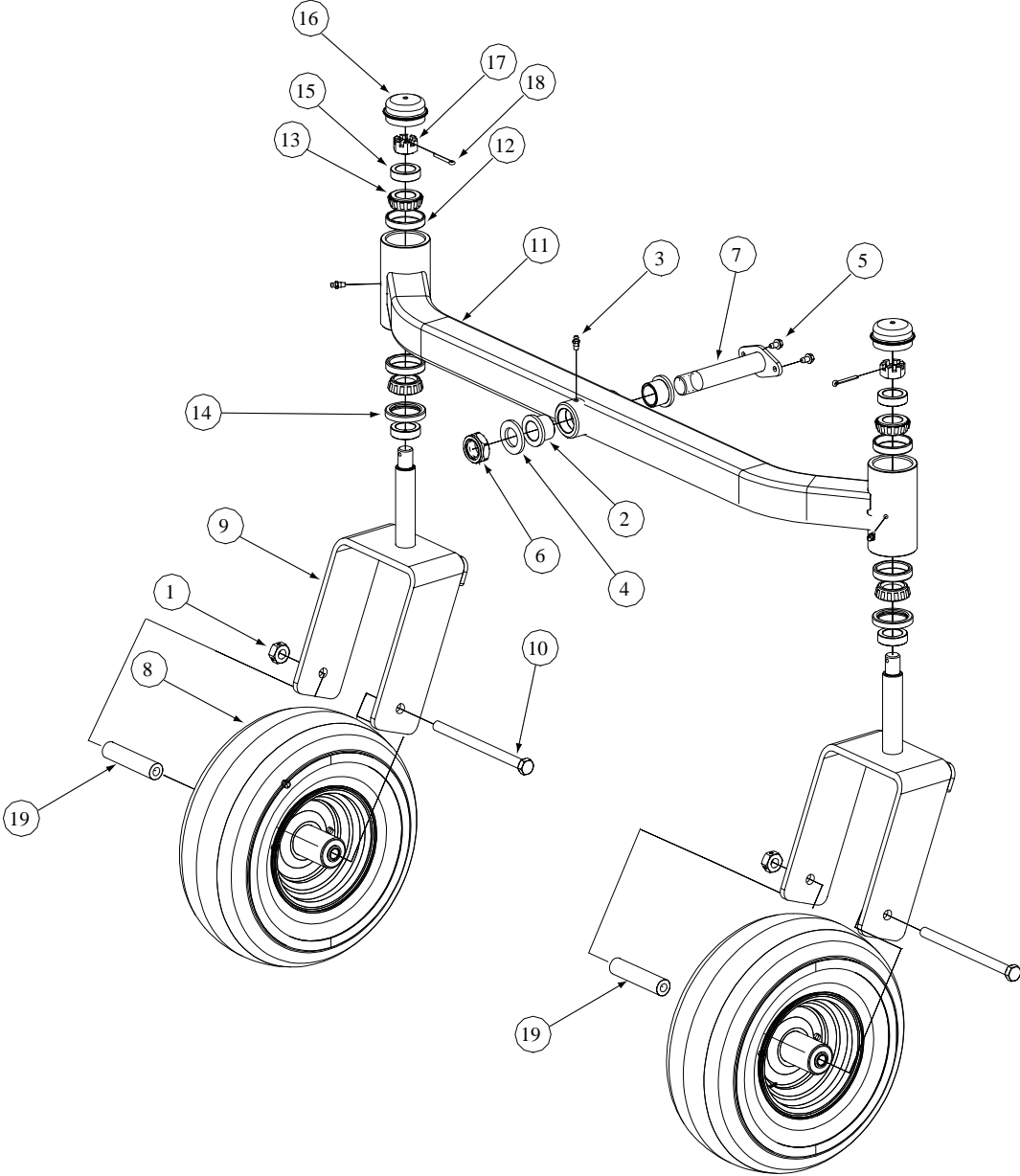


## Fuel Tank Assembly - Parts List for Figure 8

---

Ref. No.	Part No.	Description	Qty.
1	01000723	Flat Washer, .406 ID, 1.0 OD, .105	8
2	00012231	Hose, 1/4" Fuel Line (in inches)	72.5
3	00012235	Clamp, Union	6
4	01000069	Fuel Cap, 3.5	2
5	01000368	Hex, Cap Screw, 3/8-16, .88	8
6	00012157	Lock Washer, 3/8	8
7	01004350	Fuel Tank	2
8	01003116	Fuel Fitting	2
9	01003117	Bushing, Fuel Tank	2
10	01003473	Tee Fitting, Fuel	1
11	00031081	Clamp	6
12	00012470	Cable Tie	2

# Front Caster Assembly - Figure 9



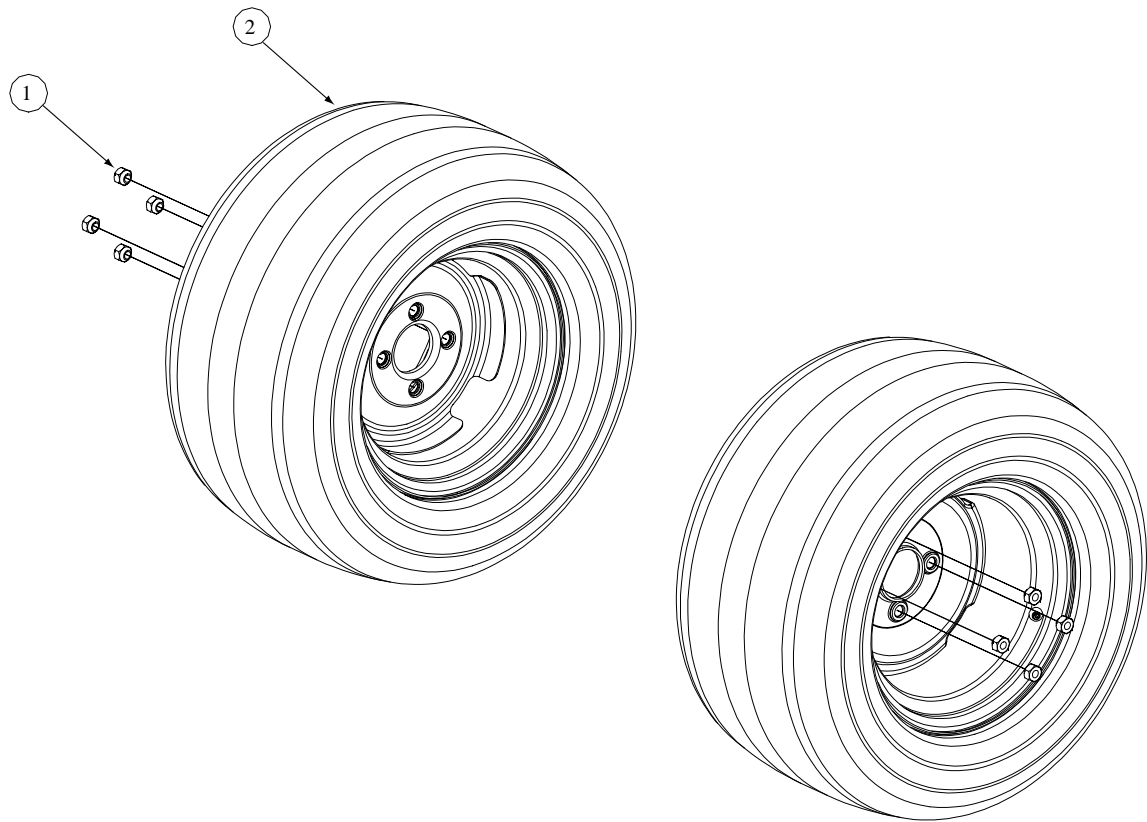
## Front Caster Assembly - Parts List for Figure 9

---

Ref. No.	Part No.	Description	Qty.
1	00023287	Nut, 1/2-20, Center Lock	2
2	00023793	Flange Bearing	2
3	00060078	Grease Fitting	3
4	00023822	Special Washer	1
5	01000628	Screw TT, 1/4-20, .5 Hex IndexWasher	2
6	01000678	Nut, Jam, 1.0-14, Insert Lock	1
7	01003118	Pin Weldment	1
8	01002180	Wheel, 13 x 5-6, White: Includes;	2
	01004472	Tire, Smooth, 13x5.00-6, 4-ply	
9	01001624	Bracket Assembly, Caster Mount	2
10	01002611	HHCS, 1/2-20, 7.00	2
11	01001627	Front Axle Assembly	1
12	01002620	Cup Bearing	4
13	01002621	Bearing Cone	4
14	01002622	Seal	2
15	01002624	Ring Seal	4
16	01002625	Grease Cap, 1.986 OD	2
17	01002626	Slotted Nut, 3/4-16	2
18	01002627	Cotter Pin, 5/32, 1.25	2
19	01004128	Wheel Spacer	2

# Wheel Assembly - Figure 10

---



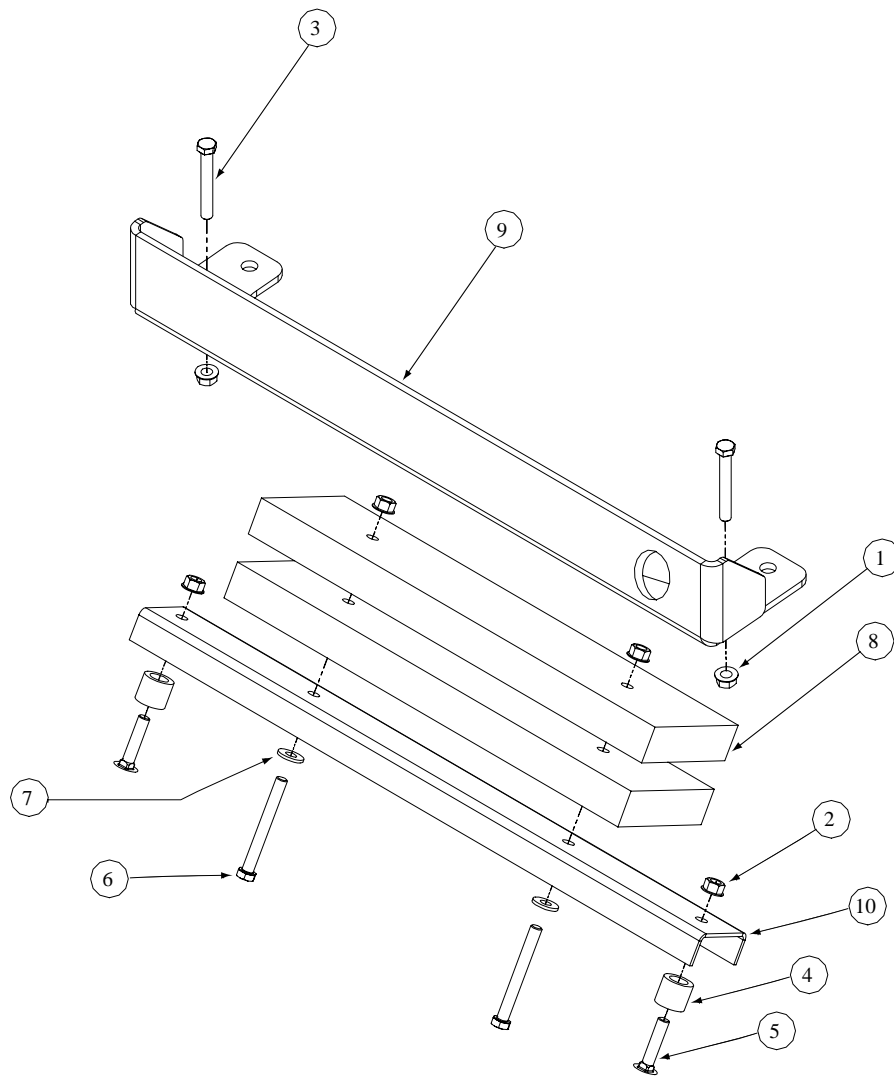
## Wheel Assembly- Parts List for Figure 10

---

<b>Ref. No.</b>	<b>Part No.</b>	<b>Description</b>	<b>Qty.</b>
1	01001966	Lug Nut, 7/16-14	8
2	01002182	Wheel Assembly, 24 x 12-8, Dr, White: Includes	2
	01004473	Tire, Turf Saver, 24 x 12.00-12, 2-Ply	

# Rear Bumper - Figure 11

---

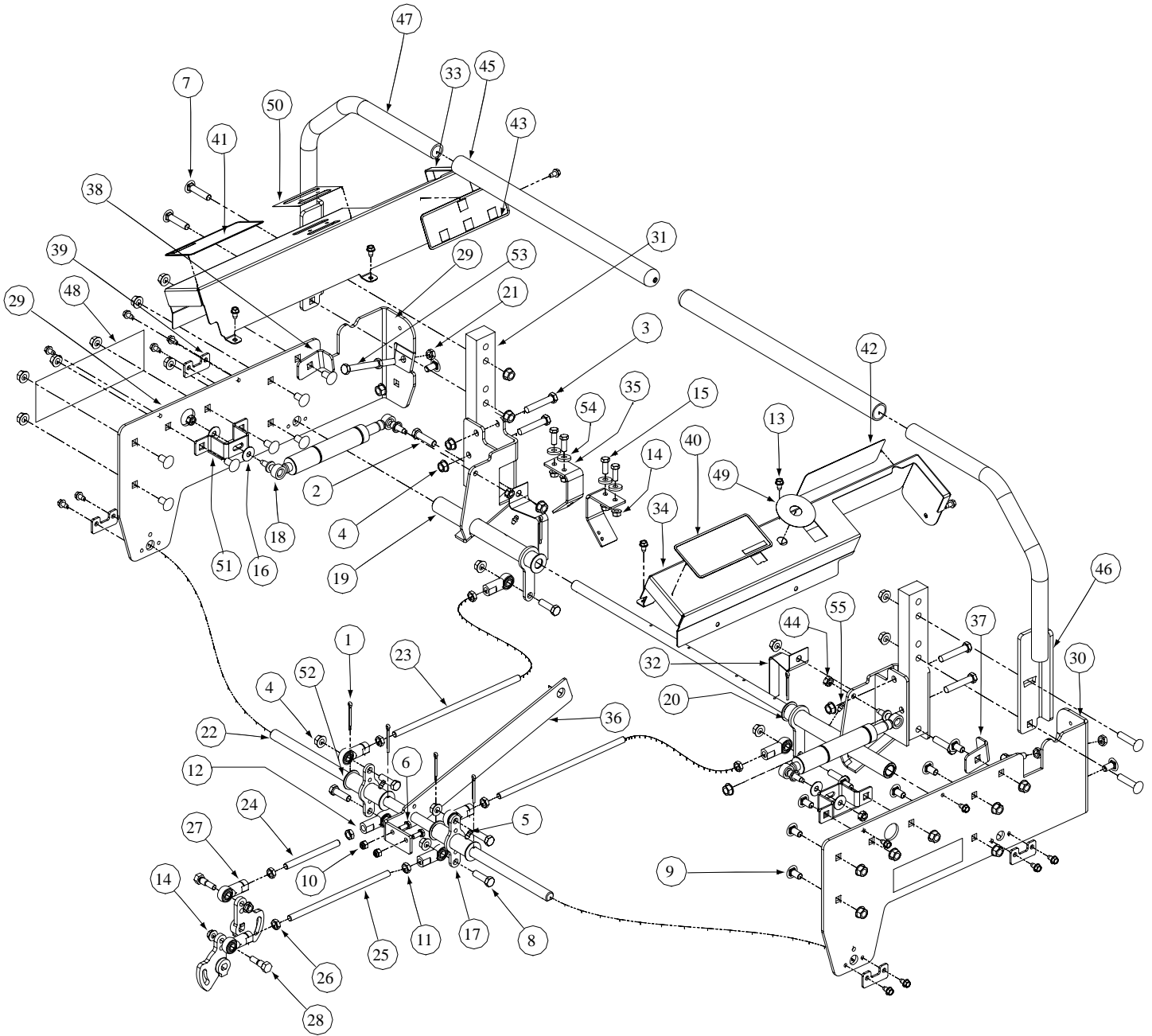


## Rear Bumper- Parts List for Figure 11

---

<b>Ref. No.</b>	<b>Part No.</b>	<b>Description</b>	<b>Qty.</b>
1	00012428	Hex Nut, 1/2-13, Insert Lock	2
2	00022560	Nut, Hex 3/8-16 Flange Lock	4
3	00030046	HHCS, 1/2-13, 3.00	2
4	01000917	Spacer Crossbar	2
5	01000364	Carriage Bolt, 3/8-16, 1.75	2
6	01000371	HHCS, 3/8-16, 3.25	2
7	01000723	Flat Washer, .406 ID x 1.0 OD x .105	2
8	01002152	Bar, Weight	2
9	01005066	Rear Bumper Plate	1
10	01003795	Bumper Cross Bar-Rear	1

# Control Assembly- Figure 12



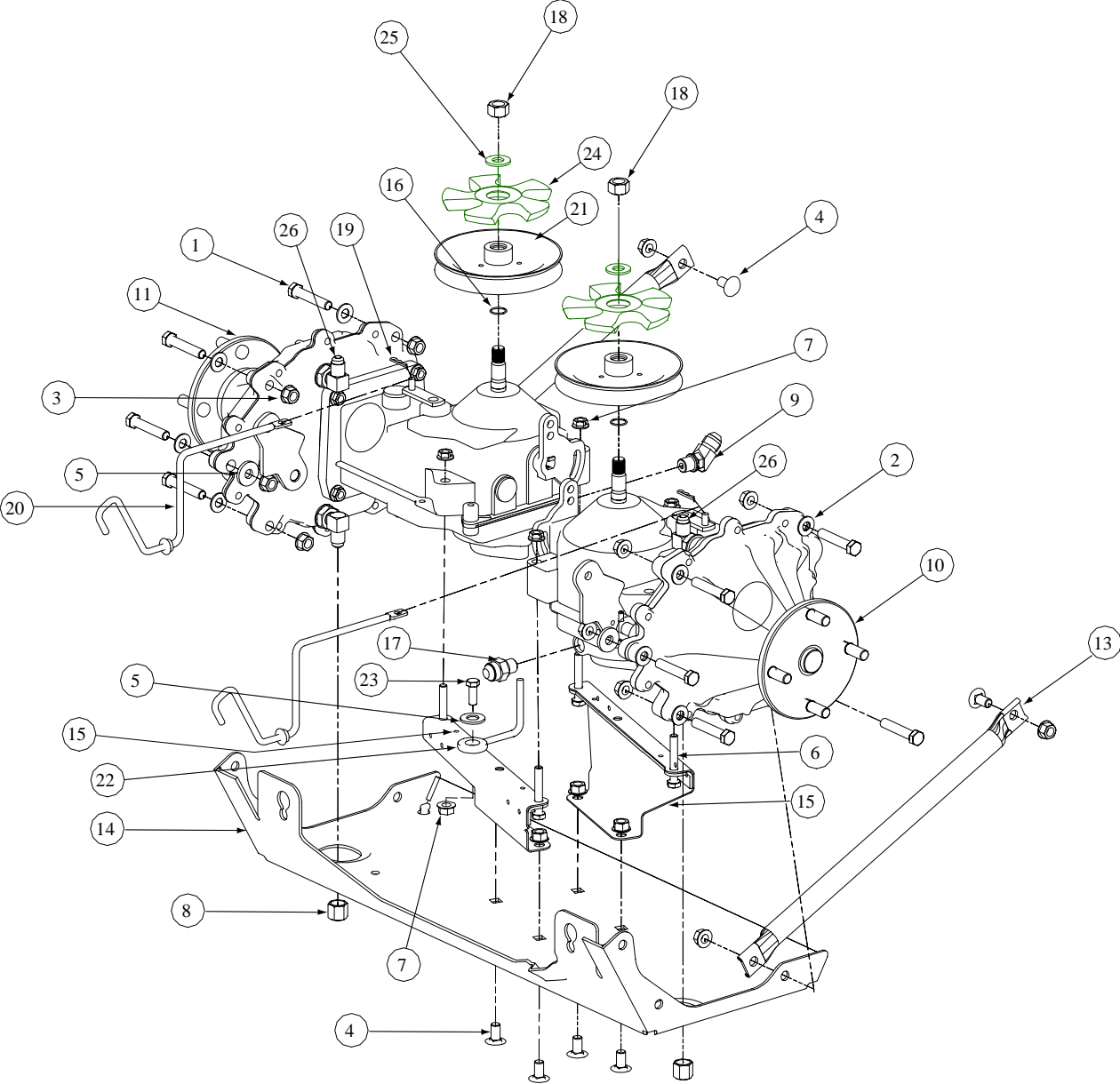


## Control Assembly - Parts List for Figure 12

Ref. No.	Part No.	Description	Qty.	Ref. No.	Part No.	Description	Qty.
1	00003107	Cotter Pin 5/32 x 1-1/2	6	28	01002988	Screw, Shoulder Control Rod	2
2	00010980	HHCS, 3/8-16, 2.00	2	29	01001950	Mounting Shaft, Control, Left	1
3	00011861	HHCS, 3/8-16, 2.25	4	30	01001951	Mounting Shaft, Control, Right	1
4	00022560	Hex Nut, 3/8-16, Lock Flange	32	31	01003009	Mounting Handle	2
5	00060078	Grease Fitting, 1/4-28 x 3/16	2	32	01003011	Lever, Safety Switch	2
6	01000338	HHCS, 1/4-20, .620	2	33	01001639	Control Panel, LH	1
7	01000364	Hex Carriage Screw, 3/8-16, 1.75	4	34	01001640	Control Panel, RH	1
8	01000369	HHCS, 3/8-16, 1.25	6	35	01003588	Switch Mounting Bracket, MMZ Lapbar	2
9	01000372	Carriage Bolt, 3/8-16 x .75	16	36	01001969	Link Mounting Control Shaft, Bracket	1
10	01000446	Lock Hex Nut, 1/4-20	2	37	01001956	Stop, RH	1
11	01000450	Hex Jam Nut, 3/8-24	4	38	01001957	Stop, LH	1
12	01000451	B/Joint, 3/8-24, Right Hand Female	4	39	01003591	Holder Shaft, Park Brake	4
13	01000628	Screw, TT, 1/4-20, 0.5, Hex Index	18	40	01003449	Decal MMZ, Right Hand Console	1
14	01000635	Nut, Lock, HexFlange, 5/16-18	6	41	01003450	Decal, Left Hand Console	1
15	00013406	Hex, Cap Screw, 5/16-18 x 3/4	4	42	01003451	Decal Right Hand Control	1
16	01000960	Belle Washer, .325 x .930 x .045	4	43	01003452	Decal, Left Hand Control	1
17	<b>01001696</b>	<b>Belle Crank Assembly, includes:</b>	<b>2</b>	44	01003561	Nut, Hex, Center Lock, M8	4
	<b>01000308</b>	<b>Bushing</b>	<b>2</b>				
		<b>Added Ref # 5 00060078</b>		45	01003715	Grip, 1.0	2
18	01001727	Cylinder Return to Neutral	2	46	01001614	Lapbar, Weldment, Right Handle	1
19	01001946	Hub Assy, Control LH Bearing	1	47	01003731	Lapbar, Weldment, Left Handle	1
	01004265	Bearings	2	48	01003856	Side Label, MTD Pro	2
20	01001947	Hub Assy, Control RH Bearing	1	49	01003857	Label, Ignition, 2.5 Diameter	1
	01004265	Bearings	2	50	01003858	Label, Control, Throttle and Choke	1
21	01002511	Nut, 3/8-16, Jam	4	51	01001961	Bracket Assembly, Mount Dampener	2
22	01002980	Shaft Mounting Belle Crank	2	52	01004003	Flat Washer, 5/8 Nylon	6
23	01002982	Rod Connector 3/8 OD x 10.125	2	53	01004127	HHCS, 3/8-16, 3.00	2
24	01002983	Rod Connector, 3/8 OD x 4.28 LG LH	1	54	00009812	Flat Washer, 5/16	4
25	01002984	Rod Connector, 3/8 OD x 8.06 LG RH	1	<b>55</b>	<b>00012226</b>	<b>Grease Fitting, 90°</b>	<b>2</b>
26	01002986	Nut, 3/8-24, Jam, LH Third	4				
27	01002987	B/Joint, 3/8-24, LH Female	4				

Added 90°

# Drive Assembly- Figure 13



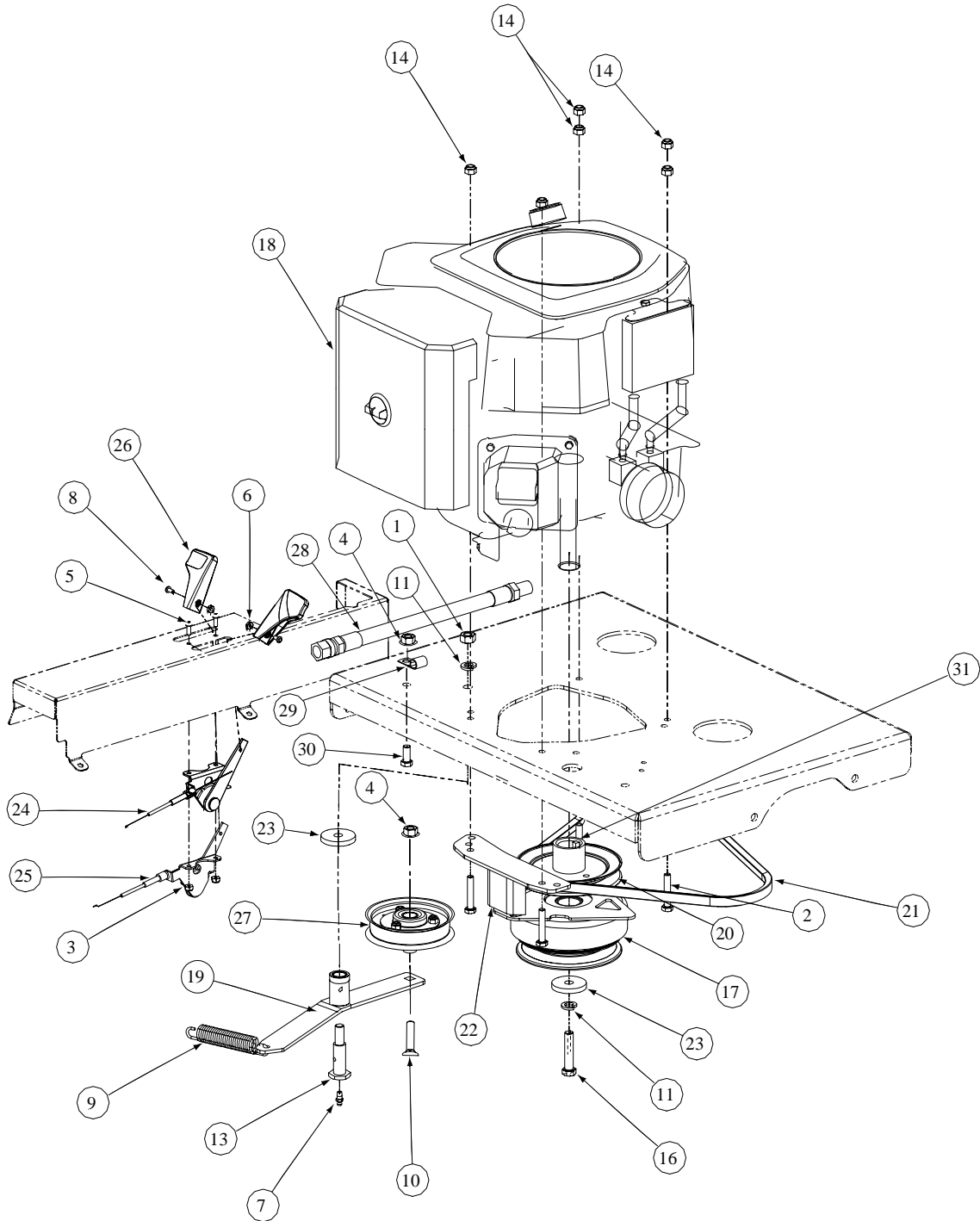
## Drive Assembly - Parts List for Figure 13

Ref. No.	Part No.	Description	Qty.
1	00002528	HHCS, 3/8-16, 2.00	10
2	00012158	Flat Washer, 3/8, SAE	10
3	00022560	Hex Nut, 3/8-16, Flange Lock	16
4	01000372	Carriage Bolt, 3/8-16 x .75 Long	6
5	01000390	Flat Washer, .385 x 1.0 OD x .13	3
6	00013198	HHCS, 5/16-18, 2.00	4
7	01000635	Lock Nut, Hex Flange, 5/16-18	5
8	01001623	Nut, Cap, 3/8	2
9	01001975	Elbow Fitting, 3/8-1/2, 45 degree	1
10	01002588	Pump Assembly, Right Hand	1
11	01002589	Pump Assembly, Left Hand	1
12	-	-	-
13	01004345	Strut, Frame	2
14	01004346	Plate Assembly, Skid	1
15	01004347	Bracket Assembly, Support Pump	2
16	01002603	Ring, Wire	2
17	01002606	Fitting Connector, 1/2 x 3/8	1
18	01005191	Nut, 1/2-20, Hex Insert Lock Jam	2
19	01002771	Cotter Pin, .0721 x 1.12 Long	2
20	01003268	Rod, Release, Pump	2
21	01003732	Pulley, Transmission Hydro, Slotted	2
22	<b>01005114</b>	<b>Guide, Traction Drive Belt</b>	<b>1</b>
23	00013092	Hex, Cap Screw, 5/16-18 x 1.0	2
24	01005131	Hydro Pulley Fan	2
25	00011459	1/2" Flat Washer	2
26	01004542	Fitting Elbow, 3/8 x 3/8	2

Replaces 00021931

# 25HP Kohler Engine Assembly - Figure 14

---



## 25HP Kohler Engine Assembly - Parts List for Figure 14

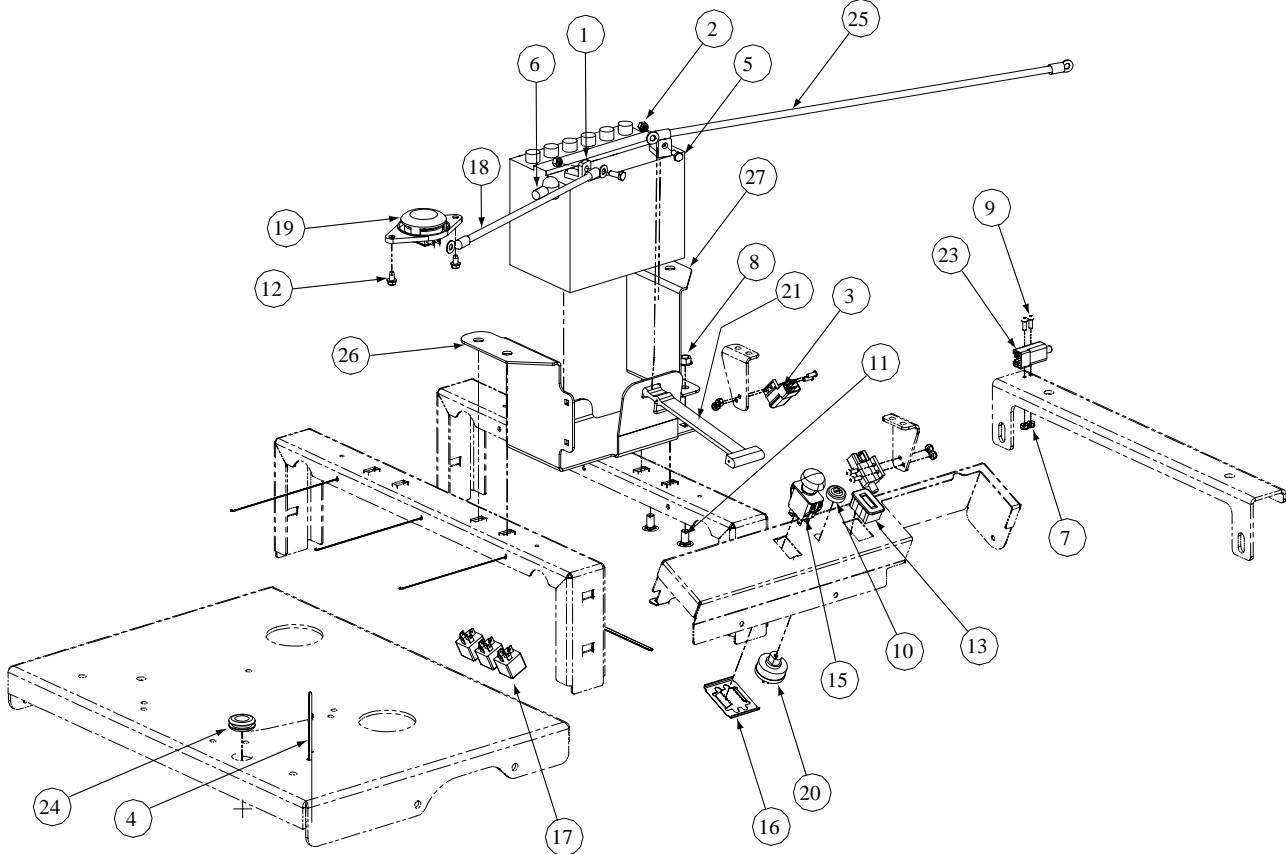
Ref. No.	Part No.	Description	Qty.
	1	00005763 Hex Nut, 7/16-14	1
	2	00006129 HHCS, 5/16-18, 1-3/4	4
	3	00014608 Nut, Lock, Nylon Insert, #10-32	2
	4	00022560 Hex Nut, 3/8-16, Flange Lock	2
	5	00014602 Screw, Machine 10-32 x 3/4	2
	6	00060056 Nut, Washer, 8-32	2
	7	00060078 Grease Fitting, 1/4-28 x 3/16	1
	8	01000721 Machine Screw, 8-32, .375	2
	9	01000199 Extension Spring, 1.0 OD x 5.125	1
	10	01000364 Screw, 3/8-16, 1.75, Hex Carriage	1
	11	01000389 Lock Washer, 7/16	2
	12	<b>Replaced by Ref 13, 19, 21, 23</b>	
<b>Use with Ref 19, 21, 23</b>	13	<b>01000302 Shoulder Bolt</b>	<b>1</b>
	14	01000635 Lock Nut, Hex Flange, 5/16-18	6
	-	Engine Oil 10W 40,	
	16	01001082 Capscrew, 7/16-20 x 2"	1
	17	01001979 Clutch, Brake, 1.125" ID	1
	18	01002105 Engine 25 HP, Kohler	1
<b>Use with Ref 13, 21, 23</b>	19	<b>01005006 Arm Assy Brg Idler Plated includes:</b>	<b>1</b>
		<b>01000308 Bearing</b>	<b>2</b>
	20	01002880 Drive Pulley, 5.0 Trans	1
<b>Use with Ref 13, 19, 23</b>	21	<b>01005010 V-Belt, A Section x 47.3</b>	<b>1</b>
	22	01001655 Retension Assembly, Ogura 1.125 ID Clutch	1
<b>Use with Ref 13, 19, 21</b>	23	<b>01003269 Flat Washer, 7/16 ID x 1.75 OD</b>	<b>2</b>
	24	01003270 Control Cable, 33.0 Choke	1
	25	01003273 Control Cable, 45.0 Throttle	1
	26	01004004 Knob, Throttle Control	2
	27	01004081 Pulley, Idler, 4.06"	1
	28	01003283 Hose, Kohler Oil Drain	1
	29	01000728 Clip, Cable/Hose	1
	30	01002601 HHCS, 3/8-16 x .750	1
	31	00021533 Key, 1/4 x 1/4 x 2-1/2	1

**Replaces 01000393**  
**Replaces 01005005**

**Replaces 01002879**

**Replaces 01002882**

# Electrical Assembly Kohler - Figure 15

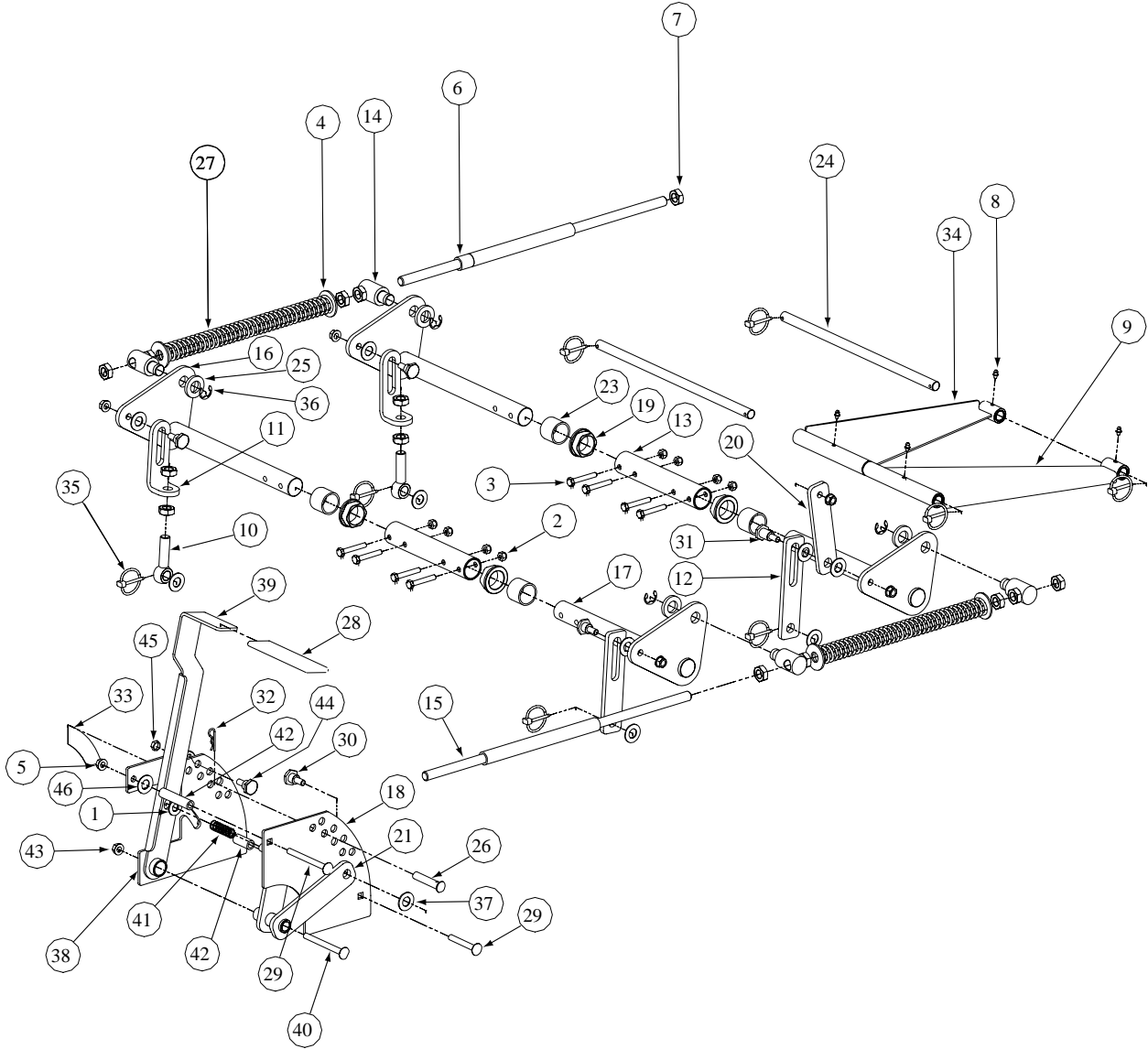


## Electrical Assembly Kohler - Parts List for Figure 15

Ref. No.	Part No.	Description	Qty.
1	<b>925-0453F</b>	Battery, 12V 225CCA 30 Min	1
2	00012152	Lock Nut, Nylon Insert, 1/4-20	2
3	00012242	Delta Switch	2
4	00012470	Cable Tie, 3/16 x .05 x 7.4	5
5	00013131	HHCS, 1/4-20, .75	2
6	00013258	Boot, OD Rubber Battery-PST Red	1
7	00014608	Lock Nut, Nylon Insert, 10-32	6
8	00022560	Hex Nut, 3/8-16 Flange Lock	2
9	00030906	Phillips Head Screw, Machine, 10-32 x 5/8	6
10	00032097	Nut, W/Cap, 5/8-32 Ignition	1
11	01000372	Carriage Bolt, 3/8-16 x .75 Long	2
12	01000628	Screw, TT, 1/4-20, 0.500, Hex Index Washer	2
<b>13</b>	<b>01005389</b>	<b>Hour Meter</b>	<b>1</b>
14	01001811	Harness, Hourmeter	1
15	01002111	Electric PTO Switch	1
16	01002160	Bracket, PTO Retainer Switch	1
17	01002251	Relay, 12V 40A	3
18	01002252	Battery Cable Red, 24"	1
19	01003277	Seat Switch	1
20	01003581	Ignition Switch, 6 Pin	1
21	01003649	Battery Strap, 400	1
--	01003678	Harness Assembly (not shown)	1
23	01003712	Plunger Switch	1
24	01004040	Grommet, .75 ID	1
25	01004078	Cable Battery Red, 24"	1
26	01004513	Bracket Mount, Battery	1
27	01004558	Bracket Mount, Battery	1

Replaces 01001722

# Lift Assembly - Figure 16



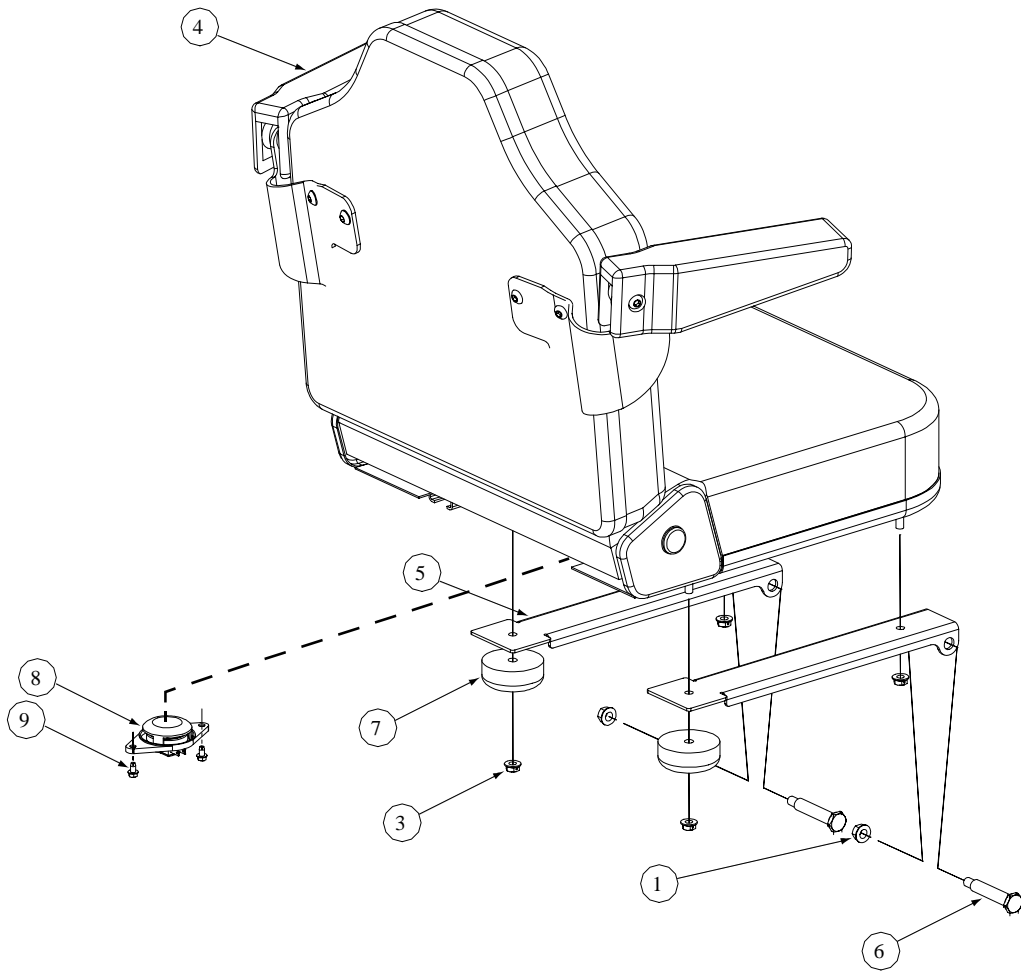


# Lift Assembly - Parts List for Figure 16

Ref. No.	Part No.	Description	Qty.	
	1	00060017 Flat Washer, SAE, 3/4	1	
	2	00012165 Nut, 5/16-18, Nylock	8	
	3	00013198 HHCS, 5/16-18 x 2	8	
	4	00013432 Flat Washer, 5/8, USS	4	
	5	00022560 Hex Nut, 3/8-16 Flange Lock	7	
	6	00030918 Hose, 5/8" PVC, Clear Reinforced (in ft.)	1.2	
	7	00035632 Jam Nut, 5/8-11	14	
	8	00060078 Grease Fitting, 1/4-28, x 3/16	4	
	9	01001737 Brace Assembly, Right Hand Bearing Lift	1	
		01000308 Bearings	2	
		01004265 Bearings	2	
	10	01001744 Eye Bolt, 5/8 ID	2	
	11	01003541 Mounting Link, 5/8 ID Eye Bolt	2	
	12	01003543 Deck Link	2	
	13	01004638 Holder, Shaft Lift	2	
	14	01001855 Ferrule Lift	4	
	15	01001857 Rod, Connector Lift	2	
	16	01003545 Weldment, Bellcrank Lift Right Hand	2	
	17	01003546 Weldment, Bellcrank Lift Left Hand	2	
	18	01003549 Plate Index Lift	1	
	19	01001930 Bearing Flange, Hex, 1.25	4	
	20	01003551 Link, Lift, Index To Bellcrank	1	
Use with Ref 29, 38, 39, 41, 42, 44, 45, 46	21	<b>01004969 Weldment, Lift Handle</b>	<b>1</b>	<b>Replaces 01003553</b> <b>Refer to Service Advisory P-005</b>
	--			
	23	01001973 Spacer Lift Frame	4	
	24	01002586 Rod Mount Front Lift Link	2	
	25	01003123 Spacer, .812 ID x .268 Long	4	
	26	01003284 Clevis Pin, .500 Dia. x 2.625 Long	1	
	27	01003318 Spring, Compression, Lift	2	
	28	01003477 Grip, Lift Handle	1	
Use with Ref 21, 38, 39, 41, 42, 44, 45, 46	29	01003534 Carriage Bolt, 3/8-16, 2.75	<b>2</b>	<b>Quantity was 1</b>
	30	01003535 Shoulder Screw, .625 OD x .437 Long	4	
	31	01003536 Shoulder Screw, .625 OD x .830 Long	1	
	32	01003537 Cotter Pin, .148 x 3.00	1	
	33	01003859 Decal, Height Indicator	1	
	34	01003989 Brace Assembly, Left Hand Bearing Lift	1	
		01000308 Bearings	2	
		01004265 Bearings	2	
	35	01003993 Linch Pin, 3/16 Dia	8	
	36	01003994 Clip E, 3/4 Dia	4	
	37	01004003 Flat Washer, 5/8 Nylon	10	
Use with Ref 21, 29, 39, 41, 42, 44, 45, 46	38	<b>01004985 Weldment, Plate, Index, Lift</b>	<b>1</b>	<b>Replaces 01004084</b>
Use with Ref 21, 29, 38, 41, 42, 44, 45, 46	39	<b>01004973 Lift, Handle Assembly</b>	<b>1</b>	<b>Replaces 01004086 (shown in illustration)</b>
	40	00011925 Screw, Hex Cap, 3/8-16 x 3.75	1	<b>Quantity was 2</b>
Use with Ref 21, 29, 38, 39, 42, 44, 45, 46	41	<b>01004971 Spring, Lift Handle</b>	<b>1</b>	<b>Replaces 01004063</b>
Use with Ref 21, 29, 38, 39, 41, 44, 45, 46	42	<b>01004080 Spacer, .39 ID x .63 OD x 1.442</b>	<b>2</b>	<b>Quantity was 1</b>
	43	<b>00012173 Nut, Lock, Nylon Insert, 3/8-16</b>	<b>1</b>	
Use with Ref 21, 29, 38, 39, 41, 42, 45, 46	44	<b>01004984 Shoulder Screw, 5/8 OD x 0.264</b>	<b>1</b>	<b>New Item (use with 01004985 index plate)</b>
Use with Ref 21, 29, 38, 39, 41, 42, 44, 46	45	<b>00012428 Nut, Nylon Lock, 1/2-13</b>	<b>1</b>	<b>New Item (use with 01004985 index plate)</b>
Use with Ref 21, 29, 38, 39, 41, 42, 44, 45	46	<b>00083192 Idler Washer</b>	<b>1</b>	<b>New Item</b>

# Seat Assembly- Figure 17

---



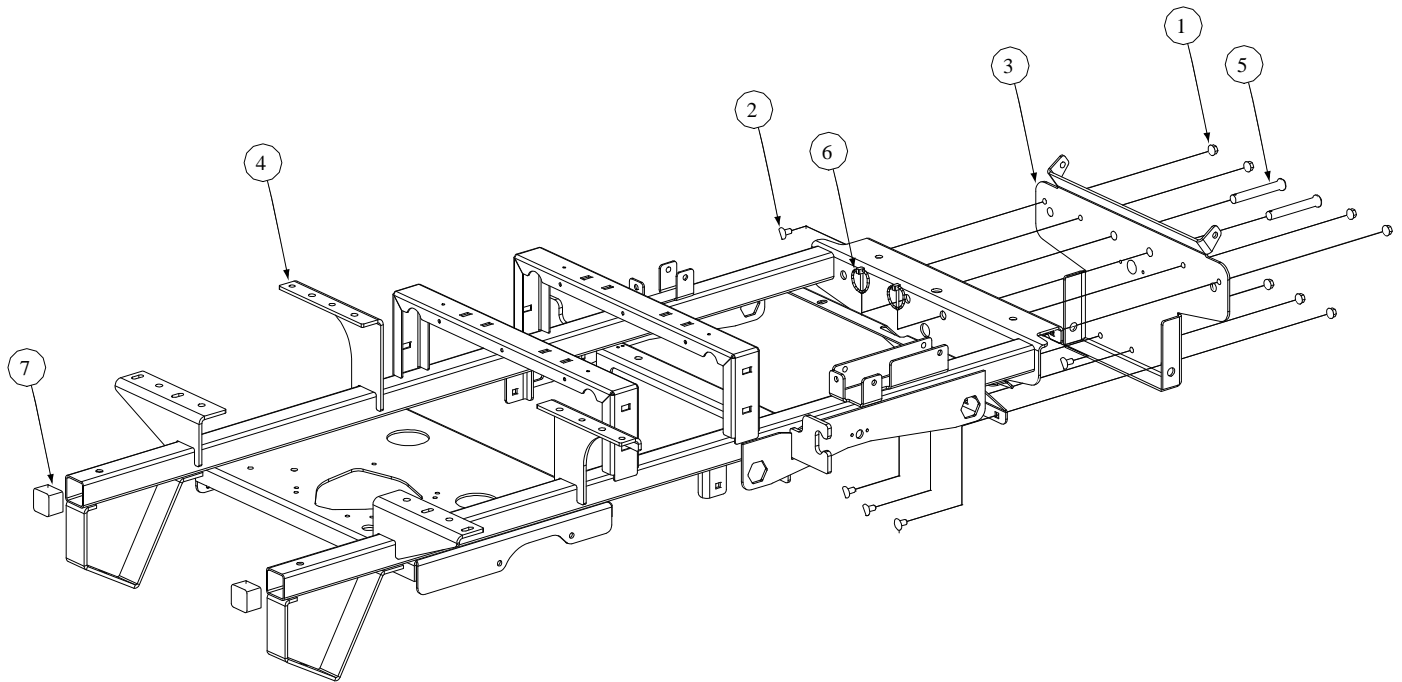
## Seat Assembly - Parts List for Figure 17

---

Ref. No.	Part No.	Description	Qty.
1	00022560	Nut, Hex 3/8-16 Flange Lock	2
2	--	--	--
3	01000635	Lock Nut, Hex Flange, 5/16-18	4
4	01002632	Adjustable Seat	1
5	01001629	Mounting Bracket, Seat	2
6	01002634	Shoulder Screw, .50x2.345, 3/8-16	2
7	01002753	Grommet, 2.5 OD x 1.0 Long	2
8	01003277	Seat Switch	1
9	01000628	Screw, TT, 1/4-20, .500, Hex	2

# Frame Assembly- Figure 18

---

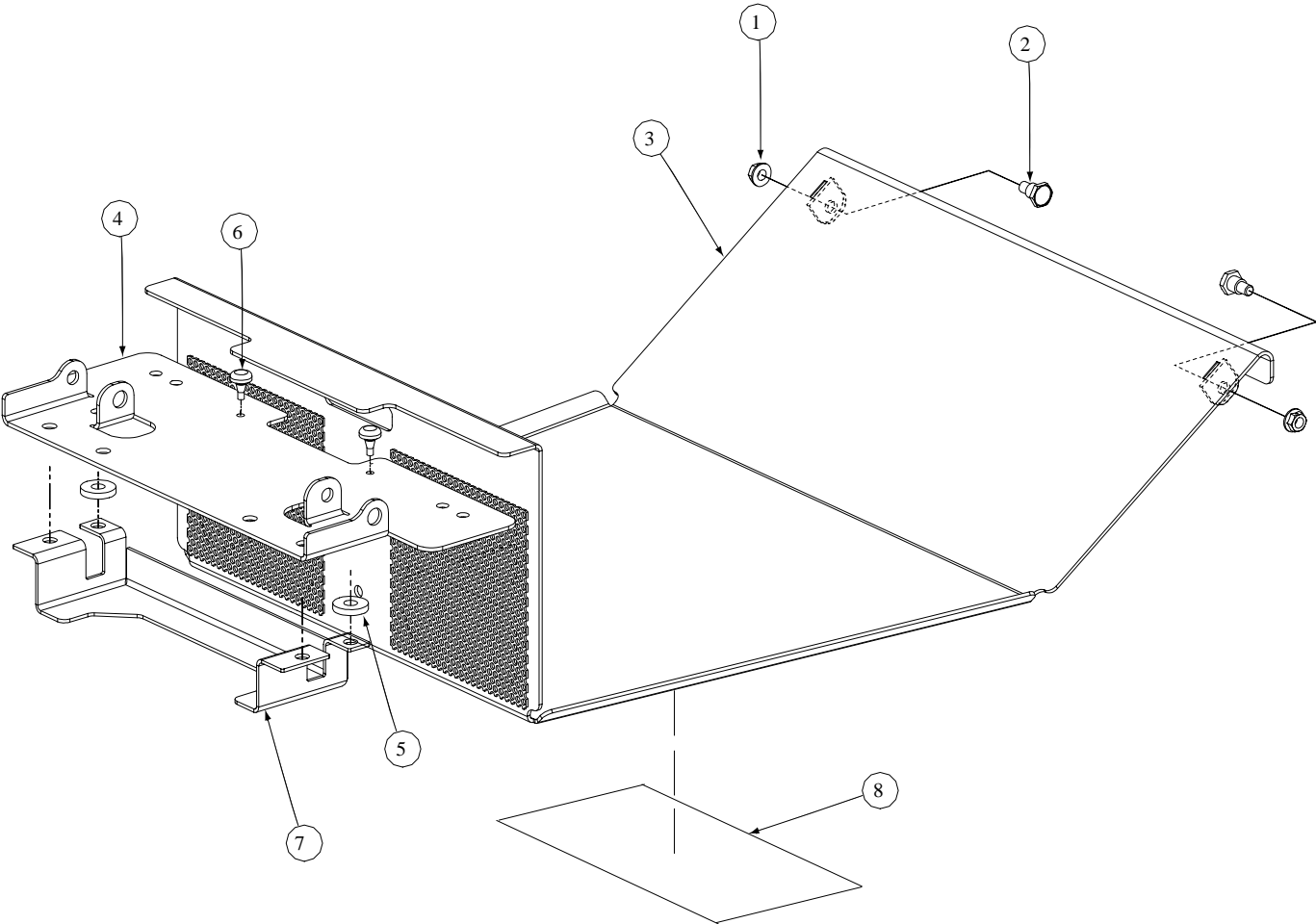


## Frame Assembly - Parts List for Figure 18

---

Ref. No.	Part No.	Description	Qty.
1	00022560	Hex Nut, 3/8-16 Flange Lock	7
2	01000372	Carriage Bolt, 3/8-16 x .75 Long	7
3	01001712	Bracket Assembly, Frame, Front	1
4	01001616	Frame Assembly	1
5	01003282	Clevis Pin, .500 Dia x 4.375 Long	2
6	01003993	Linch Pin, 3/16 Dia.	2
7	01005160	Plug, Square Tube	2

# Floor Panel Assembly- Figure 19



## Floor Panel Assembly - Parts List for Figure 19

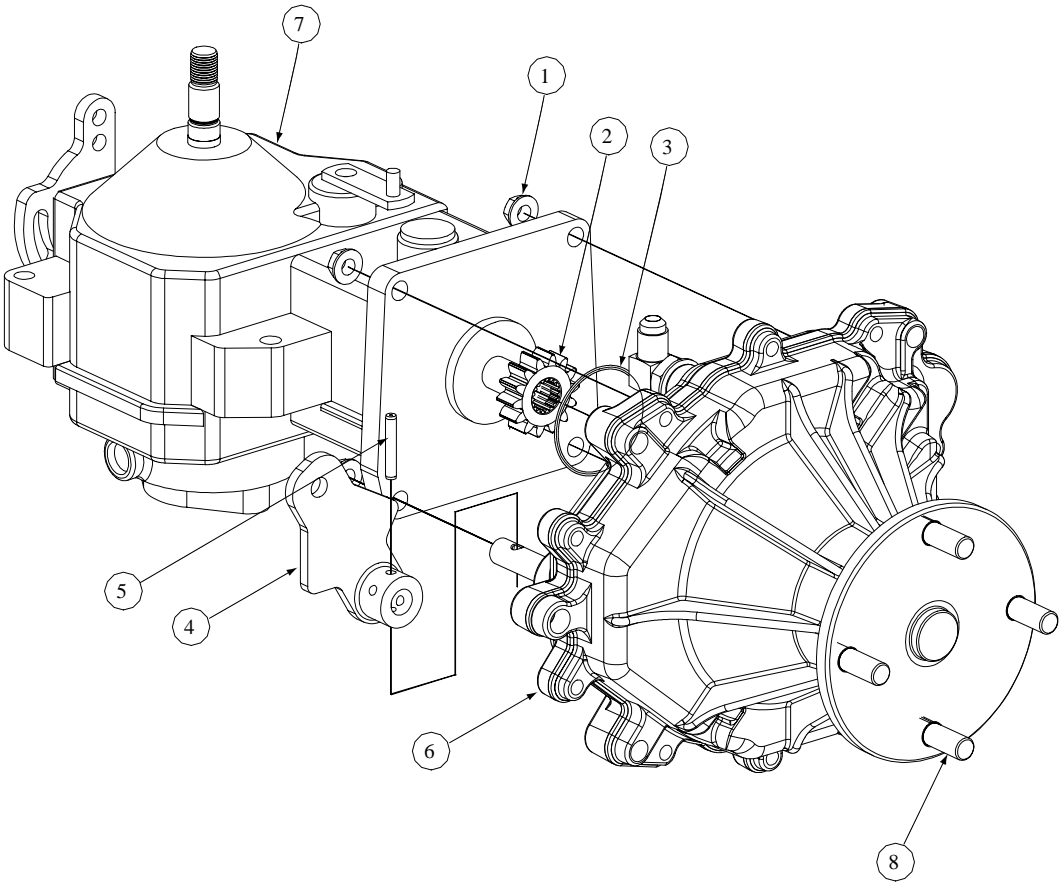
---

Ref. No.	Part No.	Description	Qty.
1	01000635	Lock Nut, Hex Flange 5/16-18	2
2	01000962	Shoulder Screw, .435 x .350, 5/16-18	2
3	01005458	Floor Assembly Panel	1
4	01001637	Panel Seat	1
5	00083192	Washer	2
6	01001170	Rubber Bumper, .62 OD x .22 Thick	2
7	01004725	Support, Seat Bracket	1
8	01004992	Label, Belt Routing and Lubrication	1

**New Item**

# Assembly Pump Right Hand- Figure 20

---





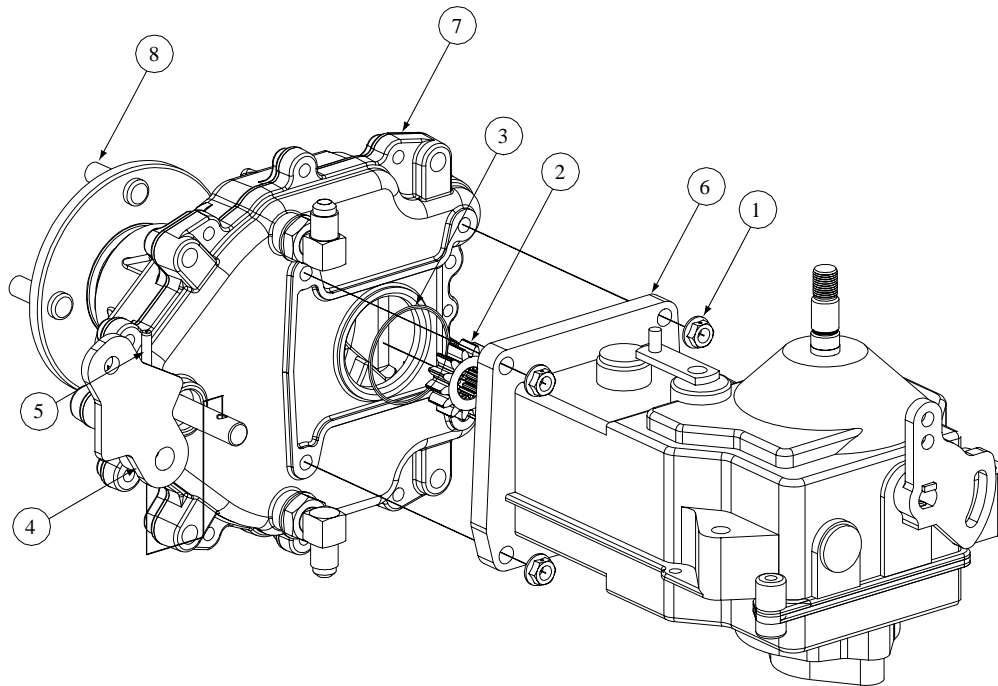
## Assembly Pump Right Hand - Parts List for Figure 20

---

<b>Ref. No.</b>	<b>Part No.</b>	<b>Description</b>	<b>Qty.</b>
1	01000635	Hex Flange, Lock Nut, 5/16-18	4
2	01001807	Gear, Spur, 14T	1
3	01001808	O-Ring, 2.00 x .070	1
4	01001809	Lever, Bracket, Park	1
5	01001995	Pin, Spirol, 3/16 x 1.25 HD	1
6	01002604	Transmission Assembly	1
	01004498	Transmission Includes: Rib Neck Stud	4
7	01004296	Pump	1

# Assembly Pump Left Hand- Figure 21

---



## Assembly Pump Left Hand - Parts List for Figure 21

---

<b>Ref. No.</b>	<b>Part No.</b>	<b>Description</b>	<b>Qty.</b>
1	01000635	Lock Nut, Hex Flange 5/16-18	4
2	01001807	Gear, Spur, 14T	1
3	01001808	O-Ring, 2.00 x .070	1
4	01001809	Lever, Brake, Park	1
5	01001995	Pin, Spirol, 3/16 x 1.25 HD	1
6	01001545	Pump, Hydro	1
7	01002604	Transmission Assembly	1
	01004498	Transmission Includes: Rib Neck Stud	4

**MTD PRO** 

MTD Pro  
P.O. Box 361131  
Cleveland, Ohio 44136