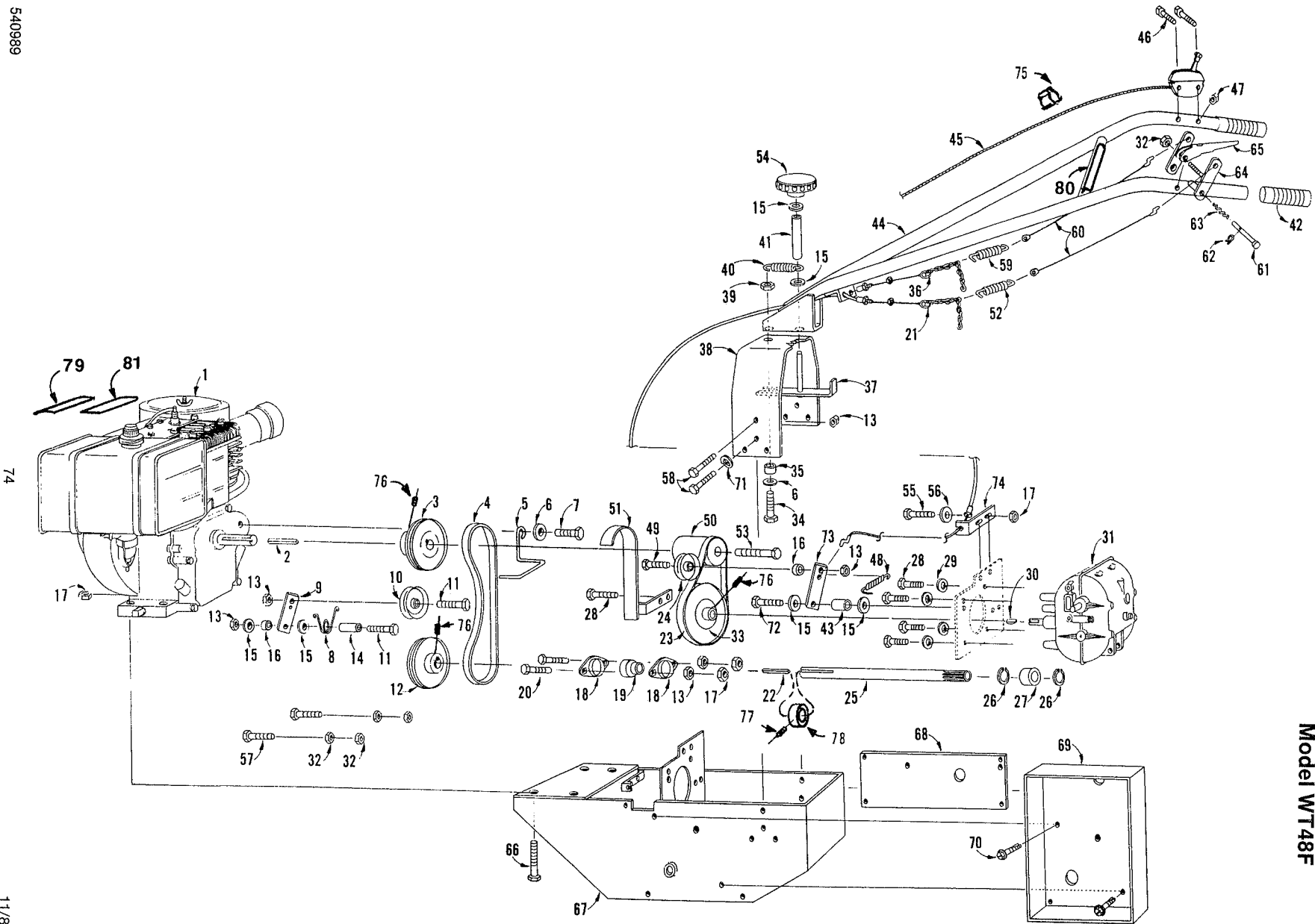


# Engine and Frame Assembly

8 HP Counter Rotating  
Rear Tine Tiller  
Model WT48F



540989

74

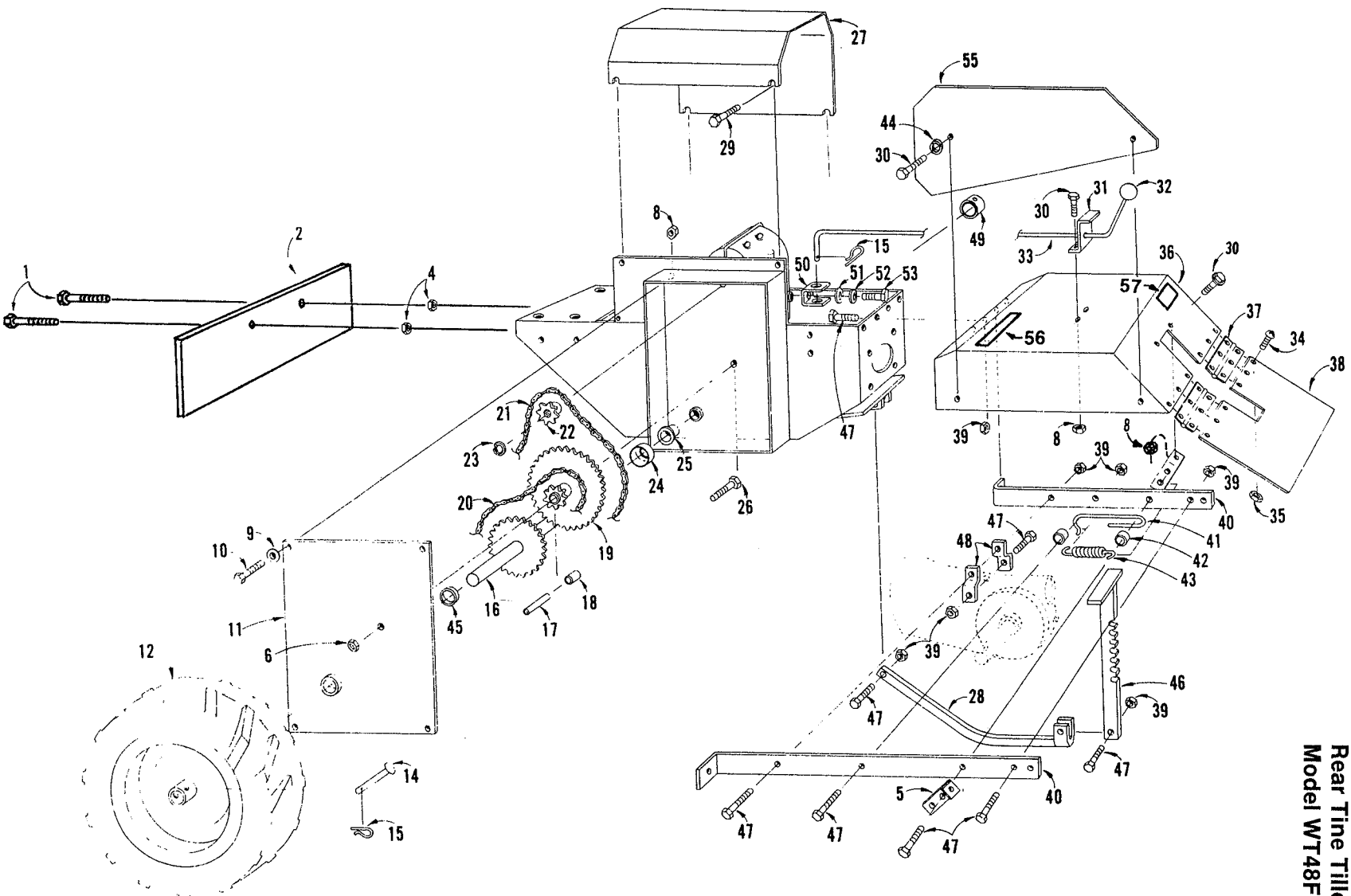
11/87

**8 HP Counter Rotating  
Rear Tine Tiller  
Model WT48F**

KEY NO.	PART NO.	DESCRIPTION	KEY NO.	PART NO.	DESCRIPTION
1.		Engine Briggs 8 HP (See Briggs Dlr.)	40.	620203	Spring-Pull Bar
2.	616284	Key .250 Square	41.	620187	Spacer-Pull Bar Lock
3.	617639	Pulley	42.	619221	Grip-Handle Bar
4.	623868	Belt-Tine Drive	43.	617878	Spacer-Idler
5.	619866	Belt Keeper	44.	573774	Handle Bar Weldment
6.	151241	Washer - .500 Nom.	45.	530196	Throttle Control
7.	615948	Bolt	46.	616052	Screw 10-24 x 2.00
8.	623967	Spring-Idler Return	47.	616615	Nut 10-24 Centerlock
9.	571315	Idler Arm	48.	622837	Spring-Idler Return
10.	170621	Idler Pulley	49.	312322	Bolt .375-16 x 1.75
11.	312272	Bolt .375-16 x 2.00	50.	621250	Pulley-Wheel Drive
12.	616870	Pulley	51.	571877	Belt Keeper
13.	624908	Nut .375-16 (Spacer)	52.	620831	Spring-Tine Drive
14.	623918	Spacer .75 O.D. x 1.00 LG	53.	615963	Bolt .437-20 x 2.00
15.	616854	Flat Washer	54.	620195	Knob-Handle Lock
16.	617886	Bushing-Idler Arm	55.	312066	Bolt .312-18 x .75
17.	616342	Nut .312-18 Centerlock	56.	615708	Flat Washer .312 Nom.
18.	617811	Flange-Bearing	57.	615807	Bolt .250-20 x 3.00
19.	617795	Bearing Assembly	58.	615591	Bolt .375-16 x 1.00
20.	615831	Bolt .312-18 x 1.25	59.	616862	Spring-Wheel Drive
21.	621284	Cable Assembly-Tine Drive	60.	621276	Cable-Clutch
22.	616276	Key .187 SQ	61.	621235	Pin-Clutch Engage
23.	621607	Belt-Wheel Drive	62.	617126	Pin-Hair
24.	170530	Idler Pulley	63.	616243	Spring
25.	621581	Main Shaft	64.	555441	Clutch Lever-Tine
26.	616268	Snap Ring	65.	555433	Clutch Lever-Wheel
27.	620112	Splined Coupling	66.	460311	Bolt .312-18 x 1.75
28.	312066	Bolt .312-18 x .75	67.	572941	Chassis Weldment
29.	311118	Lockwasher .312 Nom.	68.	590513	Chain Cover-Inside
30.	615534	Woodruff Key	69.	573717	Chain Case
31.	619965	Transmission Assembly	70.	617514	Screw-Self Tap
32.	616375	Nut .250-20 Centerlock	71.	615666	Lockwasher .375 Nom.
33.	620104	Pulley-Wheel Transmission	72.	312272	Bolt .375-16 x 1.50
34.	615922	Bolt .500-13 x 1.75	73.	571448	Idler Arm
35.	617787	Spacer .750 O.D.	74.	571869	Cable Holder
36.	621649	Cable Assem. Wheel Dr.	75.	621003	Clip - Cable
37.	555615	Pull Bar Weldment	76.	156208	Set Screw 5/16" x 1/4"
38.	574517	Saddle-Handle Mount	77.	615484	Set Screw 1/4"
39.	616581	Nut .500-13 Centerlock	78.	623892	Collar Shaft Retaining
			79.	551713	Decal-Free Hand Placement
			80.	551671	Decal-Control
			81.	551846	Decal-Caution Disengage

# Engine and Frame Assembly

8 HP Counter Rotating  
Rear Tine Tiller  
Model WT48F

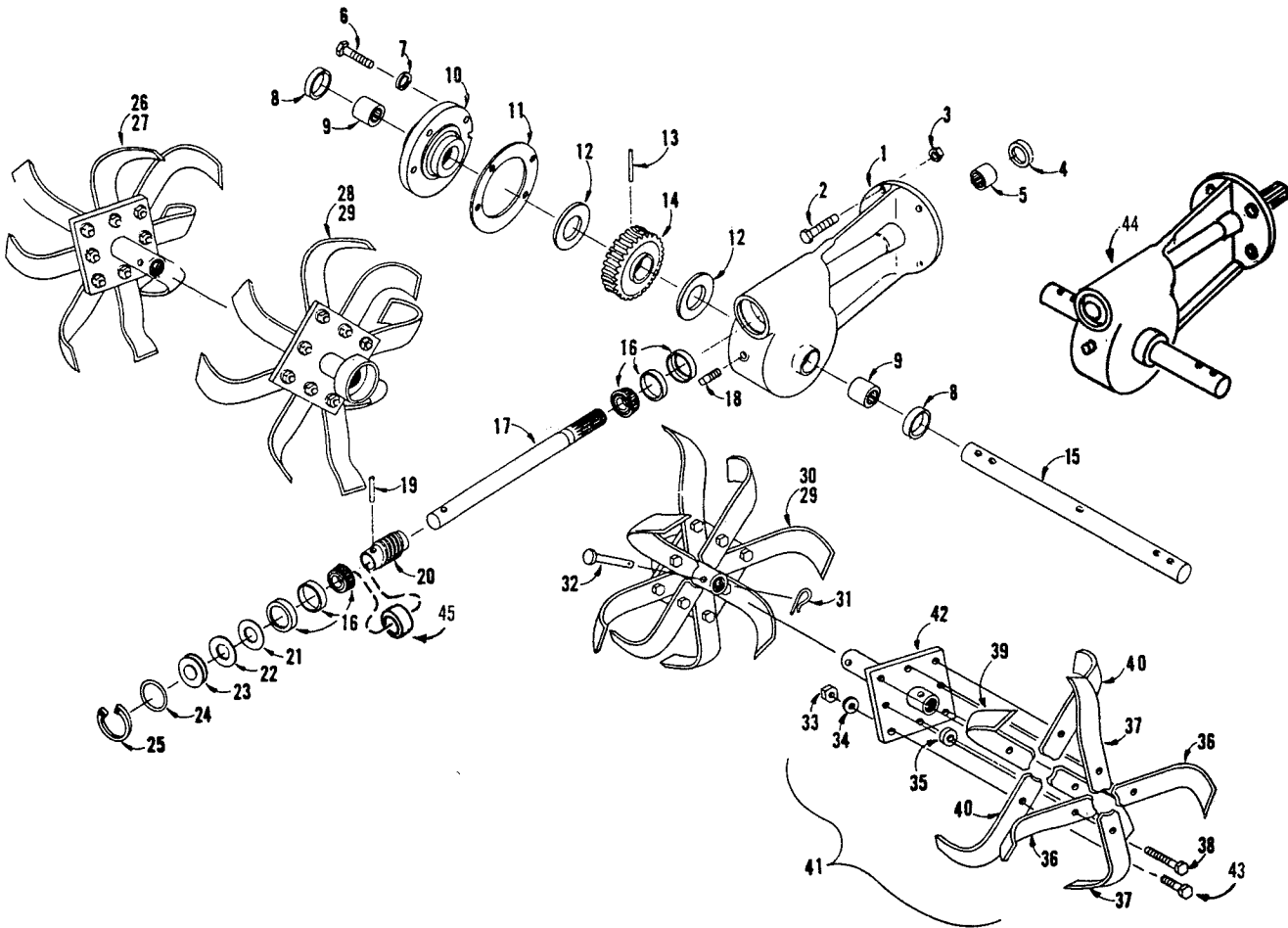


**8 HP Counter Rotating  
Rear Tine Tiller  
Model WT48F**

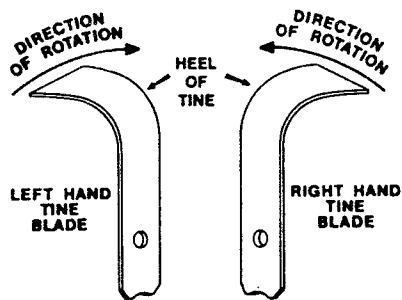
KEY NO.	PART NO.	DESCRIPTION	KEY NO.	PART NO.	DESCRIPTION
1.	615930	Bolt .500-13 x 4.00	29.	617514	Self Tap Screw .312-18 x .50
2.	571786	Weight-Plates (12) Required	30.	449587	Bolt .250-20 x .62
4.	616581	Nut .500-13 Center Lock	31.	571828	Bracket - Shift Lever
5.	571414	Bracket-Dirt Shield	32.	616359	Knob - Shift Lever
6.	715524	Nut .375-16	33.	571836	Shift Lever
8.	616375	Nut .250-20 Center Lock	34.	616177	Screw No. 10-24 x .50
9.	615690	Flat Washer	35.	616615	Nut No. 10-24 Center Lock
10.	615799	Bolt .250-20 x 2.75	36.	573758	Dirt Shield Weldment
11.	573725	Chain Cover Assembly	37.	620286	Hinge
12.	619957	Wheel L.H.	38.	574277	Flap - Dirt Shield
13.	619940	Wheel R.H. (Not Shown)	39.	616342	Nut .312-18 Center Lock
14.	616532	Clevis Pin	40.	571372	Support Bar
15.	616227	Hair Pin	41.	620310	Pusher - Depth Bar
16.	620039	Axle Weldment	42.	310003	Spacer
17.	618025	Spindle	43.	623058	Spring
18.	617233	Bearing - Needle	44.	715094	Lockwasher
19.	620013	Sprocket Weldment	45.	616565	Seal - Axle
20.	619999	Chain No. 40	46.	571935	Depth Bar
21.	619981	Chain No. 41	47.	615831	Bolt .312-18 x 1.25
22.	620021	Sprocket - Transmission	48.	571323	Brace - Transmission
23.	620807	Snap Ring	49.	620062	Collar - Axle
24.	618066	Spacer - Cup	50.	571307	'U' Bracket - Shifter
25.	617589	Bushing - Oilite	51.	151241	Flat Washer .500 Nom.
26.	456780	Bolt .375-16 x 2.50	52.	615690	Flat Washer .250 Nom.
27.	573733	Sheave Cover	53.	616144	Bolt .250-28 x .50
28.	571679	Skid Bar Weldment	54.	573642	Side Plate R.H. (Not Shown)
			55.	573659	Side Plate L.H.
			56.	551648	Decal-Caution
			57.	551655	Decal-Warning

# Transmission & Tine Assemblies

8 HP Counter Rotating  
Rear Tine Tiller  
Model WT48F



To determine if a tine assembly is a R.H. or a L.H. assembly, hold the assembly in front of you with the transmission side of the tine assembly toward you. Rotate the tine assembly in the direction that it would rotate when digging. (Heel of blades entering ground first). L.H. tine assemblies turn clockwise. R.H. tine assemblies turn counterclockwise.



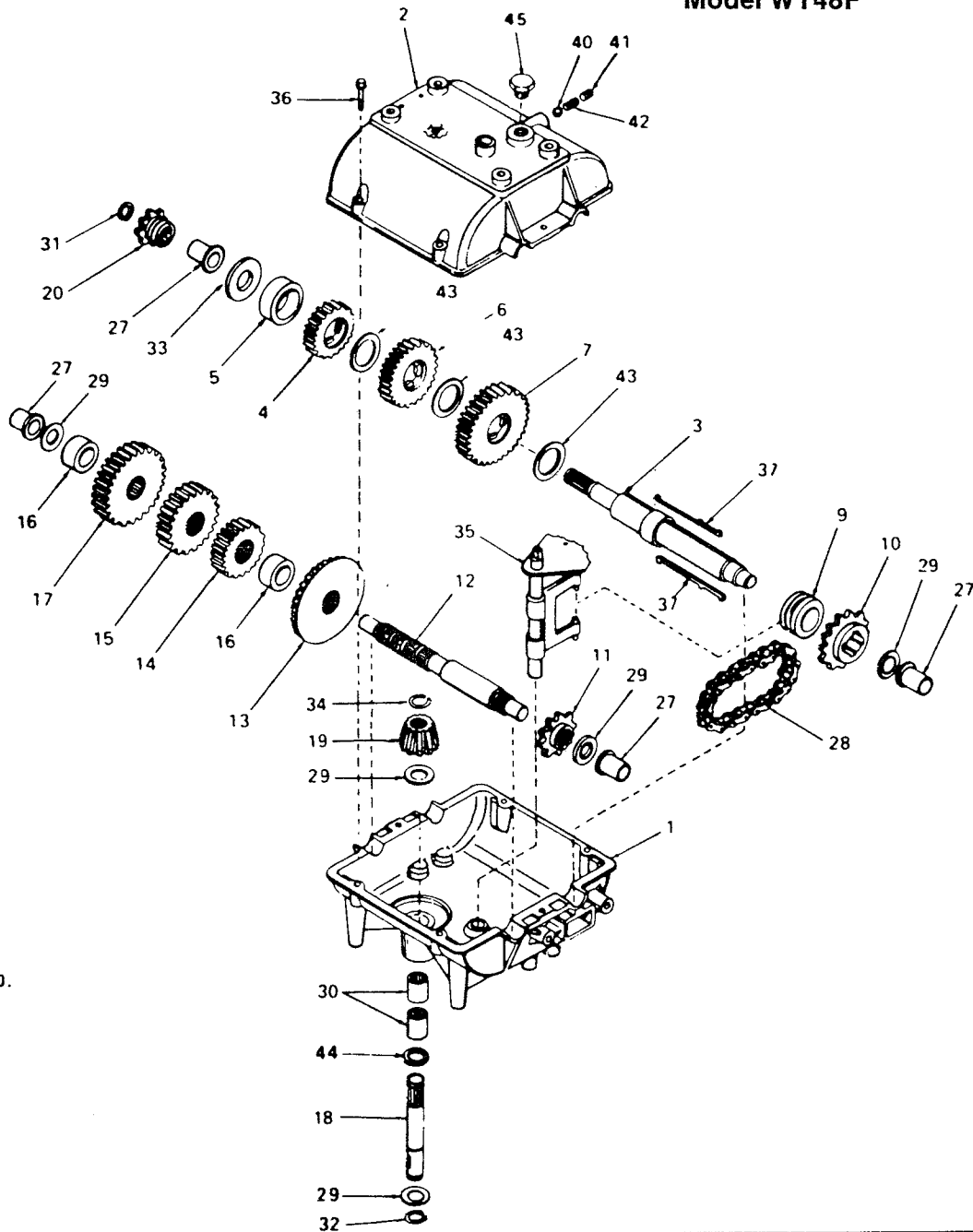
**8 HP Counter Rotating  
Rear Tine Tiller  
Model WT48F**

KEY NO.	PART NO.	DESCRIPTION	KEY NO.	PART NO.	DESCRIPTION
1.	519785	Trans. Cast. w/Brngs & Seals	24.	616441	'O' Ring
2.	457176	Bolt .375-16 x 1.25 Hex	25.	616425	Snap Ring
3.	624908	Nut .375-16 Center Lock	26.	571513	Tine Assembly R.H. Ext.
4.	616383	Oil Seal - Worm Shaft	27.	617746	Tube & Plate Wldm. R.H. Ext.
5.	616524	Bearing-Needle-Worm Shaft	28.	571505	Tine Ass'y. R.H. Basic
6.	617019	Bolt .312-18 x .88 Hex	29.	617720	Tube & Plate Weldment-Basic
7.	311118	Lockwasher .312 Nom.	30.	571299	Tine Assembly L.H. Basic
8.	616391	Oil Seal - Axle	31.	616227	Hair Pin
9.	617241	Bearing-Needle-Axle	32.	616532	Clevis Pin
10.	572784	Cover Plate w/Bearing & Seal	33.	615633	Nut .375-24 Hex
11.	617035	Gasket	34.	615666	Lockwasher .375 Nom.
12.	616417	Thrust Washer	35.	617787	Spacer
13.	616466	Drive-Lok Pin .375 x 2.00	36.	556217	Tine Blade L.H. Short
14.	624452	Worm Wheel	37.	556209	Tine Blade R.H. Short
15.	623744	Axle	38.	624957	Bolt .375-24 x 1.25 Hex
16.	545582	Tapered Bearing Assembly	39.	556233	Tine Blade L.H. Long
17.	624478	Worm Shaft	40.	556225	Tine Blade R.H. Long
18.	615500	Pipe Plug	41.	571521	Tine Assembly L.H. Ext.
19.	155515	Roll Pin .250 dia. x 1.12	42.	617738	Tube & Plate Weld. L.H. Ext.
20.	624429	Worm	43.	624940	Bolt 3/8 - 24x1 Gr. 5
21.	621334	SHIM .003 (As required)	44.	624494	Transmission Assembly
22.	621342	SHIM .005 (As required)	45.	623504	Collar
23.	616433	Seal Plug			

517037 SHIM KIT - Consists of (5) .005 thick shims and (1) .003 thick shim. End play in worm shaft to be shimmed to 0 to .005 clearance.

# Wheel Drive Transmission

8 HP Counter Rotating  
Rear Tine Tiller  
Model WT48F



PEERLESS GEAR  
Div. of  
Tecumseh Products Co.  
Model No. 760

## Parts List

Ref. No.	Part No.	Part Name	Ref. No.	Part No.	Part Name	Ref. No.	Part No.	Part Name
1	770061	Case, Transmission	14	778136	Gear, Spur (15 teeth)	32	792035	Ring, Retaining
2	772083	Cover, Transmission	15	778127A	Gear, Spur (25 teeth)	33	780109	Washer
3	776164	Shaft, Output	16	786071	Spacer	34	788040	Ring, Retaining
4	778122A	Gear, Spur (22 teeth)	17	778128A	Gear, Spur (28 teeth)	35	784270	Rod & Fork Assy, Shift
5	786072	Spacer	18	776135	Shaft, Input	36	792073	Screw, Hex hd taptite, 1/4-20 x 1-1/4
6	778123A	Gear, Spur (25 teeth)	19	778113A	Bevel Pinion, Input	37	792089A	Key
7	778125	Gear, Spur (35 teeth)	20	786047	Sprocket (8 teeth)	40	792077	Ball, Steel, 5/16"
9	784266	Collar, Shift	27	780105	Bushing, Flanged	41	792078	Screw, Set, 3/8-16 x 3/8
10	786083	Sprocket (18 teeth)	28	786081	Chain, Roller No 41 chain, 24 links	42	792079	Spring
11	786082	Sprocket (9 teeth)	29	780072	Race, Thrust	43	780108	Washer, Thrust
12	776134	Shaft, Counter	30	780086	Bearing, Needle	44	792001	"O" Ring
13	778137	Gear, Bevel (42 teeth)	31	792072	Ring, Retaining	45	792074	Plug

If you should require parts for this transmission, look in the Yellow Pages of your phone book under "Engines-Gasoline" for your nearest Tecumseh Dealer.

**ORDER BY PART NUMBER ONLY, NOT REFERENCE NUMBER**