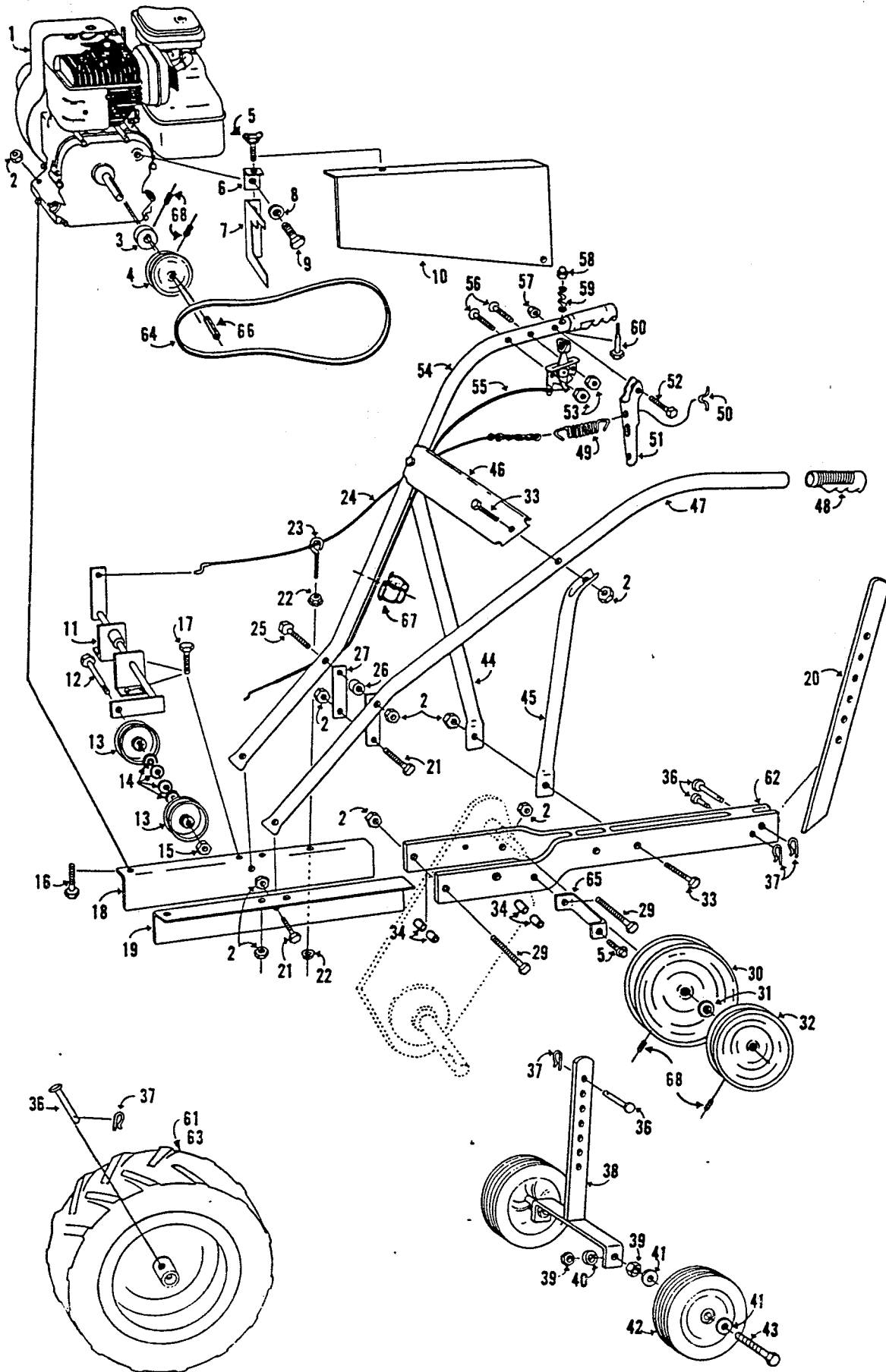
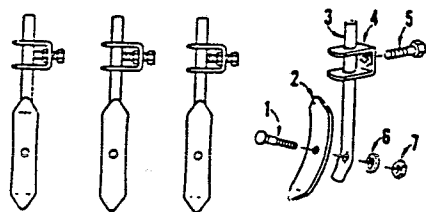


5HP Tractor/Tiller
WTV5



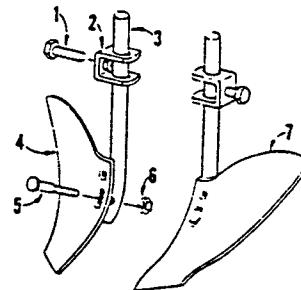
KEY NO.	PART NO.	DESCRIPTION	KEY NO.	PART NO.	DESCRIPTION
1.		Briggs & Stratton Mod. 130292	35.		NOT USED THIS MODEL
2.	616342	Hex Lock Nut .312-18	36.	616532	Clevis Pin
3.	618744	Pulley 2.00 Dia.	37.	616227	Hair Pin
4.	616870	Pulley 3.50 Dia.	38.	572529	Wheel Yoke Wldt.
5.	619841	Thumb Screw	39.	615625	Nut .500-13
6.	555599	Bracket-Sheave Cover	40.	615674	Lockwasher
7.	572792	Belt Keeper	41.	615724	Flat Washer .500 Nom.
8.	615674	Lockwasher	42.	622746	Wheel 10 inch
9.	615955	Hex Head Bolt	43.	506331	Bolt
10.	572859	Sheave Cover	44.	572420	Handle Bar Support R.H.
11.	572511	Idler Arm Weldment	45.	572412	Handle Bar Support L.H.
12.	615914	Hex Head Bolt .375-16 x 2.50	46.	572370	Tie Bar-Handle Bars
13.	170621	Idler Pulley	47.	572487	Handle Bar L.H.
14.	616854	Spacer Washer	48.	616748	Grip-Handle Bar
15.	624908	Hex Locknut .375-16	49.	616862	Spring-Clutch
16.	616102	Hex Head Bolt .312-18 x 1.50	50.	616201	Lever Link
17.	312066	Hex Head Bolt .312-18 x .75	51.	618652	Clutch Lever
18.	572818	Engine Mount R.H.	52.	615757	Hex Head Bolt .250-20 x 1.50
19.	572800	Engine Mount L.H.	53.	616615	Hex Nut No. 10-24
20.	572842	Stake	54.	572404	Handle Bar R.H.
21.	312058	Hex Head Bolt	55.	618827	Throttle Control and Cable
22.	616151	Hex Head Nut .250-20	56.	616045	Pan Head Screw No. 10-24 x 1.50
23.	618793	Cable Guide	57.	616375	Hex Locknut .250-20
24.	618835	Cable & Chain Assembly	58.	616235	Push Nut
25.	616136	Hex Head Bolt .312-18 x 3.25	59.	616243	Spring-Lever Lock
26.	617159	Spacer	60.	616607	Pin-Lock
27.	572388	Brace-Handle To Transmission	61.	618769	Wheel & Tire L.H.
28.		NOT USED THIS MODEL	62.	572826	Chassis Weldment
29.	616078	Hex Head Bolt .312-18 x 3.50	63.	618777	Wheel & Tire R.H. (Not shown)
30.	618728	Pulley	64.	618819	Belt
31.	617787	Spacer	65.	572834	Lower Bracket-Sheave Cover
32.	618736	Pulley	66.	616839	Key 3/16" Square
33.	615864	Hex Head Bolt .312-18 x 1.75	67.	616219	Cable Clip
34.	618785	Spacer 1.00 Long Nom.	68.	615492	Set Screw .312-18

FURROWER ATTACHMENT

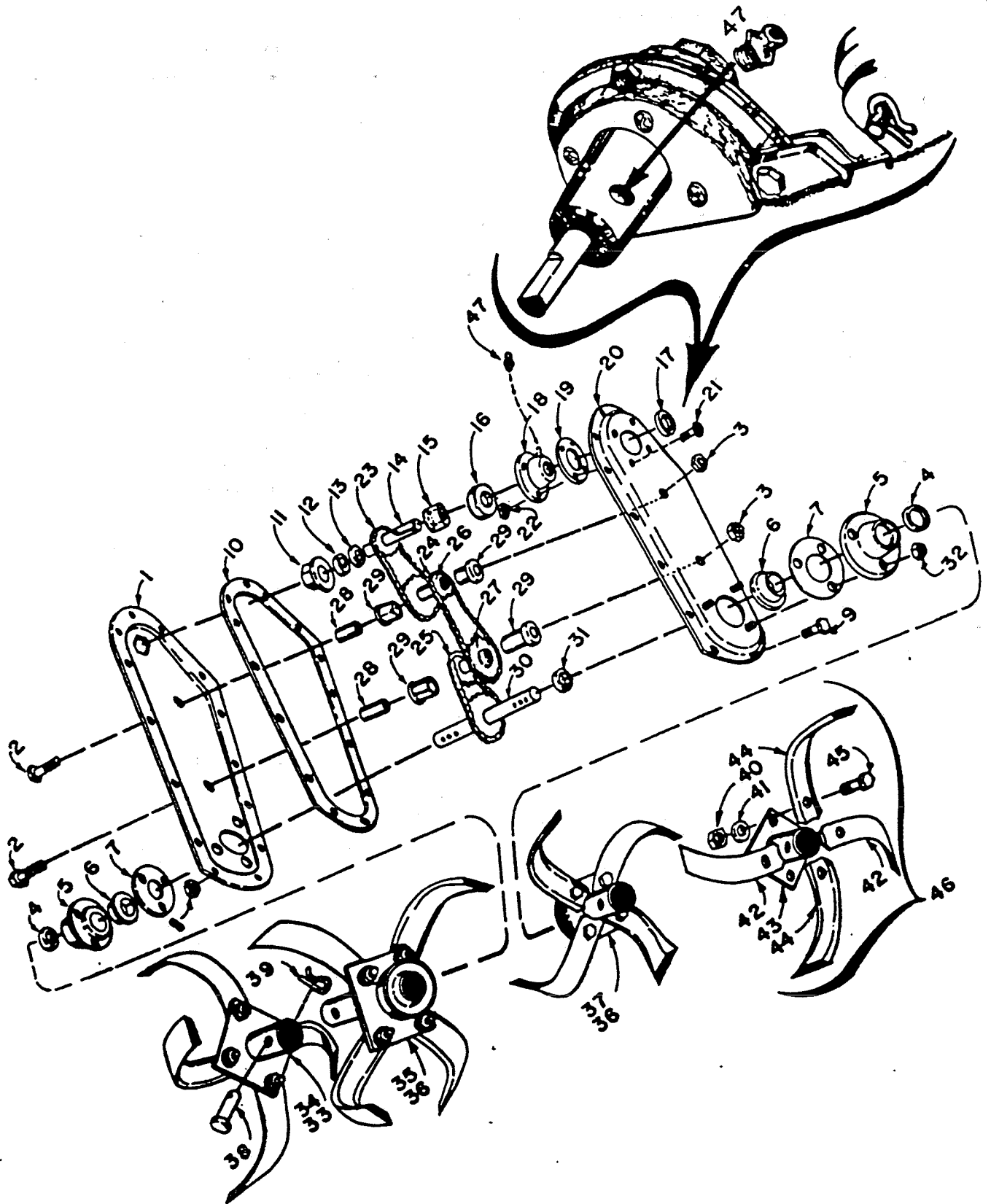


KEY NO.	PART NO.	DESCRIPTION
1	619643	Furrower WLDT
2	615740	Bolt .375-16 x 1.50
3	616854	Flat Washer
4	615666	Lockwasher
5	615641	Nut .375-16

VEE BAR ATTACHMENT



KEY NO.	PART NO.	DESCRIPTION
1	572933	Vee Bar
2	572925	Adaptor WLDT
3	624908	Locknut
4	616854	Flat Washer
5	615906	Bolt .375-16 x 2.00

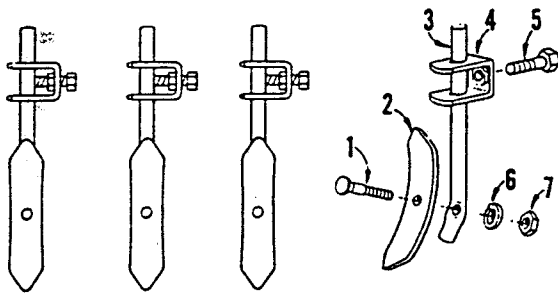


5HP Tractor/Tiller WTV5

KEY NO.	PART NO.	DESCRIPTION	KEY NO.	PART NO.	DESCRIPTION
1.	572867	R.H. Chain Case	24.	617910	Chain 40
2.	615003	*Hex Bolt	25.	617936	Chain 50
3.	624908	*Hex Nut .375-16	26.	618132	Sprocket Weldment
4.	616391	Hub Seal	27.	618124	Sprocket Weldment
5.	618371	Hub	28.	618025	Spindle
6.	617589	Bearing	29.	617597	Bushing
7.	618165	Gasket-Axle	30.	618116	Axle Weldment
8.	616151	*Hex Nut .250-20	31.	618066	Spacer
9.	615526	*Hex Bolt .250-20 x .625	32.	616342	*Hex Nut .312-18
10.	618231	Gasket-Transmission	33.	572917	R.H. Ext. Tine Assembly
11.	618488	Bearing Holder	34.	617373	R.H. Ext. Tube
12.	617225	Bearing	35.	572891	R.H. Basic Tine Assembly
13.	618058	Spacer-Input Shaft	36.	624353	Basic Tube Weldment
14.	618140	Input Shaft Weldment	37.	572883	L.H. Basic Tine Assembly
15.	618330	Spacer	38.	616532	Clevis Pin
16.	617233	Bearing	39.	616227	Hair Pin
17.	617258	Seal	40.	615633	*Hex Nut .375-24
18.	618520	Bearing Support	41.	615666	*Lockwasher .375
19.	617977	Gasket	42.	617209	R.H. Tine
20.	572875	L.H. Chain Case	43.	617365	L.H. Ext. Tube Weldment
21.	616177	*Screw No. 10-24 x .500	44.	617217	L.H. Tine
22.	616615	*Hex Nut No. 10	45.	624940	*Hex Bolt .375-24 x 1.00
23.	617944	Chain 41	46.	572909	L.H. Ext. Tine Assembly
			47.	624890	*Lubrication Fitting .250-28

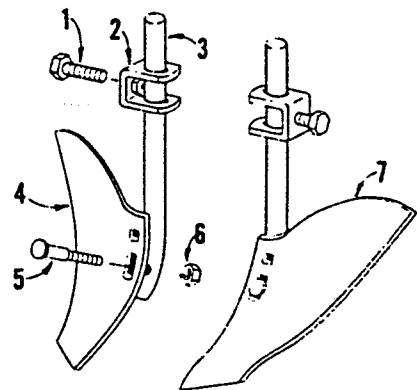
NOTE: Fill Transmission with EP-2 Grease

CULTIVATOR ATTACHMENT



KEY NO.	PART NO.	DESCRIPTION
1	615476	Plow Bolt
2	620906	Tooth Point
3	620914	Bar-Tooth Point
4	616318	Clip WLDT
5	615609	Bolt .500-20 x 1.50
6	615666	Lockwasher
7	615641	Nut

HILLER-FURROWER



KEY NO.	PART NO.	DESCRIPTION
1	615609	Bolt .500-20 x 1.50
2	616318	Clip WLDT
3	620914	Bar
4	619627	Turn Shovel R.H.
5	615476	Plow Bolt
6	624908	Locknut
7	619635	Turn Shovel L.H.