



PARTS CATALOGUE

ECHO CHAIN SAW CS-2900

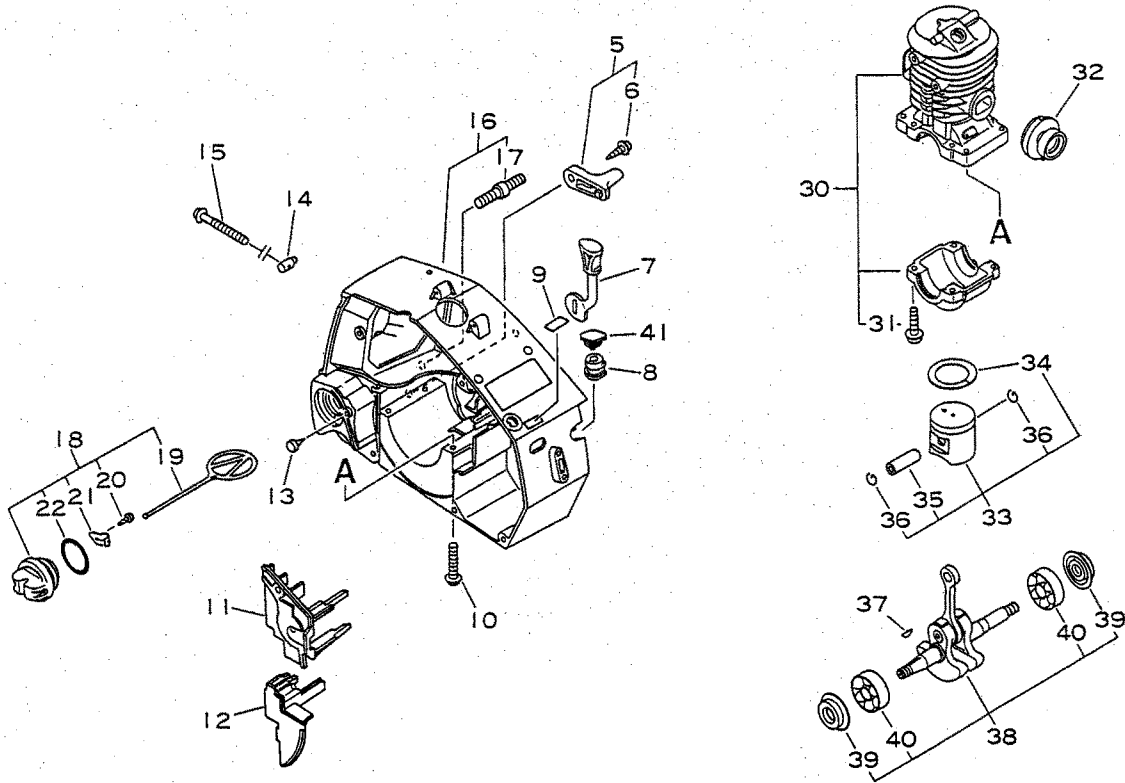
ECHO POWER EQUIPMENT(CANADA)

401 Consortium Court, London,
Ontario N6E 2S8



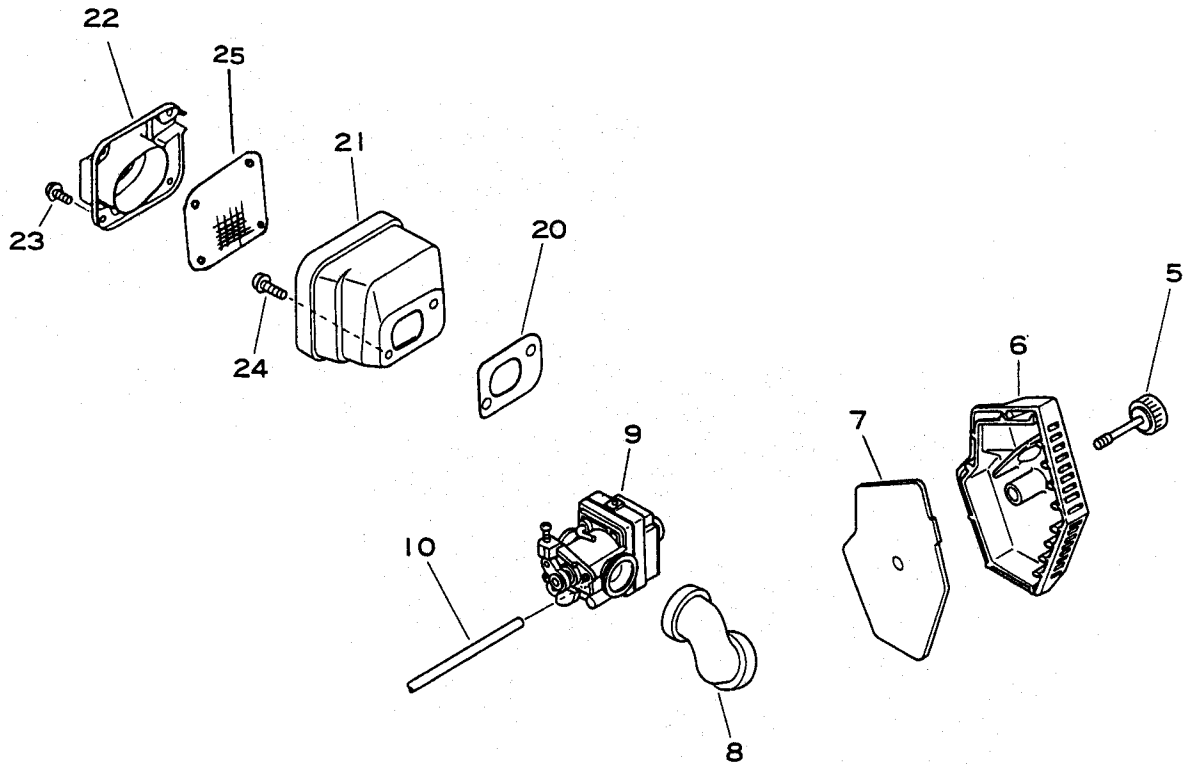
898 627-3693 1

Printed in Japan 9207AnKW

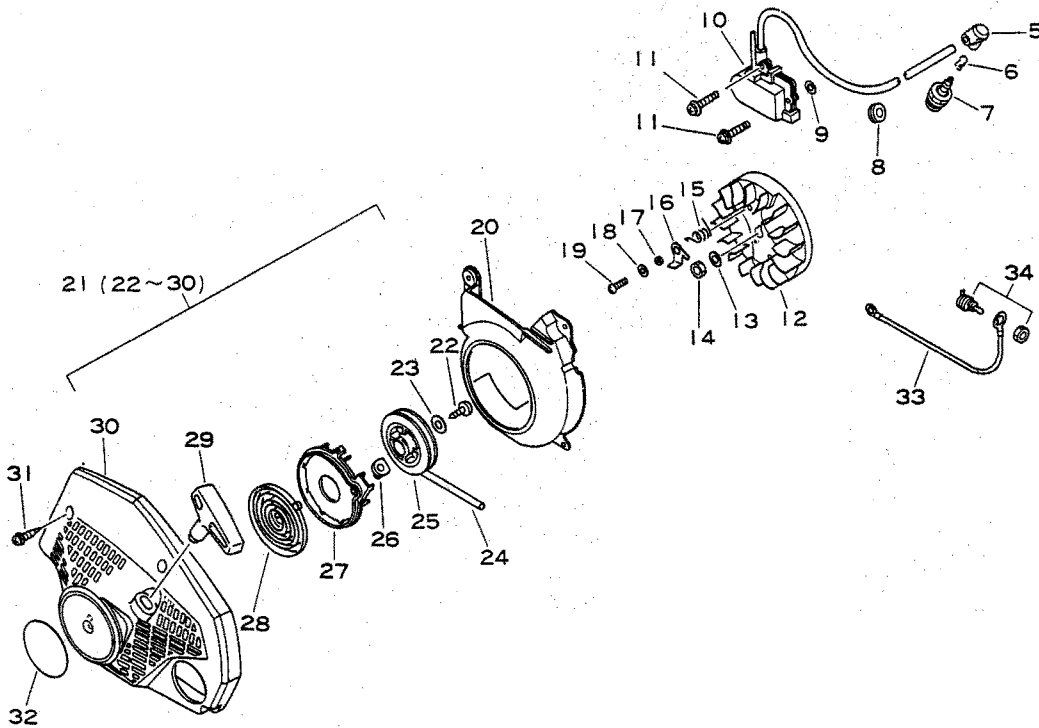


KEY LV	PART NUMBER	Q'TY	DESCRIPTION	APPLICATION	REMARKS	INF. NR
5	433000-37930	1	CATCHER KIT, CHAIN			
6	+ 900246-05020	1	SCREW 5*20			
7	178512-38730	1	ROD, CHOKE			
8	178810-35630	1	GROMMET, CHOKE			
10	900242-05030	4	SCREW 5*30			
11	104012-35630	1	COVER, DUST			
12	104016-35630	1	COVER, DUST			
13	436114-13930	1	VALVE, CHECK			
14	433014-03931	1	TENSIONER			
15	433016-35430	1	SCREW, TENSIONER			
16	104008-38730	1	COVER, ENGINE			
17	+ 433011-03931	2	STUD, GUIDE BAR			
18	436001-37932	1	CAP ASSY, OIL TANK			
19	+ 131051-19830	1	CLIP, FUEL CAP			
20	+ 900246-03008	1	SCREW 3* 8			
21	+ 131050-19830	1	RETAINER, LINK			
22	+ 900725-02025	1	O-RING 2025			
30	100202-35630	1	CRANKCASE SET			
31	+ 900242-05020	4	SCREW 5*20			
32	130510-35630	1	ADAPTER, INTAKE			
33	100000-35730	1	PISTON KIT			
34	+ 100011-16131	1	RING, PISTON			
35	+ 100013-35630	1	PIN, PISTON			
36	+ 100015-04630	2	CIRCLIP, PISTON PIN			
37	100142-42030	1	KEY, WOODRUFF			
38	100101-35730	1	CRANKSHAFT ASSY			
39	+ 100212-35630	2	OILSEAL			
40	+ 900800-36001	2	BEARING, BALL 6001			
41	104034-38730	1	GROMMET			
9	890342-35830	1	LABEL, CHOKE			

CS-2900 2

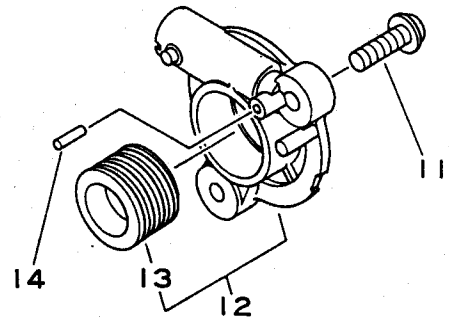
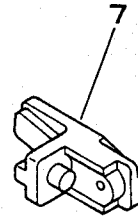
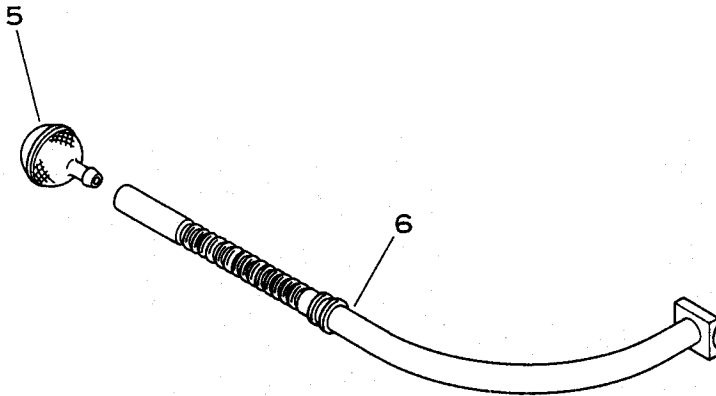


KEY	LV	PART NUMBER	Q'TY	DESCRIPTION	APPLICATION	REMARKS	INF. NR
5		130302-38730	1	COVER ASSY, AIR CLN.			
6	+	130411-35630	1	SCREW			
7		130310-35630	1	FILTER, AIR			
8		130518-35630	1	ADAPTER, INTAKE			
9		123000-35830	1	CARBURETOR WYP-4A			
10		132016-04320	1	PIPE 3*6*115			
20		145510-35631	1	GASKET, MUFFLER			
		145800-36930	1	MUFFLER ASSY			
21	+	145810-36930	1	MUEFLER			
22	+	145861-36930	1	LID, MUFFLER			
25	+	145862-36930	1	SCREEN, MUFFLER			
23	+	900238-04010	4	SCREW 4*10			
24	+	900242-05020	2	SCREW 5*20			

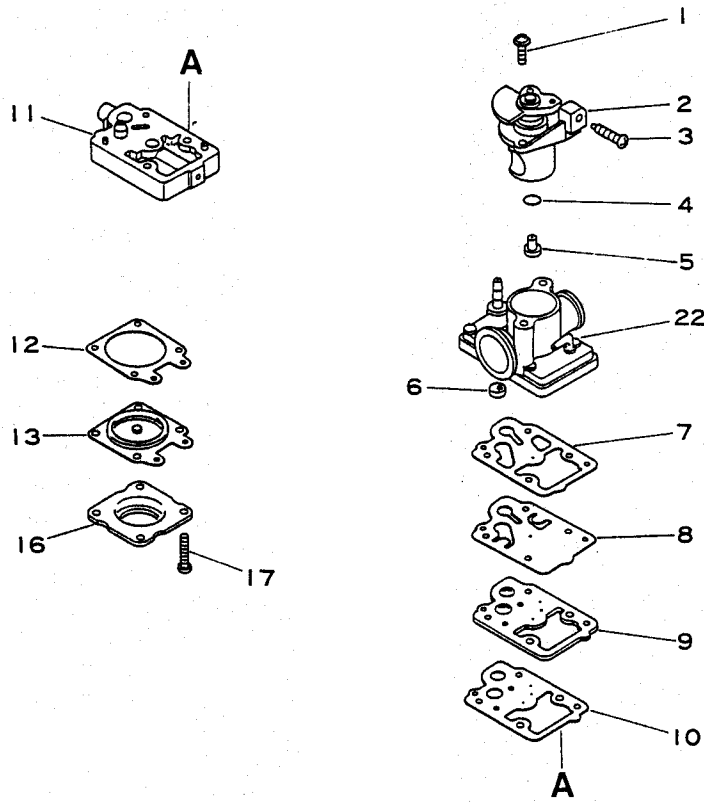


KEY LV	PART NUMBER	Q'TY	DESCRIPTION	APPLICATION	REMARKS	INF. NR
5	159012-01620	1	CAP, SPARK PLUG			
6	159011-03432	1	COIL, SPARK PLUG CAP			
7	159010-10230	1	PLUG, SPARK BPMR-7A			
8	150112-00310	1	GROMMET			
9	152117-05530	2	SPACER			
10	158601-35631	1	COIL, IGNITION			
11	900242-05020	2	SCREW 5*20			
12	158800-35630	1	FLYWHEEL			
13	900600-00008	1	WASHER 8			
14	900500-00008	1	NUT 8			
15	177234-35430	2	SPRING, RETURN			
16	177218-35630	2	PAWL, STARTER			
17	177247-04630	2	SPACER, RATCHET			
18	900603-00005	2	WASHER 5			
19	900216-05012	2	SCREW 5*12			
20	101535-38730	1	COVER, FAN			
21	177200-38730	1	STARTER ASSY			
22	+ 900246-05014	1	SCREW 5*14			
23	+ 177214-04630	1	WASHER			
24	+ 177226-06530	1	ROPE, STARTER			
25	+ 177215-35630	1	DRUM, STARTER			
26	+ 177227-35630	1	GUIDE, ROPE			
27	+ 177221-35630	1	PLATE, STARTER			
28	+ 177220-35430	1	SPRING, REWIND			
29	+ 177228-35430	1	GRIP, STARTER			
30	+ 177232-38730	1	CASE, STARTER			
31	900246-05020	4	SCREW 5*20			
32	890112-35430	1	LABEL, ECHO			
33	162010-03360	1	LEAD			
34	163400-32430	1	SWITCH, IGNITION			

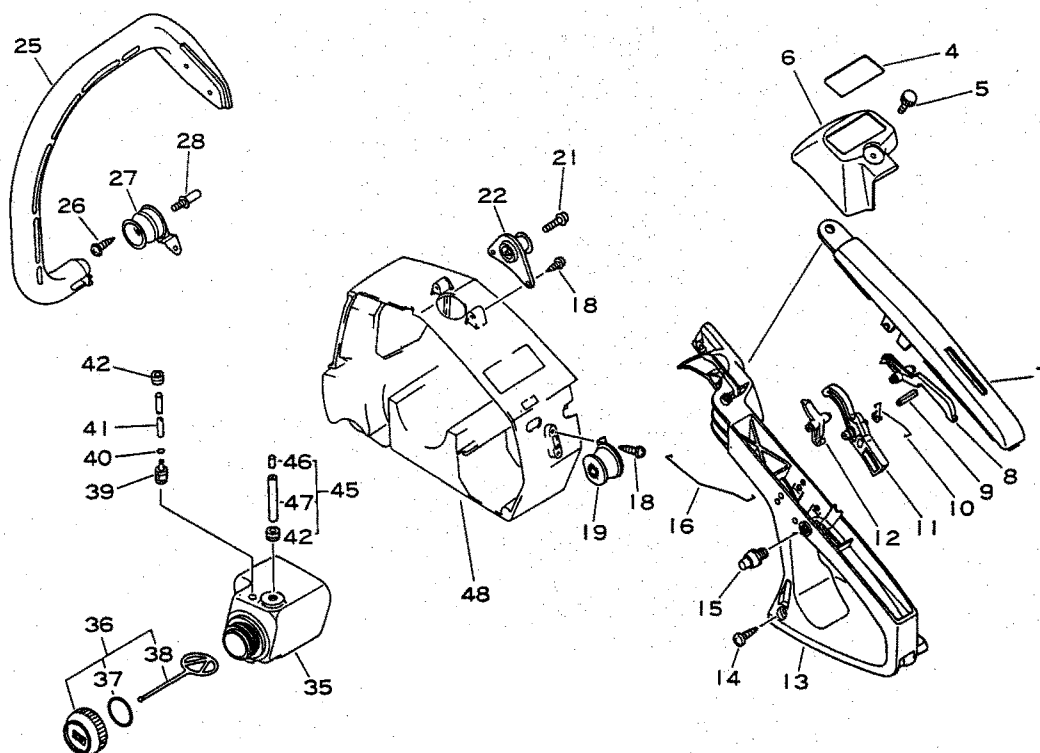
CS-2900 4



KEY LV	PART NUMBER	Q'TY	DESCRIPTION	APPLICATION	REMARKS	INF. NR
5	436205-14730	1	STRAINER, OIL			
6	437210-35630	1	PIPE, OIL	3*150		
7	437211-35630	1	PIPE, OIL			
11	900242-04014	2	SCREW 4*14			
12	437000-35830	1	AUTO-OILER ASSEMBLY			
13	+ 437063-35630	1	GEAR, WORM			

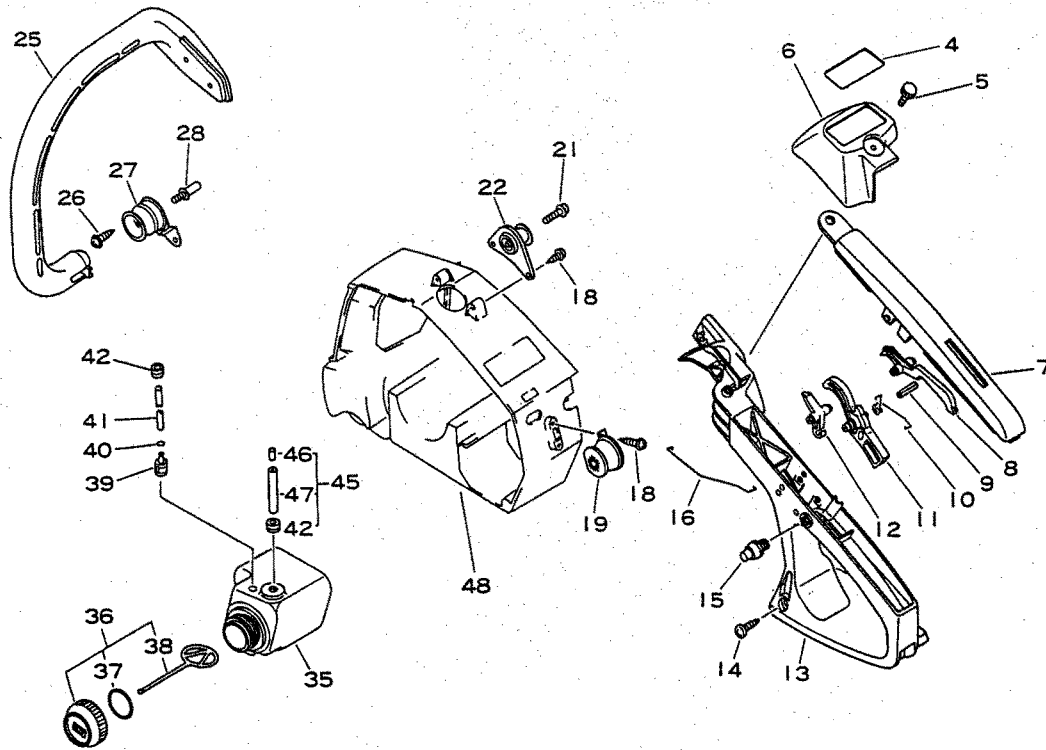


KEY LV	PART NUMBER	Q'TY	DESCRIPTION	APPLICATION	REMARKS	INF. NR
	123000-35830	1	CARBURETOR WYP-4A			
1	+ 123114-44330	2	SCREW			
2	+ 123116-35630	1	VALVE, THROTTLE			
3	+ 123134-40030	1	SCREW, IDLE ADJUST			
4	+ 123183-40630	1	O-RING			
5	+ 123184-35630	1	JET #52			
6	+ 123126-10631	1	SCREEN, INLET			
7	+ 123125-35630	1	GASKET, FUEL PUMP			
8	+ 123112-35630	1	DIAPHRAGM, FUEL PUMP			
9	+ 123160-35630	1	PLATE, PUMP			
10	+ 123159-35630	1	GASKET, PLATE			
11	+ 123179-35830	1	BODY ASSEMBLY, PUMP			
12	+ 123140-03930	1	GASKET, M. DIAPHRAGM			
13	+ 123141-03930	1	DIAPHRAGM, METERING			
16	+ 123142-03930	1	COVER, M. DIAPHRAGM			
17	+ 123144-44330	4	SCREW			



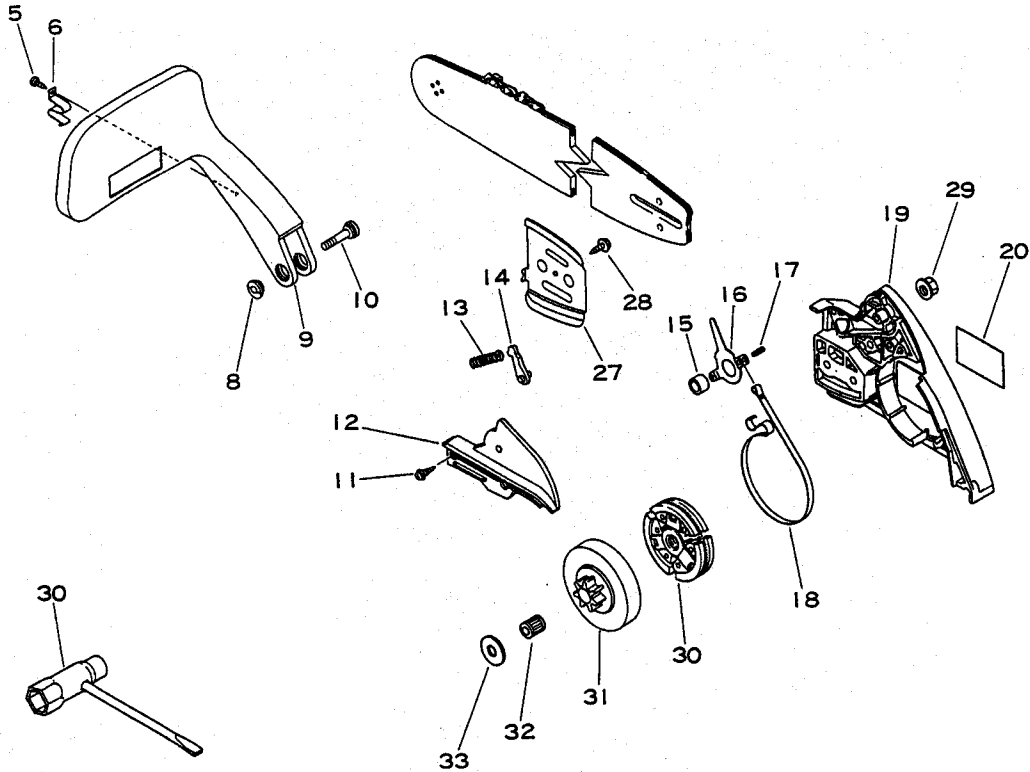
KEY LV	PART NUMBER	Q'TY	DESCRIPTION	APPLICATION	REMARKS	INF. NR
4	890370-36930	1	LABEL, MODEL			
5	130411-13830	1	SCREW			
6	351129-35730	1	COVER, HANDLE			
7	351155-35731	1	COVER, HANDLE			
8	178090-37930	1	LOCKOUT, T. CONTROL			
9	900345-40025	1	PIN, SPRING 4*25			
10	178013-35730	1	SPRING, THR. LOCK			
11	178010-38730	1	CONTROL, THROTTLE			
12	178017-35731	1	ARM, TRIGGER			
13	351110-35732	1	HANDLE			
14	900242-05014	1	SCREW 5*14			
15	178302-37930	1	LATCH, THROTTLE			
16	178046-35731	1	ROD, THROTTLE			
18	900246-04014	4	SCREW 4*14			
19	100905-35730	1	CUSHION			
21	900238-05020	1	SCREW 5*20			
22	100921-35631	1	CUSHION			
25	351640-35630	1	HANDLE, FRONT			
26	900242-05020	1	SCREW 5*20			
27	100910-35630	1	CUSHION			
28	100915-33930	1	SCREW			
35	131010-38730	1	TANK, FUEL			
36	131004-37930	1	CAP ASSY, FUEL TANK			
37	+ 900720-00022	1	O-RING 22			
38	+ 131051-19830	1	CLIP, FUEL CAP			
39	131205-14930	1	STRAINER, FUEL			
40	132013-26630	1	CLIP			
41	130110-14330	1	PIPE			
42	132115-01461	1	GROMMET, FUEL			
44	100223-07320	1	GROMMET, PLUG			

CS-2900 6



KEY LV	PART NUMBER	Q'TY	DESCRIPTION	APPLICATION	REMARKS	INF. NR
45	131300-35630	1	VENT ASSEMBLY, FUEL			
42	+ 132115-01461	1	GROMMET, FUEL			
46	+ 131314-35430	1	VALVE, CHECK			
47	+ 132010-02961	1	PIPE			
48	104008-38730	1	COVER, ENGINE			

CS-2900 7



KEY	LV	PART NUMBER	Q'TY	DESCRIPTION	APPLICATION	REMARKS	INF. NR
5		900246-04010	1	SCREW 4#10			
6		433114-35830	1	SPRING, RETURN			
8		433137-30130	1	NUT			
9		433105-35831	1	LEVER, BRAKE			
10		433113-30130	1	SCREW			
11		900246-04014	2	SCREW 4#14			
12		433310-38730	1	COVER			
13		433122-35430	1	SPRING, BRAKE			
14		433209-35430	1	STOPPER, BRAKE			
15		433116-35430	1	SPACER 8			
16		433208-35430	1	LEVER, BRAKE			
17		900340-40008	1	PIN, SPRING 4#8			
18		433123-35830	1	BAND, BRAKE			
19		433005-38730	1	GUARD, SPROCKET			
20		890118-35630	1	LABEL, ECHO			
27		433013-35630	1	PLATE, GUIDE (INNER)			
28		900246-04010	1	SCREW 4#10			
29		433019-03933	2	NUT, FLANGE 6			
30		175000-35630	1	CLUTCH ASSEMBLY			
31		175005-35630	1	DRUM, CLUTCH			
32		175012-35630	1	BEARING, NEEDLE			
33		175015-35630	1	PLATE, CLUTCH			
40		895410-03930	1	WRENCH, W/S-DRIVER			