



AVAILABLE ATTACHMENTS & ACCESSORIES

Accessories

103942147 CS Carry Bag

Guide Bars

12A4CD3745 Guide Bar - 12" -- Narrow

14A4CD3752 Guide Bar - 14" -- Narrow

Sawing Chains

90SG45G Chain - 12"

90SG52G Chain - 14"

PARTS CATALOG
CS-306 CHAIN SAW

30.1cc

MODEL: SERIAL NUMBERS

CS-306: S/N: 02001001 - 02999999

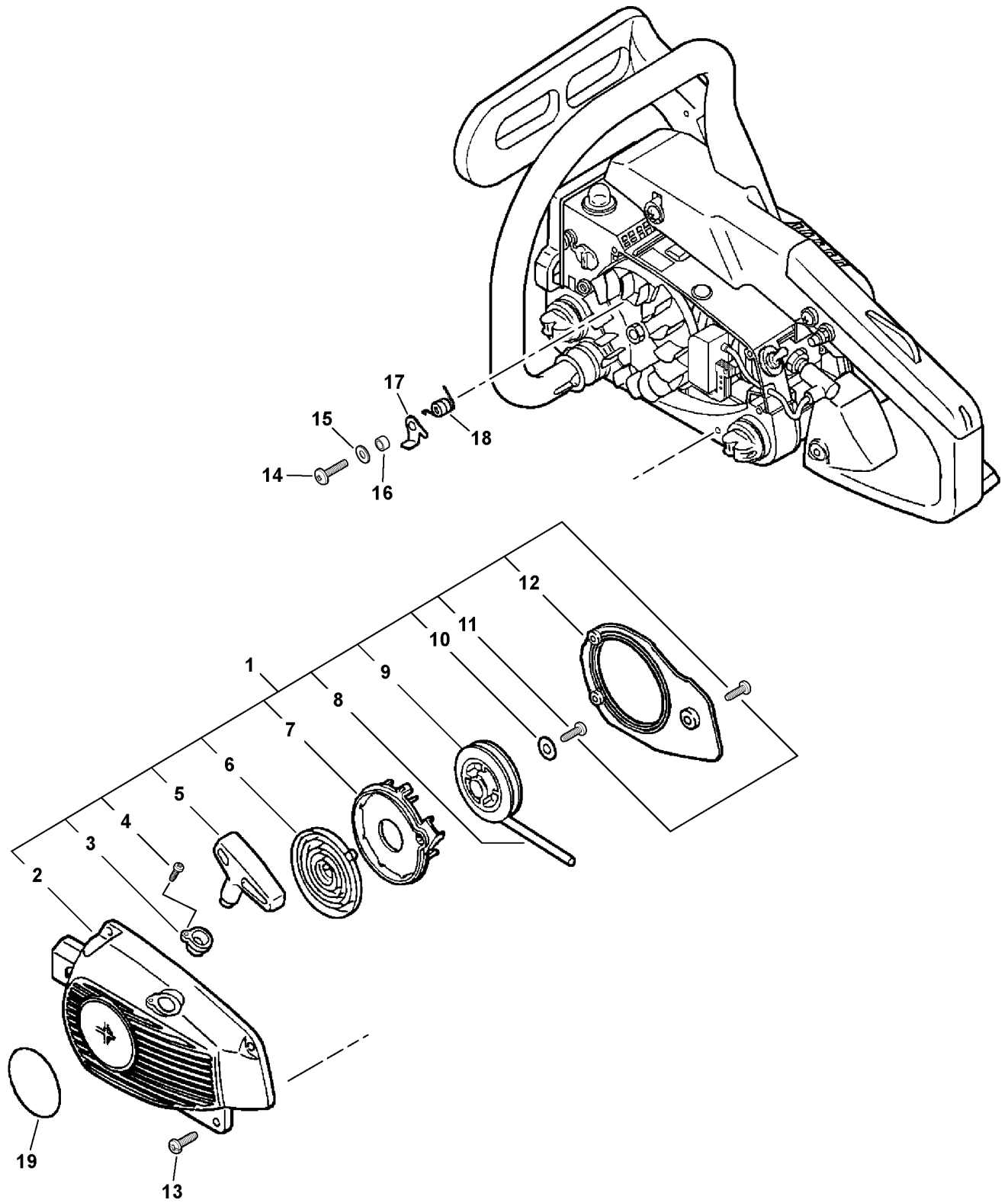


Table of Contents

Click Any Diagram Description Below To View That Diagram.

CS-306 S/N: 02001001 - 02999999

Starter S/N: 02001001 - 02042300.....	4
Starter S/N: 02042301 - 02999999.....	6
Intake.....	8
Carburetor -- WT-589A.....	10
Exhaust.....	12
Chain Brake S/N: 02001001 - 02042300.....	14
Chain Brake S/N: 02042301 - 02999999.....	16
Guide Bar, Sawing Chain.....	18
Clutch.....	20
Fuel System, Auto Oiler S/N: 02001001 - 02042300.....	22
Fuel System, Auto Oiler S/N: 02042301 - 02999999.....	24
Handles.....	26
Ignition.....	28
Engine, Engine Cover, Short Block S/N: 02001001 - 02042300.....	30
Engine, Engine Cover, Short Block S/N: 02042301 - 02999999.....	32
Tools.....	34
Part Number Index.....	36
Part Description Index.....	37

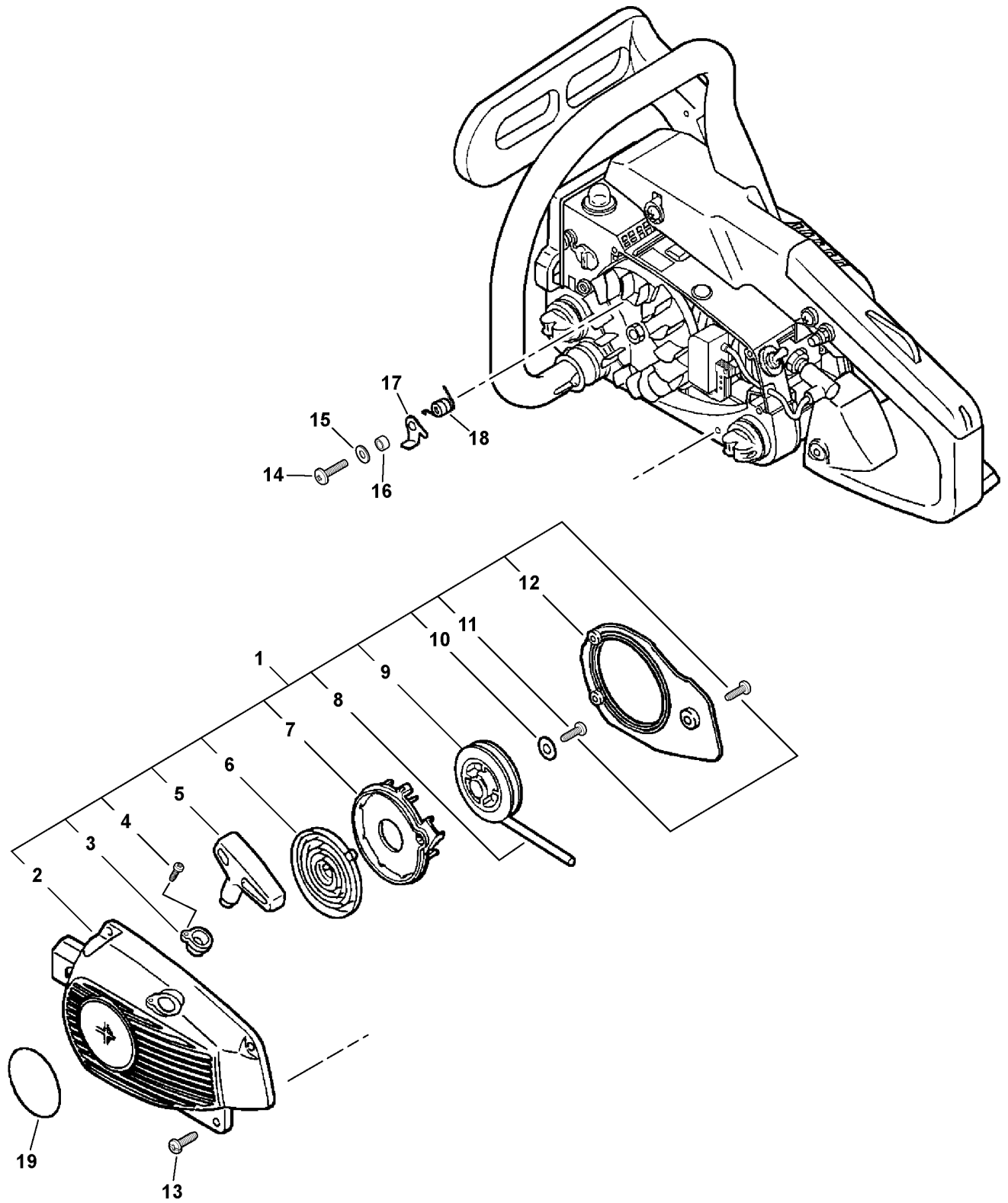


015 0001 GRY

ITEM	PART NUMBER	QTY	DESCRIPTION	REMARKS
1	17720039631	1	STARTER ASY	INCLUDES ITEMS 2-12
2	17723239630	1	HOUSING, STARTER - GRAY	
3	17722739131	1	GUIDE, ROPE	
4	90029603014	1	SCREW 3X14	
5	17722835430	1	GRIP, STARTER	
6	17722039630	1	SPRING, REWIND	
7	17722139630	1	PLATE, STARTER	
8	17722606530	1	ROPE, STARTER - 3X850mm ¹	
9	A506000090	1	REEL, ROPE	
10	17721404630	1	WASHER	
11	90025304014	4	SCREW 4X14	
12	10153439530	1	PLATE, GUIDE	
13	90025604016	4	SCREW 4X16	
14	90021605012	2	SCREW 5X12	
15	90060300005	2	WASHER 5	
16	17724704630	2	SPACER, RATCHET	
17	A514000000	2	PAWL, STARTER	
18	17723435430	2	SPRING, RETURN	
19	89011849330	1	LABEL, ECHO	

Footnotes

1: BULK OPTION: 99944440000

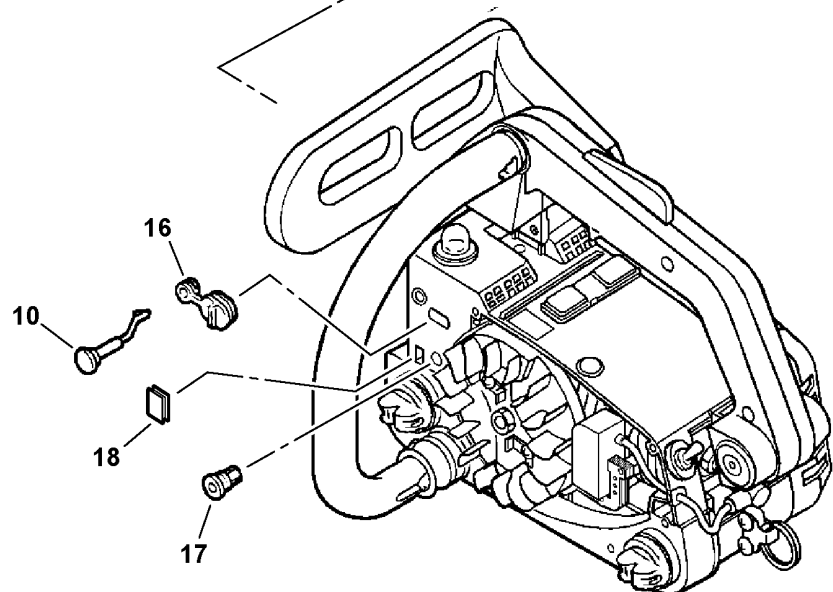
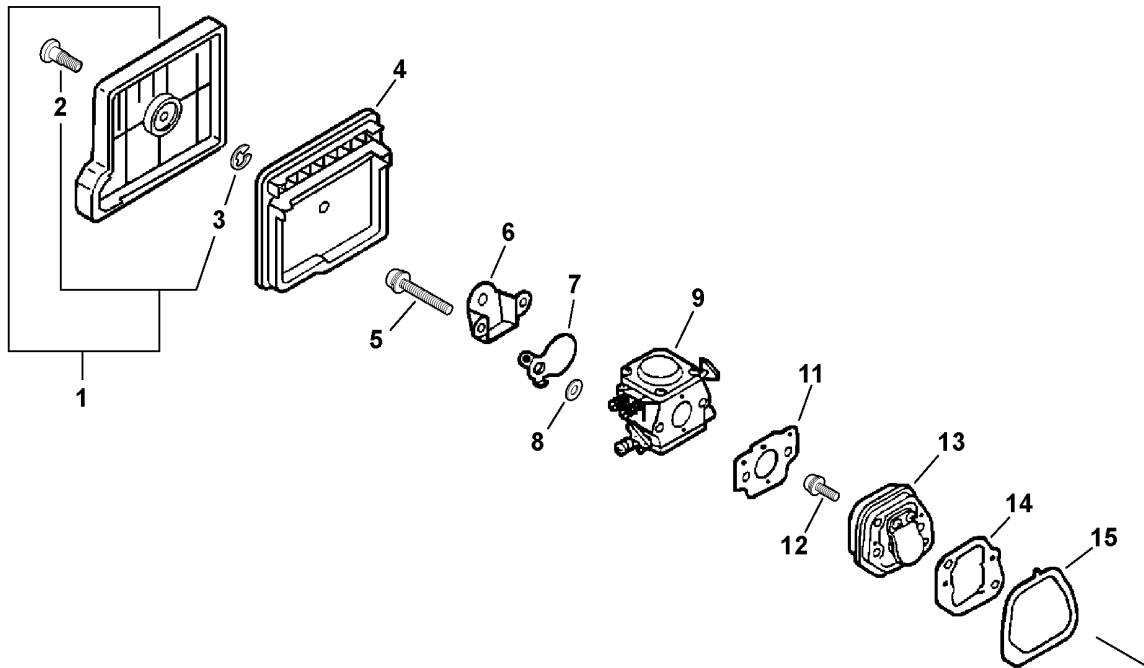


015 0001 ORG

ITEM	PART NUMBER	QTY	DESCRIPTION	REMARKS
1	P021011560	1	STARTER ASY	INCLUDES ITEMS 2-12
2	A500000460	1	HOUSING, STARTER - ORANGE	
3	17722739131	1	GUIDE, ROPE	
4	90029603014	1	SCREW 3X14	
5	17722835430	1	GRIP, STARTER	
6	17722039630	1	SPRING, REWIND	
7	17722139630	1	PLATE, STARTER	
8	17722606530	1	ROPE, STARTER - 3X850mm ¹	
9	A506000090	1	REEL, ROPE	
10	17721404630	1	WASHER	
11	90025304014	4	SCREW 4X14	
12	10153439530	1	PLATE, GUIDE	
13	90025604016	4	SCREW 4X16	
14	90021605012	2	SCREW 5X12	
15	90060300005	2	WASHER 5	
16	17724704630	2	SPACER, RATCHET	
17	A514000000	2	PAWL, STARTER	
18	17723435430	2	SPRING, RETURN	
19	89011849330	1	LABEL, ECHO	

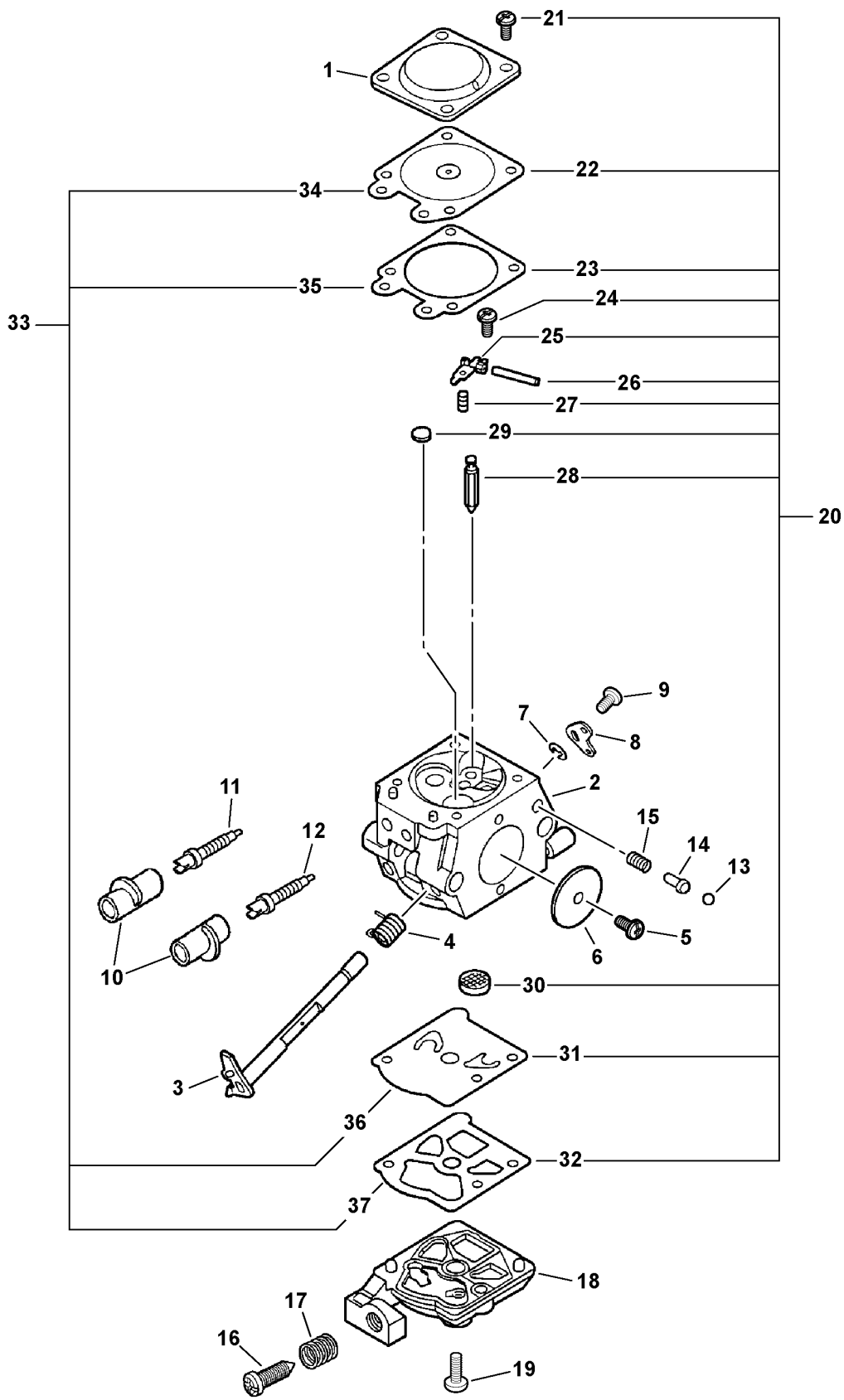
Footnotes

1: BULK OPTION: 99944440000



010 0002 000

ITEM	PART NUMBER	QTY	DESCRIPTION	REMARKS
1	13030239136	1	CLEANER LID ASY	INCLUDES ITEMS 2-3
2	13040613933	1	BOLT ASY	INCLUDES ITEMS 3
3	90070000004	1	E-RING 4	
4	13031039132	1	FILTER, AIR	
5	90023805045	2	SCREW 5X45	
6	12901139130	1	PLATE, PREVENT	
7	17851539130	1	SHUTTER, CHOKE	
8	17851603930	2	WASHER	
9	A021000761	1	CARBURETOR -- WT-589A	
10	17851039230	1	ROD, CHOKE	
11	V103000021	1	GASKET, INTAKE	
12	90025005018	2	SCREW 5X18	
13	P021000010	1	INSULATOR KIT	
14	V103000120	1	GASKET, INTAKE	
15	13001239131	1	SEAL	
16	17881039630	1	GROMMET, CHOKE	
17	12902339131	1	GROMMET, IDLE	
18	10403439130	1	PLUG	

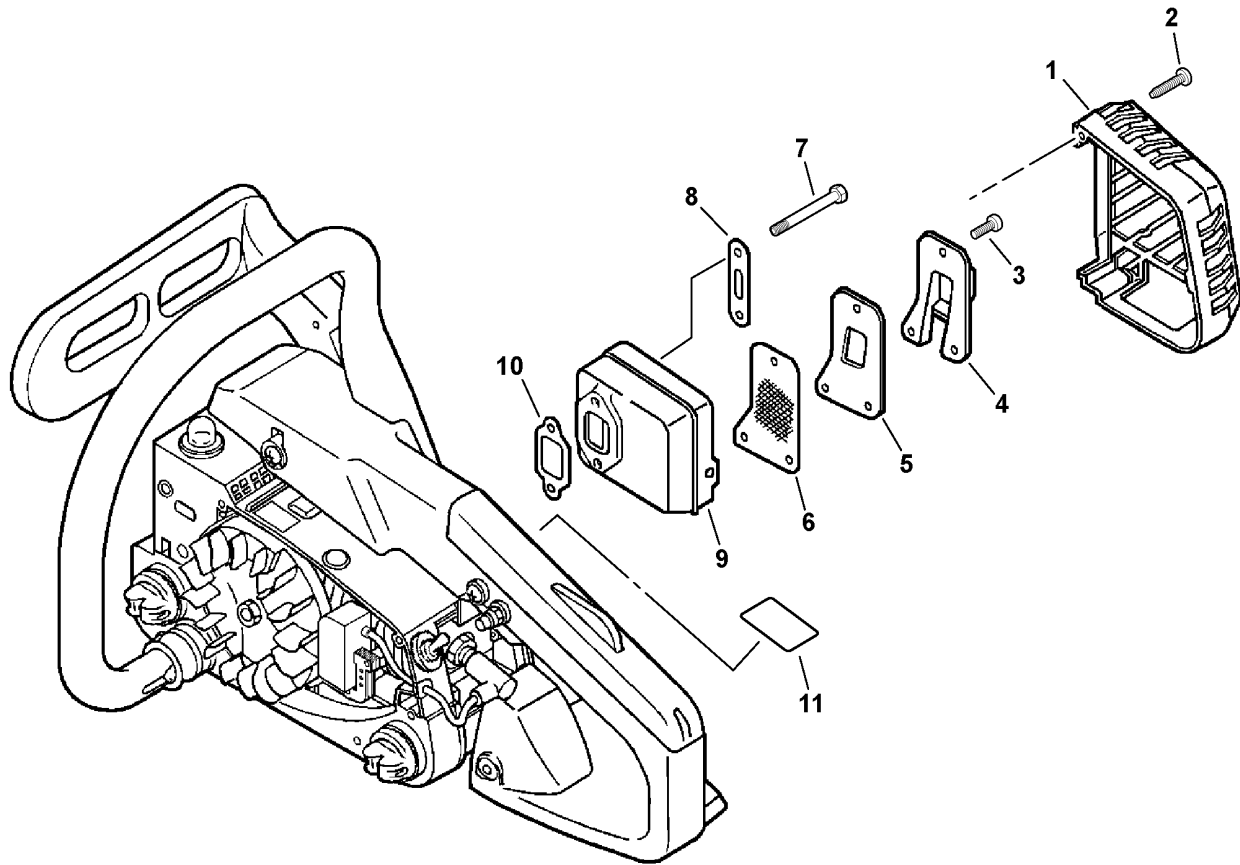


WT589A 0000 000

ITEM	PART NUMBER	QTY	DESCRIPTION	REMARKS
	A021000761	1	CARBURETOR -- WT-589A	
1	12314203930	1	COVER, METERING DIAPHRAGM	
2	-----	1	BODY, CARBURETOR ¹	
3	12311739530	1	SHAFT, THROTTLE	
4	12311347530	1	SPRING, THROTTLE RETURN	
5	12311438830	1	SCREW, THROTTLE VALVE	
6	12311605230	1	VALVE, THROTTLE	
7	12312715030	1	CLIP, THROTTLE SHAFT	
8	12315039230	1	LEVER, THROTTLE	
9	12311438830	1	SCREW, THROTTLE LEVER	
10	P003000010	2	CAP, MIXTURE LIMITER	
11	12312043131	1	NEEDLE - HIGH SPEED	
12	12311839231	1	NEEDLE - LOW SPEED	
13	12313609660	1	BALL	
14	12318509660	1	PISTON ASY	
15	12318609660	1	SPRING, START VALVE	
16	12313419730	1	SCREW, IDLE ADJUST	
17	12313311130	1	SPRING, IDLE ADJUST	
18	12312409320	1	COVER, FUEL PUMP	
19	12311003930	1	SCREW, PUMP COVER	
20	12310037330	1	REPAIR KIT	INCLUDES ITEMS 21-32
21	12313002960	4	SCREW, METERING DIAPHRAGM COVER	
22	-----	1	DIAPHRAGM, METERING	
23	-----	1	GASKET, METERING DIAPHRAGM	
24	-----	1	SCREW, METERING LEVER PIN	
25	-----	1	LEVER, METERING	
26	-----	1	PIN, METERING LEVER	
27	-----	1	SPRING, METERING LEVER	
28	-----	1	VALVE, INLET NEEDLE	
29	-----	1	PLUG, WELCH	
30	-----	1	SCREEN, INLET	
31	-----	1	DIAPHRAGM, FUEL PUMP	
32	-----	1	GASKET, FUEL PUMP	
33	12310105960	1	DIAPHRAGM/GASKET KIT	INCLUDES ITEMS 34-37
34	-----	1	DIAPHRAGM, METERING	
35	-----	1	GASKET, METERING DIAPHRAGM	
36	-----	1	DIAPHRAGM, FUEL PUMP	
37	-----	1	GASKET, FUEL PUMP	

Footnotes

1: NOT AVAILABLE SEPARATELY

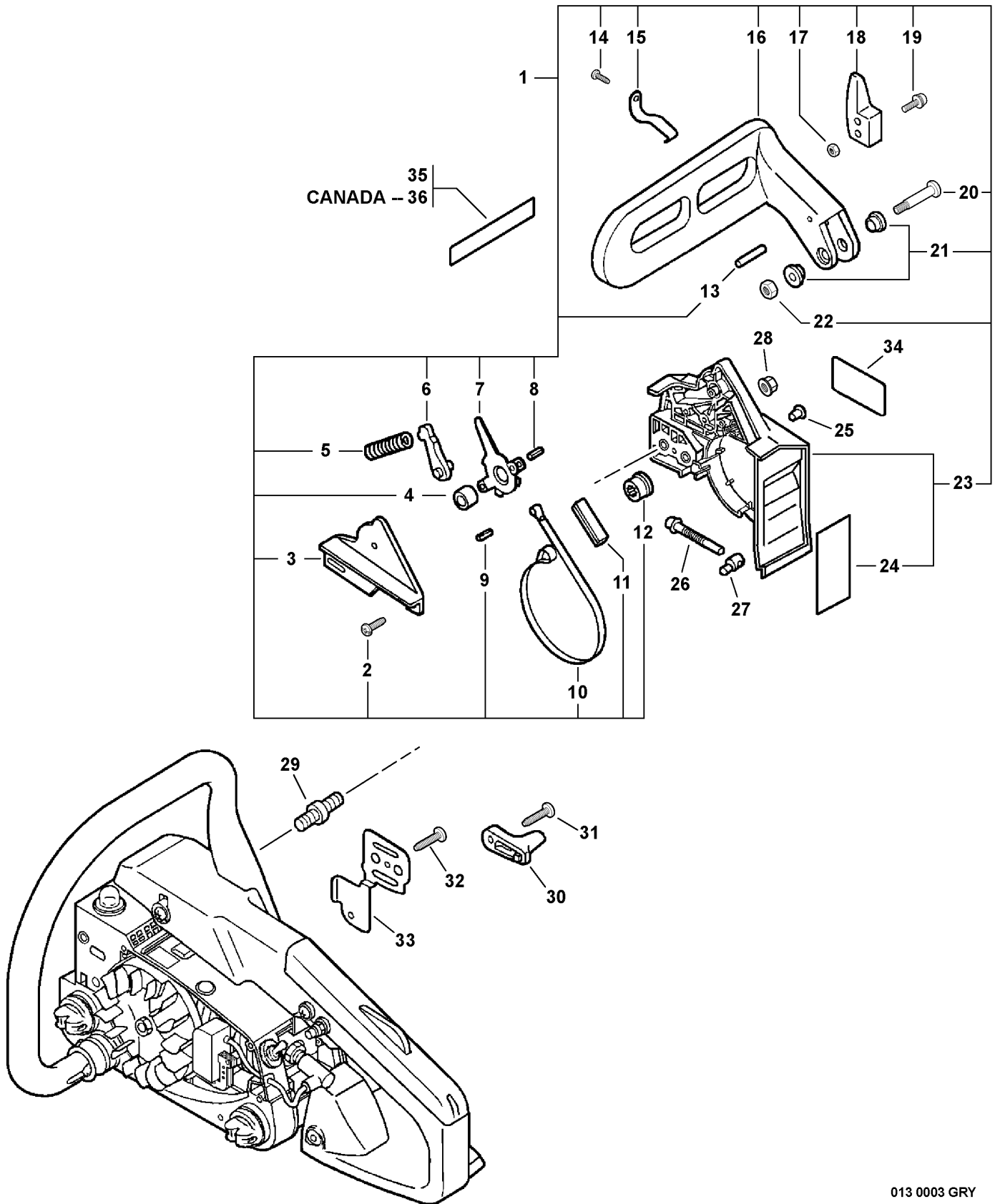


011 0001 000

CS-306 CHAIN SAW

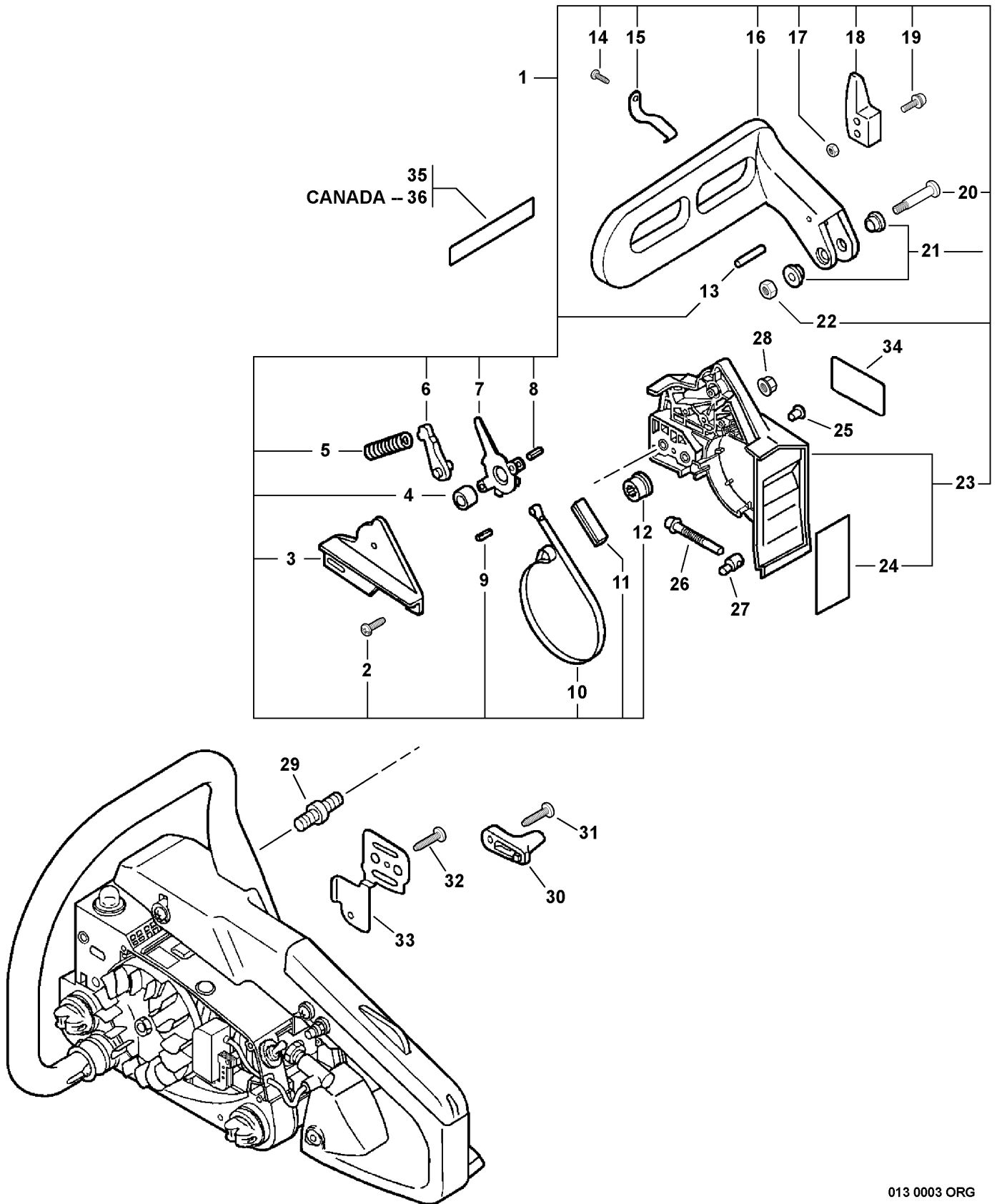
Exhaust

ITEM	PART NUMBER	QTY	DESCRIPTION	REMARKS
1	A320000033	1	COVER, MUFFLER	
2	90025305020	2	SCREW 5X20	
3	9136704010	3	SCREW 4X10	
4	A303000010	1	GUIDE, EXHAUST	
5	V104000140	1	GASKET, EXHAUST	
6	14586213931	1	SCREEN, MUFFLER	
7	9110705045	2	FLANGE BOLT	
8	14564213930	1	PLATE, EYE	
9	A300000120	1	MUFFLER	
10	14551013931	1	GASKET, EXHAUST	
11	89016006361	1	LABEL, CAUTION - HOT	



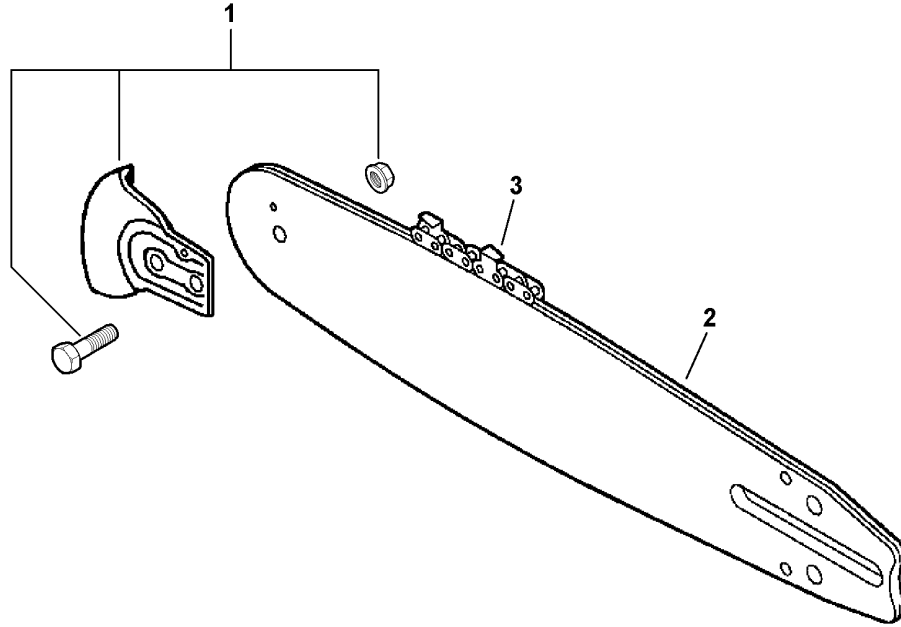
013 0003 GRY

ITEM	PART NUMBER	QTY	DESCRIPTION	REMARKS
1	C032000062	1	CHAIN BRAKE ASY	INCLUDES ITEMS 2-24
2	90025304012	3	SCREW 4X12	
3	43331039530	1	COVER, BRAKE - GRAY	
4	43311635430	1	SPACER 8	
5	43312235430	1	SPRING, BRAKE	
6	43320935430	1	STOPPER, BRAKE	
7	43320835431	1	CONNECTOR, BRAKE	
8	90033040088	1	ROLLER 4X8.8	
9	90034225012	1	SPRING PIN 2.5X12	
10	43312339530	1	BAND, BRAKE	
11	43331232630	1	COVER, SEAL	
12	43314235430	1	ADJUSTER, BRAKE	
13	90033040238	1	ROLLER, 4X23.8	
14	90025304010	1	SCREW 4X10	
15	43311439130	1	SPRING	
16	43314739430	1	LEVER, BRAKE - ORANGE	
17	90050000004	2	NUT 4	
18	43317139130	1	WEIGHT, BRAKE	
19	90023804022	2	SCREW 4X22	
20	9131805032	1	SCREW 5X32	
21	43316739130	2	SPACER	
22	90056250005	1	LOCKNUT	
23	C300000041	1	GUARD, SPROCKET - GRAY	INCLUDES ITEM 24
24	V341000000	1	DEFLECTOR, HEAT	
25	V162000020	1	PLUG	
26	43301639131	1	BOLT 5	
27	43301403931	1	TENSIONER, CHAIN	
28	43301903933	2	FLANGE NUT 6	
29	V224000030	2	STUD, GUIDE BAR	
30	90025305020	1	SCREW 5X20	
31	43302635430	1	CATCHER, CHAIN	
32	90025304010	1	SCREW 4X10	
33	43301239131	1	PLATE, GUIDE	
34	X502000290	1	LABEL, ECHO	
35	X524001691	1	LABEL, BAR & CHAIN	US MODELS
36	X524001701	1	LABEL, BAR & CHAIN	CANADA MODELS



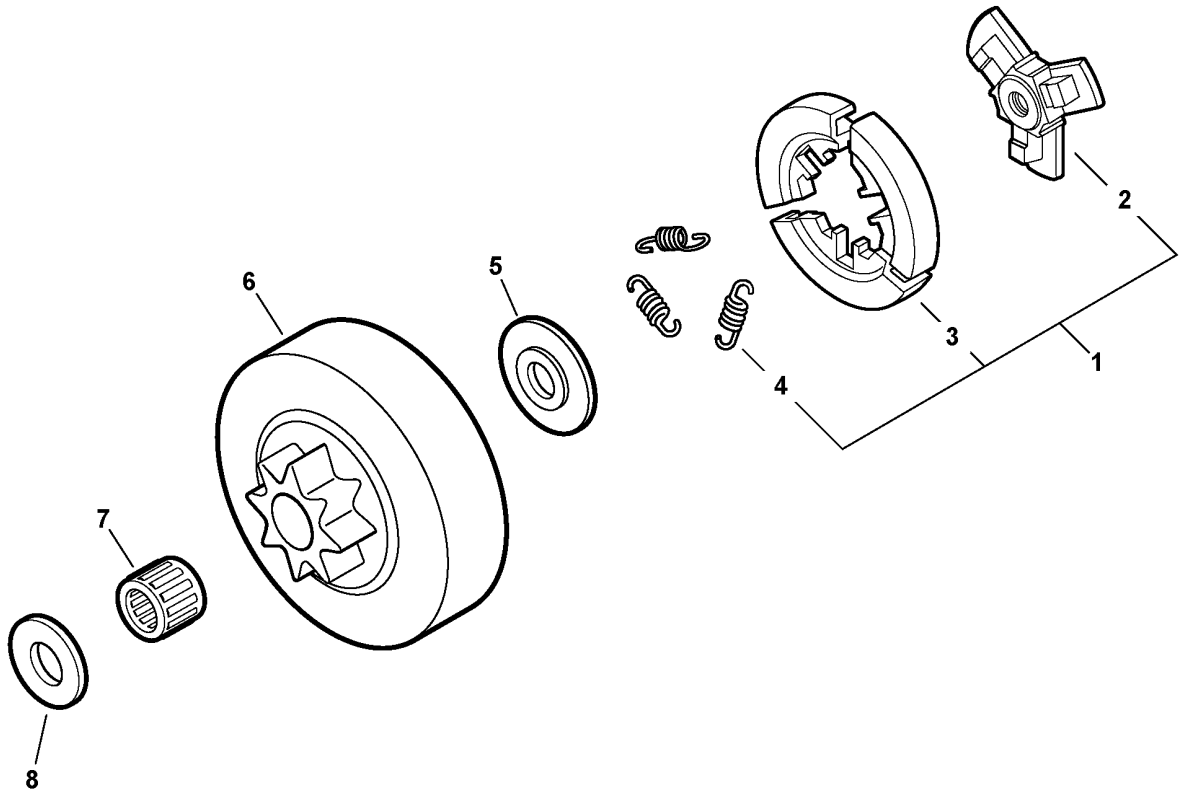
013 0003 ORG

ITEM	PART NUMBER	QTY	DESCRIPTION	REMARKS
1	C032000290	1	CHAIN BRAKE ASY	INCLUDES ITEMS 2-24
2	90025304012	3	SCREW 4X12	
3	C345000230	1	COVER, BRAKE - ORANGE	
4	43311635430	1	SPACER 8	
5	43312235430	1	SPRING, BRAKE	
6	43320935430	1	STOPPER, BRAKE	
7	43320835431	1	CONNECTOR, BRAKE	
8	90033040088	1	ROLLER 4X8.8	
9	90034225012	1	SPRING PIN 2.5X12	
10	43312339530	1	BAND, BRAKE	
11	43331232630	1	COVER, SEAL	
12	43314235430	1	ADJUSTER, BRAKE	
13	90033040238	1	ROLLER, 4X23.8	
14	90025304010	1	SCREW 4X10	
15	43311439130	1	SPRING	
16	C320000130	1	LEVER, BRAKE - BLACK	
17	90050000004	2	NUT 4	
18	43317139130	1	WEIGHT, BRAKE	
19	90023804022	2	SCREW 4X22	
20	9131805032	1	SCREW 5X32	
21	43316739130	2	SPACER	
22	90056250005	1	LOCKNUT	
23	C300000340	1	GUARD, SPROCKET - ORANGE	INCLUDES ITEM 24
24	V341000000	1	DEFLECTOR, HEAT	
25	V162000020	1	PLUG	
26	43301639131	1	BOLT 5	
27	43301403931	1	TENSIONER, CHAIN	
28	43301903933	2	FLANGE NUT 6	
29	V224000030	2	STUD, GUIDE BAR	
30	90025305020	1	SCREW 5X20	
31	43302635430	1	CATCHER, CHAIN	
32	90025304010	1	SCREW 4X10	
33	43301239131	1	PLATE, GUIDE	
34	X502000290	1	LABEL, ECHO	
35	X524001691	1	LABEL, BAR & CHAIN	US MODELS
36	X524001701	1	LABEL, BAR & CHAIN	CANADA MODELS



016 0001 000

ITEM	PART NUMBER	QTY	DESCRIPTION	REMARKS
1	2894901	1	KICK GUARD KIT	
2	12A4CD3745	1	GUIDE BAR - 12" -- NARROW	
2	14A4CD3752	1	GUIDE BAR - 14" -- NARROW	
3	90SG45G	1	SAWING CHAIN - 12" -- NARROW	
3	90SG52G	1	SAWING CHAIN - 14" -- NARROW	

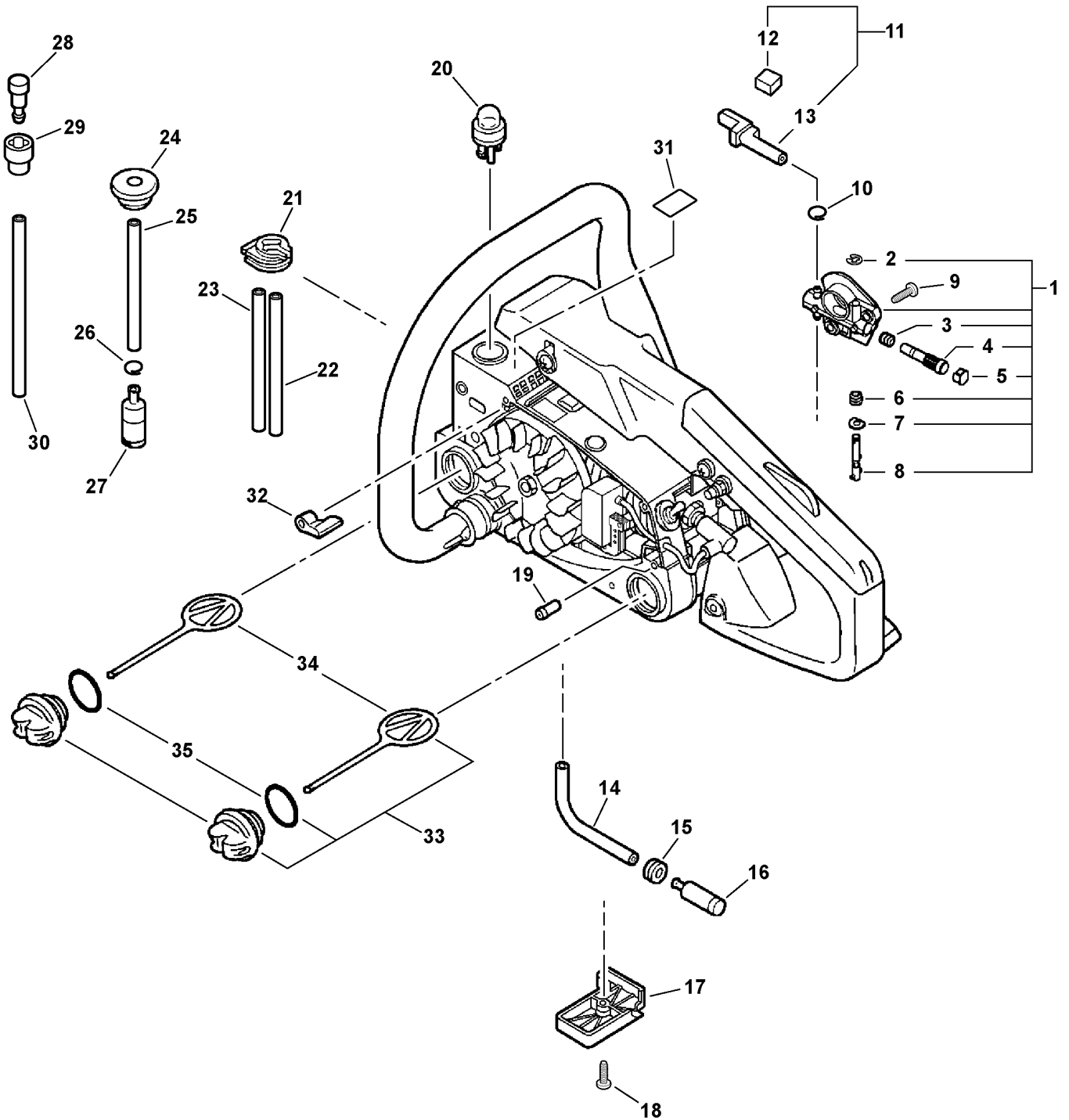


014 0002 000

CS-306 CHAIN SAW

Clutch

ITEM	PART NUMBER	QTY	DESCRIPTION	REMARKS
1	A056000070	1	CLUTCH ASY	INCLUDES ITEMS 2-4
2	A552000020	1	HUB, CLUTCH	
3	P021005810	1	CLUTCH SHOE SET	
4	V451000470	3	SPRING, CLUTCH	
5	A551000010	1	PLATE, CLUTCH	
6	17500539132	1	DRUM, CLUTCH	
7	17501235630	1	BEARING, NEEDLE	
8	17501439131	1	WASHER, CLUTCH	



017 0001 GRY

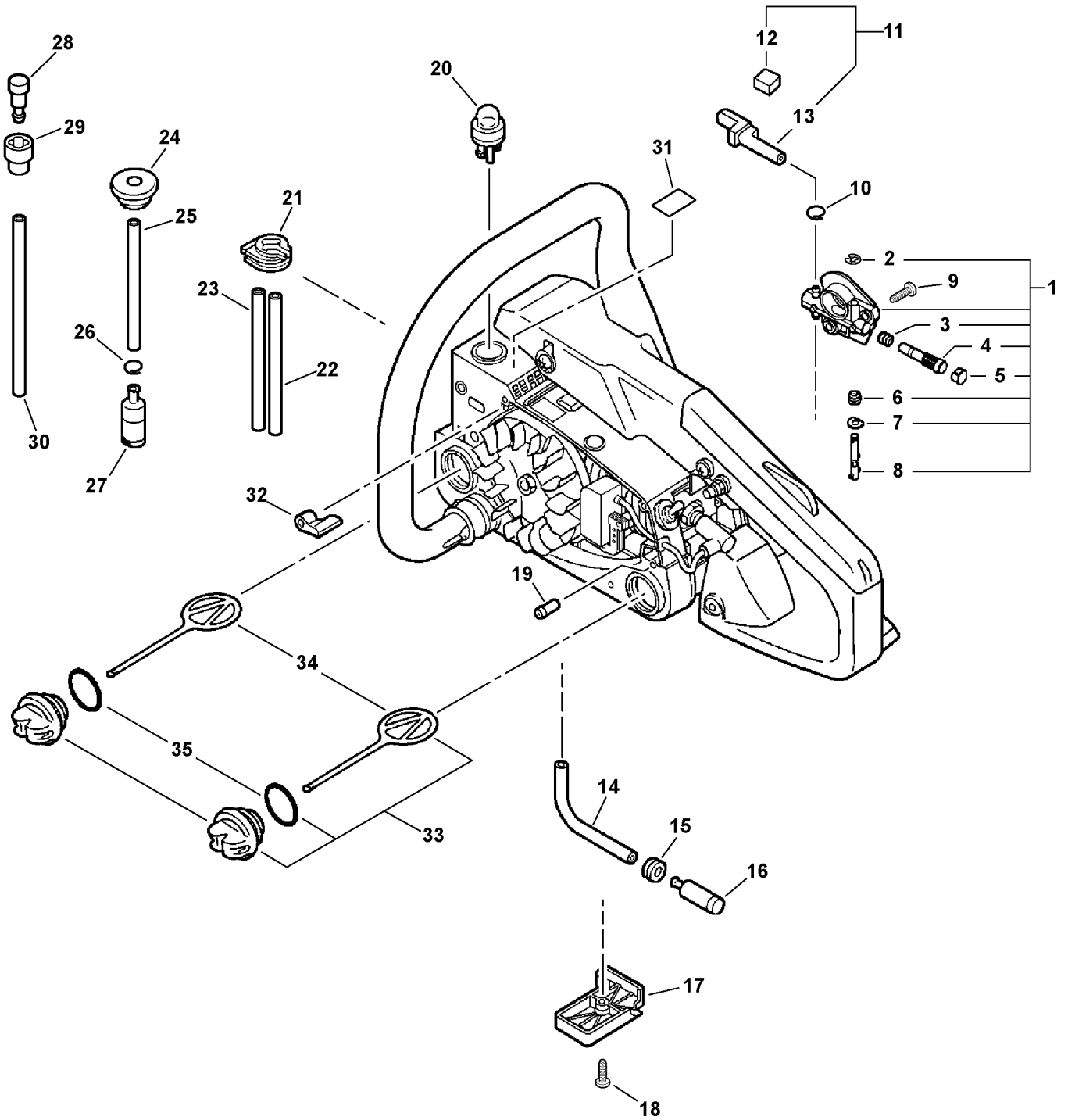
ITEM	PART NUMBER	QTY	DESCRIPTION	REMARKS
1	C022000010	1	AUTO-OILER ASY	INCLUDES ITEMS 1-8
2	12532715130	1	CLIP	
3	P022010660	1	SPRING	
4	P022010650	1	PLUNGER	
5	P022010640	1	CAP, OIL PUMP	
6	P022010670	1	SPRING	
7	43702937330	1	WASHER	
8	P022010680	1	NEEDLE, ADJUST	
9	90023505012	2	SCREW 5X12	
10	13201326630	1	CLIP	
11	43720139131	1	PIPE KIT	INCLUDES ITEM 12
12	43724439130	1	PAD, FOAM	
13	43721139133	1	PIPE, OIL	
14	V471000110	1	PIPE - 3X6X115mm ¹	
15	V137000010	1	GROMMET	
16	43620502832	1	STRAINER, OIL	
17	10404439230	1	COVER, BOTTOM - GRAY	
18	90025604016	1	SCREW 4X16	
19	43611413930	1	VALVE, CHECK	
20	12318139130	1	PUMP, PURGE	
21	13275839131	1	BRACKET, PUMP	
22	V471001200	1	PIPE, PURGE - 3X5X70mm ²	
23	13271639130	1	PIPE, RETURN - 2X4X42mm ³	
24	13211539130	1	GROMMET, FUEL	
25	13201239130	1	PIPE, FUEL - 3X6X160mm ¹	
26	13201326630	1	CLIP	
27	13120507320	1	FILTER, FUEL	
28	A356000030	1	VALVE, CHECK	
29	13132839130	1	COVER, VENT	
30	13201004920	1	PIPE, VENT - 3X5X150mm ²	
31	89016739230	1	LABEL, PURGE PUMP	
32	13033639530	1	PLUG	
33	43600139232	2	CAP ASY - ORANGE	INCLUDES ITEMS 34-35
34	13105119830	2	CLIP, FUEL CAP	
35	90072100025	2	O-RING 25	

Footnotes

1: BULK OPTION: 90015

2: BULK OPTION: 90014

3: BULK OPTION: 90018



017 0001 ORG

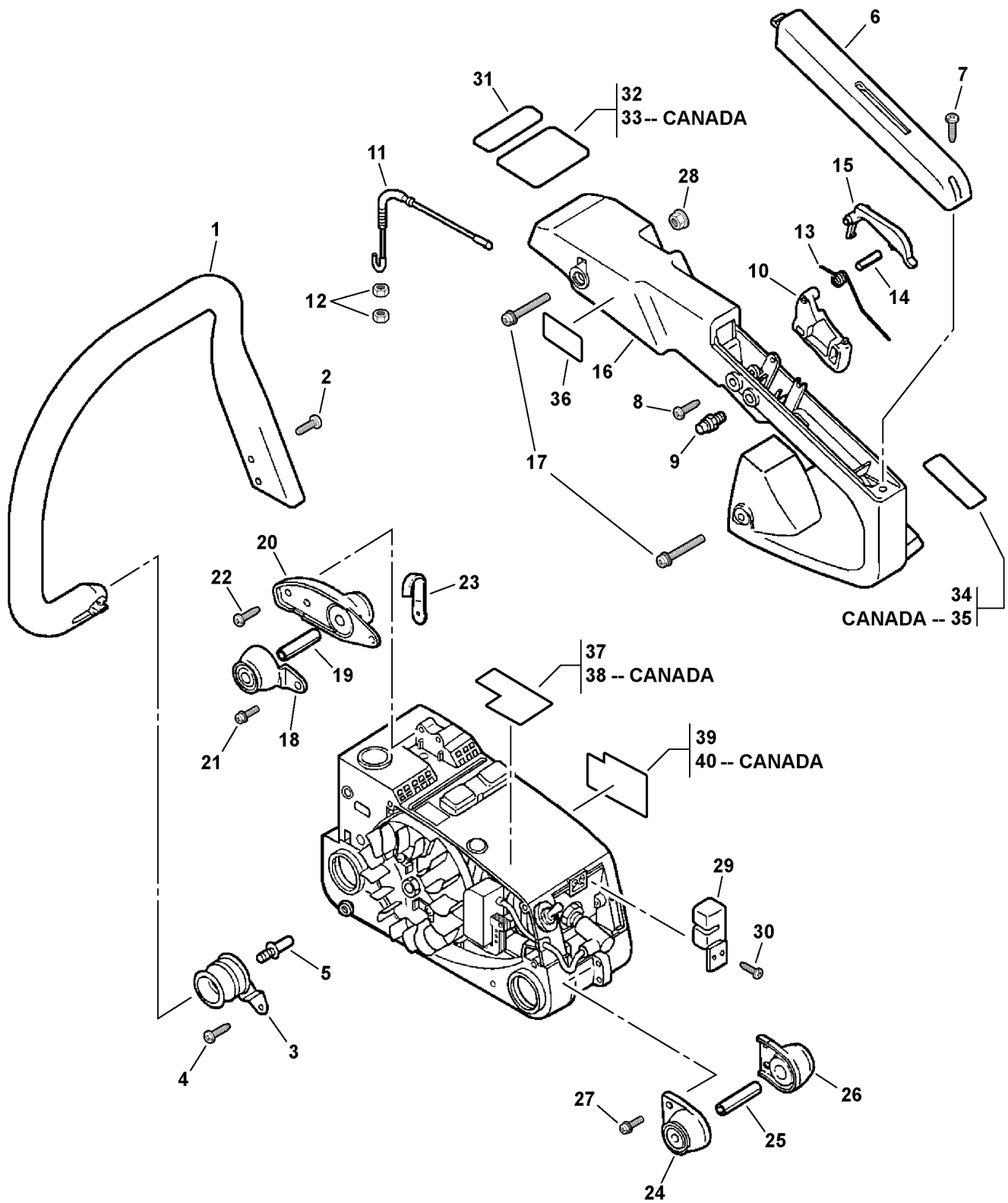
ITEM	PART NUMBER	QTY	DESCRIPTION	REMARKS
1	C022000010	1	AUTO-OILER ASY	INCLUDES ITEMS 1-8
2	12532715130	1	CLIP	
3	P022010660	1	SPRING	
4	P022010650	1	PLUNGER	
5	P022010640	1	CAP, OIL PUMP	
6	P022010670	1	SPRING	
7	43702937330	1	WASHER	
8	P022010680	1	NEEDLE, ADJUST	
9	90023505012	2	SCREW 5X12	
10	13201326630	1	CLIP	
11	43720139131	1	PIPE KIT	INCLUDES ITEM 12
12	43724439130	1	PAD, FOAM	
13	43721139133	1	PIPE, OIL	
14	V471000110	1	PIPE - 3X6X115mm ¹	
15	V137000010	1	GROMMET	
16	43620502832	1	STRAINER, OIL	
17	10404439130	1	COVER, BOTTOM - ORANGE	
18	90025604016	1	SCREW 4X16	
19	43611413930	1	VALVE, CHECK	
20	12318139130	1	PUMP, PURGE	
21	13275839131	1	BRACKET, PUMP	
22	V471001200	1	PIPE, PURGE - 3X5X70mm ²	
23	13271639130	1	PIPE, RETURN - 2X4X42mm ³	
24	13211539130	1	GROMMET, FUEL	
25	13201239130	1	PIPE, FUEL - 3X6X160mm ¹	
26	13201326630	1	CLIP	
27	13120507320	1	FILTER, FUEL	
28	A356000030	1	VALVE, CHECK	
29	13132839130	1	COVER, VENT	
30	13201004920	1	PIPE, VENT - 3X5X150mm ²	
31	89016739230	1	LABEL, PURGE PUMP	
32	13033639530	1	PLUG	
33	P021011590	2	CAP ASY - BLACK	INCLUDES ITEMS 34-35
34	13105119830	2	CLIP, FUEL CAP	
35	90072100025	2	O-RING 25	

Footnotes

1: BULK OPTION: 90015

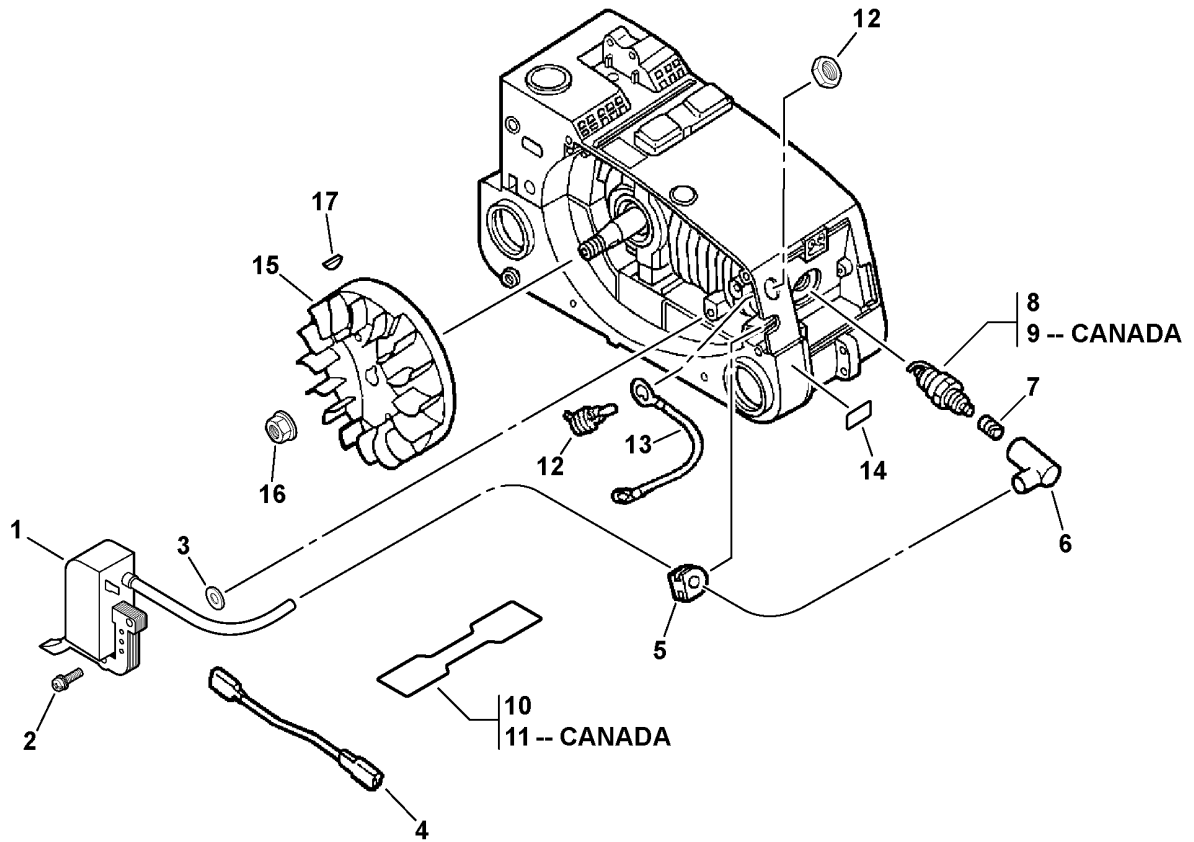
2: BULK OPTION: 90014

3: BULK OPTION: 90018



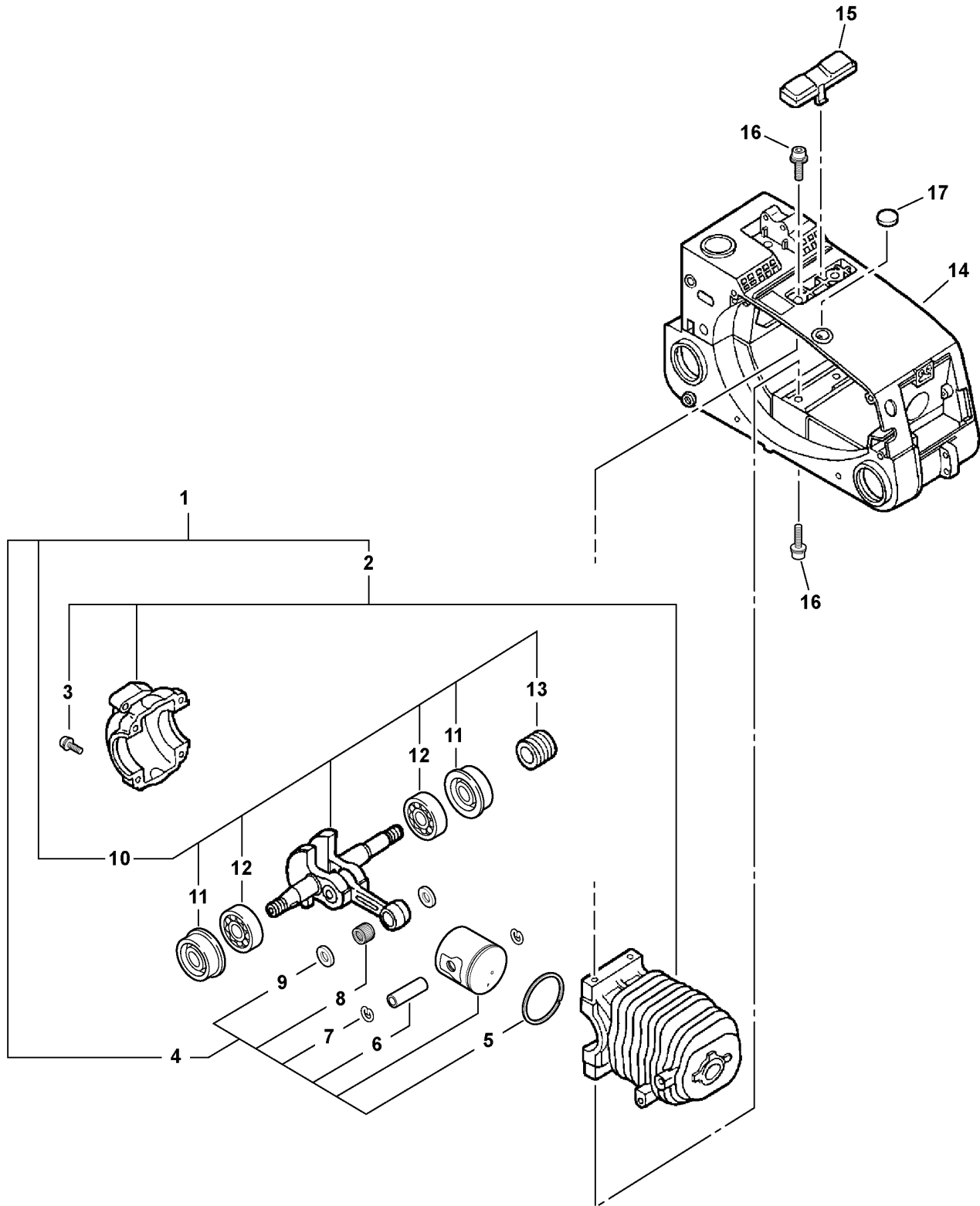
012 0003 000

ITEM	PART NUMBER	QTY	DESCRIPTION	REMARKS
1	35161039430	1	HANDLE, FRONT	
2	90025305020	2	SCREW 5X20	
3	10091035630	1	CUSHION	
4	90025604016	1	SCREW 4X16	
5	10091533930	1	SCREW	
6	35115539430	1	COVER, HANDLE	
7	90025604022	1	SCREW 4X22	
8	90025304025	1	SCREW 4X25	
9	17830237930	1	LATCH, THROTTLE	
10	17801039430	1	CONTROL, THROTTLE	
11	17800139430	1	CABLE, THROTTLE	
12	90050200006	2	NUT 6	
13	17809139430	1	SPRING, THROTTLE LOCKOUT	
14	90033040200	1	ROLLER, 4X19.8	
15	17809039430	1	LOCKOUT, THROTTLE	
16	35111039431	1	HANDLE, REAR	
17	90023805057	2	SCREW 5X57	
18	10091739431	1	CUSHION - UPPER	
19	10092439430	1	COLLAR, 5	
20	10091039430	1	CUSHION - UPPER	
21	90023804010	1	SCREW 4X10	
22	90023804014	2	SCREW 4X14	
23	15911318430	1	CLIP	
24	35162139430	1	CUSHION - LOWER	
25	10092439430	1	COLLAR, 5	
26	35162439430	1	CUSHION - LOWER	
27	90025304014	2	SCREW 4X14	
28	90051600005	2	FLANGE NUT 5	
29	10092139430	1	CUSHION	
30	90023804014	2	SCREW 4X14	
31	X503007180	1	LABEL, MODEL -- CS-306	
32	89019130131	1	LABEL, KICK BACK	
33	89035339530	1	LABEL, KICK BACK	CANADA MODELS
34	89022839131	1	LABEL, CAUTION - SPANISH	
35	89032439630	1	LABEL, CAUTION - FRENCH	CANADA MODELS
36	89017639431	1	LABEL, NOISE	CANADA MODELS
37	89011439434	1	LABEL, WARNING	
38	89035559533	1	LABEL, WARNING	CANADA MODELS
39	X505002060	1	LABEL, WARNING	
40	X505002070	1	LABEL, WARNING	CANADA MODELS



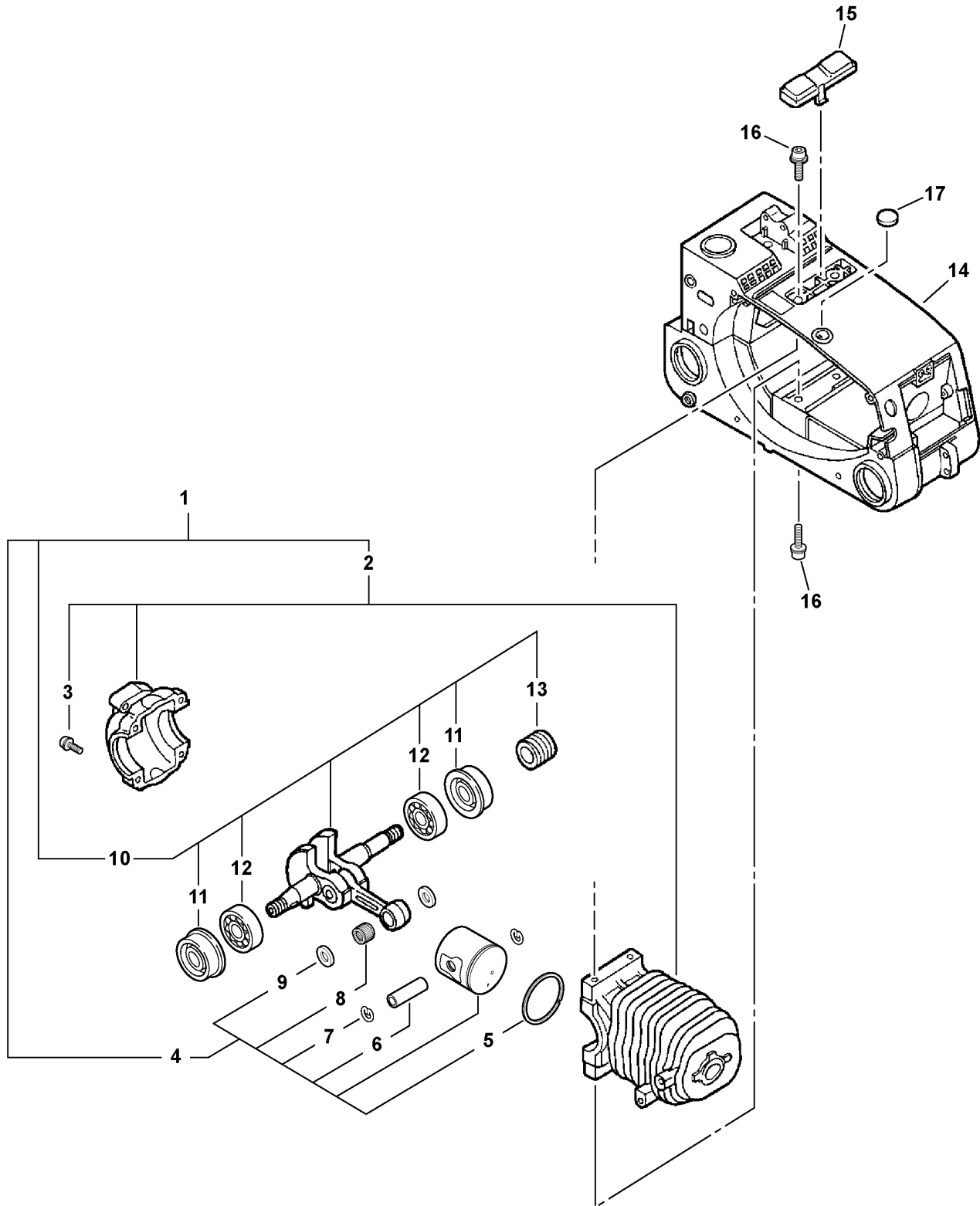
018 0001 000

ITEM	PART NUMBER	QTY	DESCRIPTION	REMARKS
1	A411000150	1	COIL, IGNITION	
2	90023805022	2	SCREW 5X22	
3	15011716430	2	SPACER	
4	16201039431	1	LEAD, IGNITION	
5	15611004920	1	BUSHING	
6	15901201620	1	CAP, SPARK PLUG	
7	15901103432	1	TERMINAL, SPARK PLUG CAP	
8	15901019830	1	SPARK PLUG -- BPM-8Y	US MODELS
9	A425000000	1	SPARK PLUG -- BPMR-8Y	CANADA MODELS
10	X532000671	1	LABEL -- BPM-8Y	US MODELS
11	X532000720	1	LABEL -- BPMR-8Y	CANADA MODELS
12	16340019830	1	SWITCH, IGNITION	
13	16201039131	1	LEAD, GROUND	
14	89015737330	1	LABEL, SWITCH	
15	15680039233	1	FLYWHEEL	
16	90051500008	1	FLANGE NUT 8	
17	10014239130	1	WOODRUFF KEY	



SB1052 0000 GRY

ITEM	PART NUMBER	QTY	DESCRIPTION	REMARKS
1	SB1052	1	SHORT BLOCK	INCLUDES ITEMS 2-13
2	P021002021	1	CRANKCASE SET	INCLUDES ITEM 3
3	90023805025	4	SCREW 5X25	
4	10000039130	1	PISTON KIT	INCLUDES ITEMS 5-9
5	10001146430	1	RING, PISTON	
6	10001315330	1	PIN, PISTON	
7	10001504630	2	CIRCLIP, PISTON PIN	
8	17501203930	1	BEARING, NEEDLE	
9	10001411520	2	SPACER, PISTON PIN	
10	P021007232	1	CRANKSHAFT ASY	INCLUDES ITEMS 11-13
11	V505000010	2	OIL SEAL	
12	9403536201	2	BEARING, BALL 6201	
13	43706338330	1	GEAR, WORM	
14	A190000021	1	COVER, ENGINE - GRAY	
15	10402939230	1	COVER, TOP - GRAY	
16	9111005016	4	BOLT 5X16	
17	16391139130	1	PLUG	



SB1052 0000 ORG

ITEM	PART NUMBER	QTY	DESCRIPTION	REMARKS
1	SB1052	1	SHORT BLOCK	INCLUDES ITEMS 2-13
2	P021002021	1	CRANKCASE SET	INCLUDES ITEM 3
3	90023805025	4	SCREW 5X25	
4	10000039130	1	PISTON KIT	INCLUDES ITEMS 5-9
5	10001146430	1	RING, PISTON	
6	10001315330	1	PIN, PISTON	
7	10001504630	2	CIRCLIP, PISTON PIN	
8	17501203930	1	BEARING, NEEDLE	
9	10001411520	2	SPACER, PISTON PIN	
10	P021007232	1	CRANKSHAFT ASY	INCLUDES ITEMS 11-13
11	V505000010	2	OIL SEAL	
12	9403536201	2	BEARING, BALL 6201	
13	43706338330	1	GEAR, WORM	
14	A190000640	1	COVER, ENGINE - ORANGE	
15	10402939130	1	COVER, TOP - ORANGE	
16	9111005016	4	BOLT 5X16	
17	16391139130	1	PLUG	

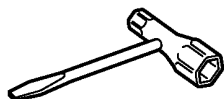
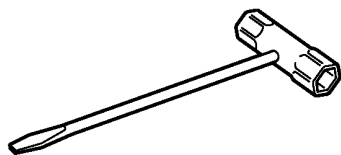
WRENCH W/SCREWDRIVER (Also Remove Spark Plugs)

1 - 89541010630 -- 17X19mm

2 - X602000020 -- 17X19mm

3 - 89541039131 -- 10X19mm

4 - 89541006960 -- 13X19mm



BOX WRENCH

5 - X602000031 -- 17X14.5mm



LOCKING BAR

6 - 89751801131 -- 5X120mm



SPANNER

7 - 89511200330 -- 8X10mm

8 - 89512220960 -- 17X19mm



9 - 89501505260 -- 10mm



HEX BAR

10 - 89541220960 -- 10mm



L-WRENCH

11 - 89561203430 -- 3mm



12 - 89561000130 -- 4mm

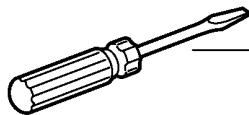


13 - 89561100330 -- 5mm

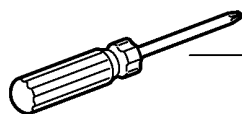


SCREWDRIVER

14 - 89581100130 -- 125mm



15 - 89581203930 -- 50mm



200 0001 000

ITEM	PART NUMBER	QTY	DESCRIPTION	REMARKS
1	89541010630	1	TOOL - WRENCH W/SCREWDRIVER -- 17X19mm	
2	X602000020	1	TOOL - WRENCH W/SCREWDRIVER -- 17X19mm	
3	89541039131	1	TOOL - WRENCH W/SCREWDRIVER -- 10X19mm	
4	89541006960	1	TOOL - WRENCH W/SCREWDRIVER -- 13X19mm	
5	X602000031	1	TOOL - BOX WRENCH -- 17X14.5mm	
6	89751801131	1	TOOL - LOCKING BAR -- 5X120mm	
7	89511200330	1	TOOL - SPANNER -- 8X10mm	
8	89512220960	1	TOOL - SPANNER -- 17X19mm	
9	89501505260	1	TOOL - SPANNER -- 10mm	
10	89541220960	1	TOOL - HEX BAR -- 10mm	
11	89561203430	1	TOOL - L-WRENCH -- 3mm	
12	89561000130	1	TOOL - L-WRENCH -- 4mm	
13	89561100330	1	TOOL - L-WRENCH -- 5mm	
14	89581100130	1	TOOL - SCREWDRIVER -- 125mm	
15	89581203930	1	TOOL - SCREWDRIVER -- 50mm	