



---

**OPTIONAL ATTACHMENTS & ACCESSORIES**

**Accessories**

103942147 CS Carry Bag

**Guide Bars**

12A4CD3745 Guide Bar - 12" (.043" Ga)

14A4CD3752 Guide Bar - 14" (.043" Ga)

**Sawing Chains**

90SG45G Sawing Chain - 12" (.043" Ga) -- Micro-Lite

90SG52G Sawing Chain - 14" (.043" Ga) -- Micro-Lite

---

**PARTS CATALOG**  
**CS-306 Chain Saw**

**30.1cc**

**SERIAL NUMBERS**

---

S/N: 04001001 - 04999999

---

***ECHO, INCORPORATED***

400 Oakwood Road Lake Zurich, Illinois 60047 USA

WWW.ECHO-USA.COM



# Table of Contents

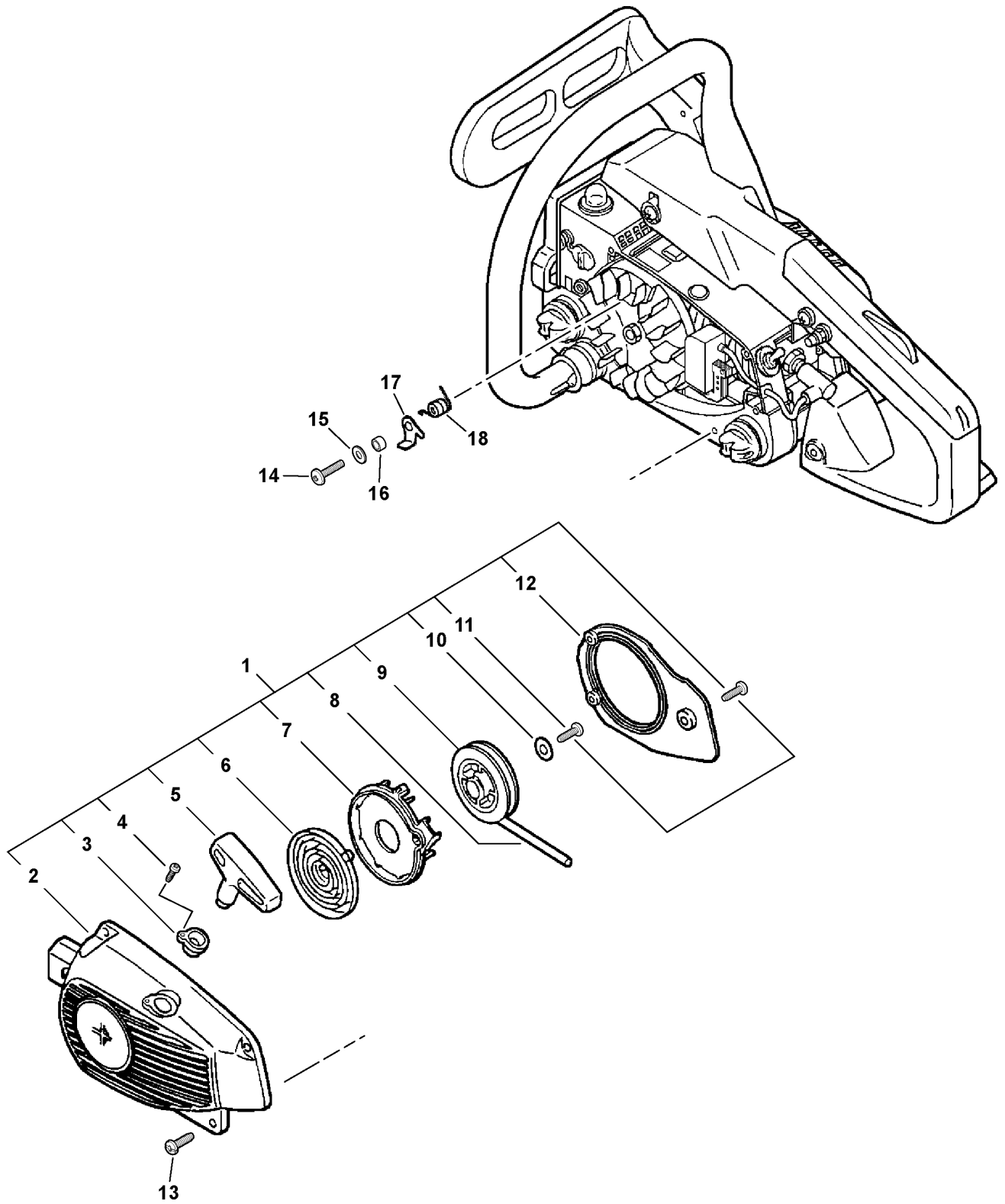
---

Click Any Diagram Description Below To View That Diagram.

**CS-306 S/N: 04001001 - 04999999**

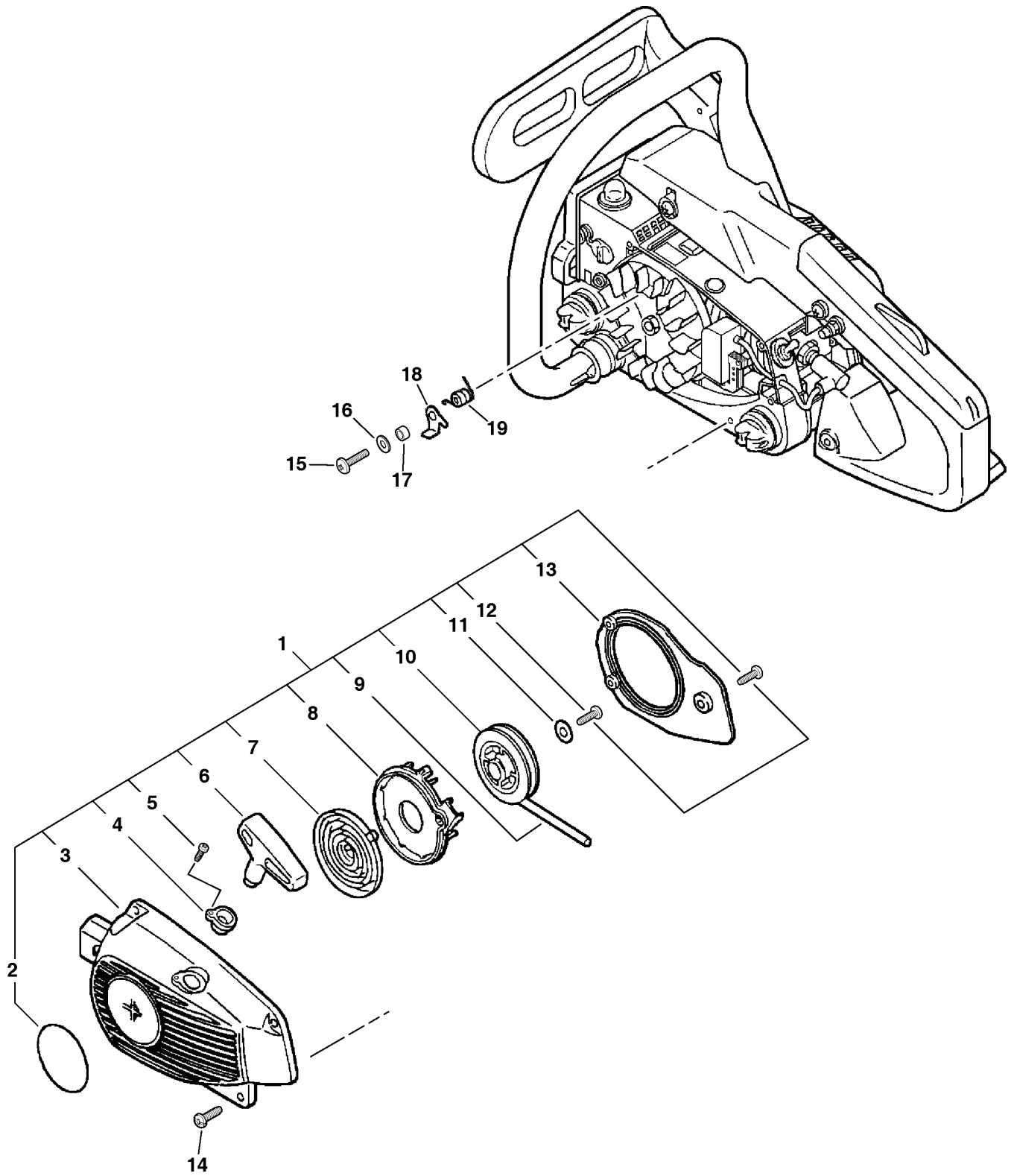
Starter S/N: 04001001 - 04002300.....	4
Starter S/N: 04002301 - 04999999.....	6
Intake.....	8
Carburetor -- WT-589A.....	10
Exhaust.....	12
Chain Brake S/N: 04001001 - 04002300.....	14
Chain Brake S/N: 04002301 - 04999999.....	16
Guide Bar, Sawing Chain, Kick Guard.....	18
Clutch.....	20
Fuel System, Auto Oiler S/N: 04001001 - 04002300.....	22
Fuel System, Auto Oiler S/N: 04002301 - 04999999.....	24
Handles.....	26
Ignition.....	28
Engine, Engine Cover, Short Block S/N: 04001001 - 04002300.....	30
Engine, Engine Cover, Short Block S/N: 04002301 - 04999999.....	32
Labels.....	34
RePower Tune-Up Kit.....	36
Tools.....	38
Part Number Index.....	40
Part Description Index.....	41

***This Page Intentionally Left Blank***



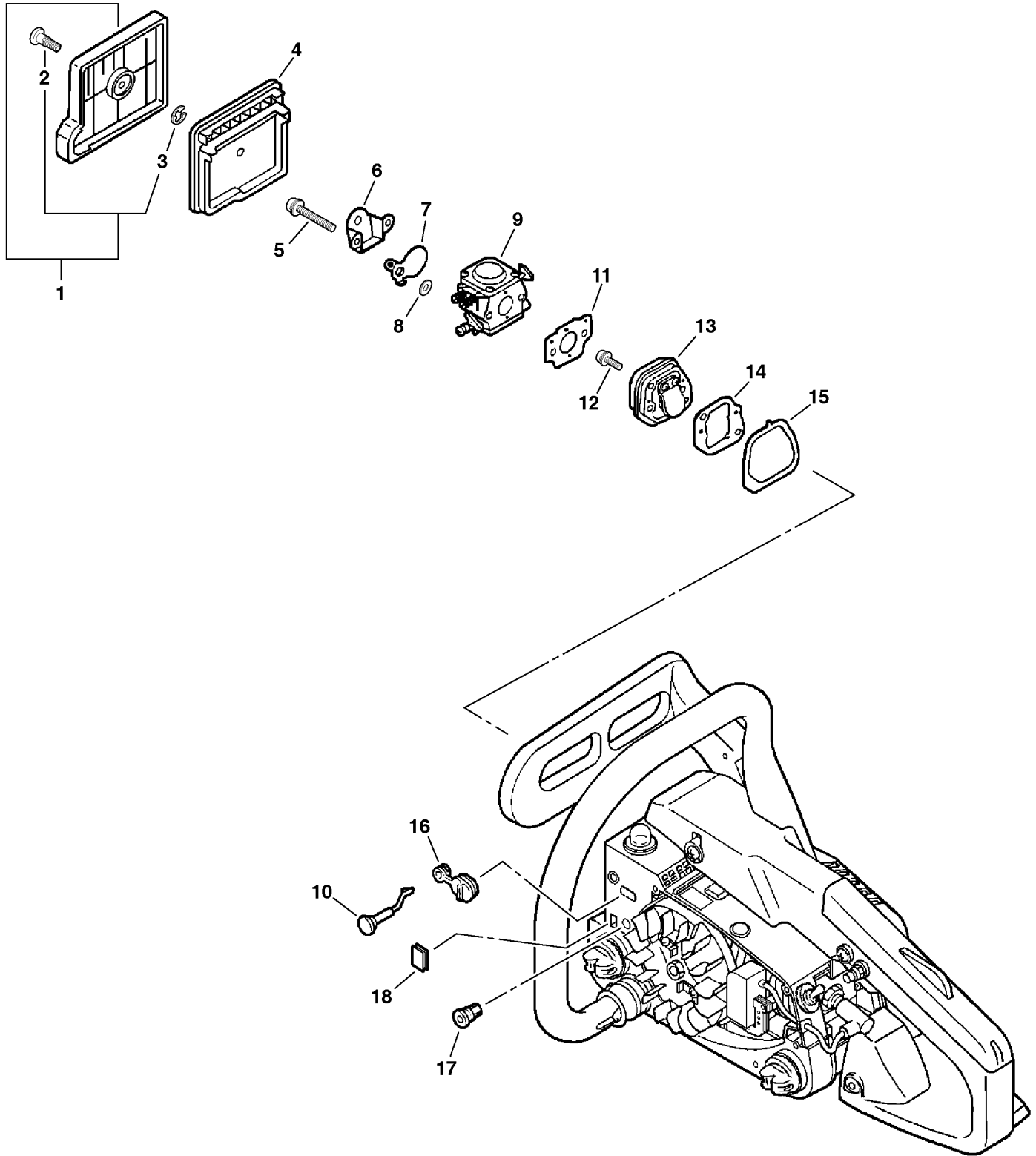
015 0001 GRY

ITEM	PART NUMBER	QTY	DESCRIPTION	REMARKS
1	17720039631	1	STARTER ASY	INCLUDES ITEMS 2-12
2	17723239630	1	HOUSING, STARTER - GRAY	
3	17722739131	1	GUIDE, ROPE	
4	90029603014	1	SCREW 3X14	
5	17722835430	1	GRIP, STARTER	
6	17722039630	1	SPRING, REWIND	
7	17722139630	1	PLATE, STARTER	
8	17722606530	1	ROPE, STARTER - 3.5X 1000mm	REPOWER BULK OPTION: 99944445000
9	A506000090	1	REEL, ROPE	
10	17721404630	1	WASHER	
11	90025304014	4	SCREW 4X14	
12	10153439530	1	PLATE, GUIDE	
13	90025604016	4	SCREW 4X16	
14	90021605012	2	SCREW 5X12	
15	90060300005	2	WASHER 5	
16	17724704630	2	SPACER	
17	A514000000	2	PAWL, STARTER	
18	17723435430	2	SPRING, RETURN	



015 0001 ORG

ITEM	PART NUMBER	QTY	DESCRIPTION	REMARKS
1	P021011560	1	STARTER ASY	INCLUDES ITEMS 2-12
2	89011849330	1	LABEL - ECHO	
3	A500000460	1	HOUSING, STARTER - ORANGE	
4	17722739131	1	GUIDE, ROPE	
5	90029603014	1	SCREW 3X14	
6	17722835430	1	GRIP, STARTER	
7	17722039630	1	SPRING, REWIND	
8	17722139630	1	PLATE, STARTER	
9	17722606530	1	ROPE, STARTER - 3.5X 1000mm	REPOWER BULK OPTION: 99944445000
10	A506000090	1	REEL, ROPE	
11	17721404630	1	WASHER	
12	90025304014	4	SCREW 4X14	
13	10153439530	1	PLATE, GUIDE	
14	90025604016	4	SCREW 4X16	
15	90021605012	2	SCREW 5X12	
16	90060300005	2	WASHER 5	
17	17724704630	2	SPACER	
18	A514000000	2	PAWL, STARTER	
19	17723435430	2	SPRING, RETURN	



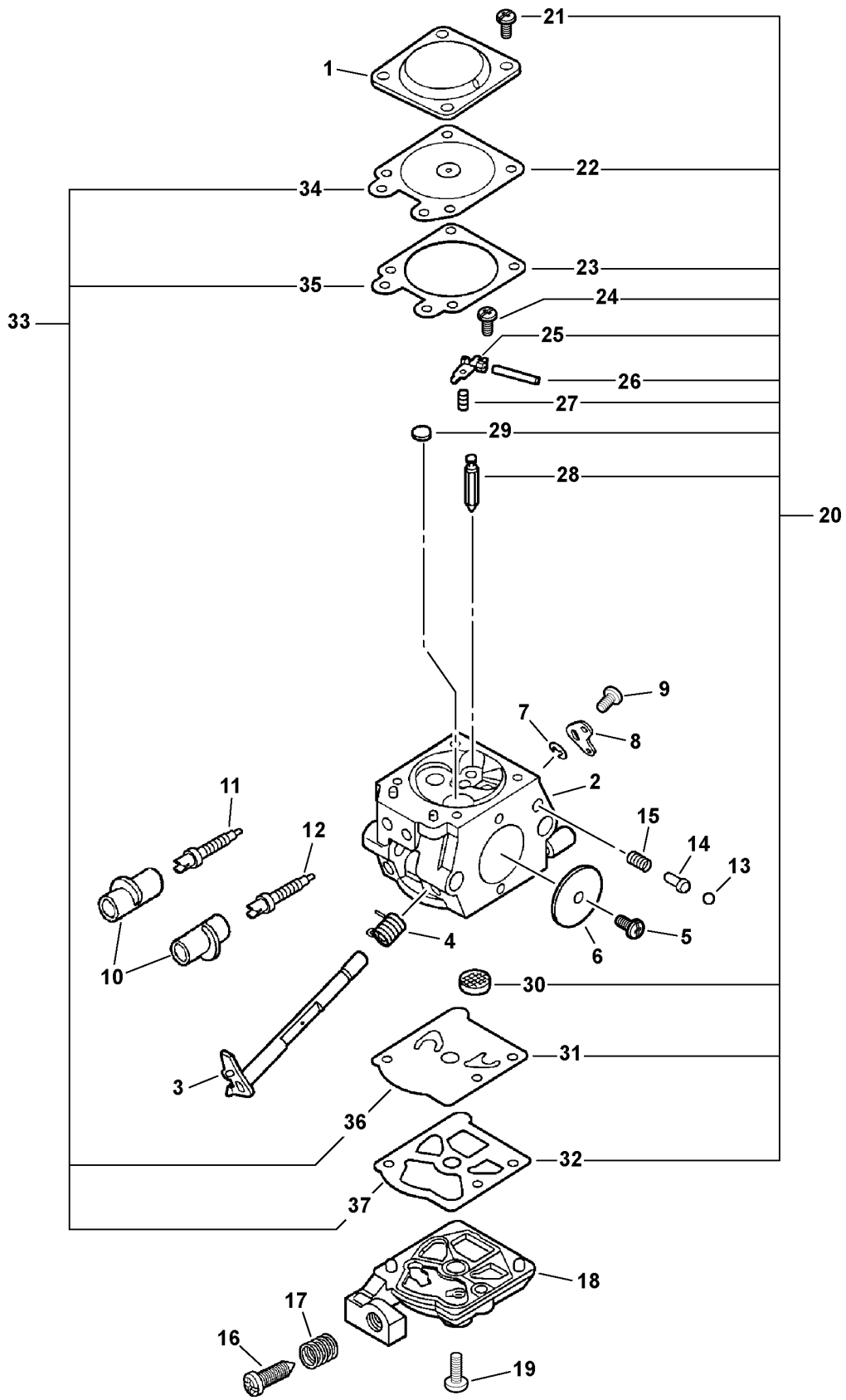
010 0002 000



ITEM	PART NUMBER	QTY	DESCRIPTION	REMARKS
1	13030239136	1	AIR CLEANER COVER ASY	INCLUDES ITEMS 2-3
2	13040613933	1	THUMB BOLT	INCLUDES ITEMS 3
3	90070000004	1	E-RING 4	
4	13031039132	1	FILTER, AIR <sup>1</sup>	
5	90023805045	2	SCREW 5X45	
6	12901139130	1	PLATE, PREVENT	
7	17851539130	1	SHUTTER, CHOKE	
8	17851603930	2	WASHER	
9	A021000761	1	CARBURETOR -- WT-589A	
10	17851039230	1	ROD, CHOKE	
11	V103000021	1	GASKET, INTAKE	
12	90025005018	2	SCREW 5X18	
13	P021000010	1	INSULATOR KIT	
14	V103000120	1	GASKET, INTAKE	
15	13001239131	1	SEAL	
16	17881039630	1	GROMMET, CHOKE	
17	12902339131	1	GROMMET, IDLE	
18	10403439130	1	PLUG	

**Footnotes**

1: Also Included In REPOWER TUNE-UP KIT

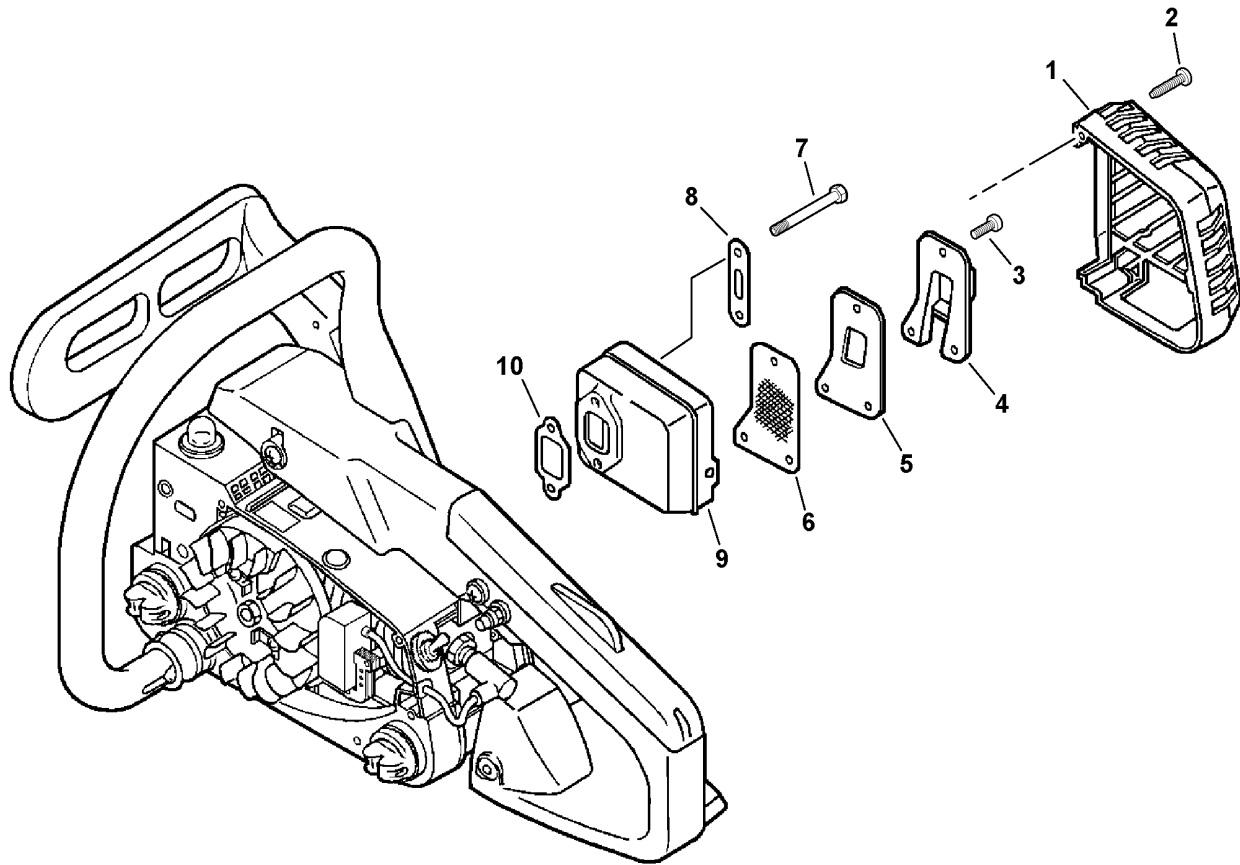


WT589A 0000 761

ITEM	PART NUMBER	QTY	DESCRIPTION	REMARKS
	A021000761	1	CARBURETOR -- WT-589A	
<b>1</b>	12314203930	1	COVER, METERING DIAPHRAGM	
<b>2</b>	-----	1	BODY, CARBURETOR <sup>1</sup>	
<b>3</b>	12311739530	1	SHAFT, THROTTLE	
<b>4</b>	12311347530	1	SPRING, THROTTLE RETURN	
<b>5</b>	12311403930	1	SCREW, THROTTLE VALVE	
<b>6</b>	12311605230	1	VALVE, THROTTLE	
<b>7</b>	12312715030	1	CIRCLIP	
<b>8</b>	12315039230	1	LEVER, THROTTLE	
<b>9</b>	12311403930	1	SCREW, THROTTLE LEVER	
<b>10</b>	P003000010	2	CAP, MIXTURE LIMITER	
<b>11</b>	12312043131	1	NEEDLE - HIGH SPEED	
<b>12</b>	12311839231	1	NEEDLE - LOW SPEED	
<b>13</b>	12313609660	1	BALL	
<b>14</b>	12318509660	1	PISTON ASY	
<b>15</b>	12318609660	1	SPRING, START VALVE	
<b>16</b>	12313419730	1	SCREW, IDLE ADJUST	
<b>17</b>	12313311130	1	SPRING, IDLE ADJUST	
<b>18</b>	12312409320	1	COVER, FUEL PUMP	
<b>19</b>	12311003930	1	SCREW, PUMP COVER	
<b>20</b>	12310037330	1	REPAIR KIT	INCLUDES ITEMS 21-32
<b>21</b>	12313002960	4	SCREW, METERING DIAPHRAGM COVER	
<b>22</b>	-----	1	DIAPHRAGM, METERING	
<b>23</b>	-----	1	GASKET, METERING DIAPHRAGM	
<b>24</b>	-----	1	SCREW, METERING LEVER PIN	
<b>25</b>	-----	1	LEVER, METERING	
<b>26</b>	-----	1	PIN, METERING LEVER	
<b>27</b>	-----	1	SPRING, METERING LEVER	
<b>28</b>	-----	1	VALVE, INLET NEEDLE	
<b>29</b>	-----	1	PLUG, WELCH	
<b>30</b>	-----	1	SCREEN, INLET	
<b>31</b>	-----	1	DIAPHRAGM, FUEL PUMP	
<b>32</b>	-----	1	GASKET, FUEL PUMP	
<b>33</b>	12310105960	1	DIAPHRAGM/GASKET KIT	INCLUDES ITEMS 34-37
<b>34</b>	-----	1	DIAPHRAGM, METERING	
<b>35</b>	-----	1	GASKET, METERING DIAPHRAGM	
<b>36</b>	-----	1	DIAPHRAGM, FUEL PUMP	
<b>37</b>	-----	1	GASKET, FUEL PUMP	

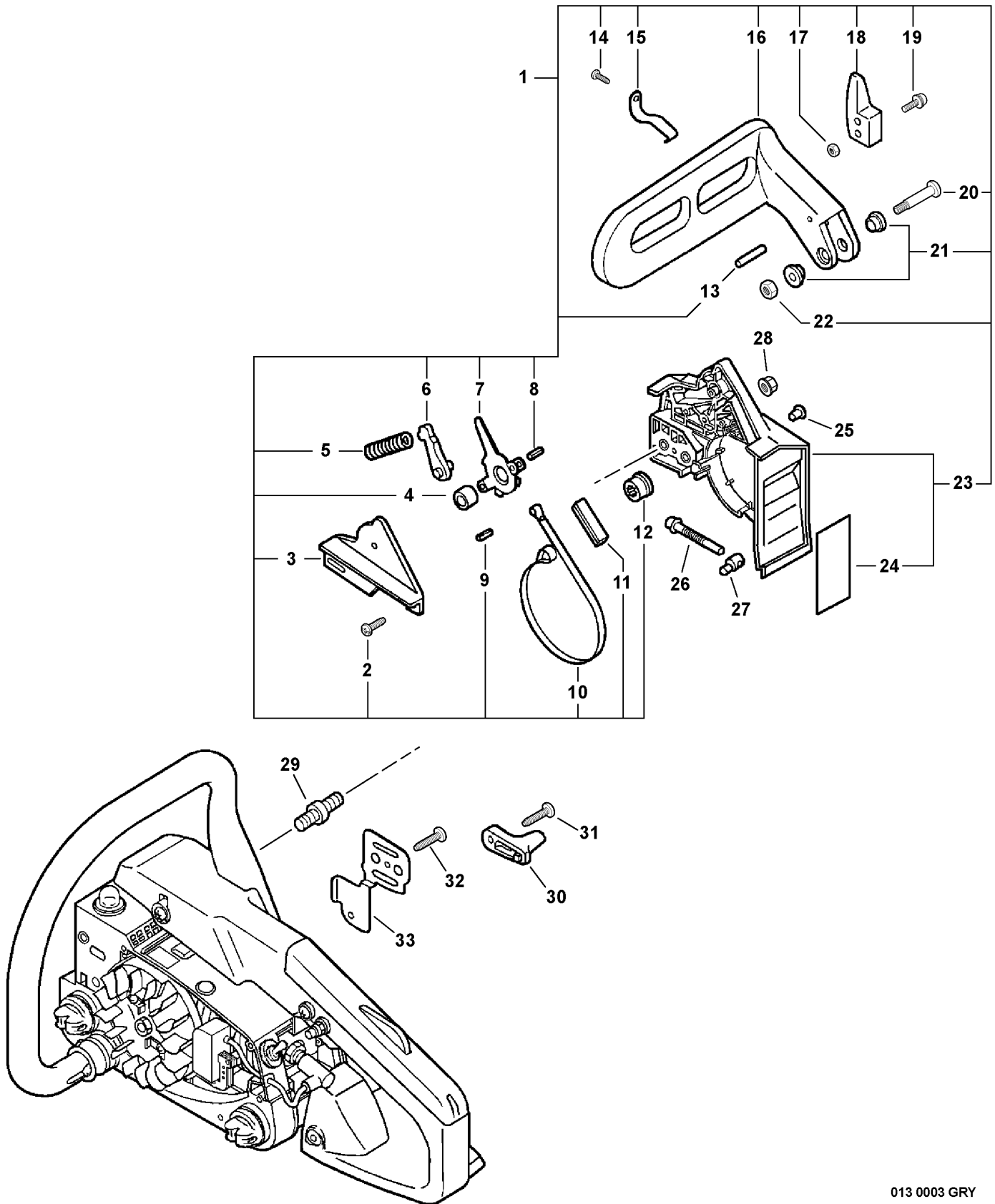
**Footnotes**

**1:** NOT AVAILABLE SEPARATELY



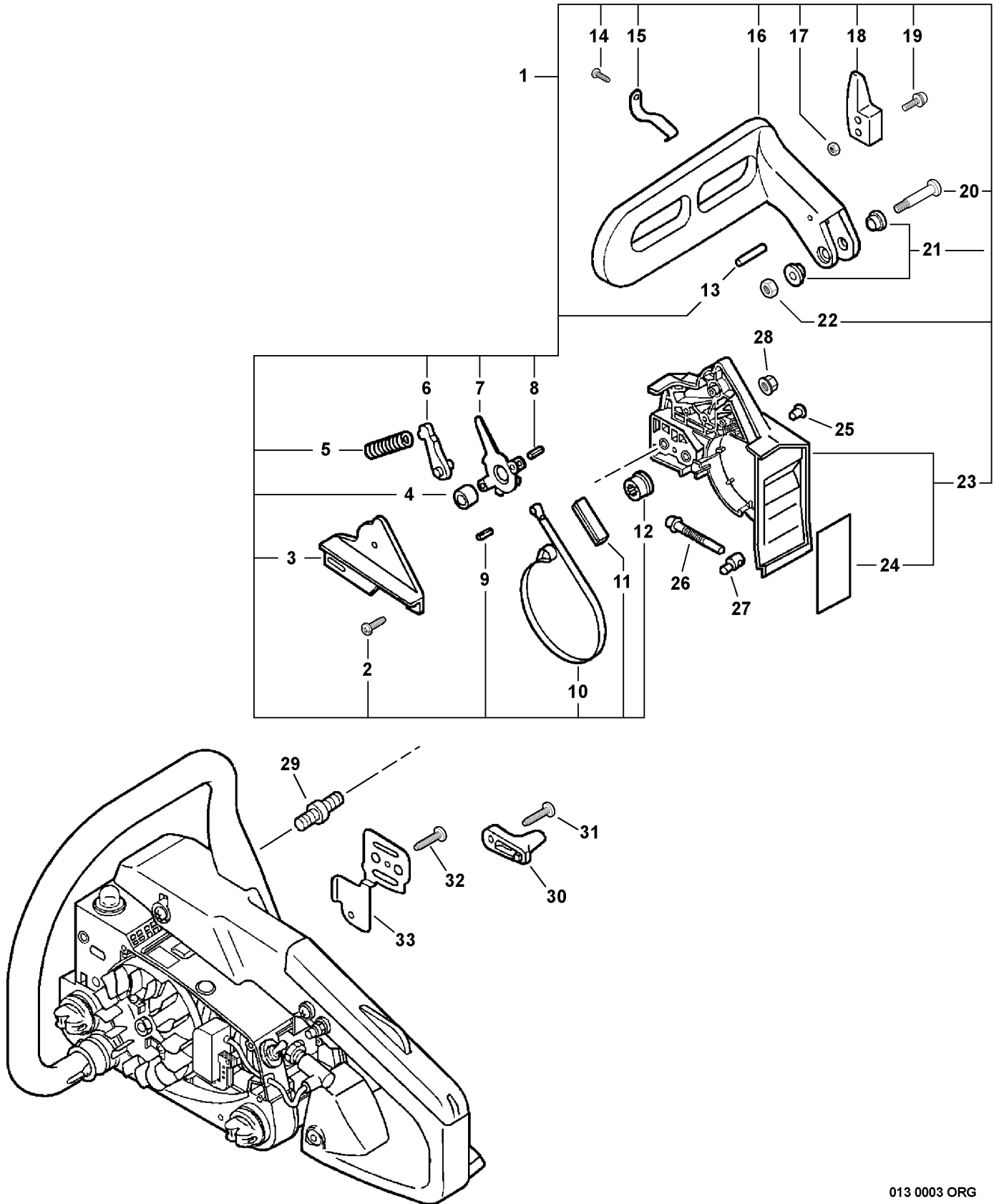
011 0001 000

ITEM	PART NUMBER	QTY	DESCRIPTION	REMARKS
1	A320000033	1	COVER, MUFFLER	
2	90025305020	2	SCREW 5X20	
3	9136704012	3	SCREW 4X12	
4	A303000010	1	GUIDE, EXHAUST	
5	V104000140	1	GASKET, EXHAUST	
6	14586213931	1	SCREEN, MUFFLER	
7	9110705045	2	FLANGE BOLT	
8	14564213930	1	EYE PLATE	
9	A300000120	1	MUFFLER	
10	14551013931	1	GASKET, EXHAUST	



013 0003 GRY

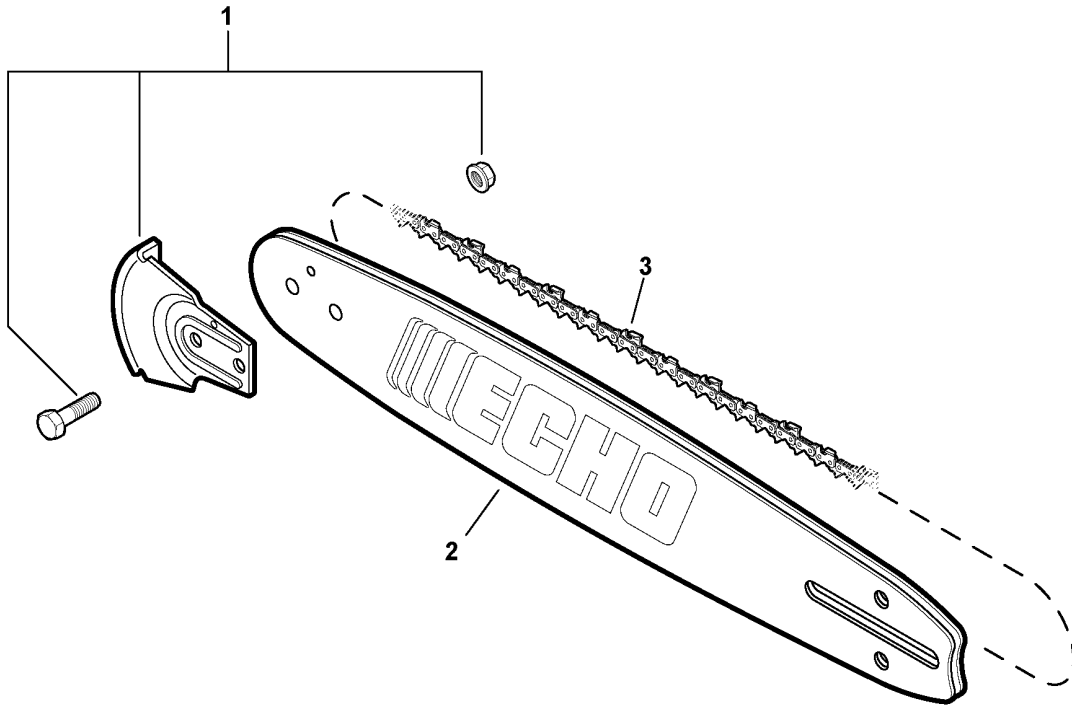
ITEM	PART NUMBER	QTY	DESCRIPTION	REMARKS
1	C032000062	1	CHAIN BRAKE ASY	INCLUDES ITEMS 2-24
2	90025304012	3	SCREW 4X12	
3	43331039530	1	COVER, BRAKE - GRAY	
4	43311635430	1	SPACER 8X12X9	
5	43312235430	1	SPRING, BRAKE	
6	43320935430	1	STOPPER, BRAKE	
7	43320835431	1	CONNECTOR, BRAKE	
8	90033040088	1	ROLLER 4X8.8	
9	90034225012	1	SPRING PIN 2.5X12	
10	43312339530	1	BAND, BRAKE	
11	43331232630	1	COVER, SEAL	
12	43314235430	1	ADJUSTER, BRAKE	
13	90033040238	1	ROLLER, 4X23.8	
14	90025304010	1	SCREW 4X10	
15	43311439130	1	SPRING	
16	43314739430	1	LEVER, BRAKE - ORANGE	
17	90050000004	2	NUT 4	
18	43317139130	1	WEIGHT, BRAKE	
19	90023804022	2	SCREW 4X22	
20	9131805032	1	SCREW 5X32	
21	43316739130	2	SPACER	
22	90056250005	1	FLANGE NUT 5	
23	C300000041	1	GUARD, SPROCKET - GRAY	INCLUDES ITEM 24
24	V341000000	1	DEFLECTOR, HEAT	
25	V162000020	1	PLUG	
26	43301639131	1	SCREW, ADJUSTMENT	
27	43301403931	1	TENSIONER	
28	43301903933	2	FLANGE NUT 6	
29	V224000030	2	STUD, GUIDE BAR	
30	90025305020	1	SCREW 5X20	
31	43302635430	1	CATCHER, CHAIN	
32	90025304010	1	SCREW 4X10	
33	43301239131	1	PLATE, GUIDE	



013 0003 ORG

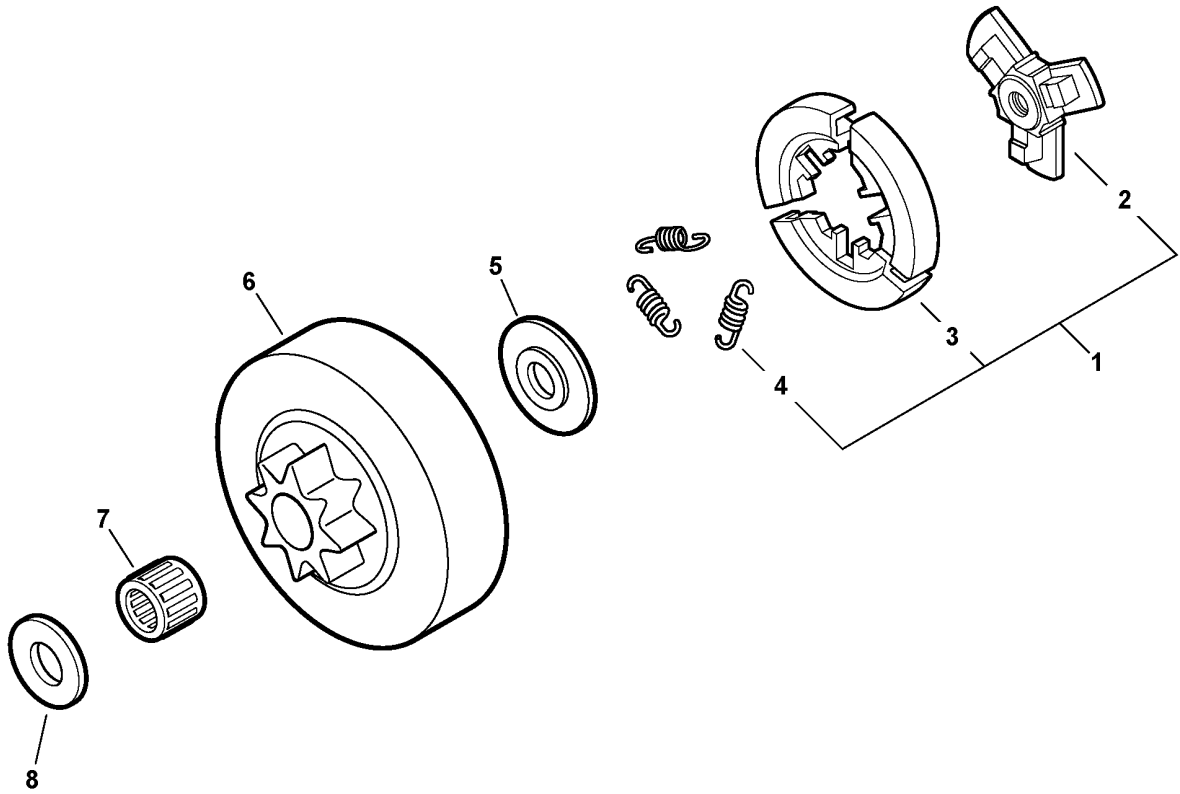


ITEM	PART NUMBER	QTY	DESCRIPTION	REMARKS
1	C032000290	1	CHAIN BRAKE ASY	INCLUDES ITEMS 2-24
2	90025304012	3	SCREW 4X12	
3	C345000230	1	COVER, BRAKE - ORANGE	
4	43311635430	1	SPACER 8X12X9	
5	43312235430	1	SPRING, BRAKE	
6	43320935430	1	STOPPER, BRAKE	
7	43320835431	1	CONNECTOR, BRAKE	
8	90033040088	1	ROLLER 4X8.8	
9	90034225012	1	SPRING PIN 2.5X12	
10	43312339530	1	BAND, BRAKE	
11	43331232630	1	COVER, SEAL	
12	43314235430	1	ADJUSTER, BRAKE	
13	90033040238	1	ROLLER, 4X23.8	
14	90025304010	1	SCREW 4X10	
15	43311439130	1	SPRING	
16	C320000130	1	LEVER, BRAKE - BLACK	
17	90050000004	2	NUT 4	
18	43317139130	1	WEIGHT, BRAKE	
19	90023804022	2	SCREW 4X22	
20	9131805032	1	SCREW 5X32	
21	43316739130	2	SPACER	
22	90056250005	1	FLANGE NUT 5	
23	C300000340	1	GUARD, SPROCKET - ORANGE	INCLUDES ITEM 24
24	V341000000	1	DEFLECTOR, HEAT	
25	V162000020	1	PLUG	
26	43301639131	1	SCREW, ADJUSMENT	
27	43301403931	1	TENSIONER	
28	43301903933	2	FLANGE NUT 6	
29	V224000030	2	STUD, GUIDE BAR	
30	90025305020	1	SCREW 5X20	
31	43302635430	1	CATCHER, CHAIN	
32	90025304010	1	SCREW 4X10	
33	43301239131	1	PLATE, GUIDE	



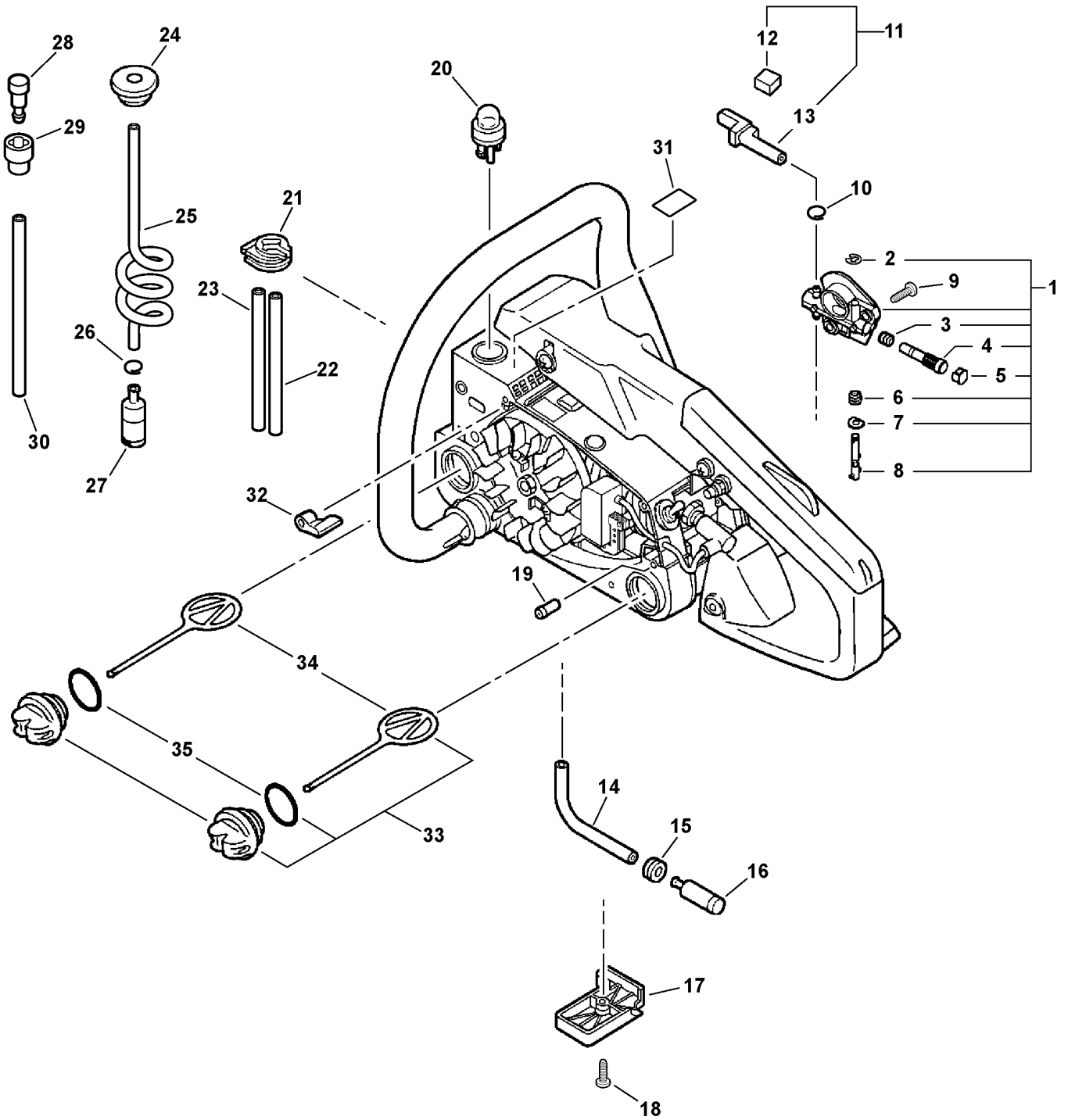
016 0001 000

ITEM	PART NUMBER	QTY	DESCRIPTION	REMARKS
1	2894901	1	KICK GUARD KIT	
2	12A4CD3745	1	GUIDE BAR - 12"	GAUGE: .043"
2	14A4CD3752	1	GUIDE BAR - 14"	GAUGE: .043"
3	90SG45G	1	SAWING CHAIN - 12" -- Micro-Lite	GUAGE: .043" / PITCH: .375"
3	90SG52G	1	SAWING CHAIN - 14" -- Micro-Lite	GUAGE: .043" / PITCH: .375"



014 0002 000

ITEM	PART NUMBER	QTY	DESCRIPTION	REMARKS
1	A056000070	1	CLUTCH ASY	INCLUDES ITEMS 2-4
2	A552000020	1	HUB, CLUTCH	
3	P021005810	1	CLUTCH SHOE SET	
4	V451000470	3	SPRING, CLUTCH	
5	A551000010	1	PLATE, CLUTCH	
6	17500539132	1	DRUM, CLUTCH	
7	17501235630	1	BEARING, NEEDLE	
8	17501439131	1	WASHER	

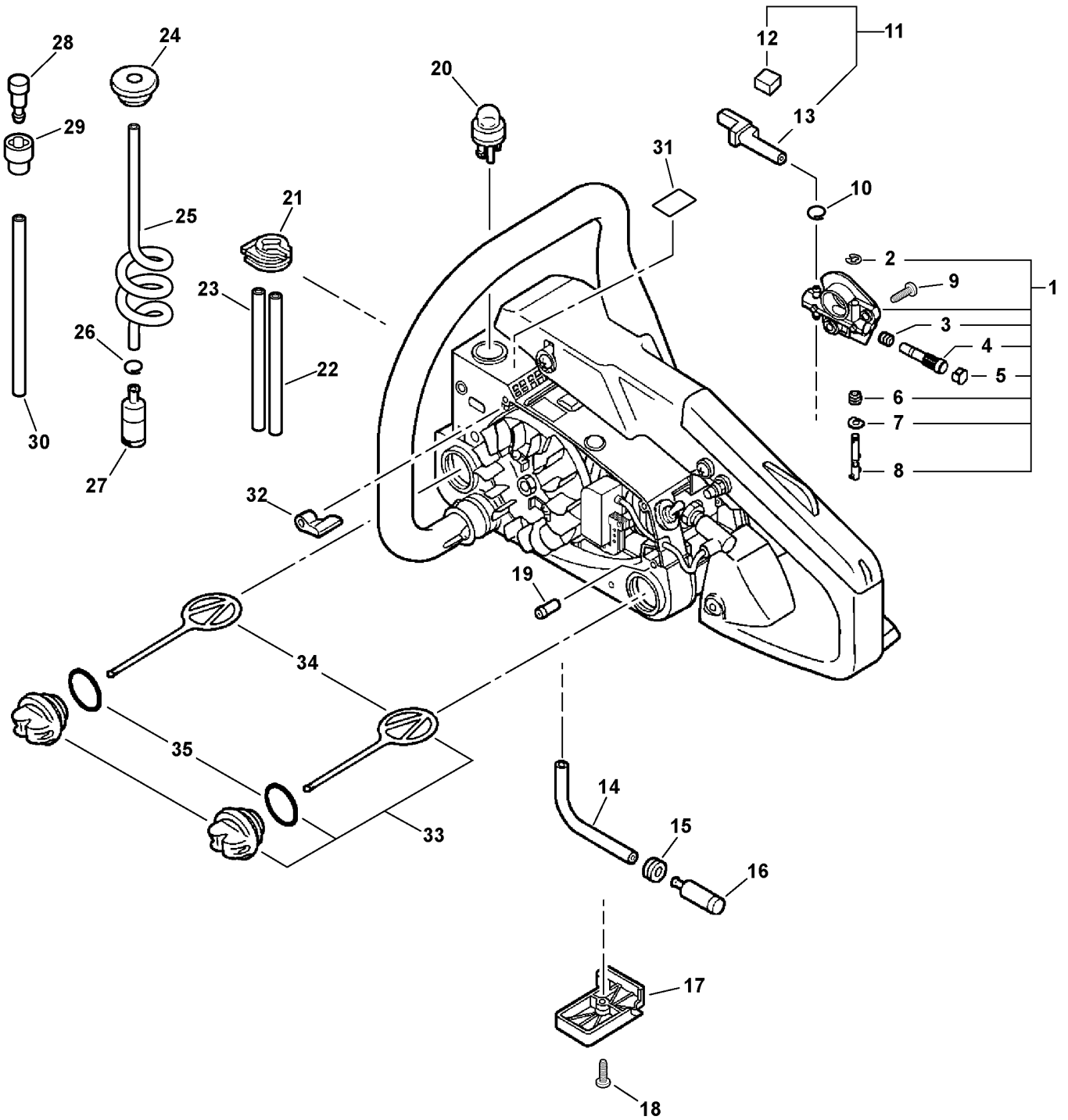


017 0001 GRY

ITEM	PART NUMBER	QTY	DESCRIPTION	REMARKS
1	C022000010	1	AUTO-OILER ASY	INCLUDES ITEMS 1-8
2	12532715130	1	CLIP	
3	P022010660	1	SPRING	
4	P022010650	1	PLUNGER	
5	P022010640	1	CAP, OIL PUMP	
6	P022010670	1	SPRING	
7	43702937330	1	WASHER	
8	P022010680	1	NEEDLE, ADJUST	
9	90023505012	2	SCREW 5X12	
10	13201326630	1	CLIP	
11	43720139131	1	OIL PIPE KIT	INCLUDES ITEM 12
12	43724439130	1	PAD, FOAM	
13	43721139133	1	PIPE, OIL	
14	V471000110	1	PIPE, OIL - 3X6X115mm	REPOWER BULK OPTION: 90015
15	V137000010	1	GROMMET	
16	43620502832	1	STRAINER, OIL	
17	10404439230	1	COVER, BOTTOM - GRAY	
18	90025604016	1	SCREW 4X16	
19	43611413930	1	VALVE, CHECK	
20	12318139130	1	PUMP, PURGE	
21	13275839131	1	BRACKET, PUMP	
22	V471001200	1	PIPE, PURGE - 3X5X70mm	REPOWER BULK OPTION: 90014
23	13271639130	1	PIPE, RETURN - 2X4X42mm	REPOWER BULK OPTION: 90018
24	13211539130	1	GROMMET, FUEL	
25	13201239130	1	PIPE, FUEL - SPIRAL	
26	13201326630	1	CLIP	
27	13120507320	1	FILTER, FUEL <sup>1</sup>	
28	A356000030	1	VENT ASY	
29	13132839130	1	COVER, VENT	
30	13201004920	1	PIPE, VENT - 3X5X150mm	REPOWER BULK OPTION: 90014
31	89016739230	1	LABEL, PURGE PUMP	
32	13033639530	1	PLUG	
33	43600139232	2	CAP ASY - ORANGE	INCLUDES ITEMS 34-35
34	A365000050	2	CONNECTOR, CAP	
35	90072100025	2	O-RING 25	

## Footnotes

1: Also Included In REPOWER TUNE-UP KIT



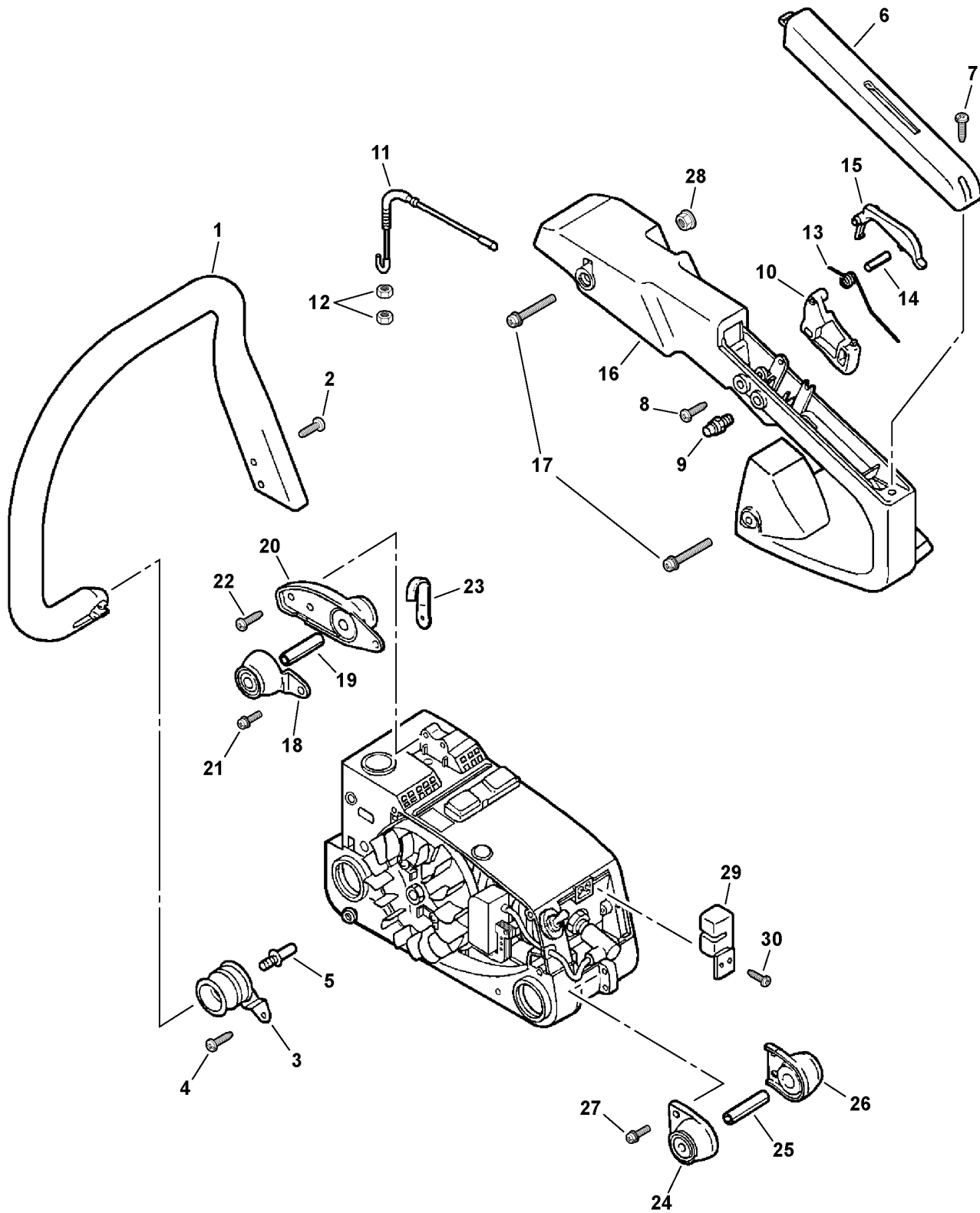
017 0001 ORG



ITEM	PART NUMBER	QTY	DESCRIPTION	REMARKS
1	C022000010	1	AUTO-OILER ASY	INCLUDES ITEMS 1-8
2	12532715130	1	CLIP	
3	P022010660	1	SPRING	
4	P022010650	1	PLUNGER	
5	P022010640	1	CAP, OIL PUMP	
6	P022010670	1	SPRING	
7	43702937330	1	WASHER	
8	P022010680	1	NEEDLE, ADJUST	
9	90023505012	2	SCREW 5X12	
10	13201326630	1	CLIP	
11	43720139131	1	OIL PIPE KIT	INCLUDES ITEM 12
12	43724439130	1	PAD, FOAM	
13	43721139133	1	PIPE, OIL	
14	V471000110	1	PIPE, OIL - 3X6X115mm	REPOWER BULK OPTION: 90015
15	V137000010	1	GROMMET	
16	43620502832	1	STRAINER, OIL	
17	10404439130	1	COVER, BOTTOM - ORANGE	
18	90025604016	1	SCREW 4X16	
19	43611413930	1	VALVE, CHECK	
20	12318139130	1	PUMP, PURGE	
21	13275839131	1	BRACKET, PUMP	
22	V471001200	1	PIPE, PURGE - 3X5X70mm	REPOWER BULK OPTION: 90014
23	13271639130	1	PIPE, RETURN - 2X4X42mm	REPOWER BULK OPTION: 90018
24	13211539130	1	GROMMET, FUEL	
25	13201239130	1	PIPE, FUEL - SPIRAL	
26	13201326630	1	CLIP	
27	13120507320	1	FILTER, FUEL <sup>1</sup>	
28	A356000030	1	VENT ASY	
29	13132839130	1	COVER, VENT	
30	13201004920	1	PIPE, VENT - 3X5X150mm	REPOWER BULK OPTION: 90014
31	89016739230	1	LABEL, PURGE PUMP	
32	13033639530	1	PLUG	
33	P021011590	2	CAP ASY - BLACK	INCLUDES ITEMS 34-35
34	A365000050	2	CONNECTOR, CAP	
35	90072100025	2	O-RING 25	

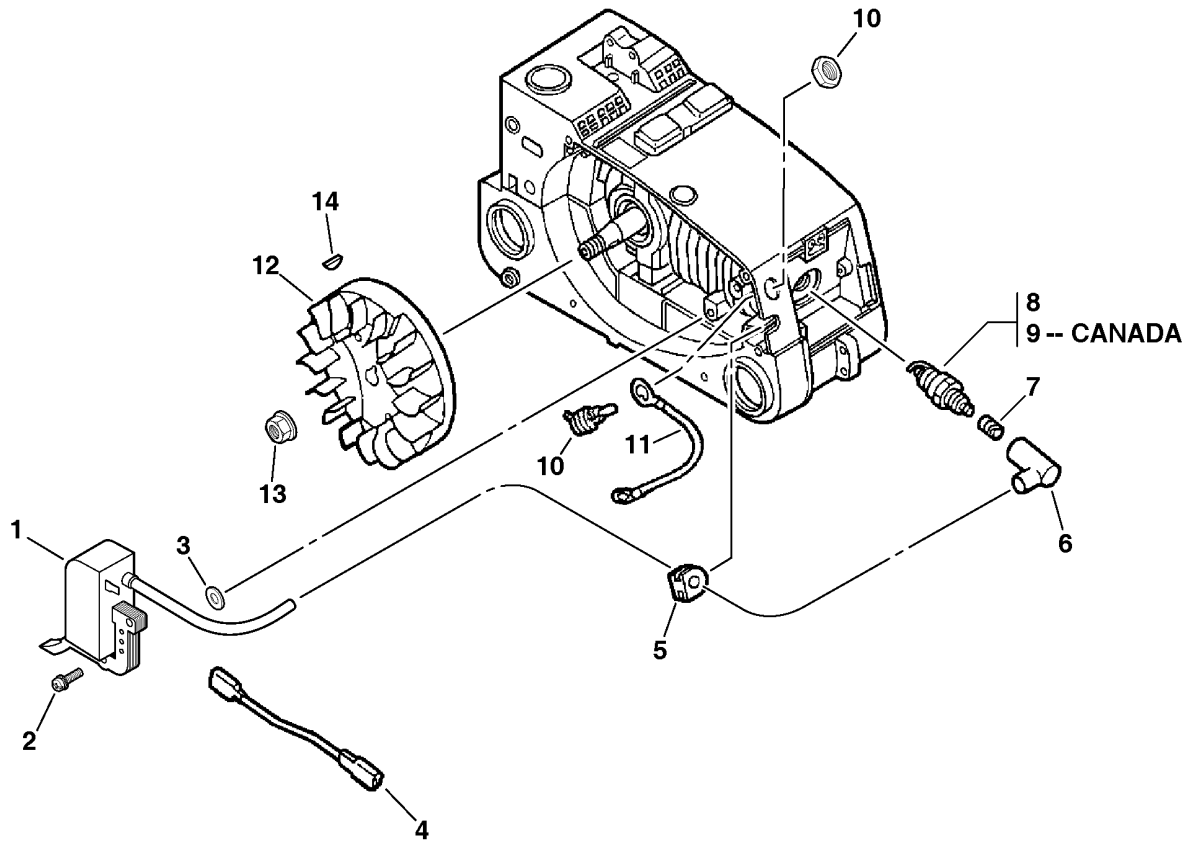
## Footnotes

1: Also Included In REPOWER TUNE-UP KIT



012 0003 000

ITEM	PART NUMBER	QTY	DESCRIPTION	REMARKS
1	35161039430	1	HANDLE, FRONT	
2	90025305020	2	SCREW 5X20	
3	10091035630	1	CUSHION	
4	90025604016	1	SCREW 4X16	
5	10091533930	1	SCREW	
6	35115539430	1	COVER, HANDLE	
7	90025604022	1	SCREW 4X22	
8	90025304025	1	SCREW 4X25	
9	17830237930	1	LATCH, THROTTLE	
10	17801039430	1	CONTROL, THROTTLE	
11	17800139430	1	CABLE, THROTTLE	
12	90050200006	2	NUT 6	
13	17809139430	1	SPRING, THROTTLE LOCKOUT	
14	90033040200	1	ROLLER, 4X19.8	
15	17809039430	1	LOCKOUT, THROTTLE	
16	35111039431	1	HANDLE, REAR	
17	90023805057	2	SCREW 5X57	
18	10091739431	1	CUSHION - UPPER	
19	10092439430	1	COLLAR, 5	
20	10091039430	1	CUSHION - UPPER	
21	90023804010	1	SCREW 4X10	
22	90023804014	2	SCREW 4X14	
23	15911318430	1	CLIP	
24	35162139430	1	CUSHION - LOWER	
25	10092439430	1	COLLAR, 5	
26	35162439430	1	CUSHION - LOWER	
27	90025304014	2	SCREW 4X14	
28	90051600005	2	FLANGE NUT 5	
29	10092139430	1	CUSHION	
30	90023804014	2	SCREW 4X14	

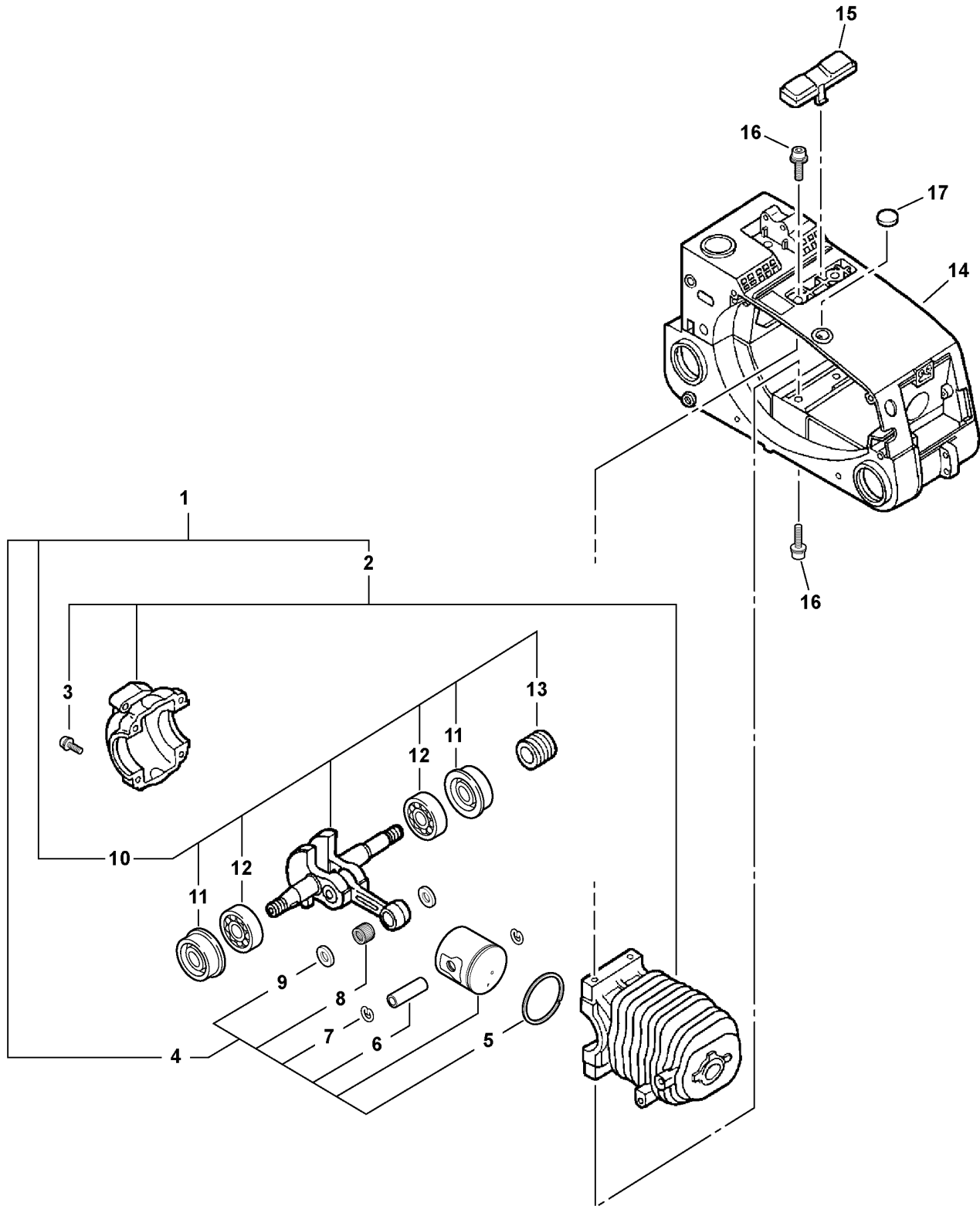


018 0001 000

ITEM	PART NUMBER	QTY	DESCRIPTION	REMARKS
1	A411000150	1	COIL, IGNITION	
2	90023805022	2	SCREW 5X22	
3	15011716430	2	SPACER	
4	16201039431	1	LEAD, IGNITION	
5	15611004920	1	BUSHING	
6	15901201620	1	CAP, SPARK PLUG	
7	15901103432	1	TERMINAL, SPARK PLUG CAP	
8	15901019830	1	SPARK PLUG -- BPM-8Y <sup>1</sup>	US MODELS
9	A425000000	1	SPARK PLUG -- BPMR-8Y <sup>1</sup>	CANADA MODELS
10	16340019830	1	SWITCH, IGNITION	
11	16201039131	1	LEAD, GROUND	
12	15680039233	1	FLYWHEEL	
13	90051500008	1	FLANGE NUT 8	
14	10014239130	1	WOODRUFF KEY	

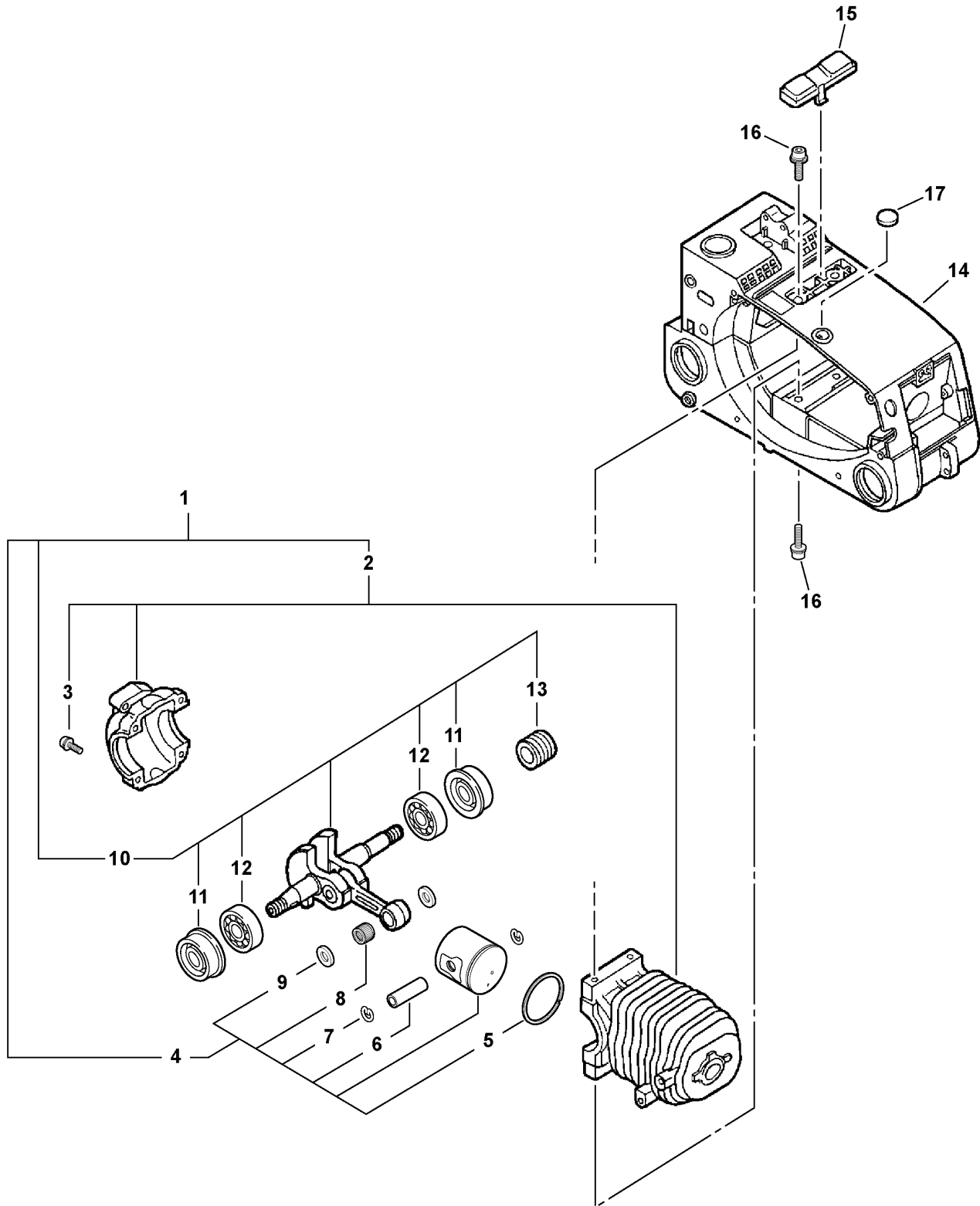
**Footnotes**

**1:** Also Included In REPOWER TUNE-UP KIT



SB1052 0000 GRY

ITEM	PART NUMBER	QTY	DESCRIPTION	REMARKS
1	SB1052	1	SHORT BLOCK	INCLUDES ITEMS 2-13
2	P021002021	1	CRANKCASE SET	INCLUDES ITEM 3
3	90023805025	4	SCREW 5X25	
4	10000039130	1	PISTON KIT	INCLUDES ITEMS 5-9
5	10001146430	1	RING, PISTON	
6	10001315330	1	PIN, PISTON	
7	10001504630	2	CIRCLIP, PISTON PIN	
8	17501203930	1	BEARING, NEEDLE	
9	10001411520	2	SPACER, PISTON PIN	
10	P021007232	1	CRANKSHAFT ASY	INCLUDES ITEMS 11-13
11	V505000010	2	OIL SEAL	
12	9403536201	2	BEARING, BALL - 6201	
13	43706338330	1	GEAR, WORM	
14	A190000021	1	COVER, ENGINE - GRAY	
15	10402939230	1	COVER, TOP - GRAY	
16	9111005016	4	SCREW 5X16	
17	16391139130	1	PLUG	



SB1052 0000 ORG



ITEM	PART NUMBER	QTY	DESCRIPTION	REMARKS
1	SB1052	1	SHORT BLOCK	INCLUDES ITEMS 2-13
2	P021002021	1	CRANKCASE SET	INCLUDES ITEM 3
3	90023805025	4	SCREW 5X25	
4	10000039130	1	PISTON KIT	INCLUDES ITEMS 5-9
5	10001146430	1	RING, PISTON	
6	10001315330	1	PIN, PISTON	
7	10001504630	2	CIRCLIP, PISTON PIN	
8	17501203930	1	BEARING, NEEDLE	
9	10001411520	2	SPACER, PISTON PIN	
10	P021007232	1	CRANKSHAFT ASY	INCLUDES ITEMS 11-13
11	V505000010	2	OIL SEAL	
12	9403536201	2	BEARING, BALL - 6201	
13	43706338330	1	GEAR, WORM	
14	A190000640	1	COVER, ENGINE - ORANGE	
15	10402939130	1	COVER, TOP - ORANGE	
16	9111005016	4	SCREW 5X16	
17	16391139130	1	PLUG	

REPLACEMENT BAR AND CHAIN REPLACEMENT DU GUIDE ET DE LA CHAÎNE			
GUIDE BAR	CHAIN		
PART NO.	TYPE	LINKS	
12" 12A4CD3745	OREGON 90SG	45	
14" 14A4CD3752	OREGON 90SG	52	

Note: There may be other replacement components for achieving kickback protection. For details, please refer to the bar and chain combination sheet shown in the instruction manual.  
REMARQUE: Il y peut y avoir d'autres composants de remplacement qui protègent en cas de rebondissement. Pour plus de détails se référer à la feuille sur les combinaisons de guide et de chaîne du manuel de l'utilisateur.

**CS-306**

**TO AVOID KICKBACK**

- Contact of the guide bar tip with any object should be avoided.
- Tip contact may cause the guide bar to move suddenly upward and backward which may cause serious injury.
- Always use two hands when operating chain saw.

**POUR ÉVITER LES REBONDISSEMENTS**

- Éviter tout contact entre le nez du guide-chaîne et un objet quelconque.
- Tout contact du nez peut provoquer un mouvement brusque vers le haut ou vers le bas et en arrière de grande violence.
- Toujours employer les deux mains pour opérer la scie à chaîne.

**PURGE PUMP**

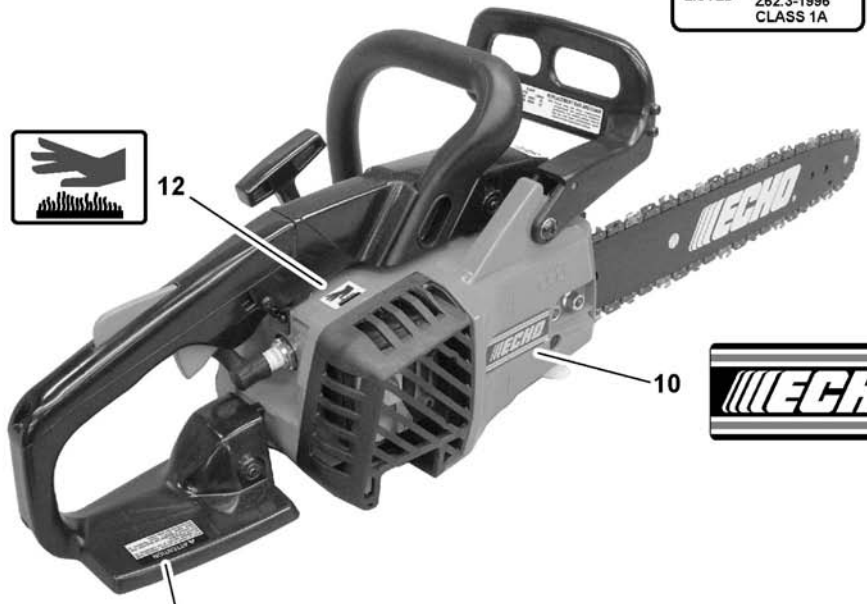


**CAUTION/ATTENTION**  
Hearing protectors meeting the requirements of CSA Standard Z94.2 should be worn.  
Les protecteurs auditifs pouvant être portés doivent rencontrer les normes CSA Standard Z94.2.

**CAUTION!!**  
For safe operation follow all safety precautions and instructions in operator's manuals. (Replacement manuals are available from your ECHO dealer.)  
Hold chain saw firmly with both hands.

**UL LISTED**  
CHAIN SAW  
E7C1  
262.1-2003  
262.3-1996  
CLASS 1A

**STOP**



**ATTENTION**  
Pour un travail en sécurité, respectez tous les règlements de sécurité et les indications du manuel d'utilisation.  
Le manuel d'utilisation est disponible chez votre agent ECHO. Tenez fermement la tronçonneuse des deux mains.

**WARNING**  
Chain brake must be unlocked before removing or installing clutch cover. Improper installation can result in serious injury and cause severe damage to saw.  
La fobortis nisi ut aliquip ex. elit, sed nonummy neusmod tincidunt ut laoreet doloremagna aliquam erat volutpat. Ut wisi enim ad minim veniam, quis nostrud exerci tation ullamcorperquis nostrud exercic.



100 0009 CAN

ITEM	PART NUMBER	QTY	DESCRIPTION	REMARKS
1	X524001701	1	LABEL - BAR & CHAIN	
2	X503001480	1	LABEL - MODEL -- CS-306	
3	89035339530	1	LABEL - WARNING -- KICKBACK	
4	X532000720	1	LABEL - SPARK PLUG -- BPMR-8Y	
5	89015737330	1	LABEL - STOP	
6	89035559533	1	LABEL - WARNING	
7	89017639431	1	LABEL - NOISE	
8	89011849330	1	LABEL - ECHO	
9	89016739230	1	LABEL - PURGE PIMP	
10	X502000290	1	LABEL - ECHO	
11	89032439630	1	LABEL - WARNING -- FRENCH	
12	89016006361	1	LABEL - CAUTION -- HOT	
13	X505002070	1	LABEL - WARNING -- CHAINBRAKE	

<b>RePower Tune-Up Kit</b>	<b>Contains: Service Number</b>	<b>Description</b>
90076C	13031039132	AIR FILTER
	13120507320	FUEL FILTER
	A425000000	SPARK PLUG -- BPMP-8Y

---

<u>ITEM</u>	<u>PART NUMBER</u>	<u>QTY</u>	<u>DESCRIPTION</u>	<u>REMARKS</u>
1	90076C	1	TUNE-UP KIT	

---

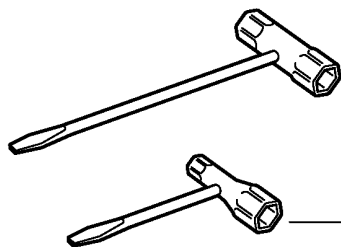
**SOCKET WRENCH W/SCREWDRIVER (Also Removes Spark Plugs)**

1 - 89541010630 -- 17X19mm

2 - X602000020 -- 17X19mm

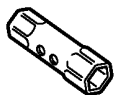
3 - 89541039131 -- 10X19mm

4 - 89541006960 -- 13X19mm



**SOCKET WRENCH**

5 - X602000031 -- 17X14.5mm



**LOCKING BAR**

6 - 89751801131 -- 5X120mm



**OPEN END WRENCH**

7 - 89511200330 -- 8X10mm

8 - 89512220960 -- 17X19mm



9 - 89501505260 -- 10mm



**HEX BAR**

10 - 89541220960 -- 10mm



**HEX KEY**

11 - 89561203430 -- 3mm



12 - 89561000130 -- 4mm



13 - 89561100330 -- 5mm



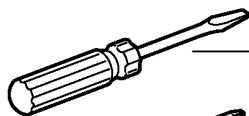
**TORX KEY**

14 - X605000060 -- T27

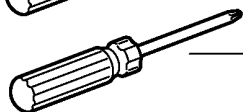


**SCREWDRIVER**

15 - 89581100130 -- 125mm SLOTTED

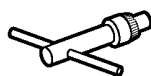


16 - 89581203930 -- 50mm PHILLIPS



**CHUCK KEY**

17 - 89757005560



**Consult Your Operators Manual For The Tools Used With Your Model**

200 0002 000

ITEM	PART NUMBER	QTY	DESCRIPTION	REMARKS
1	89541010630	1	SOCKET WRENCH/SCREWDRIVER	17X19mm
2	X602000020	1	SOCKET WRENCH/SCREWDRIVER	17X19mm
3	89541039131	1	SOCKET WRENCH/SCREWDRIVER	10X19mm
4	89541006960	1	SOCKET WRENCH/SCREWDRIVER	13X19mm
5	X602000031	1	SOCKET WRENCH	17X14.5mm
6	89751801131	1	LOCKING BAR	5X120mm
7	89511200330	1	OPEN END WRENCH	8X10mm
8	89512220960	1	OPEN END WRENCH	17X19mm
9	89501505260	1	OPEN END WRENCH	10mm
10	89541220960	1	HEX BAR	10mm
11	89561203430	1	HEX KEY	3mm
12	89561000130	1	HEX KEY	4mm
13	89561100330	1	HEX KEY	5mm
14	X605000060	1	TORX KEY	T27
15	89581100130	1	SCREWDRIVER	SLOTTED HEAD
16	89581203930	1	SCREWDRIVER	PHILLIPS HEAD
17	89757005560	1	CHUCK KEY	



# Part Number Index

Click The Page Number After Any Part Number To View The Diagram Containing That Part.

Part Number	Page	Part Number	Page	Part Number	Page	Part Number	Page
-----	11	17501235630	21	89757005560	39	P022010680	23, 25
10000039130	31, 33	17501439131	21	90021605012	5, 7	SB1052	31, 33
10001146430	31, 33	17720039631	5	90023505012	23, 25	V103000021	9
10001315330	31, 33	17721404630	5, 7	90023804010	27	V103000120	9
10001411520	31, 33	17722039630	5, 7	90023804014	27	V104000140	13
10001504630	31, 33	17722139630	5, 7	90023804022	15, 17	V137000010	23, 25
10014239130	29	17722606530	5, 7	90023805022	29	V162000020	15, 17
10091035630	27	17722739131	5, 7	90023805025	31, 33	V224000030	15, 17
10091039430	27	17722835430	5, 7	90023805045	9	V341000000	15, 17
10091533930	27	17723239630	5	90023805057	27	V451000470	21
10091739431	27	17723435430	5, 7	90025005018	9	V471000110	23, 25
10092139430	27	17724704630	5, 7	90025304010	15, 17	V471001200	23, 25
10092439430	27	17800139430	27	90025304012	15, 17	V505000010	31, 33
10153439530	5, 7	17801039430	27	90025304014	5, 7, 27	X502000290	35
10402939130	33	17809039430	27	90025304025	27	X503001480	35
10402939230	31	17809139430	27	90025305020	13, 15, 17, 27	X505002070	35
10403439130	9	17830237930	27	90025604016	5, 7, 23, 25, 27	X524001701	35
10404439130	25	17851039230	9	90025604022	27	X532000720	35
10404439230	23	17851539130	9	90029603014	5, 7	X602000020	39
12310037330	11	17851603930	9	90033040088	15, 17	X602000031	39
12310105960	11	17881039630	9	90033040200	27	X605000060	39
12311003930	11	2894901	19	90033040238	15, 17		
12311347530	11	35111039431	27	90034225012	15, 17		
12311403930	11	35115539430	27	90050000004	15, 17		
12311605230	11	35161039430	27	90050200006	27		
12311739530	11	35162139430	27	90051500008	29		
12311839231	11	35162439430	27	90051600005	27		
12312043131	11	43301239131	15, 17	90056250005	15, 17		
12312409320	11	43301403931	15, 17	90060300005	5, 7		
12312715030	11	43301639131	15, 17	90070000004	9		
12313002960	11	43301903933	15, 17	90072100025	23, 25		
12313311130	11	43302635430	15, 17	90076C	37		
12313419730	11	43311439130	15, 17	90SG45G	19		
12313609660	11	43311635430	15, 17	90SG52G	19		
12314203930	11	43312235430	15, 17	9110705045	13		
12315039230	11	43312339530	15, 17	9111005016	31, 33		
12318139130	23, 25	43314235430	15, 17	9131805032	15, 17		
12318509660	11	43314739430	15	9136704012	13		
12318609660	11	43316739130	15, 17	9403536201	31, 33		
12532715130	23, 25	43317139130	15, 17	A021000761	9, 11		
12901139130	9	43320835431	15, 17	A056000070	21		
12902339131	9	43320935430	15, 17	A190000021	31		
12A4CD3745	19	43331039530	15	A190000640	33		
13001239131	9	43331232630	15, 17	A300000120	13		
13030239136	9	43600139232	23	A303000010	13		
13031039132	9	43611413930	23, 25	A320000033	13		
13033639530	23, 25	43620502832	23, 25	A356000030	23, 25		
13040613933	9	43702937330	23, 25	A365000050	23, 25		
13120507320	23, 25	43706338330	31, 33	A411000150	29		
13132839130	23, 25	43720139131	23, 25	A425000000	29		
13201004920	23, 25	43721139133	23, 25	A500000460	7		
13201239130	23, 25	43724439130	23, 25	A506000090	5, 7		
13201326630	23, 25	89011849330	7, 35	A514000000	5, 7		
13211539130	23, 25	89015737330	35	A551000010	21		
13271639130	23, 25	89016006361	35	A552000020	21		
13275839131	23, 25	89016739230	23, 25, 35	C022000010	23, 25		
14551013931	13	89017639431	35	C032000062	15		
14564213930	13	89032439630	35	C032000290	17		
14586213931	13	89035339530	35	C300000041	15		
14A4CD3752	19	89035559533	35	C300000340	17		
15011716430	29	89501505260	39	C320000130	17		
15611004920	29	89511200330	39	C345000230	17		
15680039233	29	89512220960	39	P003000010	11		
15901019830	29	89541006960	39	P021000010	9		
15901103432	29	89541010630	39	P021002021	31, 33		
15901201620	29	89541039131	39	P021005810	21		
15911318430	27	89541220960	39	P021007232	31, 33		
16201039131	29	89561000130	39	P021011560	7		
16201039431	29	89561100330	39	P021011590	25		
16340019830	29	89561203430	39	P022010640	23, 25		
16391139130	31, 33	89581100130	39	P022010650	23, 25		
17500539132	21	89581203930	39	P022010660	23, 25		
17501203930	31, 33	89751801131	39	P022010670	23, 25		





# Part Description Index

Click The Page Number After Any Part Description To View The Diagram Containing That Part.

## A

ADJUSTER, BRAKE.....15, 17  
 AIR CLEANER COVER ASY.....9  
 AUTO-OILER ASY.....23, 25

## B

BALL.....11  
 BAND, BRAKE.....15, 17  
 BEARING, BALL - 6201.....31, 33  
 BEARING, NEEDLE.....21, 31, 33  
 BODY, CARBURETOR.....11  
 BRACKET, PUMP.....23, 25  
 BUSHING.....29

## C

CABLE, THROTTLE.....27  
 CAP ASY - BLACK.....25  
 CAP ASY - ORANGE.....23  
 CAP, MIXTURE LIMITER.....11  
 CAP, OIL PUMP.....23, 25  
 CAP, SPARK PLUG.....29  
 CARBURETOR -- WT-589A.....9, 11  
 CATCHER, CHAIN.....15, 17  
 CHAIN BRAKE ASY.....15, 17  
 CHUCK KEY.....39  
 CIRCLIP.....11  
 CIRCLIP, PISTON PIN.....31, 33  
 CLIP.....23, 25, 27  
 CLUTCH ASY.....21  
 CLUTCH SHOE SET.....21  
 COIL, IGNITION.....29  
 COLLAR, 5.....27  
 CONNECTOR, CAP.....23, 25  
 CONNECTOR, BRAKE.....15, 17  
 CONTROL, THROTTLE.....27  
 COVER, BOTTOM - GRAY.....23  
 COVER, BOTTOM - ORANGE.....25  
 COVER, BRAKE - GRAY.....15  
 COVER, BRAKE - ORANGE.....17  
 COVER, ENGINE - GRAY.....31  
 COVER, ENGINE - ORANGE.....33  
 COVER, FUEL PUMP.....11  
 COVER, HANDLE.....27  
 COVER, METERING DIAPHRAGM.....11  
 COVER, MUFFLER.....13  
 COVER, SEAL.....15, 17  
 COVER, TOP - GRAY.....31  
 COVER, TOP - ORANGE.....33  
 COVER, VENT.....23, 25  
 CRANKCASE SET.....31, 33  
 CRANKSHAFT ASY.....31, 33  
 CUSHION.....27  
 CUSHION - LOWER.....27  
 CUSHION - UPPER.....27

## D

DEFLECTOR, HEAT.....15, 17  
 DIAPHRAGM, FUEL PUMP.....11  
 DIAPHRAGM, METERING.....11  
 DIAPHRAGM/GASKET KIT.....11  
 DRUM, CLUTCH.....21

## E

E-RING 4.....9  
 EYE PLATE.....13

## F

FILTER, AIR.....9  
 FILTER, FUEL.....23, 25  
 FLANGE BOLT.....13  
 FLANGE NUT 5.....15, 17, 27  
 FLANGE NUT 6.....15, 17  
 FLANGE NUT 8.....29  
 FLYWHEEL.....29

## G

GASKET, EXHAUST.....13  
 GASKET, FUEL PUMP.....11  
 GASKET, INTAKE.....9  
 GASKET, METERING DIAPHRAGM.....11  
 GEAR, WORM.....31, 33  
 GRIP, STARTER.....5, 7  
 GROMMET.....23, 25  
 GROMMET, CHOKE.....9  
 GROMMET, FUEL.....23, 25  
 GROMMET, IDLE.....9  
 GUARD, SPROCKET - GRAY.....15  
 GUARD, SPROCKET - ORANGE.....17  
 GUIDE BAR - 12".....19  
 GUIDE BAR - 14".....19  
 GUIDE, EXHAUST.....13  
 GUIDE, ROPE.....5, 7

## H

HANDLE, FRONT.....27  
 HANDLE, REAR.....27  
 HEX BAR.....39  
 HEX KEY.....39  
 HOUSING, STARTER - GRAY.....5  
 HOUSING, STARTER - ORANGE.....7  
 HUB, CLUTCH.....21

## I

INSULATOR KIT.....9

## K

KICK GUARD KIT.....19

## L

LABEL - BAR & CHAIN.....35  
 LABEL - CAUTION -- HOT.....35  
 LABEL - ECHO.....7, 35  
 LABEL - MODEL -- CS-306.....35  
 LABEL - NOISE.....35  
 LABEL - PURGE PIMP.....35  
 LABEL - SPARK PLUG -- BPMR-8Y.....35  
 LABEL - STOP.....35  
 LABEL - WARNING.....35  
 LABEL - WARNING -- CHAINBRAKE.....35  
 LABEL - WARNING -- FRENCH.....35  
 LABEL - WARNING -- KICKBACK.....35  
 LABEL, PURGE PUMP.....23, 25  
 LATCH, THROTTLE.....27  
 LEAD, GROUND.....29

LEAD, IGNITION.....29  
 LEVER, BRAKE - BLACK.....17  
 LEVER, BRAKE - ORANGE.....15  
 LEVER, METERING.....11  
 LEVER, THROTTLE.....11  
 LOCKING BAR.....39  
 LOCKOUT, THROTTLE.....27

## M

MUFFLER.....13

## N

NEEDLE - HIGH SPEED.....11  
 NEEDLE - LOW SPEED.....11  
 NEEDLE, ADJUST.....23, 25  
 NUT 4.....15, 17  
 NUT 6.....27

## O

OIL PIPE KIT.....23, 25  
 OIL SEAL.....31, 33  
 OPEN END WRENCH.....39  
 O-RING 25.....23, 25

## P

PAD, FOAM.....23, 25  
 PAWL, STARTER.....5, 7  
 PIN, METERING LEVER.....11  
 PIN, PISTON.....31, 33  
 PIPE, FUEL - SPIRAL.....23, 25  
 PIPE, OIL.....23, 25  
 PIPE, OIL - 3X6X115mm.....23, 25  
 PIPE, PURGE - 3X5X70mm.....23, 25  
 PIPE, RETURN - 2X4X42mm.....23, 25  
 PIPE, VENT - 3X5X150mm.....23, 25  
 PISTON ASY.....11  
 PISTON KIT.....31, 33  
 PLATE, CLUTCH.....21  
 PLATE, GUIDE.....5, 7, 15, 17  
 PLATE, PREVENT.....9  
 PLATE, STARTER.....5, 7  
 PLUG.....9, 15, 17, 23, 25, 31, 33  
 PLUG, WELCH.....11  
 PLUNGER.....23, 25  
 PUMP, PURGE.....23, 25

## R

REEL, ROPE.....5, 7  
 REPAIR KIT.....11  
 RING, PISTON.....31, 33  
 ROD, CHOKE.....9  
 ROLLER 4X8.8.....15, 17  
 ROLLER, 4X19.8.....27  
 ROLLER, 4X23.8.....15, 17  
 ROPE, STARTER - 3.5X 1000mm.....5, 7

## S

SAWING CHAIN - 12" -- Micro-Lite.....19  
 SAWING CHAIN - 14" -- Micro-Lite.....19  
 SCREEN, INLET.....11  
 SCREEN, MUFFLER.....13  
 SCREW.....27  
 SCREW 3X14.....5, 7



# Part Description Index (continued)

SCREW 4X10.....15, 17, 27  
 SCREW 4X12.....13, 15, 17  
 SCREW 4X14.....5, 7, 27  
 SCREW 4X16.....5, 7, 23, 25, 27  
 SCREW 4X22.....15, 17, 27  
 SCREW 4X25.....27  
 SCREW 5X12.....5, 7, 23, 25  
 SCREW 5X16.....31, 33  
 SCREW 5X18.....9  
 SCREW 5X20.....13, 15, 17, 27  
 SCREW 5X22.....29  
 SCREW 5X25.....31, 33  
 SCREW 5X32.....15, 17  
 SCREW 5X45.....9  
 SCREW 5X57.....27  
 SCREW, ADJUSTMENT.....15, 17  
 SCREW, IDLE ADJUST.....11  
 SCREW, METERING DIAPHRAGM COVER.....  
 11  
 SCREW, METERING LEVER PIN.....11  
 SCREW, PUMP COVER.....11  
 SCREW, THROTTLE LEVER.....11  
 SCREW, THROTTLE VALVE.....11  
 SCREWDRIVER.....39  
 SEAL.....9  
 SHAFT, THROTTLE.....11  
 SHORT BLOCK.....31, 33  
 SHUTTER, CHOKE.....9  
 SOCKET WRENCH.....39  
 SOCKET WRENCH/SCREWDRIVER.....39  
 SPACER.....5, 7, 15, 17, 29  
 SPACER 8X12X9.....15, 17  
 SPACER, PISTON PIN.....31, 33  
 SPARK PLUG -- BPM-8Y.....29  
 SPARK PLUG -- BPMR-8Y.....29  
 SPRING.....15, 17, 23, 25  
 SPRING PIN 2.5X12.....15, 17  
 SPRING, BRAKE.....15, 17  
 SPRING, CLUTCH.....21  
 SPRING, IDLE ADJUST.....11  
 SPRING, METERING LEVER.....11  
 SPRING, RETURN.....5, 7  
 SPRING, REWIND.....5, 7  
 SPRING, START VALVE.....11  
 SPRING, THROTTLE LOCKOUT.....27  
 SPRING, THROTTLE RETURN.....11  
 STARTER ASY.....5, 7  
 STOPPER, BRAKE.....15, 17  
 STRAINER, OIL.....23, 25  
 STUD, GUIDE BAR.....15, 17  
 SWITCH, IGNITION.....29

## T

TENSIONER.....15, 17  
 TERMINAL, SPARK PLUG CAP.....29  
 THUMB BOLT.....9  
 TORX KEY.....39  
 TUNE-UP KIT.....37

## V

VALVE, CHECK.....23, 25  
 VALVE, INLET NEEDLE.....11  
 VALVE, THROTTLE.....11  
 VENT ASY.....23, 25

## W

WASHER.....5, 7, 9, 21, 23, 25

## ***NOTES***



ECHO, INCORPORATED  
400 Oakwood Road  
Lake Zurich, IL 60047 USA

[WWW.ECHO-USA.COM](http://WWW.ECHO-USA.COM)

---