



OPTIONAL ATTACHMENTS & ACCESSORIES

Accessories

103942147 CS Carry Bag

Guide Bars

12A4CD3745 Guide Bar - 12" (.043" Ga)

14A4CD3752 Guide Bar - 14" (.043" Ga)

Sawing Chains

90SG45G Sawing Chain - 12" (.043" Ga) -- Micro-Lite

90SG52G Sawing Chain - 14" (.043" Ga) -- Micro-Lite

PARTS CATALOG
CS-306 Chain Saw

30.1cc (CALIFORNIA ONLY)

SERIAL NUMBERS

S/N: C07511001001 - C07511999999

ECHO, INCORPORATED

400 Oakwood Road Lake Zurich, Illinois 60047 USA

WWW.ECHO-USA.COM



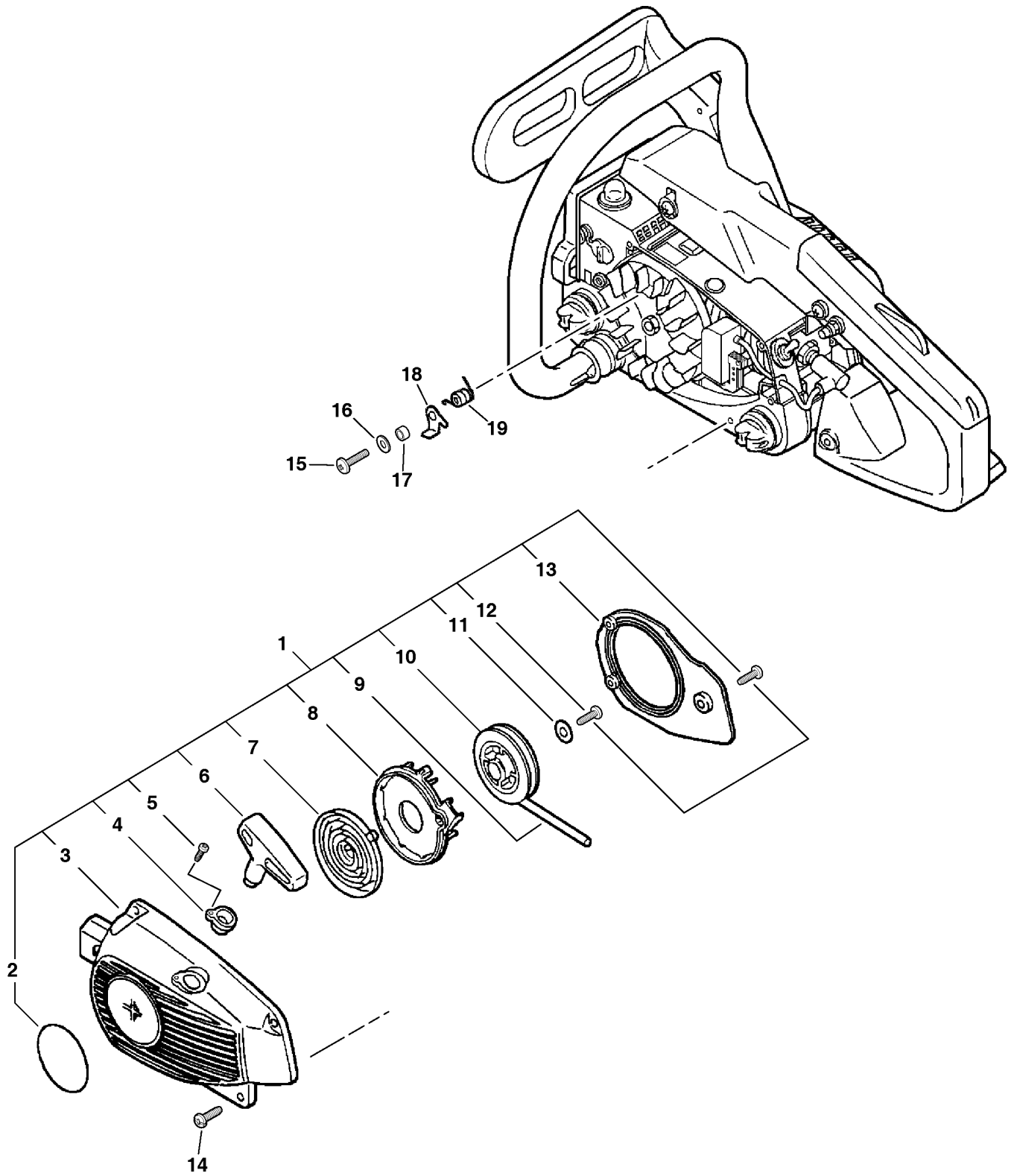
Table of Contents

Click Any Diagram Description Below To View That Diagram.

CS-306 S/N: C07511001001 - C07511999999

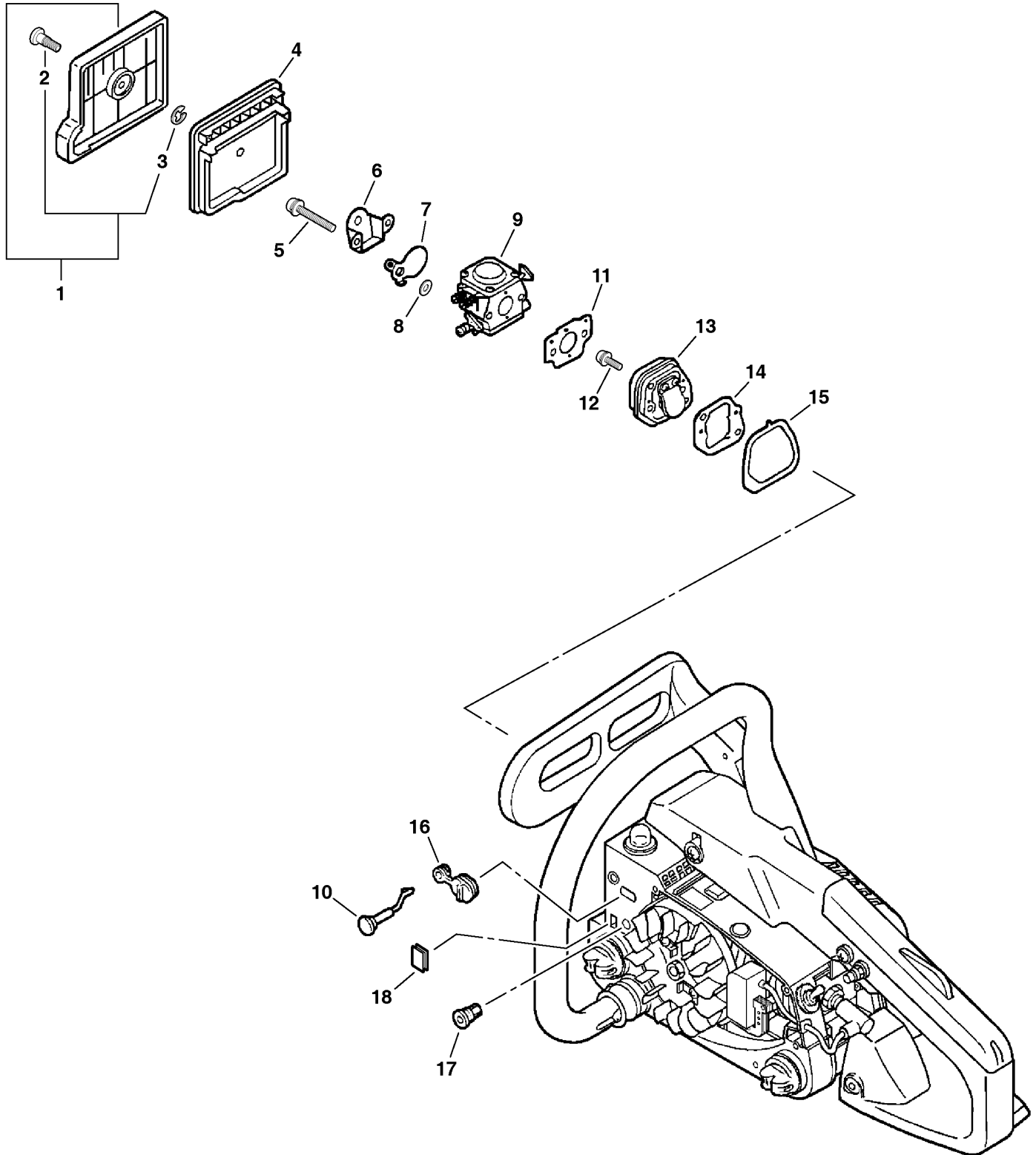
Starter.....	4
Intake.....	6
Carburetor -- WT-589A.....	8
Exhaust.....	10
Chain Brake.....	12
Guide Bar, Sawing Chain, Kick Guard.....	14
Clutch.....	16
Fuel System, Auto Oiler.....	18
Handles.....	20
Ignition.....	22
Engine, Engine Cover, Short Block.....	24
Labels.....	26
RePower Tune-Up Kit.....	28
Tools.....	30
Part Number Index.....	32
Part Description Index.....	33

This Page Intentionally Left Blank



015 0001 ORG

ITEM	PART NUMBER	QTY	DESCRIPTION	REMARKS
1	P021011560	1	STARTER ASY	INCLUDES ITEMS 2-12
2	89011849330	1	LABEL - ECHO	
3	A500000460	1	HOUSING, STARTER - ORANGE	
4	17722739131	1	GUIDE, ROPE	
5	90029603014	1	SCREW 3X14	
6	17722835430	1	GRIP, STARTER	
7	17722039630	1	SPRING, REWIND	
8	17722139630	1	PLATE, STARTER	
9	17722606530	1	ROPE, STARTER - 3.5X 1000mm	REPOWER BULK OPTION: 99944445000
10	A506000090	1	REEL, ROPE	
11	17721404630	1	WASHER	
12	90025304014	4	SCREW 4X14	
13	10153439530	1	PLATE, GUIDE	
14	90025604016	4	SCREW 4X16	
15	90021605012	2	SCREW 5X12	
16	90060300005	2	WASHER 5	
17	17724704630	2	SPACER	
18	A514000000	2	PAWL, STARTER	
19	17723435430	2	SPRING, RETURN	

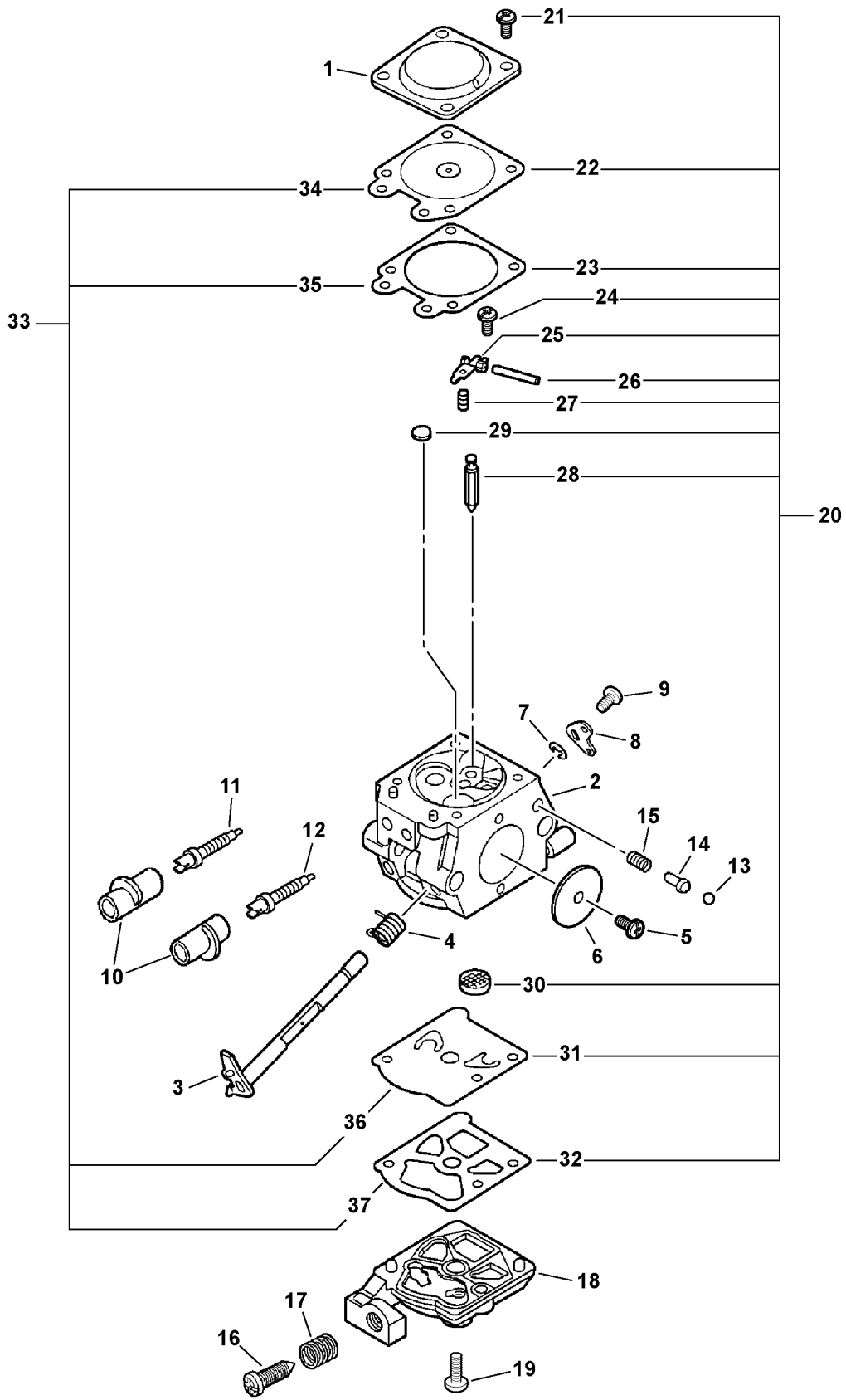


010 0002 000

ITEM	PART NUMBER	QTY	DESCRIPTION	REMARKS
1	13030239136	1	AIR CLEANER COVER ASY	INCLUDES ITEMS 2-3
2	13040613933	1	THUMB BOLT	INCLUDES ITEMS 3
3	90070000004	1	E-RING 4	
4	13031039132	1	FILTER, AIR ¹	
5	90023805045	2	SCREW 5X45	
6	12901139130	1	PLATE, PREVENT	
7	17851539130	1	SHUTTER, CHOKE	
8	17851603930	2	WASHER	
9	A021000761	1	CARBURETOR -- WT-589A	
10	17851039230	1	ROD, CHOKE	
11	V103000021	1	GASKET, INTAKE	
12	90025005018	2	SCREW 5X18	
13	P021000010	1	INSULATOR KIT	
14	V103000120	1	GASKET, INTAKE	
15	13001239131	1	SEAL	
16	17881039630	1	GROMMET, CHOKE	
17	12902339131	1	GROMMET, IDLE	
18	10403439130	1	PLUG	

Footnotes

1: Also Included In REPOWER TUNE-UP KIT

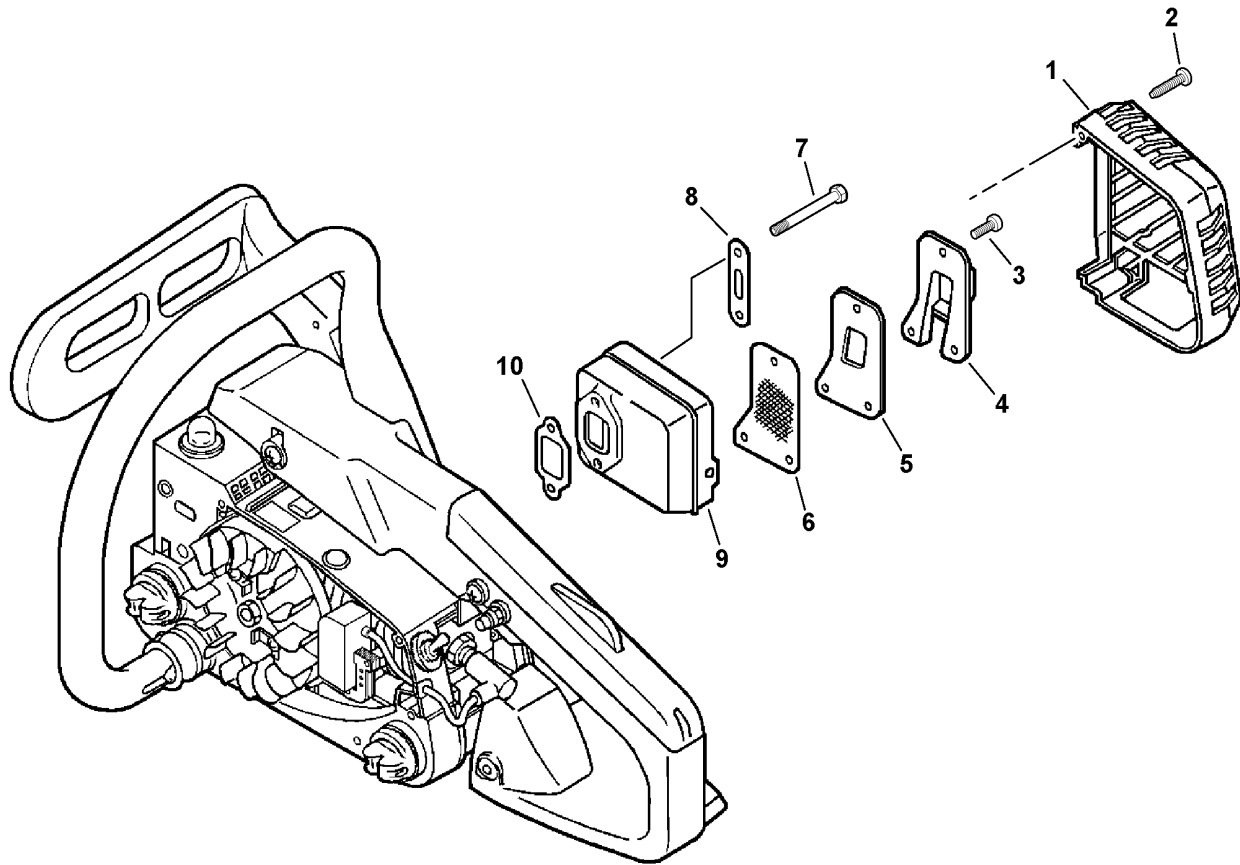


WT589A 0000 761

ITEM	PART NUMBER	QTY	DESCRIPTION	REMARKS
	A021000761	1	CARBURETOR -- WT-589A	
1	12314203930	1	COVER, METERING DIAPHRAGM	
2	-----	1	BODY, CARBURETOR ¹	
3	12311739530	1	SHAFT, THROTTLE	
4	12311347530	1	SPRING, THROTTLE RETURN	
5	12311403930	1	SCREW, THROTTLE VALVE	
6	12311605230	1	VALVE, THROTTLE	
7	12312715030	1	CIRCLIP	
8	12315039230	1	LEVER, THROTTLE	
9	12311403930	1	SCREW, THROTTLE LEVER	
10	P003000010	2	CAP, MIXTURE LIMITER	
11	12312043131	1	NEEDLE - HIGH SPEED	
12	12311839231	1	NEEDLE - LOW SPEED	
13	12313609660	1	BALL	
14	12318509660	1	PISTON ASY	
15	12318609660	1	SPRING, START VALVE	
16	12313419730	1	SCREW, IDLE ADJUST	
17	12313311130	1	SPRING, IDLE ADJUST	
18	12312409320	1	COVER, FUEL PUMP	
19	12311003930	1	SCREW, PUMP COVER	
20	12310037330	1	REPAIR KIT	INCLUDES ITEMS 21-32
21	12313002960	4	SCREW, METERING DIAPHRAGM COVER	
22	-----	1	DIAPHRAGM, METERING	
23	-----	1	GASKET, METERING DIAPHRAGM	
24	-----	1	SCREW, METERING LEVER PIN	
25	-----	1	LEVER, METERING	
26	-----	1	PIN, METERING LEVER	
27	-----	1	SPRING, METERING LEVER	
28	-----	1	VALVE, INLET NEEDLE	
29	-----	1	PLUG, WELCH	
30	-----	1	SCREEN, INLET	
31	-----	1	DIAPHRAGM, FUEL PUMP	
32	-----	1	GASKET, FUEL PUMP	
33	12310105960	1	DIAPHRAGM/GASKET KIT	INCLUDES ITEMS 34-37
34	-----	1	DIAPHRAGM, METERING	
35	-----	1	GASKET, METERING DIAPHRAGM	
36	-----	1	DIAPHRAGM, FUEL PUMP	
37	-----	1	GASKET, FUEL PUMP	

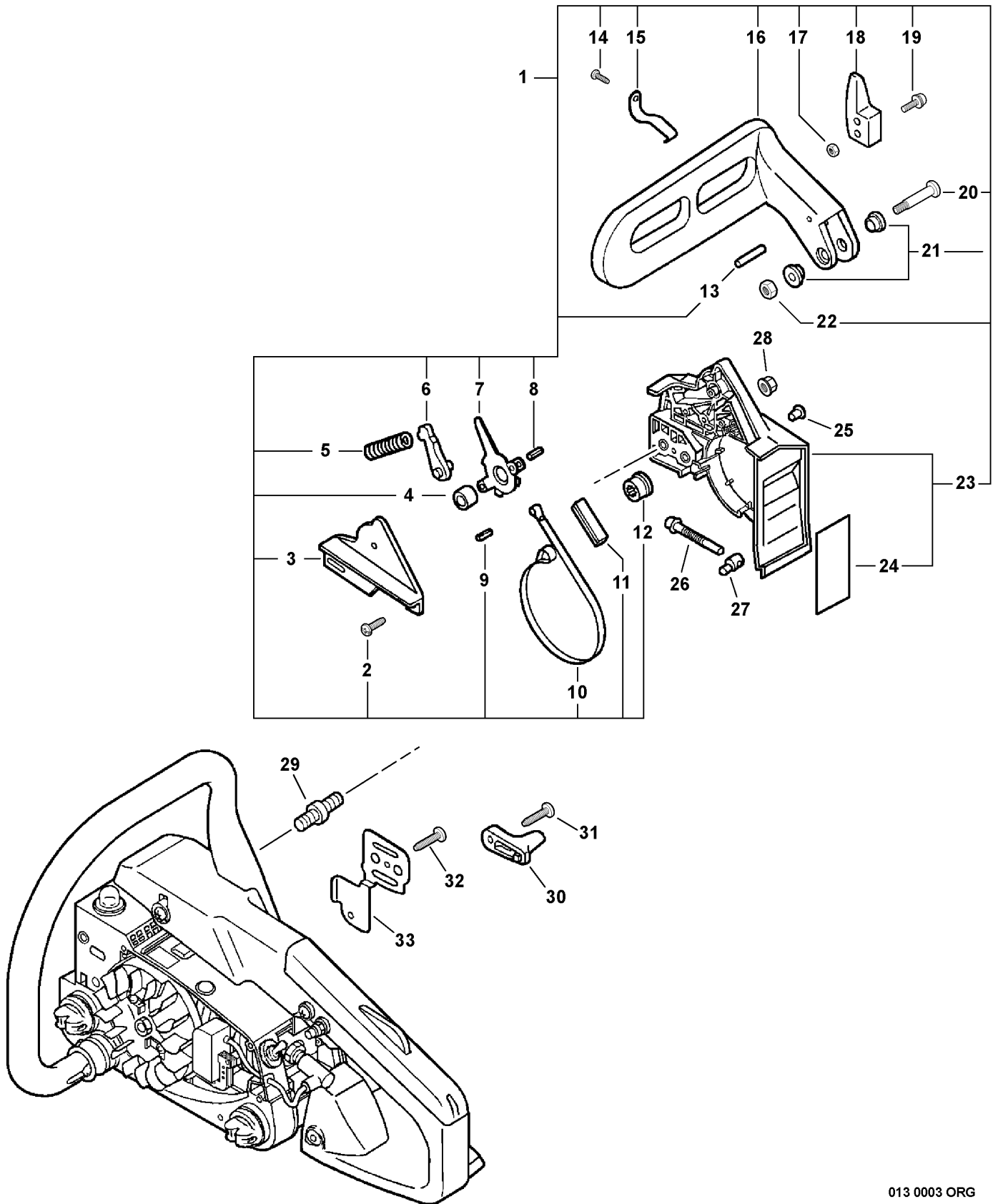
Footnotes

1: NOT AVAILABLE SEPARATELY



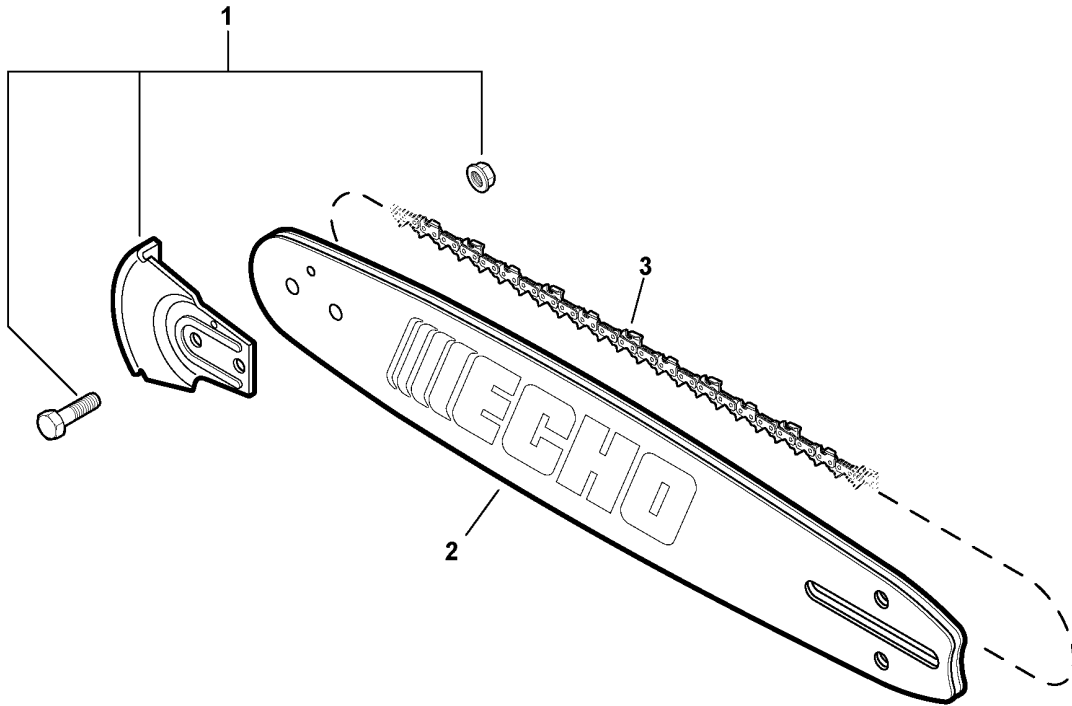
011 0001 000

ITEM	PART NUMBER	QTY	DESCRIPTION	REMARKS
1	A320000033	1	COVER, MUFFLER	
2	90025305020	2	SCREW 5X20	
3	9136704012	3	SCREW 4X12	
4	A303000010	1	GUIDE, EXHAUST	
5	V104000140	1	GASKET, EXHAUST	
6	14586213931	1	SCREEN, MUFFLER	
7	9110705045	2	FLANGE BOLT	
8	14564213930	1	EYE PLATE	
9	A300000120	1	MUFFLER	
10	14551013931	1	GASKET, EXHAUST	



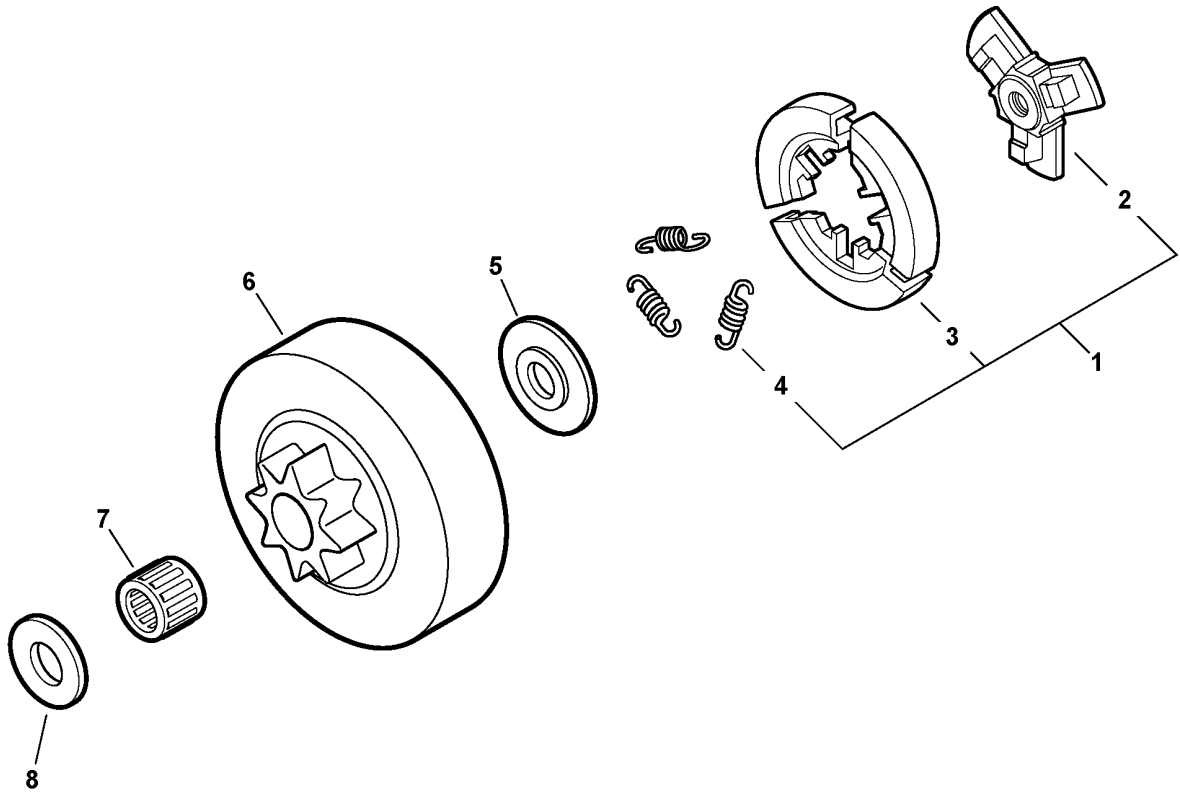
013 0003 ORG

ITEM	PART NUMBER	QTY	DESCRIPTION	REMARKS
1	C032000290	1	CHAIN BRAKE ASY	INCLUDES ITEMS 2-24
2	90025304012	3	SCREW 4X12	
3	C345000230	1	COVER, BRAKE - ORANGE	
4	43311635430	1	SPACER 8X12X9	
5	43312235430	1	SPRING, BRAKE	
6	43320935430	1	STOPPER, BRAKE	
7	43320835431	1	CONNECTOR, BRAKE	
8	90033040088	1	ROLLER 4X8.8	
9	90034225012	1	SPRING PIN 2.5X12	
10	43312339530	1	BAND, BRAKE	
11	43331232630	1	COVER, SEAL	
12	43314235430	1	ADJUSTER, BRAKE	
13	90033040238	1	ROLLER, 4X23.8	
14	90025304010	1	SCREW 4X10	
15	43311439130	1	SPRING	
16	C320000130	1	LEVER, BRAKE - BLACK	
17	90050000004	2	NUT 4	
18	43317139130	1	WEIGHT, BRAKE	
19	90023804022	2	SCREW 4X22	
20	9131805032	1	SCREW 5X32	
21	43316739130	2	SPACER	
22	90056250005	1	FLANGE NUT 5	
23	C300000340	1	GUARD, SPROCKET - ORANGE	INCLUDES ITEM 24
24	V341000000	1	DEFLECTOR, HEAT	
25	V162000020	1	PLUG	
26	43301639131	1	SCREW, ADJUSTMENT	
27	43301403931	1	TENSIONER	
28	43301903933	2	FLANGE NUT 6	
29	V224000030	2	STUD, GUIDE BAR	
30	90025305020	1	SCREW 5X20	
31	43302635430	1	CATCHER, CHAIN	
32	90025304010	1	SCREW 4X10	
33	43301239131	1	PLATE, GUIDE	



016 0001 000

ITEM	PART NUMBER	QTY	DESCRIPTION	REMARKS
1	2894901	1	KICK GUARD KIT	
2	12A4CD3745	1	GUIDE BAR - 12"	GAUGE: .043"
2	14A4CD3752	1	GUIDE BAR - 14"	GAUGE: .043"
3	90SG45G	1	SAWING CHAIN - 12" -- Micro-Lite	GUAGE: .043" / PITCH: .375"
3	90SG52G	1	SAWING CHAIN - 14" -- Micro-Lite	GUAGE: .043" / PITCH: .375"



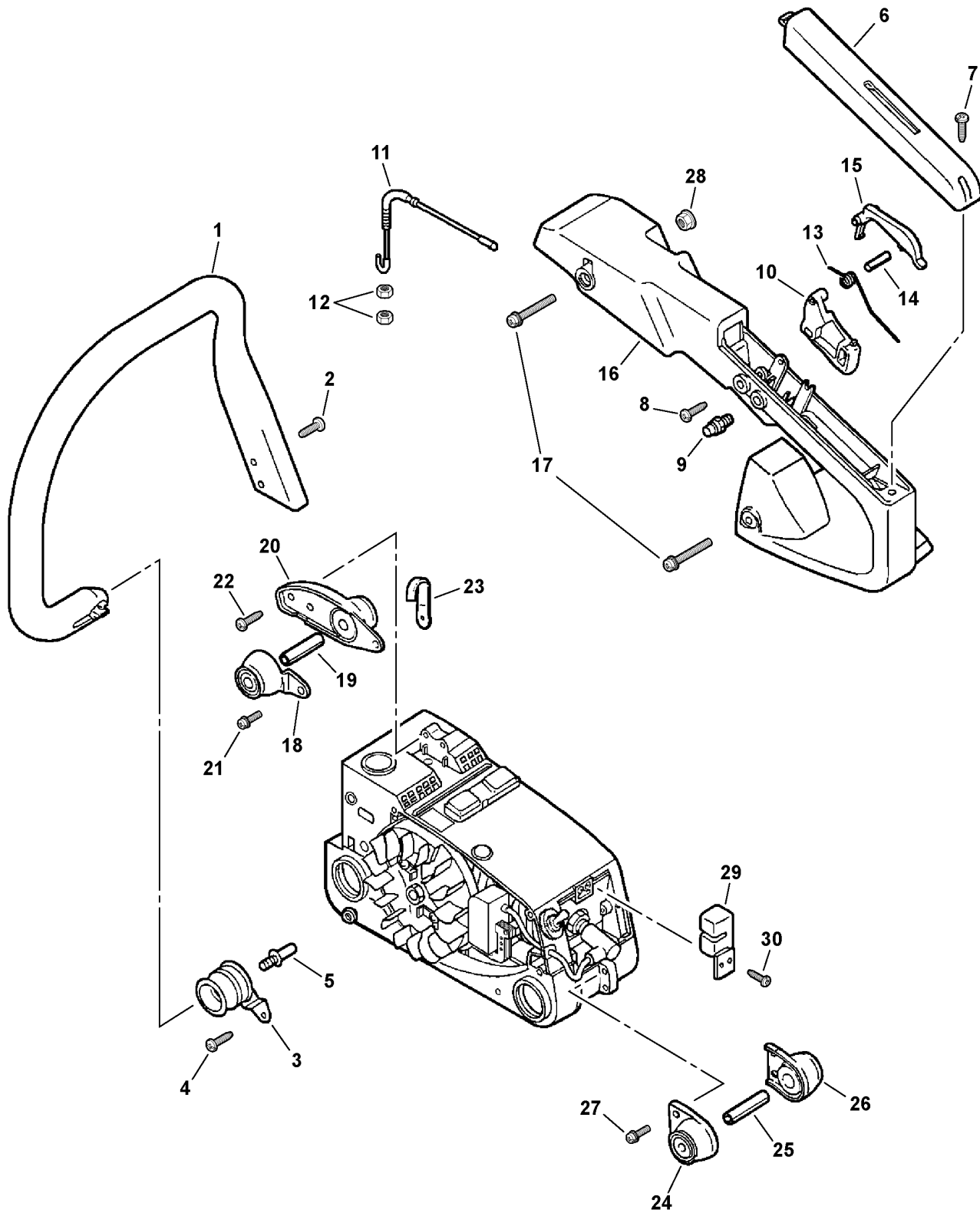
014 0002 000

ITEM	PART NUMBER	QTY	DESCRIPTION	REMARKS
1	A056000070	1	CLUTCH ASY	INCLUDES ITEMS 2-4
2	A552000020	1	HUB, CLUTCH	
3	P021005810	1	CLUTCH SHOE SET	
4	V451000470	3	SPRING, CLUTCH	
5	A551000010	1	PLATE, CLUTCH	
6	17500539132	1	DRUM, CLUTCH	
7	17501235630	1	BEARING, NEEDLE	
8	17501439131	1	WASHER	

ITEM	PART NUMBER	QTY	DESCRIPTION	REMARKS
1	C022000010	1	AUTO-OILER ASY	INCLUDES ITEMS 1-8
2	12532715130	1	CLIP	
3	P022010660	1	SPRING	
4	P022010650	1	PLUNGER	
5	P022010640	1	CAP, OIL PUMP	
6	P022010670	1	SPRING	
7	43702937330	1	WASHER	
8	P022010680	1	NEEDLE, ADJUST	
9	90023505012	2	SCREW 5X12	
10	13201326630	1	CLIP	
11	43720139131	1	OIL PIPE KIT	INCLUDES ITEM 12
12	43724439130	1	PAD, FOAM	
13	43721139133	1	PIPE, OIL	
14	V471000110	1	PIPE, OIL - 3X6X115mm	REPOWER BULK OPTION: 90015
15	V137000010	1	GROMMET	
16	43620502832	1	STRAINER, OIL	
17	10404439130	1	COVER, BOTTOM - ORANGE	
18	90025604016	1	SCREW 4X16	
19	43611413930	1	VALVE, CHECK	
20	12318139130	1	PUMP, PURGE	
21	13275839131	1	BRACKET, PUMP	
22	V471001200	1	PIPE, PURGE - 3X5X70mm	REPOWER BULK OPTION: 90014
23	13271639130	1	PIPE, RETURN - 2X4X42mm	REPOWER BULK OPTION: 90018
24	13211539130	1	GROMMET, FUEL	
25	13201239130	1	PIPE, FUEL - SPIRAL	
26	13201326630	1	CLIP	
27	13120507320	1	FILTER, FUEL ¹	
28	A356000030	1	VENT ASY	
29	13132839130	1	COVER, VENT	
30	13201004920	1	PIPE, VENT - 3X5X150mm	REPOWER BULK OPTION: 90014
31	89016739230	1	LABEL, PURGE PUMP	
32	13033639530	1	PLUG	
33	P021011590	2	CAP ASY - BLACK	INCLUDES ITEMS 34-35
34	A365000050	2	CONNECTOR, CAP	
35	90072100025	2	O-RING 25	

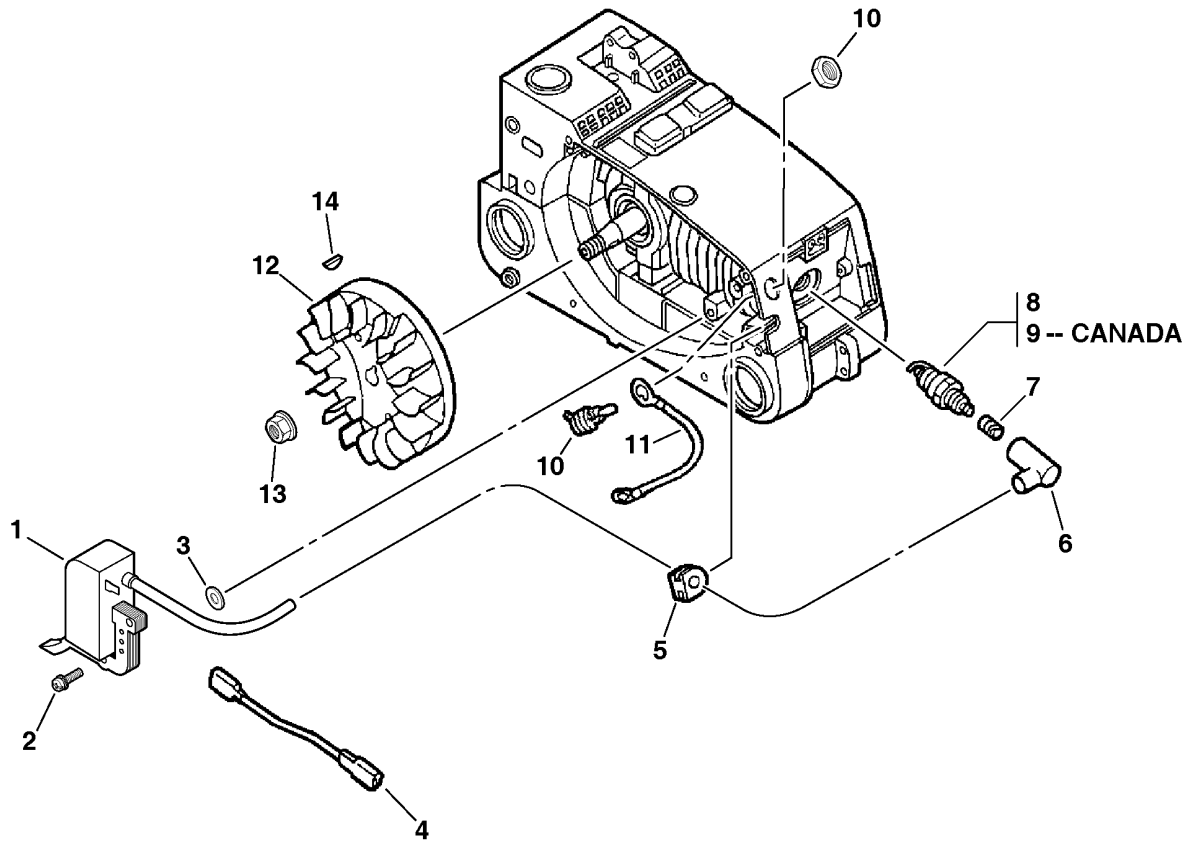
Footnotes

1: Also Included In REPOWER TUNE-UP KIT



012 0003 000

ITEM	PART NUMBER	QTY	DESCRIPTION	REMARKS
1	35161039430	1	HANDLE, FRONT	
2	90025305020	2	SCREW 5X20	
3	10091035630	1	CUSHION	
4	90025604016	1	SCREW 4X16	
5	10091533930	1	SCREW	
6	35115539430	1	COVER, HANDLE	
7	90025604022	1	SCREW 4X22	
8	90025304025	1	SCREW 4X25	
9	17830237930	1	LATCH, THROTTLE	
10	17801039430	1	CONTROL, THROTTLE	
11	17800139430	1	CABLE, THROTTLE	
12	90050200006	2	NUT 6	
13	17809139430	1	SPRING, THROTTLE LOCKOUT	
14	90033040200	1	ROLLER, 4X19.8	
15	17809039430	1	LOCKOUT, THROTTLE	
16	35111039431	1	HANDLE, REAR	
17	90023805057	2	SCREW 5X57	
18	10091739431	1	CUSHION - UPPER	
19	10092439430	1	COLLAR, 5	
20	10091039430	1	CUSHION - UPPER	
21	90023804010	1	SCREW 4X10	
22	90023804014	2	SCREW 4X14	
23	15911318430	1	CLIP	
24	35162139430	1	CUSHION - LOWER	
25	10092439430	1	COLLAR, 5	
26	35162439430	1	CUSHION - LOWER	
27	90025304014	2	SCREW 4X14	
28	90051600005	2	FLANGE NUT 5	
29	10092139430	1	CUSHION	
30	90023804014	2	SCREW 4X14	



018 0001 000

ITEM	PART NUMBER	QTY	DESCRIPTION	REMARKS
1	A411000150	1	COIL, IGNITION	
2	90023805022	2	SCREW 5X22	
3	15011716430	2	SPACER	
4	16201039431	1	LEAD, IGNITION	
5	15611004920	1	BUSHING	
6	15901201620	1	CAP, SPARK PLUG	
7	15901103432	1	TERMINAL, SPARK PLUG CAP	
8	15901019830	1	SPARK PLUG -- BPM-8Y ¹	US MODELS
9	A425000000	1	SPARK PLUG -- BPMR-8Y ¹	CANADA MODELS
10	16340019830	1	SWITCH, IGNITION	
11	16201039131	1	LEAD, GROUND	
12	15680039233	1	FLYWHEEL	
13	90051500008	1	FLANGE NUT 8	
14	10014239130	1	WOODRUFF KEY	

Footnotes

¹: Also Included In REPOWER TUNE-UP KIT

ITEM	PART NUMBER	QTY	DESCRIPTION	REMARKS
1	SB1052	1	SHORT BLOCK	INCLUDES ITEMS 2-13
2	P021002021	1	CRANKCASE SET	INCLUDES ITEM 3
3	90023805025	4	SCREW 5X25	
4	10000039130	1	PISTON KIT	INCLUDES ITEMS 5-9
5	10001146430	1	RING, PISTON	
6	10001315330	1	PIN, PISTON	
7	10001504630	2	CIRCLIP, PISTON PIN	
8	17501203930	1	BEARING, NEEDLE	
9	10001411520	2	SPACER, PISTON PIN	
10	P021007232	1	CRANKSHAFT ASY	INCLUDES ITEMS 11-13
11	V505000010	2	OIL SEAL	
12	9403536201	2	BEARING, BALL - 6201	
13	43706338330	1	GEAR, WORM	
14	A190000640	1	COVER, ENGINE - ORANGE	
15	10402939130	1	COVER, TOP - ORANGE	
16	9111005016	4	SCREW 5X16	
17	16391139130	1	PLUG	

GUIDE BAR	CHAIN	REPLACEMENT BAR AND CHAIN	
PART NO.	TYPE	LINKS	
12" 12A4CD3745	OREGON 90SG	45	
14" 14A4CD3752	OREGON 90SG	52	

Note: There may be other replacement components for achieving kickback protection. For details, please refer to the bar and chain combination sheet shown in the instruction manual.

CS-306

PURGE PUMP

TO AVOID KICKBACK

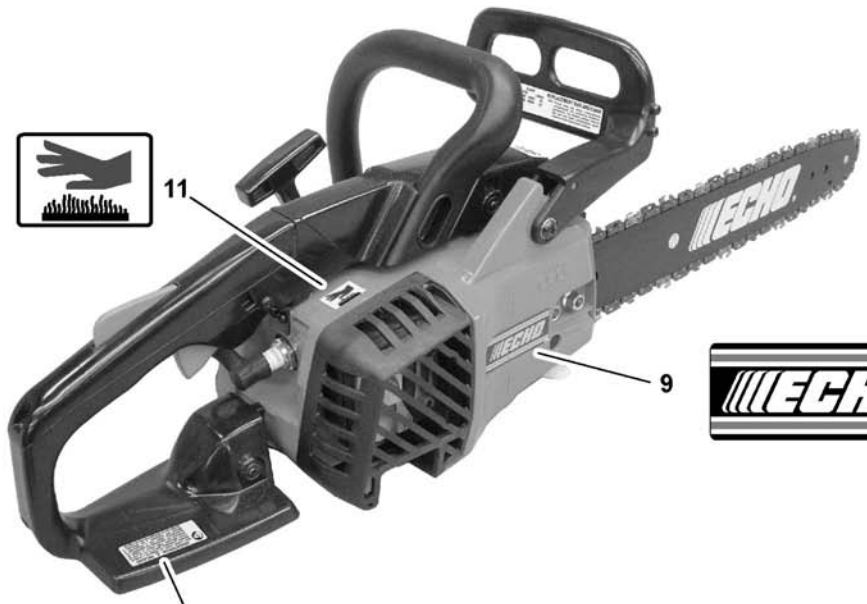
1. Contact of the guide bar tip with any object should be avoided.
2. Tip contact may cause the guide bar to move suddenly upward and backward which may cause serious injury.
3. Always use two hands when operating chain saw.



WARNING!!
Read and follow all safety precautions in the instruction manual. Failure to follow instructions could result in serious personal injury.

CHAIN SAW #101
IN ACCORDANCE WITH AMERICAN NATIONAL STANDARD SAFETY REQUIREMENTS FOR LISTED GASOLINE POWERED CHAIN SAWS (ANSI B175-2000)

STOP



ADVERTENCIA PELIGRO
Esta unidad puede ser peligrosa y producir lesiones personales graves si no se usa en forma adecuada. Para reducir el riesgo de lesiones, los operadores, los ayudantes y los espectadores deben leer y comprender el Manual Del Operador y los Manuales e guridad que se entregan escritos en español.

WARNING
Chain brake must be unlocked before removing or installing clutch cover. Improper installation can result in serious injury and cause severe damage to saw.
La fobortis nisl ut aliquip ex. elit, sed nonummy neusmod tincidunt ut laoreet doloremagna aliquam erat volutpat. Ut wisi enim ad minim veniam, quis nostrud exerci tation ullamcorperquis nostrud exercic.



100 0009 US0

ITEM	PART NUMBER	QTY	DESCRIPTION	REMARKS
1	X524001691	1	LABEL - BAR & CHAIN	
2	X503001480	1	LABEL - MODEL -- CS-306	
3	89019130131	1	LABEL - WARNING -- KICKBACK	
4	X532000671	1	LABEL - SPARK PLUG -- BPM-8Y	
5	89015737330	1	LABEL - STOP	
6	89011439434	1	LABEL - WARNING	
7	89011849330	1	LABEL - ECHO	
8	89016739230	1	LABEL - PURGE PIMP	
9	X502000290	1	LABEL - ECHO	
10	89022839131	1	LABEL - WARNING -- SPANISH	
11	89016006361	1	LABEL - CAUTION -- HOT	
12	X505002060	1	LABEL - WARNING -- CHAINBRAKE	

RePower Tune-Up Kit	Contains: Service Number	Description
90076	13031039132	AIR FILTER
	13120507320	FUEL FILTER
	15901019830	SPARK PLUG -- BPM-8Y

<u>ITEM</u>	<u>PART NUMBER</u>	<u>QTY</u>	<u>DESCRIPTION</u>	<u>REMARKS</u>
1	90076	1	TUNE-UP KIT	

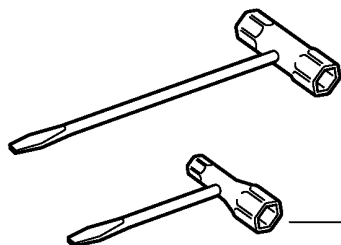
SOCKET WRENCH W/SCREWDRIVER (Also Removes Spark Plugs)

1 - 89541010630 -- 17X19mm

2 - X602000020 -- 17X19mm

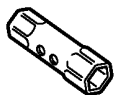
3 - 89541039131 -- 10X19mm

4 - 89541006960 -- 13X19mm



SOCKET WRENCH

5 - X602000031 -- 17X14.5mm



LOCKING BAR

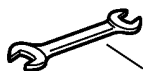
6 - 89751801131 -- 5X120mm



OPEN END WRENCH

7 - 89511200330 -- 8X10mm

8 - 89512220960 -- 17X19mm



9 - 89501505260 -- 10mm



HEX BAR

10 - 89541220960 -- 10mm



HEX KEY

11 - 89561203430 -- 3mm



12 - 89561000130 -- 4mm



13 - 89561100330 -- 5mm



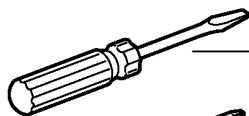
TORX KEY

14 - X605000060 -- T27

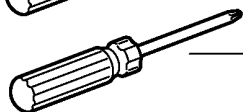


SCREWDRIVER

15 - 89581100130 -- 125mm SLOTTED



16 - 89581203930 -- 50mm PHILLIPS



CHUCK KEY

17 - 89757005560



Consult Your Operators Manual For The Tools Used With Your Model

200 0002 000

ITEM	PART NUMBER	QTY	DESCRIPTION	REMARKS
1	89541010630	1	SOCKET WRENCH/SCREWDRIVER	17X19mm
2	X602000020	1	SOCKET WRENCH/SCREWDRIVER	17X19mm
3	89541039131	1	SOCKET WRENCH/SCREWDRIVER	10X19mm
4	89541006960	1	SOCKET WRENCH/SCREWDRIVER	13X19mm
5	X602000031	1	SOCKET WRENCH	17X14.5mm
6	89751801131	1	LOCKING BAR	5X120mm
7	89511200330	1	OPEN END WRENCH	8X10mm
8	89512220960	1	OPEN END WRENCH	17X19mm
9	89501505260	1	OPEN END WRENCH	10mm
10	89541220960	1	HEX BAR	10mm
11	89561203430	1	HEX KEY	3mm
12	89561000130	1	HEX KEY	4mm
13	89561100330	1	HEX KEY	5mm
14	X605000060	1	TORX KEY	T27
15	89581100130	1	SCREWDRIVER	SLOTTED HEAD
16	89581203930	1	SCREWDRIVER	PHILLIPS HEAD
17	89757005560	1	CHUCK KEY	



Part Number Index

Click The Page Number After Any Part Number To View The Diagram Containing That Part.

Part Number	Page	Part Number	Page	Part Number	Page	Part Number	Page
-----	9	17721404630	5	90023805045	7	V471001200	19
10000039130	25	17722039630	5	90023805057	21	V505000010	25
10001146430	25	17722139630	5	90025005018	7	X502000290	27
10001315330	25	17722606530	5	90025304010	13	X503001480	27
10001411520	25	17722739131	5	90025304012	13	X505002060	27
10001504630	25	17722835430	5	90025304014	5, 21	X524001691	27
10014239130	23	17723435430	5	90025304025	21	X532000671	27
10091035630	21	17724704630	5	90025305020	11, 13, 21	X602000020	31
10091039430	21	17800139430	21	90025604016	5, 19, 21	X602000031	31
10091533930	21	17801039430	21	90025604022	21	X605000060	31
10091739431	21	17809039430	21	90029603014	5		
10092139430	21	17809139430	21	90033040088	13		
10092439430	21	17830237930	21	90033040200	21		
10153439530	5	17851039230	7	90033040238	13		
10402939130	25	17851539130	7	90034225012	13		
10403439130	7	17851603930	7	90050000004	13		
10404439130	19	17881039630	7	90050200006	21		
12310037330	9	2894901	15	90051500008	23		
12310105960	9	35111039431	21	90051600005	21		
12311003930	9	35115539430	21	90056250005	13		
12311347530	9	35161039430	21	90060300005	5		
12311403930	9	35162139430	21	90070000004	7		
12311605230	9	35162439430	21	90072100025	19		
12311739530	9	43301239131	13	90076	29		
12311839231	9	43301403931	13	90SG45G	15		
12312043131	9	43301639131	13	90SG52G	15		
12312409320	9	43301903933	13	9110705045	11		
12312715030	9	43302635430	13	9111005016	25		
12313002960	9	43311439130	13	9131805032	13		
12313311130	9	43311635430	13	9136704012	11		
12313419730	9	43312235430	13	9403536201	25		
12313609660	9	43312339530	13	A021000761	7, 9		
12314203930	9	43314235430	13	A056000070	17		
12315039230	9	43316739130	13	A190000640	25		
12318139130	19	43317139130	13	A300000120	11		
12318509660	9	43320835431	13	A303000010	11		
12318609660	9	43320935430	13	A320000033	11		
12532715130	19	43331232630	13	A356000030	19		
12901139130	7	43611413930	19	A365000050	19		
12902339131	7	43620502832	19	A411000150	23		
12A4CD3745	15	43702937330	19	A425000000	23		
13001239131	7	43706338330	25	A500000460	5		
13030239136	7	43720139131	19	A506000090	5		
13031039132	7	43721139133	19	A514000000	5		
13033639530	19	43724439130	19	A551000010	17		
13040613933	7	89011439434	27	A552000020	17		
13120507320	19	89011849330	5, 27	C022000010	19		
13132839130	19	89015737330	27	C032000290	13		
13201004920	19	89016006361	27	C300000340	13		
13201239130	19	89016739230	19, 27	C320000130	13		
13201326630	19	89019130131	27	C345000230	13		
13211539130	19	89022839131	27	P003000010	9		
13271639130	19	89501505260	31	P021000010	7		
13275839131	19	89511200330	31	P021002021	25		
14551013931	11	89512220960	31	P021005810	17		
14564213930	11	89541006960	31	P021007232	25		
14586213931	11	89541010630	31	P021011560	5		
14A4CD3752	15	89541039131	31	P021011590	19		
15011716430	23	89541220960	31	P022010640	19		
15611004920	23	89561000130	31	P022010650	19		
15680039233	23	89561100330	31	P022010660	19		
15901019830	23	89561203430	31	P022010670	19		
15901103432	23	89581100130	31	P022010680	19		
15901201620	23	89581203930	31	SB1052	25		
15911318430	21	89751801131	31	V103000021	7		
16201039131	23	89757005560	31	V103000120	7		
16201039431	23	90021605012	5	V104000140	11		
16340019830	23	90023505012	19	V137000010	19		
16391139130	25	90023804010	21	V162000020	13		
17500539132	17	90023804014	21	V224000030	13		
17501203930	25	90023804022	13	V341000000	13		
17501235630	17	90023805022	23	V451000470	17		
17501439131	17	90023805025	25	V471000110	19		



Part Description Index

Click The Page Number After Any Part Description To View The Diagram Containing That Part.

A

ADJUSTER, BRAKE.....13
 AIR CLEANER COVER ASY.....7
 AUTO-OILER ASY.....19

B

BALL.....9
 BAND, BRAKE.....13
 BEARING, BALL - 6201.....25
 BEARING, NEEDLE.....17, 25
 BODY, CARBURETOR.....9
 BRACKET, PUMP.....19
 BUSHING.....23

C

CABLE, THROTTLE.....21
 CAP ASY - BLACK.....19
 CAP, MIXTURE LIMITER.....9
 CAP, OIL PUMP.....19
 CAP, SPARK PLUG.....23
 CARBURETOR -- WT-589A.....7, 9
 CATCHER, CHAIN.....13
 CHAIN BRAKE ASY.....13
 CHUCK KEY.....31
 CIRCLIP.....9
 CIRCLIP, PISTON PIN.....25
 CLIP.....19, 21
 CLUTCH ASY.....17
 CLUTCH SHOE SET.....17
 COIL, IGNITION.....23
 COLLAR, 5.....21
 CONNECTOR, CAP.....19
 CONNECTOR, BRAKE.....13
 CONTROL, THROTTLE.....21
 COVER, BOTTOM - ORANGE.....19
 COVER, BRAKE - ORANGE.....13
 COVER, ENGINE - ORANGE.....25
 COVER, FUEL PUMP.....9
 COVER, HANDLE.....21
 COVER, METERING DIAPHRAGM.....9
 COVER, MUFFLER.....11
 COVER, SEAL.....13
 COVER, TOP - ORANGE.....25
 COVER, VENT.....19
 CRANKCASE SET.....25
 CRANKSHAFT ASY.....25
 CUSHION.....21
 CUSHION - LOWER.....21
 CUSHION - UPPER.....21

D

DEFLECTOR, HEAT.....13
 DIAPHRAGM, FUEL PUMP.....9
 DIAPHRAGM, METERING.....9
 DIAPHRAGM/GASKET KIT.....9
 DRUM, CLUTCH.....17

E

E-RING 4.....7
 EYE PLATE.....11

F

FILTER, AIR.....7
 FILTER, FUEL.....19
 FLANGE BOLT.....11
 FLANGE NUT 5.....13, 21
 FLANGE NUT 6.....13
 FLANGE NUT 8.....23
 FLYWHEEL.....23

G

GASKET, EXHAUST.....11
 GASKET, FUEL PUMP.....9
 GASKET, INTAKE.....7
 GASKET, METERING DIAPHRAGM.....9
 GEAR, WORM.....25
 GRIP, STARTER.....5
 GROMMET.....19
 GROMMET, CHOKE.....7
 GROMMET, FUEL.....19
 GROMMET, IDLE.....7
 GUARD, SPROCKET - ORANGE.....13
 GUIDE BAR - 12".....15
 GUIDE BAR - 14".....15
 GUIDE, EXHAUST.....11
 GUIDE, ROPE.....5

H

HANDLE, FRONT.....21
 HANDLE, REAR.....21
 HEX BAR.....31
 HEX KEY.....31
 HOUSING, STARTER - ORANGE.....5
 HUB, CLUTCH.....17

I

INSULATOR KIT.....7

K

KICK GUARD KIT.....15

L

LABEL - BAR & CHAIN.....27
 LABEL - CAUTION -- HOT.....27
 LABEL - ECHO.....5, 27
 LABEL - MODEL -- CS-306.....27
 LABEL - PURGE PIMP.....27
 LABEL - SPARK PLUG -- BPM-8Y.....27
 LABEL - STOP.....27
 LABEL - WARNING.....27
 LABEL - WARNING -- CHAINBRAKE.....27
 LABEL - WARNING -- KICKBACK.....27
 LABEL - WARNING -- SPANISH.....27
 LABEL, PURGE PUMP.....19
 LATCH, THROTTLE.....21
 LEAD, GROUND.....23
 LEAD, IGNITION.....23
 LEVER, BRAKE - BLACK.....13
 LEVER, METERING.....9
 LEVER, THROTTLE.....9
 LOCKING BAR.....31
 LOCKOUT, THROTTLE.....21

M

MUFFLER.....11

N

NEEDLE - HIGH SPEED.....9
 NEEDLE - LOW SPEED.....9
 NEEDLE, ADJUST.....19
 NUT 4.....13
 NUT 6.....21

O

OIL PIPE KIT.....19
 OIL SEAL.....25
 OPEN END WRENCH.....31
 O-RING 25.....19

P

PAD, FOAM.....19
 PAWL, STARTER.....5
 PIN, METERING LEVER.....9
 PIN, PISTON.....25
 PIPE, FUEL - SPIRAL.....19
 PIPE, OIL.....19
 PIPE, OIL - 3X6X115mm.....19
 PIPE, PURGE - 3X5X70mm.....19
 PIPE, RETURN - 2X4X42mm.....19
 PIPE, VENT - 3X5X150mm.....19
 PISTON ASY.....9
 PISTON KIT.....25
 PLATE, CLUTCH.....17
 PLATE, GUIDE.....5, 13
 PLATE, PREVENT.....7
 PLATE, STARTER.....5
 PLUG.....7, 13, 19, 25
 PLUG, WELCH.....9
 PLUNGER.....19
 PUMP, PURGE.....19

R

REEL, ROPE.....5
 REPAIR KIT.....9
 RING, PISTON.....25
 ROD, CHOKE.....7
 ROLLER 4X8.8.....13
 ROLLER, 4X19.8.....21
 ROLLER, 4X23.8.....13
 ROPE, STARTER - 3.5X 1000mm.....5

S

SAWING CHAIN - 12" -- Micro-Lite.....15
 SAWING CHAIN - 14" -- Micro-Lite.....15
 SCREEN, INLET.....9
 SCREEN, MUFFLER.....11
 SCREW.....21
 SCREW 3X14.....5
 SCREW 4X10.....13, 21
 SCREW 4X12.....11, 13
 SCREW 4X14.....5, 21
 SCREW 4X16.....5, 19, 21
 SCREW 4X22.....13, 21
 SCREW 4X25.....21
 SCREW 5X12.....5, 19



Part Description Index (continued)

SCREW 5X16.....25
 SCREW 5X18.....7
 SCREW 5X20.....11, 13, 21
 SCREW 5X22.....23
 SCREW 5X25.....25
 SCREW 5X32.....13
 SCREW 5X45.....7
 SCREW 5X57.....21
 SCREW, ADJUSTMENT.....13
 SCREW, IDLE ADJUST.....9
 SCREW, METERING DIAPHRAGM COVER.....9
 SCREW, METERING LEVER PIN.....9
 SCREW, PUMP COVER.....9
 SCREW, THROTTLE LEVER.....9
 SCREW, THROTTLE VALVE.....9
 SCREWDRIVER.....31
 SEAL.....7
 SHAFT, THROTTLE.....9
 SHORT BLOCK.....25
 SHUTTER, CHOKE.....7
 SOCKET WRENCH.....31
 SOCKET WRENCH/SCREWDRIVER.....31
 SPACER.....5, 13, 23
 SPACER 8X12X9.....13
 SPACER, PISTON PIN.....25
 SPARK PLUG -- BPM-8Y.....23
 SPARK PLUG -- BPMR-8Y.....23
 SPRING.....13, 19
 SPRING PIN 2.5X12.....13
 SPRING, BRAKE.....13
 SPRING, CLUTCH.....17
 SPRING, IDLE ADJUST.....9
 SPRING, METERING LEVER.....9
 SPRING, RETURN.....5
 SPRING, REWIND.....5
 SPRING, START VALVE.....9
 SPRING, THROTTLE LOCKOUT.....21
 SPRING, THROTTLE RETURN.....9
 STARTER ASY.....5
 STOPPER, BRAKE.....13
 STRAINER, OIL.....19
 STUD, GUIDE BAR.....13
 SWITCH, IGNITION.....23

T

TENSIONER.....13
 TERMINAL, SPARK PLUG CAP.....23
 THUMB BOLT.....7
 TORX KEY.....31
 TUNE-UP KIT.....29

V

VALVE, CHECK.....19
 VALVE, INLET NEEDLE.....9
 VALVE, THROTTLE.....9
 VENT ASY.....19

W

WASHER.....5, 7, 17, 19
 WASHER 5.....5
 WEIGHT, BRAKE.....13
 WOODRUFF KEY.....23

NOTES



ECHO, INCORPORATED

400 Oakwood Road
Lake Zurich, IL 60047 USA

WWW.ECHO-USA.COM
