



AVAILABLE ATTACHMENTS & ACCESSORIES

Accessories

89850308032 Bar & Chain Cover - 17"

99988800307 Debris Shield

99988800309 CS Lanyard Strap w_Snap

Guide Bars

12A0ED3745 Guide Bar - 12" -- Standard Width

14A0ED3752 Guide Bar - 14" -- Standard Width

16A0ED3757 Guide Bar - 16" -- Standard Width

Sawing Chains

91VG45G Chain - 12" -- Standard Width

91VG52G Chain - 14" -- Standard Width

91VG57G Chain - 16" -- Standard Width

PARTS CATALOG

CS-330MX4 Chain Saw

32.6cc

SERIAL NUMBERS

S/N: C07213001001 - C07213999999

ECHO, INCORPORATED

400 Oakwood Road Lake Zurich, Illinois 60047 USA

WWW.ECHO-USA.COM



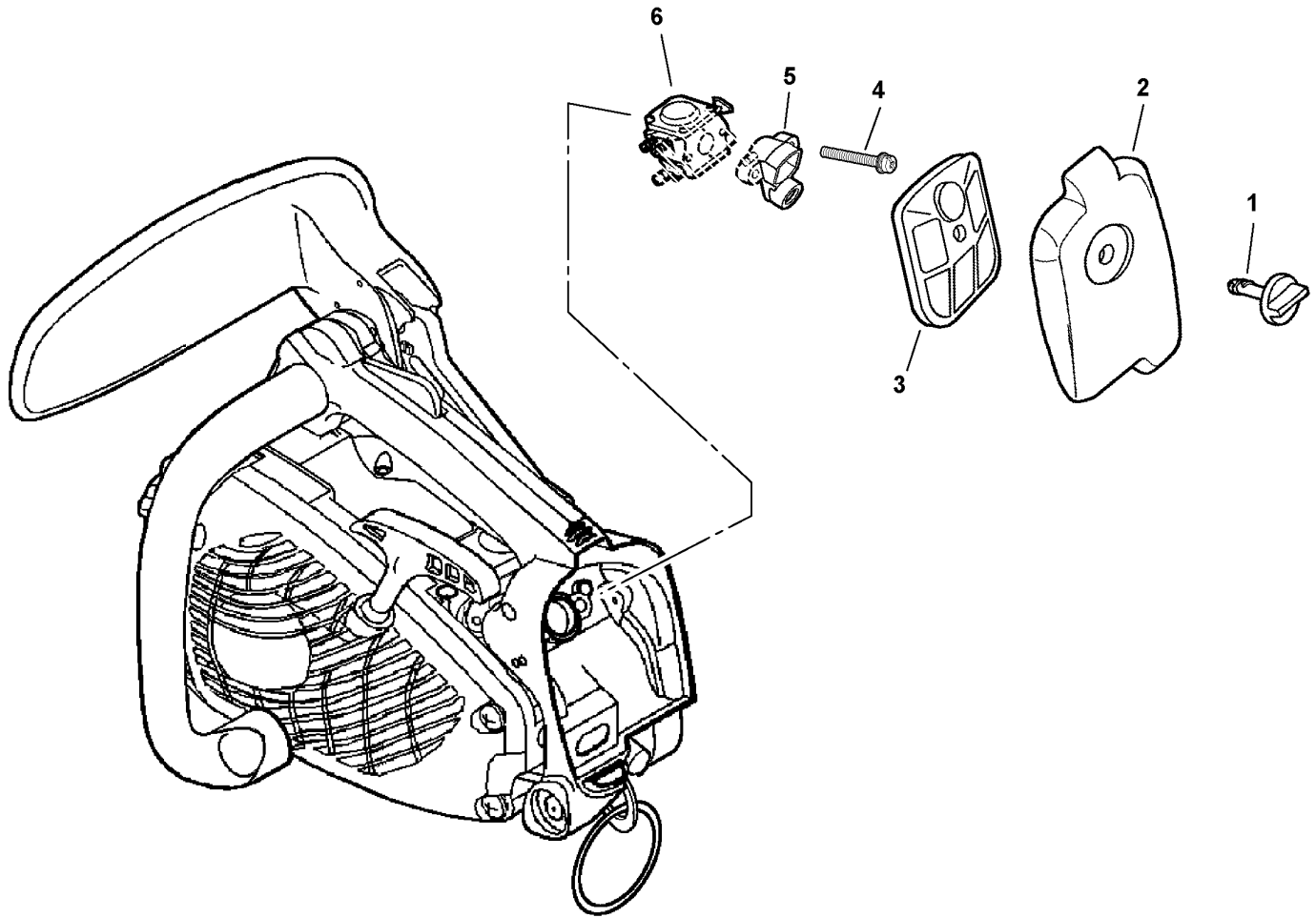
Table of Contents

Click Any Diagram Description Below To View That Diagram.

CS-330MX4 S/N: C07213001001 - C07213999999

Intake.....	4
Carburetor -- WT-739.....	6
Guide Bar, Sawing Chain.....	8
Chain Brake.....	10
Clutch.....	12
Exhaust.....	14
Handles, Throttle Control.....	16
Starter.....	18
Fuel System, Auto-Oiler.....	20
Ignition.....	22
Engine, Short Block -- SB1085.....	24
Labels.....	26
RePower Tune-Up Kit.....	28
Tools.....	30
Part Number Index.....	32
Part Description Index.....	33

This Page Intentionally Left Blank

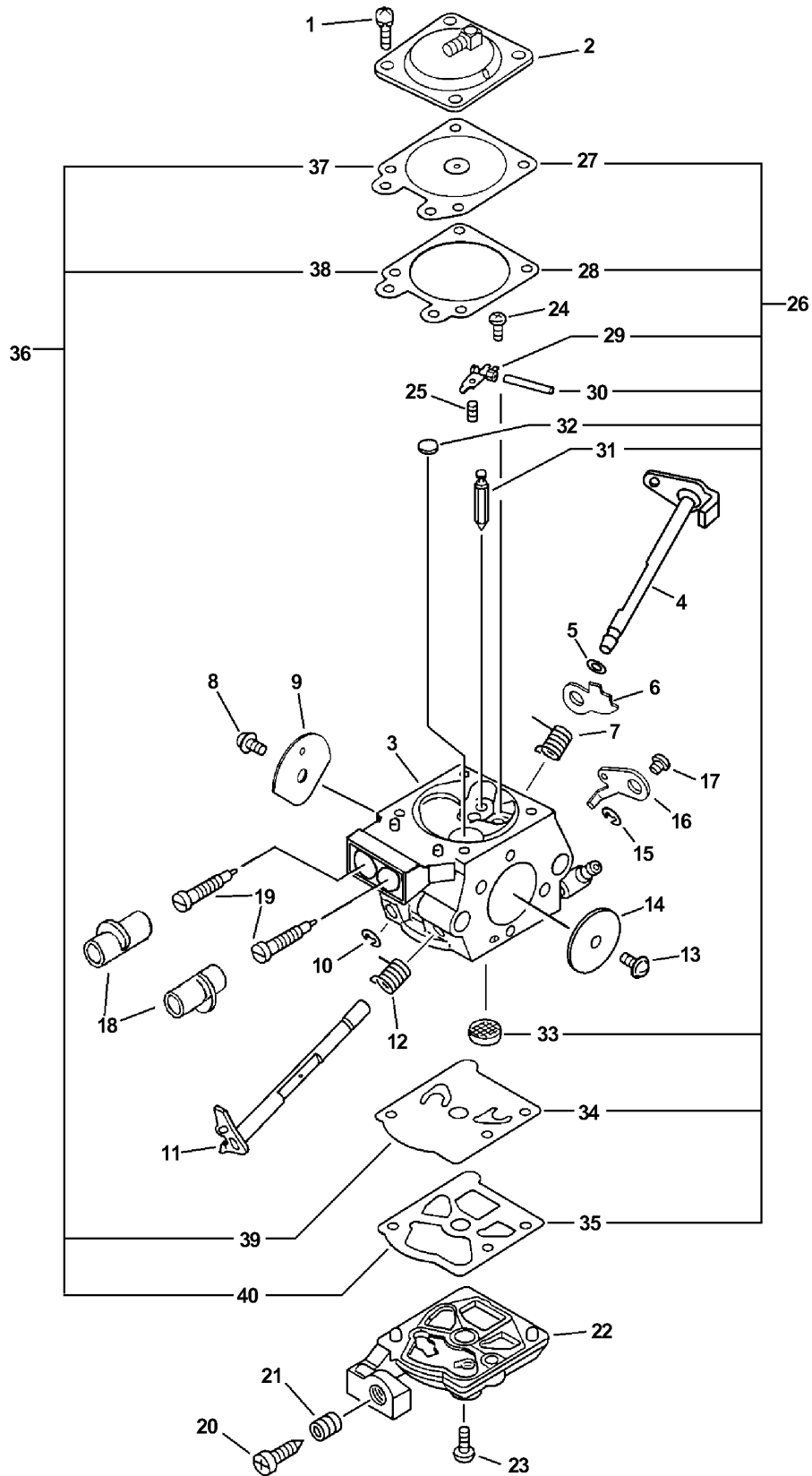


010 0006 000

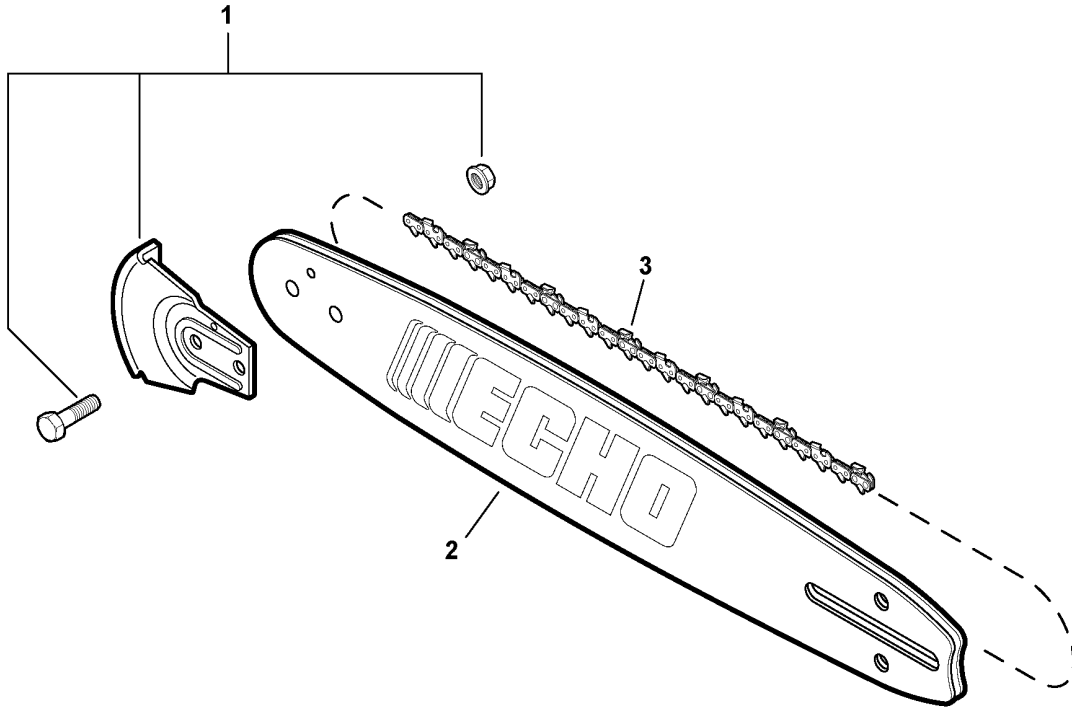
ITEM	PART NUMBER	QTY	DESCRIPTION	REMARKS
1	A235000040	1	KNOB, AIR CLEANER LID	
2	A232000290	1	LID, AIR CLEANER	
3	A226000291	1	FILTER, AIR ¹	
4	90023805050	2	SCREW 5X50	
5	A204000072	1	ELBOW, CARBURETOR	
6	-----	1	CARBURETOR ²	

Footnotes

- 1:** Also Included In REPOWER TUNE-UP KIT
- 2:** See Carburetor Diagram For Additional Information

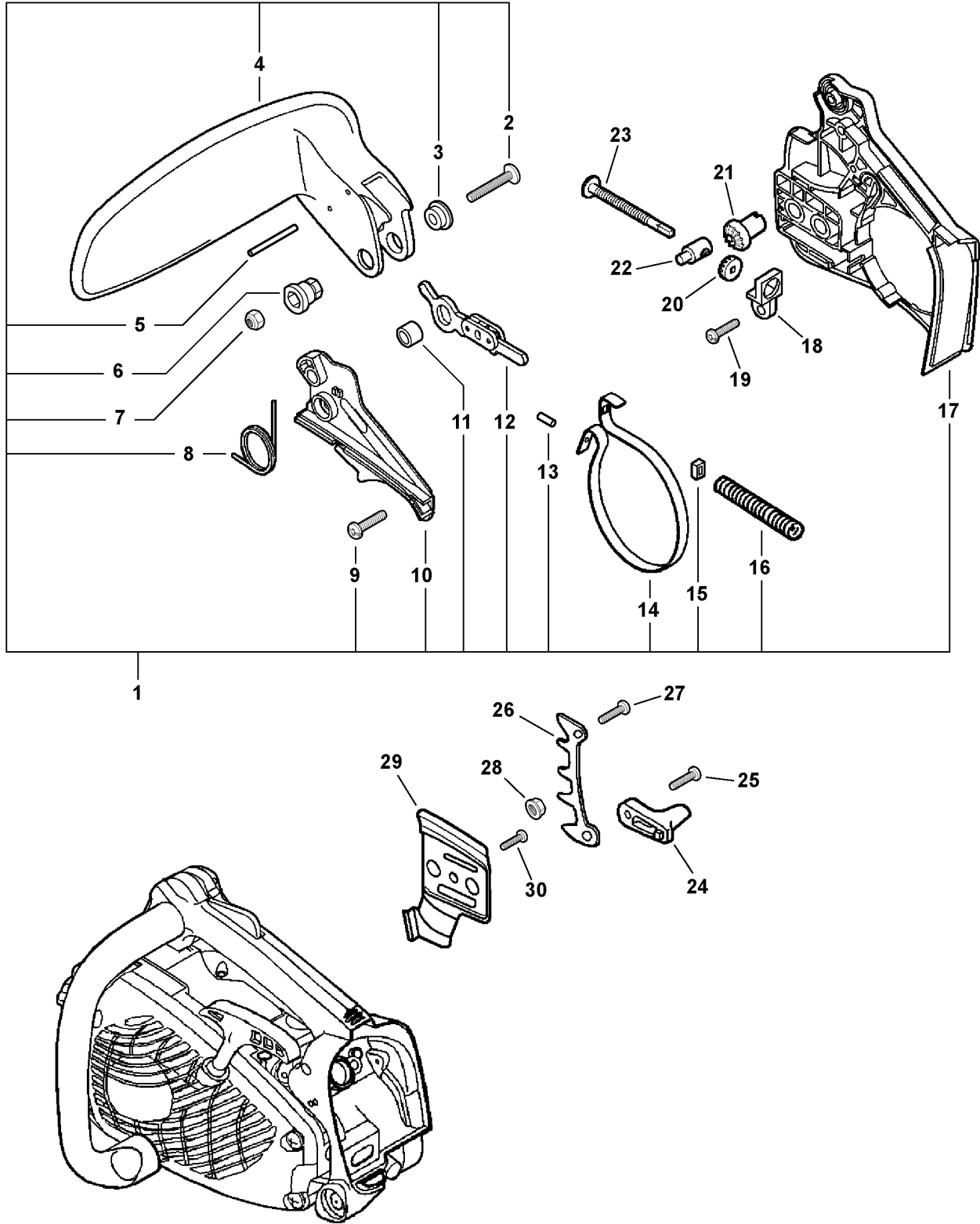


ITEM	PART NUMBER	QTY	DESCRIPTION	REMARKS
	A021001110	1	CARBURETOR -- WT-739	
1	12313002960	4	SCREW, DIAPHRAGM COVER	
2	P003001390	1	COVER, METERING DIAPHRAGM	
3	-----	1	BODY, CARBURETOR	NOT AVAILABLE SEPARATELY
4	P003001140	1	SHAFT, CHOKE	
5	12314926030	1	WASHER	
6	P003000160	1	LEVER, FAST IDLE	
7	P003000140	1	SPRING, CHOKE RETURN	
8	12311403930	1	SCREW, CHOKE VALVE	
9	P003001410	1	VALVE, CHOKE	
10	12312715030	1	CLIP, CHOKE SHAFT	
11	P003001300	1	SHAFT, THROTTLE	
12	12311337530	1	SPRING, THROTTLE RETURN	
13	12311405260	1	SCREW, THROTTLE VALVE	
14	12311610530	1	VALVE, THROTTLE	
15	12312715030	1	CLIP, THROTTLE SHAFT	
16	P003000380	1	LEVER, THROTTLE	
17	12311403930	1	SCREW, THROTTLE LEVER	
18	P003000010	2	CAP, MIXTURE LIMITER	
19	12312052131	2	NEEDLE, ADJUSTMENT	
20	P003001400	1	SCREW, IDLE ADJUST	
21	12313304260	1	SPRING, IDLE ADJUST	
22	P003001380	1	COVER, FUEL PUMP	
23	12311003930	1	SCREW, PUMP COVER	
24	12313903930	1	SCREW, METERING LEVER PIN	
25	12312203660	1	SPRING, METERING LEVER	
26	P003000250	1	REPAIR KIT	INCLUDES ITEM 27-35
27	-----	1	DIAPHRAGM, METERING	
28	-----	1	GASKET, METERING DIAPHRAGM	
29	-----	1	LEVER, METERING	
30	-----	1	PIN, METERING LEVER	
31	-----	1	VALVE, INLET NEEDLE	
32	-----	1	PLUG, WELCH	
33	-----	1	SCREEN, INLET	
34	-----	1	DIAPHRAGM, FUEL PUMP	
35	-----	1	GASKET, FUEL PUMP	
36	P003000240	1	GASKET/DIAPHRAGM KIT	INCLUDES ITEM 37-40
37	-----	1	DIAPHRAGM, METERING	
38	-----	1	GASKET, METERING DIAPHRAGM	
39	-----	1	DIAPHRAGM, FUEL PUMP	
40	-----	1	GASKET, FUEL PUMP	



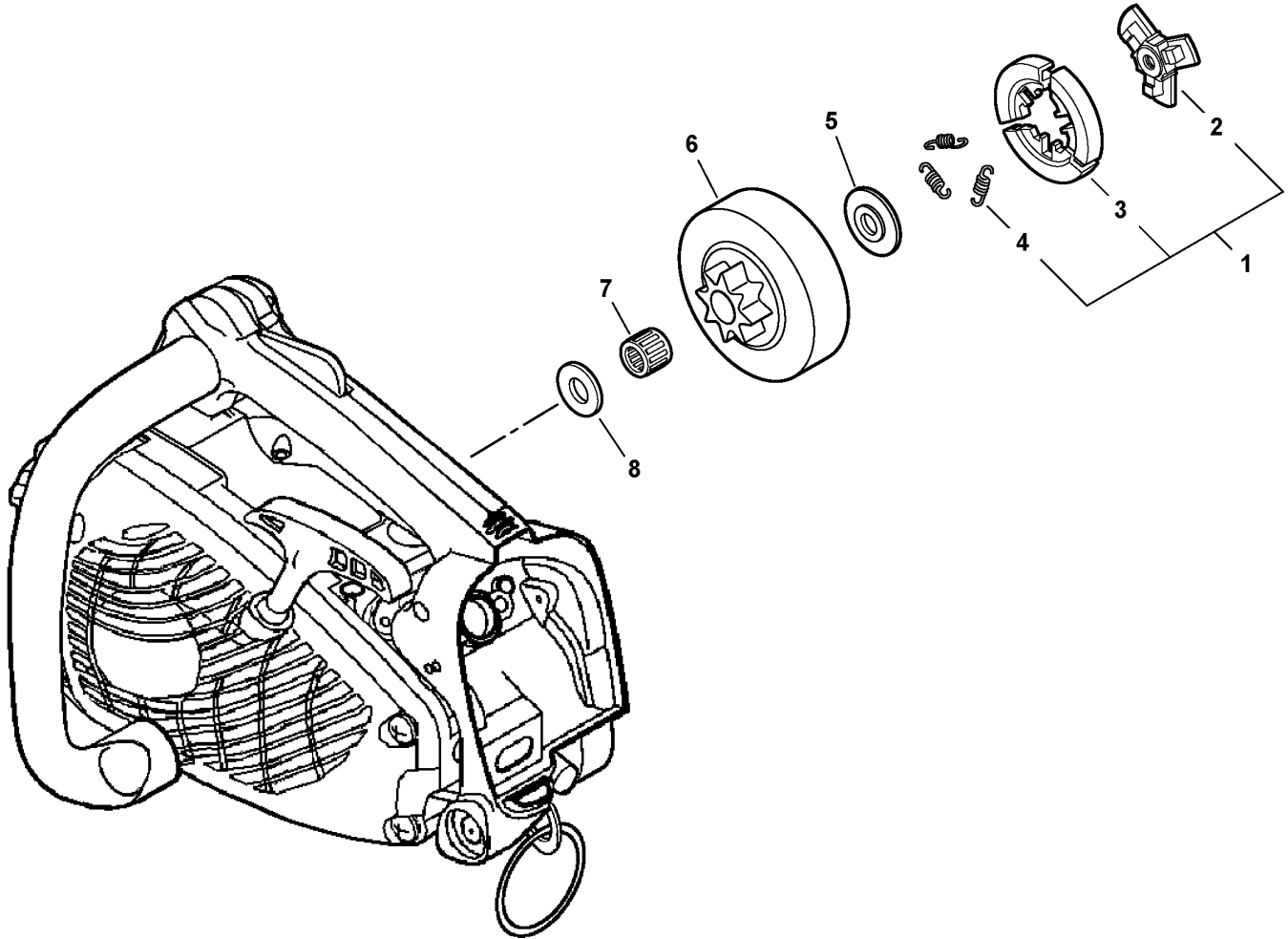
016 0004 000

ITEM	PART NUMBER	QTY	DESCRIPTION	REMARKS
1	2894901	1	KICK GUARD KIT	
2	12A0ED3745	1	GUIDE BAR - 12" -- STANDARD WIDTH	
2	14A0ED3752	1	GUIDE BAR - 14" -- STANDARD WIDTH	
2	16A0ED3757	1	GUIDE BAR - 16" -- STANDARD WIDTH	
3	91VG45G	1	SAWING CHAIN - 12" -- STANDARD WIDTH	
3	91VG52G	1	SAWING CHAIN - 14" -- STANDARD WIDTH	
3	91VG57G	1	SAWING CHAIN - 16" -- STANDARD WIDTH	



013 0006 CAM

ITEM	PART NUMBER	QTY	DESCRIPTION	REMARKS
1	C032000340	1	CHAIN BRAKE ASY	INCLUDES ITEMS 2-17
2	9131805032	1	SCREW 5X32	
3	43316739130	1	SPACER	
4	C320000090	1	LEVER, BRAKE	
5	90033030260	2	ROLLER	
6	V353000060	1	COLLAR	
7	90056250005	1	LOCKNUT	
8	V452000110	1	SPRING	
9	90025304012	3	SCREW 4X12	
10	C345000250	1	COVER, BRAKE	
11	43311635430	1	SPACER	
12	C334000070	1	CONNECTOR, BRAKE	
13	9305030098	1	ROLLER	
14	C328000030	1	BAND, BRAKE	
15	V376000450	1	SPACER	
16	V450000070	1	SPRING	
17	C300000370	1	GUARD, SPROCKET	
18	V355000140	1	COLLAR	
19	90025304012	1	SCREW 4X12	
20	V651000011	1	GEAR, BEVEL	
21	V651000001	1	GEAR, BEVEL	
22	C309000030	1	TENSIONER, CHAIN	
23	V203000041	1	BOLT	
24	43302635430	1	CATCHER, CHAIN	
25	90025305020	1	SCREW 5X20	
26	C304000000	1	BUMPER, SPIKED	
27	90025305020	1	SCREW 5X20	
28	43301903933	2	FLANGE NUT	
29	C305000080	1	PLATE, SPROCKET GUARD	
30	90025304010	1	SCREW 4X10	

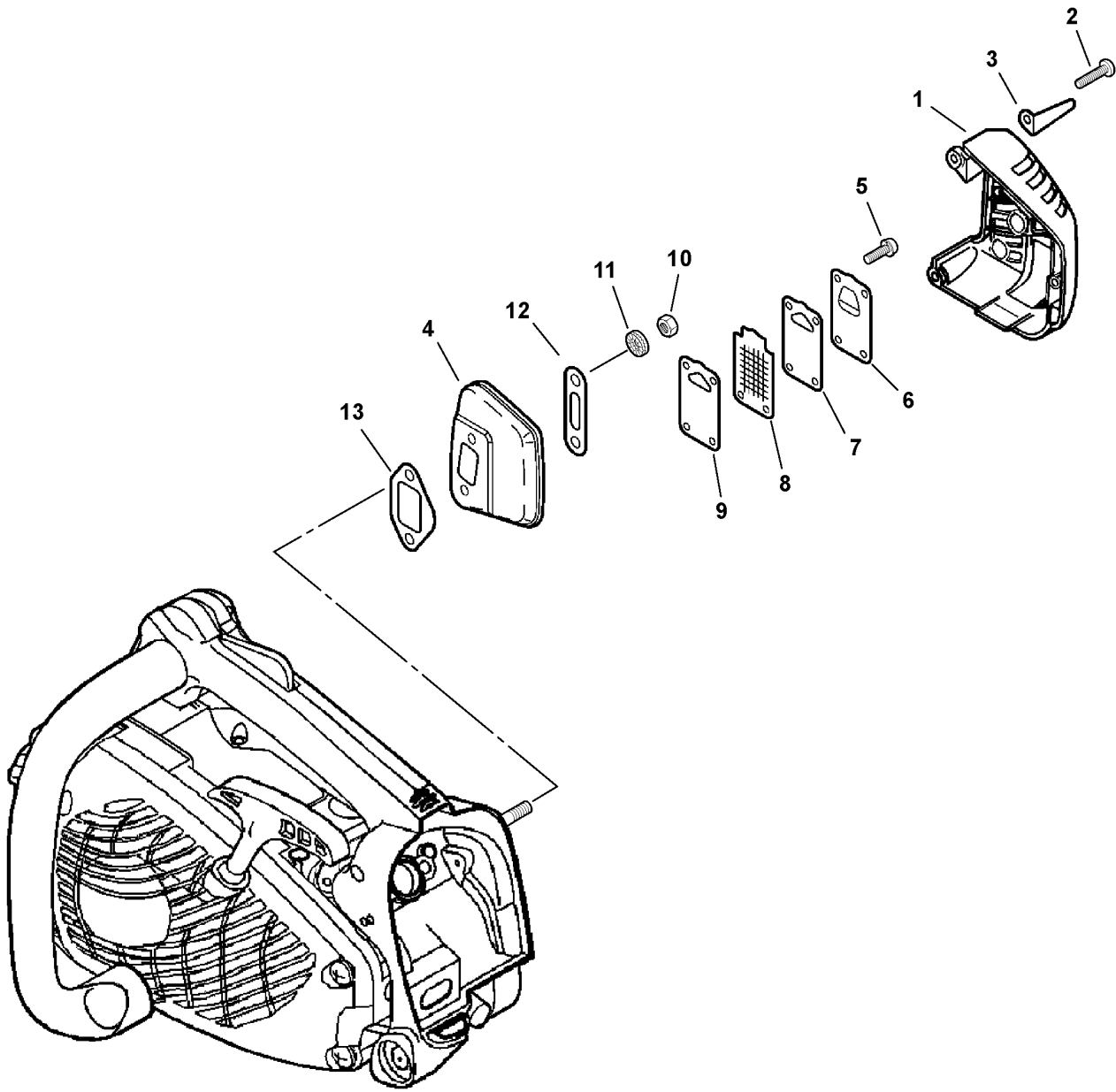


014 0004 000

CS-330MX4 Chain Saw

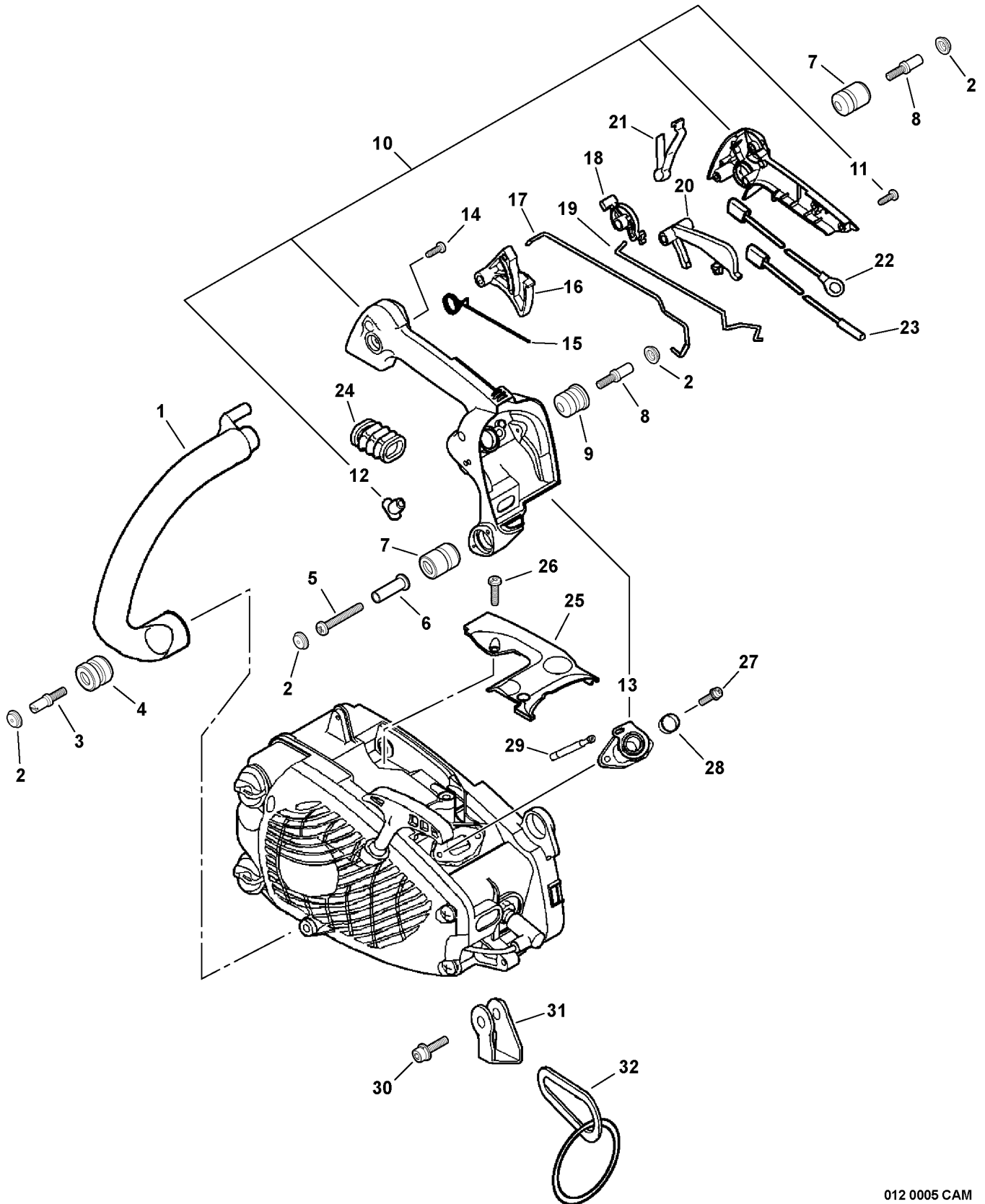
Clutch

ITEM	PART NUMBER	QTY	DESCRIPTION	REMARKS
1	A056000070	1	CLUTCH ASY	INCLUDES ITEMS 2-4
2	A552000020	1	HUB, CLUTCH	
3	P021005810	1	CLUTCH SHOE SET	
4	V451000470	3	SPRING, CLUTCH	
5	A551000010	1	PLATE, CLUTCH	
6	17500539132	1	DRUM, CLUTCH	
7	17501200831	1	BEARING, NEEDLE	
8	17501439131	1	WASHER, CLUTCH	



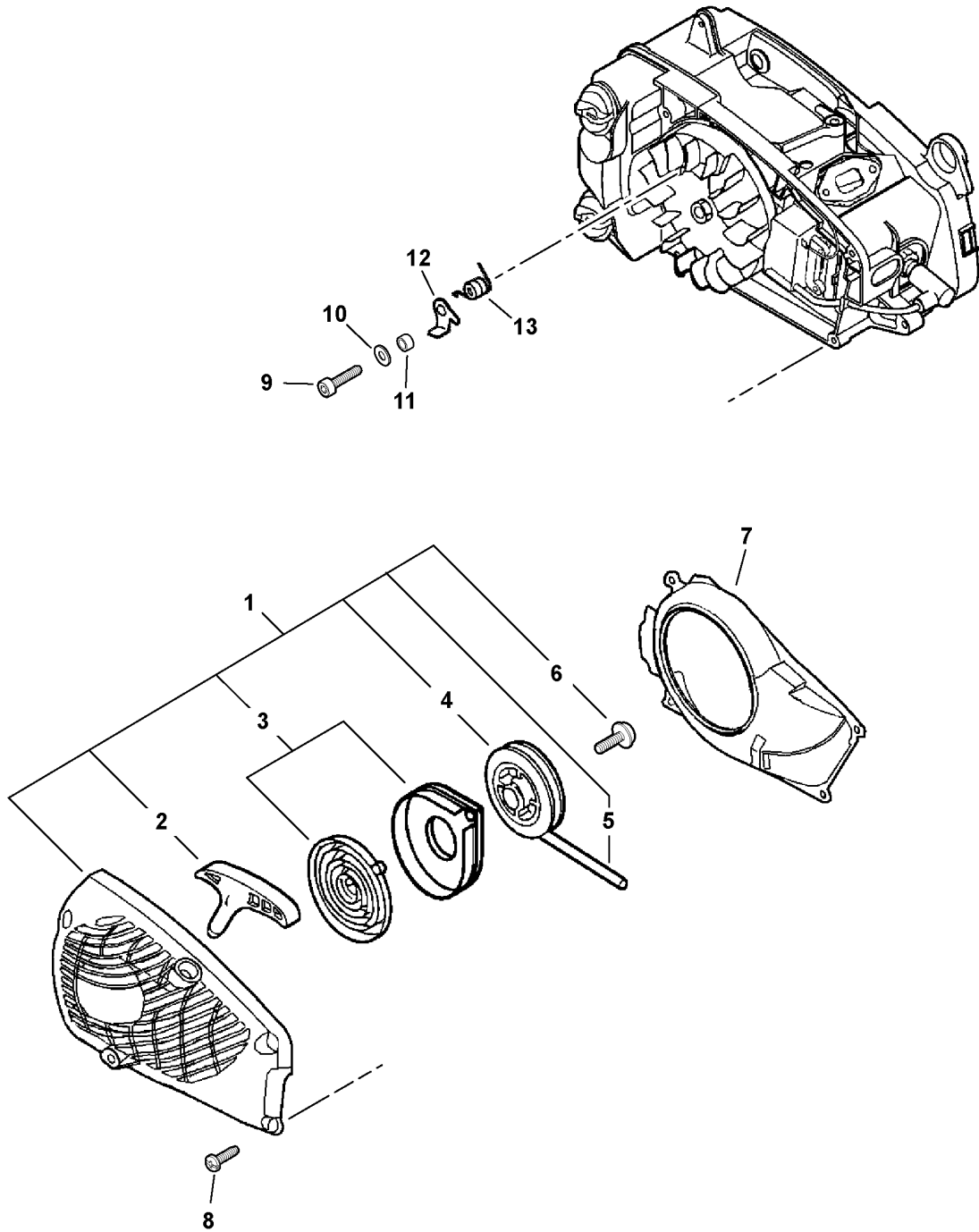
011 0005 CAM

ITEM	PART NUMBER	QTY	DESCRIPTION	REMARKS
1	A320000440	1	COVER, MUFFLER	
2	90025304016	3	SCREW 4X16	
3	V376000740	1	SPACER	
4	A300000551	1	MUFFLER	
5	9136704010	4	SCREW 4X10	
6	A313000720	1	GUIDE, EXHAUST	
7	V104000680	1	GASKET, EXHAUST	
8	A310000030	1	SCREEN	
9	A313000710	1	GUIDE, EXHAUST	
10	90050000005	2	NUT	
11	9228005000	2	WASHER	
12	14564213930	1	EYE PLATE	
13	A301000020	1	GASKET, EXHAUST	



012 0005 CAM

ITEM	PART NUMBER	QTY	DESCRIPTION	REMARKS
1	C400000370	1	HANDLE, FRONT	
2	10091815130	4	CAP	
3	10091532530	1	SCREW	
4	10091060030	1	CUSHION	
5	9148104035	1	SCREW, TAPPING	
6	V352000020	1	COLLAR	
7	V400000021	2	CUSHION	
8	V202000020	2	BOLT	
9	10092139130	1	CUSHION	
10	P021009003	1	REAR HANDLE SET	INCLUDES ITEMS 11-13
11	90025604016	4	SCREW 4X16	
12	13002033330	2	NUT	
13	A202000051	1	BELLOWS, INTAKE	
14	90025305020	2	SCREW 5X20	
15	V452000010	1	SPRING, THROTTLE TRIGGER	
16	C450000010	1	TRIGGER, THROTTLE	
17	C454000070	1	ROD, THROTTLE	
18	A253000043	1	LEVER, CHOKE	
19	A240000010	1	ROD, CHOKE	
20	C460000002	1	LOCKOUT, THROTTLE	
21	V486000010	1	TERMINAL, LEAD	
22	V485000340	1	LEAD, GROUND	
23	16201055930	1	LEAD, IGNITION	
24	A239000000	1	BELLOWS, INTAKE	
25	A127000190	1	COVER, DUST	
26	90025304012	2	SCREW 4X12	
27	90023805012	2	SCREW 5X12	
28	V359000060	1	COLLAR	
29	V470000481	1	PIPE	
30	90016204025	1	BOLT 4X25	
31	C626000040	1	BRACKET, HARNESS	
32	C646000050	1	RING, HARNESS	

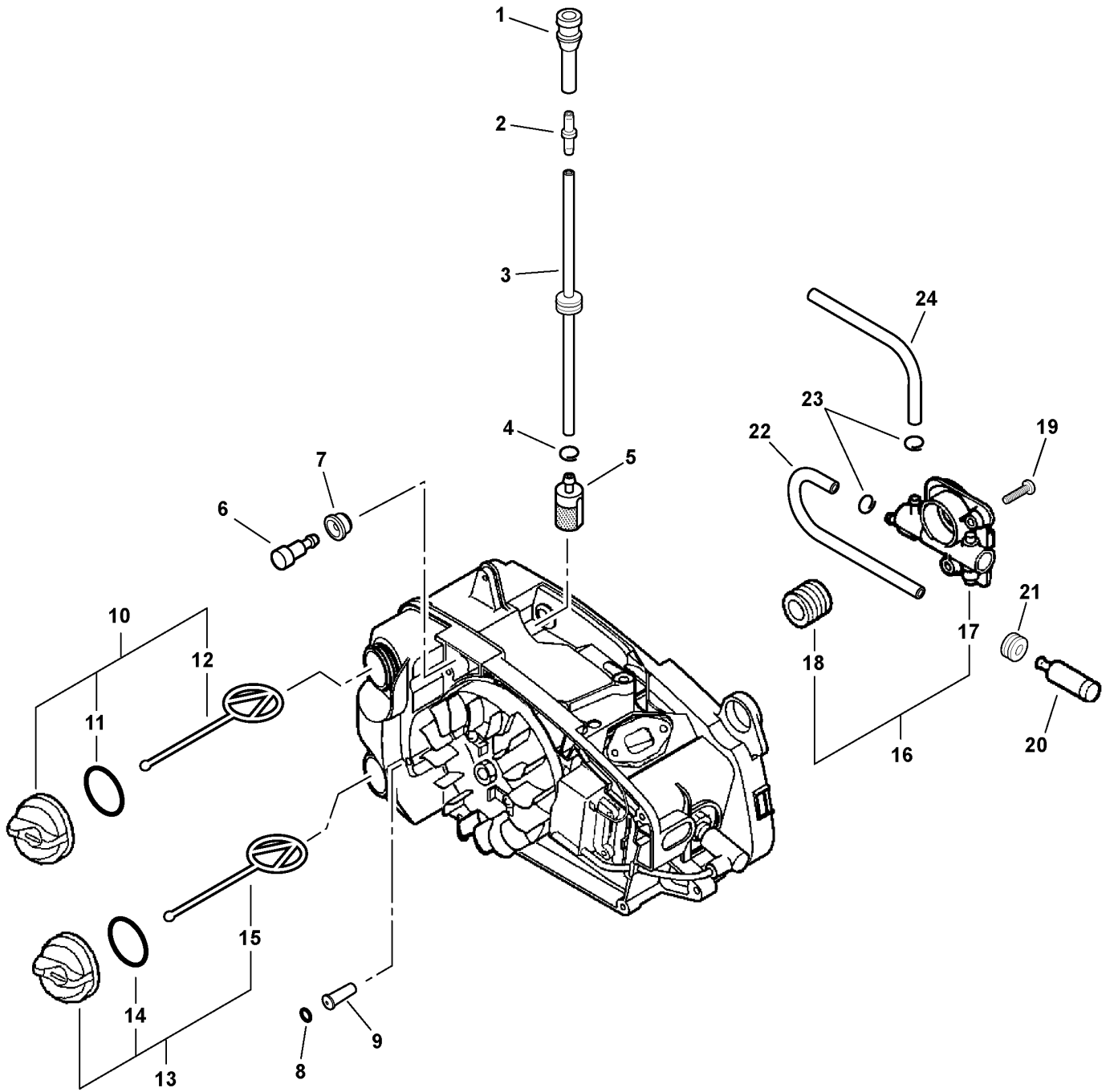


015 0003 CAM

CS-330MX4 Chain Saw

Starter

ITEM	PART NUMBER	QTY	DESCRIPTION	REMARKS
1	A051001170	1	STARTER ASY	INCLUDES ITEMS 2-6
2	P022005890	1	GRIP, STARTER	
3	P022010440	1	REWIND SPRING KIT	
4	P022010451	1	DRUM, STARTER	
5	P022005900	1	ROPE, STARTER	
6	17723644330	1	SCREW	
7	A172000510	1	COVER, FAN	
8	V202000040	4	SCREW	
9	90010505014	2	SCREW 5X14	
10	90060300005	4	WASHER	
11	17724704630	2	SPACER	
12	A514000020	2	PAWL	
13	17723435430	2	SPRING, RETURN	

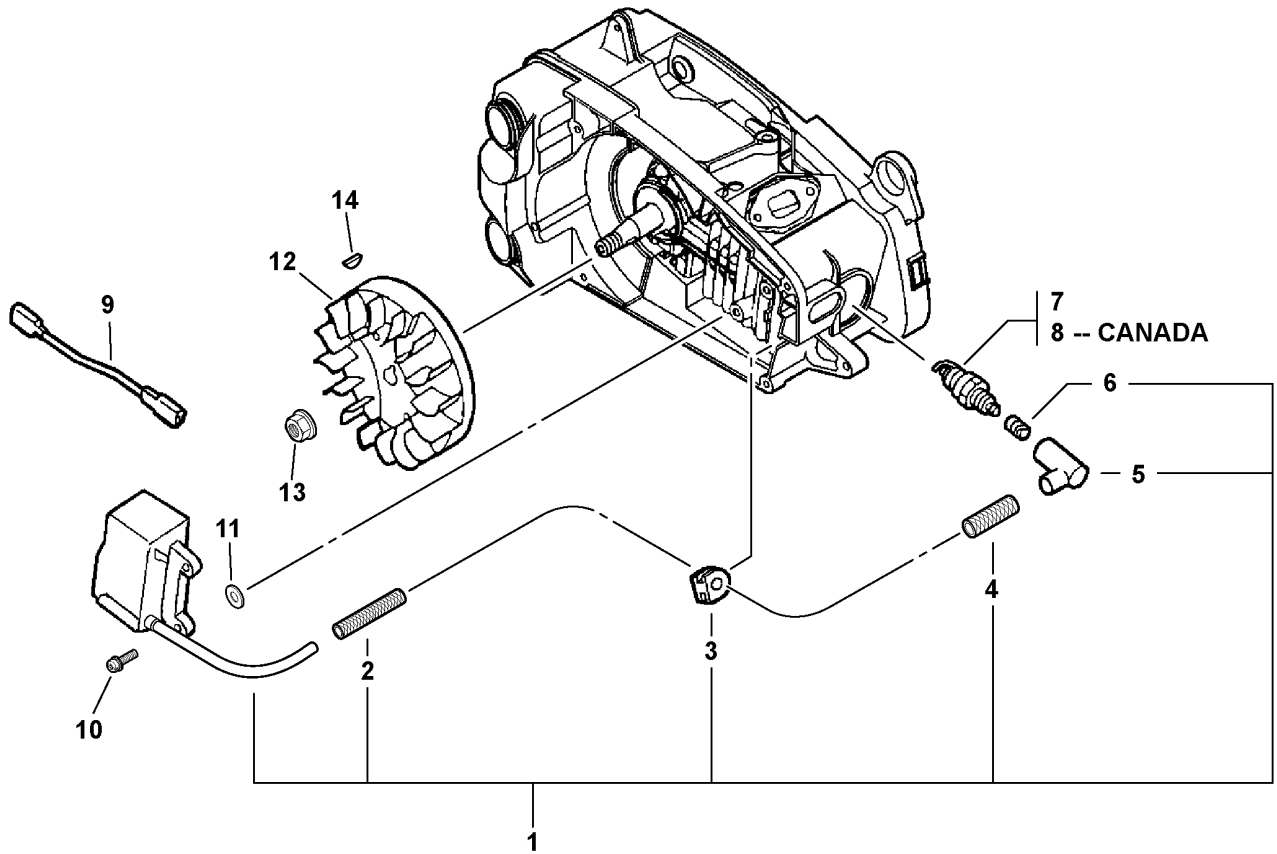


017 0003 000

ITEM	PART NUMBER	QTY	DESCRIPTION	REMARKS
1	V470000690	1	PIPE	
2	V186000020	1	JOINT, PIPE	
3	V471000710	1	FUEL PIPE ASY	
4	13201309820	1	CLIP	
5	13120507320	1	FILTER, FUEL ¹	
6	A356000030	1	VENT ASY	
7	V137000000	1	GROMMET	
8	90072400004	1	O-RING	
9	43611413930	1	VALVE, CHECK	
10	P021005591	1	FUEL CAP ASY	INCLUDES ITEMS 11-12
11	90072000018	1	O-RING	
12	A365000050	1	CONNECTOR, CAP	
13	P021005581	1	OIL CAP ASY	INCLUDES ITEMS 14-15
14	90072000018	1	O-RING	
15	A365000050	1	CONNECTOR, CAP	
16	P021001980	1	AUTO-OILER ASY	INCLUDES ITEMS 17-18
17	C022000000	1	AUTO-OILER	
18	V652000010	1	GEAR, WORM	
19	90023804012	2	SCREW 4X12	
20	43620502832	1	FILTER, OIL	
21	13211501461	1	GROMMET, FUEL	
22	13011005260	1	PIPE, IMPULSE - 3X5X185mm	
23	13201326630	2	CLIP	
24	V471000760	1	PIPE, OIL - 3X6X90mm	

Footnotes

1: Also Included In REPOWER TUNE-UP KIT

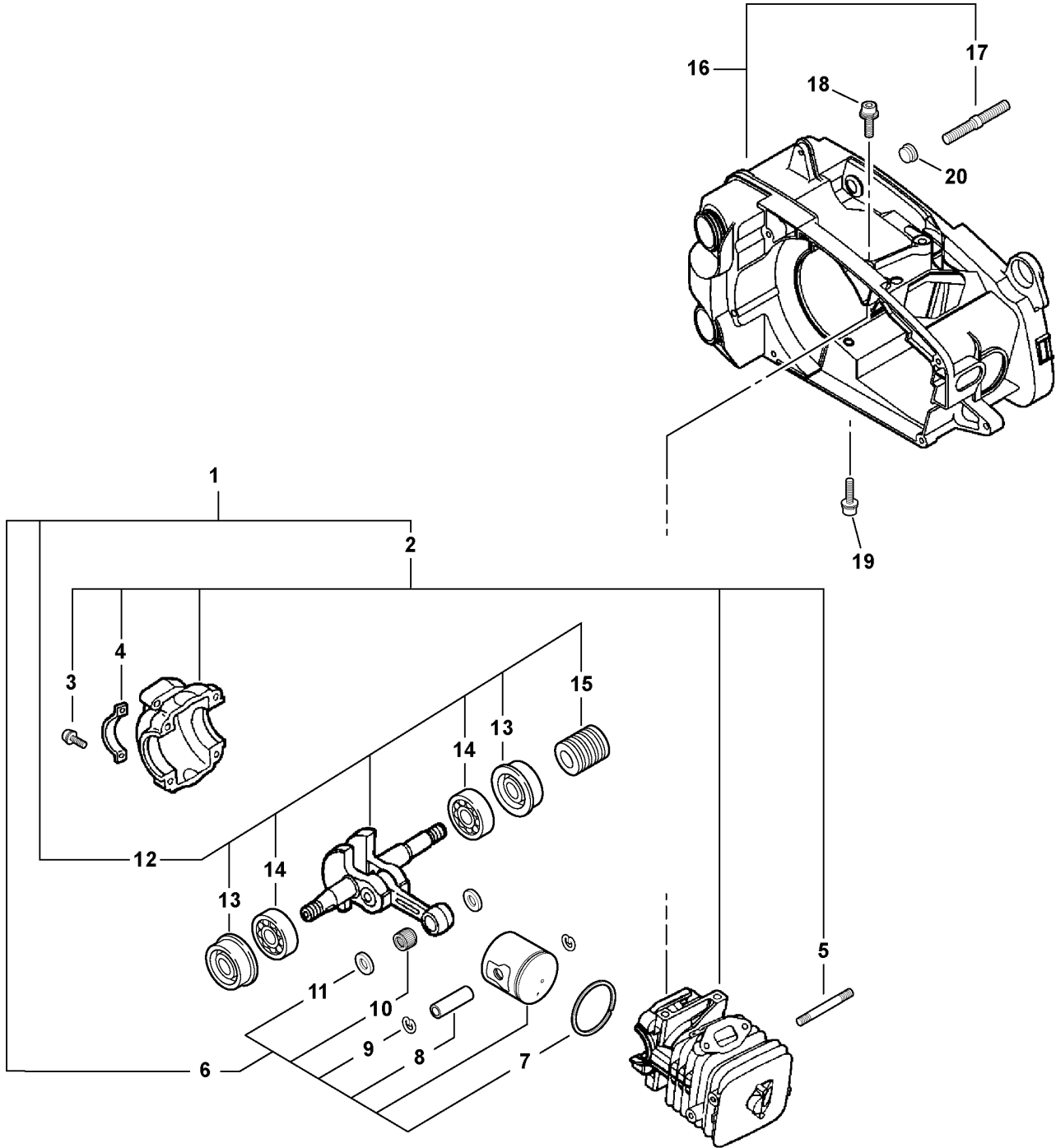


018 0004 000

ITEM	PART NUMBER	QTY	DESCRIPTION	REMARKS
1	A411000242	1	COIL KIT	INCLUDES ITEMS 2-6
2	P003001450	1	TUBE	
3	15611004920	1	BUSHING	
4	P003001440	1	TUBE	
5	A427000020	1	CAP, SPARK PLUG	
6	A426000020	1	TERMINAL, SPARK PLUG CAP	
7	15901019830	1	SPARK PLUG -- BPM-8Y ¹	
8	A425000000	1	SPARK PLUG -- BPMR-8Y ¹	
9	V485000590	1	LEAD, IGNITION	
10	90023805022	2	SCREW 5X22	
11	15011716430	2	SPACER	
12	A409000241	1	FLYWHEEL	
13	90051500008	1	FLANGE NUT	
14	10014212330	1	WOODRUFF KEY	

Footnotes

1: Also Included In REPOWER TUNE-UP KIT



SB1085 0000 CAM

ITEM	PART NUMBER	QTY	DESCRIPTION	REMARKS
1	SB1085	1	SHORT BLOCK	INCLUDES ITEMS 2-15
2	P021008951	1	CRANKCASE KIT	
3	9112805025	4	SCREW 5X25	
4	V150001670	2	BRACKET, CRANKCASE	
5	V223000000	2	BOLT, STUD	
6	P021008980	1	PISTON KIT	
7	10001116131	1	RING, PISTON	
8	10001315330	1	PIN, PISTON	
9	10001504630	2	CIRCLIP, PISTON PIN	
10	V553000040	1	BEARING, NEEDLE	
11	10001460930	2	SPACER, PISTON PIN	
12	P021008992	1	CRANKSHAFT ASY	
13	V505000010	2	OIL SEAL	
14	9403536201	2	BEARING, BALL	
15	V652000010	1	GEAR, WORM	
16	P021013670	1	COVER, ENGINE	INCLUDES ITEM 17
17	V224000030	2	STUD, GUIDE BAR	
18	90010605020	2	SCREW 5X20	
19	90010605030	2	SCREW 5X30	
20	16391130130	1	PLUG	

1

POUR EVITER LES REBONDISSEMENTS

1. Eviter tout contact entre le nez du guide-chaîne et un objet quelconque.
2. Tout contact du nez peut provoquer un mouvement brusque vers le haut ou vers le bas et entraîner de graves blessures.
3. Toujours employer les deux mains pour opérer la scie à chaîne.

2

TO AVOID KICKBACK

1. Contact of the guide bar tip with any object should be avoided.
2. Tip contact may cause the guide bar to move suddenly upward and backward which may cause serious injury.
3. Always use two hands when operating chain saw.

3

CAUTION/ATTENTION

Hearing protectors meeting the requirements of CSA Standard Z94.2 should be worn. Les protecteurs auditifs pouvant être portés doivent recouvrir les normes CSA Standard Z94.2.

4

REPLACEMENT BAR AND CHAIN
REPLACEMENT DU GUIDE ET DE LA CHAÎNE

GUIDE BAR	CHAIN	
PART NO.	TYPE	LINKS
12" 12A0ED3745	OREGON 91VG	45
14" 14A0ED3752	OREGON 91VG	52
16" 16A0ED3757	OREGON 91VG	57

Note: There may be other replacement components for achieving kickback protection. For details, please refer to the bar and chain combination sheet shown in the instruction manual.
REMARQUE: Il y peut y avoir d'autres composantes de remplacement qui protègent en cas de rebondissement. Pour plus de détails se référer à la feuille sur les combinaisons de guide et de chaîne du manuel de l'utilisateur.

5

6

7

8

9

10

11

12

13

14

CS-330MX4

CAUTION: This saw shall be used only by certified tree service professionals. For safe operation follow all safety precautions and instructions in operator's manuals. (Replacement manuals are available from your ECHO dealer.) Hold saw firmly with both hands.

ATTENTION

Les utilisateurs doivent être des professionnels agréés de la coupe d'arbres. Pour une utilisation sûre, suivez toutes les précautions de sécurité et les instructions contenues dans les manuels de l'utilisateur. (Des manuels de remplacement sont disponibles chez votre revendeur ECHO.) Tenez la scie fermement des deux mains.

WARNING

Les utilisateurs doivent être des professionnels agréés de la coupe d'arbres. Pour une utilisation sûre, suivez toutes les précautions de sécurité et les instructions contenues dans les manuels de l'utilisateur. (Des manuels de remplacement sont disponibles chez votre revendeur ECHO.) Tenez la scie fermement des deux mains.

ECHO

ECHO

ECHO

ECHO

ECHO

100 0054 CAN

ITEM	PART NUMBER	QTY	DESCRIPTION	REMARKS
1	X505000460	1	LABEL - KICK BACK (FRENCH)	
2	X505000450	1	LABEL, KICK BACK	
3	89017639431	1	LABEL - NOISE (ENGLISH/FRENCH)	
4	X524001491	1	LABEL, BAR & CHAIN	
5	X524001450	1	LABEL - STOP	
6	X505001730	1	LABEL, ATTENTION	
7	X503008700	1	LABEL - MODEL -- CS-330MX4	
8	X502000620	1	LABEL, ECHO	
9	X507000000	1	LABEL, FUEL/OIL	
10	X502000630	1	LABEL, ECHO	
11	X524001980	1	LABEL, CHAIN BRAKE	
12	89016006360	1	LABEL, CAUTION - HOT	
13	X505002071	1	LABEL, WARNING	
14	X524001970	1	LABEL, CHAIN OIL ADJUST	

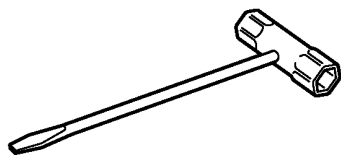
RePower Tune-Up Kit	Contains: Service Number	Description
900100C	A226000291	AIR FILTER
	13120514930	FUEL FILTER
	A425000000	SPARK PLUG BPMR-8Y

<u>ITEM</u>	<u>PART NUMBER</u>	<u>QTY</u>	<u>DESCRIPTION</u>	<u>REMARKS</u>
1	900100C	1	REPOWER TUNE-UP KIT	

WRENCH W/SCREWDRIVER (Also Remove Spark Plugs)

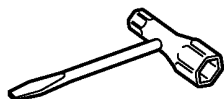
1 - 89541010630 -- 17X19mm

2 - X602000020 -- 17X19mm



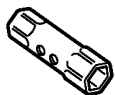
3 - 89541039131 -- 10X19mm

4 - 89541006960 -- 13X19mm



BOX WRENCH

5 - X602000031 -- 17X14.5mm



LOCKING BAR

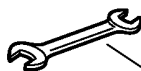
6 - 89751801131 -- 5X120mm



SPANNER

7 - 89511200330 -- 8X10mm

8 - 89512220960 -- 17X19mm



9 - 89501505260 -- 10mm



HEX BAR

10 - 89541220960 -- 10mm



L-WRENCH

11 - 89561203430 -- 3mm



12 - 89561000130 -- 4mm

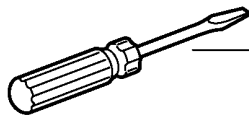


13 - 89561100330 -- 5mm

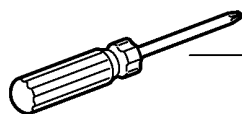


SCREWDRIVER

14 - 89581100130 -- 125mm



15 - 89581203930 -- 50mm



200 0001 000

ITEM	PART NUMBER	QTY	DESCRIPTION	REMARKS
1	89541010630	1	WRENCH/SCREWDRIVER -- 17X19mm	
2	X602000020	1	WRENCH/SCREWDRIVER -- 17X19mm	
3	89541039131	1	WRENCH/SCREWDRIVER -- 10X19mm	
4	89541006960	1	WRENCH/SCREWDRIVER -- 13X19mm	
5	X602000031	1	BOX WRENCH -- 17X14.5mm	
6	89751801131	1	LOCKING BAR -- 5X120mm	
7	89511200330	1	SPANNER -- 8X10mm	
8	89512220960	1	SPANNER -- 17X19mm	
9	89501505260	1	SPANNER -- 10mm	
10	89541220960	1	HEX BAR -- 10mm	
11	89561203430	1	L-WRENCH -- 3mm	
12	89561000130	1	L-WRENCH -- 4mm	
13	89561100330	1	L-WRENCH -- 5mm	
14	89581100130	1	SCREWDRIVER -- 125mm	
15	89581203930	1	SCREWDRIVER -- 50mm	



Part Number Index

Click The Page Number After Any Part Number To View The Diagram Containing That Part.

Part Number	Page	Part Number	Page	Part Number	Page
.....	5, 7	900238050505	P0030003807
1000111613125	9002530401011	P0030011407
1000131533025	9002530401211, 17	P0030013007
1000146093025	9002530401615	P0030013807
1000150463025	9002530502011, 17	P0030013907
1001421233023	9002560401617	P0030014007
1009106003017	9003303026011	P0030014107
1009153253017	9005000000515	P00300144023
1009181513017	9005150000823	P00300145023
1009213913017	9005625000511	P02100198021
123110039307	9006030000519	P02100558121
123113375307	9007200001821	P02100559121
123114039307	9007240000421	P02100581013
123114052607	911280502525	P02100895125
123116105307	913180503211	P02100898025
123120521317	913670401015	P02100899225
123122036607	914810403517	P02100900317
123127150307	91VG45G9	P02101367025
123130029607	91VG52G9	P02200589019
123133042607	91VG57G9	P02200590019
123139039307	922800500015	P02201044019
123149260307	930503009811	P02201045119
12A0ED37459	940353620125	SB108525
1300203333017	A0210011107	V10400068015
1301100526021	A05100117019	V13700000021
1312050732021	A05600007013	V15000167025
1320130982021	A12700019017	V18600002021
1320132663021	A17200051019	V20200002017
1321150146121	A20200005117	V20200004019
1456421393015	A2040000725	V20300004111
14A0ED37529	A2260002915	V22300000025
1501171643023	A2320002905	V22400003025
1561100492023	A2350000405	V35200002017
1590101983023	A23900000017	V35300006011
1620105593017	A24000001017	V35500014011
1639113013025	A25300004317	V35900006017
16A0ED37579	A30000055115	V37600045011
1750053913213	A30100002015	V37600074015
1750120083113	A31000003015	V40000002117
1750143913113	A31300071015	V45000007011
1772343543019	A31300072015	V45100047013
1772364433019	A32000044015	V45200001017
1772470463019	A35600003021	V45200011011
28949019	A36500005021	V47000048117
4330190393311	A40900024123	V47000069021
4330263543011	A41100024223	V47100071021
4331163543011	A42500000023	V47100076021
4331673913011	A42600002023	V48500034017
4361141393021	A42700002023	V48500059023
4362050283221	A51400002019	V48600001017
8901600636027	A55100001013	V50500001025
8901763943127	A55200002013	V55300004025
8950150526031	C02200000021	V65100000111
8951120033031	C03200034011	V65100001111
8951222096031	C30000037011	V65200001021, 25
8954100696031	C30400000011	X50200062027
8954101063031	C30500008011	X50200063027
8954103913131	C30900003011	X50300870027
8954122096031	C32000009011	X50500045027
8956100013031	C32800003011	X50500046027
8956110033031	C33400007011	X50500173027
8956120343031	C34500025011	X50500207127
8958110013031	C40000037017	X50700000027
8958120393031	C45000001017	X52400145027
8975180113131	C45400007017	X52400149127
900100C29	C46000000217	X52400197027
9001050501419	C62600004017	X52400198027
9001060502025	C64600005017	X60200002031
9001060503025	P0030000107	X60200003131
9001620402517	P0030001407		
9002380401221	P0030001607		
9002380501217	P0030002407		
9002380502223	P0030002507		



Part Description Index

Click The Page Number After Any Part Description To View The Diagram Containing That Part.

<p>A</p> <p>AUTO-OILER.....21 AUTO-OILER ASY.....21</p> <p>B</p> <p>BAND, BRAKE.....11 BEARING, BALL.....25 BEARING, NEEDLE.....13, 25 BELLOWS, INTAKE.....17 BODY, CARBURETOR.....7 BOLT.....11, 17 BOLT 4X25.....17 BOLT, STUD.....25 BOX WRENCH -- 17X14.5mm.....31 BRACKET, CRANKCASE.....25 BRACKET, HARNESS.....17 BUMPER, SPIKED.....11 BUSHING.....23</p> <p>C</p> <p>CAP.....17 CAP, MIXTURE LIMITER.....7 CAP, SPARK PLUG.....23 CARBURETOR.....5 CARBURETOR -- WT-739.....7 CATCHER, CHAIN.....11 CHAIN BRAKE ASY.....11 CIRCLIP, PISTON PIN.....25 CLIP.....21 CLIP, CHOKE SHAFT.....7 CLIP, THROTTLE SHAFT.....7 CLUTCH ASY.....13 CLUTCH SHOE SET.....13 COIL KIT.....23 COLLAR.....11, 17 CONNECTOR, CAP.....21 CONNECTOR, BRAKE.....11 COVER, BRAKE.....11 COVER, DUST.....17 COVER, ENGINE.....25 COVER, FAN.....19 COVER, FUEL PUMP.....7 COVER, METERING DIAPHRAGM.....7 COVER, MUFFLER.....15 CRANKCASE KIT.....25 CRANKSHAFT ASY.....25 CUSHION.....17</p> <p>D</p> <p>DIAPHRAGM, FUEL PUMP.....7 DIAPHRAGM, METERING.....7 DRUM, CLUTCH.....13 DRUM, STARTER.....19</p> <p>E</p> <p>ELBOW, CARBURETOR.....5 EYE PLATE.....15</p> <p>F</p> <p>FILTER, AIR.....5 FILTER, FUEL.....21 FILTER, OIL.....21</p>	<p>FLANGE NUT.....11, 23 FLYWHEEL.....23 FUEL CAP ASY.....21 FUEL PIPE ASY.....21</p> <p>G</p> <p>GASKET, EXHAUST.....15 GASKET, FUEL PUMP.....7 GASKET, METERING DIAPHRAGM.....7 GASKET/DIAPHRAGM KIT.....7 GEAR, BEVEL.....11 GEAR, WORM.....21, 25 GRIP, STARTER.....19 GROMMET.....21 GROMMET, FUEL.....21 GUARD, SPROCKET.....11 GUIDE BAR - 12" -- STANDARD WIDTH.....9 GUIDE BAR - 14" -- STANDARD WIDTH.....9 GUIDE BAR - 16" -- STANDARD WIDTH.....9 GUIDE, EXHAUST.....15</p> <p>H</p> <p>HANDLE, FRONT.....17 HEX BAR -- 10mm.....31 HUB, CLUTCH.....13</p> <p>J</p> <p>JOINT, PIPE.....21</p> <p>K</p> <p>KICK GUARD KIT.....9 KNOB, AIR CLEANER LID.....5</p> <p>L</p> <p>LABEL - KICK BACK (FRENCH).....27 LABEL - MODEL -- CS-330MX4.....27 LABEL - NOISE (ENGLISH/FRENCH).....27 LABEL - STOP.....27 LABEL, ATTENTION.....27 LABEL, BAR & CHAIN.....27 LABEL, CAUTION - HOT.....27 LABEL, CHAIN BRAKE.....27 LABEL, CHAIN OIL ADJUST.....27 LABEL, ECHO.....27 LABEL, FUEL/OIL.....27 LABEL, KICK BACK.....27 LABEL, WARNING.....27 LEAD, GROUND.....17 LEAD, IGNITION.....17, 23 LEVER, BRAKE.....11 LEVER, CHOKE.....17 LEVER, FAST IDLE.....7 LEVER, METERING.....7 LEVER, THROTTLE.....7 LID, AIR CLEANER.....5 LOCKING BAR -- 5X120mm.....31 LOCKNUT.....11 LOCKOUT, THROTTLE.....17 L-WRENCH -- 3mm.....31 L-WRENCH -- 4mm.....31 L-WRENCH -- 5mm.....31</p>	<p>M</p> <p>MUFFLER.....15</p> <p>N</p> <p>NEEDLE, ADJUSTMENT.....7 NUT.....15, 17</p> <p>O</p> <p>OIL CAP ASY.....21 OIL SEAL.....25 O-RING.....21</p> <p>P</p> <p>PAWL.....19 PIN, METERING LEVER.....7 PIN, PISTON.....25 PIPE.....17, 21 PIPE, IMPULSE - 3X5X185mm.....21 PIPE, OIL - 3X6X90mm.....21 PISTON KIT.....25 PLATE, CLUTCH.....13 PLATE, SPROCKET GUARD.....11 PLUG.....25 PLUG, WELCH.....7</p> <p>R</p> <p>REAR HANDLE SET.....17 REPAIR KIT.....7 REPOWER TUNE-UP KIT.....29 REWIND SPRING KIT.....19 RING, HARNESS.....17 RING, PISTON.....25 ROD, CHOKE.....17 ROD, THROTTLE.....17 ROLLER.....11 ROPE, STARTER.....19</p> <p>S</p> <p>SAWING CHAIN - 12" -- STANDARD WIDTH..... 9 SAWING CHAIN - 14" -- STANDARD WIDTH..... 9 SAWING CHAIN - 16" -- STANDARD WIDTH..... 9 SCREEN.....15 SCREEN, INLET.....7 SCREW.....17, 19 SCREW 4X10.....11, 15 SCREW 4X12.....11, 17, 21 SCREW 4X16.....15, 17 SCREW 5X12.....17 SCREW 5X14.....19 SCREW 5X20.....11, 17, 25 SCREW 5X22.....23 SCREW 5X25.....25 SCREW 5X30.....25 SCREW 5X32.....11 SCREW 5X50.....5 SCREW, CHOKE VALVE.....7 SCREW, DIAPHRAGM COVER.....7 SCREW, IDLE ADJUST.....7 SCREW, METERING LEVER PIN.....7</p>
--	--	--



Part Description Index (continued)

SCREW, PUMP COVER.....7
 SCREW, TAPPING.....17
 SCREW, THROTTLE LEVER.....7
 SCREW, THROTTLE VALVE.....7
 SCREWDRIVER -- 125mm.....31
 SCREWDRIVER -- 50mm.....31
 SHAFT, CHOKE.....7
 SHAFT, THROTTLE.....7
 SHORT BLOCK.....25
 SPACER.....11, 15, 19, 23
 SPACER, PISTON PIN.....25
 SPANNER -- 10mm.....31
 SPANNER -- 17X19mm.....31
 SPANNER -- 8X10mm.....31
 SPARK PLUG -- BPM-8Y.....23
 SPARK PLUG -- BPMR-8Y.....23
 SPRING.....11
 SPRING, CHOKE RETURN.....7
 SPRING, CLUTCH.....13
 SPRING, IDLE ADJUST.....7
 SPRING, METERING LEVER.....7
 SPRING, RETURN.....19
 SPRING, THROTTLE RETURN.....7
 SPRING, THROTTLE TRIGGER.....17
 STARTER ASY.....19
 STUD, GUIDE BAR.....25

T

TENSIONER, CHAIN.....11
 TERMINAL, LEAD.....17
 TERMINAL, SPARK PLUG CAP.....23
 TRIGGER, THROTTLE.....17
 TUBE.....23

V

VALVE, CHECK.....21
 VALVE, CHOKE.....7
 VALVE, INLET NEEDLE.....7
 VALVE, THROTTLE.....7
 VENT ASY.....21

W

WASHER.....7, 15, 19
 WASHER, CLUTCH.....13
 WOODRUFF KEY.....23
 WRENCH/SCREWDRIVER -- 10X19mm.....31
 WRENCH/SCREWDRIVER -- 13X19mm.....31
 WRENCH/SCREWDRIVER -- 17X19mm.....31

NOTES



ECHO, INCORPORATED

400 Oakwood Road
Lake Zurich, IL 60047 USA

WWW.ECHO-USA.COM
