



OPTIONAL ATTACHMENTS & ACCESSORIES**Accessories**

89850308032 Bar & Chain Cover - 17"

99988800307 Debris Shield

99988800309 CS Lanyard Strap w_Snap

Guide Bars

12A0CD3745 Guide Bar - 12" (.050" Ga)

12A0ED3745 Guide Bar - 12" (.050" Ga)

14A0CD3752 Guide Bar - 14" (.050" Ga)

16A0CD3757 Guide Bar - 16" (.050" Ga)

16A0ED3757 Guide Bar - 16" (.050" Ga)

PARTS CATALOG
CS-330T Chain Saw**32.6cc (CALIFORNIA ONLY)****SERIAL NUMBERS**

S/N: C07711001001 - C07711999999

ECHO, INCORPORATED

400 Oakwood Road Lake Zurich, Illinois 60047 USA

WWW.ECHO-USA.COM



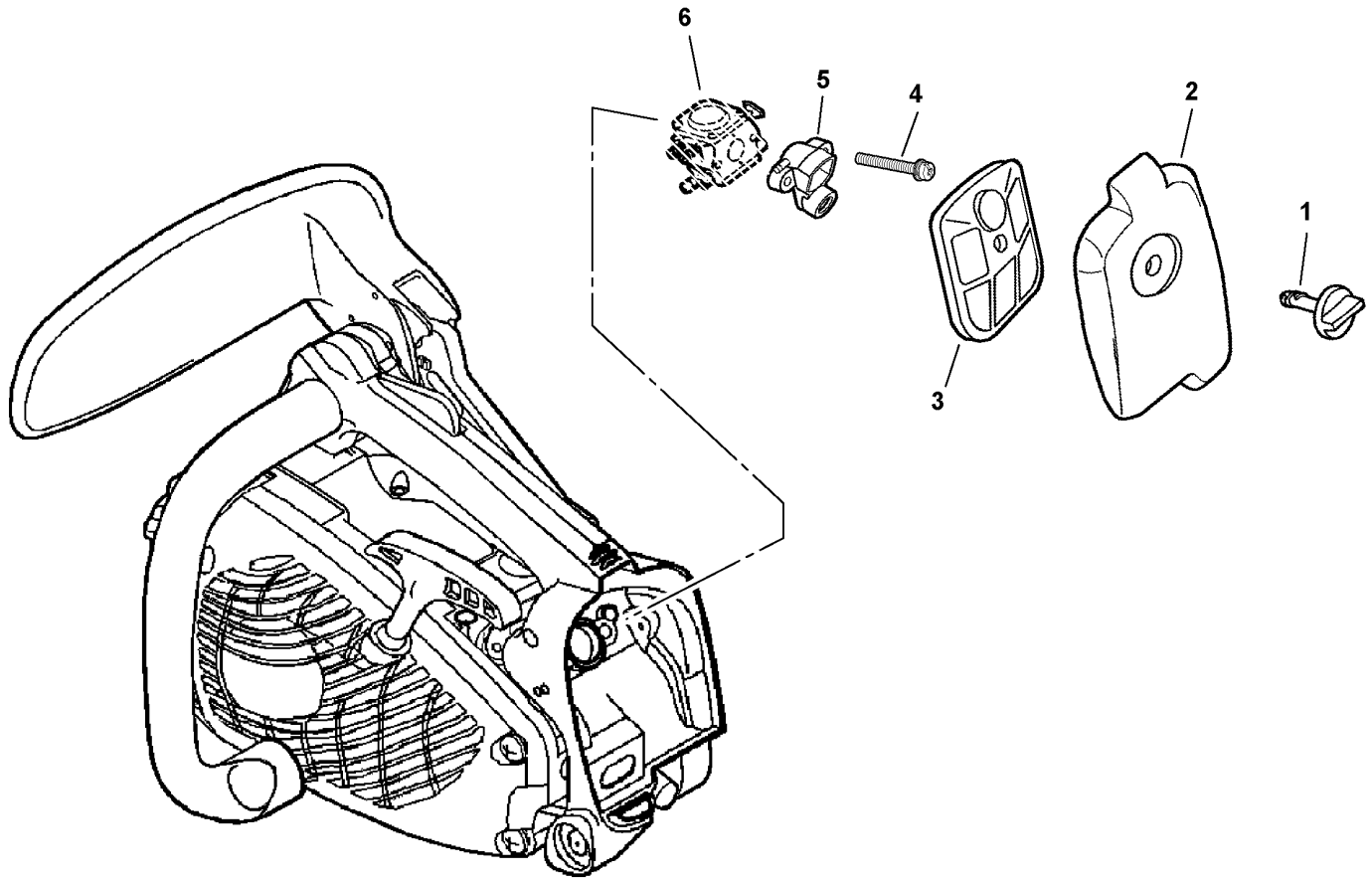
Table of Contents

Click Any Diagram Description Below To View That Diagram.

CS-330T S/N: C07711001001 - C07711999999

Intake.....	4
Carburetor -- WT-739.....	6
Exhaust.....	8
Chain Brake -- GRAY MODELS.....	10
Chain Brake -- ORANGE MODELS.....	12
Standard Guide Bar, Sawing Chain, Kick Guard.....	14
Clutch.....	16
Handles, Throttle Control S/N: C07711001001 - C07711002876.....	18
Handles, Throttle Control S/N: C07711002877 - C07711999999.....	20
Starter -- GRAY MODELS.....	22
Starter -- ORANGE MODELS.....	24
Fuel System, Auto-Oiler.....	26
Ignition S/N: C07711001001 - C07711005410.....	28
Ignition S/N: C07711005411 - C07711999999.....	30
Engine, Short Block -- SB1085 - GRAY MODELS.....	32
Engine, Short Block -- SB1085 - ORANGE MODELS.....	34
Labels.....	36
RePower Tune-Up Kit.....	38
Tools.....	40
Part Number Index.....	42
Part Description Index.....	43

This Page Intentionally Left Blank

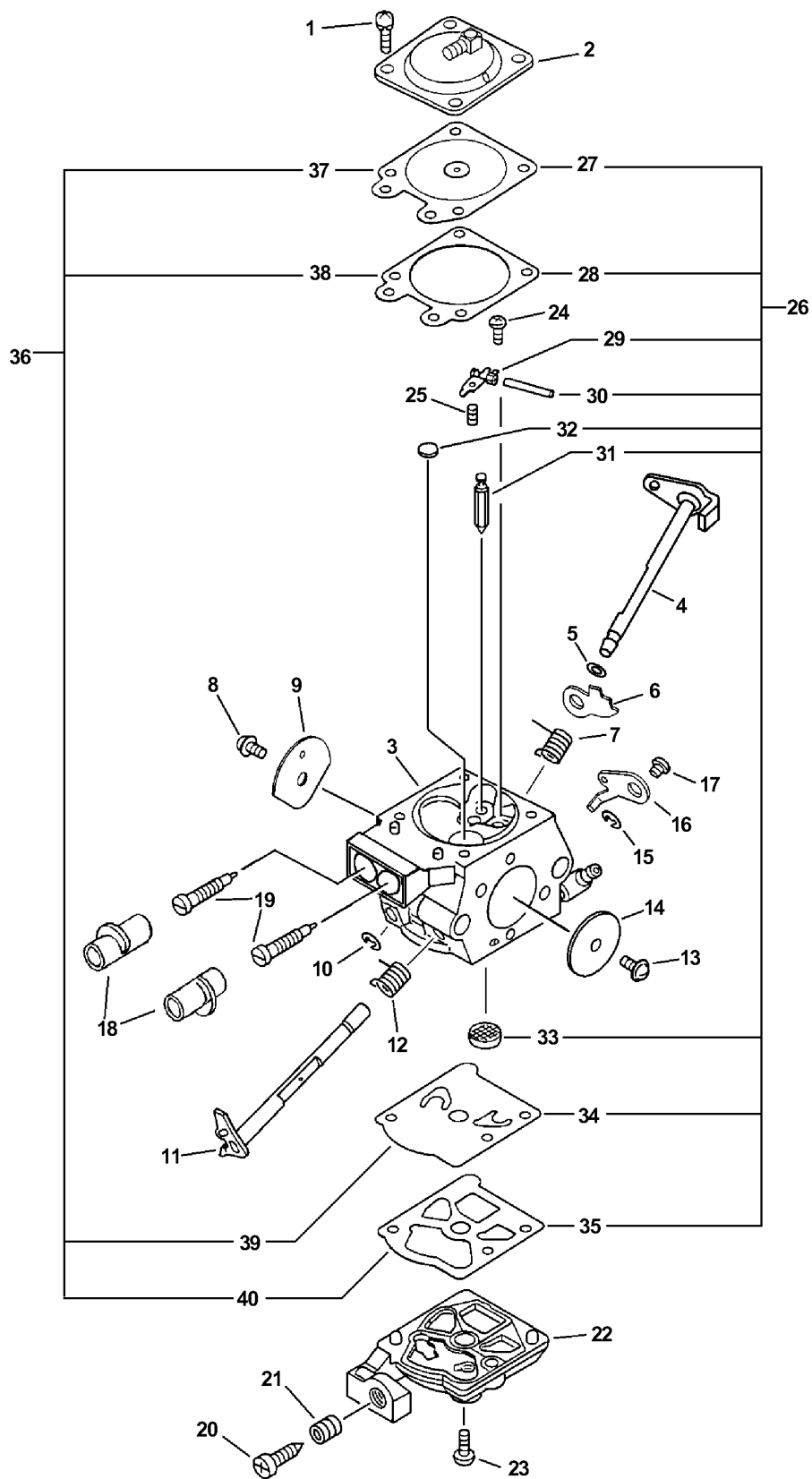


010 0006 000

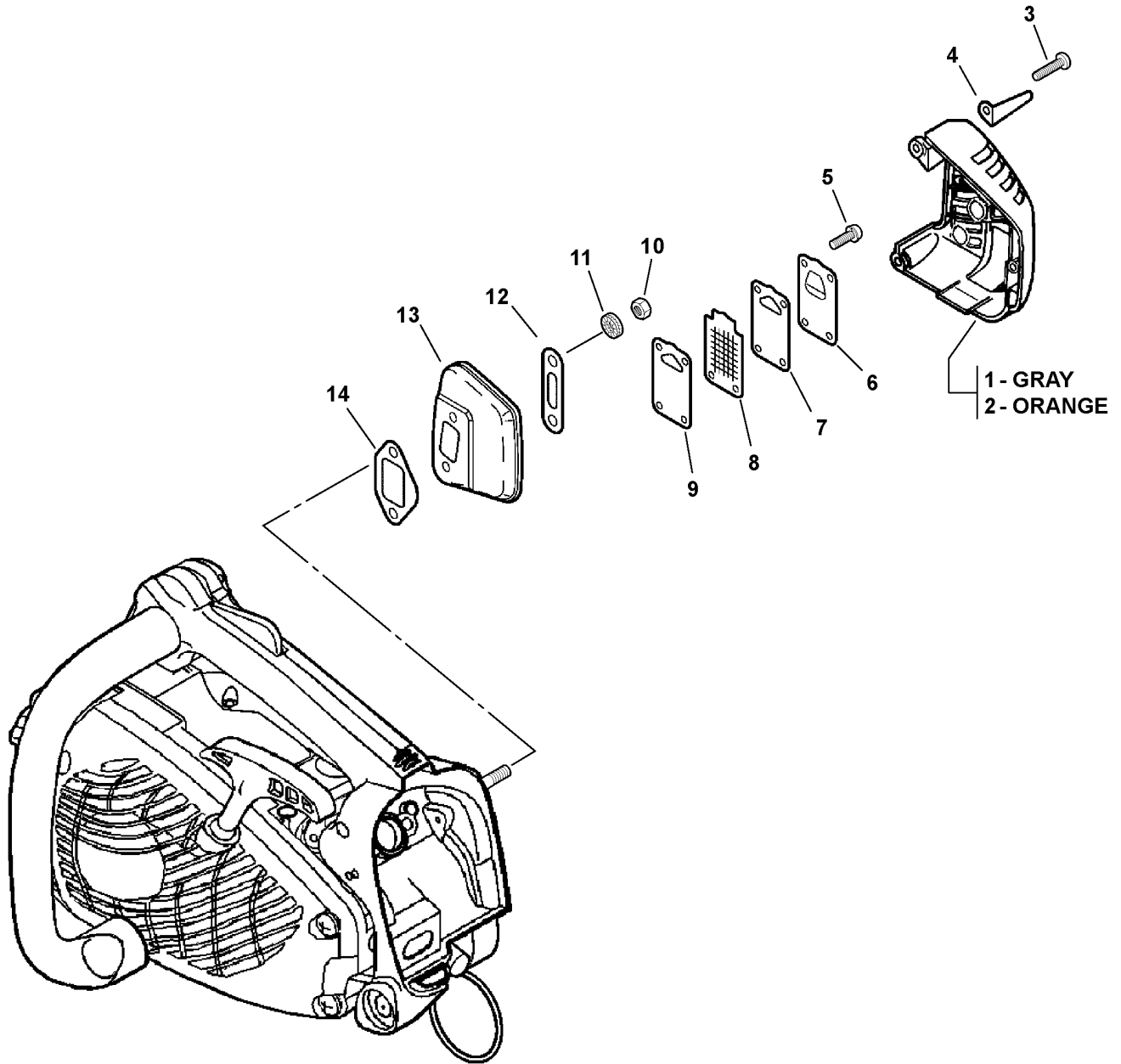
ITEM	PART NUMBER	QTY	DESCRIPTION	REMARKS
1	A235000040	1	KNOB, AIR CLEANER LID	
2	A232000290	1	LID, AIR CLEANER	
3	A226000291	1	FILTER, AIR ¹	
4	90023805050	2	SCREW 5X50	
5	A204000072	1	ELBOW, CARBURETOR	
6	-----	1	CARBURETOR ²	

Footnotes

- 1:** Also Included In REPOWER TUNE-UP KIT
- 2:** See Carburetor Diagram For Additional Information

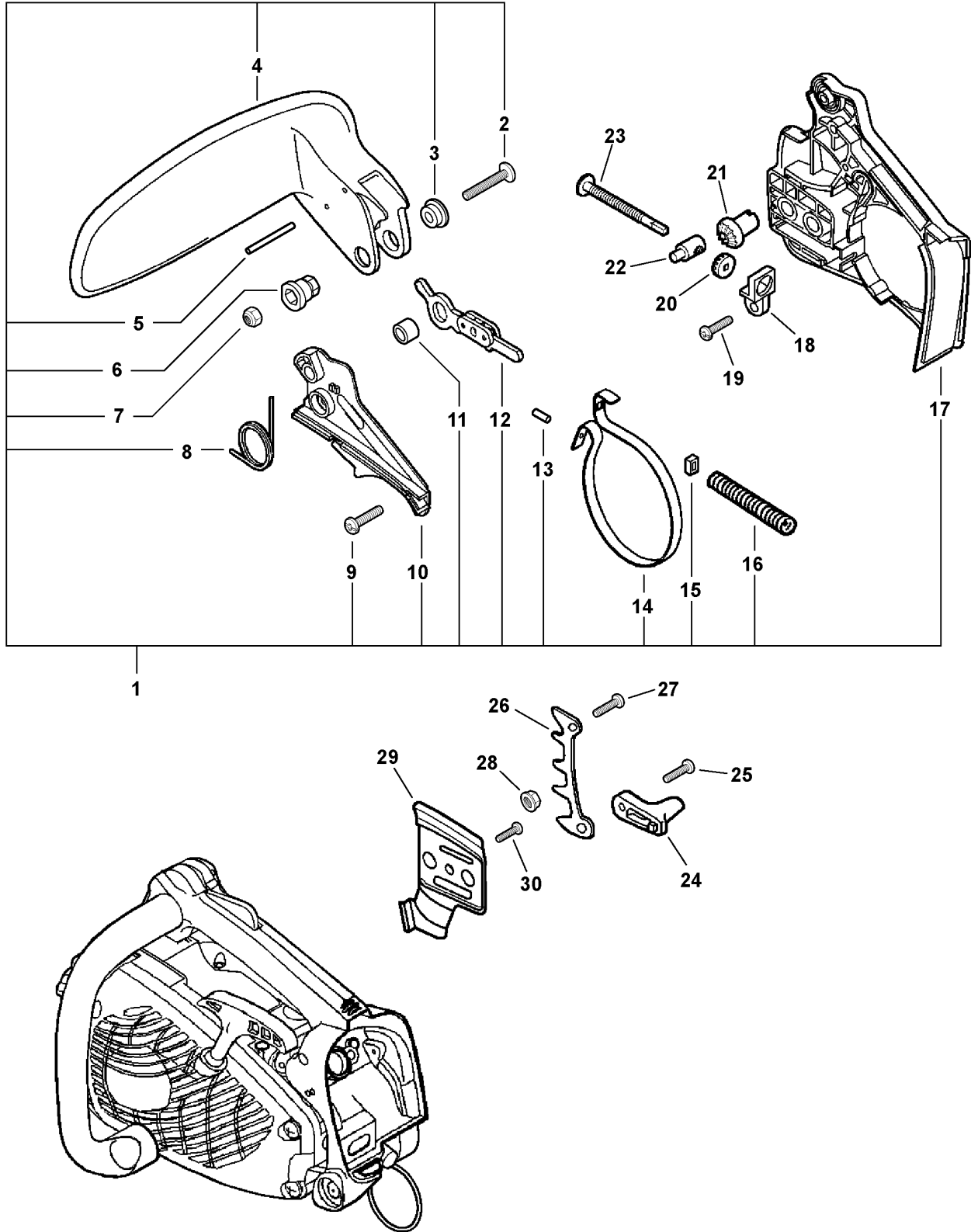


ITEM	PART NUMBER	QTY	DESCRIPTION	REMARKS
	A021001110	1	CARBURETOR -- WT-739	
1	12313002960	4	SCREW, DIAPHRAGM COVER	
2	P003001390	1	COVER, METERING DIAPHRAGM	
3	-----	1	BODY, CARBURETOR	NOT AVAILABLE SEPARATELY
4	P003001140	1	SHAFT, CHOKE	
5	12314926030	1	WASHER	
6	P003000160	1	LEVER, FAST IDLE	
7	P003000140	1	SPRING, CHOKE RETURN	
8	12311403930	1	SCREW, CHOKE VALVE	
9	P003001410	1	VALVE, CHOKE	
10	12312715030	1	CIRCLIP	
11	P003001300	1	SHAFT, THROTTLE	
12	12311337530	1	SPRING, THROTTLE RETURN	
13	12311405260	1	SCREW, THROTTLE VALVE	
14	12311610530	1	VALVE, THROTTLE	
15	12312715030	1	CIRCLIP	
16	P003000380	1	LEVER, THROTTLE	
17	12311403930	1	SCREW, THROTTLE LEVER	
18	P003000010	2	CAP, MIXTURE LIMITER	
19	12312052131	2	NEEDLE, ADJUSTMENT	
20	P003001400	1	SCREW, IDLE ADJUST	
21	12313304260	1	SPRING, IDLE ADJUST	
22	P003001380	1	COVER, FUEL PUMP	
23	12311003930	1	SCREW, PUMP COVER	
24	12313903930	1	SCREW, METERING LEVER PIN	
25	12312203660	1	SPRING, METERING LEVER	
26	P003000250	1	REPAIR KIT	INCLUDES ITEM 27-35
27	-----	1	DIAPHRAGM, METERING	
28	-----	1	GASKET, METERING DIAPHRAGM	
29	-----	1	LEVER, METERING	
30	-----	1	PIN, METERING LEVER	
31	-----	1	VALVE, INLET NEEDLE	
32	-----	1	PLUG, WELCH	
33	-----	1	SCREEN, INLET	
34	-----	1	DIAPHRAGM, FUEL PUMP	
35	-----	1	GASKET, FUEL PUMP	
36	P003000240	1	GASKET/DIAPHRAGM KIT	INCLUDES ITEM 37-40
37	-----	1	DIAPHRAGM, METERING	
38	-----	1	GASKET, METERING DIAPHRAGM	
39	-----	1	DIAPHRAGM, FUEL PUMP	
40	-----	1	GASKET, FUEL PUMP	



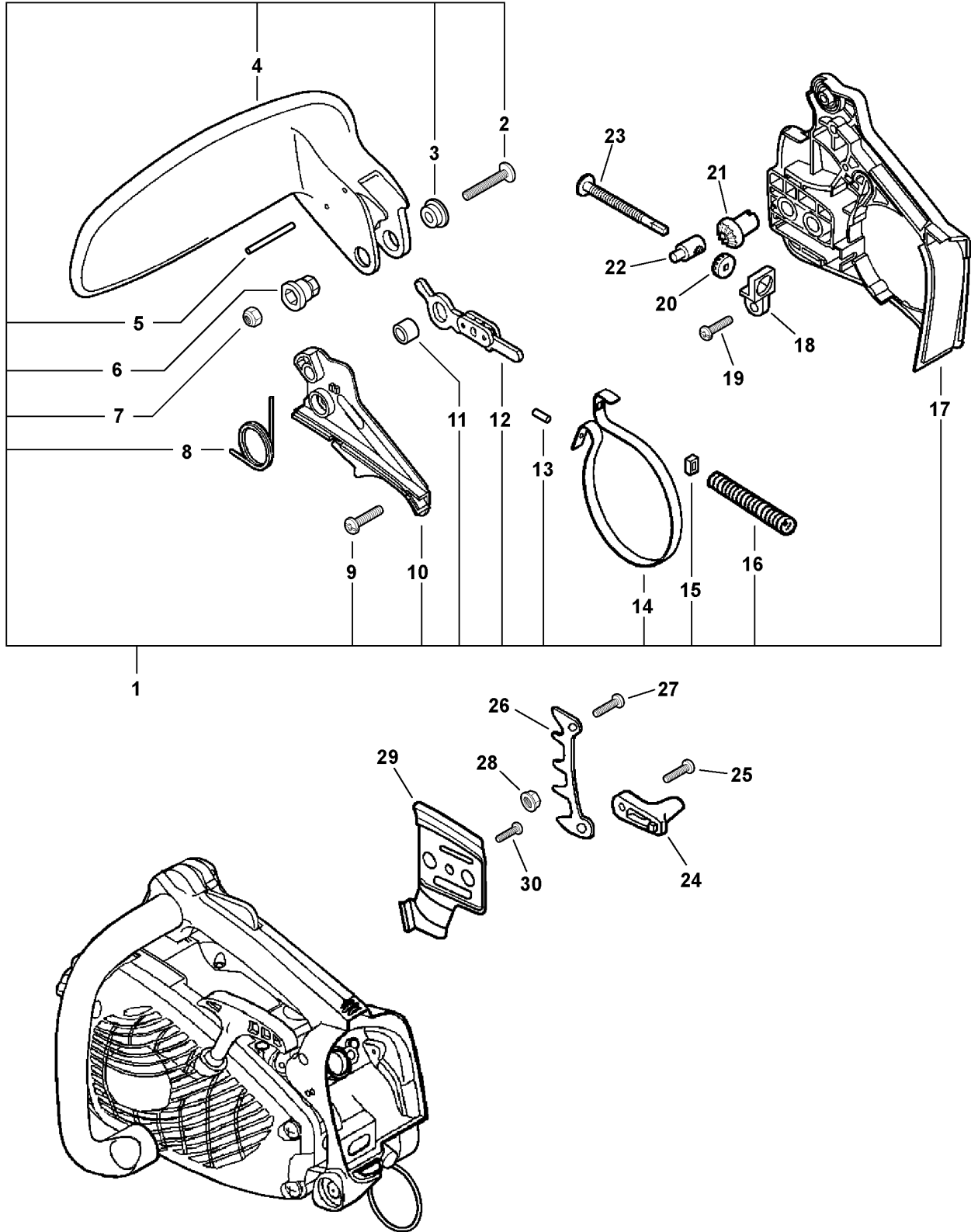
011 0005 000

ITEM	PART NUMBER	QTY	DESCRIPTION	REMARKS
1	A320000322	1	COVER, MUFFLER - GRAY	
2	A320000490	1	COVER, MUFFLER - ORANGE	
3	90025304016	3	SCREW 4X16 - TAPPING	
4	V376000740	1	SPACER	
5	9136704012	4	SCREW 4X12	
6	A313000721	1	GUIDE, EXHAUST	
7	V104000680	1	GASKET, EXHAUST	
8	A310000030	1	SCREEN	
9	A313000710	1	GUIDE, EXHAUST	
10	90050000005	2	NUT	
11	9228005000	2	WASHER	
12	14564213930	1	EYE PLATE	
13	A300000551	1	MUFFLER	
14	A301000020	1	GASKET, EXHAUST	



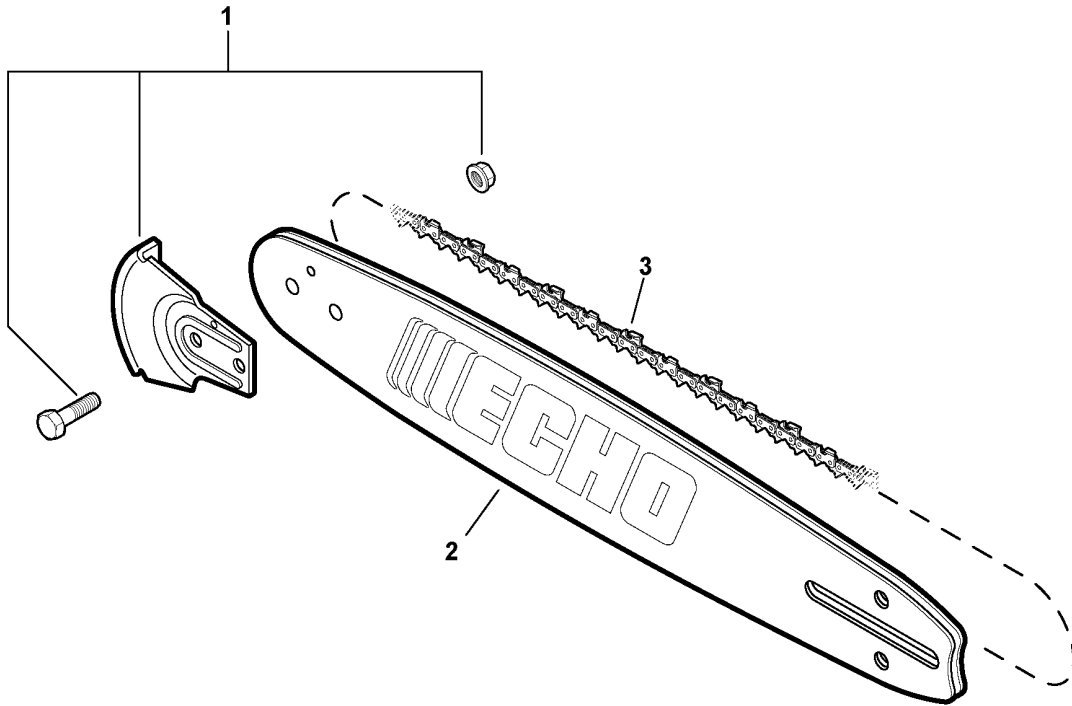
013 0006 GRA

ITEM	PART NUMBER	QTY	DESCRIPTION	REMARKS
1	C032000261	1	CHAIN BRAKE ASY	INCLUDES ITEMS 2-17
2	9131805032	1	SCREW 5X32	
3	43316739130	1	SPACER	
4	C320000090	1	LEVER, BRAKE - ORANGE	
5	90033030260	2	ROLLER	
6	V353000060	1	COLLAR	
7	90056250005	1	FLANGE NUT 5	
8	V452000110	1	SPRING	
9	90025304012	3	SCREW 4X12 - TAPPING	
10	C345000191	1	COVER, BRAKE - GRAY	
11	43311635430	1	SPACER 8X12X9	
12	C334000070	1	CONNECTOR, BRAKE	
13	9305030098	1	ROLLER	
14	C328000030	1	BAND, BRAKE	
15	V376000450	1	SPACER	
16	V450000070	1	SPRING	
17	C300000291	1	GUARD, SPROCKET - GRAY	
18	V355000140	1	COLLAR	
19	90025304012	1	SCREW 4X12 - TAPPING	
20	V651000011	1	GEAR, BEVEL	
21	V651000001	1	GEAR, BEVEL	
22	C309000030	1	TENSIONER, CHAIN	
23	V203000041	1	BOLT 5	
24	43302635430	1	CATCHER, CHAIN	
25	90025305020	1	SCREW 5X20 - TAPPING	
26	C304000000	1	BUMPER, SPIKED	
27	90025305020	1	SCREW 5X20 - TAPPING	
28	43301903933	2	FLANGE NUT	
29	C305000080	1	PLATE, SPROCKET GUARD	
30	90025304010	1	SCREW 4X10	



013 0006 ORA

ITEM	PART NUMBER	QTY	DESCRIPTION	REMARKS
1	P021016470	1	CHAIN BRAKE ASY	INCLUDES ITEMS 2-17
2	9131805032	1	SCREW 5X32	
3	43316739130	1	SPACER	
4	C320000190	1	LEVER, BRAKE - BLACK	
5	90033030260	2	ROLLER	
6	V353000060	1	COLLAR	
7	90056250005	1	FLANGE NUT 5	
8	V452000110	1	SPRING	
9	90025304012	3	SCREW 4X12 - TAPPING	
10	C345000310	1	COVER, BRAKE - ORANGE	
11	43311635430	1	SPACER 8X12X9	
12	C334000070	1	CONNECTOR, BRAKE	
13	9305030098	1	ROLLER	
14	C328000030	1	BAND, BRAKE	
15	V376000450	1	SPACER	
16	V450000070	1	SPRING	
17	C300000420	1	GUARD, SPROCKET - ORANGE	
18	V355000140	1	COLLAR	
19	90025304012	1	SCREW 4X12 - TAPPING	
20	V651000011	1	GEAR, BEVEL	
21	V651000001	1	GEAR, BEVEL	
22	C309000030	1	TENSIONER, CHAIN	
23	V203000041	1	BOLT 5	
24	43302635430	1	CATCHER, CHAIN	
25	90025305020	1	SCREW 5X20 - TAPPING	
26	C304000000	1	BUMPER, SPIKED	
27	90025305020	1	SCREW 5X20 - TAPPING	
28	43301903933	2	FLANGE NUT	
29	C305000080	1	PLATE, SPROCKET GUARD	
30	90025304010	1	SCREW 4X10	

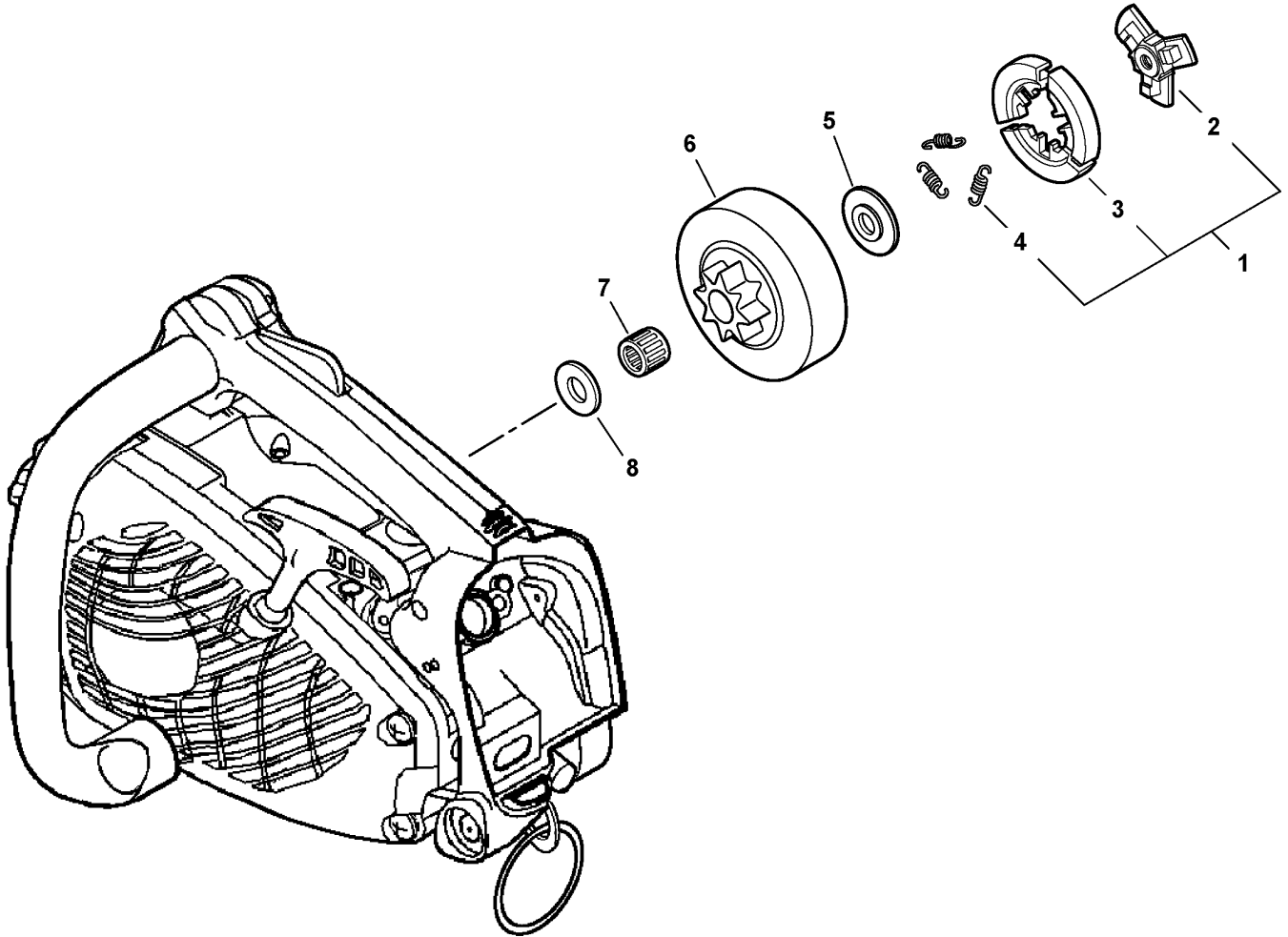


016 0004 000

ITEM	PART NUMBER	QTY	DESCRIPTION	REMARKS
1	2894901	1	KICK GUARD KIT	
2	14A0ED3752	1	GUIDE BAR - 14" -- Pro 91	GAUGE: .050"
3	91VG52CQ	1	SAWING CHAIN - 14" -- XtraGUARD ¹	GAUGE: .050" / PITCH: .375"

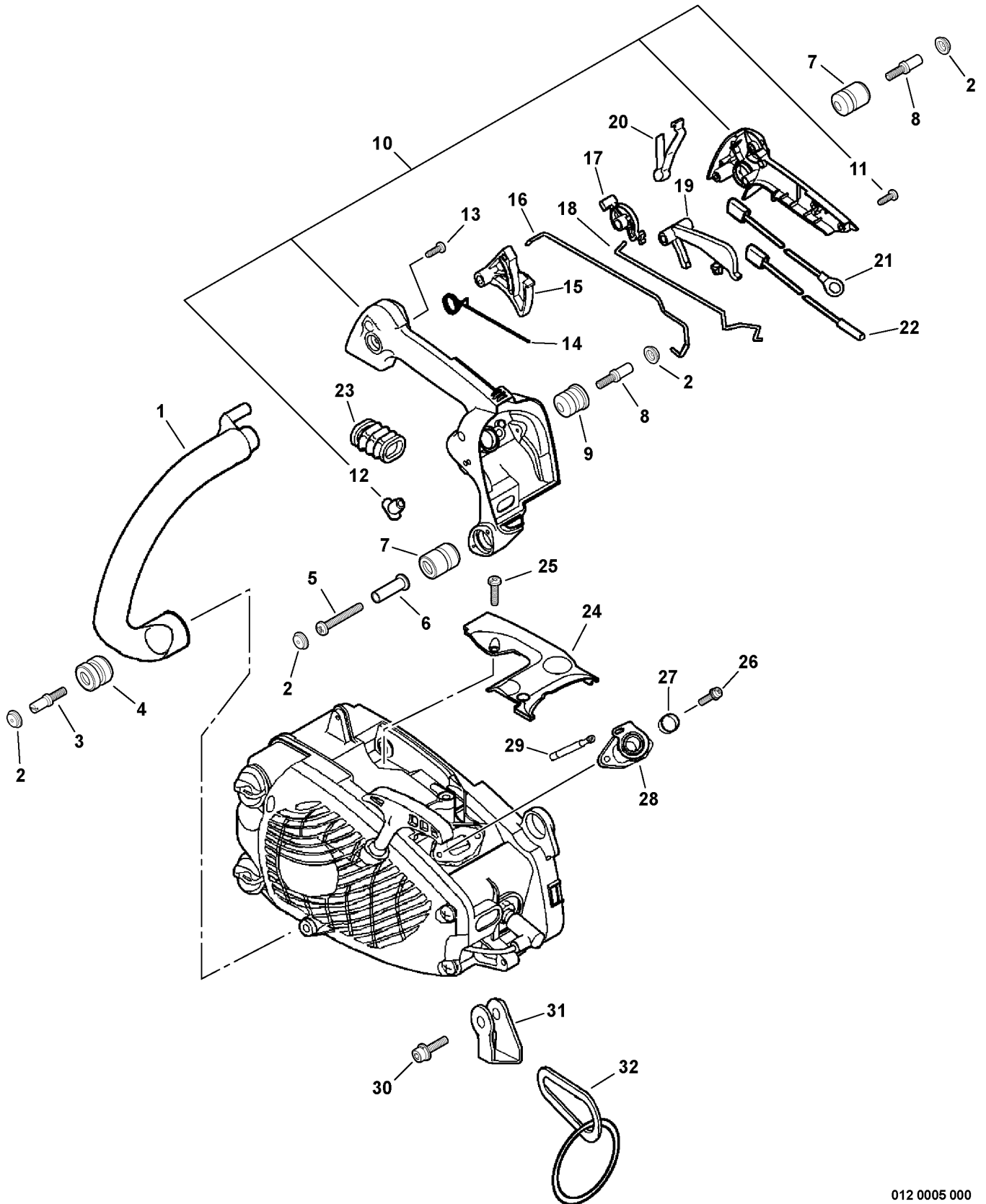
Footnotes

¹: Low Vibration



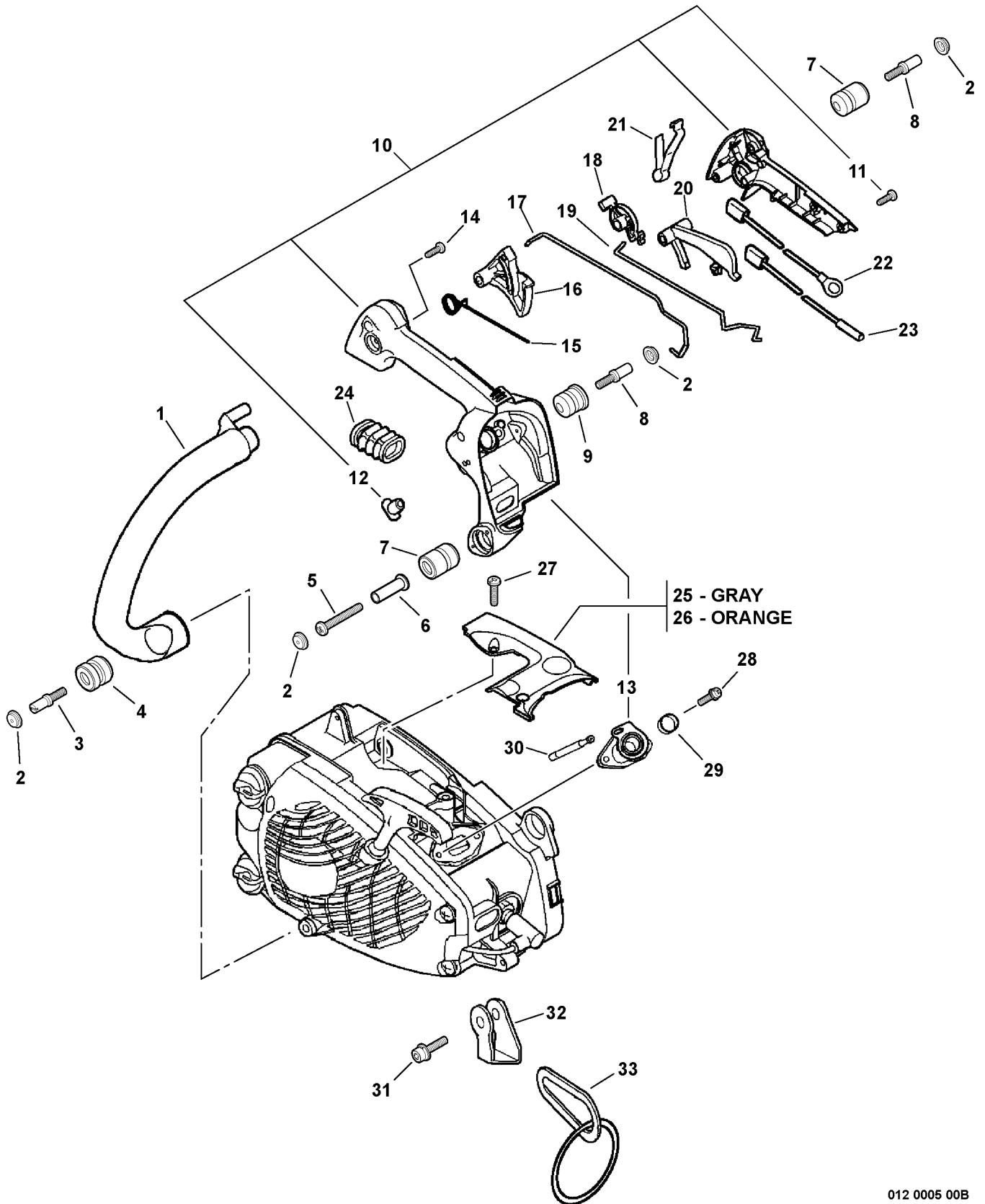
014 0004 000

ITEM	PART NUMBER	QTY	DESCRIPTION	REMARKS
1	A056000070	1	CLUTCH ASY	INCLUDES ITEMS 2-4
2	A552000020	1	HUB, CLUTCH	
3	P021005810	1	CLUTCH SHOE SET	
4	V451000470	3	SPRING, CLUTCH	
5	A551000010	1	PLATE, CLUTCH	
6	17500539132	1	DRUM, CLUTCH	
7	17501200831	1	BEARING, NEEDLE	
8	17501439131	1	WASHER	



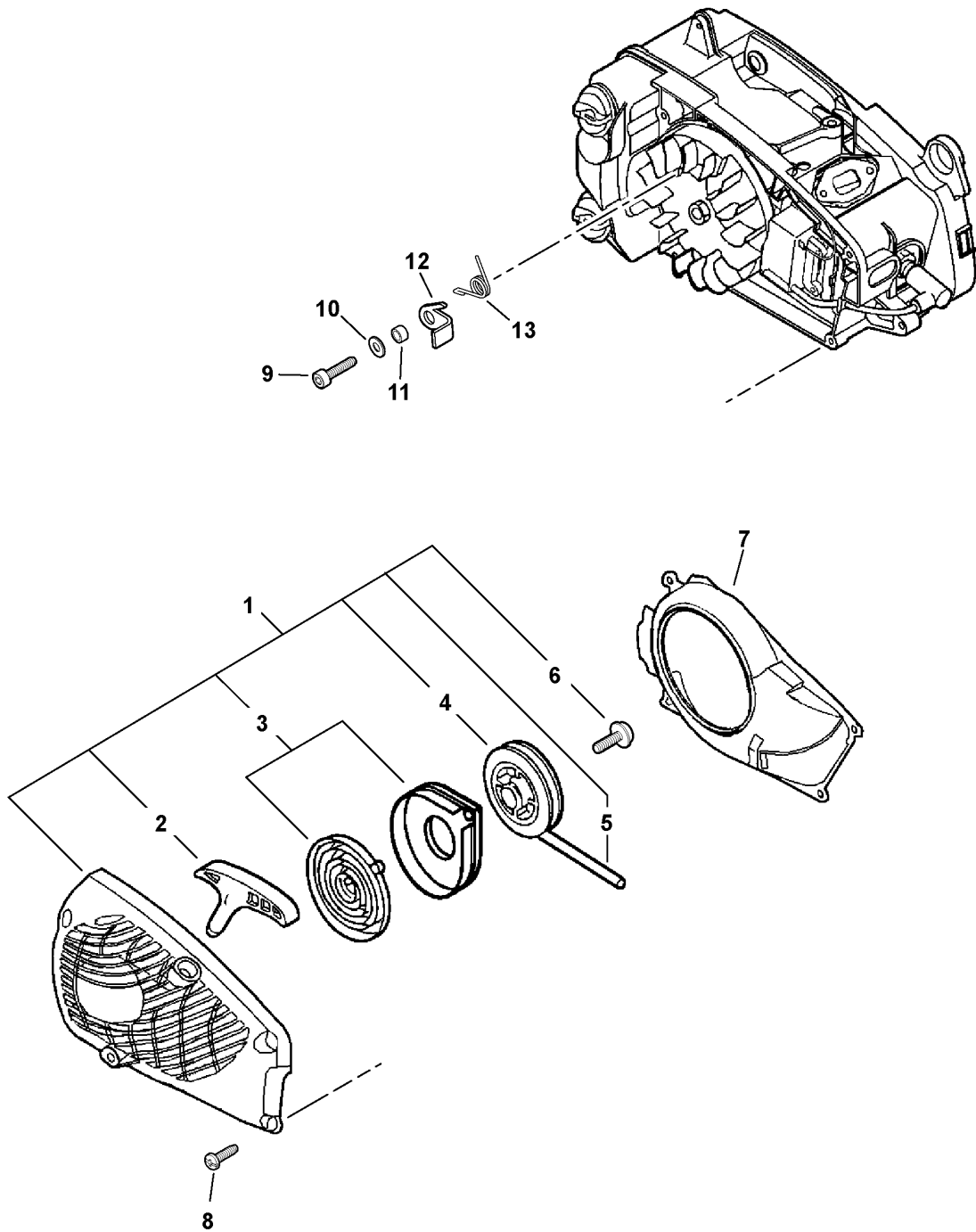
012 0005 000

ITEM	PART NUMBER	QTY	DESCRIPTION	REMARKS
1	C400000370	1	HANDLE, FRONT	
2	10091815130	4	CAP	
3	10091532530	1	SCREW	
4	10091060030	1	CUSHION	
5	9148104035	1	SCREW 4X35 - TAPPING	
6	V352000020	1	COLLAR	
7	V400000021	2	CUSHION	
8	V202000020	2	BOLT	
9	10092139130	1	CUSHION	
10	P021009001	1	REAR HANDLE SET	INCLUDES ITEMS 11-12
11	90025604016	4	SCREW 4X16	
12	13002033330	2	NUT	
13	90025305020	2	SCREW 5X20 - TAPPING	
14	V452000010	1	SPRING, THROTTLE TRIGGER	
15	C450000010	1	TRIGGER, THROTTLE	
16	C454000070	1	ROD, THROTTLE	
17	A253000043	1	LEVER, CHOKE	
18	A240000010	1	ROD, CHOKE	
19	C460000002	1	LOCKOUT, THROTTLE	
20	V486000010	1	TERMINAL, LEAD	
21	V485000340	1	LEAD, GROUND	
22	16201055930	1	LEAD, IGNITION	
23	A239000000	1	BELLOWS, INTAKE	
24	A127000130	1	COVER, DUST - GRAY	
25	90025304012	2	SCREW 4X12 - TAPPING	
26	90023805012	2	SCREW 5X12	
27	V359000060	1	COLLAR	
28	A202000050	1	BELLOWS, INTAKE	
29	V470000481	1	PIPE	
30	90016204025	1	SCREW 4X25	
31	C626000040	1	BRACKET, HARNESS	
32	C646000050	1	RING, HARNESS	



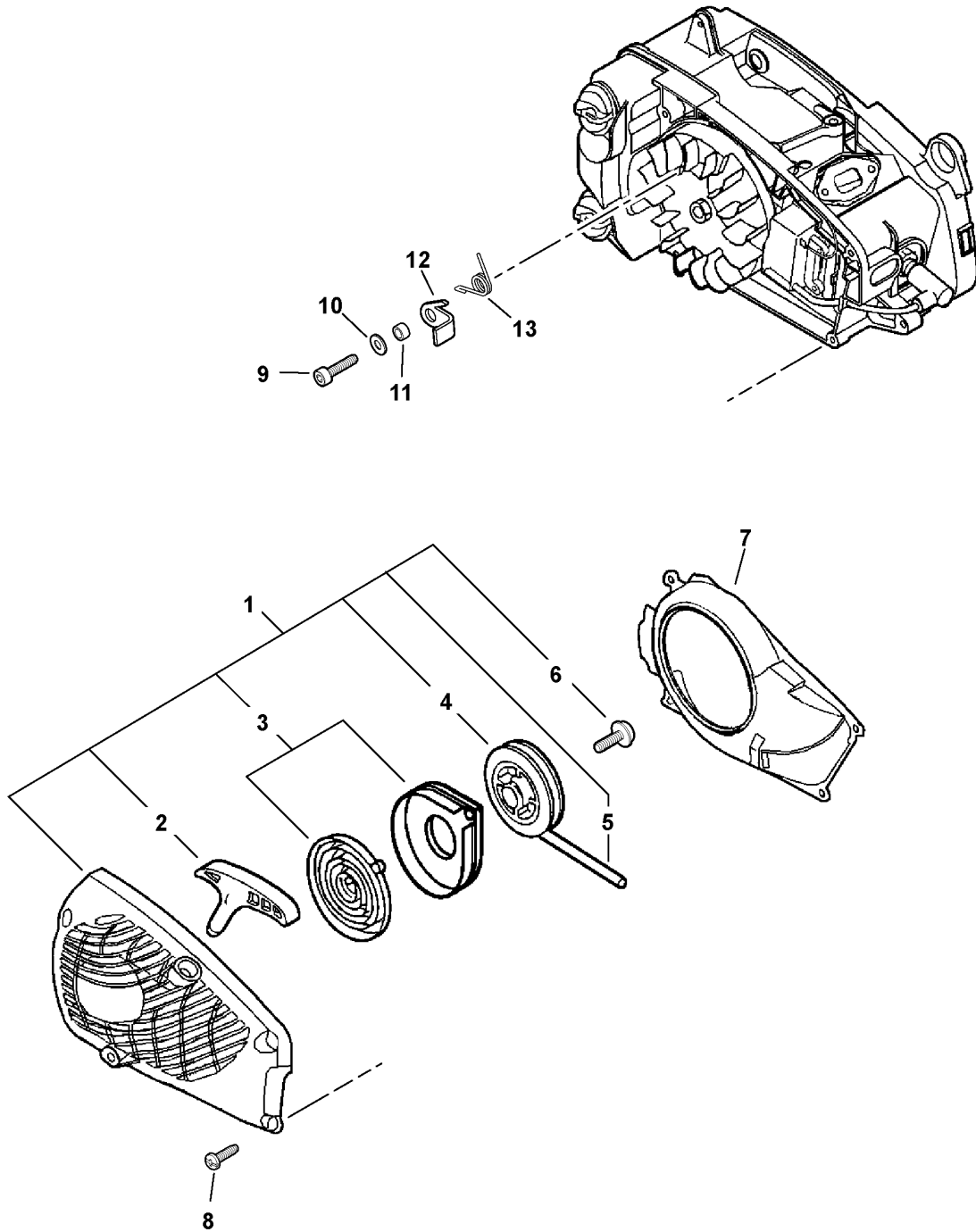
012 0005 00B

ITEM	PART NUMBER	QTY	DESCRIPTION	REMARKS
1	C400000370	1	HANDLE, FRONT	
2	10091815130	4	CAP	
3	10091532530	1	SCREW	
4	10091060030	1	CUSHION	
5	9148104035	1	SCREW 4X35 - TAPPING	
6	V352000020	1	COLLAR	
7	V400000021	2	CUSHION	
8	V202000020	2	BOLT	
9	10092139130	1	CUSHION	
10	P021009003	1	REAR HANDLE SET	INCLUDES ITEMS 11-13
11	90025604016	4	SCREW 4X16	
12	13002033330	2	NUT	
13	A202000051	1	BELLOWS, INTAKE	
14	90025305020	2	SCREW 5X20 - TAPPING	
15	V452000010	1	SPRING, THROTTLE TRIGGER	
16	C450000010	1	TRIGGER, THROTTLE	
17	C454000070	1	ROD, THROTTLE	
18	A253000043	1	LEVER, CHOKE	
19	A240000010	1	ROD, CHOKE	
20	C460000002	1	LOCKOUT, THROTTLE	
21	V486000010	1	TERMINAL, LEAD	
22	V485000340	1	LEAD, GROUND	
23	16201055930	1	LEAD, IGNITION	
24	A239000000	1	BELLOWS, INTAKE	
25	A127000130	1	COVER, DUST - GRAY	
26	A127000220	1	COVER, DUST - ORANGE	
27	90025304012	2	SCREW 4X12 - TAPPING	
28	90023805012	2	SCREW 5X12	
29	V359000060	1	COLLAR	
30	V470000481	1	PIPE	
31	90016204025	1	SCREW 4X25	
32	C626000040	1	BRACKET, HARNESS	
33	C646000050	1	RING, HARNESS	



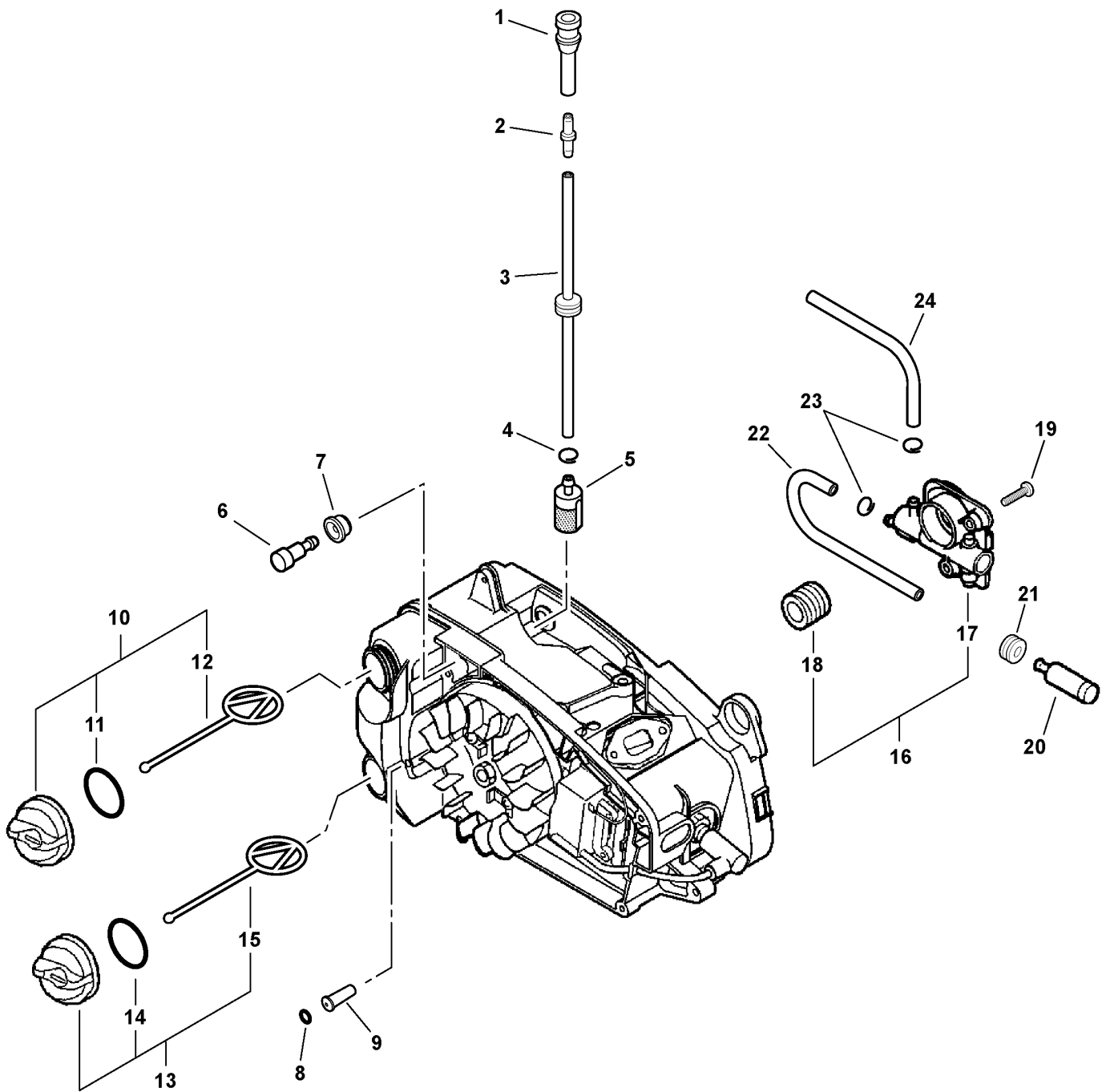
015 0003 000

ITEM	PART NUMBER	QTY	DESCRIPTION	REMARKS
1	A051000921	1	STARTER ASY - GRAY	INCLUDES ITEMS 2-6
2	P022005890	1	GRIP, STARTER	
3	P022010440	1	REWIND SPRING KIT	
4	P022010451	1	DRUM, STARTER	
5	P022005900	1	ROPE, STARTER - 3X920mm	REPOWER BULK OPTION: 99944440000
6	17723644330	1	SCREW	
7	A172000510	1	COVER, FAN	
8	V202000040	4	SCREW	
9	90010505014	2	SCREW 5X14	
10	90060300005	4	WASHER	
11	17724704630	2	SPACER	
12	A514000020	2	PAWL	
13	17723435430	2	SPRING, RETURN	



015 0003 ORA

ITEM	PART NUMBER	QTY	DESCRIPTION	REMARKS
1	A051001330	1	STARTER ASY - ORANGE	INCLUDES ITEMS 2-6
2	P022005890	1	GRIP, STARTER	
3	P022010440	1	REWIND SPRING KIT	
4	P022010451	1	DRUM, STARTER	
5	P022005900	1	ROPE, STARTER - 3X920mm	REPOWER BULK OPTION: 99944440000
6	17723644330	1	SCREW	
7	A172000510	1	COVER, FAN	
8	V202000040	4	SCREW	
9	90010505014	2	SCREW 5X14	
10	90060300005	4	WASHER	
11	17724704630	2	SPACER	
12	A514000020	2	PAWL	
13	17723435430	2	SPRING, RETURN	

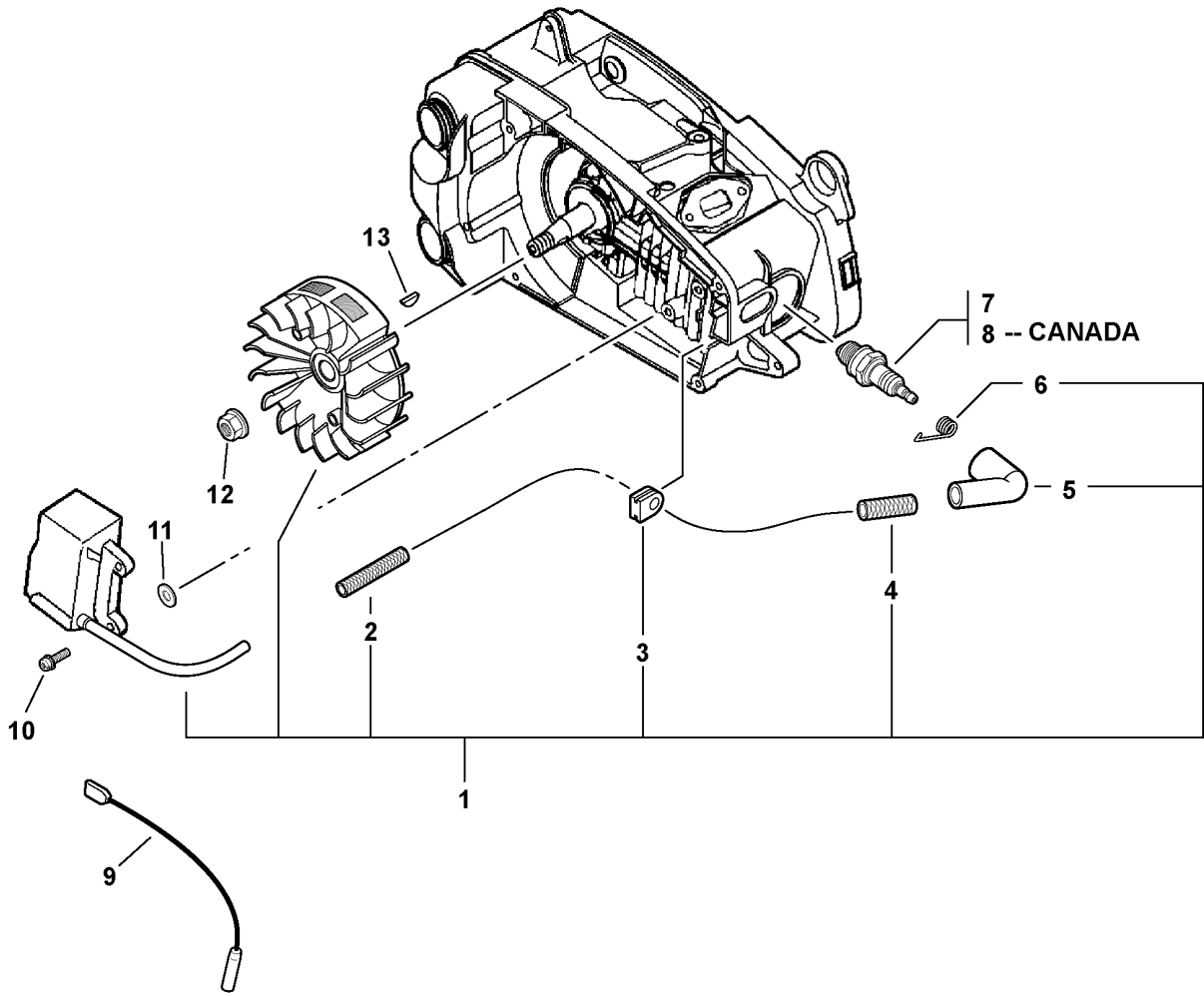


017 0003 000

ITEM	PART NUMBER	QTY	DESCRIPTION	REMARKS
1	V470000690	1	PIPE, FUEL	
2	V186000020	1	CONNECTOR	
3	V470000710	1	FUEL PIPE ASY	
4	13201309820	1	CLIP	
5	13120507320	1	FILTER, FUEL ¹	
6	A356000030	1	VENT ASY	
7	V137000000	1	GROMMET	
8	90072400004	1	O-RING	
9	43611413930	1	VALVE, CHECK	
10	P021005591	1	CAP ASY - ORANGE	INCLUDES ITEMS 11-12
11	90072000018	1	O-RING	
12	A365000050	1	CONNECTOR, CAP	
13	P021005581	1	CAP ASY - BLACK	INCLUDES ITEMS 14-15
14	90072000018	1	O-RING	
15	A365000050	1	CONNECTOR, CAP	
16	P021001980	1	AUTO-OILER ASY	INCLUDES ITEMS 17-18
17	C022000000	1	AUTO-OILER	
18	V652000010	1	GEAR, WORM	
19	90023804012	2	SCREW 4X12	
20	43620502832	1	FILTER, OIL	
21	13211501461	1	GROMMET, FUEL	
22	13011005260	1	PIPE, IMPULSE - 3X5X185mm	REPOWER BULK OPTION: 90014
23	13201326630	2	CLIP	
24	V471000760	1	PIPE, OIL - 3X6X90mm	

Footnotes

1: Also Included In REPOWER TUNE-UP KIT

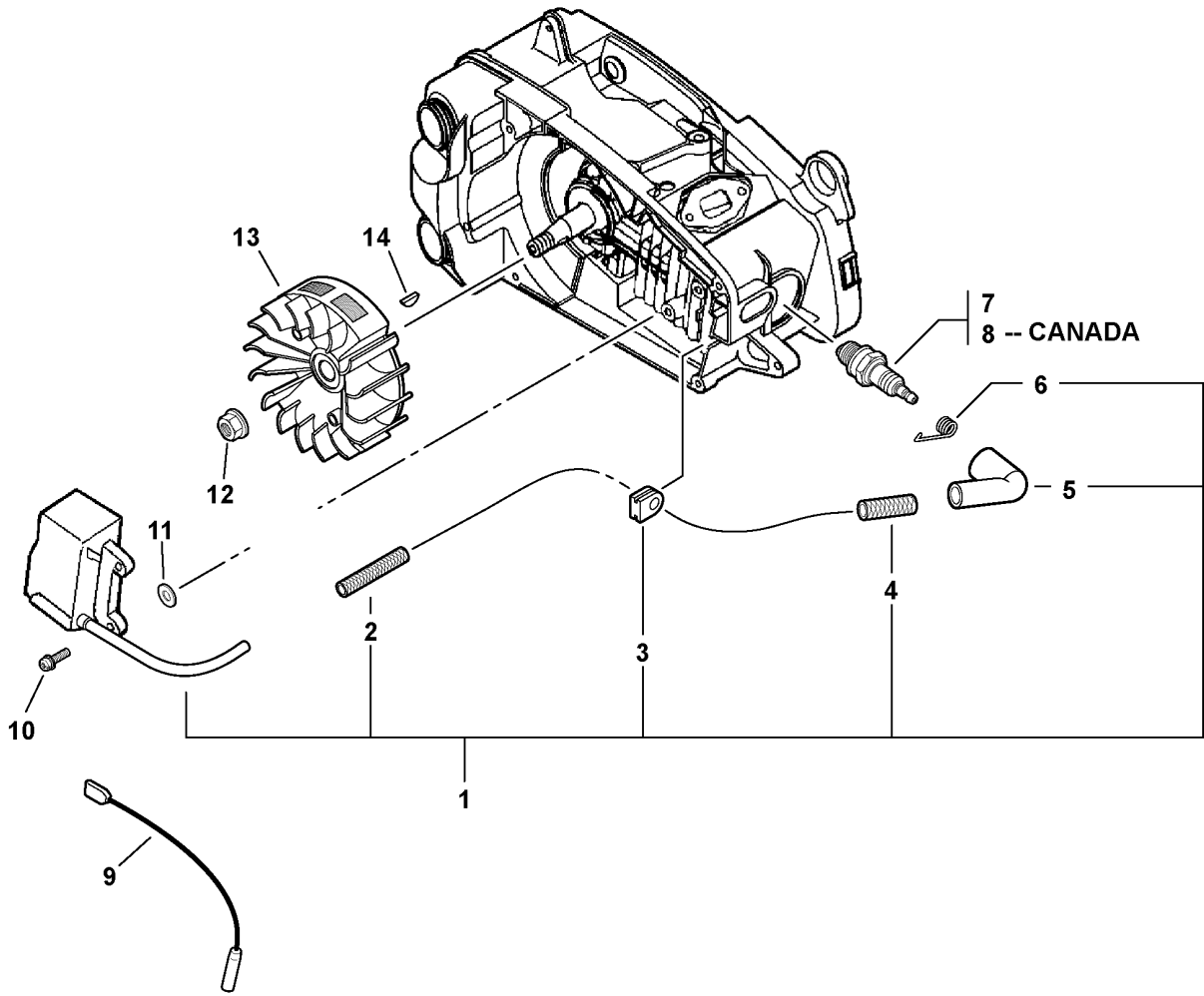


018 0004 00B

ITEM	PART NUMBER	QTY	DESCRIPTION	REMARKS
1	P021013330	1	COIL & FLYWHEEL KIT	INCLUDES ITEMS 2-6
2	P003001450	1	TUBE, INSULATOR	
3	15611004920	1	BUSHING	
4	P003001440	1	TUBE, INSULATOR	
5	A427000020	1	CAP, SPARK PLUG	
6	A426000020	1	TERMINAL, SPARK PLUG CAP	
7	15901019830	1	SPARK PLUG -- BPM-8Y ¹	
8	A425000000	1	SPARK PLUG -- BPMR-8Y ¹	
9	V485000590	1	LEAD, IGNITION	
10	90023805022	2	SCREW 5X22	
11	15011716430	2	SPACER	
12	90051500008	1	FLANGE NUT	
13	10014212330	1	WOODRUFF KEY	

Footnotes

1: Also Included In REPOWER TUNE-UP KIT

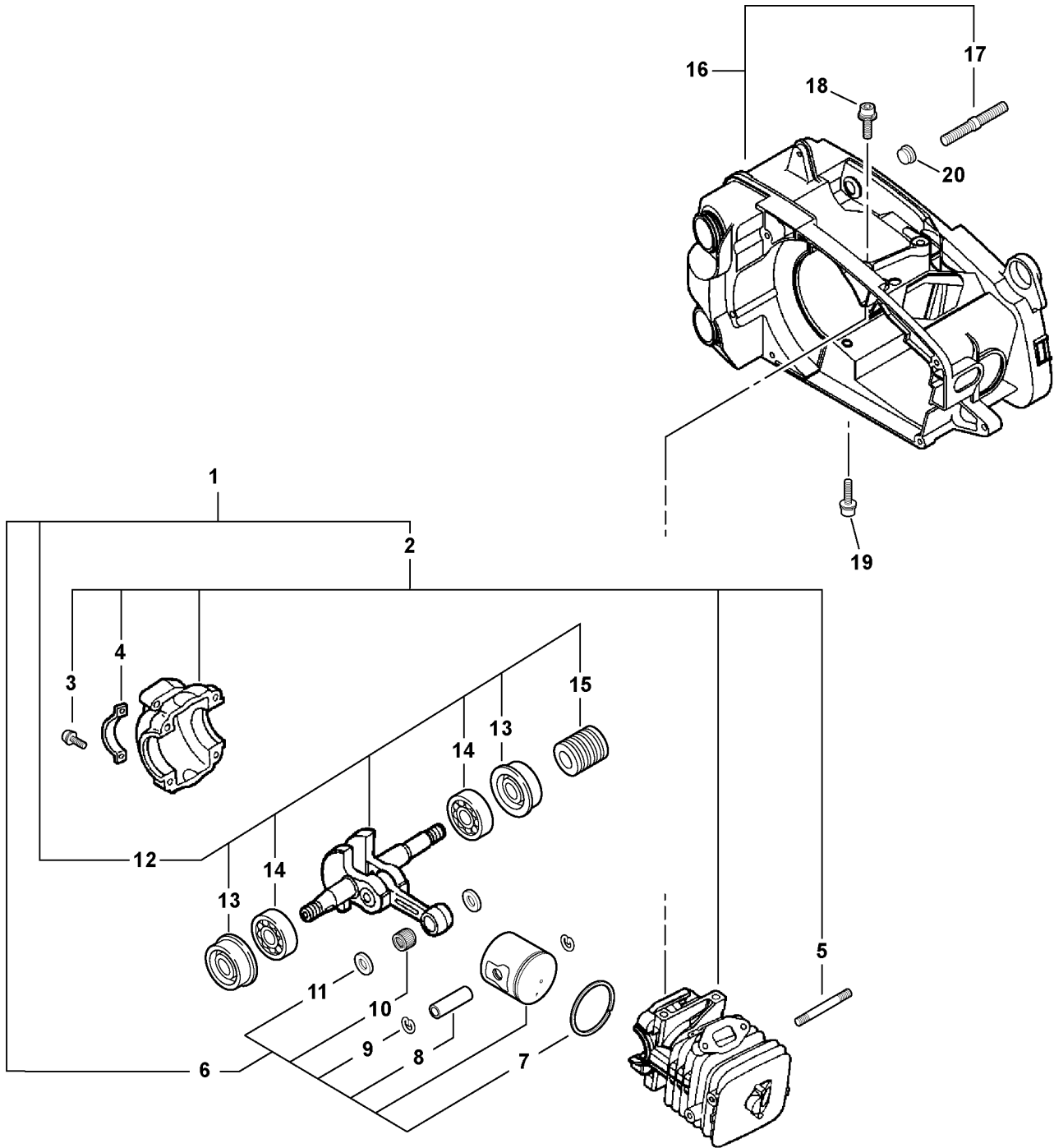


018 0004 000

ITEM	PART NUMBER	QTY	DESCRIPTION	REMARKS
1	A411000242	1	COIL KIT	INCLUDES ITEMS 2-6
2	P003001450	1	TUBE, INSULATOR	
3	15611004920	1	BUSHING	
4	P003001440	1	TUBE, INSULATOR	
5	A427000020	1	CAP, SPARK PLUG	
6	A426000020	1	TERMINAL, SPARK PLUG CAP	
7	15901019830	1	SPARK PLUG -- BPM-8Y ¹	
8	A425000000	1	SPARK PLUG -- BPMR-8Y ¹	
9	V485000590	1	LEAD, IGNITION	
10	90023805022	2	SCREW 5X22	
11	15011716430	2	SPACER	
12	90051500008	1	FLANGE NUT	
13	A409000241	1	FLYWHEEL	
14	10014212330	1	WOODRUFF KEY	

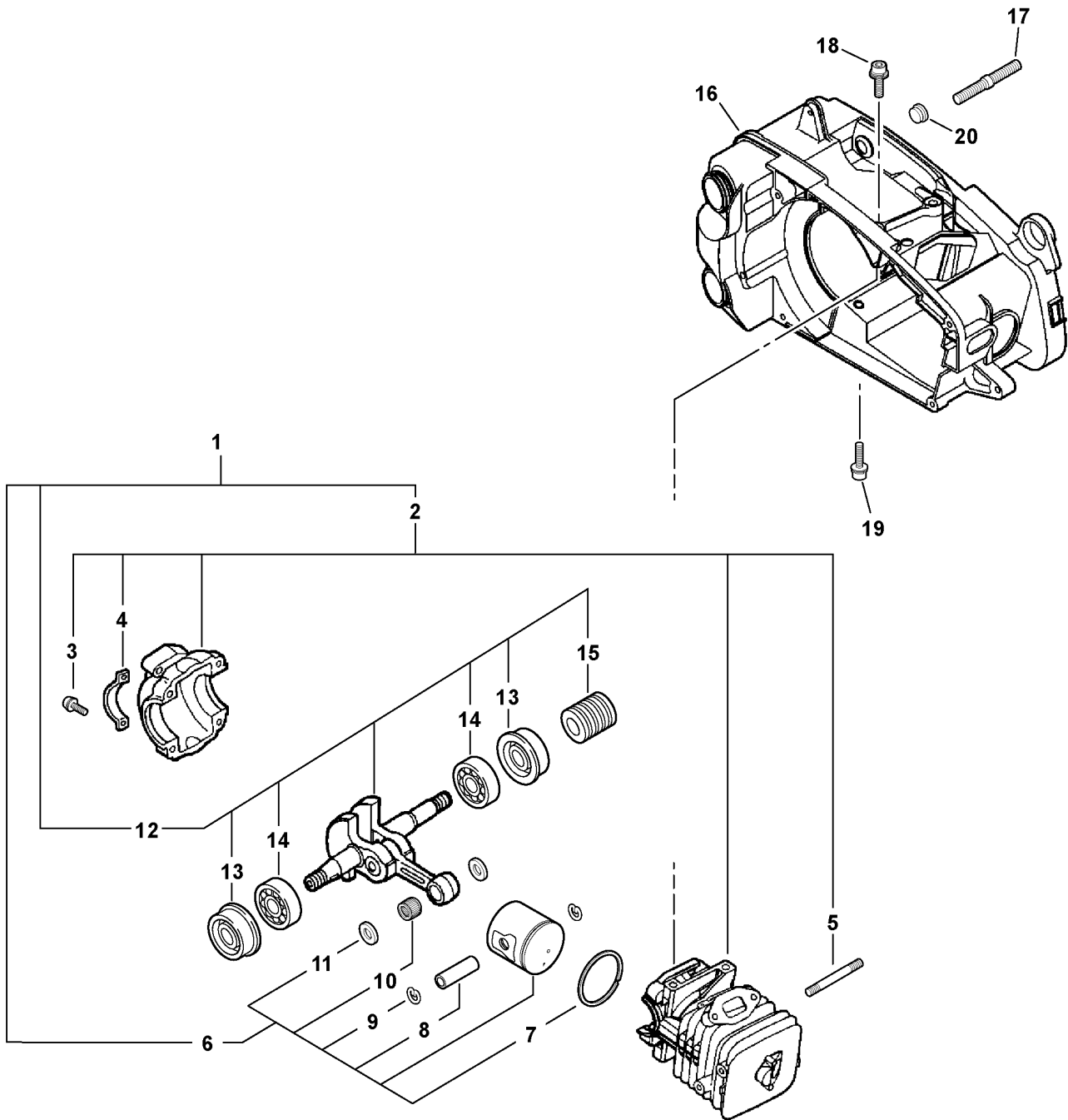
Footnotes

1: Also Included In REPOWER TUNE-UP KIT



SB1085 0000 000

ITEM	PART NUMBER	QTY	DESCRIPTION	REMARKS
1	SB1085	1	SHORT BLOCK	INCLUDES ITEMS 2-15
2	P021008952	1	CRANKCASE KIT	INCLUDES ITEMS 3-5
3	9112805025	4	SCREW 5X25	
4	V150001670	2	BRACKET, CRANKCASE	
5	V223000000	2	BOLT, STUD	
6	P021008980	1	PISTON KIT	INCLUDES ITEMS 7-11
7	10001116131	1	RING, PISTON	
8	10001315330	1	PIN, PISTON	
9	10001504630	2	CIRCLIP, PISTON PIN	
10	V553000040	1	BEARING, NEEDLE	
11	10001460930	2	SPACER, PISTON PIN	
12	P021008992	1	CRANKSHAFT ASY	INCLUDES ITEMS 13-15
13	V505000010	2	OIL SEAL	
14	9403536201	2	BEARING, BALL - 6201	
15	V652000010	1	GEAR, WORM	
16	P021008962	1	COVER, ENGINE - GRAY	INCLUDES ITEM 17
17	V224000030	2	STUD, GUIDE BAR	
18	90010605020	2	SCREW 5X20	
19	90010605030	2	SCREW 5X30	
20	16391130130	1	PLUG	



SB1085 0000 ORG

ITEM	PART NUMBER	QTY	DESCRIPTION	REMARKS
1	SB1085	1	SHORT BLOCK	INCLUDES ITEMS 2-15
2	P021008952	1	CRANKCASE KIT	INCLUDES ITEMS 3-5
3	9112805025	4	SCREW 5X25	
4	V150001670	2	BRACKET, CRANKCASE	
5	V223000000	2	BOLT, STUD	
6	P021008980	1	PISTON KIT	INCLUDES ITEMS 7-11
7	10001116131	1	RING, PISTON	
8	10001315330	1	PIN, PISTON	
9	10001504630	2	CIRCLIP, PISTON PIN	
10	V553000040	1	BEARING, NEEDLE	
11	10001460930	2	SPACER, PISTON PIN	
12	P021008992	1	CRANKSHAFT ASY	INCLUDES ITEMS 13-15
13	V505000010	2	OIL SEAL	
14	9403536201	2	BEARING, BALL - 6201	
15	V652000010	1	GEAR, WORM	
16	A190000790	1	COVER, ENGINE - ORANGE	
17	V224000030	2	STUD, GUIDE BAR	
18	90010605020	2	SCREW 5X20	
19	90010605030	2	SCREW 5X30	
20	16391130130	1	PLUG	

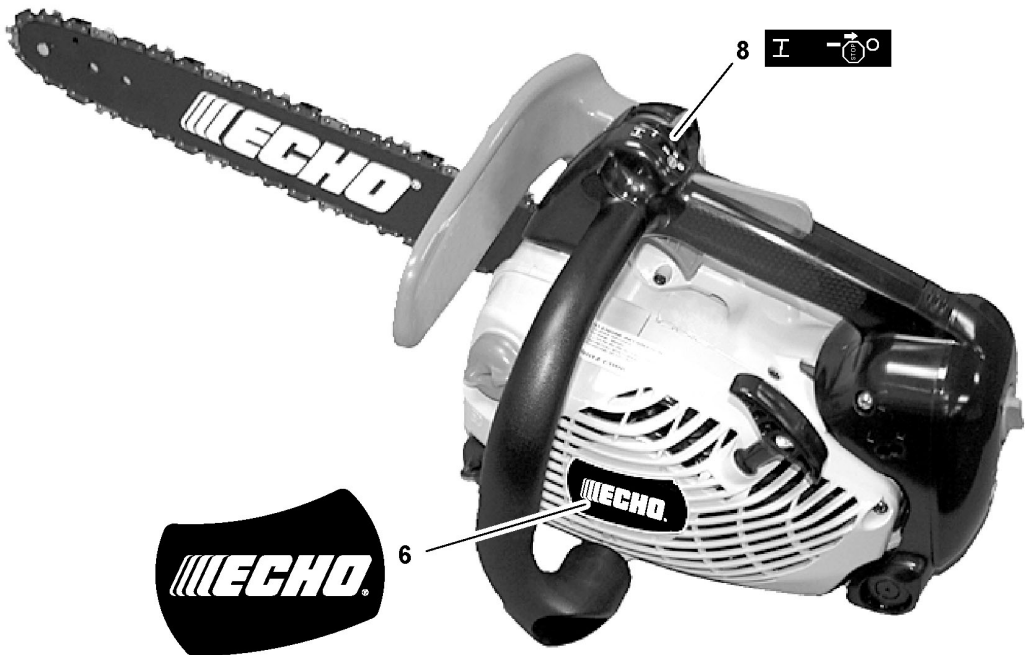
ADVERTENCIA PELIGRO
 Esta unidad puede ser peligrosa y producir lesiones personales graves si no se usa en forma adecuada. Para reducir el riesgo de lesiones, los operadores, los ayudantes y los espectadores deben leer y comprender el Manual Del Operador y los Manuales e guidad que se entregan escritos en español.

GUIDE BAR	CHAIN	REPLACEMENT BAR AND CHAIN
PART NO.	TYPE	LINKS
12" 12A0E03745	OREGON 91VG 45	Note: There may be other replacement components for achieving kickback protection. For details, please refer to the bar and chain combination sheet shown in the instruction manual.
14" 14A0E03762	OREGON 91VG 52	
16" 16A0E03767	OREGON 91VG 57	

CS-360T
WARNING! Read and follow all safety precautions in the instruction manual. Failure to follow instructions could result in serious personal injury.

TO AVOID KICKBACK
 1. Hold the chain saw firmly with both hands.
 2. Don't let the nose of the guide bar contact any obstruction.
 3. Tip contact may suddenly move the guide bar upward and backward, which may cause serious injury.

WARNING
 Lesen bitte immer die Anweisung, wenn Sie diese Säge benutzen, und lesen außerdem alle weiteren Teile der Anweisung. Versagen, die Anweisungen zu befolgen, kann zu schweren persönlichen Verletzungen führen.
 Делайте только то, что написано в инструкции по эксплуатации этой пилы. Всегда читайте и выполняйте все инструкции по безопасности. Несоблюдение инструкций может привести к серьезным травмам.



100 0037 0US

CS-330T Chain Saw

Labels

ITEM	PART NUMBER	QTY	DESCRIPTION	REMARKS
1	89022839131	1	LABEL, CAUTION	
2	X524001710	1	LABEL, BAR & CHAIN	
3	X503006530	1	LABEL - MODEL -- CS-330T	
4	X505002060	1	LABEL, WARNING	
5	X505002310	1	LABEL, CAUTION - HOT	
6	89019130131	1	LABEL - KICK BACK	
7	X503006550	1	LABEL - MODEL -- CS-330T	
8	X524001450	1	LABEL - STOP	
9	X502000620	1	LABEL - ECHO	

RePower Tune-Up Kit	Contains: Service Number	Description
900100	A226000291	AIR FILTER
	13120514930	FUEL FILTER
	15901019830	SPARK PLUG BPM-8Y

<u>ITEM</u>	<u>PART NUMBER</u>	<u>QTY</u>	<u>DESCRIPTION</u>	<u>REMARKS</u>
1	900100	1	REPOWER TUNE-UP KIT	

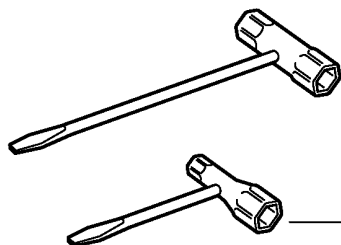
SOCKET WRENCH W/SCREWDRIVER (Also Removes Spark Plugs)

1 - 89541010630 -- 17X19mm

2 - X602000020 -- 17X19mm

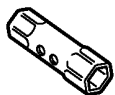
3 - 89541039131 -- 10X19mm

4 - 89541006960 -- 13X19mm



SOCKET WRENCH

5 - X602000031 -- 17X14.5mm



LOCKING ROD

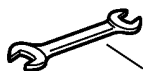
6 - 89751801131 -- 5X120mm



OPEN END WRENCH

7 - 89511200330 -- 8X10mm

8 - 89512220960 -- 17X19mm



9 - 89501505260 -- 10mm



HEX BAR

10 - 89541220960 -- 10mm



HEX KEY

11 - 89561203430 -- 3mm



12 - 89561000130 -- 4mm



13 - 89561100330 -- 5mm



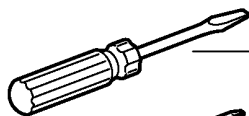
TORX KEY

14 - X605000060 -- T27

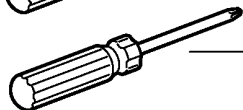


SCREWDRIVER

15 - 89581100130 -- 125mm SLOTTED

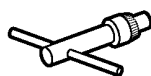


16 - 89581203930 -- 50mm PHILLIPS



CHUCK KEY

17 - 89757005560



Consult Your Operators Manual For The Tools Used With Your Model

200 0002 000

ITEM	PART NUMBER	QTY	DESCRIPTION	REMARKS
1	89541010630	1	SOCKET WRENCH/SCREWDRIVER	17X19mm
2	X602000020	1	SOCKET WRENCH/SCREWDRIVER	17X19mm
3	89541039131	1	SOCKET WRENCH/SCREWDRIVER	10X19mm
4	89541006960	1	SOCKET WRENCH/SCREWDRIVER	13X19mm
5	X602000031	1	SOCKET WRENCH	17X14.5mm
6	89751801131	1	LOCKING ROD	5X120mm
7	89511200330	1	OPEN END WRENCH	8X10mm
8	89512220960	1	OPEN END WRENCH	17X19mm
9	89501505260	1	OPEN END WRENCH	10mm
10	89541220960	1	HEX BAR	10mm
11	89561203430	1	HEX KEY	3mm
12	89561000130	1	HEX KEY	4mm
13	89561100330	1	HEX KEY	5mm
14	X605000060	1	TORX KEY	T27
15	89581100130	1	SCREWDRIVER	125mm SLOT HEAD
16	89581203930	1	SCREWDRIVER	50mm CROSS HEAD
17	89757005560	1	CHUCK KEY	



Part Number Index

Click The Page Number After Any Part Number To View The Diagram Containing That Part.

Part Number	Page	Part Number	Page	Part Number	Page
-----	5, 7	90025304010	11, 13	P003000010	7
10001116131	33, 35	90025304012	11, 13, 19, 21	P003000140	7
10001315330	33, 35	90025304016	9	P003000160	7
10001460930	33, 35	90025305020	11, 13, 19, 21	P003000240	7
10001504630	33, 35	90025604016	19, 21	P003000250	7
10014212330	29, 31	90033030260	11, 13	P003000380	7
10091060030	19, 21	90050000005	9	P003001140	7
10091532530	19, 21	90051500008	29, 31	P003001300	7
10091815130	19, 21	90056250005	11, 13	P003001380	7
10092139130	19, 21	90060300005	23, 25	P003001390	7
12311003930	7	90072000018	27	P003001400	7
12311337530	7	90072400004	27	P003001410	7
12311403930	7	9112805025	33, 35	P003001440	29, 31
12311405260	7	9131805032	11, 13	P003001450	29, 31
12311610530	7	9136704012	9	P021001980	27
12312052131	7	9148104035	19, 21	P021005581	27
12312203660	7	91VG52CQ	15	P021005591	27
12312715030	7	9228005000	9	P021005810	17
12313002960	7	9305030098	11, 13	P021008952	33, 35
12313304260	7	9403536201	33, 35	P021008962	33
12313903930	7	A021001110	7	P021008980	33, 35
12314926030	7	A051000921	23	P021008992	33, 35
13002033330	19, 21	A051001330	25	P021009001	19
13011005260	27	A056000070	17	P021009003	21
13120507320	27	A127000130	19, 21	P021013330	29
13201309820	27	A127000220	21	P021016470	13
13201326630	27	A172000510	23, 25	P022005890	23, 25
13211501461	27	A190000790	35	P022005900	23, 25
14564213930	9	A202000050	19	P022010440	23, 25
14A0ED3752	15	A202000051	21	P022010451	23, 25
15011716430	29, 31	A204000072	5	SB1085	33, 35
15611004920	29, 31	A226000291	5	V104000680	9
15901019830	29, 31	A232000290	5	V137000000	27
16201055930	19, 21	A235000040	5	V150001670	33, 35
16391130130	33, 35	A239000000	19, 21	V186000020	27
17500539132	17	A240000010	19, 21	V202000020	19, 21
17501200831	17	A253000043	19, 21	V202000040	23, 25
17501439131	17	A300000551	9	V203000041	11, 13
17723435430	23, 25	A301000020	9	V223000000	33, 35
17723644330	23, 25	A310000030	9	V224000030	33, 35
17724704630	23, 25	A313000710	9	V352000020	19, 21
2894901	15	A313000721	9	V353000060	11, 13
43301903933	11, 13	A320000322	9	V355000140	11, 13
43302635430	11, 13	A320000490	9	V359000060	19, 21
43311635430	11, 13	A356000030	27	V376000450	11, 13
43316739130	11, 13	A365000050	27	V376000740	9
43611413930	27	A409000241	31	V400000021	19, 21
43620502832	27	A411000242	31	V450000070	11, 13
89019130131	37	A425000000	29, 31	V451000470	17
89022839131	37	A426000020	29, 31	V452000010	19, 21
89501505260	41	A427000020	29, 31	V452000110	11, 13
89511200330	41	A514000020	23, 25	V470000481	19, 21
89512220960	41	A551000010	17	V470000690	27
89541006960	41	A552000020	17	V470000710	27
89541010630	41	C022000000	27	V471000760	27
89541039131	41	C032000261	11	V485000340	19, 21
89541220960	41	C300000291	11	V485000590	29, 31
89561000130	41	C300000420	13	V486000010	19, 21
89561100330	41	C304000000	11, 13	V505000010	33, 35
89561203430	41	C305000080	11, 13	V553000040	33, 35
89581100130	41	C309000030	11, 13	V651000001	11, 13
89581203930	41	C320000090	11	V651000011	11, 13
89751801131	41	C320000190	13	V652000010	27, 33, 35
89757005560	41	C328000030	11, 13	X502000620	37
900100	39	C334000070	11, 13	X503006530	37
90010505014	23, 25	C345000191	11	X503006550	37
90010605020	33, 35	C345000310	13	X505002060	37
90010605030	33, 35	C400000370	19, 21	X505002310	37
90016204025	19, 21	C450000010	19, 21	X524001450	37
90023804012	27	C454000070	19, 21	X524001710	37
90023805012	19, 21	C460000002	19, 21	X602000020	41
90023805022	29, 31	C626000040	19, 21	X602000031	41
90023805050	5	C646000050	19, 21	X605000060	41



Part Description Index

Click The Page Number After Any Part Description To View The Diagram Containing That Part.

A

AUTO-OILER.....27
 AUTO-OILER ASY.....27

B

BAND, BRAKE.....11, 13
 BEARING, BALL - 6201.....33, 35
 BEARING, NEEDLE.....17, 33, 35
 BELLOWS, INTAKE.....19, 21
 BODY, CARBURETOR.....7
 BOLT.....19, 21
 BOLT 5.....11, 13
 BOLT, STUD.....33, 35
 BRACKET, CRANKCASE.....33, 35
 BRACKET, HARNESS.....19, 21
 BUMPER, SPIKED.....11, 13
 BUSHING.....29, 31

C

CAP.....19, 21
 CAP ASY - BLACK.....27
 CAP ASY - ORANGE.....27
 CAP, MIXTURE LIMITER.....7
 CAP, SPARK PLUG.....29, 31
 CARBURETOR.....5
 CARBURETOR -- WT-739.....7
 CATCHER, CHAIN.....11, 13
 CHAIN BRAKE ASY.....11, 13
 CHUCK KEY.....41
 CIRCLIP.....7
 CIRCLIP, PISTON PIN.....33, 35
 CLIP.....27
 CLUTCH ASY.....17
 CLUTCH SHOE SET.....17
 COIL & FLYWHEEL KIT.....29
 COIL KIT.....31
 COLLAR.....11, 13, 19, 21
 CONNECTOR.....27
 CONNECTOR, CAP.....27
 CONNECTOR, BRAKE.....11, 13
 COVER, BRAKE - GRAY.....11
 COVER, BRAKE - ORANGE.....13
 COVER, DUST - GRAY.....19, 21
 COVER, DUST - ORANGE.....21
 COVER, ENGINE - GRAY.....33
 COVER, ENGINE - ORANGE.....35
 COVER, FAN.....23, 25
 COVER, FUEL PUMP.....7
 COVER, METERING DIAPHRAGM.....7
 COVER, MUFFLER - GRAY.....9
 COVER, MUFFLER - ORANGE.....9
 CRANKCASE KIT.....33, 35
 CRANKSHAFT ASY.....33, 35
 CUSHION.....19, 21

D

DIAPHRAGM, FUEL PUMP.....7
 DIAPHRAGM, METERING.....7
 DRUM, CLUTCH.....17
 DRUM, STARTER.....23, 25

E

ELBOW, CARBURETOR.....5

EYE PLATE.....9

F

FILTER, AIR.....5
 FILTER, FUEL.....27
 FILTER, OIL.....27
 FLANGE NUT.....11, 13, 29, 31
 FLANGE NUT 5.....11, 13
 FLYWHEEL.....31
 FUEL PIPE ASY.....27

G

GASKET, EXHAUST.....9
 GASKET, FUEL PUMP.....7
 GASKET, METERING DIAPHRAGM.....7
 GASKET/DIAPHRAGM KIT.....7
 GEAR, BEVEL.....11, 13
 GEAR, WORM.....27, 33, 35
 GRIP, STARTER.....23, 25
 GROMMET.....27
 GROMMET, FUEL.....27
 GUARD, SPROCKET - GRAY.....11
 GUARD, SPROCKET - ORANGE.....13
 GUIDE BAR - 14" -- Pro 91.....15
 GUIDE, EXHAUST.....9

H

HANDLE, FRONT.....19, 21
 HEX BAR.....41
 HEX KEY.....41
 HUB, CLUTCH.....17

K

KICK GUARD KIT.....15
 KNOB, AIR CLEANER LID.....5

L

LABEL - KICK BACK.....37
 LABEL - ECHO.....37
 LABEL - MODEL -- CS-330T.....37
 LABEL - STOP.....37
 LABEL, BAR & CHAIN.....37
 LABEL, CAUTION.....37
 LABEL, CAUTION - HOT.....37
 LABEL, WARNING.....37
 LEAD, GROUND.....19, 21
 LEAD, IGNITION.....19, 21, 29, 31
 LEVER, BRAKE - BLACK.....13
 LEVER, BRAKE - ORANGE.....11
 LEVER, CHOKE.....19, 21
 LEVER, FAST IDLE.....7
 LEVER, METERING.....7
 LEVER, THROTTLE.....7
 LID, AIR CLEANER.....5
 LOCKING ROD.....41
 LOCKOUT, THROTTLE.....19, 21

M

MUFFLER.....9

N

NEEDLE, ADJUSTMENT.....7
 NUT.....9, 19, 21

O

OIL SEAL.....33, 35
 OPEN END WRENCH.....41
 O-RING.....27

P

PAWL.....23, 25
 PIN, METERING LEVER.....7
 PIN, PISTON.....33, 35
 PIPE.....19, 21
 PIPE, FUEL.....27
 PIPE, IMPULSE - 3X5X185mm.....27
 PIPE, OIL - 3X6X90mm.....27
 PISTON KIT.....33, 35
 PLATE, CLUTCH.....17
 PLATE, SPROCKET GUARD.....11, 13
 PLUG.....33, 35
 PLUG, WELCH.....7

R

REAR HANDLE SET.....19, 21
 REPAIR KIT.....7
 REPOWER TUNE-UP KIT.....39
 REWIND SPRING KIT.....23, 25
 RING, HARNESS.....19, 21
 RING, PISTON.....33, 35
 ROD, CHOKE.....19, 21
 ROD, THROTTLE.....19, 21
 ROLLER.....11, 13
 ROPE, STARTER - 3X920mm.....23, 25

S

SAWING CHAIN - 14" -- XtraGUARD.....15
 SCREEN.....9
 SCREEN, INLET.....7
 SCREW.....19, 21, 23, 25
 SCREW 4X10.....11, 13
 SCREW 4X12.....9, 27
 SCREW 4X12 - TAPPING.....11, 13, 19, 21
 SCREW 4X16.....19, 21
 SCREW 4X16 - TAPPING.....9
 SCREW 4X25.....19, 21
 SCREW 4X35 - TAPPING.....19, 21
 SCREW 5X12.....19, 21
 SCREW 5X14.....23, 25
 SCREW 5X20.....33, 35
 SCREW 5X20 - TAPPING.....11, 13, 19, 21
 SCREW 5X22.....29, 31
 SCREW 5X25.....33, 35
 SCREW 5X30.....33, 35
 SCREW 5X32.....11, 13
 SCREW 5X50.....5
 SCREW, CHOKE VALVE.....7
 SCREW, DIAPHRAGM COVER.....7
 SCREW, IDLE ADJUST.....7
 SCREW, METERING LEVER PIN.....7
 SCREW, PUMP COVER.....7
 SCREW, THROTTLE LEVER.....7
 SCREW, THROTTLE VALVE.....7
 SCREWDRIVER.....41
 SHAFT, CHOKE.....7
 SHAFT, THROTTLE.....7
 SHORT BLOCK.....33, 35



Part Description Index (continued)

SOCKET WRENCH.....41
SOCKET WRENCH/SCREWDRIVER.....41
SPACER.....9, 11, 13, 23, 25, 29, 31
SPACER 8X12X9.....11, 13
SPACER, PISTON PIN.....33, 35
SPARK PLUG -- BPM-8Y.....29, 31
SPARK PLUG -- BPMR-8Y.....29, 31
SPRING.....11, 13
SPRING, CHOKE RETURN.....7
SPRING, CLUTCH.....17
SPRING, IDLE ADJUST.....7
SPRING, METERING LEVER.....7
SPRING, RETURN.....23, 25
SPRING, THROTTLE RETURN.....7
SPRING, THROTTLE TRIGGER.....19, 21
STARTER ASY - GRAY.....23
STARTER ASY - ORANGE.....25
STUD, GUIDE BAR.....33, 35

T

TENSIONER, CHAIN.....11, 13
TERMINAL, LEAD.....19, 21
TERMINAL, SPARK PLUG CAP.....29, 31
TORX KEY.....41
TRIGGER, THROTTLE.....19, 21
TUBE, INSULATOR.....29, 31

V

VALVE, CHECK.....27
VALVE, CHOKE.....7
VALVE, INLET NEEDLE.....7
VALVE, THROTTLE.....7
VENT ASY.....27

W

WASHER.....7, 9, 17, 23, 25
WOODRUFF KEY.....29, 31

NOTES



ECHO, INCORPORATED

400 Oakwood Road
Lake Zurich, IL 60047 USA

WWW.ECHO-USA.COM
