



AVAILABLE ATTACHMENTS & ACCESSORIES

Accessories

103942147	CS Carry Bag
89850308032	Bar & Chain Cover - 17"
99988800207	CS Removable Nose Case
99988800308	CS Lanyard Strap w_Ring
99988801205	CS Fixed Nose Case

Guide Bars

12A0CD3745	Guide Bar - 12" (.050" Ga)
12A0ZD3745	Guide Bar - 12" (.050" Ga) -- Intenz
14A0CD3752	Guide Bar - 14" (.050" Ga)
14A0ZD3752	Guide Bar - 14" (.050" Ga) -- Intenz
16A0CD3757	Guide Bar - 16" (.050" Ga)
16A0ZD3757	Guide Bar - 16" (.050" Ga) -- Intenz

Sawing Chains

91VG45G	Sawing Chain - 12" (.050" Ga) -- XtraGUARD
91VG52G	Sawing Chain - 14" (.050" Ga) -- XtraGUARD
91VG57G	Sawing Chain - 16" (.050" Ga) -- XtraGUARD

PARTS CATALOG

CS-341 Chain Saw

33.4cc

SERIAL NUMBERS

S/N: 02001001 - 02999999

ECHO, INCORPORATED

400 Oakwood Road Lake Zurich, Illinois 60047 USA

WWW.ECHO-USA.COM



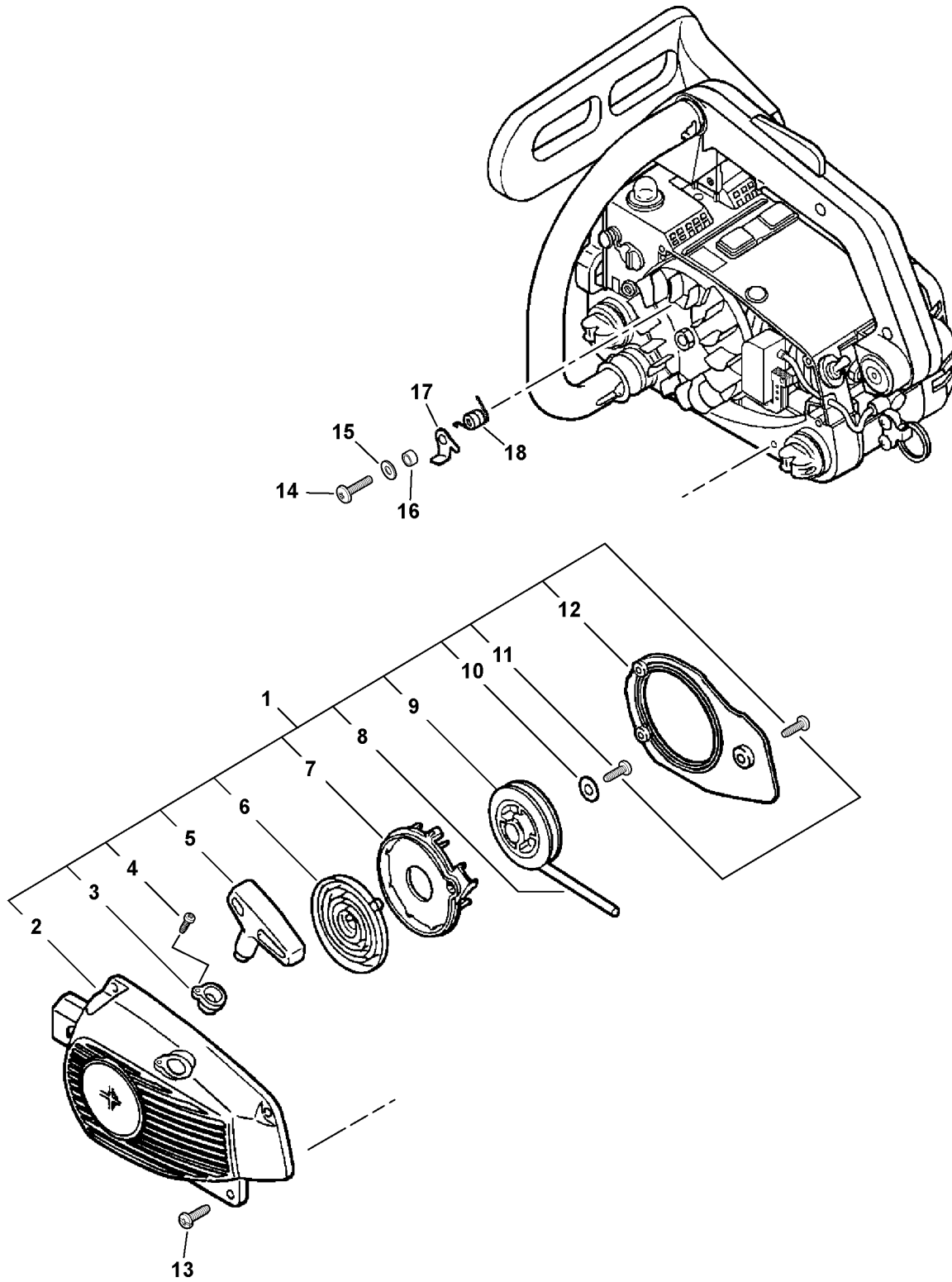
Table of Contents

Click Any Diagram Description Below To View That Diagram.

CS-341 S/N: 02001001 - 02999999

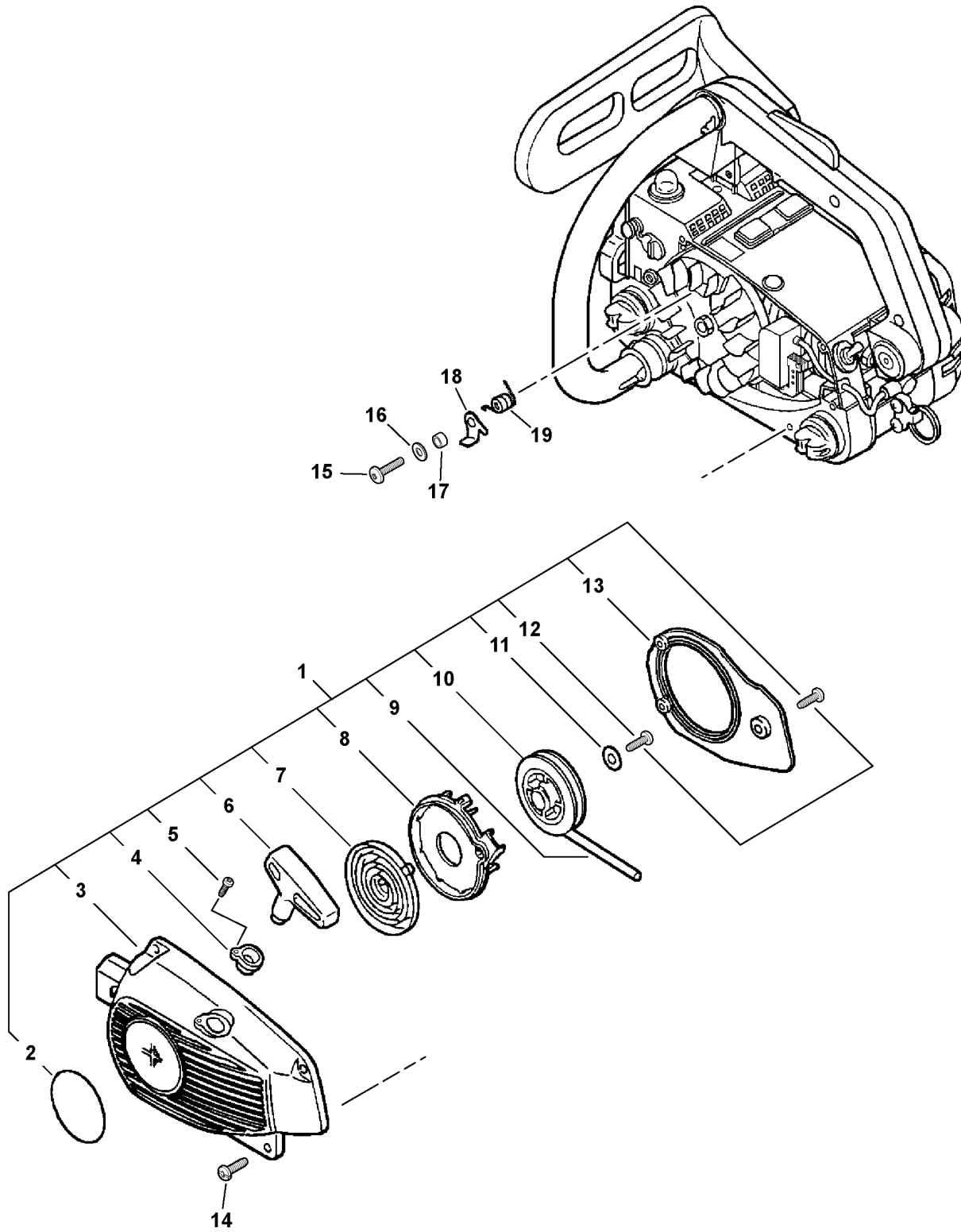
Starter S/N: 02001001 - 02048799	4
Starter S/N: 02048798 - 02999999	6
Intake S/N: 02001001 - 02008444	8
Intake S/N: 02008445 - 02999999	10
Carburetor -- WT-589A	12
Exhaust	14
Guide Bar, Sawing Chain	16
Chain Brake S/N: 02001001 - 02008444	18
Chain Brake S/N: 02008445 - 02048799	20
Chain Brake S/N: 02048800 - 02999999	22
Clutch S/N: 02001001 - 02015627	24
Clutch S/N: 02015628 - 02999999	26
Fuel System, Auto Oiler S/N: 02001001 - 02048799	28
Fuel System, Auto Oiler S/N: 02048800 - 02999999	30
Handles	32
Ignition S/N: 02001001 - 02008444	34
Ignition S/N: 02008445 - 02999999	36
Engine, Short Block -- SB1069, Engine Cover S/N: 02001001 - 02048799	38
Engine, Short Block -- SB1069, Engine Cover S/N: 02048800 - 02999999	40
Labels	42
RePower Tune-Up Kit	44
Tools	46
Part Number Index	48
Part Description Index	49

This Page Intentionally Left Blank



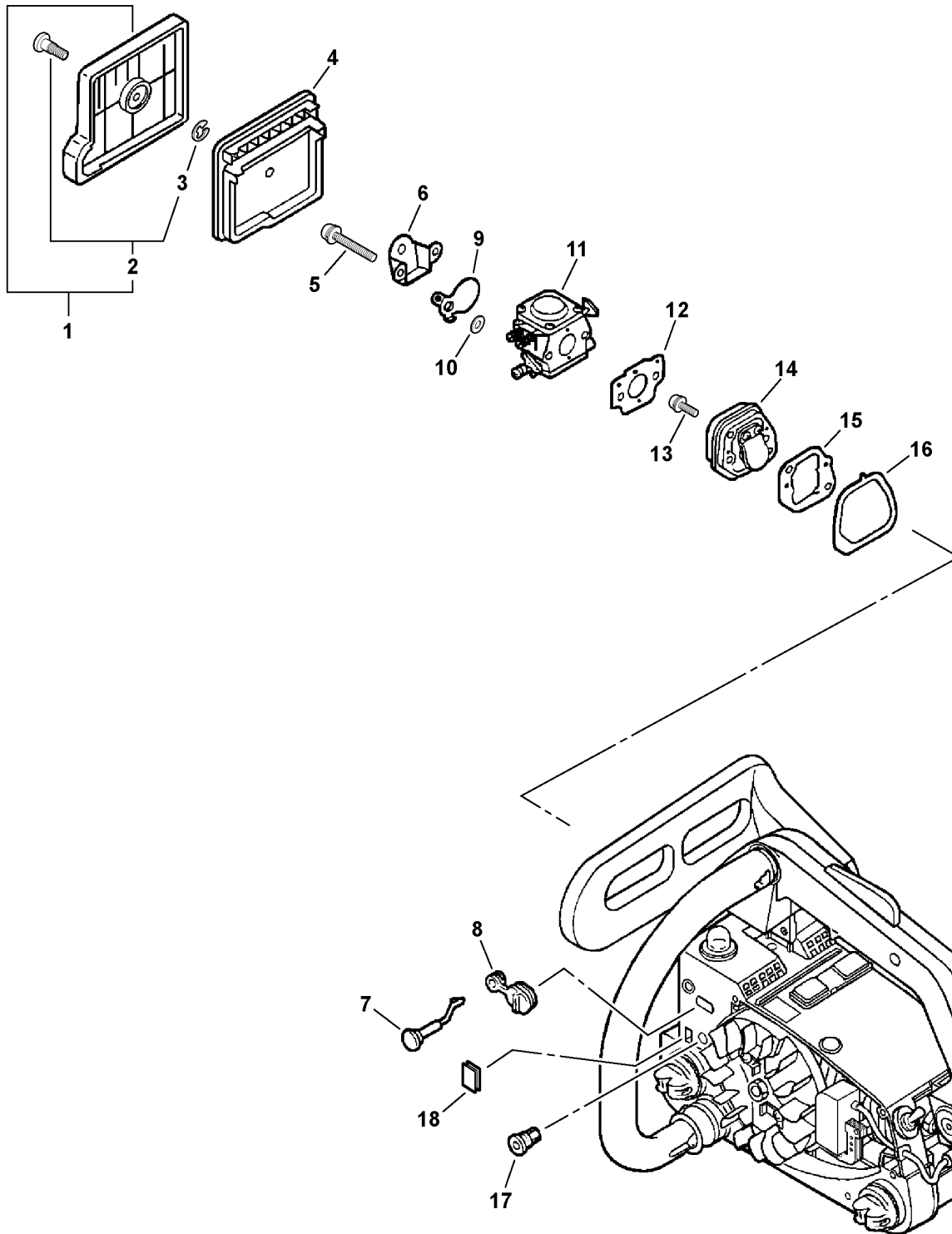
015 0002 GRY

ITEM	PART NUMBER	QTY	DESCRIPTION	REMARKS
1	17720039631	1	STARTER ASY	INCLUDES ITEMS 2-12
2	17723239630	1	HOUSING, STARTER - GRAY	
3	17722739131	1	GUIDE, ROPE	
4	90029603014	1	SCREW 3X14	
5	17722835430	1	GRIP, STARTER	
6	17722039630	1	SPRING, REWIND	
7	17722139630	1	PLATE, STARTER	
8	17722606530	1	ROPE, STARTER - 3X850mm	REPOWER BULK OPTION: 99944444000
9	A506000090	1	REEL, ROPE	
10	17721404630	1	WASHER	
11	90025304014	4	SCREW 4X14	
12	10153439530	1	PLATE, GUIDE	
13	90025604016	4	SCREW 4X16	
14	90021605012	2	SCREW 5X12	
15	90060300005	2	WASHER 5	
16	17724704630	2	SPACER	
17	17721835631	2	PAWL, STARTER	
18	17723435430	2	SPRING, RETURN	



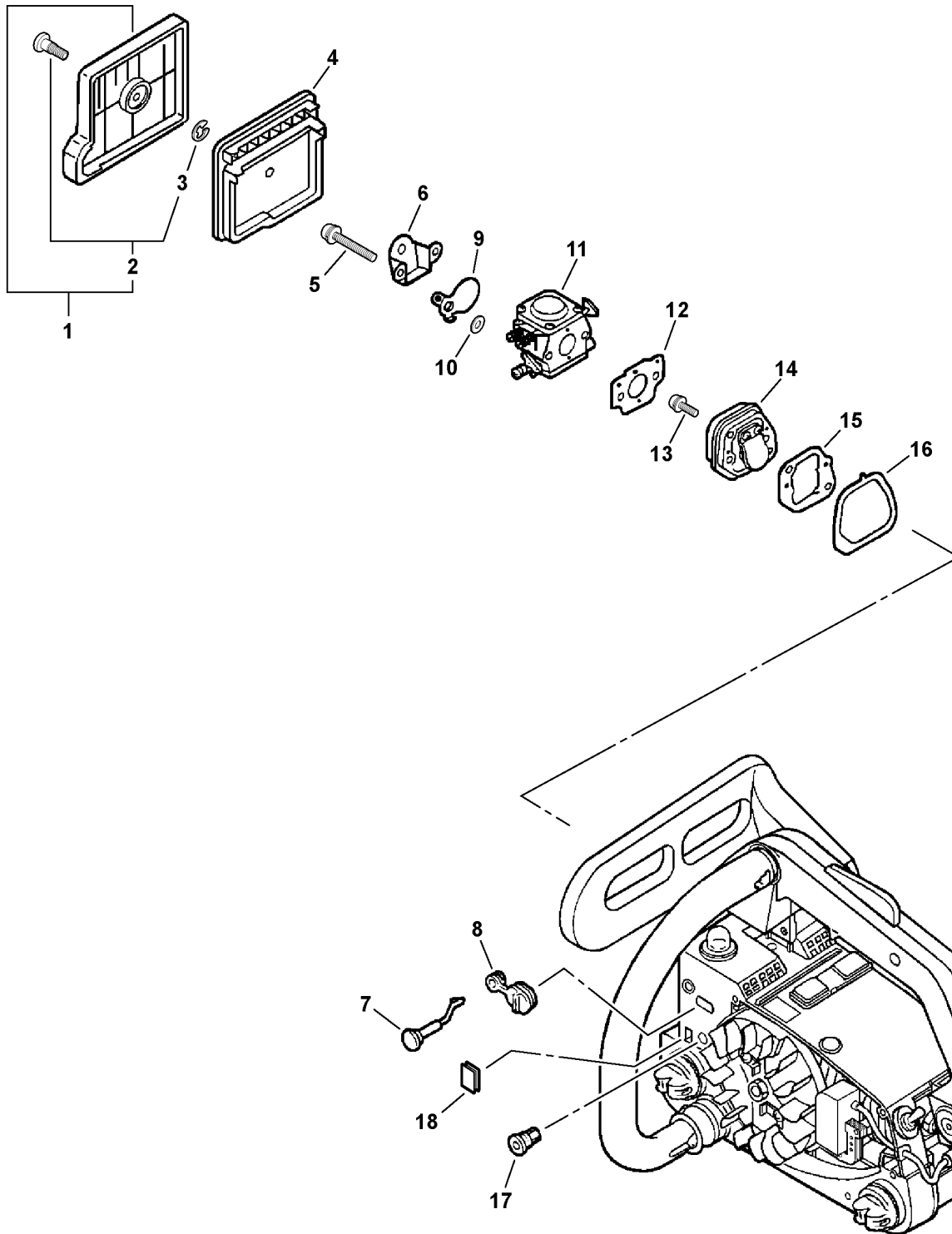
015 0002 ORG

ITEM	PART NUMBER	QTY	DESCRIPTION	REMARKS
1	P021011560	1	STARTER ASY	INCLUDES ITEMS 2-13
2	89011849330	1	LABEL, ECHO	
3	A500000460	1	HOUSING, STARTER - ORANGE	
4	17722739131	1	GUIDE, ROPE	
5	90029603014	1	SCREW 3X14	
6	17722835430	1	GRIP, STARTER	
7	17722039630	1	SPRING, REWIND	
8	17722139630	1	PLATE, STARTER	
9	17722606530	1	ROPE, STARTER - 3X850mm	REPOWER BULK OPTION: 99944444000
10	A506000090	1	REEL, ROPE	
11	17721404630	1	WASHER	
12	90025304014	4	SCREW 4X14	
13	10153439530	1	PLATE, GUIDE	
14	90025604016	4	SCREW 4X16	
15	90021605012	2	SCREW 5X12	
16	90060300005	2	WASHER 5	
17	17724704630	2	SPACER	
18	17721835631	2	PAWL, STARTER	
19	17723435430	2	SPRING, RETURN	



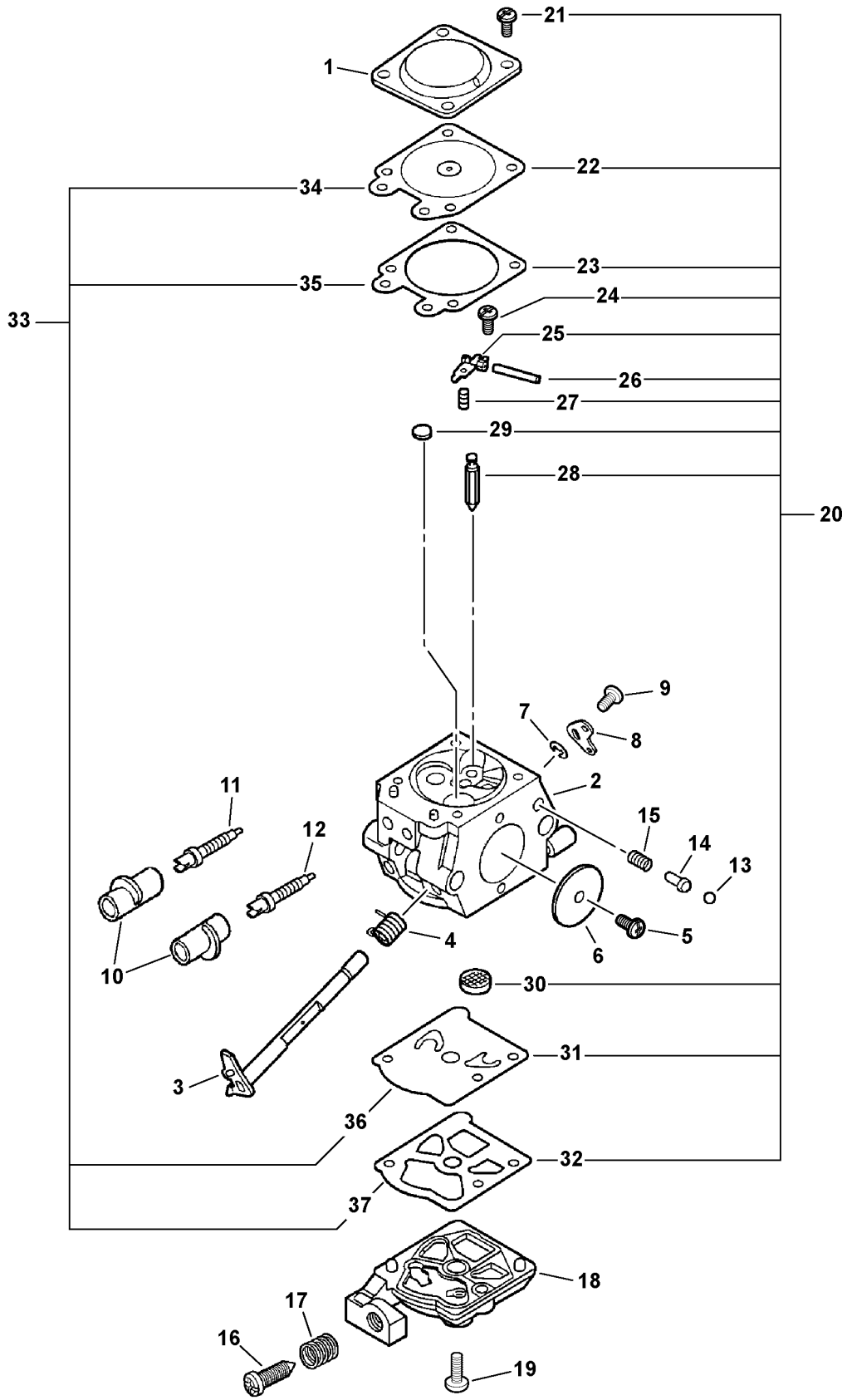
010 0003 00A

ITEM	PART NUMBER	QTY	DESCRIPTION	REMARKS
1	13030239136	1	AIR CLEANER COVER ASY	INCLUDES ITEM 2-3
2	13040613933	1	THUMB BOLT	INCLUDES ITEM 3
3	90070000004	1	E-RING 4	
4	13031039132	1	FILTER, AIR	
5	90023805045	2	SCREW 5X45	
6	12901139130	1	PLATE, PREVENT	
7	17851039230	1	ROD, CHOKE	
8	17881039630	1	GROMMET, CHOKE	
9	17851539130	1	SHUTTER, CHOKE	
10	17851603930	2	WASHER	
11	12300139133	1	CARBURETOR -- WT-589	
12	V103000021	1	GASKET, INTAKE	
13	90025005018	2	SCREW 5X18	
14	P021000010	1	INSULATOR KIT	
15	V103000120	1	GASKET, INTAKE	
16	13001239130	1	SEAL	
17	12902339130	1	GROMMET, IDLE	
18	10403439130	1	PLUG	



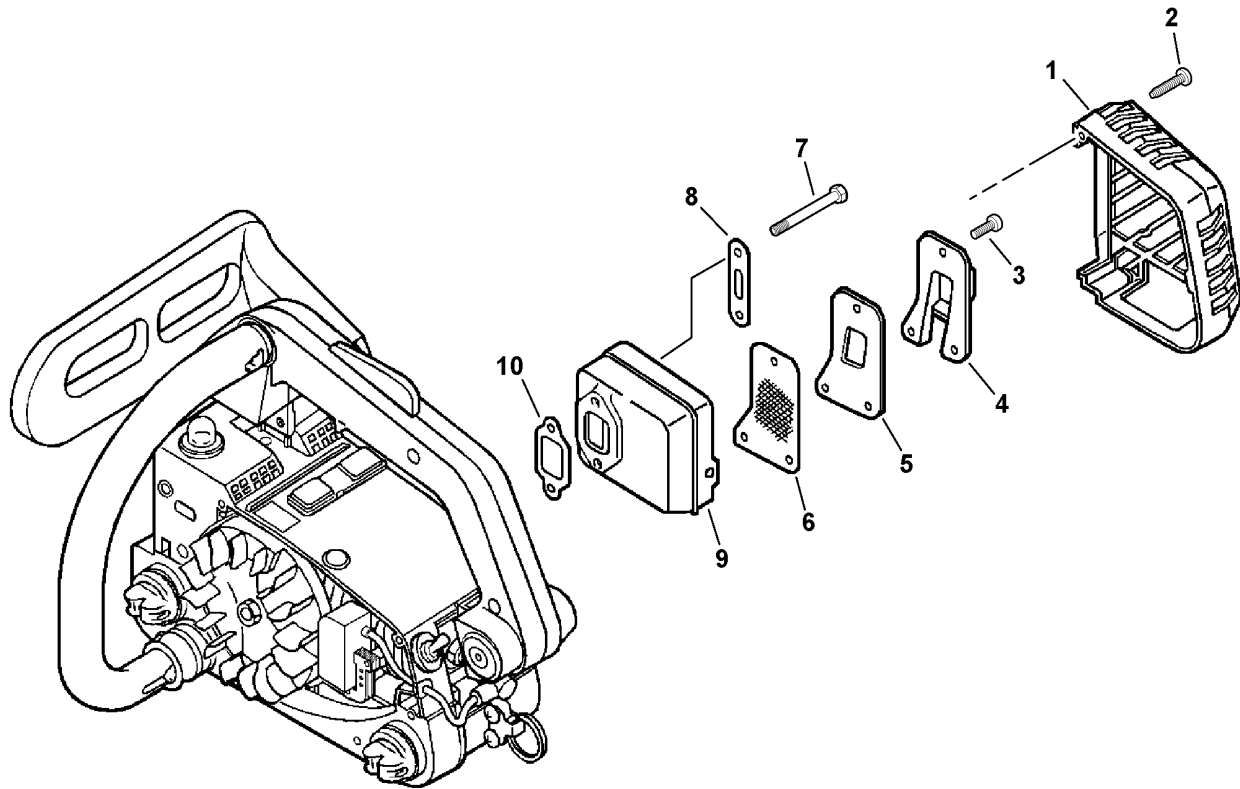
010 0003 00B

ITEM	PART NUMBER	QTY	DESCRIPTION	REMARKS
1	13030239136	1	AIR CLEANER COVER ASY	INCLUDES ITEM 2-3
2	13040613933	1	THUMB BOLT	INCLUDES ITEM 3
3	90070000004	1	E-RING 4	
4	13031039132	1	FILTER, AIR	
5	90023805045	2	SCREW 5X45	
6	12901139130	1	PLATE, PREVENT	
7	17851039230	1	ROD, CHOKE	
8	17881039630	1	GROMMET, CHOKE	
9	17851539130	1	SHUTTER, CHOKE	
10	17851603930	2	WASHER	
11	12300139133	1	CARBURETOR -- WT-589	
12	V103000021	1	GASKET, INTAKE	
13	90025005018	2	SCREW 5X18	
14	P021004590	1	INSULATOR KIT	
15	V103000120	1	GASKET, INTAKE	
16	13001239130	1	SEAL	
17	12902339130	1	GROMMET, IDLE	
18	10403439130	1	PLUG	



WT589A 0000 231

ITEM	PART NUMBER	QTY	DESCRIPTION	REMARKS
	A021000231	1	CARBURETOR -- WT-589A	
1	12314203930	1	COVER, METERING DIAPHRAGM	
2	-----	1	BODY, CARBURETOR	NOT AVAILABLE SEPARATELY
3	12311739530	1	SHAFT, THROTTLE	
4	12311347530	1	SPRING, THROTTLE RETURN	
5	12311438830	1	SCREW, THROTTLE VALVE	
6	12311605230	1	VALVE, THROTTLE	
7	12312715030	1	CLIP, THROTTLE SHAFT	
8	12315039230	1	LEVER, THROTTLE	
9	12311438830	1	SCREW, THROTTLE LEVER	
10	P003000010	2	CAP, MIXTURE LIMITER	
11	12312043131	1	NEEDLE - HIGH SPEED	
12	12311839231	1	NEEDLE - LOW SPEED	
13	12313609660	1	BALL	
14	12318509660	1	PISTON ASY	
15	12318609660	1	SPRING, START VALVE	
16	12313419730	1	SCREW, IDLE ADJUST	
17	12313311130	1	SPRING, IDLE ADJUST	
18	12312409320	1	COVER, FUEL PUMP	
19	12311003930	1	SCREW, PUMP COVER	
20	12310037330	1	REPAIR KIT	INCLUDES ITEMS 21-32
21	12313002960	4	SCREW, DIAPHRAGM COVER	
22	-----	1	DIAPHRAGM, METERING	
23	-----	1	GASKET, METERING DIAPHRAGM	
24	-----	1	SCREW, METERING LEVER PIN	
25	-----	1	LEVER, METERING	
26	-----	1	PIN, METERING LEVER	
27	-----	1	SPRING, METERING LEVER	
28	-----	1	VALVE, INLET NEEDLE	
29	-----	1	PLUG, WELCH	
30	-----	1	SCREEN, INLET	
31	-----	1	DIAPHRAGM, FUEL PUMP	
32	-----	1	GASKET, FUEL PUMP	
33	12310105960	1	DIAPHRAGM/GASKET KIT	INCLUDES ITEMS 34-37
34	-----	1	DIAPHRAGM, METERING	
35	-----	1	GASKET, METERING DIAPHRAGM	
36	-----	1	DIAPHRAGM, FUEL PUMP	
37	-----	1	GASKET, FUEL PUMP	

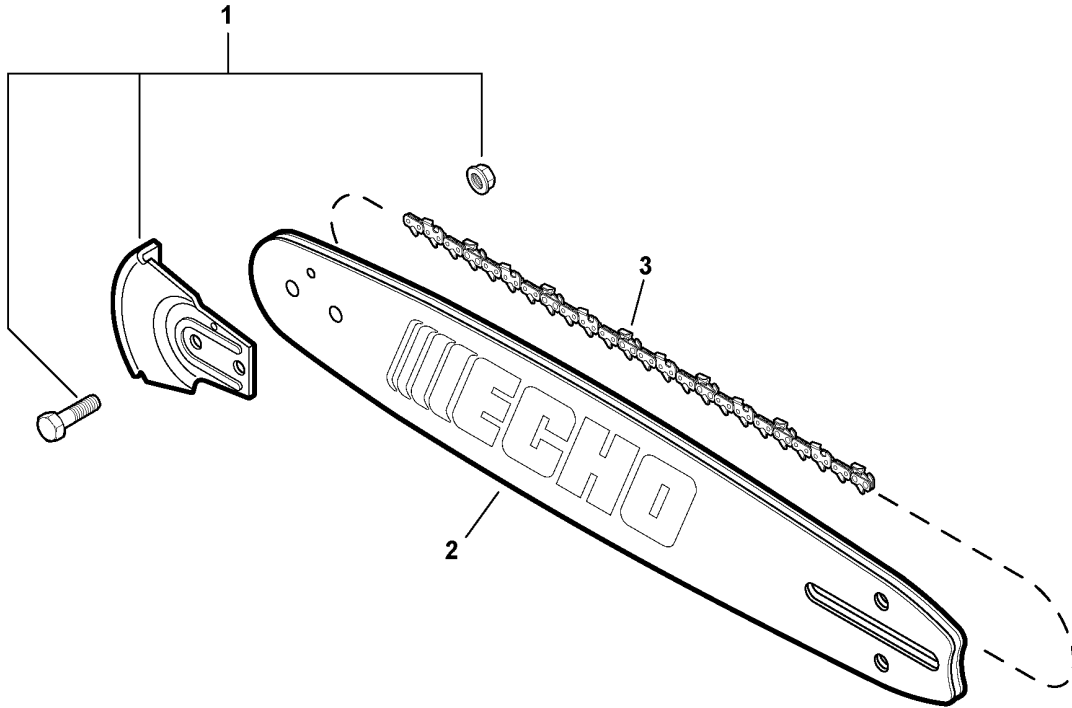


011 0002 000

CS-341 Chain Saw

Exhaust

ITEM	PART NUMBER	QTY	DESCRIPTION	REMARKS
1	A320000033	1	COVER, MUFFLER	
2	90025305020	2	SCREW 5X20	
3	9136704010	3	SCREW 4X10	
4	A303000010	1	GUIDE, EXHAUST	
5	V104000140	1	GASKET, EXHAUST	
6	14586213931	1	SCREEN, MUFFLER	
7	9110705045	2	FLANGE BOLT	
8	14564213930	1	EYE PLATE	
9	A300000120	1	MUFFLER	
10	14551013931	1	GASKET, MUFFLER	

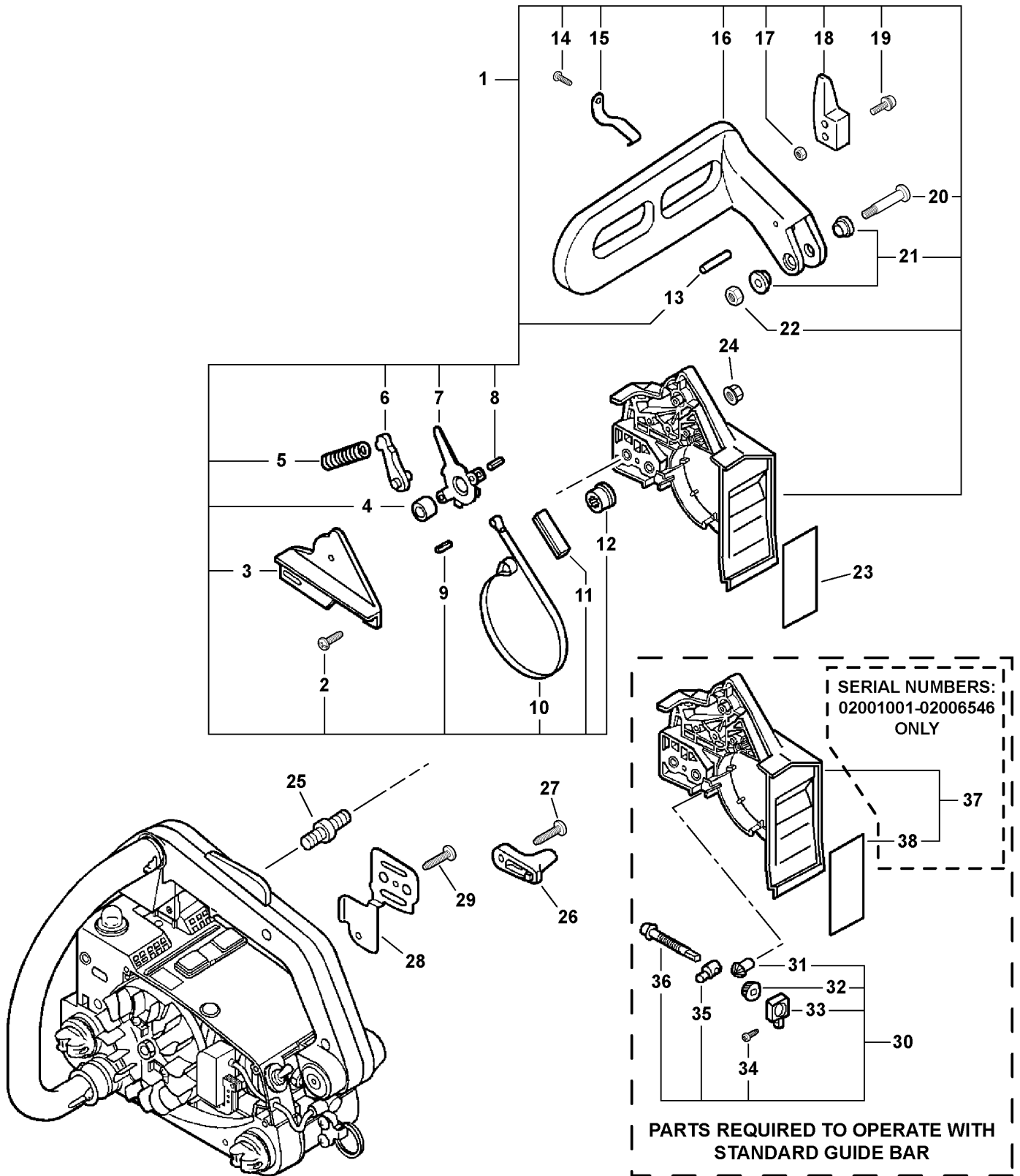


016 0003 000

ITEM	PART NUMBER	QTY	DESCRIPTION	REMARKS
1	2894901	1	KICK GUARD KIT	
2	12A0CD3745	1	GUIDE BAR - 12"	GAUGE: .050"
2	14A0CD3752	1	GUIDE BAR - 14"	GAUGE: .050"
2	16A0CD3757	1	GUIDE BAR - 16"	GAUGE: .050"
2	12A0ZD3745	1	GUIDE BAR - 12" -- Intenz	GAUGE: .050"
2	14A0ZD3752	1	GUIDE BAR - 14" -- Intenz	GAUGE: .050"
2	16A0ZD3757	1	GUIDE BAR - 16" -- Intenz	GAUGE: .050"
3	91VG52G	1	SAWING CHAIN - 14" -- XtraGUARD ¹	GAUGE: .050 / PITCH: .325"
3	91VG45G	1	SAWING CHAIN - 12" -- XtraGUARD ¹	GAUGE: .050 / PITCH: .325"
3	91VG57G	1	SAWING CHAIN - 16" -- XtraGUARD ¹	GAUGE: .050" / PITCH: .375"

Footnotes

1: Low Vibration

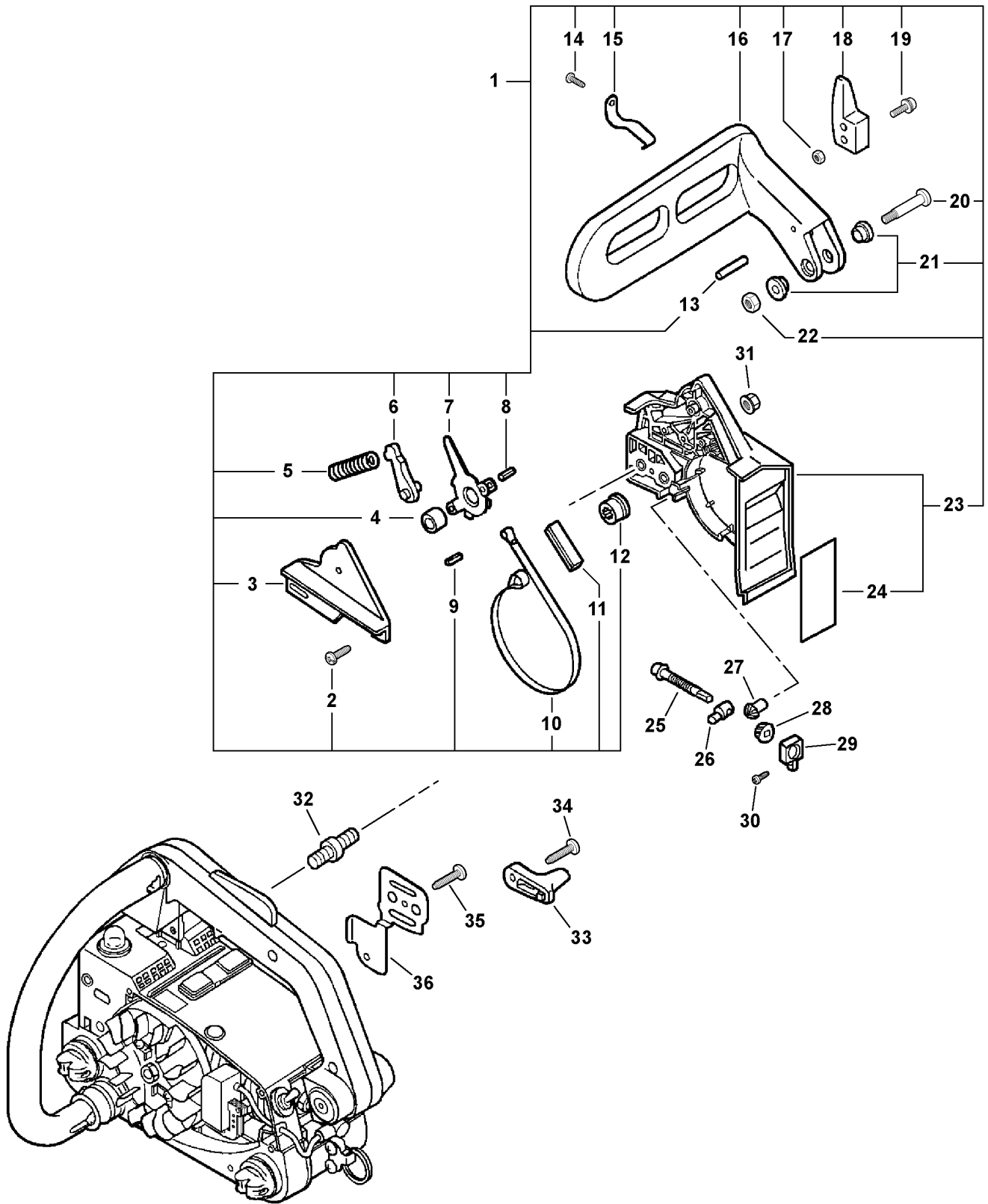


013 0004 000

ITEM	PART NUMBER	QTY	DESCRIPTION	REMARKS
1	C032000051	1	CHAIN BRAKE ASY	INCLUDES ITEM 2-22
2	90025304012	3	SCREW 4X12	
3	43331039530	1	COVER, BRAKE	
4	43311635430	1	SPACER 8	
5	43312235430	1	SPRING, BRAKE	
6	43320935430	1	STOPPER, BRAKE	
7	43320835431	1	LEVER, BRAKE	
8	90033040088	1	ROLLER, 4X8.8	
9	90034225012	1	SPRING PIN	
10	43312339530	1	BAND, BRAKE	
11	43331232630	1	COVER, SEAL	
12	43314235430	1	ADJUSTER, BRAKE	
13	90033040238	1	ROLLER, 4X23.8	
14	90025304010	1	SCREW 4X10	
15	43311439130	1	SPRING	
16	43314739131	1	LEVER, BRAKE	
17	90050000004	2	NUT 4	
18	43317139630	1	WEIGHT, BRAKE	
19	90023804020	2	SCREW 4X20	
20	9131805032	1	SCREW 5X32	
21	43316739130	2	SPACER	
22	90056000005	1	LOCKNUT	
23	V341000000	1	DEFLECTOR, HEAT	
24	43301903933	2	FLANGE NUT 6	
25	V224000030	2	STUD, GUIDE BAR	
26	43302635431	1	CATCHER, CHAIN	
27	90025305020	1	SCREW 5X20	
28	43301239131	1	PLATE, GUIDE	
29	90025304010	1	SCREW 4X10	
30	90102	1	SIDE ADJUSTER KIT ¹	INCLUDES ITEMS 31-36
31	V651000001	1	GEAR, BEVEL ¹	
32	V651000011	1	GEAR, BEVEL ¹	
33	V355000140	1	COLLAR ¹	
34	90025304012	1	SCREW 4X12 ¹	
35	C309000030	1	TENSIONER, CHAIN ¹	
36	V203000041	1	BOLT 5 ¹	
37	C300000041	1	GUARD, SPROCKET ¹	INCLUDES ITEM 38
38	V341000000	1	DEFLECTOR, HEAT ¹	

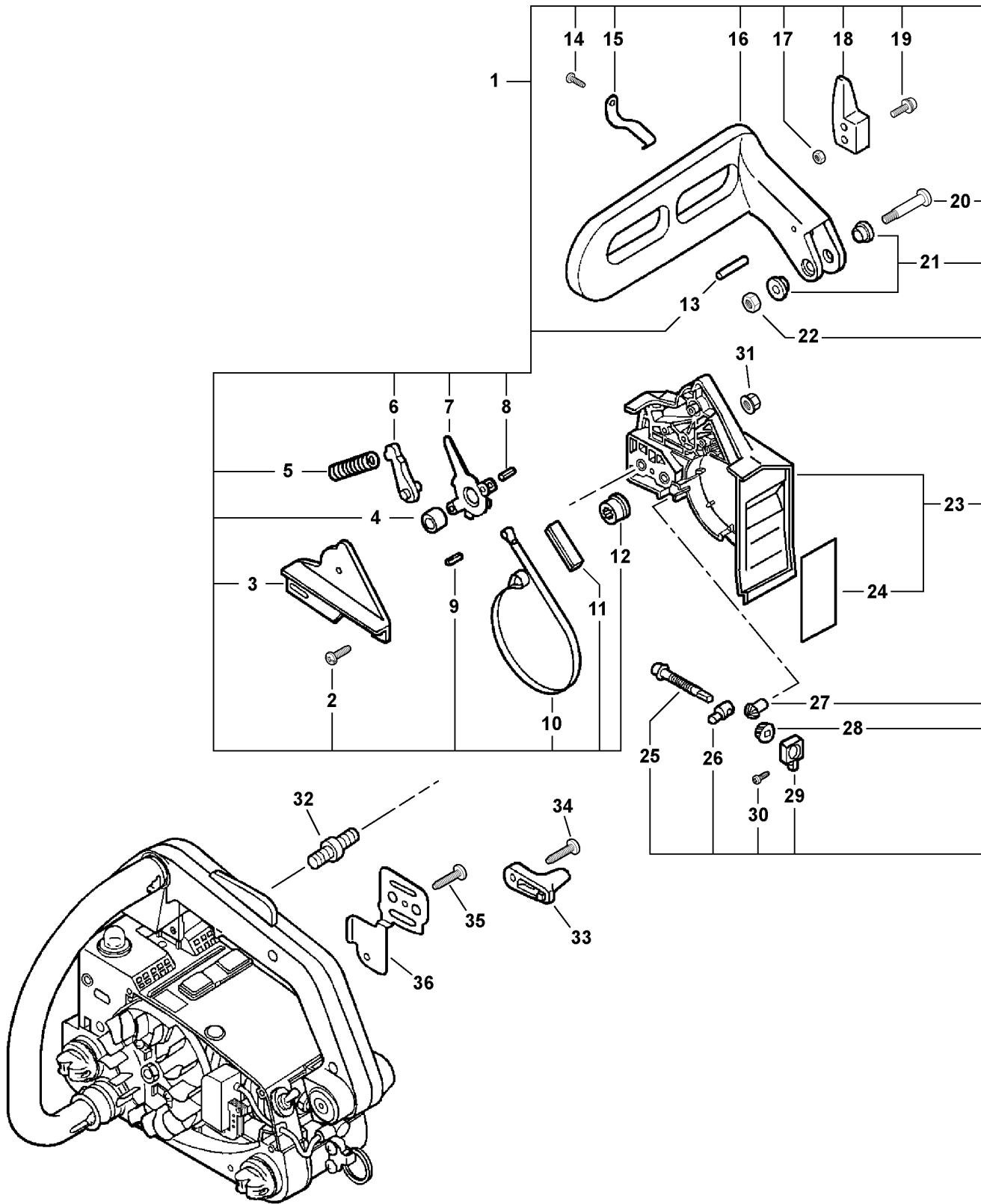
Footnotes

1: PARTS REQUIRED TO OPERATE WITH STANDARD GUIDE BAR



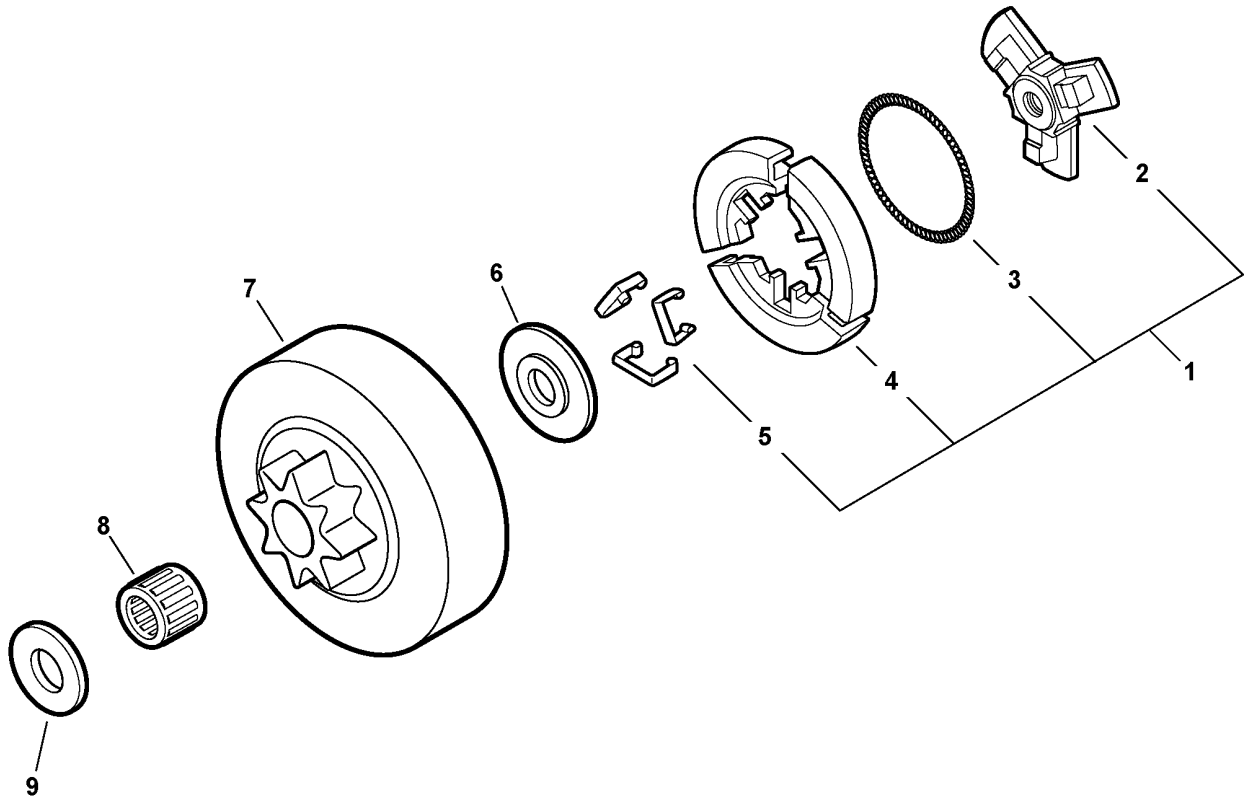
013 0005 GRY

ITEM	PART NUMBER	QTY	DESCRIPTION	REMARKS
1	C032000051	1	CHAIN BRAKE ASY	INCLUDES ITEM 2-24
2	90025304012	3	SCREW 4X12	
3	43331039530	1	COVER, BRAKE - GRAY	
4	43311635430	1	SPACER 8	
5	43312235430	1	SPRING, BRAKE	
6	43320935430	1	STOPPER, BRAKE	
7	43320835431	1	CONNECTOR, BRAKE	
8	90033040088	1	ROLLER, 4X8.8	
9	90034225012	1	SPRING PIN	
10	43312339530	1	BAND, BRAKE	
11	43331232630	1	COVER, SEAL	
12	43314235430	1	ADJUSTER, BRAKE	
13	90033040238	1	ROLLER, 4X23.8	
14	90025304012	1	SCREW 4X12	
15	43311439130	1	SPRING	
16	43314739131	1	LEVER, BRAKE - ORANGE	
17	90050000004	2	NUT 4	
18	43317139630	1	WEIGHT, BRAKE	
19	90023804022	2	SCREW 4X22	
20	9131805032	1	SCREW 5X32	
21	43316739130	2	SPACER	
22	90056000005	1	LOCKNUT	
23	C300000041	1	GUARD, SPROCKET - GRAY	INCLUDES ITEM 24
24	V341000000	1	DEFLECTOR, HEAT	
25	V203000041	1	BOLT 5	
26	C309000030	1	TENSIONER, CHAIN	
27	V651000001	1	GEAR, BEVEL	
28	V651000011	1	GEAR, BEVEL	
29	V355000140	1	COLLAR	
30	90025304012	1	SCREW 4X12	
31	43301903933	2	FLANGE NUT 6	
32	V224000030	2	STUD, GUIDE BAR	
33	43302635430	1	CATCHER, CHAIN	
34	90025305020	1	SCREW 5X20	
35	90025304010	1	SCREW 4X10	
36	43301239131	1	PLATE, GUIDE	



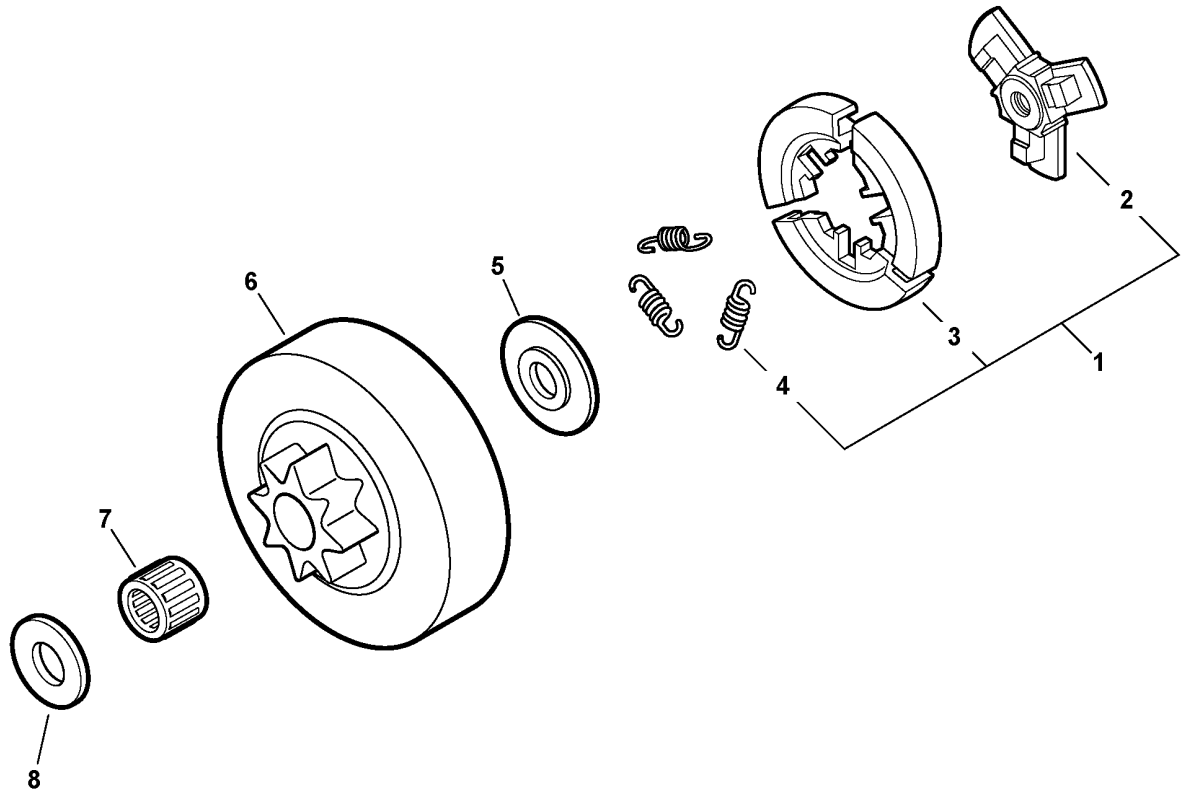
013 0005 ORG

ITEM	PART NUMBER	QTY	DESCRIPTION	REMARKS
1	P021011570	1	CHAIN BRAKE ASY	INCLUDES ITEM 2-30
2	90025304012	3	SCREW 4X12	
3	C345000230	1	COVER, BRAKE - ORANGE	
4	43311635430	1	SPACER 8	
5	43312235430	1	SPRING, BRAKE	
6	43320935430	1	STOPPER, BRAKE	
7	43320835431	1	CONNECTOR, BRAKE	
8	90033040088	1	ROLLER, 4X8.8	
9	90034225012	1	SPRING PIN	
10	43312339530	1	BAND, BRAKE	
11	43331232630	1	COVER, SEAL	
12	43314235430	1	ADJUSTER, BRAKE	
13	90033040238	1	ROLLER, 4X23.8	
14	90025304010	1	SCREW 4X10	
15	43311439130	1	SPRING	
16	C320000120	1	LEVER, BRAKE - BLACK	
17	90050000004	2	NUT 4	
18	43317139630	1	WEIGHT, BRAKE	
19	90023804020	2	SCREW 4X20	
20	9131805032	1	SCREW 5X32	
21	43316739130	2	SPACER	
22	90056200005	1	LOCKNUT	
23	C300000340	1	GUARD, SPROCKET - ORANGE	INCLUDES ITEM 24
24	V341000000	1	DEFLECTOR, HEAT	
25	V203000041	1	BOLT 5	
26	C309000030	1	TENSIONER, CHAIN	
27	V651000001	1	GEAR, BEVEL	
28	V651000011	1	GEAR, BEVEL	
29	V355000140	1	COLLAR	
30	90025304012	1	SCREW 4X12	
31	43301903933	2	FLANGE NUT 6	
32	V224000030	2	STUD, GUIDE BAR	
33	43302635430	1	CATCHER, CHAIN	
34	90025305020	1	SCREW 5X20	
35	90025304010	1	SCREW 4X10	
36	43301239131	1	PLATE, GUIDE	



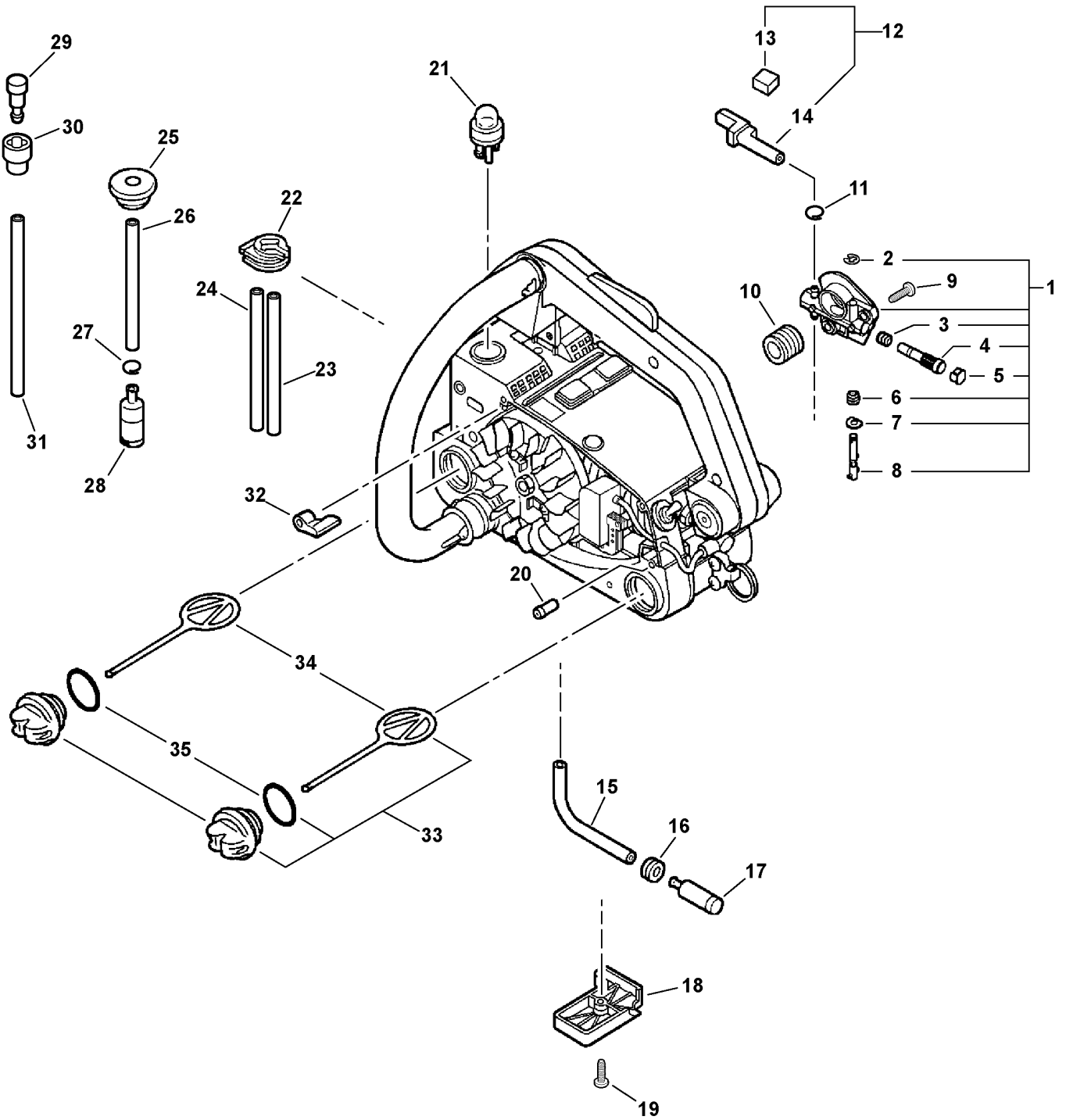
014 0003 000

ITEM	PART NUMBER	QTY	DESCRIPTION	REMARKS
1	A056000010	1	CLUTCH ASY	INCLUDES ITEM 2-5
2	A552000000	1	HUB, CLUTCH	
3	17501839430	1	SPRING, CLUTCH	
4	P021000270	1	CLUTCH SHOE SET	
5	17502259530	3	CLIP, SPRING	
6	17501939430	1	PLATE, CLUTCH	
7	17500539132	1	DRUM, CLUTCH	
8	17501235630	1	BEARING, NEEDLE	
9	17501439130	1	WASHER, CLUTCH	



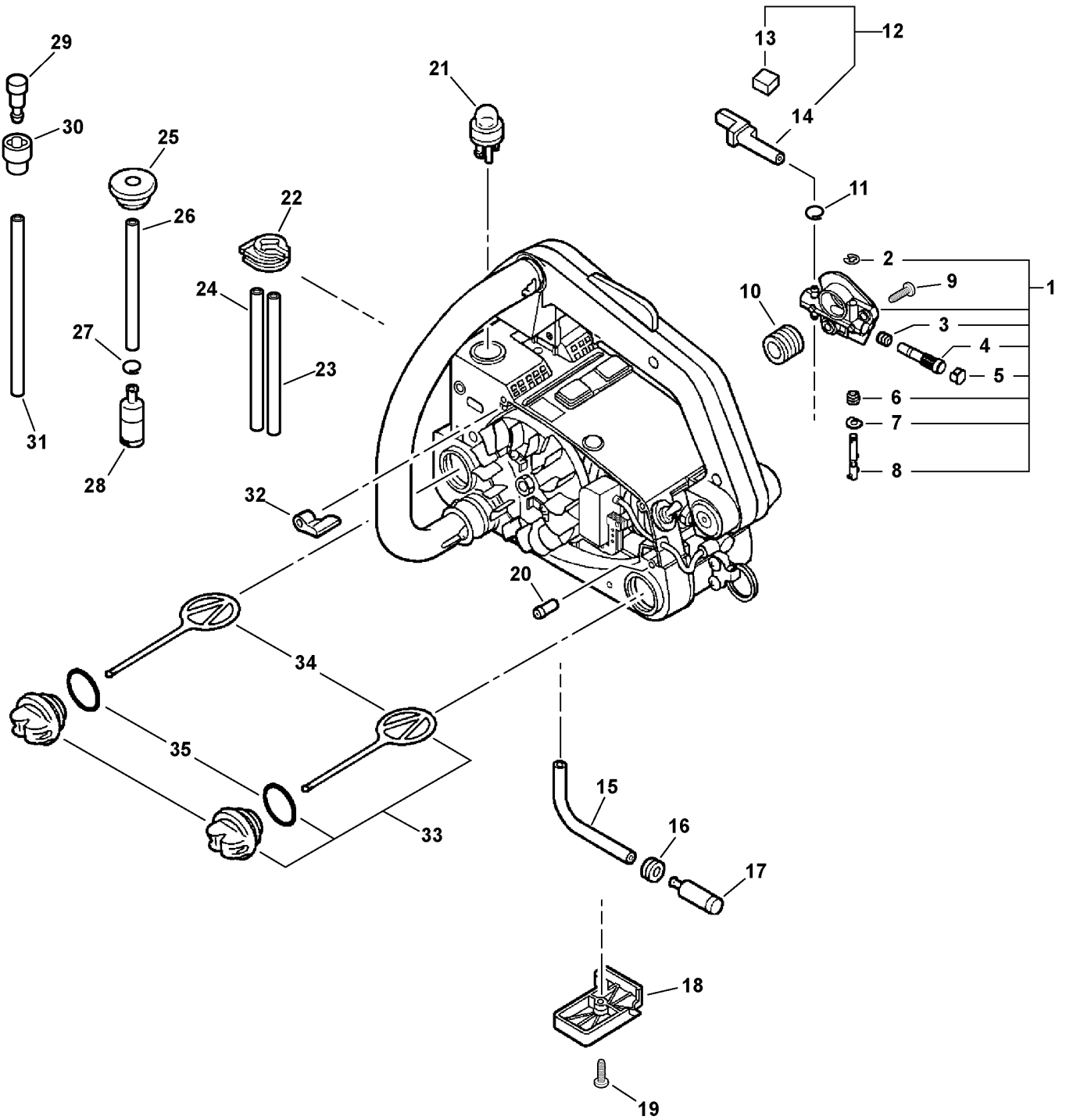
014 0002 000

ITEM	PART NUMBER	QTY	DESCRIPTION	REMARKS
1	A056000070	1	CLUTCH ASY	INCLUDES ITEMS 2-4
2	A552000020	1	HUB, CLUTCH	
3	P021005810	1	CLUTCH SHOE SET	
4	V451000470	3	SPRING, CLUTCH	
5	A551000010	1	PLATE, CLUTCH	
6	17500539132	1	DRUM, CLUTCH	
7	17501235630	1	BEARING, NEEDLE	
8	17501439131	1	WASHER, CLUTCH	



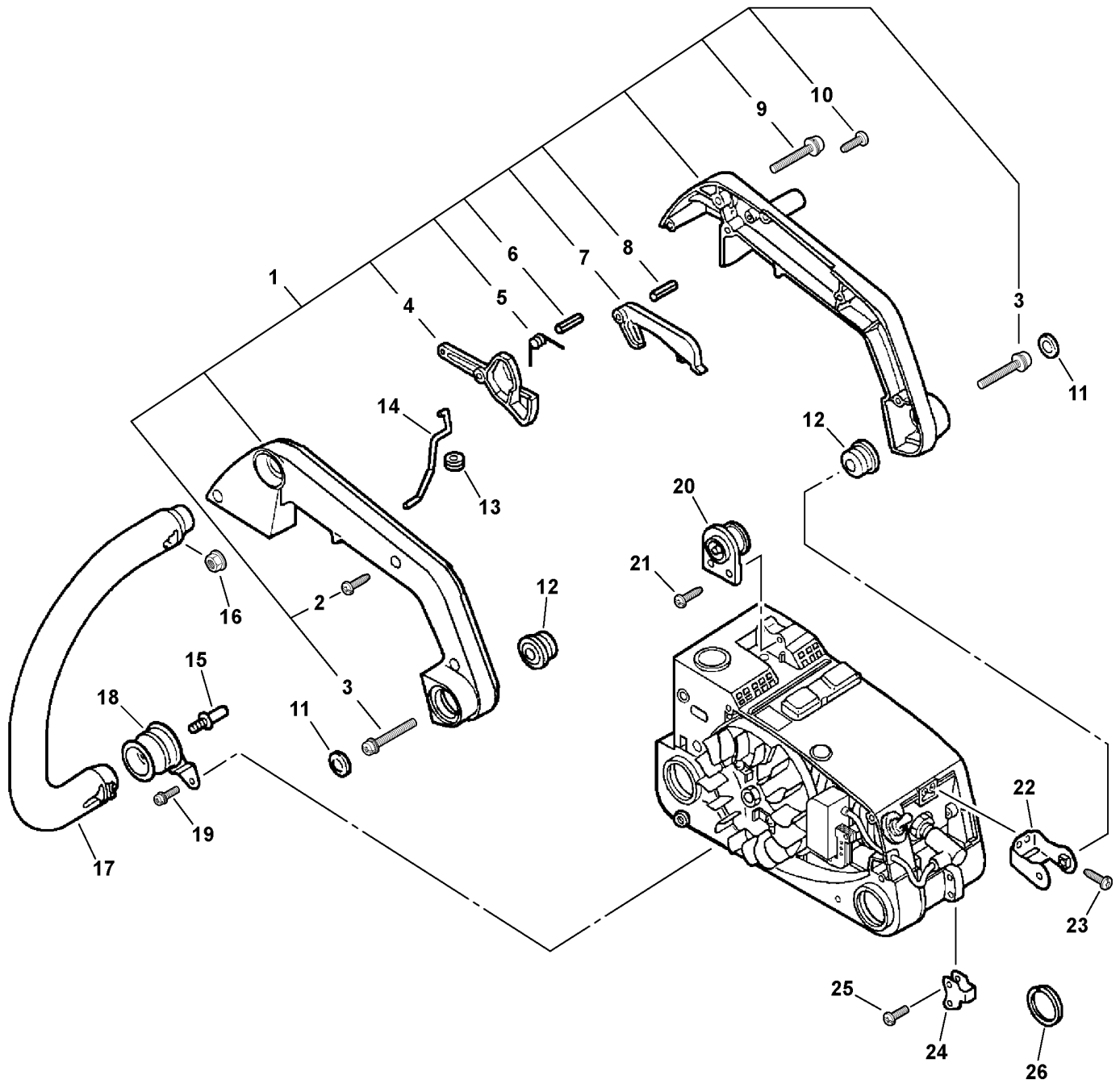
017 0002 GRY

ITEM	PART NUMBER	QTY	DESCRIPTION	REMARKS
1	43700239130	1	AUTO-OILER ASY	INCLUDES ITEMS 2-8
2	12312715030	1	RING	
3	43701938330	1	SPRING	
4	43702437330	1	PLUNGER	
5	43706237330	1	CAP, OIL PUMP	
6	43701537330	1	SPRING	
7	43702937330	1	WASHER	
8	43701639130	1	NEEDLE, ADJUST	
9	90023505012	2	SCREW 5X12	
10	43706338330	1	GEAR, WORM	
11	13201326630	1	CLIP	
12	43720139131	1	PIPE KIT, OIL	INCLUDES ITEMS 13-14
13	43724439130	1	PAD, FORM	
14	43721139133	1	PIPE	
15	V471000110	1	PIPE, VENT - 3X6X115mm	REPOWER BULK OPTION: 90015
16	V137000010	1	GROMMET	
17	43620502832	1	STRAINER, OIL	
18	10404439230	1	COVER, BOTTOM - GRAY	
19	90025604016	1	SCREW 4X16	
20	43611413930	1	VALVE, CHECK	
21	12318139130	1	PUMP, PRIMER	
22	13275839131	1	BRACKET, PUMP	
23	V471001200	1	PIPE, 3X5X70mm	REPOWER BULK OPTION: 90014
24	13271639130	1	PIPE, 2X4X42mm	REPOWER BULK OPTION: 90018
25	13211539130	1	GROMMET, FUEL	
26	13201239130	1	PIPE, 3X6X160mm	REPOWER BULK OPTION: 90015
27	13201326630	1	CLIP	
28	13120514930	1	STRAINER, FUEL	
29	A356000030	1	VENT ASY	
30	13132839130	1	COVER, VENT	
31	13201004920	1	PIPE, FUEL 3X5X150mm	REPOWER BULK OPTION: 90014
32	13033639530	1	PLUG	
33	43600139231	2	CAP ASY - ORANGE	INCLUDES ITEMS 34-35
34	A365000050	2	RETAINER, CAP	
35	90072100025	2	O-RING 25	



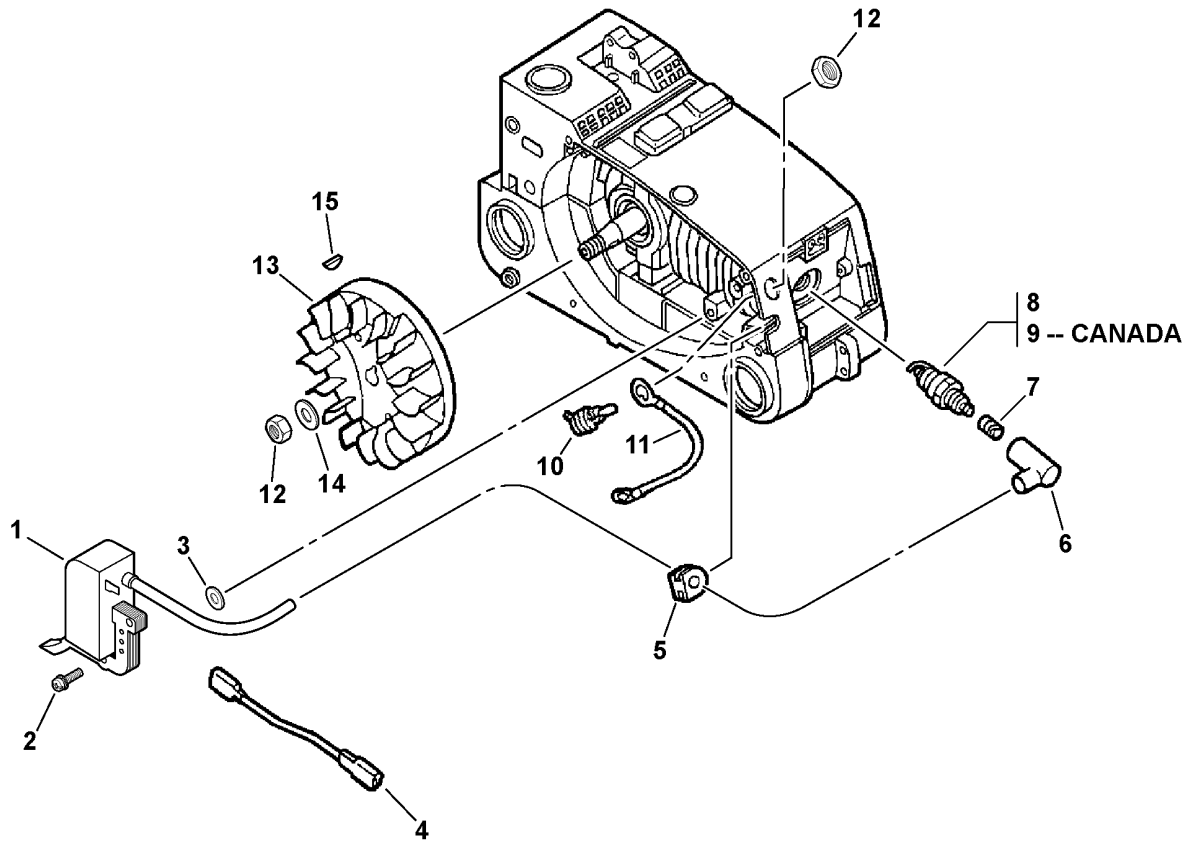
017 0002 ORG

ITEM	PART NUMBER	QTY	DESCRIPTION	REMARKS
1	43700239130	1	AUTO-OILER ASY	INCLUDES ITEMS 2-8
2	12312715030	1	RING	
3	43701938330	1	SPRING	
4	43702437330	1	PLUNGER	
5	43706237330	1	CAP, OIL PUMP	
6	43701537330	1	SPRING	
7	43702937330	1	WASHER	
8	43701639130	1	NEEDLE, ADJUST	
9	90023505012	2	SCREW 5X12	
10	43706338330	1	GEAR, WORM	
11	13201326630	1	CLIP	
12	43720139131	1	PIPE KIT, OIL	INCLUDES ITEMS 13-14
13	43724439130	1	PAD, FORM	
14	43721139133	1	PIPE	
15	V471000110	1	PIPE, VENT - 3X6X115mm	REPOWER BULK OPTION: 90015
16	V137000010	1	GROMMET	
17	43620502832	1	STRAINER, OIL	
18	10404439130	1	COVER, BOTTOM - ORANGE	
19	90025604016	1	SCREW 4X16	
20	43611413930	1	VALVE, CHECK	
21	12318139130	1	PUMP, PRIMER	
22	13275839131	1	BRACKET, PUMP	
23	V471001200	1	PIPE, 3X5X70mm	REPOWER BULK OPTION: 90014
24	13271639130	1	PIPE, 2X4X42mm	REPOWER BULK OPTION: 90018
25	13211539130	1	GROMMET, FUEL	
26	13201239130	1	PIPE, 3X6X160mm	REPOWER BULK OPTION: 90015
27	13201326630	1	CLIP	
28	13120514930	1	STRAINER, FUEL	
29	A356000030	1	VENT ASY	
30	13132839130	1	COVER, VENT	
31	13201004920	1	PIPE, FUEL 3X5X150mm	REPOWER BULK OPTION: 90014
32	13033639530	1	PLUG	
33	P021011590	2	CAP ASY - BLACK	INCLUDES ITEMS 35-36
34	A365000050	2	RETAINER, CAP	
35	90072100025	2	O-RING 25	



012 0004 000

ITEM	PART NUMBER	QTY	DESCRIPTION	REMARKS
1	35110039131	1	HANDLE SET - REAR	INCLUDES ITEMS 2-10
2	90025604016	3	SCREW 4X16	
3	90023804010	2	SCREW 4X10	
4	17801039131	1	CONTROL, THROTTLE	
5	17804339131	1	SPRING, THROTTLE RETURN	
6	90034540025	1	SPRING PIN	
7	17809039130	1	LOCKOUT, THROTTLE	
8	90034540020	1	SPRING PIN 4X20	
9	90023805035	1	SCREW 5X35	
10	90023805014	1	SCREW 5X14	
11	10091815130	2	CAP	
12	10092139130	2	CUSHION	
13	17821039130	1	GROMMET, THROTTLE	
14	17801139131	1	ROD, THROTTLE	
15	10091533930	1	SCREW	
16	90051600005	1	FLANGE NUT 5	
17	35161039130	1	HANDLE, FRONT	
18	10091035630	1	CUSHION	
19	90025604016	1	SCREW 4X16	
20	10090739131	1	CUSHION	
21	90025304014	2	SCREW 4X14	
22	35112339131	1	SUPPORTER	
23	90025304014	2	SCREW 4X14	
24	30031439130	1	FIXTURE, HARNESS	
25	90023804016	2	SCREW 4X16	
26	30101652730	1	RING, HARNESS	

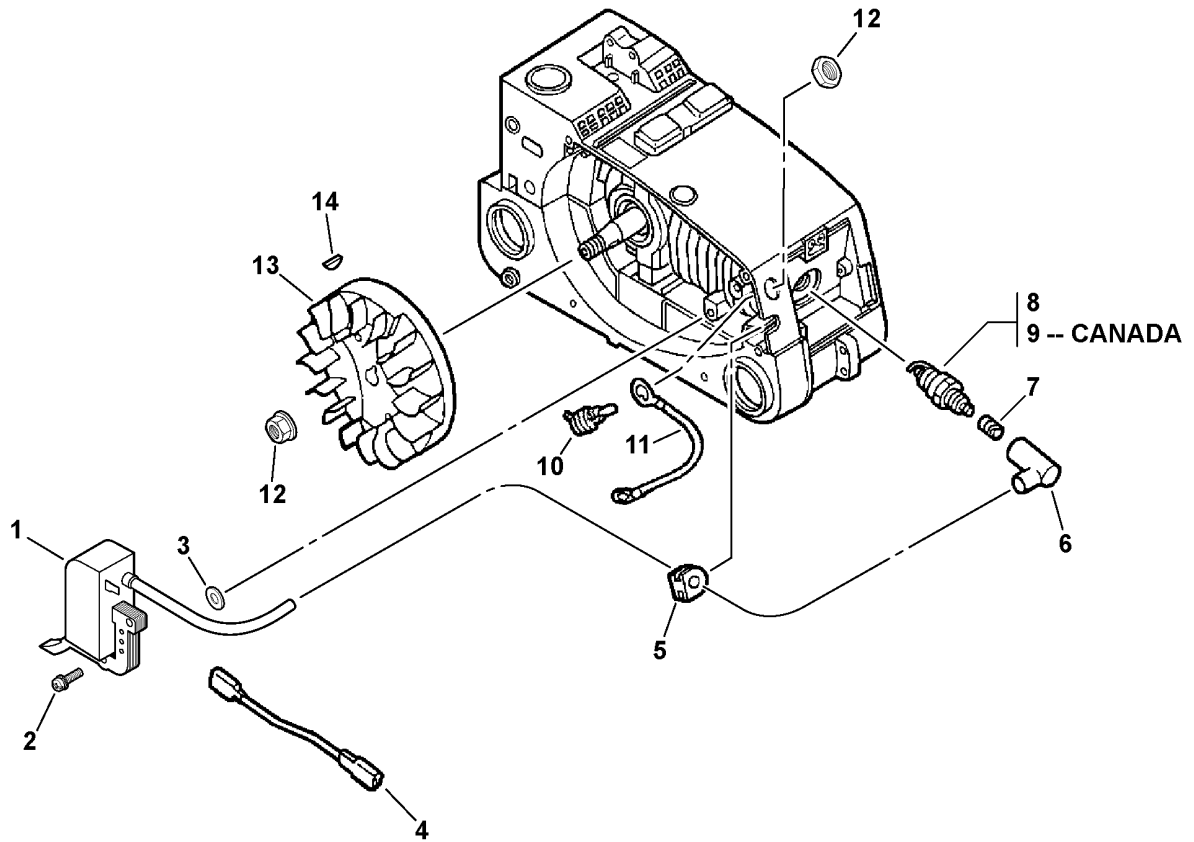


018 0002 000

ITEM	PART NUMBER	QTY	DESCRIPTION	REMARKS
1	A411000150	1	COIL, IGNITION	
2	90023805022	2	SCREW 5X22	
3	15011716430	2	SPACER	
4	16201039430	1	LEAD, IGNITION	
5	15611004920	1	BUSHING	
6	15901201620	1	CAP, SPARK PLUG	
7	15901103432	1	TERMINAL, SPARK PLUG CAP	
8	15901019830	1	SPARK PLUG -- BPM-8Y	
9	A425000000	1	SPARK PLUG -- BPMR-8Y ¹	
10	16340019830	1	SWITCH, IGNITION	
11	16201039131	1	LEAD, GROUND	
12	90050000008	1	NUT 8	
13	15680039231	1	FLYWHEEL	
14	90060000008	1	WASHER 8	
15	10014239130	1	WOODRUFF KEY	

Footnotes

1: CANADA MODELS

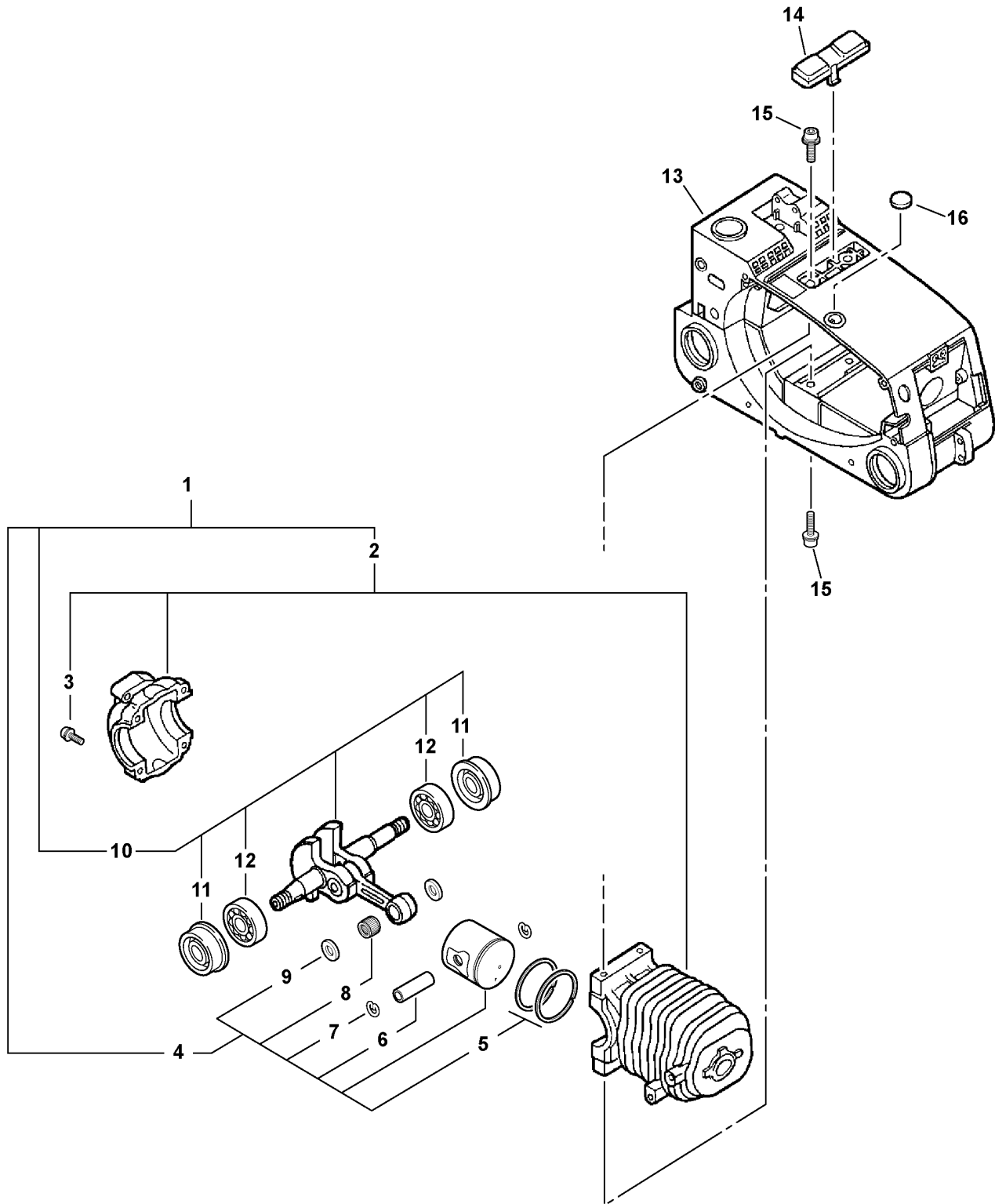


018 0003 000

ITEM	PART NUMBER	QTY	DESCRIPTION	REMARKS
1	A411000150	1	COIL, IGNITION	
2	90023805022	2	SCREW 5X22	
3	15011716430	2	SPACER	
4	16201039430	1	LEAD, IGNITION	
5	15611004920	1	BUSHING	
6	15901201620	1	CAP, SPARK PLUG	
7	15901103432	1	TERMINAL, SPARK PLUG CAP	
8	15901019830	1	SPARK PLUG -- BPM-8Y	
9	A425000000	1	SPARK PLUG -- BPMR-8Y ¹	
10	16340019830	1	SWITCH, IGNITION	
11	16201039131	1	LEAD, GROUND	
12	90051500008	1	FLANGE NUT 8	
13	A409000142	1	FLYWHEEL	
14	10014239130	1	WOODRUFF KEY	

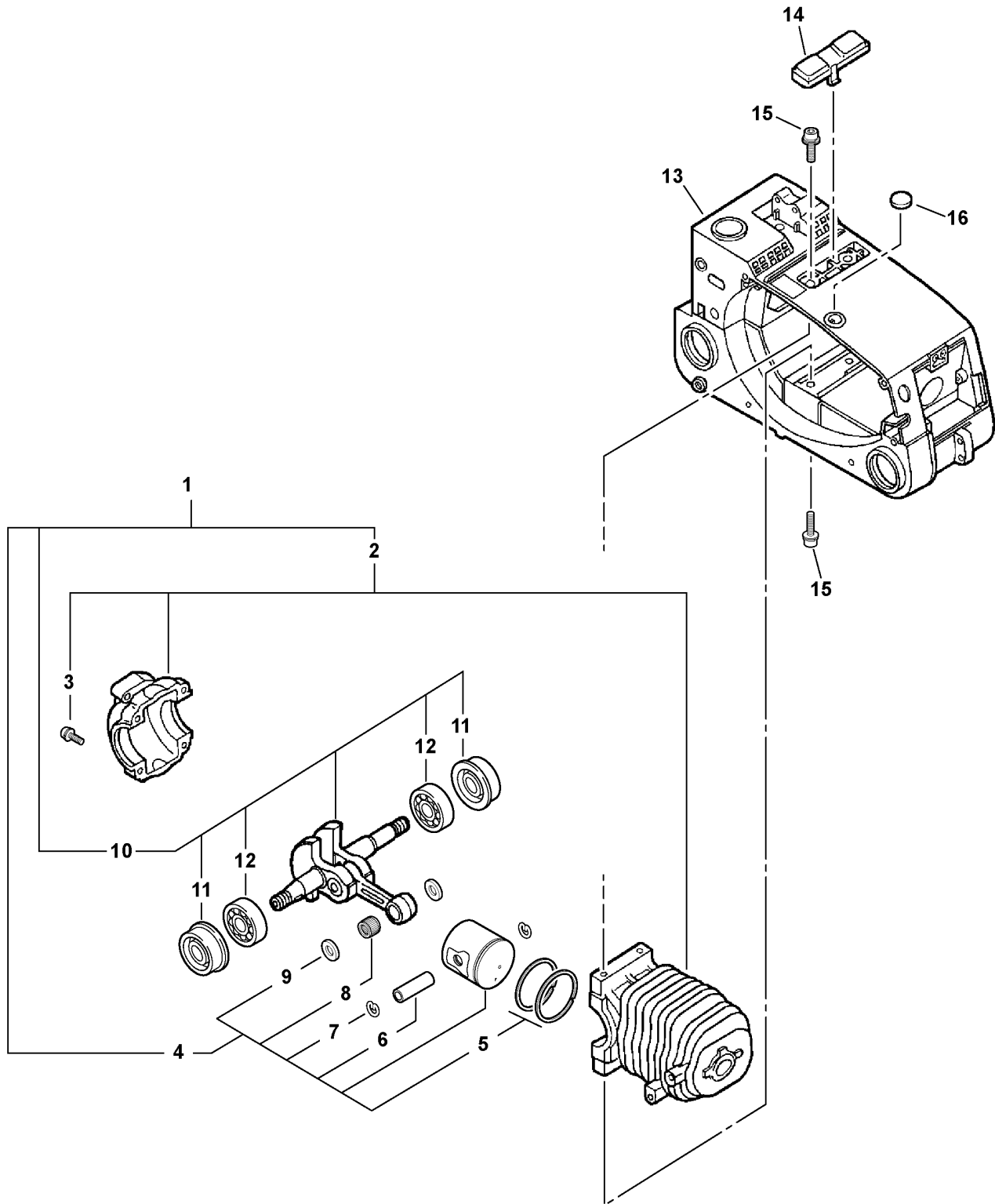
Footnotes

1: CANADA MODELS



SB1069 0000 GRY

ITEM	PART NUMBER	QTY	DESCRIPTION	REMARKS
1	SB1069	1	SHORT BLOCK	INCLUDES ITEMS 2-12
2	-----	1	CRANKCASE SET	INCLUDES ITEM 3
3	90023805025	4	SCREW 5X25	
4	P021002271	1	PISTON KIT	INCLUDES ITEMS 5-9
5	A101000060	2	RING, PISTON	
6	10001315330	1	PIN, PISTON	
7	10001504630	2	CIRCLIP, PISTON PIN	
8	17501203930	1	BEARING, NEEDLE	
9	10001411520	2	SPACER, PISTON PIN	
10	-----	1	CRANKSHAFT ASY	INCLUDES ITEMS 11-12
11	V505000010	2	OIL SEAL	
12	90081036201	2	BEARING, BALL	
13	A190000021	1	COVER, ENGINE - GRAY	
14	10402939230	1	COVER, TOP - GRAY	
15	9111005016	4	SCREW 5X16	
16	16391139130	1	PLUG	



SB1069 0000 ORG

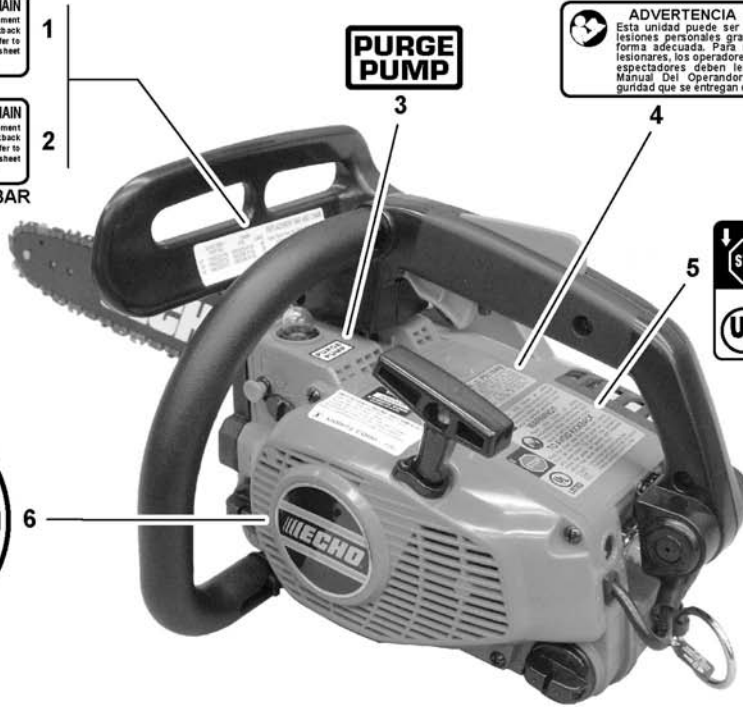
ITEM	PART NUMBER	QTY	DESCRIPTION	REMARKS
1	SB1069	1	SHORT BLOCK	INCLUDES ITEMS 2-12
2	-----	1	CRANKCASE SET	INCLUDES ITEM 3
3	90023805025	4	SCREW 5X25	
4	P021002271	1	PISTON KIT	INCLUDES ITEMS 5-9
5	A101000060	2	RING, PISTON	
6	10001315330	1	PIN, PISTON	
7	10001504630	2	CIRCLIP, PISTON PIN	
8	17501203930	1	BEARING, NEEDLE	
9	10001411520	2	SPACER, PISTON PIN	
10	-----	1	CRANKSHAFT ASY	INCLUDES ITEMS 11-12
11	V505000010	2	OIL SEAL	
12	90081036201	2	BEARING, BALL	
13	A190000640	1	COVER, ENGINE - ORANGE	
14	10402939130	1	COVER, TOP - ORANGE	
15	9111005016	4	SCREW 5X16	
16	16391139130	1	PLUG	

FOR MODELS WITH "INTENZ" GUIDE BAR

GUIDE BAR PART NO.	CHAIN TYPE	LINKS	REPLACEMENT BAR AND CHAIN
12" 122374501	OREGON 91VG	45	Max: There may be other replacement components for achieving kickback protection. For details, please refer to the bar and chain combination sheet shown in the instruction manual.
14" 142375201	OREGON 91VG	52	
16" 162375701	OREGON 91VG	57	

GUIDE BAR PART NO.	CHAIN TYPE	LINKS	REPLACEMENT BAR AND CHAIN
12" 12A0CD3745	OREGON 91VG	45	Max: There may be other replacement components for achieving kickback protection. For details, please refer to the bar and chain combination sheet shown in the instruction manual.
14" 14A0CD3752	OREGON 91VG	52	
16" 16A0CD3757	OREGON 91VG	57	

FOR MODELS WITH STANDARD GUIDE BAR



PURGE PUMP

ADVERTENCIA PELIGRO
 Esta unidad puede ser peligrosa y producir lesiones personales graves si no se usa en forma adecuada. Para reducir el riesgo de lesiones, los operadores, los ayudantes y los espectadores deben leer y comprender el Manual del Operador y los Manuales de seguridad que se entregan escritos en español.

CS-341

WARNING!
 Read and follow all safety precautions in safety manual. Failure to follow instructions could result in serious personal injury.

TO AVOID KICKBACK
 Hold the chain saw firmly with both hands. Don't let the nose of the guide bar contact any obstruction. Tip contact may suddenly move the guide bar upward and backward which may cause serious injury.

UL
 LISTED IN ACCORDANCE WITH AMERICAN NATIONAL STANDARD SAFETY SPECIFICATIONS FOR GASOLINE POWERED CHAINSAWS (ANSI B 175.1-1993)



ECHO
CS-341



WARNING
 Chain brake must be unlocked before removing or installing clutch cover. Improper installation can result in serious injury and cause severe damage to saw.
 La fobortis nisl ut aliquip ex. elit, sed nonummy neuismod tincidunt ut laoreet doloremagna aliquam erat volutpat. Ut wisi enim ad minim veniam, quis nostrud exerci tation ullamcorperquis nostrud exercic.



100 0006 USB

CS-341 Chain Saw

Labels

ITEM	PART NUMBER	QTY	DESCRIPTION	REMARKS
1	89019239531	1	LABEL - BAR & CHAIN	For Models With "Intenz" Guide Bar
2	X524000792	1	LABEL - BAR & CHAIN	For Models With Standard Guide Bar
3	89016739230	1	LABEL - PURGE PIMP	
4	89022839131	1	LABEL - WARNING -- SPANISH	
5	X524000333	1	LABEL - WARNING -- KICKBACK	
6	89011849330	1	LABEL - ECHO	
7	X532000671	1	LABEL - SPARK PLUG -- BPM-8Y	
8	X503001480	1	LABEL - MODEL -- CS-341	
9	89016006361	1	LABEL - CAUTION -- HOT	
10	X505002060	1	LABEL - WARNING -- CHAINBRAKE	

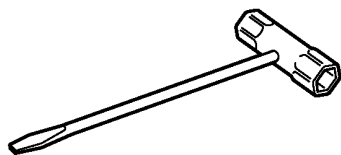
RePower Tune-Up Kit	Contains: Service Number	Description
90076	13031039132	AIR FILTER
	13120507320	FUEL FILTER
	15901019830	SPARK PLUG -- BPM-8Y

<u>ITEM</u>	<u>PART NUMBER</u>	<u>QTY</u>	<u>DESCRIPTION</u>	<u>REMARKS</u>
1	90076	1	TUNE-UP KIT	

WRENCH W/SCREWDRIVER (Also Remove Spark Plugs)

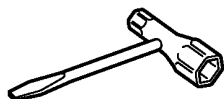
1 - 89541010630 -- 17X19mm

2 - X602000020 -- 17X19mm



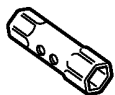
3 - 89541039131 -- 10X19mm

4 - 89541006960 -- 13X19mm



BOX WRENCH

5 - X602000031 -- 17X14.5mm



LOCKING BAR

6 - 89751801131 -- 5X120mm



SPANNER

7 - 89511200330 -- 8X10mm

8 - 89512220960 -- 17X19mm



9 - 89501505260 -- 10mm



HEX BAR

10 - 89541220960 -- 10mm



L-WRENCH

11 - 89561203430 -- 3mm



12 - 89561000130 -- 4mm

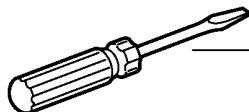


13 - 89561100330 -- 5mm

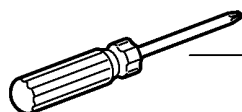


SCREWDRIVER

14 - 89581100130 -- 125mm



15 - 89581203930 -- 50mm



200 0001 000

ITEM	PART NUMBER	QTY	DESCRIPTION	REMARKS
1	89541010630	1	WRENCH/SCREWDRIVER -- 17X19mm	
2	X602000020	1	WRENCH/SCREWDRIVER -- 17X19mm	
3	89541039131	1	WRENCH/SCREWDRIVER -- 10X19mm	
4	89541006960	1	WRENCH/SCREWDRIVER -- 13X19mm	
5	X602000031	1	BOX WRENCH -- 17X14.5mm	
6	89751801131	1	LOCKING BAR -- 5X120mm	
7	89511200330	1	SPANNER -- 8X10mm	
8	89512220960	1	SPANNER -- 17X19mm	
9	89501505260	1	SPANNER -- 10mm	
10	89541220960	1	HEX BAR -- 10mm	
11	89561203430	1	L-WRENCH -- 3mm	
12	89561000130	1	L-WRENCH -- 4mm	
13	89561100330	1	L-WRENCH -- 5mm	
14	89581100130	1	SCREWDRIVER -- 125mm	
15	89581203930	1	SCREWDRIVER -- 50mm	



Part Number Index

Click The Page Number After Any Part Number To View The Diagram Containing That Part.

Part Number	Page	Part Number	Page	Part Number	Page	Part Number	Page
-----	13, 39, 41	17501235630	25, 27	89541220960	47	C320000120	23
10001315330	39, 41	17501439130	25	89561000130	47	C345000230	23
10001411520	39, 41	17501439131	27	89561100330	47	P003000010	13
10001504630	39, 41	17501839430	25	89561203430	47	P021000010	9
10014239130	35, 37	17501939430	25	89581100130	47	P021000270	25
10090739131	33	17502259530	25	89581203930	47	P021002271	39, 41
10091035630	33	17720039631	5	89751801131	47	P021004590	11
10091533930	33	17721404630	5, 7	90021605012	5, 7	P021005810	27
10091815130	33	17721835631	5, 7	90023505012	29, 31	P021011560	7
10092139130	33	17722039630	5, 7	90023804010	33	P021011570	23
10153439530	5, 7	17722139630	5, 7	90023804016	33	P021011590	31
10402939130	41	17722606530	5, 7	90023804020	19, 23	SB1069	39, 41
10402939230	39	17722739131	5, 7	90023804022	21	V103000021	9, 11
10403439130	9, 11	17722835430	5, 7	90023805014	33	V103000120	9, 11
10404439130	31	17723239630	5	90023805022	35, 37	V104000140	15
10404439230	29	17723435430	5, 7	90023805025	39, 41	V137000010	29, 31
12300139133	9, 11	17724704630	5, 7	90023805035	33	V203000041	19, 21, 23
12310037330	13	17801039131	33	90023805045	9, 11	V224000030	19, 21, 23
12310105960	13	17801139131	33	90025005018	9, 11	V341000000	19, 21, 23
12311003930	13	17804339131	33	90025304010	19, 21, 23	V355000140	19, 21, 23
12311347530	13	17809039130	33	90025304012	19, 21, 23	V451000470	27
12311438830	13	17821039130	33	90025304014	5, 7, 33	V471000110	29, 31
12311605230	13	17851039230	9, 11	90025305020	15, 19, 21, 23	V471001200	29, 31
12311739530	13	17851539130	9, 11	90025604016	5, 7, 29, 31, 33	V505000010	39, 41
12311839231	13	17851603930	9, 11	90029603014	5, 7	V651000001	19, 21, 23
12312043131	13	17881039630	9, 11	90033040088	19, 21, 23	V651000011	19, 21, 23
12312409320	13	2894901	17	90033040238	19, 21, 23	X503001480	43
12312715030	13, 29, 31	30031439130	33	90034225012	19, 21, 23	X505002060	43
12313002960	13	30101652730	33	90034540020	33	X524000333	43
12313311130	13	35110039131	33	90034540025	33	X524000792	43
12313419730	13	35112339131	33	90050000004	19, 21, 23	X532000671	43
12313609660	13	35161039130	33	90050000008	35	X602000020	47
12314203930	13	43301239131	19, 21, 23	90051500008	37	X602000031	47
12315039230	13	43301903933	19, 21, 23	90051600005	33		
12318139130	29, 31	43302635430	21, 23	90056000005	19, 21		
12318509660	13	43302635431	19	90056200005	23		
12318609660	13	43311439130	19, 21, 23	90060000008	35		
12901139130	9, 11	43311635430	19, 21, 23	90060300005	5, 7		
12902339130	9, 11	43312235430	19, 21, 23	90070000004	9, 11		
12A0CD3745	17	43312339530	19, 21, 23	90072100025	29, 31		
12A0ZD3745	17	43314235430	19, 21, 23	90076	45		
13001239130	9, 11	43314739131	19, 21	90081036201	39, 41		
13030239136	9, 11	43316739130	19, 21, 23	90102	19		
13031039132	9, 11	43317139630	19, 21, 23	9110705045	15		
13033639530	29, 31	43320835431	19, 21, 23	9111005016	39, 41		
13040613933	9, 11	43320935430	19, 21, 23	9131805032	19, 21, 23		
13120514930	29, 31	43331039530	19, 21	9136704010	15		
13132839130	29, 31	43331232630	19, 21, 23	91VG45G	17		
13201004920	29, 31	43600139231	29	91VG52G	17		
13201239130	29, 31	43611413930	29, 31	91VG57G	17		
13201326630	29, 31	43620502832	29, 31	A021000231	13		
13211539130	29, 31	43700239130	29, 31	A056000010	25		
13271639130	29, 31	43701537330	29, 31	A056000070	27		
13275839131	29, 31	43701639130	29, 31	A101000060	39, 41		
14551013931	15	43701938330	29, 31	A190000021	39		
14564213930	15	43702437330	29, 31	A190000640	41		
14586213931	15	43702937330	29, 31	A300000120	15		
14A0CD3752	17	43706237330	29, 31	A303000010	15		
14A0ZD3752	17	43706338330	29, 31	A320000033	15		
15011716430	35, 37	43720139131	29, 31	A356000030	29, 31		
15611004920	35, 37	43721139133	29, 31	A365000050	29, 31		
15680039231	35	43724439130	29, 31	A409000142	37		
15901019830	35, 37	89011849330	7, 43	A411000150	35, 37		
15901103432	35, 37	89016006361	43	A425000000	35, 37		
15901201620	35, 37	89016739230	43	A500000460	7		
16201039131	35, 37	89019239531	43	A506000090	5, 7		
16201039430	35, 37	89022839131	43	A551000010	27		
16340019830	35, 37	89501505260	47	A552000000	25		
16391139130	39, 41	89511200330	47	A552000020	27		
16A0CD3757	17	89512220960	47	C032000051	19, 21		
16A0ZD3757	17	89541006960	47	C300000041	19, 21		
17500539132	25, 27	89541010630	47	C300000340	23		
17501203930	39, 41	89541039131	47	C309000030	19, 21, 23		



Part Description Index

Click The Page Number After Any Part Description To View The Diagram Containing That Part.

A

ADJUSTER, BRAKE.....19, 21, 23
 AIR CLEANER COVER ASY.....9, 11
 AUTO-OILER ASY.....29, 31

B

BALL.....13
 BAND, BRAKE.....19, 21, 23
 BEARING, BALL.....39, 41
 BEARING, NEEDLE.....25, 27, 39, 41
 BODY, CARBURETOR.....13
 BOLT 5.....19, 21, 23
 BOX WRENCH -- 17X14.5mm.....47
 BRACKET, PUMP.....29, 31
 BUSHING.....35, 37

C

CAP.....33
 CAP ASY - BLACK.....31
 CAP ASY - ORANGE.....29
 CAP, MIXTURE LIMITER.....13
 CAP, OIL PUMP.....29, 31
 CAP, SPARK PLUG.....35, 37
 CARBURETOR -- WT-589.....9, 11
 CARBURETOR -- WT-589A.....13
 CATCHER, CHAIN.....19, 21, 23
 CHAIN BRAKE ASY.....19, 21, 23
 CIRCLIP, PISTON PIN.....39, 41
 CLIP.....29, 31
 CLIP, SPRING.....25
 CLIP, THROTTLE SHAFT.....13
 CLUTCH ASY.....25, 27
 CLUTCH SHOE SET.....25, 27
 COIL, IGNITION.....35, 37
 COLLAR.....19, 21, 23
 CONNECTOR, BRAKE.....21, 23
 CONTROL, THROTTLE.....33
 COVER, BOTTOM - GRAY.....29
 COVER, BOTTOM - ORANGE.....31
 COVER, BRAKE.....19
 COVER, BRAKE - GRAY.....21
 COVER, BRAKE - ORANGE.....23
 COVER, ENGINE - GRAY.....39
 COVER, ENGINE - ORANGE.....41
 COVER, FUEL PUMP.....13
 COVER, METERING DIAPHRAGM.....13
 COVER, MUFFLER.....15
 COVER, SEAL.....19, 21, 23
 COVER, TOP - GRAY.....39
 COVER, TOP - ORANGE.....41
 COVER, VENT.....29, 31
 CRANKCASE SET.....39, 41
 CRANKSHAFT ASY.....39, 41
 CUSHION.....33

D

DEFLECTOR, HEAT.....19, 21, 23
 DIAPHRAGM, FUEL PUMP.....13
 DIAPHRAGM, METERING.....13
 DIAPHRAGM/GASKET KIT.....13
 DRUM, CLUTCH.....25, 27

E

E-RING 4.....9, 11
 EYE PLATE.....15

F

FILTER, AIR.....9, 11
 FIXTURE, HARNESS.....33
 FLANGE BOLT.....15
 FLANGE NUT 5.....33
 FLANGE NUT 6.....19, 21, 23
 FLANGE NUT 8.....37
 FLYWHEEL.....35, 37

G

GASKET, EXHAUST.....15
 GASKET, FUEL PUMP.....13
 GASKET, INTAKE.....9, 11
 GASKET, METERING DIAPHRAGM.....13
 GASKET, MUFFLER.....15
 GEAR, BEVEL.....19, 21, 23
 GEAR, WORM.....29, 31
 GRIP, STARTER.....5, 7
 GROMMET.....29, 31
 GROMMET, CHOKE.....9, 11
 GROMMET, FUEL.....29, 31
 GROMMET, IDLE.....9, 11
 GROMMET, THROTTLE.....33
 GUARD, SPROCKET.....19
 GUARD, SPROCKET - GRAY.....21
 GUARD, SPROCKET - ORANGE.....23
 GUIDE BAR - 12".....17
 GUIDE BAR - 12" -- Intenz.....17
 GUIDE BAR - 14".....17
 GUIDE BAR - 14" -- Intenz.....17
 GUIDE BAR - 16".....17
 GUIDE BAR - 16" -- Intenz.....17
 GUIDE, EXHAUST.....15
 GUIDE, ROPE.....5, 7

H

HANDLE SET - REAR.....33
 HANDLE, FRONT.....33
 HEX BAR -- 10mm.....47
 HOUSING, STARTER - GRAY.....5
 HOUSING, STARTER - ORANGE.....7
 HUB, CLUTCH.....25, 27

I

INSULATOR KIT.....9, 11

K

KICK GUARD KIT.....17

L

LABEL - BAR & CHAIN.....43
 LABEL - CAUTION -- HOT.....43
 LABEL - ECHO.....43
 LABEL - MODEL -- CS-341.....43
 LABEL - PURGE PIMP.....43
 LABEL - SPARK PLUG -- BPM-8Y.....43
 LABEL - WARNING -- CHAINBRAKE.....43
 LABEL - WARNING -- KICKBACK.....43

LABEL - WARNING -- SPANISH.....43
 LABEL, ECHO.....7
 LEAD, GROUND.....35, 37
 LEAD, IGNITION.....35, 37
 LEVER, BRAKE.....19
 LEVER, BRAKE - BLACK.....23
 LEVER, BRAKE - ORANGE.....21
 LEVER, METERING.....13
 LEVER, THROTTLE.....13
 LOCKING BAR -- 5X120mm.....47
 LOCKNUT.....19, 21, 23
 LOCKOUT, THROTTLE.....33
 L-WRENCH -- 3mm.....47
 L-WRENCH -- 4mm.....47
 L-WRENCH -- 5mm.....47

M

MUFFLER.....15

N

NEEDLE - HIGH SPEED.....13
 NEEDLE - LOW SPEED.....13
 NEEDLE, ADJUST.....29, 31
 NUT 4.....19, 21, 23
 NUT 8.....35

O

OIL SEAL.....39, 41
 O-RING 25.....29, 31

P

PAD, FORM.....29, 31
 PAWL, STARTER.....5, 7
 PIN, METERING LEVER.....13
 PIN, PISTON.....39, 41
 PIPE.....29, 31
 PIPE KIT, OIL.....29, 31
 PIPE, 2X4X42mm.....29, 31
 PIPE, 3X5X70mm.....29, 31
 PIPE, 3X6X160mm.....29, 31
 PIPE, FUEL 3X5X150mm.....29, 31
 PIPE, VENT - 3X6X115mm.....29, 31
 PISTON ASY.....13
 PISTON KIT.....39, 41
 PLATE, CLUTCH.....25, 27
 PLATE, GUIDE.....5, 7, 19, 21, 23
 PLATE, PREVENT.....9, 11
 PLATE, STARTER.....5, 7
 PLUG.....9, 11, 29, 31, 39, 41
 PLUG, WELCH.....13
 PLUNGER.....29, 31
 PUMP, PRIMER.....29, 31

R

REEL, ROPE.....5, 7
 REPAIR KIT.....13
 RETAINER, CAP.....29, 31
 RING.....29, 31
 RING, HARNESS.....33
 RING, PISTON.....39, 41
 ROD, CHOKE.....9, 11
 ROD, THROTTLE.....33
 ROLLER, 4X23.8.....19, 21, 23
 ROLLER, 4X8.8.....19, 21, 23



Part Description Index (continued)

ROPE, STARTER - 3X850mm.....5, 7

S

SAWING CHAIN - 12" -- XtraGUARD.....17
 SAWING CHAIN - 14" -- XtraGUARD.....17
 SAWING CHAIN - 16" -- XtraGUARD.....17
 SCREEN, INLET.....13
 SCREEN, MUFFLER.....15
 SCREW.....33
 SCREW 3X14.....5, 7
 SCREW 4X10.....15, 19, 21, 23, 33
 SCREW 4X12.....19, 21, 23
 SCREW 4X14.....5, 7, 33
 SCREW 4X16.....5, 7, 29, 31, 33
 SCREW 4X20.....19, 23
 SCREW 4X22.....21
 SCREW 5X12.....5, 7, 29, 31
 SCREW 5X14.....33
 SCREW 5X16.....39, 41
 SCREW 5X18.....9, 11
 SCREW 5X20.....15, 19, 21, 23
 SCREW 5X22.....35, 37
 SCREW 5X25.....39, 41
 SCREW 5X32.....19, 21, 23
 SCREW 5X35.....33
 SCREW 5X45.....9, 11
 SCREW, DIAPHRAGM COVER.....13
 SCREW, IDLE ADJUST.....13
 SCREW, METERING LEVER PIN.....13
 SCREW, PUMP COVER.....13
 SCREW, THROTTLE LEVER.....13
 SCREW, THROTTLE VALVE.....13
 SCREWDRIVER -- 125mm.....47
 SCREWDRIVER -- 50mm.....47
 SEAL.....9, 11
 SHAFT, THROTTLE.....13
 SHORT BLOCK.....39, 41
 SHUTTER, CHOKE.....9, 11
 SIDE ADJUSTER KIT.....19
 SPACER.....5, 7, 19, 21, 23, 35, 37
 SPACER 8.....19, 21, 23
 SPACER, PISTON PIN.....39, 41
 SPANNER -- 10mm.....47
 SPANNER -- 17X19mm.....47
 SPANNER -- 8X10mm.....47
 SPARK PLUG -- BPM-8Y.....35, 37
 SPARK PLUG -- BPMR-8Y.....35, 37
 SPRING.....19, 21, 23, 29, 31
 SPRING PIN.....19, 21, 23, 33
 SPRING PIN 4X20.....33
 SPRING, BRAKE.....19, 21, 23
 SPRING, CLUTCH.....25, 27
 SPRING, IDLE ADJUST.....13
 SPRING, METERING LEVER.....13
 SPRING, RETURN.....5, 7
 SPRING, REWIND.....5, 7
 SPRING, START VALVE.....13
 SPRING, THROTTLE RETURN.....13, 33
 STARTER ASY.....5, 7
 STOPPER, BRAKE.....19, 21, 23
 STRAINER, FUEL.....29, 31
 STRAINER, OIL.....29, 31
 STUD, GUIDE BAR.....19, 21, 23
 SUPPORTER.....33
 SWITCH, IGNITION.....35, 37

T

TENSIONER, CHAIN.....19, 21, 23
 TERMINAL, SPARK PLUG CAP.....35, 37
 THUMB BOLT.....9, 11
 TUNE-UP KIT.....45

V

VALVE, CHECK.....29, 31
 VALVE, INLET NEEDLE.....13
 VALVE, THROTTLE.....13
 VENT ASY.....29, 31

W

WASHER.....5, 7, 9, 11, 29, 31
 WASHER 5.....5, 7
 WASHER 8.....35
 WASHER, CLUTCH.....25, 27
 WEIGHT, BRAKE.....19, 21, 23
 WOODRUFF KEY.....35, 37
 WRENCH/SCREWDRIVER -- 10X19mm.....47
 WRENCH/SCREWDRIVER -- 13X19mm.....47
 WRENCH/SCREWDRIVER -- 17X19mm.....47

NOTES



ECHO, INCORPORATED
400 Oakwood Road
Lake Zurich, IL 60047 USA

WWW.ECHO-USA.COM

ECHO Parts