



AVAILABLE ATTACHMENTS & ACCESSORIES

Accessories

103942147	CS Carry Bag
89850308032	Bar & Chain Cover - 17"
99988800207	CS Removable Nose Case
99988800308	CS Lanyard Strap w_Ring
99988801205	CS Fixed Nose Case

Guide Bars

12A0CD3745	Guide Bar - 12" (.050" Ga)
12A0ZD3745	Guide Bar - 12" (.050" Ga) -- Intenz
14A0CD3752	Guide Bar - 14" (.050" Ga)
14A0ZD3752	Guide Bar - 14" (.050" Ga) -- Intenz
16A0CD3757	Guide Bar - 16" (.050" Ga)
16A0ZD3757	Guide Bar - 16" (.050" Ga) -- Intenz

Sawing Chains

91VG45G	Sawing Chain - 12" (.050" Ga) -- XtraGUARD
91VG52G	Sawing Chain - 14" (.050" Ga) -- XtraGUARD
91VG57G	Sawing Chain - 16" (.050" Ga) -- XtraGUARD

PARTS CATALOG

CS-341 Chain Saw

33.4cc

SERIAL NUMBERS

S/N: 04001001 - 04999999

ECHO, INCORPORATED

400 Oakwood Road Lake Zurich, Illinois 60047 USA

WWW.ECHO-USA.COM

99922203289_04

REVISED 10/18/07



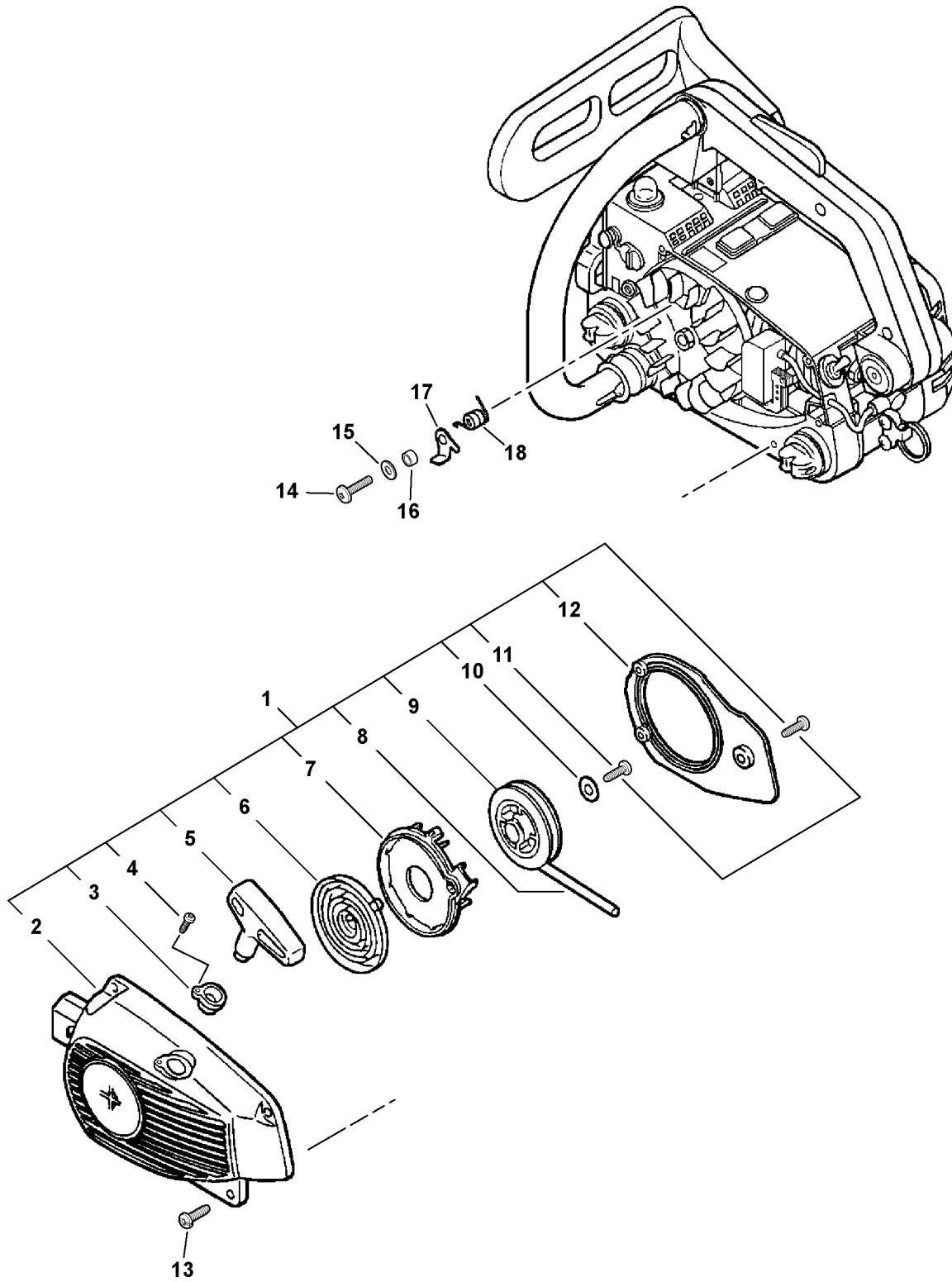
Table of Contents

Click Any Diagram Description Below To View That Diagram.

CS-341 S/N: 04001001 - 04999999

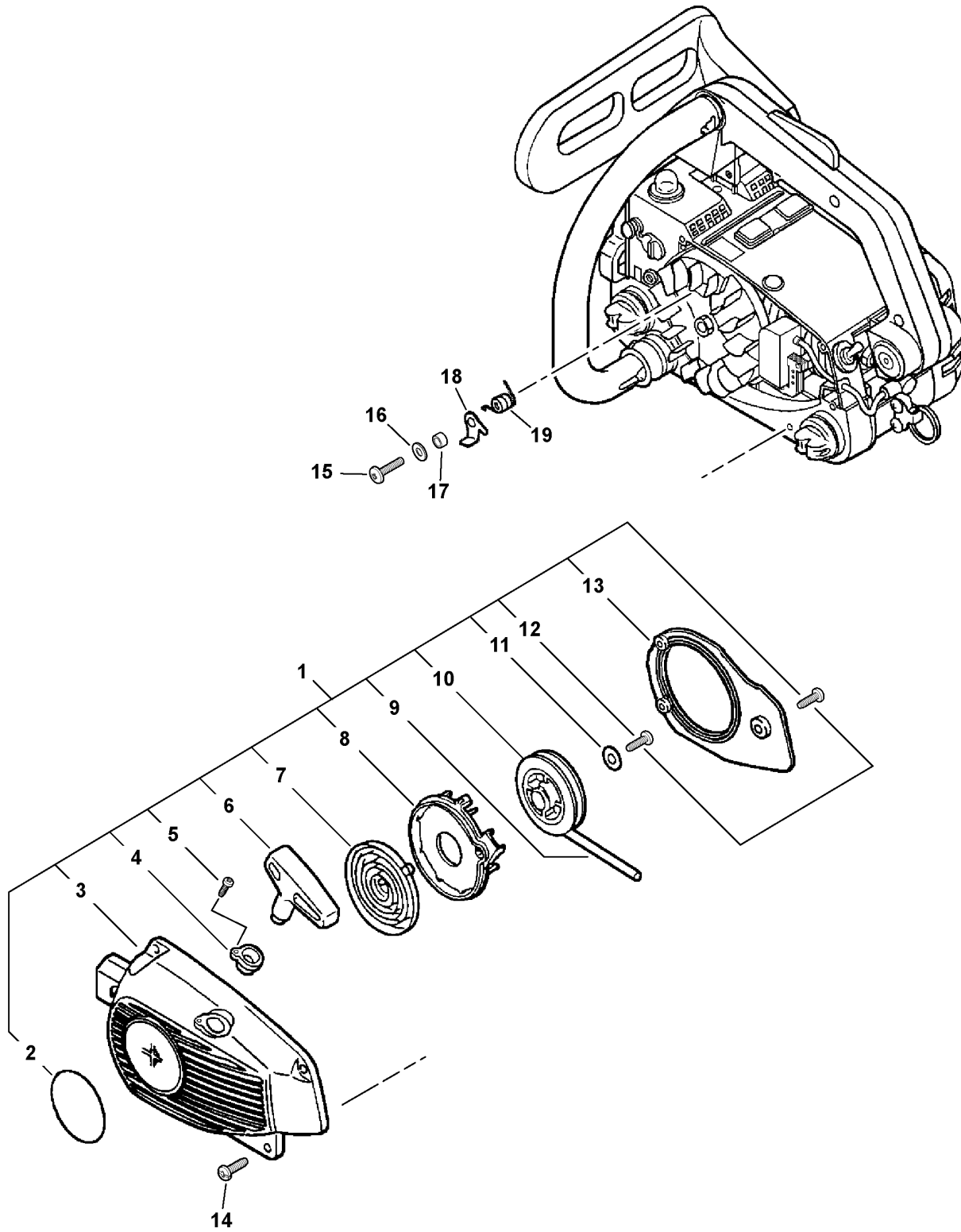
Starter S/N: 04001001 - 04002000	4
Starter S/N: 04002001 - 04999999	6
Intake	8
Carburetor -- WT-589A	10
Exhaust	12
Guide Bar, Sawing Chain	14
Chain Brake S/N: 04001001 - 04002000	16
Chain Brake S/N: 04002001 - 04999999	18
Clutch	20
Fuel System, Auto Oiler S/N: 04001001 - 04002000	22
Fuel System, Auto Oiler S/N: 04002001 - 04999999	24
Handles	26
Ignition	28
Engine, Short Block -- SB1069, Engine Cover S/N: 04001001 - 04002000	30
Engine, Short Block -- SB1069, Engine Cover S/N: 04002001 - 04999999	32
Labels	34
RePower Tune-Up Kit	36
Tools	38
Part Number Index	40
Part Description Index	41

This Page Intentionally Left Blank



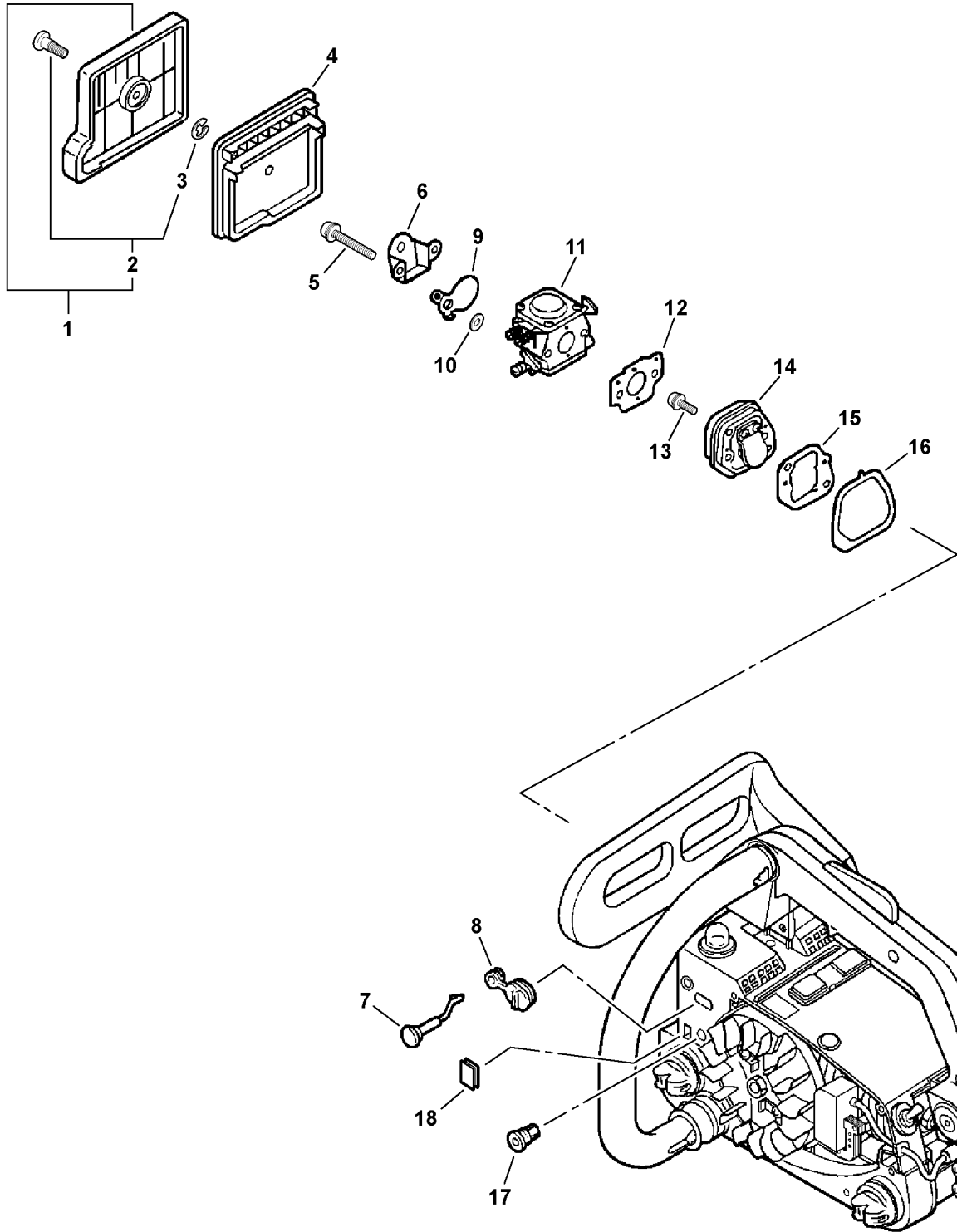
015 0002 GRY

ITEM	PART NUMBER	QTY	DESCRIPTION	REMARKS
1	17720039631	1	STARTER ASY	INCLUDES ITEMS 2-12
2	17723239630	1	HOUSING, STARTER - GRAY	
3	17722739131	1	GUIDE, ROPE	
4	90029603014	1	SCREW 3X14	
5	17722835430	1	GRIP, STARTER	
6	17722039630	1	SPRING, REWIND	
7	17722139630	1	PLATE, STARTER	
8	17722606530	1	ROPE, STARTER - 3X850mm	REPOWER BULK OPTION: 99944444000
9	A506000090	1	REEL, ROPE	
10	17721404630	1	WASHER	
11	90025304014	4	SCREW 4X14	
12	10153439530	1	PLATE, GUIDE	
13	90025604016	4	SCREW 4X16	
14	90021605012	2	SCREW 5X12	
15	90060300005	2	WASHER 5	
16	17724704630	2	SPACER	
17	17721835631	2	PAWL, STARTER	
18	17723435430	2	SPRING, RETURN	



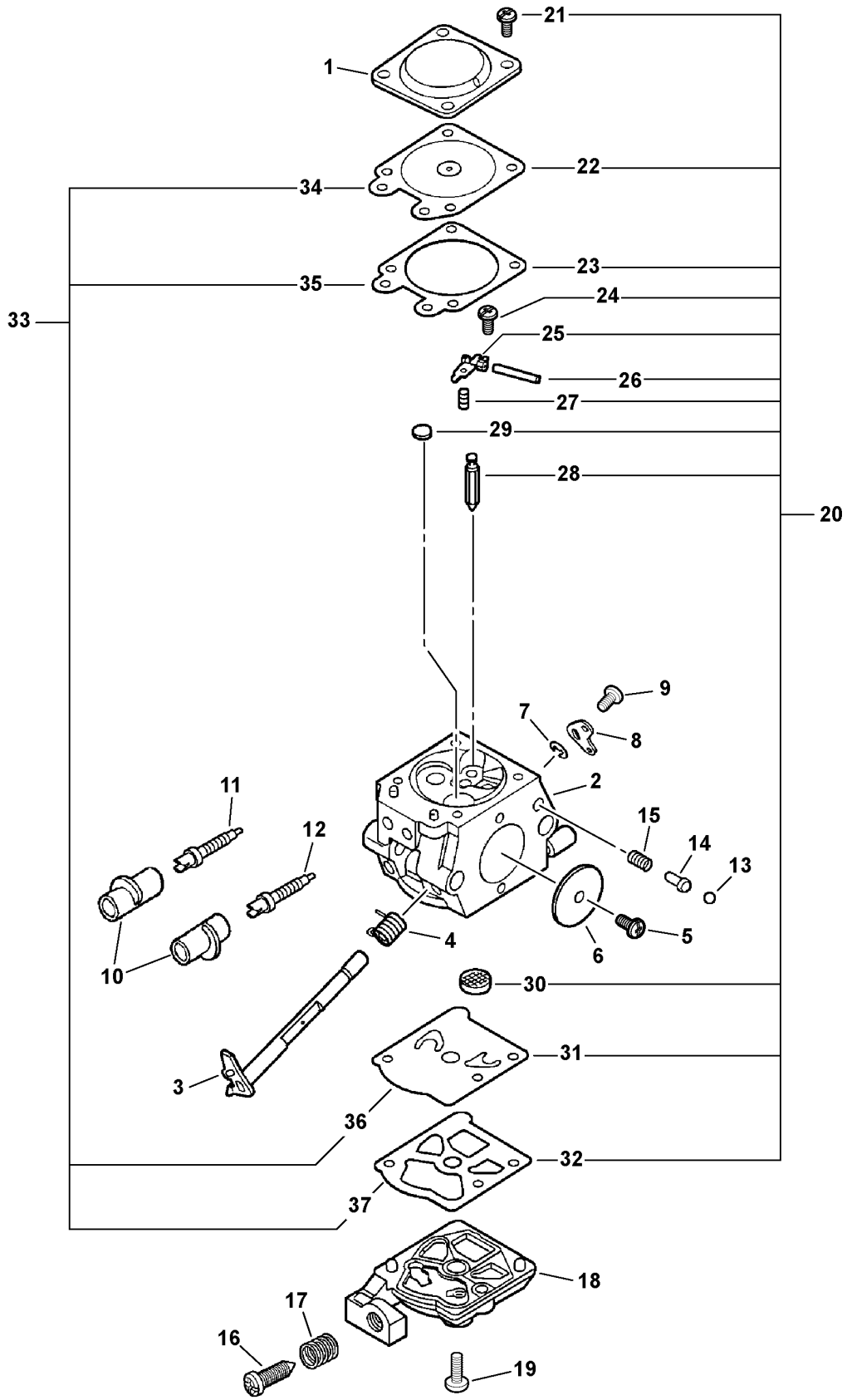
015 0002 ORG

ITEM	PART NUMBER	QTY	DESCRIPTION	REMARKS
1	P021011560	1	STARTER ASY	INCLUDES ITEMS 2-13
2	89011849330	1	LABEL, ECHO	
3	A500000460	1	HOUSING, STARTER - ORANGE	
4	17722739131	1	GUIDE, ROPE	
5	90029603014	1	SCREW 3X14	
6	17722835430	1	GRIP, STARTER	
7	17722039630	1	SPRING, REWIND	
8	17722139630	1	PLATE, STARTER	
9	17722606530	1	ROPE, STARTER - 3X850mm	REPOWER BULK OPTION: 99944444000
10	A506000090	1	REEL, ROPE	
11	17721404630	1	WASHER	
12	90025304014	4	SCREW 4X14	
13	10153439530	1	PLATE, GUIDE	
14	90025604016	4	SCREW 4X16	
15	90021605012	2	SCREW 5X12	
16	90060300005	2	WASHER 5	
17	17724704630	2	SPACER	
18	17721835631	2	PAWL, STARTER	
19	17723435430	2	SPRING, RETURN	



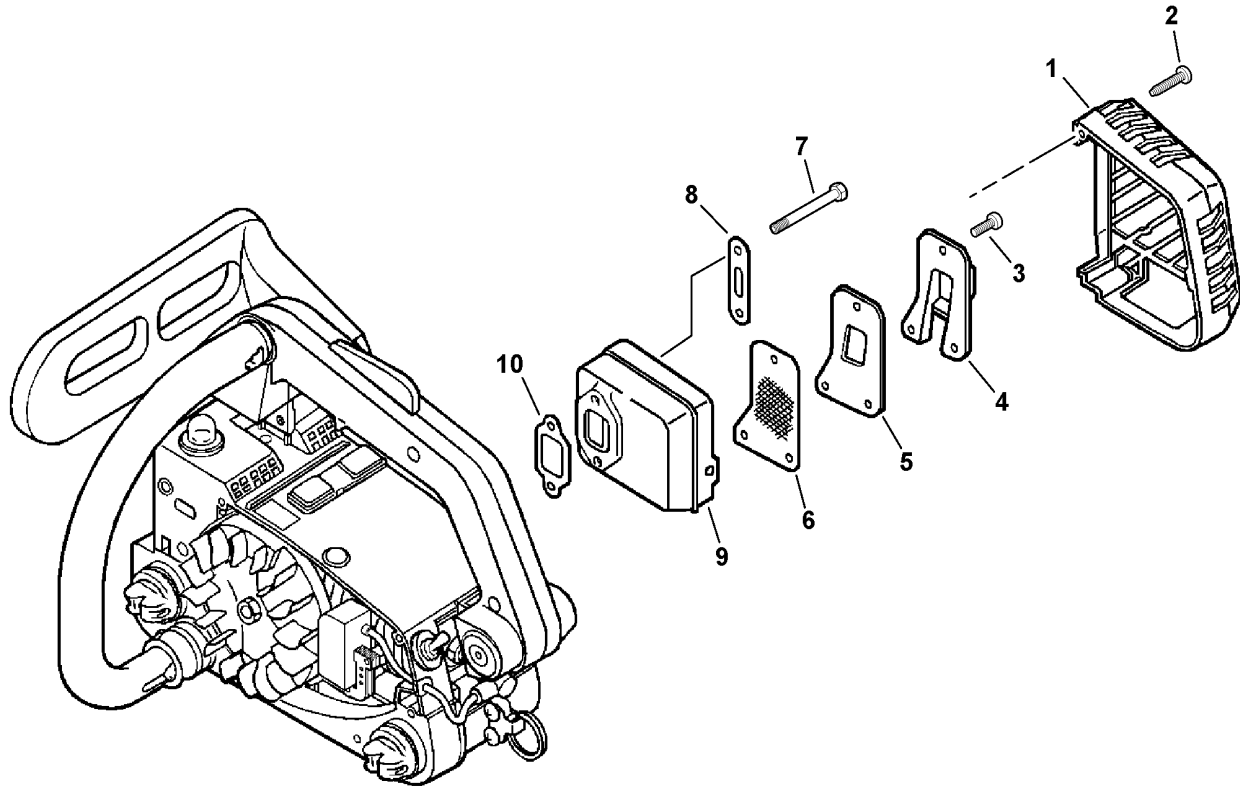
010 0003 00B

ITEM	PART NUMBER	QTY	DESCRIPTION	REMARKS
1	13030239136	1	AIR CLEANER COVER ASY	INCLUDES ITEM 2-3
2	13040613933	1	THUMB BOLT	INCLUDES ITEM 3
3	90070000004	1	E-RING 4	
4	13031039132	1	FILTER, AIR	
5	90023805045	2	SCREW 5X45	
6	12901139130	1	PLATE, PREVENT	
7	17851039230	1	ROD, CHOKE	
8	17881039630	1	GROMMET, CHOKE	
9	17851539130	1	SHUTTER, CHOKE	
10	17851603930	2	WASHER	
11	12300139133	1	CARBURETOR -- WT-589	
12	V103000021	1	GASKET, INTAKE	
13	90025005018	2	SCREW 5X18	
14	P021004590	1	INSULATOR KIT	
15	V103000120	1	GASKET, INTAKE	
16	13001239130	1	SEAL	
17	12902339130	1	GROMMET, IDLE	
18	10403439130	1	PLUG	



WT589A 0000 231

ITEM	PART NUMBER	QTY	DESCRIPTION	REMARKS
	A021000231	1	CARBURETOR -- WT-589A	
1	12314203930	1	COVER, METERING DIAPHRAGM	
2	-----	1	BODY, CARBURETOR	NOT AVAILABLE SEPARATELY
3	12311739530	1	SHAFT, THROTTLE	
4	12311347530	1	SPRING, THROTTLE RETURN	
5	12311438830	1	SCREW, THROTTLE VALVE	
6	12311605230	1	VALVE, THROTTLE	
7	12312715030	1	CLIP, THROTTLE SHAFT	
8	12315039230	1	LEVER, THROTTLE	
9	12311438830	1	SCREW, THROTTLE LEVER	
10	P003000010	2	CAP, MIXTURE LIMITER	
11	12312043131	1	NEEDLE - HIGH SPEED	
12	12311839231	1	NEEDLE - LOW SPEED	
13	12313609660	1	BALL	
14	12318509660	1	PISTON ASY	
15	12318609660	1	SPRING, START VALVE	
16	12313419730	1	SCREW, IDLE ADJUST	
17	12313311130	1	SPRING, IDLE ADJUST	
18	12312409320	1	COVER, FUEL PUMP	
19	12311003930	1	SCREW, PUMP COVER	
20	12310037330	1	REPAIR KIT	INCLUDES ITEMS 21-32
21	12313002960	4	SCREW, DIAPHRAGM COVER	
22	-----	1	DIAPHRAGM, METERING	
23	-----	1	GASKET, METERING DIAPHRAGM	
24	-----	1	SCREW, METERING LEVER PIN	
25	-----	1	LEVER, METERING	
26	-----	1	PIN, METERING LEVER	
27	-----	1	SPRING, METERING LEVER	
28	-----	1	VALVE, INLET NEEDLE	
29	-----	1	PLUG, WELCH	
30	-----	1	SCREEN, INLET	
31	-----	1	DIAPHRAGM, FUEL PUMP	
32	-----	1	GASKET, FUEL PUMP	
33	12310105960	1	DIAPHRAGM/GASKET KIT	INCLUDES ITEMS 34-37
34	-----	1	DIAPHRAGM, METERING	
35	-----	1	GASKET, METERING DIAPHRAGM	
36	-----	1	DIAPHRAGM, FUEL PUMP	
37	-----	1	GASKET, FUEL PUMP	

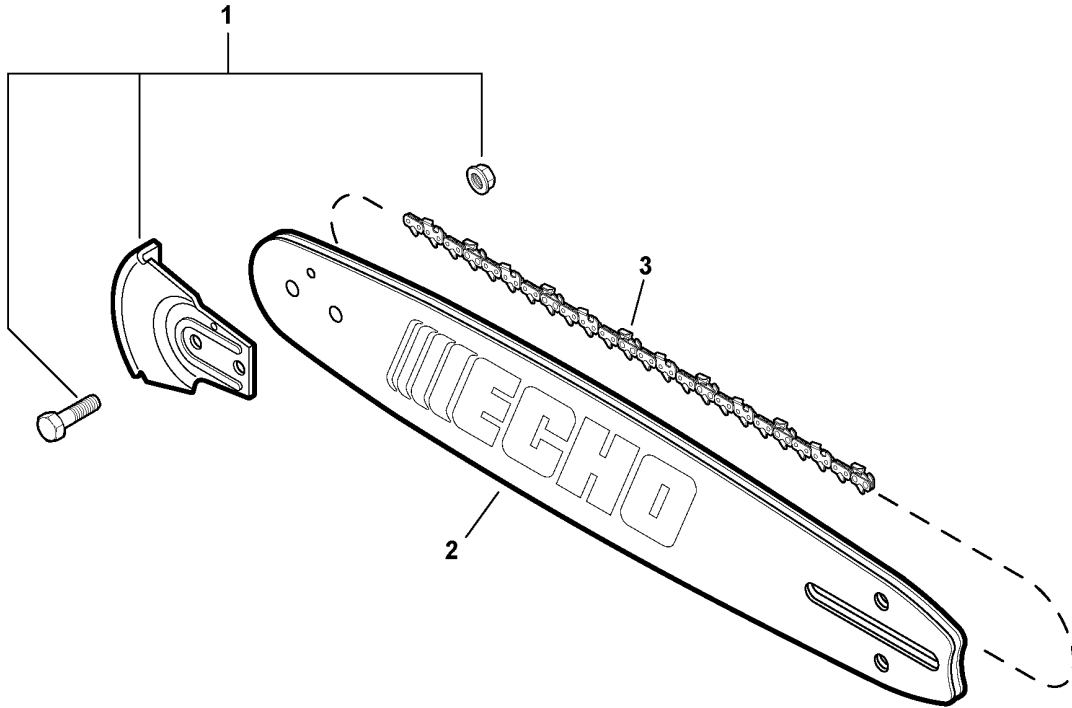


011 0002 000

CS-341 Chain Saw

Exhaust

ITEM	PART NUMBER	QTY	DESCRIPTION	REMARKS
1	A320000033	1	COVER, MUFFLER	
2	90025305020	2	SCREW 5X20	
3	9136704010	3	SCREW 4X10	
4	A303000010	1	GUIDE, EXHAUST	
5	V104000140	1	GASKET, EXHAUST	
6	14586213931	1	SCREEN, MUFFLER	
7	9110705045	2	FLANGE BOLT	
8	14564213930	1	EYE PLATE	
9	A300000120	1	MUFFLER	
10	14551013931	1	GASKET, MUFFLER	

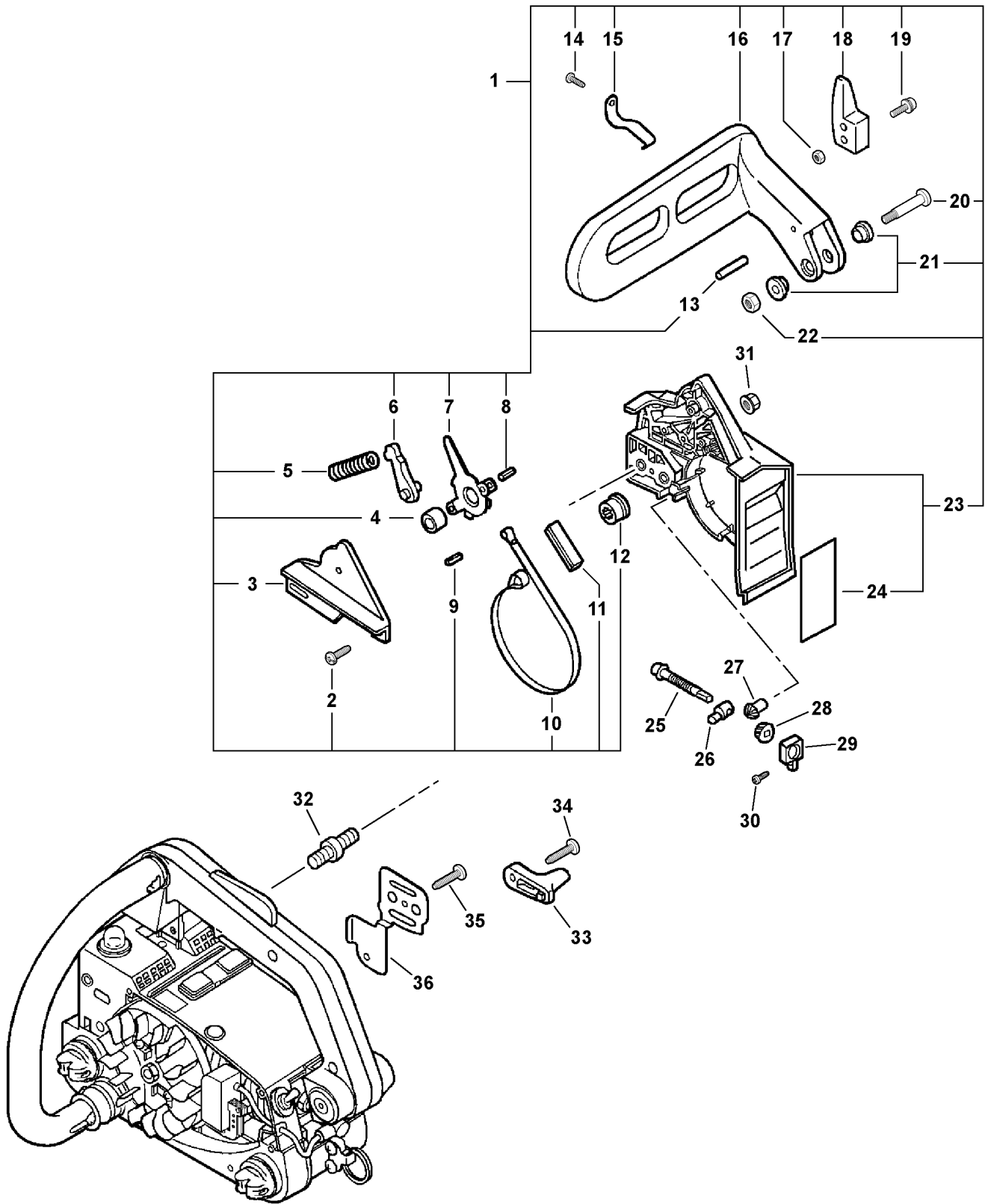


016 0003 000

ITEM	PART NUMBER	QTY	DESCRIPTION	REMARKS
1	2894901	1	KICK GUARD KIT	
2	12A0CD3745	1	GUIDE BAR - 12"	GAUGE: .050"
2	14A0CD3752	1	GUIDE BAR - 14"	GAUGE: .050"
2	16A0CD3757	1	GUIDE BAR - 16"	GAUGE: .050"
2	12A0ZD3745	1	GUIDE BAR - 12" -- Intenz	GAUGE: .050"
2	14A0ZD3752	1	GUIDE BAR - 14" -- Intenz	GAUGE: .050"
2	16A0ZD3757	1	GUIDE BAR - 16" -- Intenz	GAUGE: .050"
3	91VG52G	1	SAWING CHAIN - 14" -- XtraGUARD ¹	GAUGE: .050 / PITCH: .325"
3	91VG45G	1	SAWING CHAIN - 12" -- XtraGUARD ¹	GAUGE: .050 / PITCH: .325"
3	91VG57G	1	SAWING CHAIN - 16" -- XtraGUARD ¹	GAUGE: .050" / PITCH: .375"

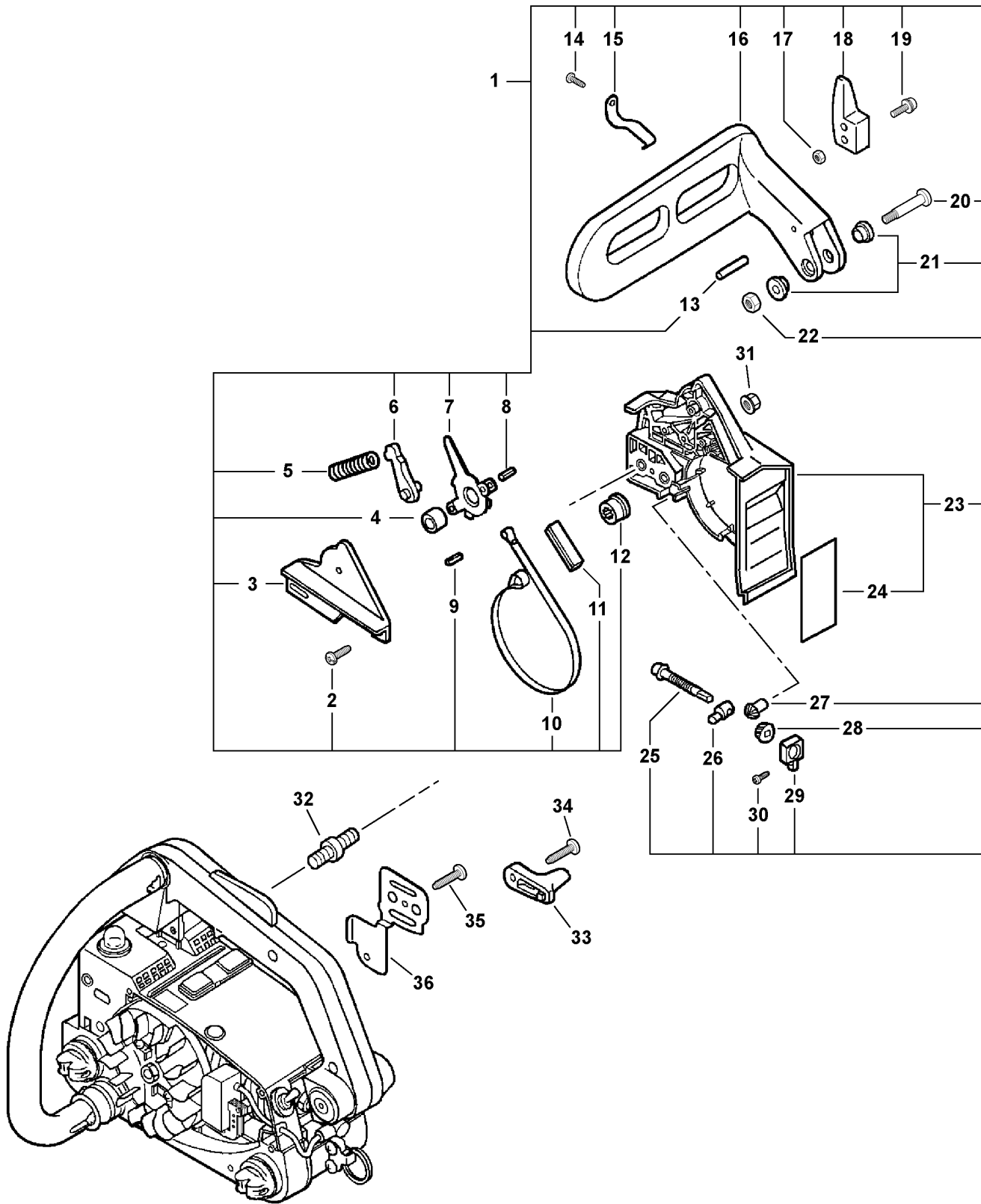
Footnotes

1: Low Vibration



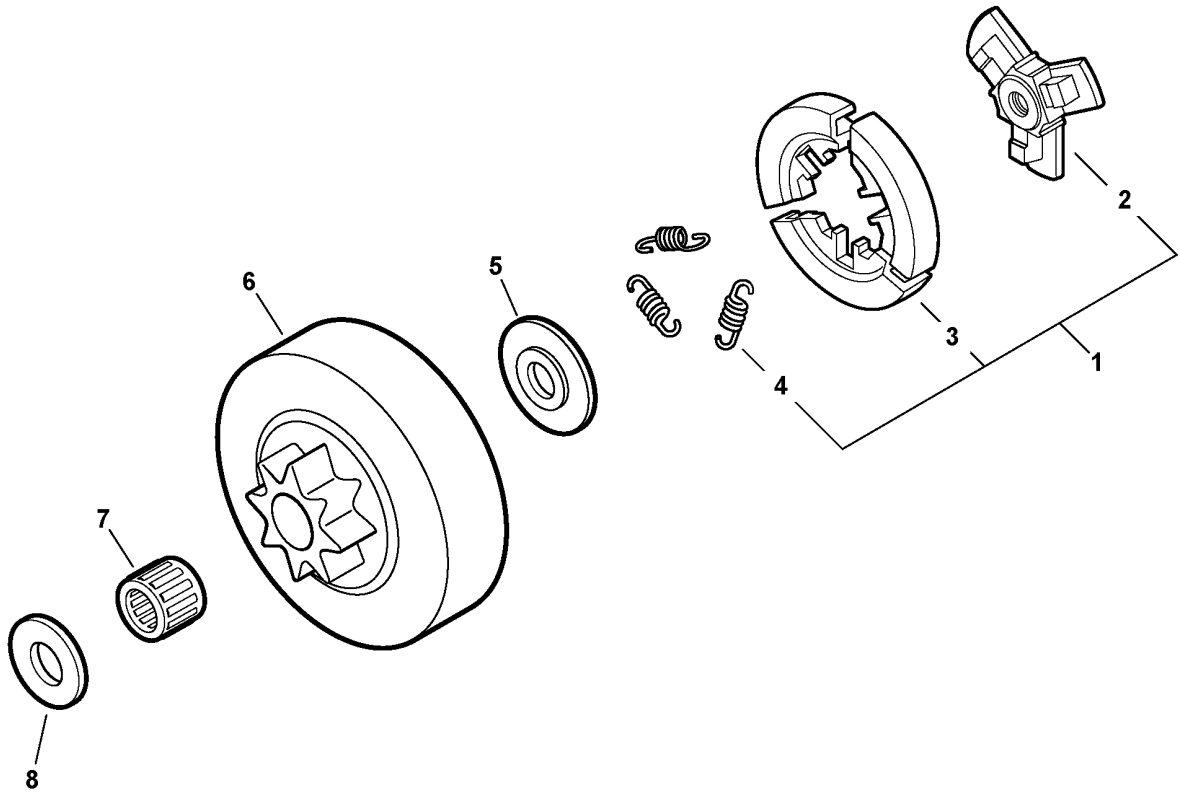
013 0005 GRY

ITEM	PART NUMBER	QTY	DESCRIPTION	REMARKS
1	C032000051	1	CHAIN BRAKE ASY	INCLUDES ITEM 2-24
2	90025304012	3	SCREW 4X12	
3	43331039530	1	COVER, BRAKE - GRAY	
4	43311635430	1	SPACER 8	
5	43312235430	1	SPRING, BRAKE	
6	43320935430	1	STOPPER, BRAKE	
7	43320835431	1	CONNECTOR, BRAKE	
8	90033040088	1	ROLLER, 4X8.8	
9	90034225012	1	SPRING PIN	
10	43312339530	1	BAND, BRAKE	
11	43331232630	1	COVER, SEAL	
12	43314235430	1	ADJUSTER, BRAKE	
13	90033040238	1	ROLLER, 4X23.8	
14	90025304012	1	SCREW 4X12	
15	43311439130	1	SPRING	
16	43314739131	1	LEVER, BRAKE - ORANGE	
17	90050000004	2	NUT 4	
18	43317139630	1	WEIGHT, BRAKE	
19	90023804022	2	SCREW 4X22	
20	9131805032	1	SCREW 5X32	
21	43316739130	2	SPACER	
22	90056000005	1	LOCKNUT	
23	C300000041	1	GUARD, SPROCKET - GRAY	INCLUDES ITEM 24
24	V341000000	1	DEFLECTOR, HEAT	
25	V203000041	1	BOLT 5	
26	C309000030	1	TENSIONER, CHAIN	
27	V651000001	1	GEAR, BEVEL	
28	V651000011	1	GEAR, BEVEL	
29	V355000140	1	COLLAR	
30	90025304012	1	SCREW 4X12	
31	43301903933	2	FLANGE NUT 6	
32	V224000030	2	STUD, GUIDE BAR	
33	43302635430	1	CATCHER, CHAIN	
34	90025305020	1	SCREW 5X20	
35	90025304010	1	SCREW 4X10	
36	43301239131	1	PLATE, GUIDE	



013 0005 ORG

ITEM	PART NUMBER	QTY	DESCRIPTION	REMARKS
1	P021011570	1	CHAIN BRAKE ASY	INCLUDES ITEM 2-30
2	90025304012	3	SCREW 4X12	
3	C345000230	1	COVER, BRAKE - ORANGE	
4	43311635430	1	SPACER 8	
5	43312235430	1	SPRING, BRAKE	
6	43320935430	1	STOPPER, BRAKE	
7	43320835431	1	CONNECTOR, BRAKE	
8	90033040088	1	ROLLER, 4X8.8	
9	90034225012	1	SPRING PIN	
10	43312339530	1	BAND, BRAKE	
11	43331232630	1	COVER, SEAL	
12	43314235430	1	ADJUSTER, BRAKE	
13	90033040238	1	ROLLER, 4X23.8	
14	90025304010	1	SCREW 4X10	
15	43311439130	1	SPRING	
16	C320000120	1	LEVER, BRAKE - BLACK	
17	90050000004	2	NUT 4	
18	43317139630	1	WEIGHT, BRAKE	
19	90023804020	2	SCREW 4X20	
20	9131805032	1	SCREW 5X32	
21	43316739130	2	SPACER	
22	90056200005	1	LOCKNUT	
23	C300000340	1	GUARD, SPROCKET - ORANGE	INCLUDES ITEM 24
24	V341000000	1	DEFLECTOR, HEAT	
25	V203000041	1	BOLT 5	
26	C309000030	1	TENSIONER, CHAIN	
27	V651000001	1	GEAR, BEVEL	
28	V651000011	1	GEAR, BEVEL	
29	V355000140	1	COLLAR	
30	90025304012	1	SCREW 4X12	
31	43301903933	2	FLANGE NUT 6	
32	V224000030	2	STUD, GUIDE BAR	
33	43302635430	1	CATCHER, CHAIN	
34	90025305020	1	SCREW 5X20	
35	90025304010	1	SCREW 4X10	
36	43301239131	1	PLATE, GUIDE	

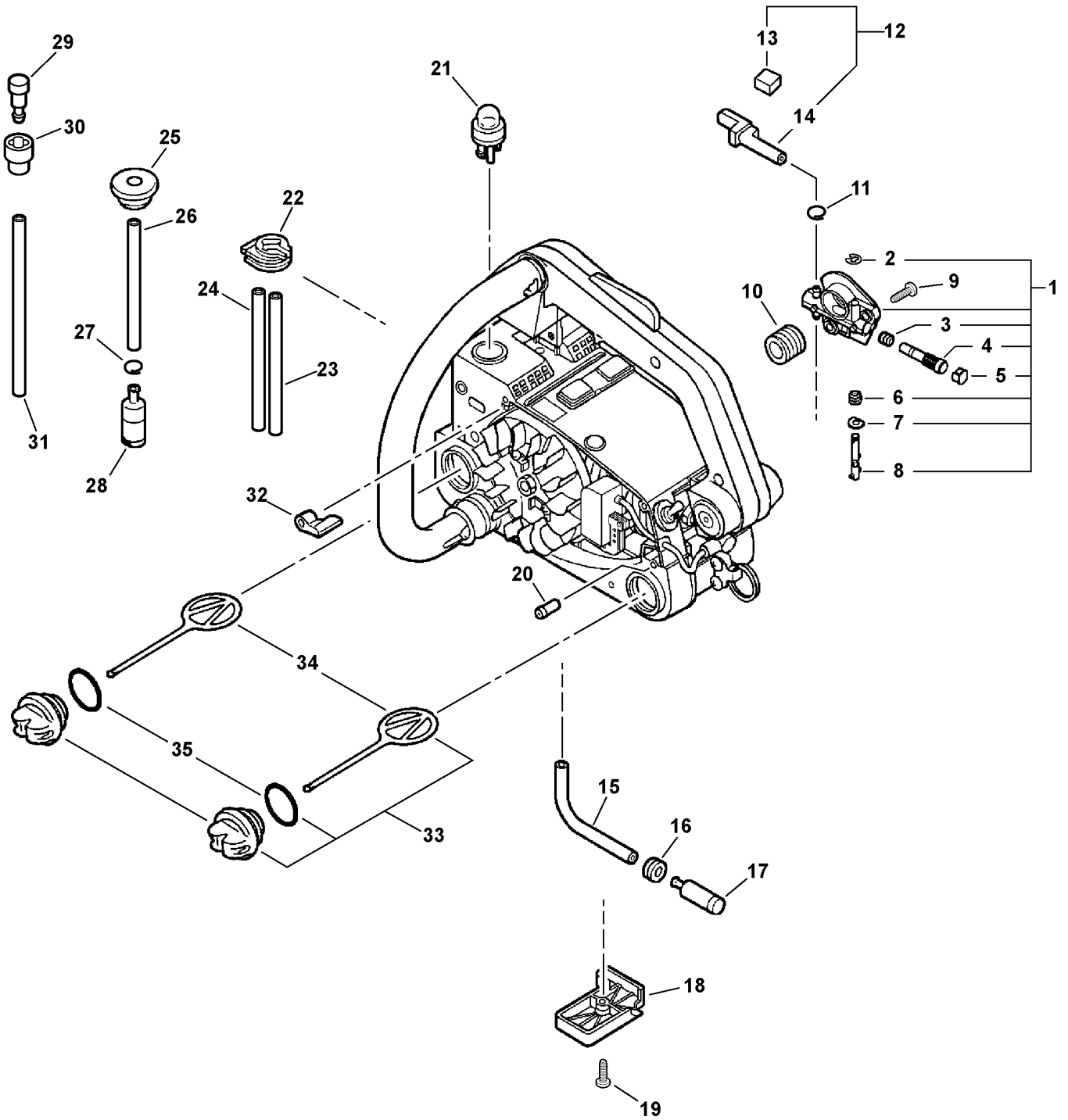


014 0002 000

CS-341 Chain Saw

Clutch

ITEM	PART NUMBER	QTY	DESCRIPTION	REMARKS
1	A056000070	1	CLUTCH ASY	INCLUDES ITEMS 2-4
2	A552000020	1	HUB, CLUTCH	
3	P021005810	1	CLUTCH SHOE SET	
4	V451000470	3	SPRING, CLUTCH	
5	A551000010	1	PLATE, CLUTCH	
6	17500539132	1	DRUM, CLUTCH	
7	17501235630	1	BEARING, NEEDLE	
8	17501439131	1	WASHER, CLUTCH	



017 0002 GRY

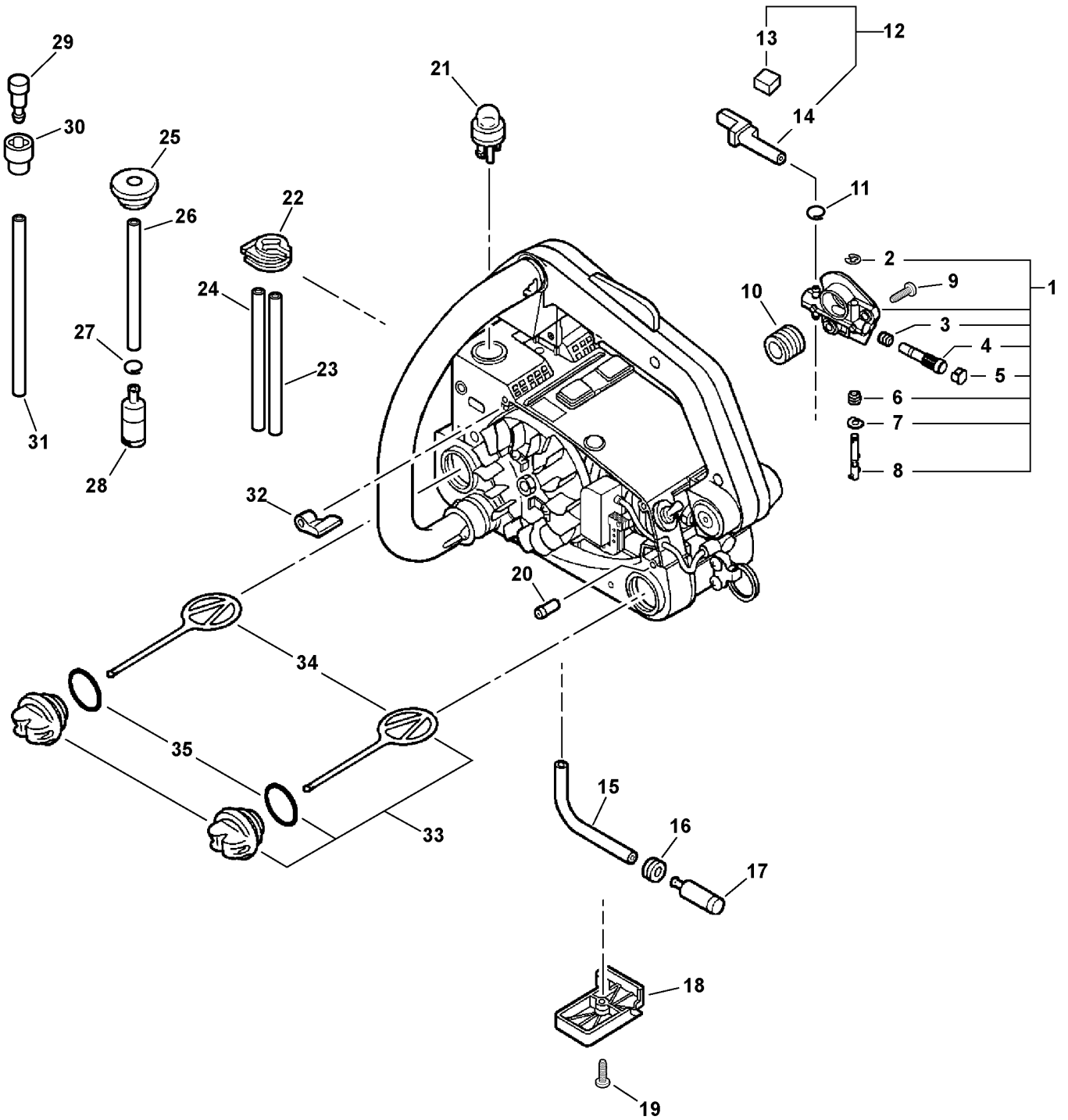
ITEM	PART NUMBER	QTY	DESCRIPTION	REMARKS
1	43700239130	1	AUTO-OILER ASY	INCLUDES ITEMS 2-8
2	12312715030	1	RING	
3	43701938330	1	SPRING	
4	43702437330	1	PLUNGER	
5	43706237330	1	CAP, OIL PUMP	
6	43701537330	1	SPRING	
7	43702937330	1	WASHER	
8	43701639130	1	NEEDLE, ADJUST	
9	90023505012	2	SCREW 5X12	
10	43706338330	1	GEAR, WORM	
11	13201326630	1	CLIP	
12	43720139131	1	PIPE KIT, OIL	INCLUDES ITEMS 13-14
13	43724439130	1	PAD, FORM	
14	43721139133	1	PIPE	
15	V471000110	1	PIPE, VENT - 3X6X115mm ¹	
16	V137000010	1	GROMMET	
17	43620502832	1	STRAINER, OIL	
18	10404439230	1	COVER, BOTTOM - GRAY	
19	90025604016	1	SCREW 4X16	
20	43611413930	1	VALVE, CHECK	
21	12318139130	1	PUMP, PRIMER	
22	13275839131	1	BRACKET, PUMP	
23	V471001200	1	PIPE, 3X5X70mm ²	
24	13271639130	1	PIPE, 2X4X42mm ³	
25	13211539130	1	GROMMET, FUEL	
26	13201239130	1	PIPE, 3X6X160mm ¹	
27	13201326630	1	CLIP	
28	13120514930	1	STRAINER, FUEL	
29	A356000030	1	VENT ASY	
30	13132839130	1	COVER, VENT	
31	13201004920	1	PIPE, FUEL 3X5X150mm ²	
32	13033639530	1	PLUG	
33	43600139231	2	TANK CAP ASY - ORANGE	INCLUDES ITEMS 35-36
34	A365000050	2	RETAINER, CAP	
35	90072100025	2	O-RING 25	

Footnotes

1: BULK OPTION: 90015

2: BULK OPTION: 90014

3: BULK OPTION: 90018



017 0002 ORG

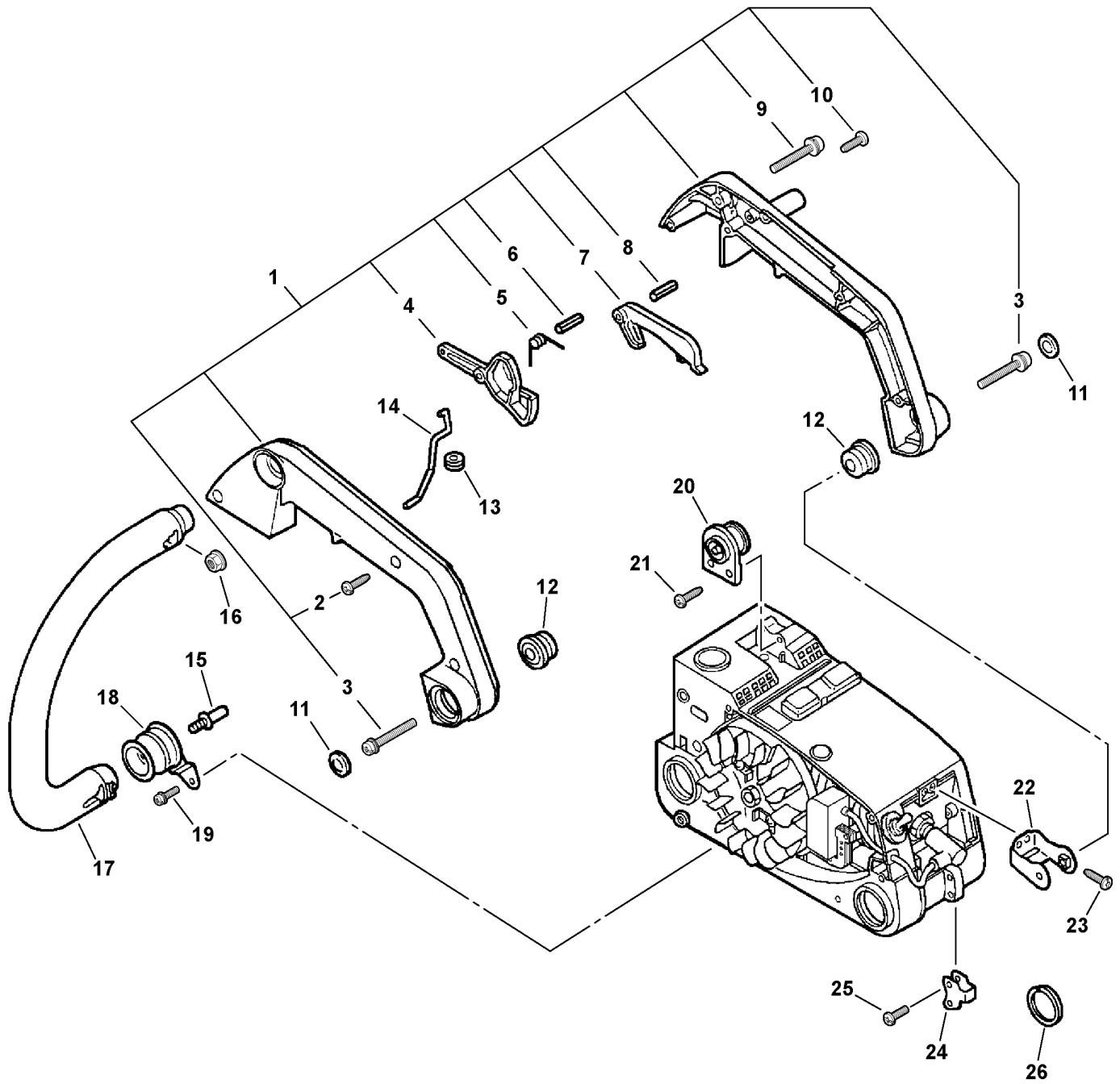
ITEM	PART NUMBER	QTY	DESCRIPTION	REMARKS
1	43700239130	1	AUTO-OILER ASY	INCLUDES ITEMS 2-8
2	12312715030	1	RING	
3	43701938330	1	SPRING	
4	43702437330	1	PLUNGER	
5	43706237330	1	CAP, OIL PUMP	
6	43701537330	1	SPRING	
7	43702937330	1	WASHER	
8	43701639130	1	NEEDLE, ADJUST	
9	90023505012	2	SCREW 5X12	
10	43706338330	1	GEAR, WORM	
11	13201326630	1	CLIP	
12	43720139131	1	PIPE KIT, OIL	INCLUDES ITEMS 13-14
13	43724439130	1	PAD, FORM	
14	43721139133	1	PIPE	
15	V471000110	1	PIPE, VENT - 3X6X115mm ¹	
16	V137000010	1	GROMMET	
17	43620502832	1	STRAINER, OIL	
18	10404439130	1	COVER, BOTTOM - ORANGE	
19	90025604016	1	SCREW 4X16	
20	43611413930	1	VALVE, CHECK	
21	12318139130	1	PUMP, PRIMER	
22	13275839131	1	BRACKET, PUMP	
23	V471001200	1	PIPE, 3X5X70mm ²	
24	13271639130	1	PIPE, 2X4X42mm ³	
25	13211539130	1	GROMMET, FUEL	
26	13201239130	1	PIPE, 3X6X160mm ¹	
27	13201326630	1	CLIP	
28	13120514930	1	STRAINER, FUEL	
29	A356000030	1	VENT ASY	
30	13132839130	1	COVER, VENT	
31	13201004920	1	PIPE, FUEL 3X5X150mm ²	
32	13033639530	1	PLUG	
33	P021011590	2	CAP ASY - BLACK	INCLUDES ITEMS 35-36
34	A365000050	2	RETAINER, CAP	
35	90072100025	2	O-RING 25	

Footnotes

1: BULK OPTION: 90015

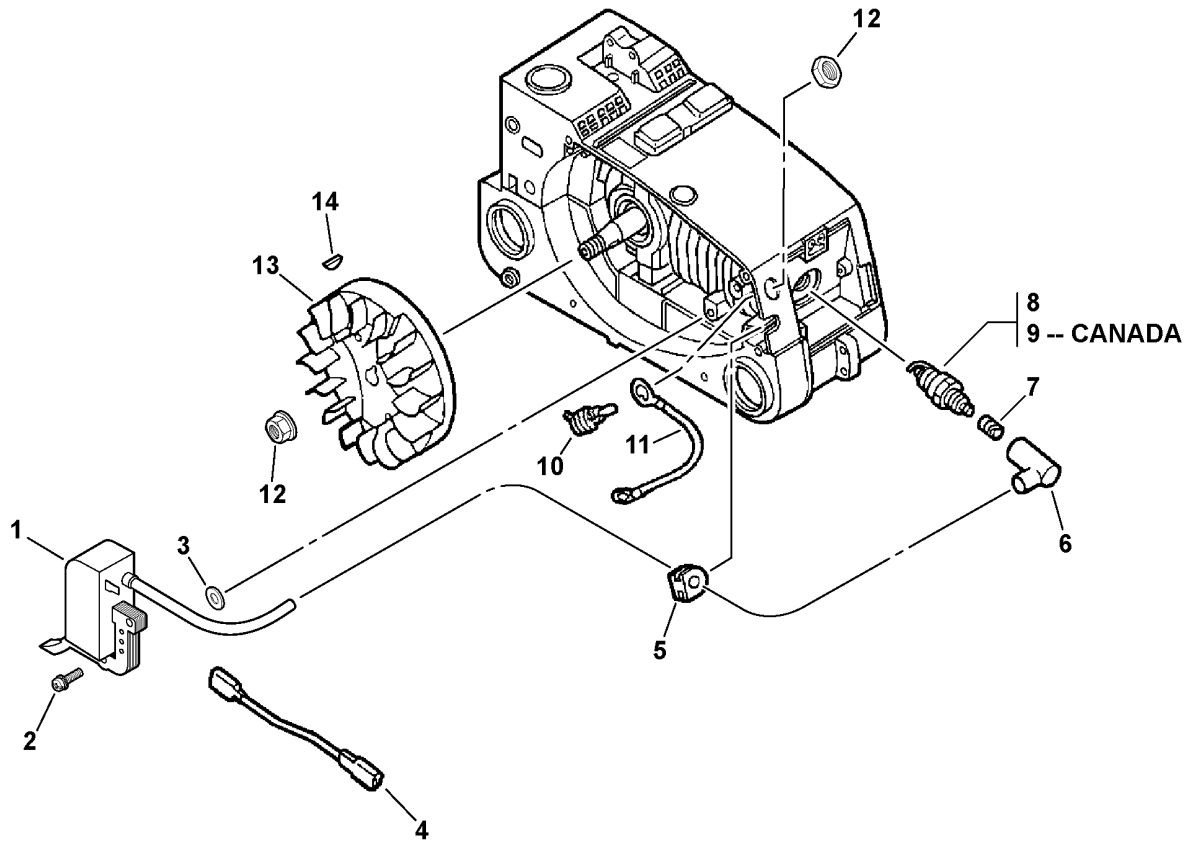
2: BULK OPTION: 90014

3: BULK OPTION: 90018



012 0004 000

ITEM	PART NUMBER	QTY	DESCRIPTION	REMARKS
1	35110039131	1	HANDLE SET - REAR	INCLUDES ITEMS 2-10
2	90025604016	3	SCREW 4X16	
3	90023804010	2	SCREW 4X10	
4	17801039131	1	CONTROL, THROTTLE	
5	17804339131	1	SPRING, THROTTLE RETURN	
6	90034540025	1	SPRING PIN	
7	17809039130	1	LOCKOUT, THROTTLE	
8	90034540020	1	SPRING PIN 4X20	
9	90023805035	1	SCREW 5X35	
10	90023805014	1	SCREW 5X14	
11	10091815130	2	CAP	
12	10092139130	2	CUSHION	
13	17821039130	1	GROMMET, THROTTLE	
14	17801139131	1	ROD, THROTTLE	
15	10091533930	1	SCREW	
16	90051600005	1	FLANGE NUT 5	
17	35161039130	1	HANDLE, FRONT	
18	10091035630	1	CUSHION	
19	90025604016	1	SCREW 4X16	
20	10090739131	1	CUSHION	
21	90025304014	2	SCREW 4X14	
22	35112339131	1	SUPPORTER	
23	90025304014	2	SCREW 4X14	
24	30031439130	1	FIXTURE, HARNESS	
25	90023804016	2	SCREW 4X16	
26	30101652730	1	RING, HARNESS	

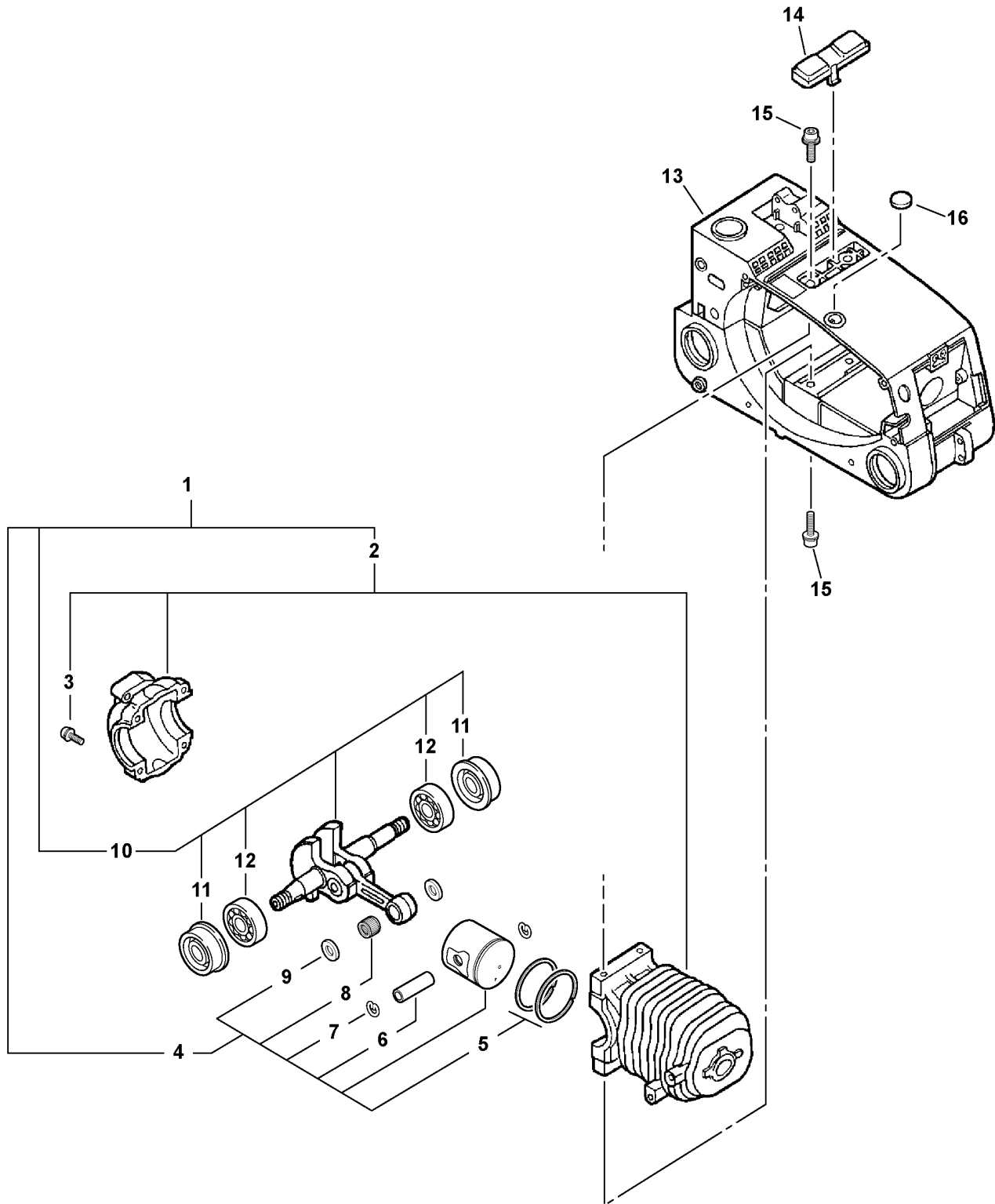


018 0003 000

ITEM	PART NUMBER	QTY	DESCRIPTION	REMARKS
1	A411000150	1	COIL, IGNITION	
2	90023805022	2	SCREW 5X22	
3	15011716430	2	SPACER	
4	16201039430	1	LEAD, IGNITION	
5	15611004920	1	BUSHING	
6	15901201620	1	CAP, SPARK PLUG	
7	15901103432	1	TERMINAL, SPARK PLUG CAP	
8	15901019830	1	SPARK PLUG -- BPM-8Y	
9	A425000000	1	SPARK PLUG -- BPMR-8Y ¹	
10	16340019830	1	SWITCH, IGNITION	
11	16201039131	1	LEAD, GROUND	
12	90051500008	1	FLANGE NUT 8	
13	A409000142	1	FLYWHEEL	
14	10014239130	1	WOODRUFF KEY	

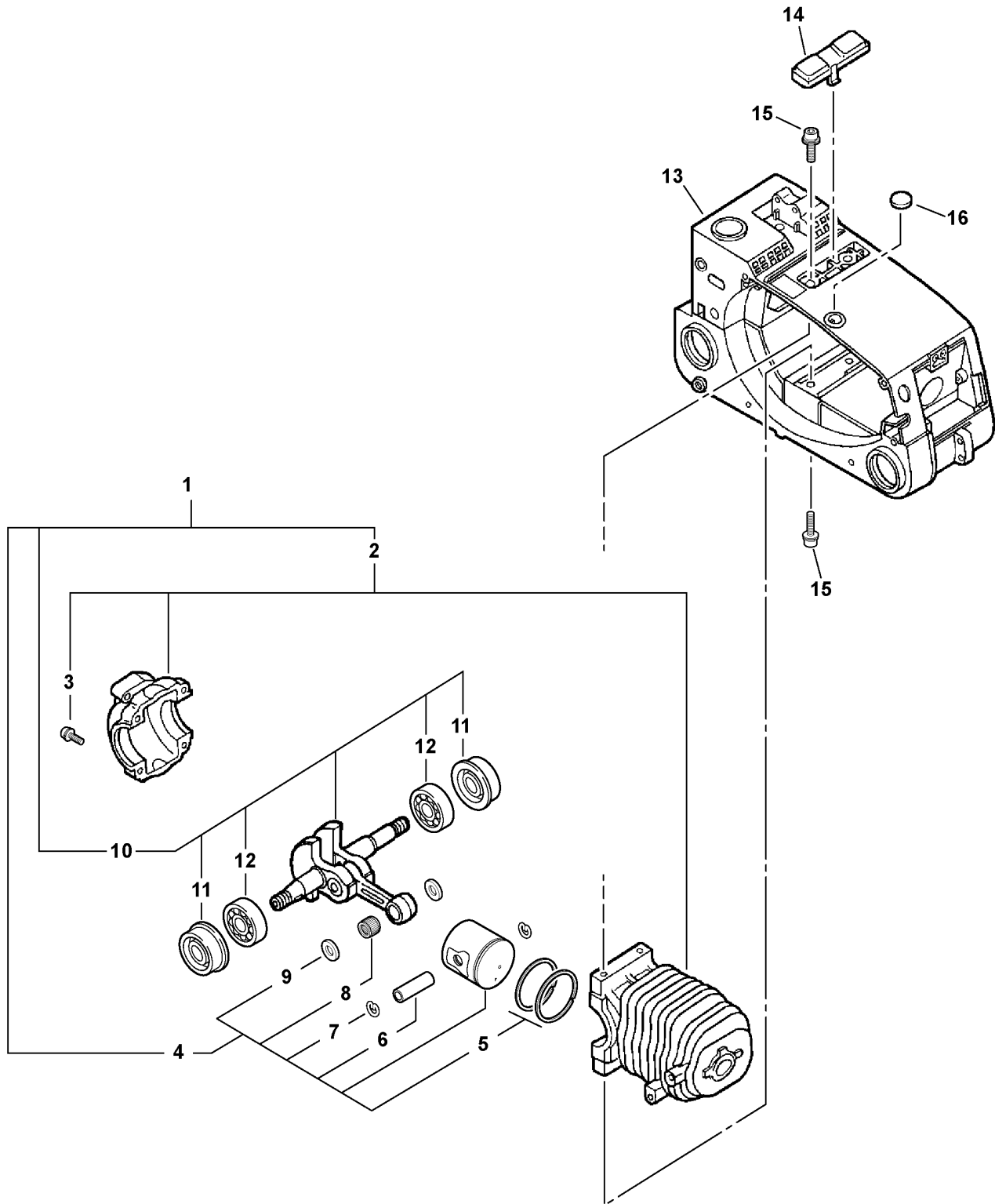
Footnotes

1: CANADA MODELS



SB1069 0000 GRY

ITEM	PART NUMBER	QTY	DESCRIPTION	REMARKS
1	SB1069	1	SHORT BLOCK	INCLUDES ITEMS 2-12
2	-----	1	CRANKCASE SET	INCLUDES ITEM 3
3	90023805025	4	SCREW 5X25	
4	P021002271	1	PISTON KIT	INCLUDES ITEMS 5-9
5	A101000060	2	RING, PISTON	
6	10001315330	1	PIN, PISTON	
7	10001504630	2	CIRCLIP, PISTON PIN	
8	17501203930	1	BEARING, NEEDLE	
9	10001411520	2	SPACER, PISTON PIN	
10	-----	1	CRANKSHAFT ASY	INCLUDES ITEMS 11-12
11	V505000010	2	OIL SEAL	
12	90081036201	2	BEARING, BALL	
13	A190000021	1	COVER, ENGINE - GRAY	
14	10402939230	1	COVER, TOP - GRAY	
15	9111005016	4	SCREW 5X16	
16	16391139130	1	PLUG	



SB1069 0000 ORG

ITEM	PART NUMBER	QTY	DESCRIPTION	REMARKS
1	SB1069	1	SHORT BLOCK	INCLUDES ITEMS 2-12
2	-----	1	CRANKCASE SET	INCLUDES ITEM 3
3	90023805025	4	SCREW 5X25	
4	P021002271	1	PISTON KIT	INCLUDES ITEMS 5-9
5	A101000060	2	RING, PISTON	
6	10001315330	1	PIN, PISTON	
7	10001504630	2	CIRCLIP, PISTON PIN	
8	17501203930	1	BEARING, NEEDLE	
9	10001411520	2	SPACER, PISTON PIN	
10	-----	1	CRANKSHAFT ASY	INCLUDES ITEMS 11-12
11	V505000010	2	OIL SEAL	
12	90081036201	2	BEARING, BALL	
13	A190000640	1	COVER, ENGINE - ORANGE	
14	10402939130	1	COVER, TOP - ORANGE	
15	9111005016	4	SCREW 5X16	
16	16391139130	1	PLUG	

REPLACEMENT BAR AND CHAIN
REPLACEMENT DU GUIDE ET DE LA CHAÎNE

GUIDE BAR	CHAIN	
PART NO.	TYPE	LINKS
12" 12ACC03745	OREGON 91VG	46
14" 14ACC03752	OREGON 91VG	62
16" 16ACC03767	OREGON 91VG	67

Note: There may be other replacement components for achieving kickback protection. For details, please refer to the bar and chain combination chart shown in the instruction manual.
 REMARQUE: Il se peut y avoir d'autres composants de remplacement ou protégés en cas de rebondissement. Pour plus de détails, se référer à la feuille sur les combinaisons de guide et de chaîne du manuel de l'utilisateur.

PURGE PUMP

CAUTION/ATTENTION
 Hearing protectors meeting the requirements of CSA Standard Z94.2 should be worn.
 Les protecteurs auditifs pouvant être portés doivent respecter les normes CSA Standard Z94.2.

CAUTION
 This saw shall be used Only by certified tree service Professionals.
 For safe operation follow all safety precautions and instructions in operator's manuals. (Replacement manuals are available from your ECHO dealer.)
 Hold chain saw firmly with both hands.
 Cette tronçonneuse doit être utilisée seulement par des professionnels de l'abattage.
 Pour un travail en sécurité, respectez toutes les règles de sécurité et les indications du manuel d'utilisation. (Le manuel d'utilisation est disponible chez votre agent ECHO.)
 Tenez fermement la tronçonneuse des deux mains.

ATTENTION
TO AVOID KICKBACK
 1. Contact of the guide bar tip with any object should be avoided.
 2. Tip contact may cause the guide bar to move suddenly upward and backward which may cause serious injury.
 3. Always use two hands when operating the chain saw.
POUR ÉVITER LES REBONDISSEMENTS
 1. Éviter tout contact entre le nez du guide-chaîne et un objet quelconque.
 2. Tout contact du nez peut provoquer un mouvement brusque vers le haut ou vers le bas et entraîner de graves blessures.
 3. Toujours employer les deux mains pour opérer la scie à chaîne.

STOP

CHAIN SAW
 LISTED
 262.1.762.3
 CLASS1B



ECHO
CS-341



WARNING
 Chain brake must be unlocked before removing or installing clutch cover. Improper installation can result in serious injury and cause severe damage to saw.
 La fobortis nisi ut aliquip ex. elit, sed nonummy neusmod tincidunt ut laoreet doloremagna aliquam erat volutpat. Ut wisi enim ad minim veniam, quis nostrud exerci tation ullamcorperquis nostrud exercic.



100 0006 CAN

CS-341 Chain Saw

Labels

ITEM	PART NUMBER	QTY	DESCRIPTION	REMARKS
1	X524000812	1	LABEL - BAR & CHAIN	
2	89016739230	1	LABEL - PURGE PIMP	
3	89017639431	1	LABEL - WARNING -- FRENCH	
4	X524000990	1	LABEL - WARNING -- KICKBACK	
5	89011849330	1	LABEL - ECHO	
6	X532000812	1	LABEL - SPARK PLUG -- BPMR-8Y	
7	X503001480	1	LABEL - MODEL -- CS-341	
8	89016006361	1	LABEL - CAUTION -- HOT	
9	X505002070	1	LABEL - WARNING -- CHAINBRAKE	

RePower Tune-Up Kit	Contains: Service Number	Description
90076C	13031039132	AIR FILTER
	13120507320	FUEL FILTER
	A425000000	SPARK PLUG -- BPMP-8Y

<u>ITEM</u>	<u>PART NUMBER</u>	<u>QTY</u>	<u>DESCRIPTION</u>	<u>REMARKS</u>
1	90076C	1	TUNE-UP KIT	

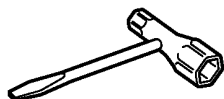
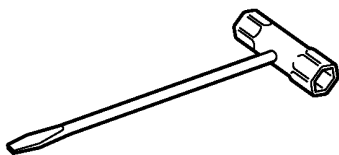
WRENCH W/SCREWDRIVER (Also Remove Spark Plugs)

1 - 89541010630 -- 17X19mm

2 - X602000020 -- 17X19mm

3 - 89541039131 -- 10X19mm

4 - 89541006960 -- 13X19mm



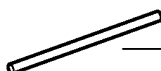
BOX WRENCH

5 - X602000031 -- 17X14.5mm



LOCKING BAR

6 - 89751801131 -- 5X120mm



SPANNER

7 - 89511200330 -- 8X10mm

8 - 89512220960 -- 17X19mm



9 - 89501505260 -- 10mm



HEX BAR

10 - 89541220960 -- 10mm



L-WRENCH

11 - 89561203430 -- 3mm



12 - 89561000130 -- 4mm

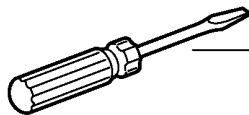


13 - 89561100330 -- 5mm

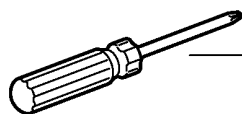


SCREWDRIVER

14 - 89581100130 -- 125mm



15 - 89581203930 -- 50mm



200 0001 000

ITEM	PART NUMBER	QTY	DESCRIPTION	REMARKS
1	89541010630	1	WRENCH/SCREWDRIVER -- 17X19mm	
2	X602000020	1	WRENCH/SCREWDRIVER -- 17X19mm	
3	89541039131	1	WRENCH/SCREWDRIVER -- 10X19mm	
4	89541006960	1	WRENCH/SCREWDRIVER -- 13X19mm	
5	X602000031	1	BOX WRENCH -- 17X14.5mm	
6	89751801131	1	LOCKING BAR -- 5X120mm	
7	89511200330	1	SPANNER -- 8X10mm	
8	89512220960	1	SPANNER -- 17X19mm	
9	89501505260	1	SPANNER -- 10mm	
10	89541220960	1	HEX BAR -- 10mm	
11	89561203430	1	L-WRENCH -- 3mm	
12	89561000130	1	L-WRENCH -- 4mm	
13	89561100330	1	L-WRENCH -- 5mm	
14	89581100130	1	SCREWDRIVER -- 125mm	
15	89581203930	1	SCREWDRIVER -- 50mm	



Part Description Index

Click The Page Number After Any Part Description To View The Diagram Containing That Part.

A

ADJUSTER, BRAKE.....17, 19
 AIR CLEANER COVER ASY.....9
 AUTO-OILER ASY.....23, 25

B

BALL.....11
 BAND, BRAKE.....17, 19
 BEARING, BALL.....31, 33
 BEARING, NEEDLE.....21, 31, 33
 BODY, CARBURETOR.....11
 BOLT 5.....17, 19
 BOX WRENCH -- 17X14.5mm.....39
 BRACKET, PUMP.....23, 25
 BUSHING.....29

C

CAP.....27
 CAP ASY - BLACK.....25
 CAP, MIXTURE LIMITER.....11
 CAP, OIL PUMP.....23, 25
 CAP, SPARK PLUG.....29
 CARBURETOR -- WT-589.....9
 CARBURETOR -- WT-589A.....11
 CATCHER, CHAIN.....17, 19
 CHAIN BRAKE ASY.....17, 19
 CIRCLIP, PISTON PIN.....31, 33
 CLIP.....23, 25
 CLIP, THROTTLE SHAFT.....11
 CLUTCH ASY.....21
 CLUTCH SHOE SET.....21
 COIL, IGNITION.....29
 COLLAR.....17, 19
 CONNECTOR, BRAKE.....17, 19
 CONTROL, THROTTLE.....27
 COVER, BOTTOM - GRAY.....23
 COVER, BOTTOM - ORANGE.....25
 COVER, BRAKE - GRAY.....17
 COVER, BRAKE - ORANGE.....19
 COVER, ENGINE - GRAY.....31
 COVER, ENGINE - ORANGE.....33
 COVER, FUEL PUMP.....11
 COVER, METERING DIAPHRAGM.....11
 COVER, MUFFLER.....13
 COVER, SEAL.....17, 19
 COVER, TOP - GRAY.....31
 COVER, TOP - ORANGE.....33
 COVER, VENT.....23, 25
 CRANKCASE SET.....31, 33
 CRANKSHAFT ASY.....31, 33
 CUSHION.....27

D

DEFLECTOR, HEAT.....17, 19
 DIAPHRAGM, FUEL PUMP.....11
 DIAPHRAGM, METERING.....11
 DIAPHRAGM/GASKET KIT.....11
 DRUM, CLUTCH.....21

E

E-RING 4.....9
 EYE PLATE.....13

F

FILTER, AIR.....9
 FIXTURE, HARNESS.....27
 FLANGE BOLT.....13
 FLANGE NUT 5.....27
 FLANGE NUT 6.....17, 19
 FLANGE NUT 8.....29
 FLYWHEEL.....29

G

GASKET, EXHAUST.....13
 GASKET, FUEL PUMP.....11
 GASKET, INTAKE.....9
 GASKET, METERING DIAPHRAGM.....11
 GASKET, MUFFLER.....13
 GEAR, BEVEL.....17, 19
 GEAR, WORM.....23, 25
 GRIP, STARTER.....5, 7
 GROMMET.....23, 25
 GROMMET, CHOKE.....9
 GROMMET, FUEL.....23, 25
 GROMMET, IDLE.....9
 GROMMET, THROTTLE.....27
 GUARD, SPROCKET - GRAY.....17
 GUARD, SPROCKET - ORANGE.....19
 GUIDE BAR - 12".....15
 GUIDE BAR - 12" -- Intenz.....15
 GUIDE BAR - 14".....15
 GUIDE BAR - 14" -- Intenz.....15
 GUIDE BAR - 16".....15
 GUIDE BAR - 16" -- Intenz.....15
 GUIDE, EXHAUST.....13
 GUIDE, ROPE.....5, 7

H

HANDLE SET - REAR.....27
 HANDLE, FRONT.....27
 HEX BAR -- 10mm.....39
 HOUSING, STARTER - GRAY.....5
 HOUSING, STARTER - ORANGE.....7
 HUB, CLUTCH.....21

I

INSULATOR KIT.....9

K

KICK GUARD KIT.....15

L

LABEL - BAR & CHAIN.....35
 LABEL - CAUTION -- HOT.....35
 LABEL - ECHO.....35
 LABEL - MODEL -- CS-341.....35
 LABEL - PURGE PIMP.....35
 LABEL - SPARK PLUG -- BPMP-8Y.....35
 LABEL - WARNING -- CHAINBRAKE.....35
 LABEL - WARNING -- FRENCH.....35
 LABEL - WARNING -- KICKBACK.....35
 LABEL, ECHO.....7
 LEAD, GROUND.....29
 LEAD, IGNITION.....29
 LEVER, BRAKE - BLACK.....19

LEVER, BRAKE - ORANGE.....17
 LEVER, METERING.....11
 LEVER, THROTTLE.....11
 LOCKING BAR -- 5X120mm.....39
 LOCKNUT.....17, 19
 LOCKOUT, THROTTLE.....27
 L-WRENCH -- 3mm.....39
 L-WRENCH -- 4mm.....39
 L-WRENCH -- 5mm.....39

M

MUFFLER.....13

N

NEEDLE - HIGH SPEED.....11
 NEEDLE - LOW SPEED.....11
 NEEDLE, ADJUST.....23, 25
 NUT 4.....17, 19

O

OIL SEAL.....31, 33
 O-RING 25.....23, 25

P

PAD, FORM.....23, 25
 PAWL, STARTER.....5, 7
 PIN, METERING LEVER.....11
 PIN, PISTON.....31, 33
 PIPE.....23, 25
 PIPE KIT, OIL.....23, 25
 PIPE, 2X4X42mm.....23, 25
 PIPE, 3X5X70mm.....23, 25
 PIPE, 3X6X160mm.....23, 25
 PIPE, FUEL 3X5X150mm.....23, 25
 PIPE, VENT - 3X6X115mm.....23, 25
 PISTON ASY.....11
 PISTON KIT.....31, 33
 PLATE, CLUTCH.....21
 PLATE, GUIDE.....5, 7, 17, 19
 PLATE, PREVENT.....9
 PLATE, STARTER.....5, 7
 PLUG.....9, 23, 25, 31, 33
 PLUG, WELCH.....11
 PLUNGER.....23, 25
 PUMP, PRIMER.....23, 25

R

REEL, ROPE.....5, 7
 REPAIR KIT.....11
 RETAINER, CAP.....23, 25
 RING.....23, 25
 RING, HARNESS.....27
 RING, PISTON.....31, 33
 ROD, CHOKE.....9
 ROD, THROTTLE.....27
 ROLLER, 4X23.8.....17, 19
 ROLLER, 4X8.8.....17, 19
 ROPE, STARTER - 3X850mm.....5, 7

S

SAWING CHAIN - 12" -- XtraGUARD.....15
 SAWING CHAIN - 14" -- XtraGUARD.....15
 SAWING CHAIN - 16" -- XtraGUARD.....15



Part Description Index (continued)

SCREEN, INLET.....11
 SCREEN, MUFFLER.....13
 SCREW.....27
 SCREW 3X14.....5, 7
 SCREW 4X10.....13, 17, 19, 27
 SCREW 4X12.....17, 19
 SCREW 4X14.....5, 7, 27
 SCREW 4X16.....5, 7, 23, 25, 27
 SCREW 4X20.....19
 SCREW 4X22.....17
 SCREW 5X12.....5, 7, 23, 25
 SCREW 5X14.....27
 SCREW 5X16.....31, 33
 SCREW 5X18.....9
 SCREW 5X20.....13, 17, 19
 SCREW 5X22.....29
 SCREW 5X25.....31, 33
 SCREW 5X32.....17, 19
 SCREW 5X35.....27
 SCREW 5X45.....9
 SCREW, DIAPHRAGM COVER.....11
 SCREW, IDLE ADJUST.....11
 SCREW, METERING LEVER PIN.....11
 SCREW, PUMP COVER.....11
 SCREW, THROTTLE LEVER.....11
 SCREW, THROTTLE VALVE.....11
 SCREWDRIVER -- 125mm.....39
 SCREWDRIVER -- 50mm.....39
 SEAL.....9
 SHAFT, THROTTLE.....11
 SHORT BLOCK.....31, 33
 SHUTTER, CHOKE.....9
 SPACER.....5, 7, 17, 19, 29
 SPACER 8.....17, 19
 SPACER, PISTON PIN.....31, 33
 SPANNER -- 10mm.....39
 SPANNER -- 17X19mm.....39
 SPANNER -- 8X10mm.....39
 SPARK PLUG -- BPM-8Y.....29
 SPARK PLUG -- BPMR-8Y.....29
 SPRING.....17, 19, 23, 25
 SPRING PIN.....17, 19, 27
 SPRING PIN 4X20.....27
 SPRING, BRAKE.....17, 19
 SPRING, CLUTCH.....21
 SPRING, IDLE ADJUST.....11
 SPRING, METERING LEVER.....11
 SPRING, RETURN.....5, 7
 SPRING, REWIND.....5, 7
 SPRING, START VALVE.....11
 SPRING, THROTTLE RETURN.....11, 27
 STARTER ASY.....5, 7
 STOPPER, BRAKE.....17, 19
 STRAINER, FUEL.....23, 25
 STRAINER, OIL.....23, 25
 STUD, GUIDE BAR.....17, 19
 SUPPORTER.....27
 SWITCH, IGNITION.....29

T

TANK CAP ASY - ORANGE.....23
 TENSIONER, CHAIN.....17, 19
 TERMINAL, SPARK PLUG CAP.....29
 THUMB BOLT.....9
 TUNE-UP KIT.....37

V

VALVE, CHECK.....23, 25
 VALVE, INLET NEEDLE.....11
 VALVE, THROTTLE.....11
 VENT ASY.....23, 25

W

WASHER.....5, 7, 9, 23, 25
 WASHER 5.....5, 7
 WASHER, CLUTCH.....21
 WEIGHT, BRAKE.....17, 19
 WOODRUFF KEY.....29
 WRENCH/SCREWDRIVER -- 10X19mm.....39
 WRENCH/SCREWDRIVER -- 13X19mm.....39
 WRENCH/SCREWDRIVER -- 17X19mm.....39

NOTES



ECHO, INCORPORATED

400 Oakwood Road
Lake Zurich, IL 60047 USA

WWW.ECHO-USA.COM
