



## AVAILABLE ATTACHMENTS & ACCESSORIES

### Accessories

103942147	CS Carry Bag
89850308032	Bar & Chain Cover - 17"
99988800207	CS Removable Nose Case
99988800308	CS Lanyard Strap w_Ring
99988801205	CS Fixed Nose Case

### Guide Bars

12A0CD3745	Guide Bar - 12" (.050" Ga)
12A0ZD3745	Guide Bar - 12" (.050" Ga) -- Intenz
14A0CD3752	Guide Bar - 14" (.050" Ga)
14A0ZD3752	Guide Bar - 14" (.050" Ga) -- Intenz
16A0CD3757	Guide Bar - 16" (.050" Ga)
16A0ZD3757	Guide Bar - 16" (.050" Ga) -- Intenz

### Sawing Chains

91VG45G	Sawing Chain - 12" (.050" Ga) -- XtraGUARD
91VG52G	Sawing Chain - 14" (.050" Ga) -- XtraGUARD
91VG57G	Sawing Chain - 16" (.050" Ga) -- XtraGUARD

# PARTS CATALOG

## CS-341 Chain Saw

**33.4cc (CALIFORNIA ONLY)**

### SERIAL NUMBERS

S/N: C07611001001 - C07611999999

**ECHO, INCORPORATED**

400 Oakwood Road Lake Zurich, Illinois 60047 USA

WWW.ECHO-USA.COM



# Table of Contents

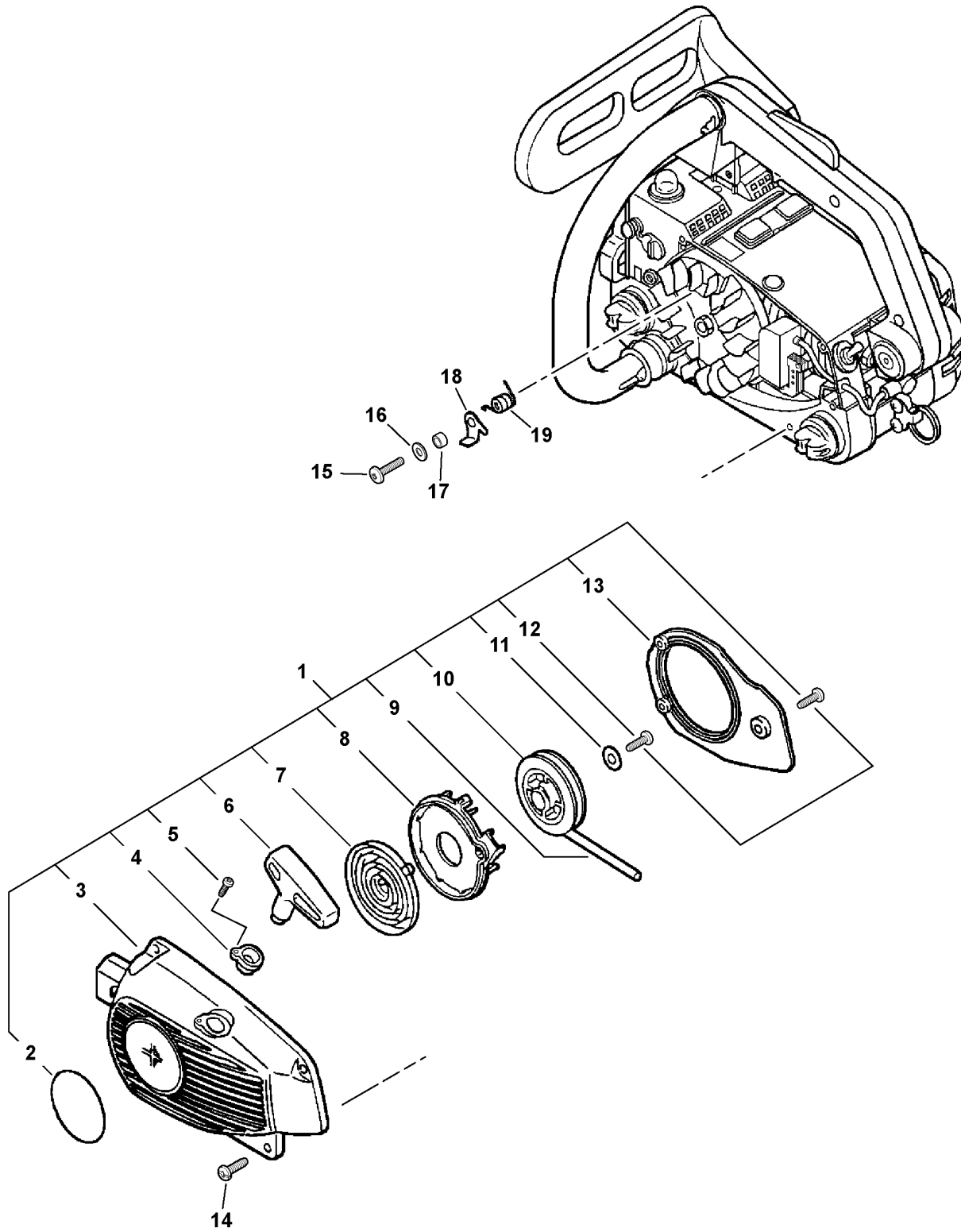
---

Click Any Diagram Description Below To View That Diagram.

## **CS-341 S/N: C07611001001 - C07611999999**

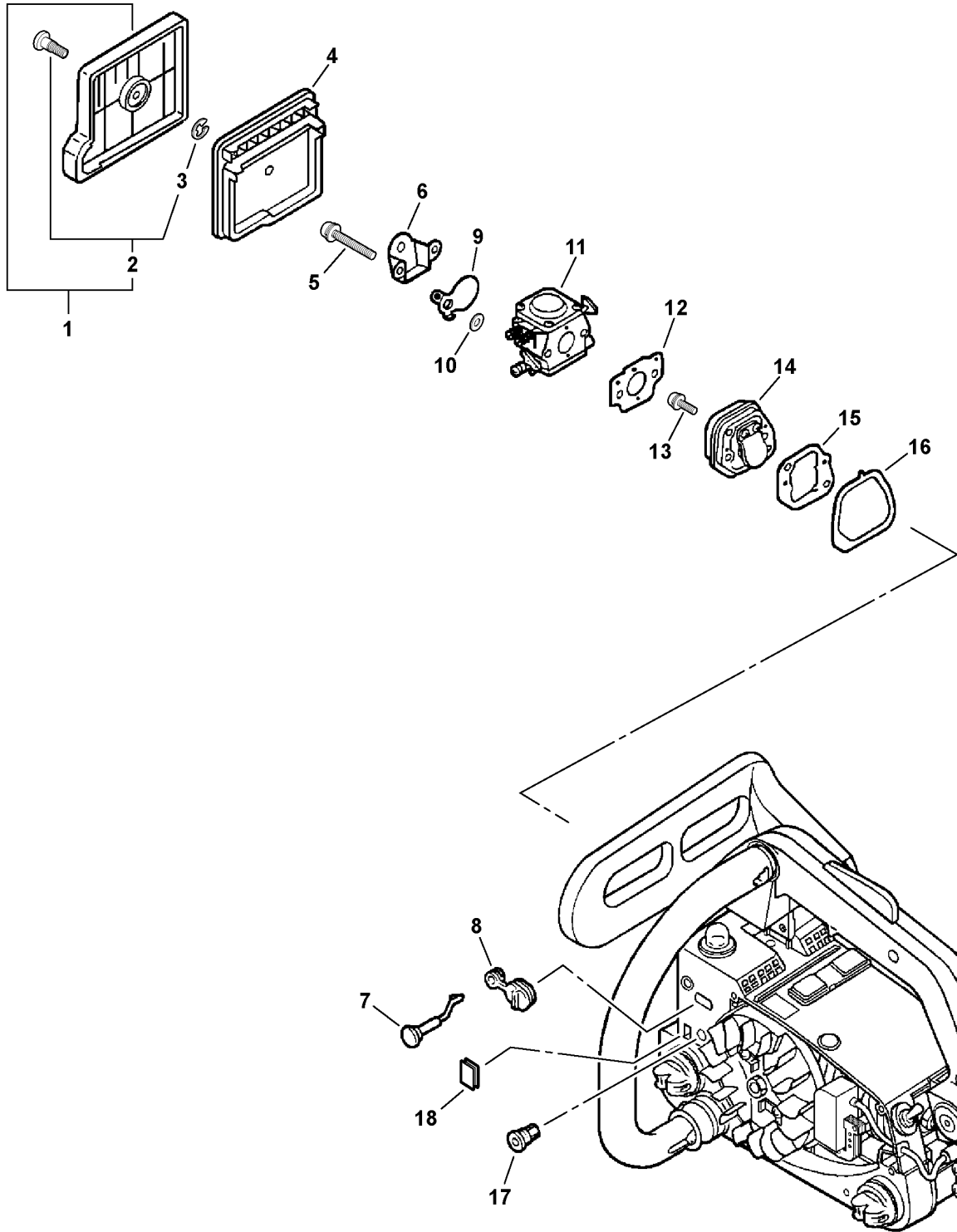
<b>Starter.....</b>	<b>4</b>
<b>Intake.....</b>	<b>6</b>
<b>Carburetor -- WT-589A.....</b>	<b>8</b>
<b>Exhaust.....</b>	<b>10</b>
<b>Guide Bar, Sawing Chain.....</b>	<b>12</b>
<b>Chain Brake.....</b>	<b>14</b>
<b>Clutch.....</b>	<b>16</b>
<b>Fuel System, Auto Oiler.....</b>	<b>18</b>
<b>Handles.....</b>	<b>20</b>
<b>Ignition.....</b>	<b>22</b>
<b>Engine, Short Block -- SB1069, Engine Cover.....</b>	<b>24</b>
<b>Labels.....</b>	<b>26</b>
<b>RePower Tune-Up Kit.....</b>	<b>28</b>
<b>Tools.....</b>	<b>30</b>
<b>Part Number Index.....</b>	<b>32</b>
<b>Part Description Index.....</b>	<b>33</b>

***This Page Intentionally Left Blank***



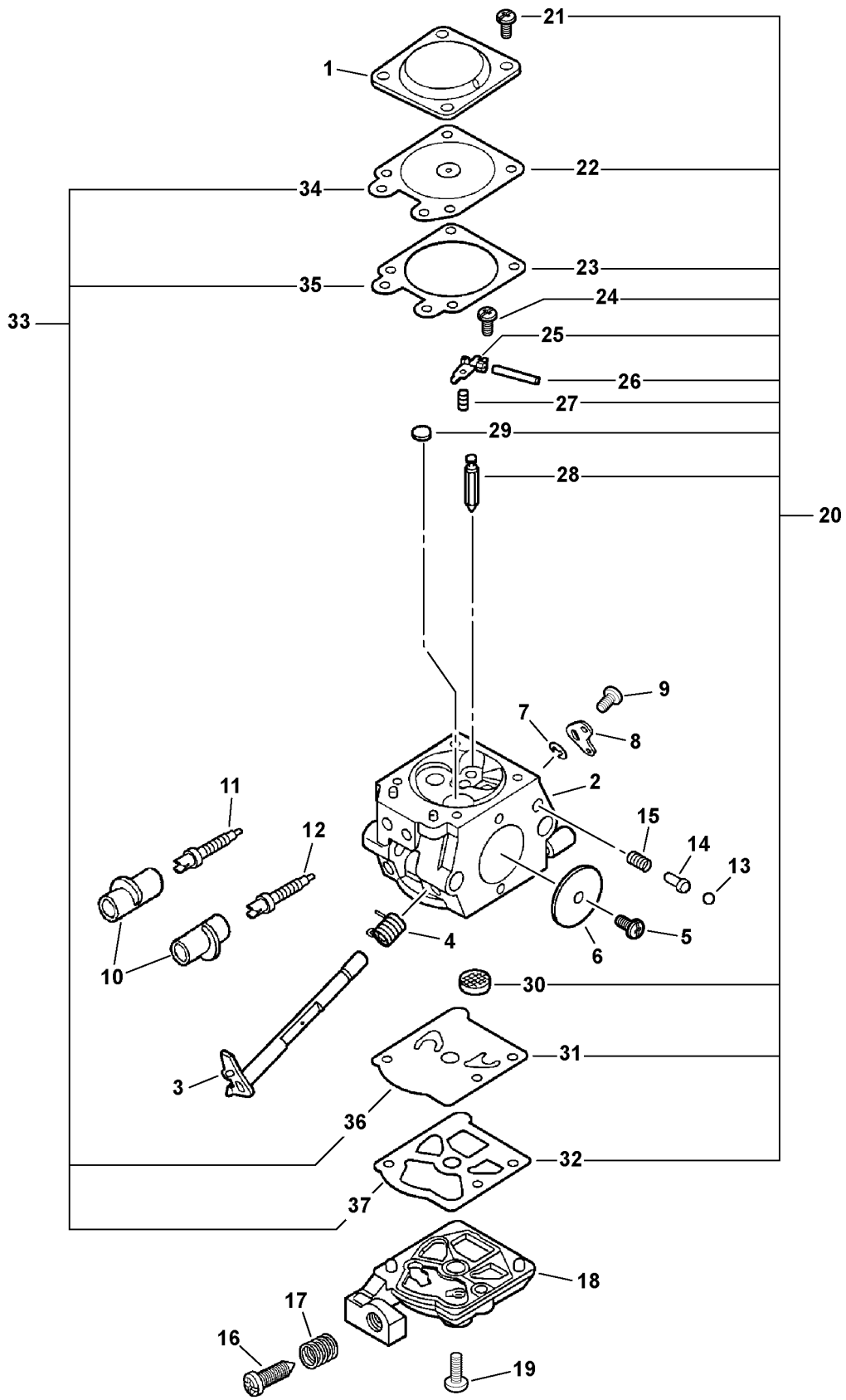
015 0002 ORG

ITEM	PART NUMBER	QTY	DESCRIPTION	REMARKS
1	P021011560	1	STARTER ASY	INCLUDES ITEMS 2-13
2	89011849330	1	LABEL, ECHO	
3	A500000460	1	HOUSING, STARTER - ORANGE	
4	17722739131	1	GUIDE, ROPE	
5	90029603014	1	SCREW 3X14	
6	17722835430	1	GRIP, STARTER	
7	17722039630	1	SPRING, REWIND	
8	17722139630	1	PLATE, STARTER	
9	17722606530	1	ROPE, STARTER - 3X850mm	REPOWER BULK OPTION: 99944444000
10	A506000090	1	REEL, ROPE	
11	17721404630	1	WASHER	
12	90025304014	4	SCREW 4X14	
13	10153439530	1	PLATE, GUIDE	
14	90025604016	4	SCREW 4X16	
15	90021605012	2	SCREW 5X12	
16	90060300005	2	WASHER 5	
17	17724704630	2	SPACER	
18	17721835631	2	PAWL, STARTER	
19	17723435430	2	SPRING, RETURN	



010 0003 00B

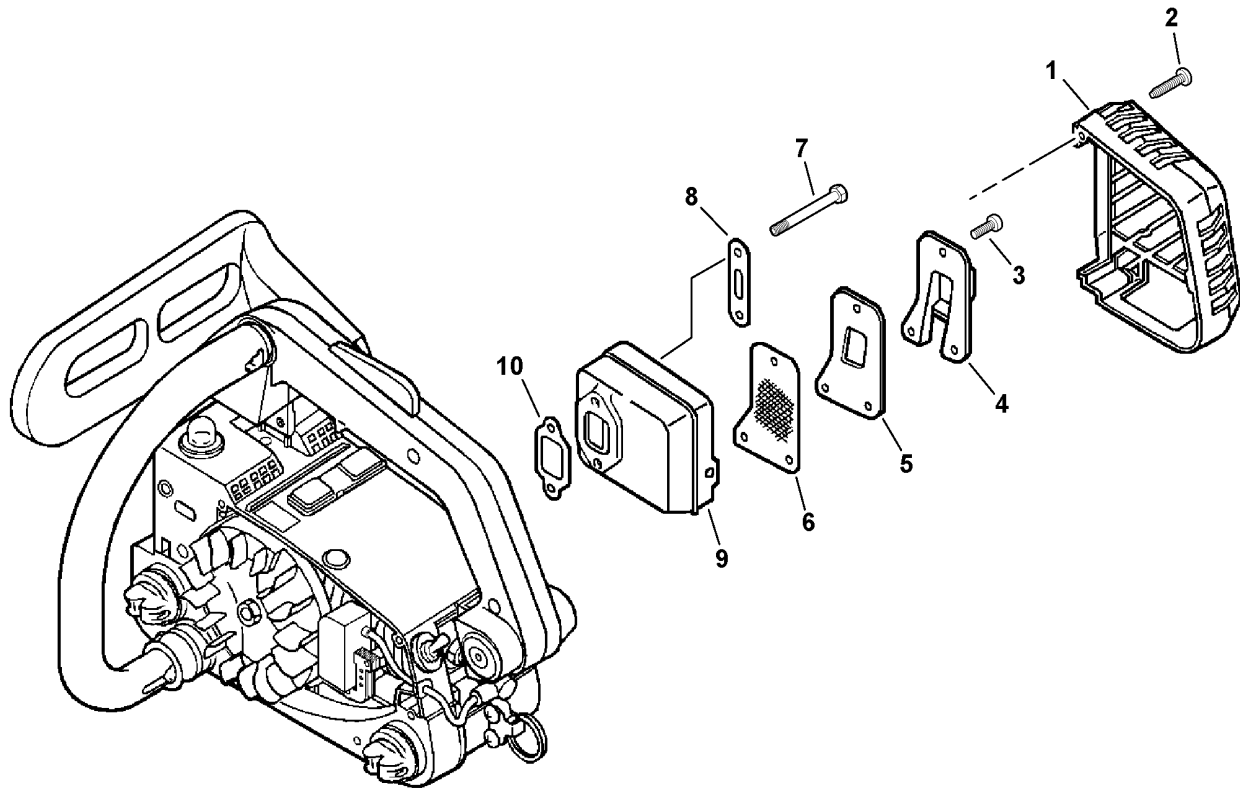
ITEM	PART NUMBER	QTY	DESCRIPTION	REMARKS
1	13030239136	1	AIR CLEANER COVER ASY	INCLUDES ITEM 2-3
2	13040613933	1	THUMB BOLT	INCLUDES ITEM 3
3	90070000004	1	E-RING 4	
4	13031039132	1	FILTER, AIR	
5	90023805045	2	SCREW 5X45	
6	12901139130	1	PLATE, PREVENT	
7	17851039230	1	ROD, CHOKE	
8	17881039630	1	GROMMET, CHOKE	
9	17851539130	1	SHUTTER, CHOKE	
10	17851603930	2	WASHER	
11	-----	1	CARBURETOR	See Carburetor Diagram For Additional Information
12	V103000021	1	GASKET, INTAKE	
13	90025005018	2	SCREW 5X18	
14	P021004590	1	INSULATOR KIT	
15	V103000120	1	GASKET, INTAKE	
16	13001239131	1	SEAL	
17	12902339131	1	GROMMET, IDLE	
18	10403439130	1	PLUG	



WT589A 0000 231



ITEM	PART NUMBER	QTY	DESCRIPTION	REMARKS
	A021000231	1	CARBURETOR -- WT-589A	
1	12314203930	1	COVER, METERING DIAPHRAGM	
2	-----	1	BODY, CARBURETOR	NOT AVAILABLE SEPARATELY
3	12311739530	1	SHAFT, THROTTLE	
4	12311347530	1	SPRING, THROTTLE RETURN	
5	12311438830	1	SCREW, THROTTLE VALVE	
6	12311605230	1	VALVE, THROTTLE	
7	12312715030	1	CLIP, THROTTLE SHAFT	
8	12315039230	1	LEVER, THROTTLE	
9	12311438830	1	SCREW, THROTTLE LEVER	
10	P003000010	2	CAP, MIXTURE LIMITER	
11	12312043131	1	NEEDLE - HIGH SPEED	
12	12311839231	1	NEEDLE - LOW SPEED	
13	12313609660	1	BALL	
14	12318509660	1	PISTON ASY	
15	12318609660	1	SPRING, START VALVE	
16	12313419730	1	SCREW, IDLE ADJUST	
17	12313311130	1	SPRING, IDLE ADJUST	
18	12312409320	1	COVER, FUEL PUMP	
19	12311003930	1	SCREW, PUMP COVER	
20	12310037330	1	REPAIR KIT	INCLUDES ITEMS 21-32
21	12313002960	4	SCREW, DIAPHRAGM COVER	
22	-----	1	DIAPHRAGM, METERING	
23	-----	1	GASKET, METERING DIAPHRAGM	
24	-----	1	SCREW, METERING LEVER PIN	
25	-----	1	LEVER, METERING	
26	-----	1	PIN, METERING LEVER	
27	-----	1	SPRING, METERING LEVER	
28	-----	1	VALVE, INLET NEEDLE	
29	-----	1	PLUG, WELCH	
30	-----	1	SCREEN, INLET	
31	-----	1	DIAPHRAGM, FUEL PUMP	
32	-----	1	GASKET, FUEL PUMP	
33	12310105960	1	DIAPHRAGM/GASKET KIT	INCLUDES ITEMS 34-37
34	-----	1	DIAPHRAGM, METERING	
35	-----	1	GASKET, METERING DIAPHRAGM	
36	-----	1	DIAPHRAGM, FUEL PUMP	
37	-----	1	GASKET, FUEL PUMP	

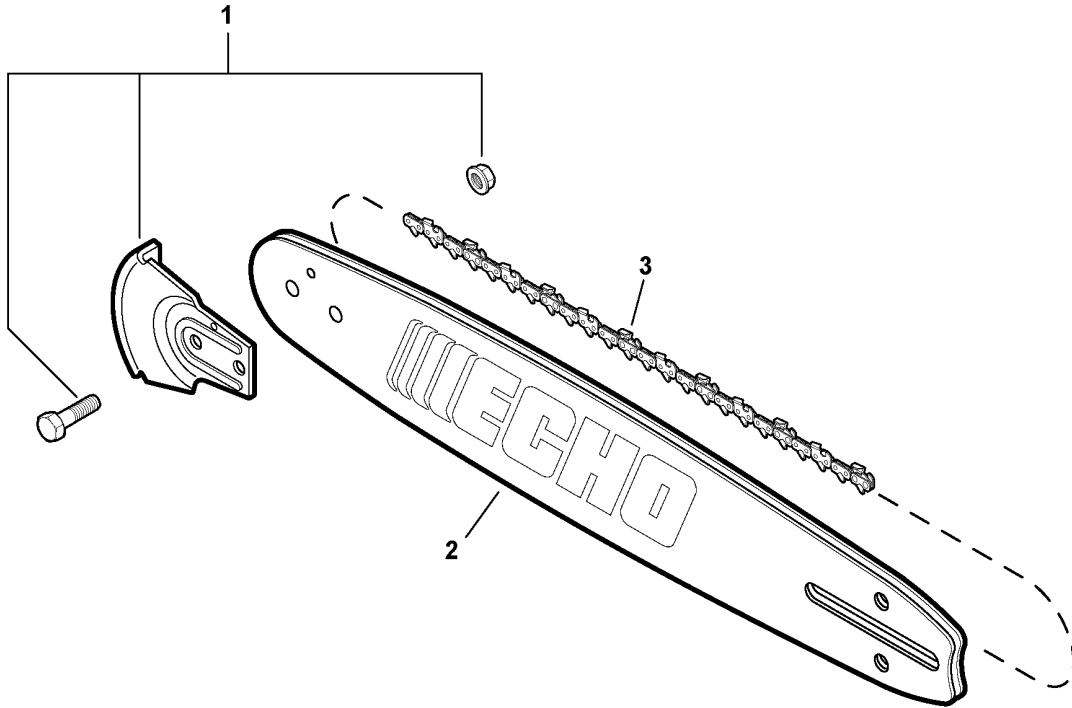


011 0002 000

**CS-341 Chain Saw**

**Exhaust**

ITEM	PART NUMBER	QTY	DESCRIPTION	REMARKS
1	A320000033	1	COVER, MUFFLER	
2	90025305020	2	SCREW 5X20	
3	9136704010	3	SCREW 4X10	
4	A303000010	1	GUIDE, EXHAUST	
5	V104000140	1	GASKET, EXHAUST	
6	14586213931	1	SCREEN, MUFFLER	
7	9110705045	2	FLANGE BOLT	
8	14564213930	1	EYE PLATE	
9	A300000120	1	MUFFLER	
10	14551013931	1	GASKET, MUFFLER	

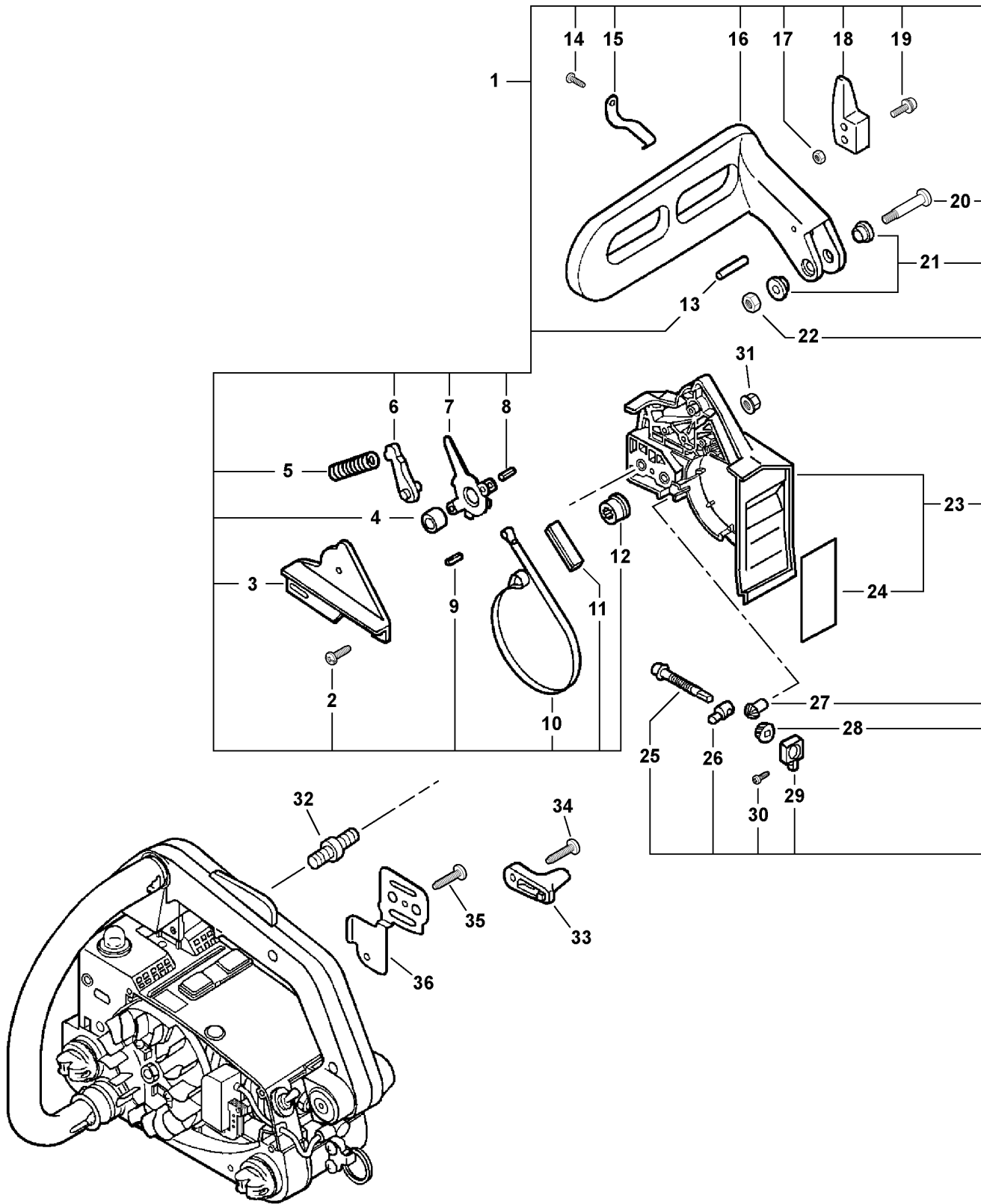


016 0003 000

ITEM	PART NUMBER	QTY	DESCRIPTION	REMARKS
1	2894901	1	KICK GUARD KIT	
2	12A0CD3745	1	GUIDE BAR - 12"	GAUGE: .050"
2	14A0CD3752	1	GUIDE BAR - 14"	GAUGE: .050"
2	16A0CD3757	1	GUIDE BAR - 16"	GAUGE: .050"
2	12A0ZD3745	1	GUIDE BAR - 12" -- Intenz	GAUGE: .050"
2	14A0ZD3752	1	GUIDE BAR - 14" -- Intenz	GAUGE: .050"
2	16A0ZD3757	1	GUIDE BAR - 16" -- Intenz	GAUGE: .050"
3	91VG52G	1	SAWING CHAIN - 14" -- XtraGUARD <sup>1</sup>	GAUGE: .050" / PITCH: .375"
3	91VG45G	1	SAWING CHAIN - 12" -- XtraGUARD <sup>1</sup>	GAUGE: .050" / PITCH: .375"
3	91VG57G	1	SAWING CHAIN - 16" -- XtraGUARD <sup>1</sup>	GAUGE: .050" / PITCH: .375"

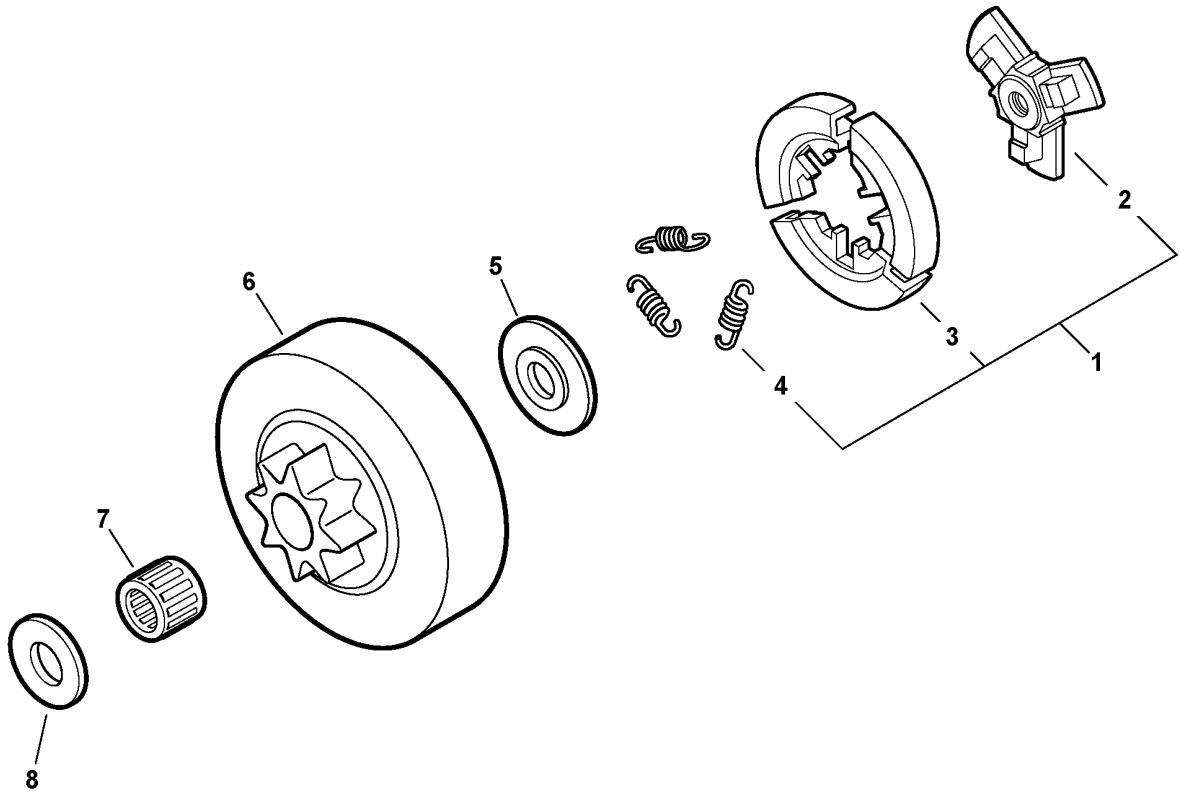
**Footnotes**

1: Low Vibration



013 0005 ORG

ITEM	PART NUMBER	QTY	DESCRIPTION	REMARKS
1	P021011570	1	CHAIN BRAKE ASY	INCLUDES ITEM 2-30
2	90025304012	3	SCREW 4X12	
3	C345000230	1	COVER, BRAKE - ORANGE	
4	43311635430	1	SPACER 8	
5	43312235430	1	SPRING, BRAKE	
6	43320935430	1	STOPPER, BRAKE	
7	43320835431	1	CONNECTOR, BRAKE	
8	90033040088	1	ROLLER, 4X8.8	
9	90034225012	1	SPRING PIN	
10	43312339530	1	BAND, BRAKE	
11	43331232630	1	COVER, SEAL	
12	43314235430	1	ADJUSTER, BRAKE	
13	90033040238	1	ROLLER, 4X23.8	
14	90025304010	1	SCREW 4X10	
15	43311439130	1	SPRING	
16	C320000120	1	LEVER, BRAKE - BLACK	
17	90050000004	2	NUT 4	
18	43317139630	1	WEIGHT, BRAKE	
19	90023804020	2	SCREW 4X20	
20	9131805032	1	SCREW 5X32	
21	43316739130	2	SPACER	
22	90056200005	1	LOCKNUT	
23	C300000340	1	GUARD, SPROCKET - ORANGE	INCLUDES ITEM 24
24	V341000000	1	DEFLECTOR, HEAT	
25	V203000041	1	BOLT 5	
26	C309000030	1	TENSIONER, CHAIN	
27	V651000001	1	GEAR, BEVEL	
28	V651000011	1	GEAR, BEVEL	
29	V355000140	1	COLLAR	
30	90025304012	1	SCREW 4X12	
31	43301903933	2	FLANGE NUT 6	
32	V224000030	2	STUD, GUIDE BAR	
33	43302635430	1	CATCHER, CHAIN	
34	90025305020	1	SCREW 5X20	
35	90025304010	1	SCREW 4X10	
36	43301239131	1	PLATE, GUIDE	



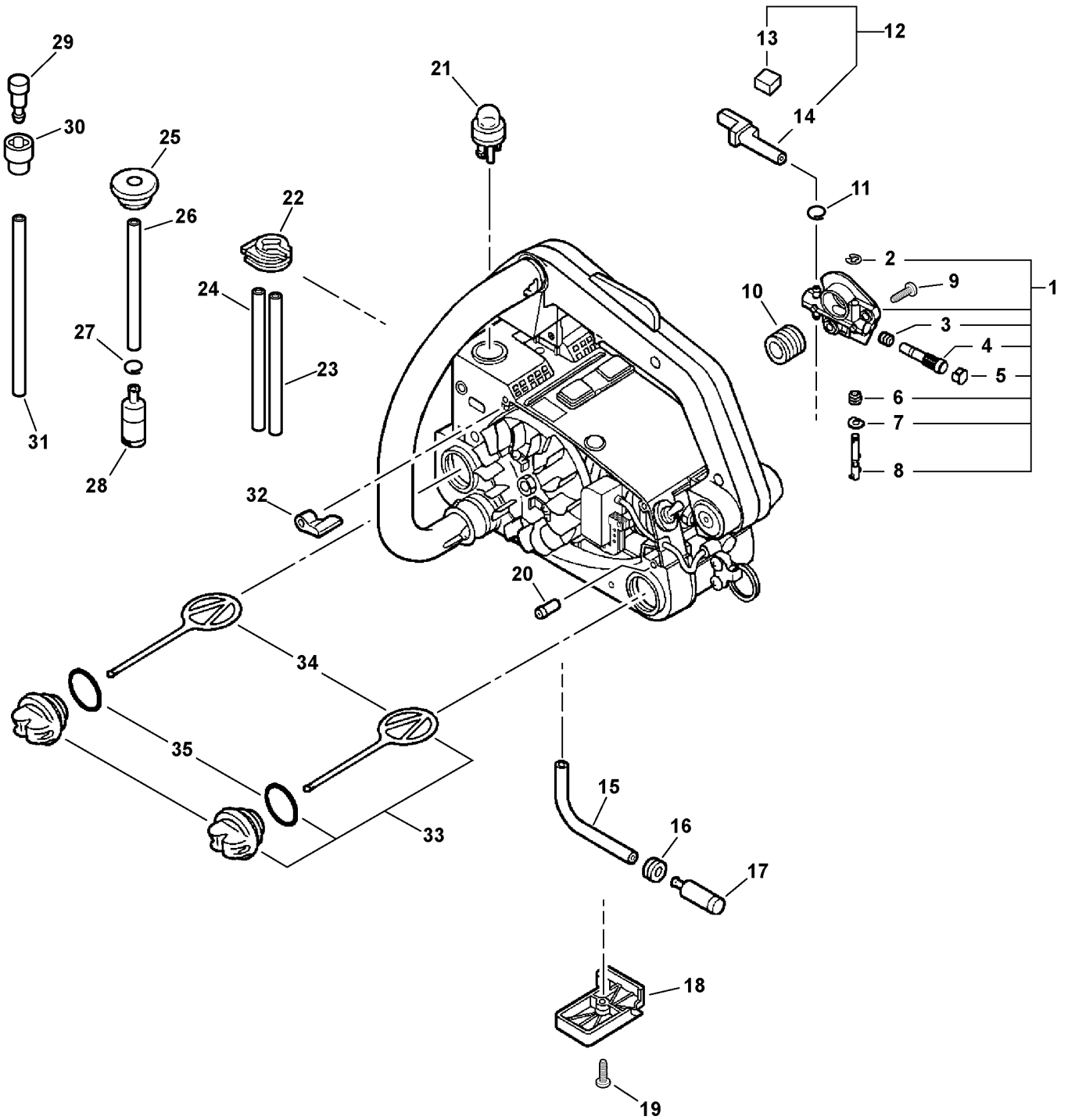
014 0002 000



**CS-341 Chain Saw**

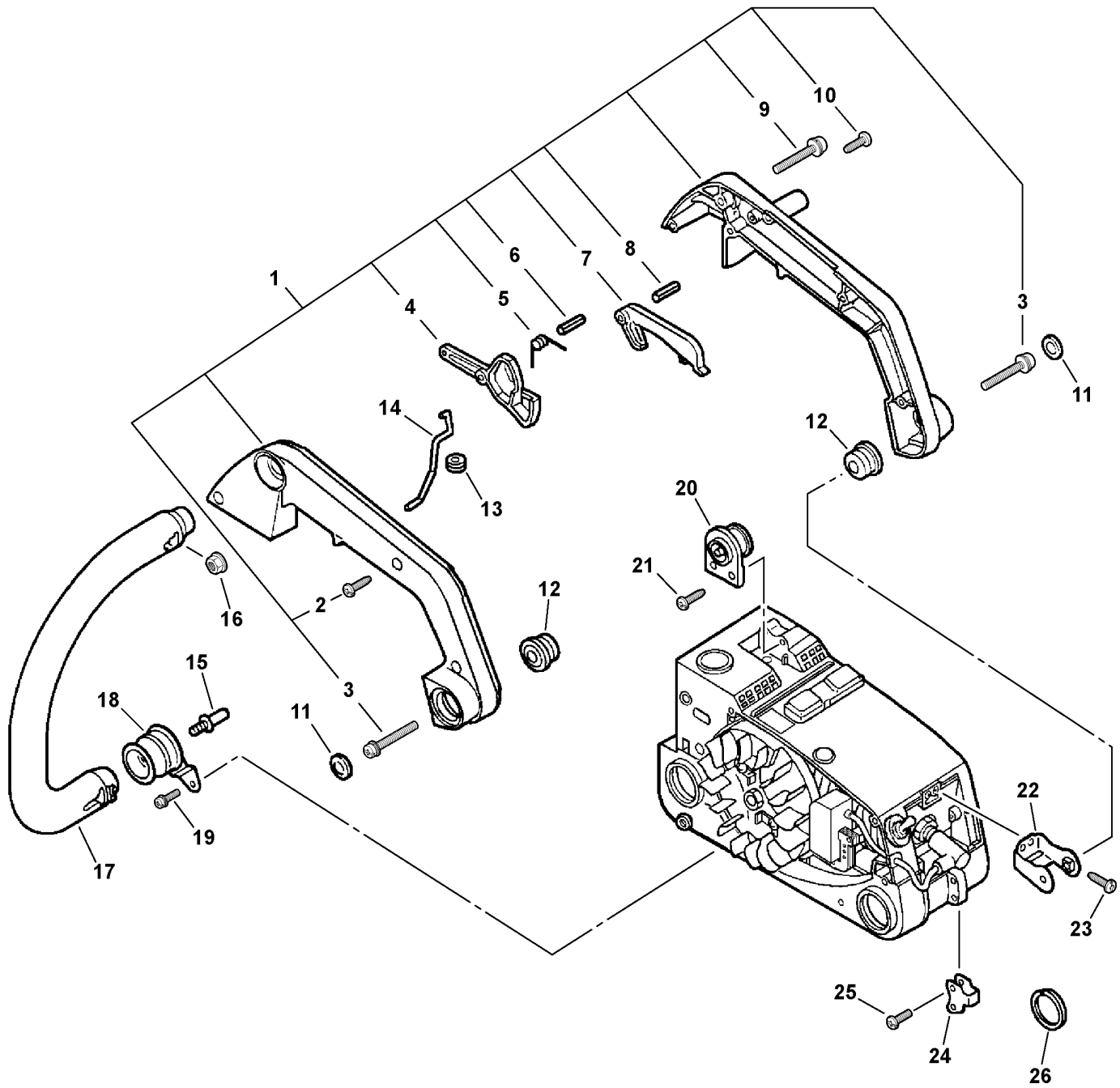
**Clutch**

ITEM	PART NUMBER	QTY	DESCRIPTION	REMARKS
1	A056000070	1	CLUTCH ASY	INCLUDES ITEMS 2-4
2	A552000020	1	HUB, CLUTCH	
3	P021005810	1	CLUTCH SHOE SET	
4	V451000470	3	SPRING, CLUTCH	
5	A551000010	1	PLATE, CLUTCH	
6	17500539132	1	DRUM, CLUTCH	
7	17501235630	1	BEARING, NEEDLE	
8	17501439131	1	WASHER, CLUTCH	



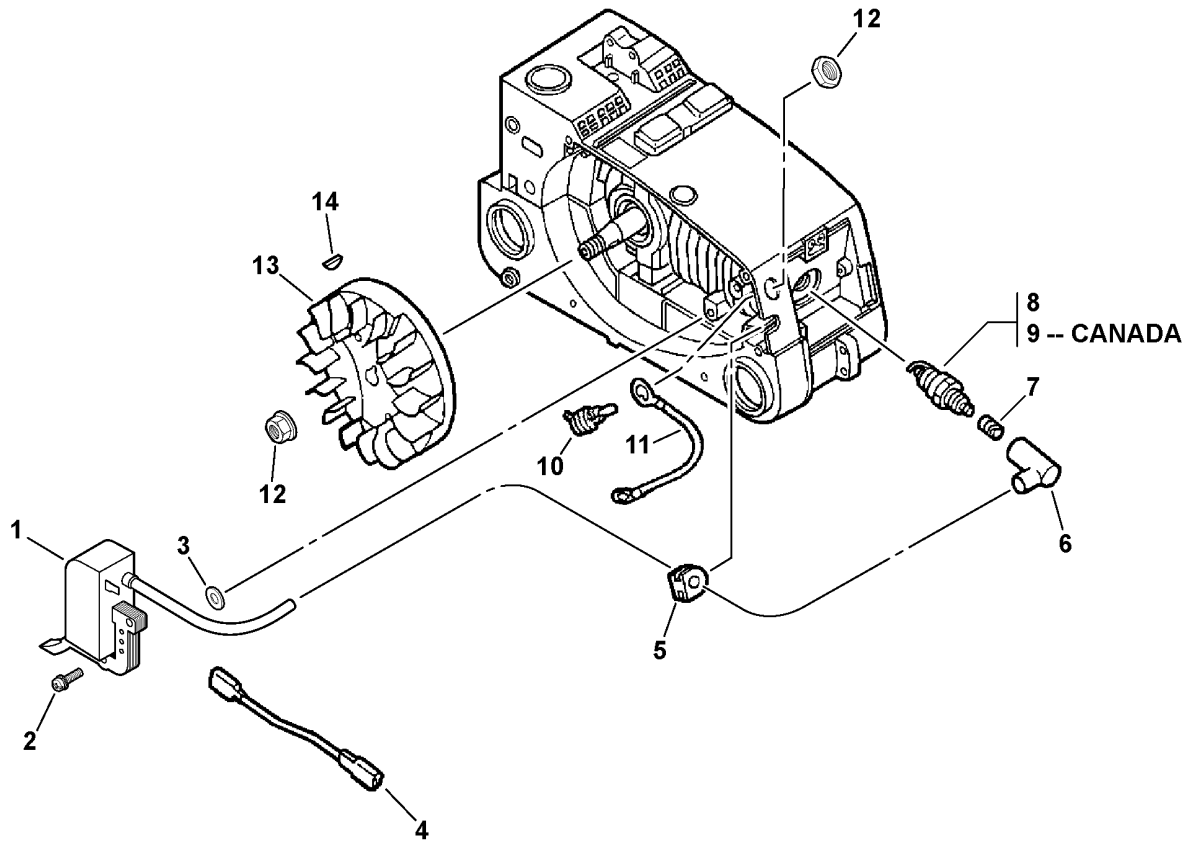
017 0002 ORG

ITEM	PART NUMBER	QTY	DESCRIPTION	REMARKS
1	43700239130	1	AUTO-OILER ASY	INCLUDES ITEMS 2-8
2	12312715030	1	RING	
3	43701938330	1	SPRING	
4	43702437330	1	PLUNGER	
5	43706237330	1	CAP, OIL PUMP	
6	43701537330	1	SPRING	
7	43702937330	1	WASHER	
8	43701639130	1	NEEDLE, ADJUST	
9	90023505012	2	SCREW 5X12	
10	43706338330	1	GEAR, WORM	
11	13201326630	1	CLIP	
12	43720139131	1	PIPE KIT, OIL	INCLUDES ITEMS 13-14
13	43724439130	1	PAD, FORM	
14	43721139133	1	PIPE	
15	V471000110	1	PIPE, VENT - 3X6X115mm	REPOWER BULK OPTION: 90015
16	V137000010	1	GROMMET	
17	43620502832	1	STRAINER, OIL	
18	10404439130	1	COVER, BOTTOM - ORANGE	
19	90025604016	1	SCREW 4X16	
20	43611413930	1	VALVE, CHECK	
21	12318139130	1	PUMP, PRIMER	
22	13275839131	1	BRACKET, PUMP	
23	V471001200	1	PIPE, 3X5X70mm	REPOWER BULK OPTION: 90014
24	13271639130	1	PIPE, 2X4X42mm	REPOWER BULK OPTION: 90018
25	13211539130	1	GROMMET, FUEL	
26	13201239130	1	PIPE, 3X6X160mm	REPOWER BULK OPTION: 90015
27	13201326630	1	CLIP	
28	13120514930	1	STRAINER, FUEL	
29	A356000030	1	VENT ASY	
30	13132839130	1	COVER, VENT	
31	13201004920	1	PIPE, FUEL 3X5X150mm	REPOWER BULK OPTION: 90014
32	13033639530	1	PLUG	
33	P021011590	2	CAP ASY - BLACK	INCLUDES ITEMS 35-36
34	A365000050	2	RETAINER, CAP	
35	90072100025	2	O-RING 25	



012 0004 000

ITEM	PART NUMBER	QTY	DESCRIPTION	REMARKS
1	35110039131	1	HANDLE SET - REAR	INCLUDES ITEMS 2-10
2	90025604016	3	SCREW 4X16	
3	90023804010	2	SCREW 4X10	
4	17801039131	1	CONTROL, THROTTLE	
5	17804339131	1	SPRING, THROTTLE RETURN	
6	90034540025	1	SPRING PIN	
7	17809039130	1	LOCKOUT, THROTTLE	
8	90034540020	1	SPRING PIN 4X20	
9	90023805035	1	SCREW 5X35	
10	90023805014	1	SCREW 5X14	
11	10091815130	2	CAP	
12	10092139130	2	CUSHION	
13	17821039130	1	GROMMET, THROTTLE	
14	17801139131	1	ROD, THROTTLE	
15	10091533930	1	SCREW	
16	90051600005	1	FLANGE NUT 5	
17	35161039130	1	HANDLE, FRONT	
18	10091035630	1	CUSHION	
19	90025604016	1	SCREW 4X16	
20	10090739131	1	CUSHION	
21	90025304014	2	SCREW 4X14	
22	35112339131	1	SUPPORTER	
23	90025304014	2	SCREW 4X14	
24	30031439130	1	FIXTURE, HARNESS	
25	90023804016	2	SCREW 4X16	
26	30101652730	1	RING, HARNESS	

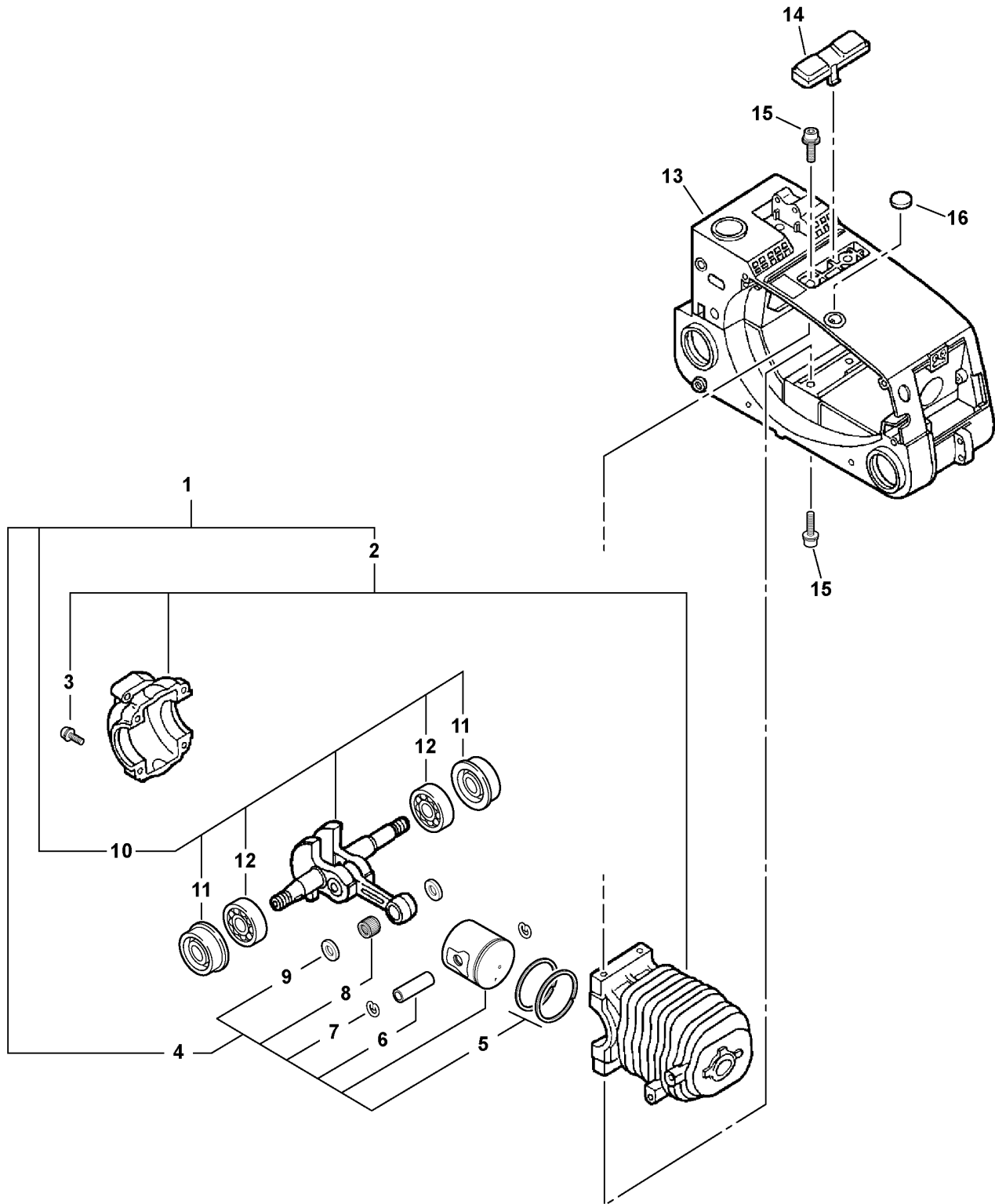


018 0003 000

ITEM	PART NUMBER	QTY	DESCRIPTION	REMARKS
1	A411000150	1	COIL, IGNITION	
2	90023805022	2	SCREW 5X22	
3	15011716430	2	SPACER	
4	16201039430	1	LEAD, IGNITION	
5	15611004920	1	BUSHING	
6	15901201620	1	CAP, SPARK PLUG	
7	15901103432	1	TERMINAL, SPARK PLUG CAP	
8	15901019830	1	SPARK PLUG -- BPM-8Y	
9	A425000000	1	SPARK PLUG -- BPMR-8Y <sup>1</sup>	
10	16340019830	1	SWITCH, IGNITION	
11	16201039131	1	LEAD, GROUND	
12	90051500008	1	FLANGE NUT 8	
13	A409000142	1	FLYWHEEL	
14	10014239130	1	WOODRUFF KEY	

**Footnotes**

1: CANADA MODELS



SB1069 0000 ORG



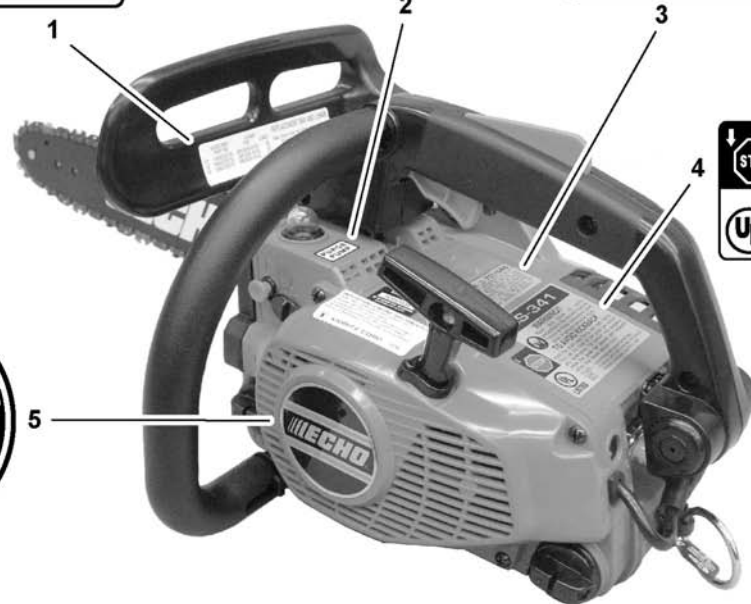
ITEM	PART NUMBER	QTY	DESCRIPTION	REMARKS
1	SB1069	1	SHORT BLOCK	INCLUDES ITEMS 2-12
2	-----	1	CRANKCASE SET	INCLUDES ITEM 3
3	90023805025	4	SCREW 5X25	
4	P021002271	1	PISTON KIT	INCLUDES ITEMS 5-9
5	A101000060	2	RING, PISTON	
6	10001315330	1	PIN, PISTON	
7	10001504630	2	CIRCLIP, PISTON PIN	
8	17501203930	1	BEARING, NEEDLE	
9	10001411520	2	SPACER, PISTON PIN	
10	-----	1	CRANKSHAFT ASY	INCLUDES ITEMS 11-12
11	V505000010	2	OIL SEAL	
12	9403536201	2	BEARING, BALL - 6201	
13	A190000640	1	COVER, ENGINE - ORANGE	
14	10402939130	1	COVER, TOP - ORANGE	
15	9111005016	4	SCREW 5X16	
16	16391139130	1	PLUG	

REPLACEMENT BAR AND CHAIN			
GUIDE BAR	CHAIN	LINKS	
PART NO.	TYPE		
12" 12A0C03745	OREGON 91VG	46	Note: There may be other replacement components for achieving kickback protection. For details, please refer to the bar and chain combination sheet shown in the instruction manual.
14" 14A0C03752	OREGON 91VG	52	
16" 16A0C03757	OREGON 91VG	57	

**PURGE PUMP**

**ADVERTENCIA PELIGRO**  
 Esta unidad puede ser peligrosa y producir lesiones personales graves si no se usa en forma adecuada. Para reducir el riesgo de lesiones, los operadores, los ayudantes y los espectadores deben leer y comprender el Manual Del Operador y los Manuales e guridad que se entregan escritos en español.

**CS-341**  
**WARNING!**  
 Read and follow all safety precautions in safety manual.  
 Failure to follow instructions could result in serious personal injury.  
**TO AVOID KICKBACK**  
 Hold the chain saw firmly with both hands. Don't let the nose of the guide bar contact any obstruction. Tip contact may suddenly move the guide bar upward and backward which may cause serious injury.  
 LISTED IN ACCORDANCE WITH AMERICAN NATIONAL STANDARD SAFETY SPECIFICATIONS FOR GASOLINE POWERED CHAINSAWS (ANSI B 175.1-1991)



1590101830  
 NOK: EPMET



**ECHO**  
**CS-341**



**WARNING**  
 Chain brake must be unlocked before removing or installing clutch cover. Improper installation can result in serious injury and cause severe damage to saw.  
 La fobortis nisl ut aliquip ex. elit, sed nonummy neuismod tincidunt ut laoreet doloremagna aliquam erat volutpat. Ut wisi enim ad minim veniam, quis nostrud exerci tation ullamcorperquis nostrud exercic.



100 0006 0US

**CS-341 Chain Saw**

**Labels**

ITEM	PART NUMBER	QTY	DESCRIPTION	REMARKS
1	X524000792	1	LABEL - BAR & CHAIN	
2	89016739230	1	LABEL - PURGE PIMP	
3	89022839131	1	LABEL - WARNING -- SPANISH	
4	X524000333	1	LABEL - WARNING -- KICKBACK	
5	89011849330	1	LABEL - ECHO	
6	X532000671	1	LABEL - SPARK PLUG -- BPM-8Y	
7	X503001480	1	LABEL - MODEL -- CS-341	
8	89016006361	1	LABEL - CAUTION -- HOT	
9	X505002060	1	LABEL - WARNING -- CHAINBRAKE	

<b>RePower Tune-Up Kit</b>	<b>Contains: Service Number</b>	<b>Description</b>
90076	13031039132	AIR FILTER
	13120507320	FUEL FILTER
	15901019830	SPARK PLUG -- BPM-8Y

---

<u>ITEM</u>	<u>PART NUMBER</u>	<u>QTY</u>	<u>DESCRIPTION</u>	<u>REMARKS</u>
1	90076	1	TUNE-UP KIT	

---

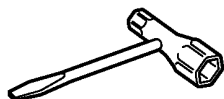
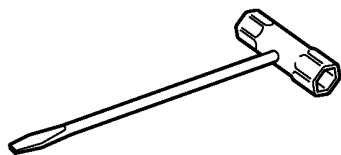
**WRENCH W/SCREWDRIVER (Also Remove Spark Plugs)**

1 - 89541010630 -- 17X19mm

2 - X602000020 -- 17X19mm

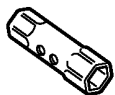
3 - 89541039131 -- 10X19mm

4 - 89541006960 -- 13X19mm



**BOX WRENCH**

5 - X602000031 -- 17X14.5mm



**LOCKING BAR**

6 - 89751801131 -- 5X120mm



**SPANNER**

7 - 89511200330 -- 8X10mm

8 - 89512220960 -- 17X19mm



9 - 89501505260 -- 10mm



**HEX BAR**

10 - 89541220960 -- 10mm



**L-WRENCH**

11 - 89561203430 -- 3mm



12 - 89561000130 -- 4mm

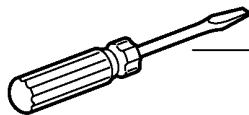


13 - 89561100330 -- 5mm

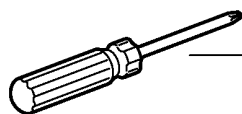


**SCREWDRIVER**

14 - 89581100130 -- 125mm



15 - 89581203930 -- 50mm



200 0001 000

ITEM	PART NUMBER	QTY	DESCRIPTION	REMARKS
1	89541010630	1	WRENCH/SCREWDRIVER -- 17X19mm	
2	X602000020	1	WRENCH/SCREWDRIVER -- 17X19mm	
3	89541039131	1	WRENCH/SCREWDRIVER -- 10X19mm	
4	89541006960	1	WRENCH/SCREWDRIVER -- 13X19mm	
5	X602000031	1	BOX WRENCH -- 17X14.5mm	
6	89751801131	1	LOCKING BAR -- 5X120mm	
7	89511200330	1	SPANNER -- 8X10mm	
8	89512220960	1	SPANNER -- 17X19mm	
9	89501505260	1	SPANNER -- 10mm	
10	89541220960	1	HEX BAR -- 10mm	
11	89561203430	1	L-WRENCH -- 3mm	
12	89561000130	1	L-WRENCH -- 4mm	
13	89561100330	1	L-WRENCH -- 5mm	
14	89581100130	1	SCREWDRIVER -- 125mm	
15	89581203930	1	SCREWDRIVER -- 50mm	



# Part Number Index

Click The Page Number After Any Part Number To View The Diagram Containing That Part.

Part Number	Page	Part Number	Page	Part Number	Page	Part Number	Page
-----	7, 9, 25	17722039630	5	90023805035	21	X505002060	27
10001315330	25	17722139630	5	90023805045	7	X524000333	27
10001411520	25	17722606530	5	90025005018	7	X524000792	27
10001504630	25	17722739131	5	90025304010	15	X532000671	27
10014239130	23	17722835430	5	90025304012	15	X602000020	31
10090739131	21	17723435430	5	90025304014	5, 21	X602000031	31
10091035630	21	17724704630	5	90025305020	11, 15		
10091533930	21	17801039131	21	90025604016	5, 19, 21		
10091815130	21	17801139131	21	90029603014	5		
10092139130	21	17804339131	21	90033040088	15		
10153439530	5	17809039130	21	90033040238	15		
10402939130	25	17821039130	21	90034225012	15		
10403439130	7	17851039230	7	90034540020	21		
10404439130	19	17851539130	7	90034540025	21		
12310037330	9	17851603930	7	90050000004	15		
12310105960	9	17881039630	7	90051500008	23		
12311003930	9	2894901	13	90051600005	21		
12311347530	9	30031439130	21	90056200005	15		
12311438830	9	30101652730	21	90060300005	5		
12311605230	9	35110039131	21	90070000004	7		
12311739530	9	35112339131	21	90072100025	19		
12311839231	9	35161039130	21	90076	29		
12312043131	9	43301239131	15	9110705045	11		
12312409320	9	43301903933	15	9111005016	25		
12312715030	9, 19	43302635430	15	9131805032	15		
12313002960	9	43311439130	15	9136704010	11		
12313311130	9	43311635430	15	91VG45G	13		
12313419730	9	43312235430	15	91VG52G	13		
12313609660	9	43312339530	15	91VG57G	13		
12314203930	9	43314235430	15	9403536201	25		
12315039230	9	43316739130	15	A021000231	9		
12318139130	19	43317139630	15	A056000070	17		
12318509660	9	43320835431	15	A101000060	25		
12318609660	9	43320935430	15	A190000640	25		
12901139130	7	43331232630	15	A300000120	11		
12902339131	7	43611413930	19	A303000010	11		
12A0CD3745	13	43620502832	19	A320000033	11		
12A0ZD3745	13	43700239130	19	A356000030	19		
13001239131	7	43701537330	19	A365000050	19		
13030239136	7	43701639130	19	A409000142	23		
13031039132	7	43701938330	19	A411000150	23		
13033639530	19	43702437330	19	A425000000	23		
13040613933	7	43702937330	19	A500000460	5		
13120514930	19	43706237330	19	A506000090	5		
13132839130	19	43706338330	19	A551000010	17		
13201004920	19	43720139131	19	A552000020	17		
13201239130	19	43721139133	19	C300000340	15		
13201326630	19	43724439130	19	C309000030	15		
13211539130	19	89011849330	5, 27	C320000120	15		
13271639130	19	89016006361	27	C345000230	15		
13275839131	19	89016739230	27	P003000010	9		
14551013931	11	89022839131	27	P021002271	25		
14564213930	11	89501505260	31	P021004590	7		
14586213931	11	89511200330	31	P021005810	17		
14A0CD3752	13	89512220960	31	P021011560	5		
14A0ZD3752	13	89541006960	31	P021011570	15		
15011716430	23	89541010630	31	P021011590	19		
15611004920	23	89541039131	31	SB1069	25		
15901019830	23	89541220960	31	V103000021	7		
15901103432	23	89561000130	31	V103000120	7		
15901201620	23	89561100330	31	V104000140	11		
16201039131	23	89561203430	31	V137000010	19		
16201039430	23	89581100130	31	V203000041	15		
16340019830	23	89581203930	31	V224000030	15		
16391139130	25	89751801131	31	V341000000	15		
16A0CD3757	13	90021605012	5	V355000140	15		
16A0ZD3757	13	90023505012	19	V451000470	17		
17500539132	17	90023804010	21	V471000110	19		
17501203930	25	90023804016	21	V471001200	19		
17501235630	17	90023804020	15	V505000010	25		
17501439131	17	90023805014	21	V651000001	15		
17721404630	5	90023805022	23	V651000011	15		
17721835631	5	90023805025	25	X503001480	27		





# Part Description Index

Click The Page Number After Any Part Description To View The Diagram Containing That Part.

<p><b>A</b></p> <p>ADJUSTER, BRAKE.....15                  AIR CLEANER COVER ASY.....7                  AUTO-OILER ASY.....19</p> <p><b>B</b></p> <p>BALL.....9                  BAND, BRAKE.....15                  BEARING, BALL - 6201.....25                  BEARING, NEEDLE.....17, 25                  BODY, CARBURETOR.....9                  BOLT 5.....15                  BOX WRENCH -- 17X14.5mm.....31                  BRACKET, PUMP.....19                  BUSHING.....23</p> <p><b>C</b></p> <p>CAP.....21                  CAP ASY - BLACK.....19                  CAP, MIXTURE LIMITER.....9                  CAP, OIL PUMP.....19                  CAP, SPARK PLUG.....23                  CARBURETOR.....7                  CARBURETOR -- WT-589A.....9                  CATCHER, CHAIN.....15                  CHAIN BRAKE ASY.....15                  CIRCLIP, PISTON PIN.....25                  CLIP.....19                  CLIP, THROTTLE SHAFT.....9                  CLUTCH ASY.....17                  CLUTCH SHOE SET.....17                  COIL, IGNITION.....23                  COLLAR.....15                  CONNECTOR, BRAKE.....15                  CONTROL, THROTTLE.....21                  COVER, BOTTOM - ORANGE.....19                  COVER, BRAKE - ORANGE.....15                  COVER, ENGINE - ORANGE.....25                  COVER, FUEL PUMP.....9                  COVER, METERING DIAPHRAGM.....9                  COVER, MUFFLER.....11                  COVER, SEAL.....15                  COVER, TOP - ORANGE.....25                  COVER, VENT.....19                  CRANKCASE SET.....25                  CRANKSHAFT ASY.....25                  CUSHION.....21</p> <p><b>D</b></p> <p>DEFLECTOR, HEAT.....15                  DIAPHRAGM, FUEL PUMP.....9                  DIAPHRAGM, METERING.....9                  DIAPHRAGM/GASKET KIT.....9                  DRUM, CLUTCH.....17</p> <p><b>E</b></p> <p>E-RING 4.....7                  EYE PLATE.....11</p> <p><b>F</b></p> <p>FILTER, AIR.....7                  FIXTURE, HARNESS.....21</p>	<p>FLANGE BOLT.....11                  FLANGE NUT 5.....21                  FLANGE NUT 6.....15                  FLANGE NUT 8.....23                  FLYWHEEL.....23</p> <p><b>G</b></p> <p>GASKET, EXHAUST.....11                  GASKET, FUEL PUMP.....9                  GASKET, INTAKE.....7                  GASKET, METERING DIAPHRAGM.....9                  GASKET, MUFFLER.....11                  GEAR, BEVEL.....15                  GEAR, WORM.....19                  GRIP, STARTER.....5                  GROMMET.....19                  GROMMET, CHOKE.....7                  GROMMET, FUEL.....19                  GROMMET, IDLE.....7                  GROMMET, THROTTLE.....21                  GUARD, SPROCKET - ORANGE.....15                  GUIDE BAR - 12".....13                  GUIDE BAR - 12" -- Intenz.....13                  GUIDE BAR - 14".....13                  GUIDE BAR - 14" -- Intenz.....13                  GUIDE BAR - 16".....13                  GUIDE BAR - 16" -- Intenz.....13                  GUIDE, EXHAUST.....11                  GUIDE, ROPE.....5</p> <p><b>H</b></p> <p>HANDLE SET - REAR.....21                  HANDLE, FRONT.....21                  HEX BAR -- 10mm.....31                  HOUSING, STARTER - ORANGE.....5                  HUB, CLUTCH.....17</p> <p><b>I</b></p> <p>INSULATOR KIT.....7</p> <p><b>K</b></p> <p>KICK GUARD KIT.....13</p> <p><b>L</b></p> <p>LABEL - BAR &amp; CHAIN.....27                  LABEL - CAUTION -- HOT.....27                  LABEL - ECHO.....27                  LABEL - MODEL -- CS-341.....27                  LABEL - PURGE PIMP.....27                  LABEL - SPARK PLUG -- BPM-8Y.....27                  LABEL - WARNING -- CHAINBRAKE.....27                  LABEL - WARNING -- KICKBACK.....27                  LABEL - WARNING -- SPANISH.....27                  LABEL, ECHO.....5                  LEAD, GROUND.....23                  LEAD, IGNITION.....23                  LEVER, BRAKE - BLACK.....15                  LEVER, METERING.....9                  LEVER, THROTTLE.....9                  LOCKING BAR -- 5X120mm.....31                  LOCKNUT.....15                  LOCKOUT, THROTTLE.....21                  L-WRENCH -- 3mm.....31                  L-WRENCH -- 4mm.....31</p>	<p>L-WRENCH -- 5mm.....31</p> <p><b>M</b></p> <p>MUFFLER.....11</p> <p><b>N</b></p> <p>NEEDLE - HIGH SPEED.....9                  NEEDLE - LOW SPEED.....9                  NEEDLE, ADJUST.....19                  NUT 4.....15</p> <p><b>O</b></p> <p>OIL SEAL.....25                  O-RING 25.....19</p> <p><b>P</b></p> <p>PAD, FORM.....19                  PAWL, STARTER.....5                  PIN, METERING LEVER.....9                  PIN, PISTON.....25                  PIPE.....19                  PIPE KIT, OIL.....19                  PIPE, 2X4X42mm.....19                  PIPE, 3X5X70mm.....19                  PIPE, 3X6X160mm.....19                  PIPE, FUEL 3X5X150mm.....19                  PIPE, VENT - 3X6X115mm.....19                  PISTON ASY.....9                  PISTON KIT.....25                  PLATE, CLUTCH.....17                  PLATE, GUIDE.....5, 15                  PLATE, PREVENT.....7                  PLATE, STARTER.....5                  PLUG.....7, 19, 25                  PLUG, WELCH.....9                  PLUNGER.....19                  PUMP, PRIMER.....19</p> <p><b>R</b></p> <p>REEL, ROPE.....5                  REPAIR KIT.....9                  RETAINER, CAP.....19                  RING.....19                  RING, HARNESS.....21                  RING, PISTON.....25                  ROD, CHOKE.....7                  ROD, THROTTLE.....21                  ROLLER, 4X23.8.....15                  ROLLER, 4X8.8.....15                  ROPE, STARTER - 3X850mm.....5</p> <p><b>S</b></p> <p>SAWING CHAIN - 12" -- XtraGUARD.....13                  SAWING CHAIN - 14" -- XtraGUARD.....13                  SAWING CHAIN - 16" -- XtraGUARD.....13                  SCREEN, INLET.....9                  SCREEN, MUFFLER.....11                  SCREW.....21                  SCREW 3X14.....5                  SCREW 4X10.....11, 15, 21                  SCREW 4X12.....15                  SCREW 4X14.....5, 21                  SCREW 4X16.....5, 19, 21</p>
-----------------------------------------------------------------------------------------------------------------------------------------------------------------------------------------------------------------------------------------------------------------------------------------------------------------------------------------------------------------------------------------------------------------------------------------------------------------------------------------------------------------------------------------------------------------------------------------------------------------------------------------------------------------------------------------------------------------------------------------------------------------------------------------------------------------------------------------------------------------------------------------------------------------------------------------------------------------------------------------------------------------------------------------------------------------------------------------------------------------------------------------------------------------------------------------------------------------------------------------------------------------------------------------------------------------------------------------------------------------------------------------------------------------------------------------------------------------------------------------------------------------------------------------------------------------------------------------------------------------------------------------------------------------------------------------------------------------------------------------------------------------------------------------------------------------------------------------------------------------------------------------------------------------------------------------------------------------------------------------------------------------------------------------------------------------------------------------------------------------------------------------------------------------------------------------------------------------------------------------------------------------------------------------------------------	---------------------------------------------------------------------------------------------------------------------------------------------------------------------------------------------------------------------------------------------------------------------------------------------------------------------------------------------------------------------------------------------------------------------------------------------------------------------------------------------------------------------------------------------------------------------------------------------------------------------------------------------------------------------------------------------------------------------------------------------------------------------------------------------------------------------------------------------------------------------------------------------------------------------------------------------------------------------------------------------------------------------------------------------------------------------------------------------------------------------------------------------------------------------------------------------------------------------------------------------------------------------------------------------------------------------------------------------------------------------------------------------------------------------------------------------------------------------------------------------------------------------------------------------------------------------------------------------------------------------------------------------------------------------------------------------------------------------------------------------------------------------------------------------------------------------------------------------------------------------------------------------------------------------------------------------------------------------------------------------------------------------------------------------------------------------------------------------------------------------------------------------------------------------------------------------------------------------------------------------------------------------------------------------------------------------------------------------------------------------------------------------------------------------------------------------------------------------------------------------------------------------------------------	-----------------------------------------------------------------------------------------------------------------------------------------------------------------------------------------------------------------------------------------------------------------------------------------------------------------------------------------------------------------------------------------------------------------------------------------------------------------------------------------------------------------------------------------------------------------------------------------------------------------------------------------------------------------------------------------------------------------------------------------------------------------------------------------------------------------------------------------------------------------------------------------------------------------------------------------------------------------------------------------------------------------------------------------------------------------------------------------------------------------------------------------------------------------------------------------------------------------------------------------------------------------------------------------------------------------------------------------------------------------------------------------------------------------------------------------------------------------------------------------------------------------------------------------------------------------------------------------------------------------------------------------------------------------------------------------------------------------------------------------------------------------------------------------------------------------------------------------------------------------------------------------------------------------------------------------------------------------------------------------------------------------------------------------------------------------------------------------------------------------------------------------------------------------------------------------------------------------------------------------------



# Part Description Index (continued)

SCREW 4X20.....15  
 SCREW 5X12.....5, 19  
 SCREW 5X14.....21  
 SCREW 5X16.....25  
 SCREW 5X18.....7  
 SCREW 5X20.....11, 15  
 SCREW 5X22.....23  
 SCREW 5X25.....25  
 SCREW 5X32.....15  
 SCREW 5X35.....21  
 SCREW 5X45.....7  
 SCREW, DIAPHRAGM COVER.....9  
 SCREW, IDLE ADJUST.....9  
 SCREW, METERING LEVER PIN.....9  
 SCREW, PUMP COVER.....9  
 SCREW, THROTTLE LEVER.....9  
 SCREW, THROTTLE VALVE.....9  
 SCREWDRIVER -- 125mm.....31  
 SCREWDRIVER -- 50mm.....31  
 SEAL.....7  
 SHAFT, THROTTLE.....9  
 SHORT BLOCK.....25  
 SHUTTER, CHOKE.....7  
 SPACER.....5, 15, 23  
 SPACER 8.....15  
 SPACER, PISTON PIN.....25  
 SPANNER -- 10mm.....31  
 SPANNER -- 17X19mm.....31  
 SPANNER -- 8X10mm.....31  
 SPARK PLUG -- BPM-8Y.....23  
 SPARK PLUG -- BPMR-8Y.....23  
 SPRING.....15, 19  
 SPRING PIN.....15, 21  
 SPRING PIN 4X20.....21  
 SPRING, BRAKE.....15  
 SPRING, CLUTCH.....17  
 SPRING, IDLE ADJUST.....9  
 SPRING, METERING LEVER.....9  
 SPRING, RETURN.....5  
 SPRING, REWIND.....5  
 SPRING, START VALVE.....9  
 SPRING, THROTTLE RETURN.....9, 21  
 STARTER ASY.....5  
 STOPPER, BRAKE.....15  
 STRAINER, FUEL.....19  
 STRAINER, OIL.....19  
 STUD, GUIDE BAR.....15  
 SUPPORTER.....21  
 SWITCH, IGNITION.....23

WOODRUFF KEY.....23  
 WRENCH/SCREWDRIVER -- 10X19mm.....31  
 WRENCH/SCREWDRIVER -- 13X19mm.....31  
 WRENCH/SCREWDRIVER -- 17X19mm.....31

## T

TENSIONER, CHAIN.....15  
 TERMINAL, SPARK PLUG CAP.....23  
 THUMB BOLT.....7  
 TUNE-UP KIT.....29

## V

VALVE, CHECK.....19  
 VALVE, INLET NEEDLE.....9  
 VALVE, THROTTLE.....9  
 VENT ASY.....19

## W

WASHER.....5, 7, 19  
 WASHER 5.....5  
 WASHER, CLUTCH.....17  
 WEIGHT, BRAKE.....15

## **NOTES**



**ECHO, INCORPORATED**

400 Oakwood Road  
Lake Zurich, IL 60047 USA

[WWW.ECHO-USA.COM](http://WWW.ECHO-USA.COM)

---