



OPTIONAL ATTACHMENTS & ACCESSORIES

Accessories

89850308032 Bar & Chain Cover - 17"

99988800307 Debris Shield

99988800309 CS Lanyard Strap w_Snap

Guide Bars

12A0ED3745 Guide Bar - 12" (.050" Ga) -- Pro-91

14A0ED3752 Guide Bar - 14" (.050" Ga) -- Pro-91

16A0ED3757 Guide Bar - 16" (.050" Ga) -- Pro-91

Sawing Chains

91VG45G Sawing Chain - 12" (.050" Ga) --
XtraGUARD

91VG52G Sawing Chain - 14" (.050" Ga) --
XtraGUARD

91VG57G Sawing Chain - 16" (.050" Ga) --
XtraGUARD

PARTS CATALOG

CS-360T Chain Saw

36.3cc

SERIAL NUMBERS

S/N: 09001001 - 09999999

ECHO, INCORPORATED

400 Oakwood Road Lake Zurich, Illinois 60047 USA

WWW.ECHO-USA.COM

99922203806_09

REVISED 04/09/09



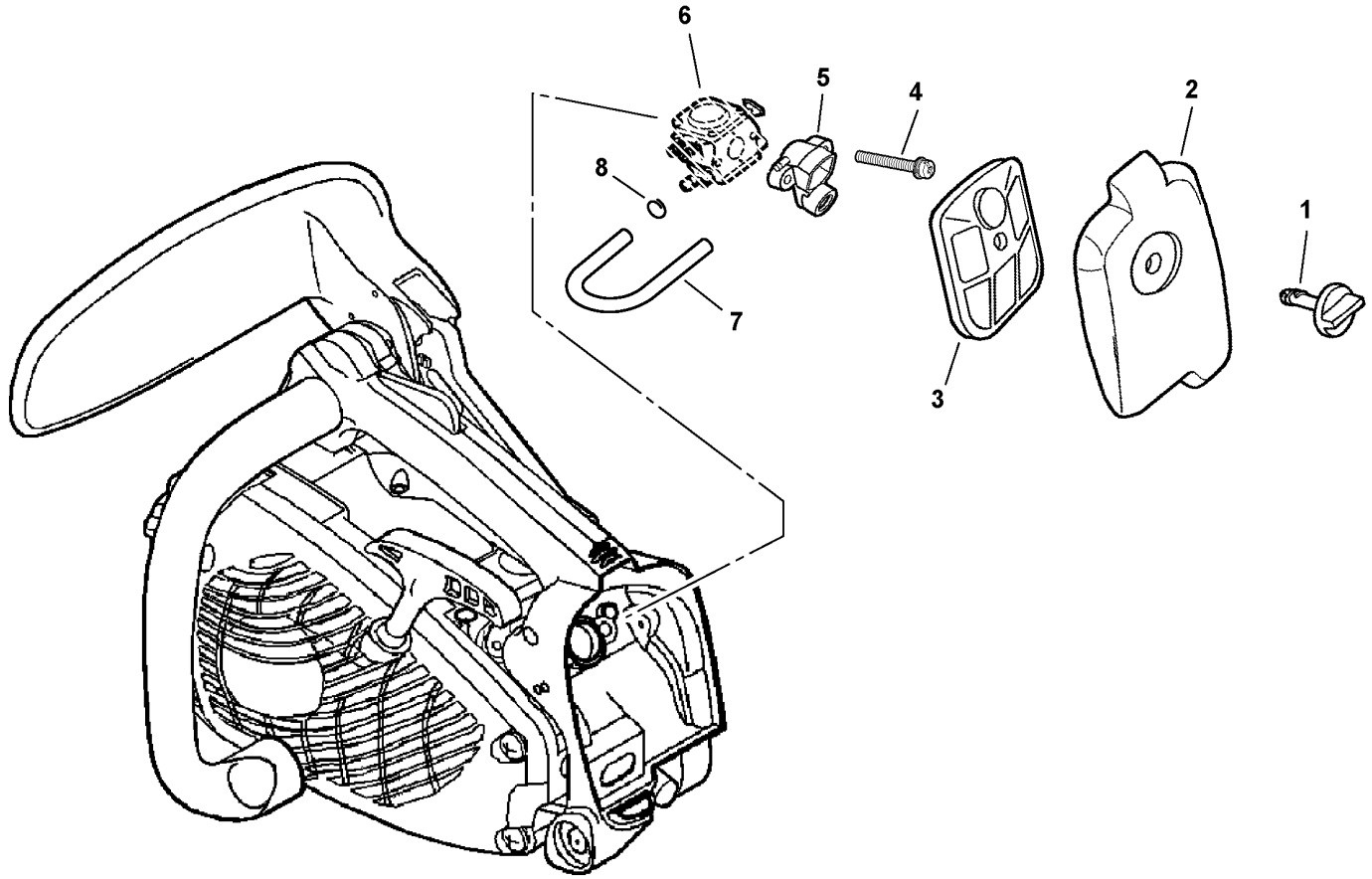
Table of Contents

Click Any Diagram Description Below To View That Diagram.

CS-360T S/N: 09001001 - 09999999

Intake S/N: 09001001 - 09006448.....	4
Intake S/N: 09006449 - 09999999.....	6
Carburetor -- WT-728.....	8
Guide Bar, Sawing Chain, Kick Guard.....	10
Chain Brake.....	12
Clutch.....	14
Exhaust.....	16
Handles, Throttle Control.....	18
Starter.....	20
Fuel System, Auto-Oiler S/N: 09001001 - 09020623.....	22
Fuel System, Auto-Oiler S/N: 09020624 - 09999999.....	24
Ignition.....	26
Engine, Short Block -- SB1086.....	28
Labels.....	30
RePower Tune-Up Kit.....	32
Tools.....	34
Part Number Index.....	36
Part Description Index.....	37

This Page Intentionally Left Blank

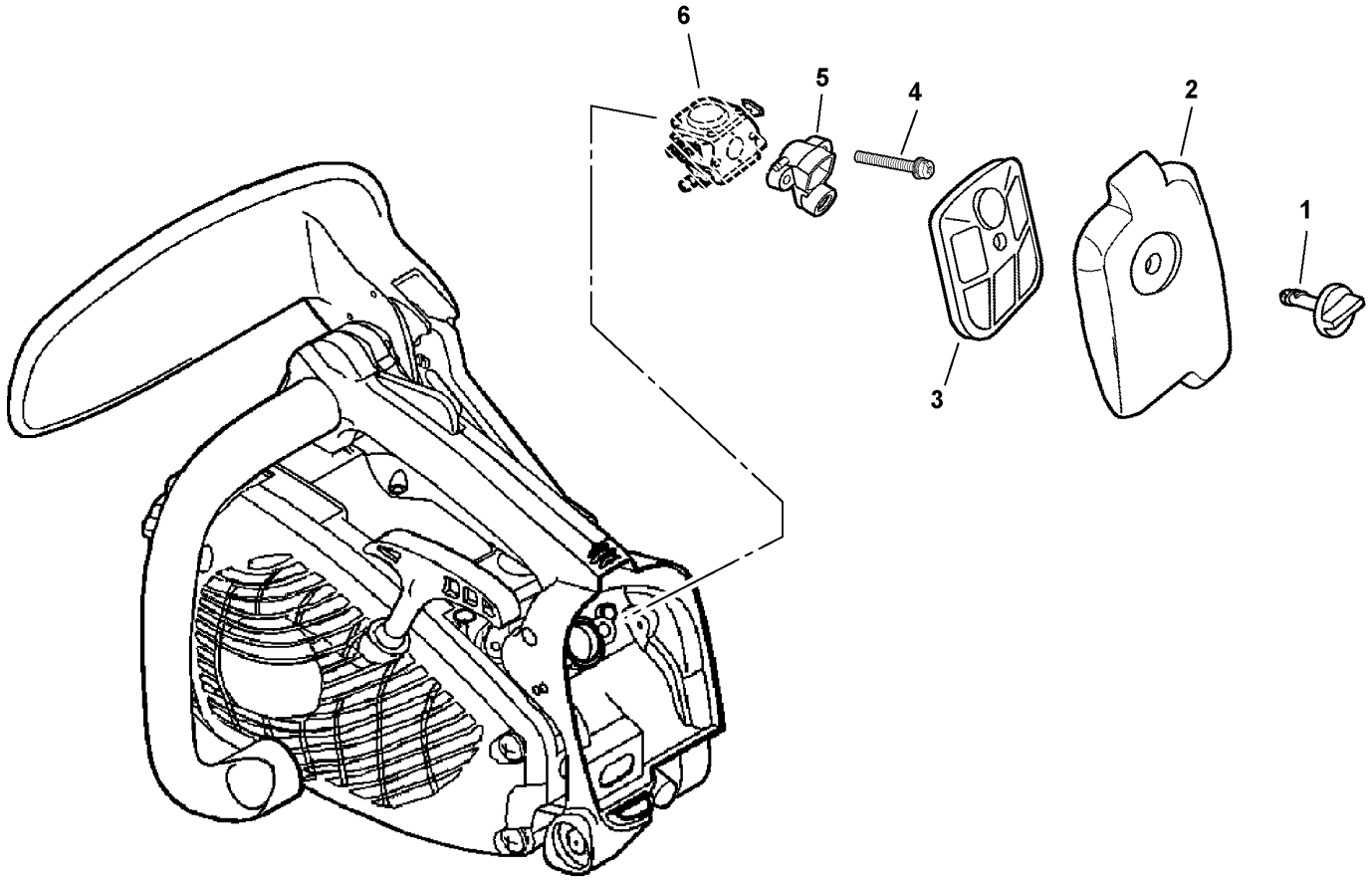


010 0006 00B

ITEM	PART NUMBER	QTY	DESCRIPTION	REMARKS
1	A235000040	1	KNOB, AIR CLEANER LID	
2	A232000290	1	LID, AIR CLEANER	
3	A226000291	1	FILTER, AIR ¹	
4	90023805050	2	SCREW 5X50	
5	A204000072	1	ELBOW, CARBURETOR	
6	-----	1	CARBURETOR ²	
7	V471001500	1	PIPE ¹	
8	13201309820	1	CLIP	

Footnotes

- 1:** Also Included In REPOWER TUNE-UP KIT
- 2:** See Carburetor Diagram For Additional Information

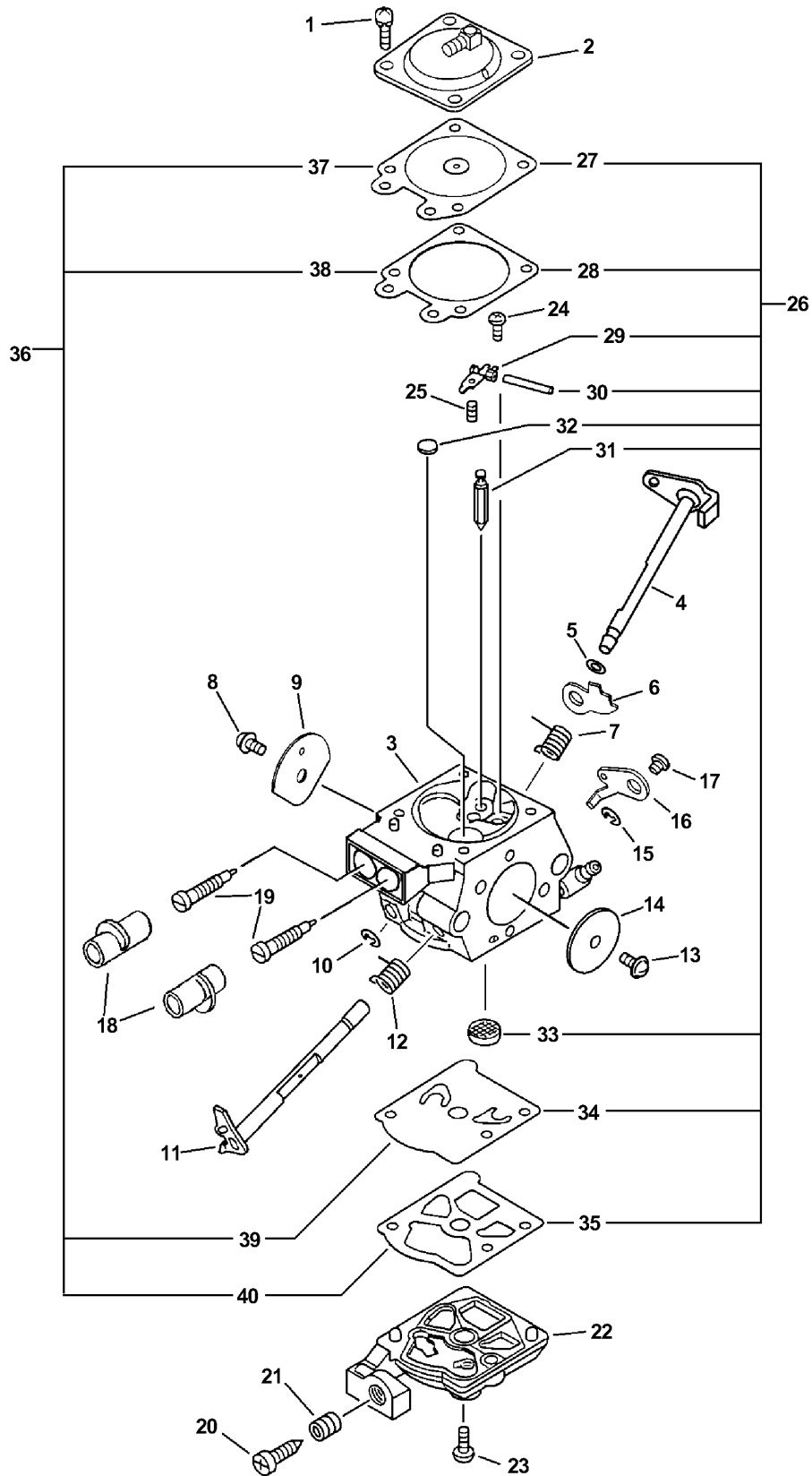


010 0006 000

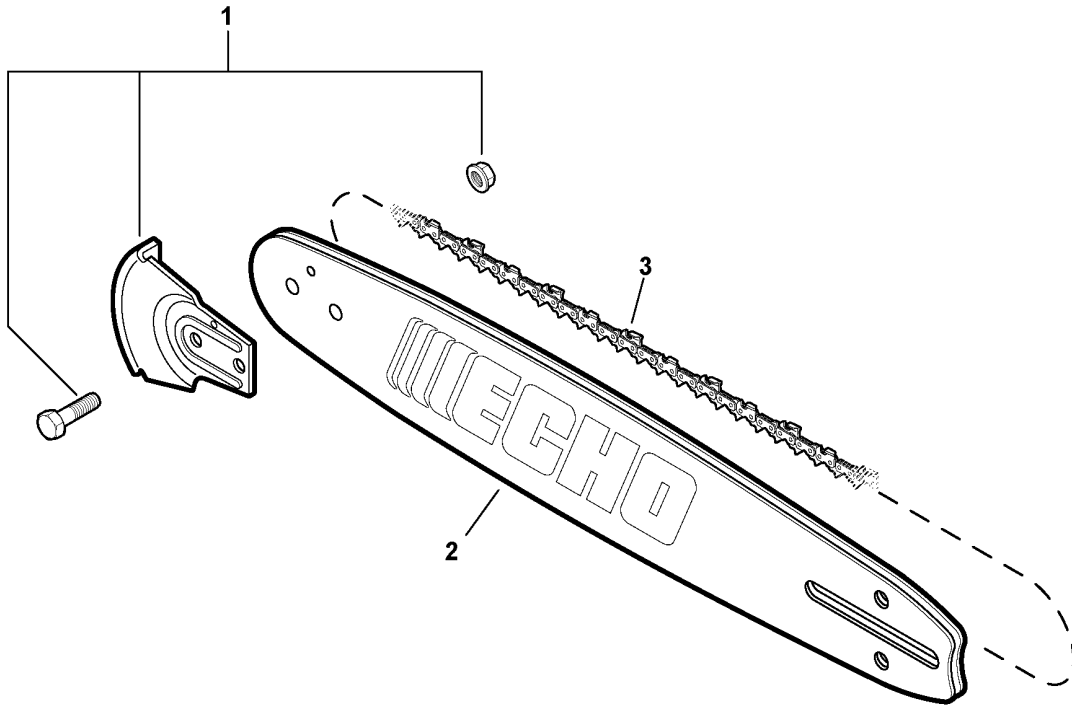
ITEM	PART NUMBER	QTY	DESCRIPTION	REMARKS
1	A235000040	1	KNOB, AIR CLEANER LID	
2	A232000290	1	LID, AIR CLEANER	
3	A226000291	1	FILTER, AIR ¹	
4	90023805050	2	SCREW 5X50	
5	A204000072	1	ELBOW, CARBURETOR	
6	-----	1	CARBURETOR ²	

Footnotes

- 1:** Also Included In REPOWER TUNE-UP KIT
- 2:** See Carburetor Diagram For Additional Information



ITEM	PART NUMBER	QTY	DESCRIPTION	REMARKS
	A021001120	1	CARBURETOR -- WT-728	
1	12313002960	4	SCREW, DIAPHRAGM COVER	
2	P003001390	1	COVER, METERING DIAPHRAGM	
3	-----	1	BODY, CARBURETOR	NOT AVAILABLE SEPARATELY
4	P003001140	1	SHAFT, CHOKE	
5	12314926030	1	WASHER	
6	P003000160	1	LEVER, FAST IDLE	
7	P003000140	1	SPRING, CHOKE RETURN	
8	12311403930	1	SCREW, CHOKE VALVE	
9	P003001410	1	VALVE, CHOKE	
10	12312715030	1	CIRCLIP	
11	P003001300	1	SHAFT, THROTTLE	
12	12311337530	1	SPRING, THROTTLE RETURN	
13	12311405260	1	SCREW, THROTTLE VALVE	
14	12311610860	1	VALVE, THROTTLE	
15	12312715030	1	CIRCLIP	
16	P003000380	1	LEVER, THROTTLE	
17	12311403930	1	SCREW, THROTTLE LEVER	
18	P003000010	2	CAP, MIXTURE LIMITER	
19	12312052131	2	NEEDLE, ADJUSTMENT	
20	P003001400	1	SCREW, IDLE ADJUST	
21	12313304260	1	SPRING, IDLE ADJUST	
22	P003001380	1	COVER, FUEL PUMP	
23	12311003930	1	SCREW, PUMP COVER	
24	12313903930	1	SCREW, METERING LEVER PIN	
25	12312203660	1	SPRING, METERING LEVER	
26	P003000250	1	REPAIR KIT	INCLUDES ITEM 27-35
27	-----	1	DIAPHRAGM, METERING	
28	-----	1	GASKET, METERING DIAPHRAGM	
29	-----	1	LEVER, METERING	
30	-----	1	PIN, METERING LEVER	
31	-----	1	VALVE, INLET NEEDLE	
32	-----	1	PLUG, WELCH	
33	-----	1	SCREEN, INLET	
34	-----	1	DIAPHRAGM, FUEL PUMP	
35	-----	1	GASKET, FUEL PUMP	
36	P003000240	1	GASKET/DIAPHRAGM KIT	INCLUDES ITEM 37-40
37	-----	1	DIAPHRAGM, METERING	
38	-----	1	GASKET, METERING DIAPHRAGM	
39	-----	1	DIAPHRAGM, FUEL PUMP	
40	-----	1	GASKET, FUEL PUMP	

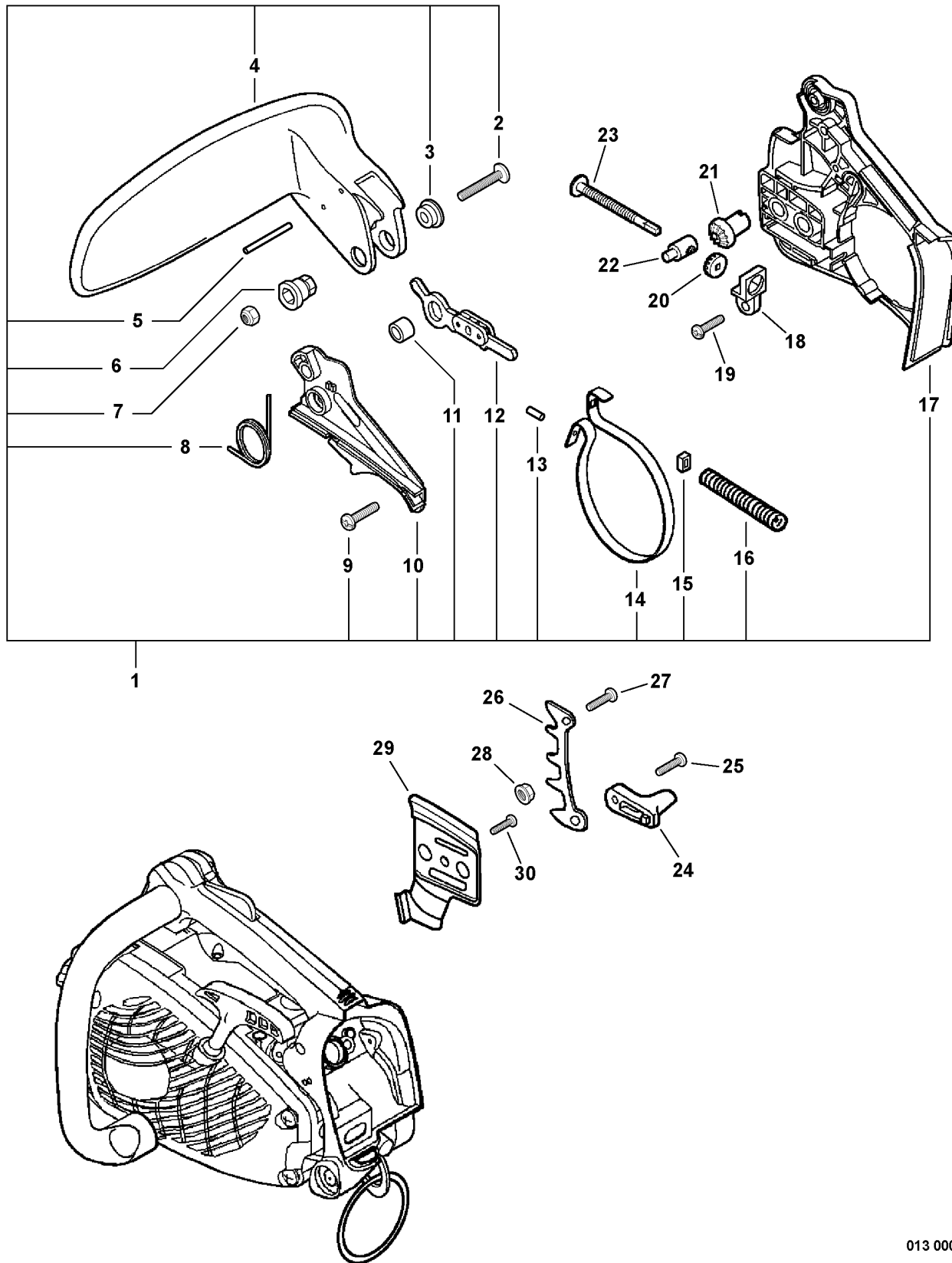


016 0004 000

ITEM	PART NUMBER	QTY	DESCRIPTION	REMARKS
1	2894901	1	KICK GUARD KIT	
2	12A0ED3745	1	GUIDE BAR - 12" -- Pro-91	GAUGE: .050"
2	14A0ED3752	1	GUIDE BAR - 14" -- Pro-91	GAUGE: .050"
2	16A0ED3757	1	GUIDE BAR - 16" -- Pro-91	GAUGE: .050"
3	91VG45G	1	SAWING CHAIN - 12" -- XtraGUARD ¹	GAUGE: .050" / PITCH: .375"
3	91VG52G	1	SAWING CHAIN - 14" -- XtraGUARD ¹	GAUGE: .050" / PITCH: .375"
3	91VG57CQ	1	SAWING CHAIN - 16" -- XtraGUARD ¹	GAUGE: .050" / PITCH: .375"

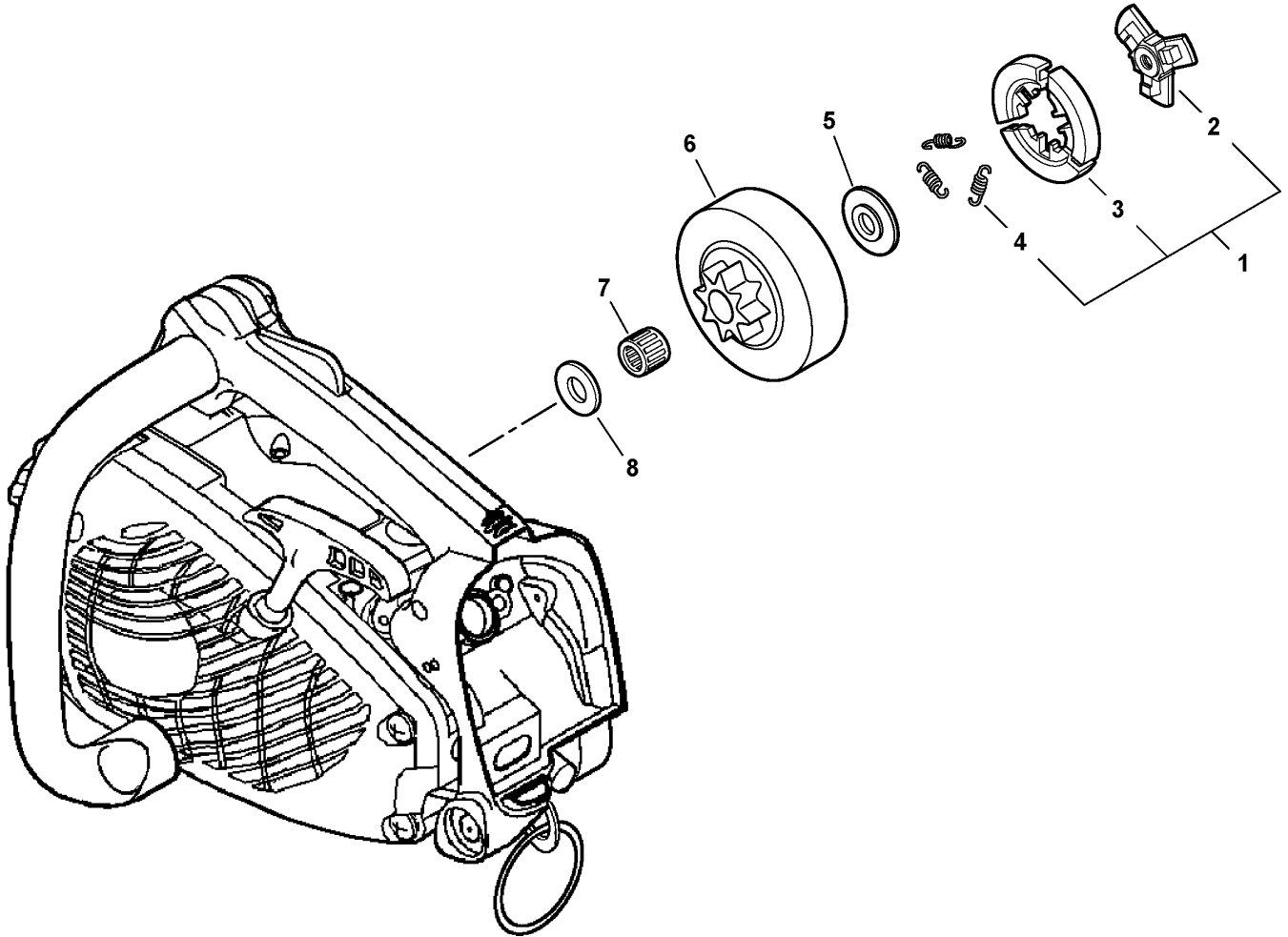
Footnotes

¹: Low Vibration



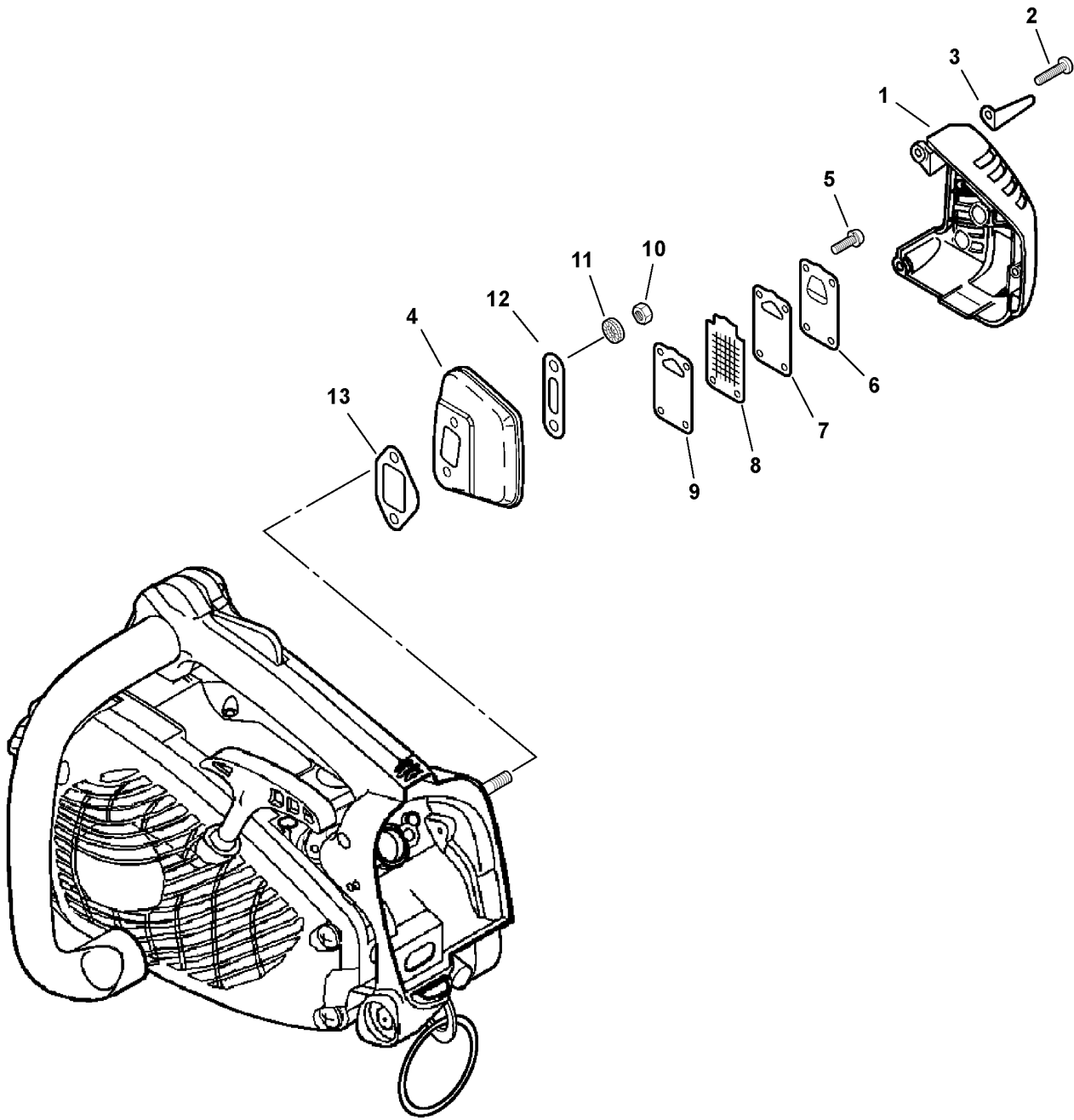
013 0006 000

ITEM	PART NUMBER	QTY	DESCRIPTION	REMARKS
1	C032000260	1	CHAIN BRAKE ASY	INCLUDES ITEMS 2-17
2	9131805032	1	SCREW 5X32	
3	43316739130	1	SPACER	
4	C320000090	1	LEVER, BRAKE	
5	90033030260	2	ROLLER	
6	V353000060	1	COLLAR	
7	90056250005	1	FLANGE NUT 5	
8	V452000110	1	SPRING	
9	90025304012	3	SCREW 4X12	
10	C345000191	1	COVER, BRAKE	
11	43311635430	1	SPACER 8X12X9	
12	C334000070	1	CONNECTOR, BRAKE	
13	9305030098	1	ROLLER	
14	C328000030	1	BAND, BRAKE	
15	V376000450	1	SPACER	
16	V450000070	1	SPRING	
17	C300000291	1	GUARD, SPROCKET	
18	V355000140	1	COLLAR	
19	90025304012	1	SCREW 4X12	
20	V651000011	1	GEAR, BEVEL	
21	V651000001	1	GEAR, BEVEL	
22	C309000030	1	TENSIONER, CHAIN	
23	V203000041	1	BOLT 5	
24	43302635430	1	CATCHER, CHAIN	
25	90025305020	1	SCREW 5X20	
26	C304000000	1	BUMPER, SPIKED	
27	90025305020	1	SCREW 5X20	
28	43301903933	2	FLANGE NUT	
29	C305000070	1	PLATE, SPROCKET GUARD	
30	90025304010	1	SCREW 4X10	



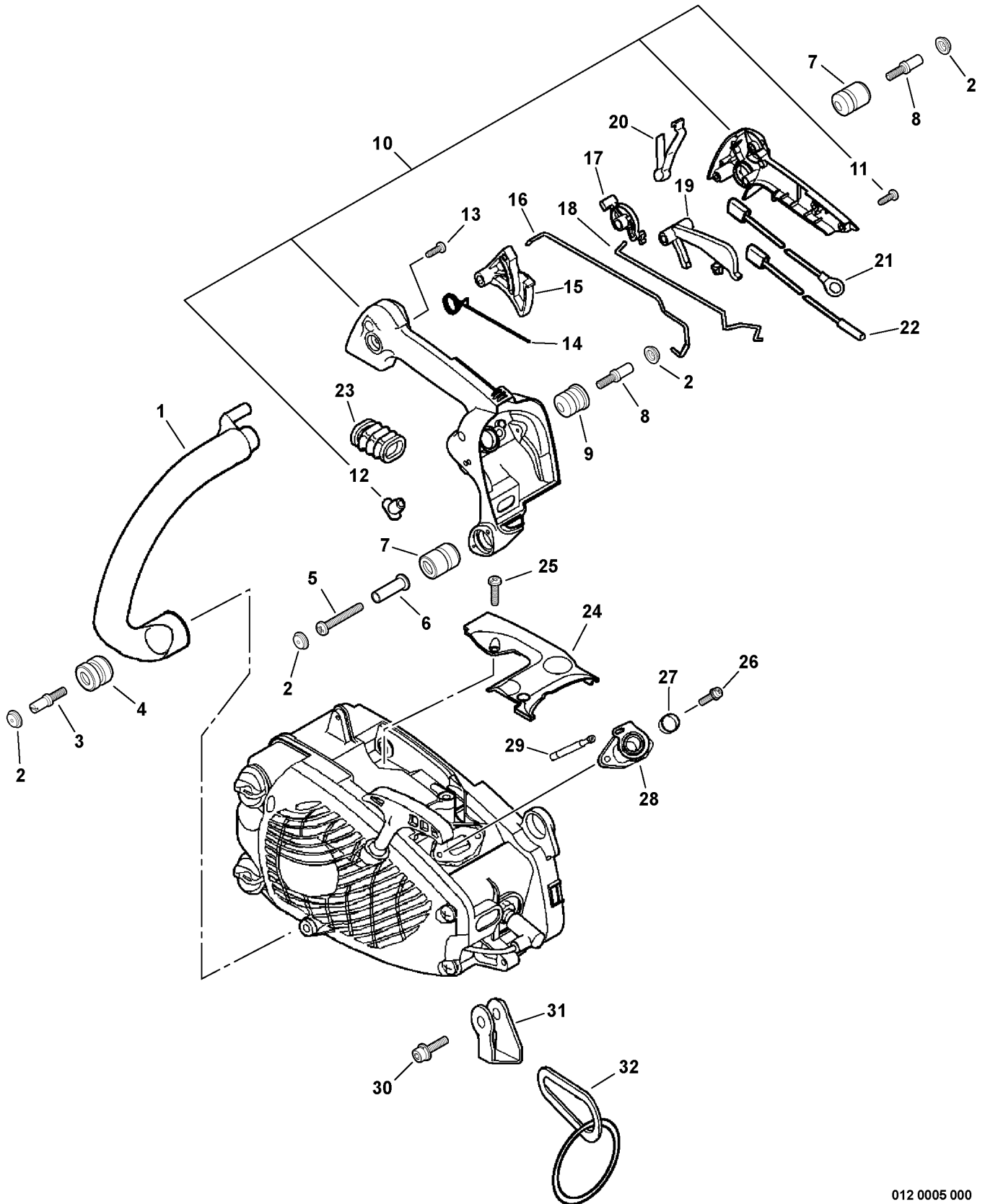
014 0004 000

ITEM	PART NUMBER	QTY	DESCRIPTION	REMARKS
1	A056000070	1	CLUTCH ASY	INCLUDES ITEMS 2-4
2	A552000020	1	HUB, CLUTCH	
3	P021005810	1	CLUTCH SHOE SET	
4	V451000470	3	SPRING, CLUTCH	
5	A551000010	1	PLATE, CLUTCH	
6	17500539132	1	DRUM, CLUTCH	
7	17501200831	1	BEARING, NEEDLE	
8	17501439131	1	WASHER	



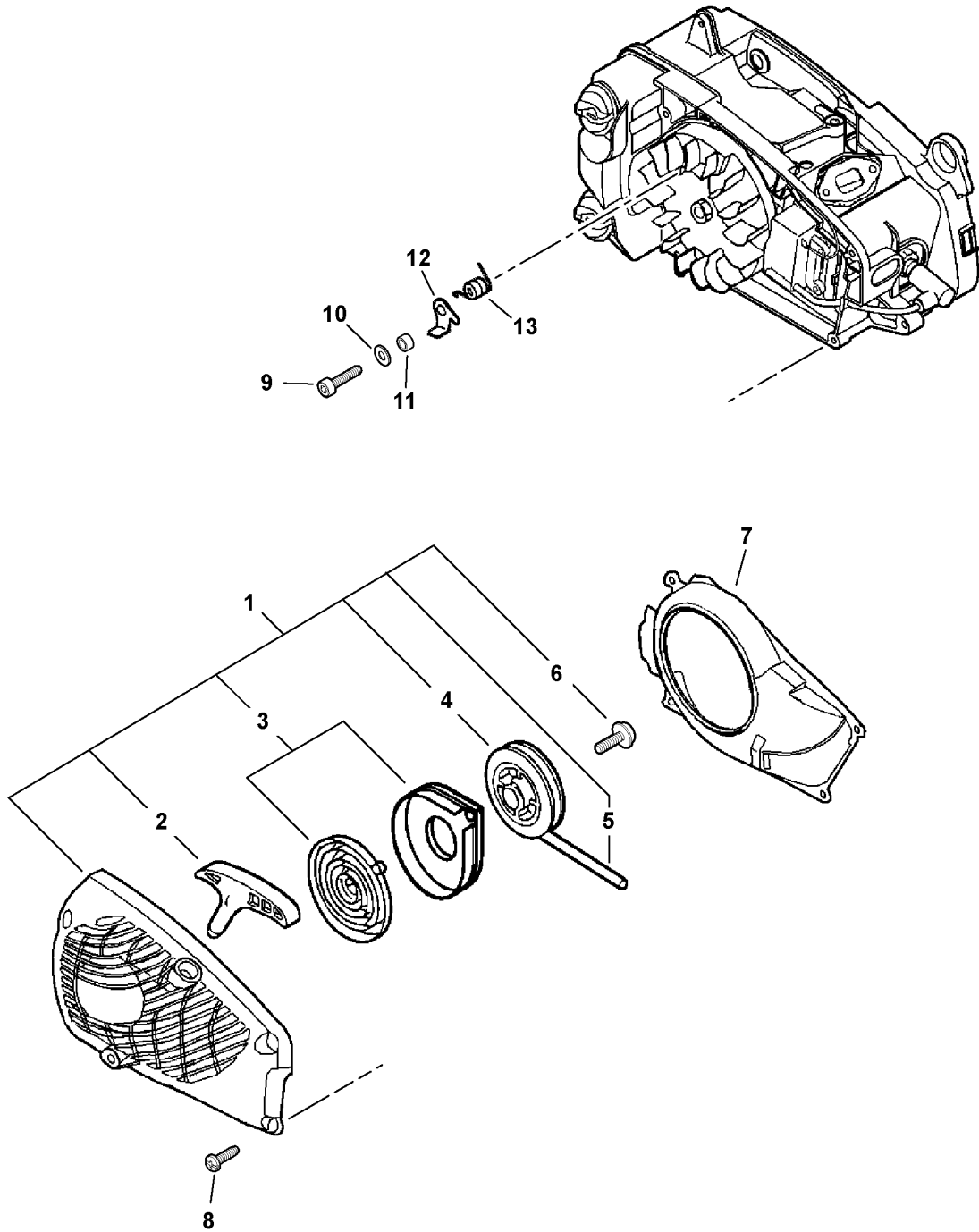
011 0005 000

ITEM	PART NUMBER	QTY	DESCRIPTION	REMARKS
1	A320000322	1	COVER, MUFFLER	
2	90025304016	3	SCREW 4X16	
3	V376000740	1	SPACER	
4	A300000551	1	MUFFLER	
5	9136704012	4	SCREW 4X12	
6	A313000720	1	GUIDE, EXHAUST	
7	V104000680	1	GASKET, EXHAUST	
8	A310000030	1	SCREEN	
9	A313000710	1	GUIDE, EXHAUST	
10	90050000005	2	NUT	
11	9228005000	2	WASHER	
12	14564213930	1	EYE PLATE	
13	A301000020	1	GASKET, EXHAUST	



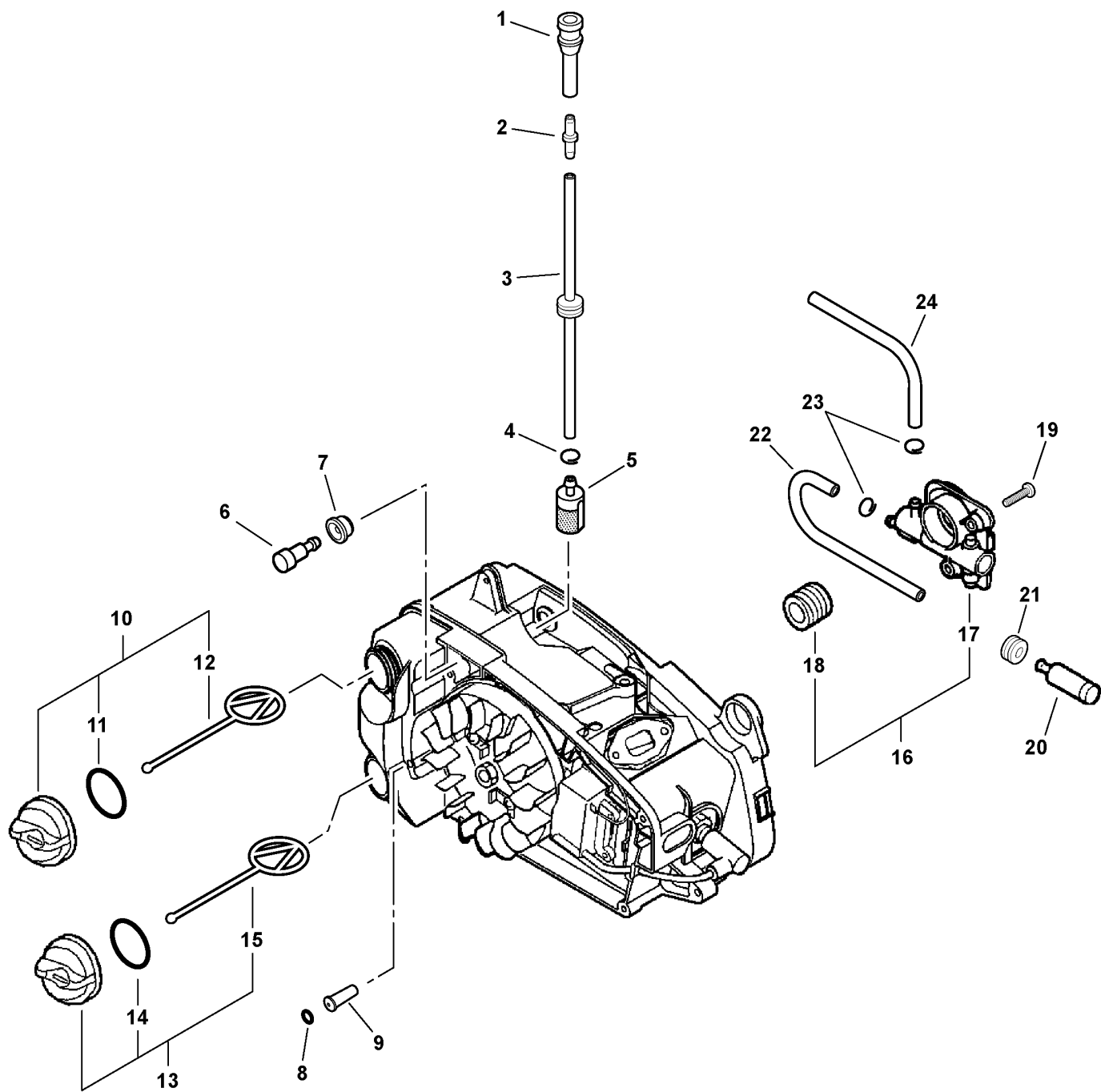
012 0005 000

ITEM	PART NUMBER	QTY	DESCRIPTION	REMARKS
1	C400000370	1	HANDLE, FRONT	
2	10091815130	4	CAP	
3	10091532530	1	SCREW	
4	10091060030	1	CUSHION	
5	9148104035	1	TAPPING SCREW	
6	V352000020	1	COLLAR	
7	V400000021	2	CUSHION	
8	V202000020	2	BOLT	
9	10092139130	1	CUSHION	
10	P021009001	1	REAR HANDLE SET	INCLUDES ITEMS 11-12
11	90025604016	4	SCREW 4X16	
12	13002033330	2	NUT	
13	90025305020	2	SCREW 5X20	
14	V452000010	1	SPRING, THROTTLE TRIGGER	
15	C450000010	1	TRIGGER, THROTTLE	
16	C454000070	1	ROD, THROTTLE	
17	A253000043	1	LEVER, CHOKE	
18	A240000010	1	ROD, CHOKE	
19	C460000002	1	LOCKOUT, THROTTLE	
20	V486000010	1	TERMINAL, LEAD	
21	V485000340	1	LEAD, GROUND	
22	16201055930	1	LEAD, IGNITION	
23	A239000000	1	BELLOWS, INTAKE	
24	A127000130	1	COVER, DUST	
25	90025304012	2	SCREW 4X12	
26	90023805012	2	SCREW 5X12	
27	V359000060	1	COLLAR	
28	A202000050	1	BELLOWS, INTAKE	
29	V470000481	1	PIPE	
30	90016204025	1	SCREW 4X25	
31	C626000040	1	BRACKET, HARNESS	
32	C646000050	1	RING, HARNESS	



015 0003 000

ITEM	PART NUMBER	QTY	DESCRIPTION	REMARKS
1	A051000922	1	STARTER ASY	INCLUDES ITEMS 2-6
2	P022005890	1	GRIP, STARTER	
3	P022010440	1	REWIND SPRING KIT	
4	P022010451	1	DRUM, STARTER	
5	P022005900	1	ROPE, STARTER - 3x920mm	REPOWER BULK OPTION: 99944440000
6	17723644330	1	SCREW	
7	A172000510	1	COVER, FAN	
8	V202000040	4	SCREW	
9	90010505014	2	SCREW 5X14	
10	90060300005	4	WASHER	
11	17724704630	2	SPACER	
12	A514000020	2	PAWL	
13	17723435430	2	SPRING, RETURN	

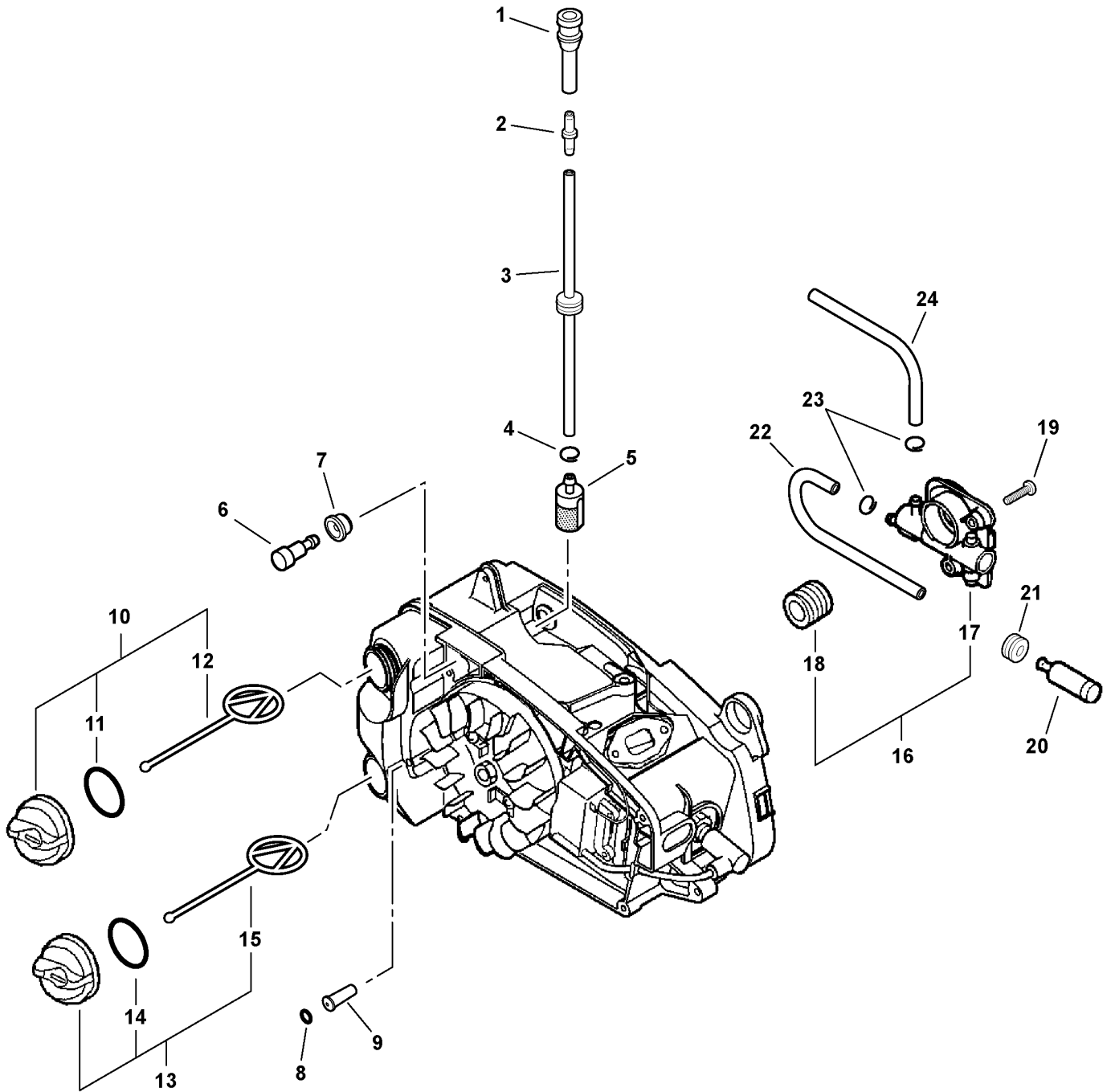


017 0003 00B

ITEM	PART NUMBER	QTY	DESCRIPTION	REMARKS
1	V470000320	1	PIPE, FUEL	
2	V186000020	1	CONNECTOR	
3	V471000750	1	FUEL PIPE ASY	
4	13201309820	1	CLIP	
5	13120507320	1	FILTER, FUEL ¹	
6	A356000030	1	VENT ASY	
7	V137000000	1	GROMMET	
8	90072400004	1	O-RING	
9	43611413930	1	VALVE, CHECK	
10	P021005591	1	CAP ASY	INCLUDES ITEMS 11-12
11	90072000018	1	O-RING	
12	A365000050	1	CONNECTOR, CAP	
13	P021005581	1	CAP ASY	INCLUDES ITEMS 14-15
14	90072000018	1	O-RING	
15	A365000050	1	CONNECTOR, CAP	
16	P021001980	1	AUTO-OILER ASY	INCLUDES ITEMS 17-18
17	C022000000	1	AUTO-OILER	
18	V652000010	1	GEAR, WORM	
19	90023804012	2	SCREW 4X12	
20	43620502832	1	FILTER, OIL	
21	13211501461	1	GROMMET, FUEL	
22	13011005260	1	PIPE, IMPULSE - 3X5X185mm	REPOWER BULK OPTION: 90014
23	13201326630	2	CLIP	
24	V471000760	1	PIPE, OIL - 3X6X90mm	

Footnotes

1: Also Included In REPOWER TUNE-UP KIT

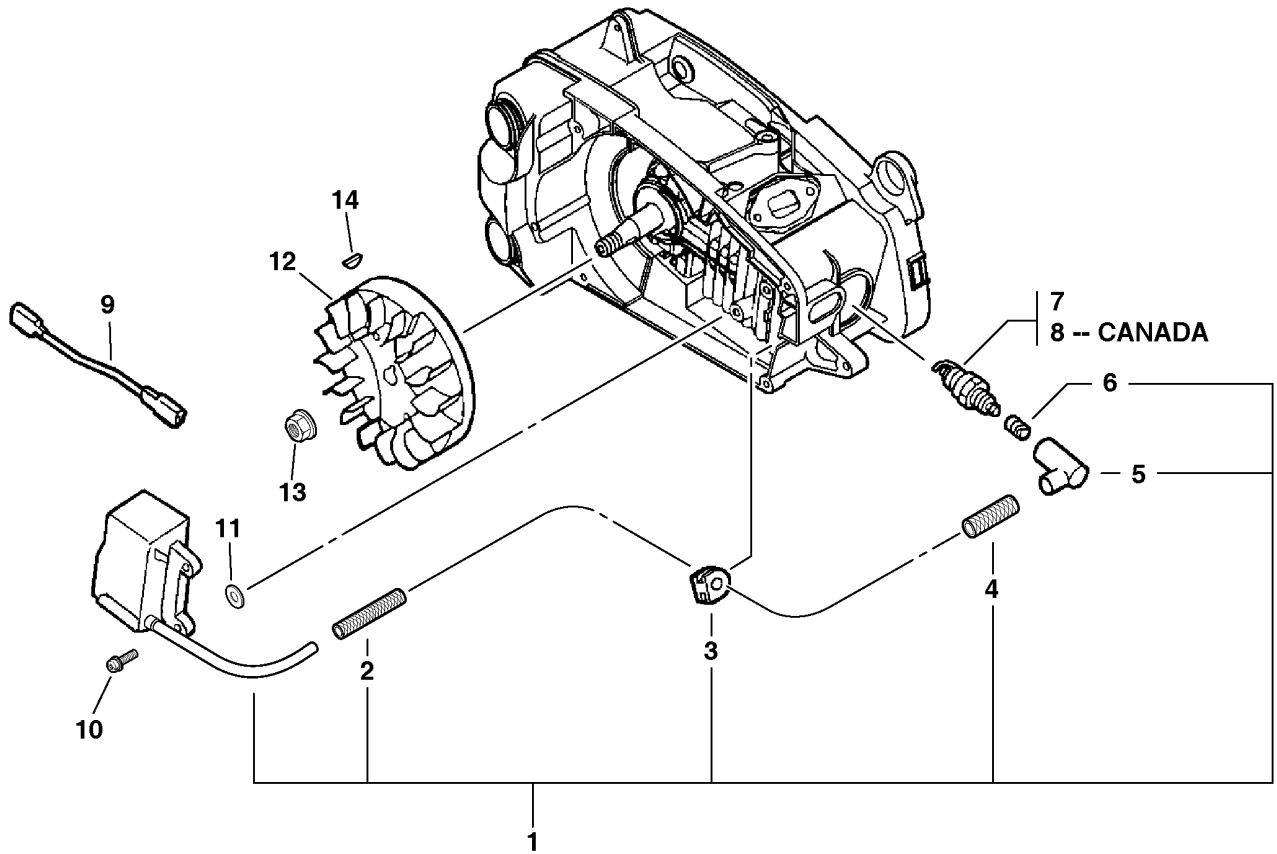


017 0003 00C

ITEM	PART NUMBER	QTY	DESCRIPTION	REMARKS
1	V470000690	1	PIPE, FUEL	
2	V186000020	1	CONNECTOR	
3	V470000710	1	FUEL PIPE ASY	
4	13201309820	1	CLIP	
5	13120507320	1	FILTER, FUEL ¹	
6	A356000030	1	VENT ASY	
7	V137000000	1	GROMMET	
8	90072400004	1	O-RING	
9	43611413930	1	VALVE, CHECK	
10	P021005591	1	CAP ASY	INCLUDES ITEMS 11-12
11	90072000018	1	O-RING	
12	A365000050	1	CONNECTOR, CAP	
13	P021005581	1	CAP ASY	INCLUDES ITEMS 14-15
14	90072000018	1	O-RING	
15	A365000050	1	CONNECTOR, CAP	
16	P021001980	1	AUTO-OILER ASY	INCLUDES ITEMS 17-18
17	C022000000	1	AUTO-OILER	
18	V652000010	1	GEAR, WORM	
19	90023804012	2	SCREW 4X12	
20	43620502832	1	FILTER, OIL	
21	13211501461	1	GROMMET, FUEL	
22	13011005260	1	PIPE, IMPULSE - 3X5X185mm	REPOWER BULK OPTION: 90014
23	13201326630	2	CLIP	
24	V471000760	1	PIPE, OIL - 3X6X90mm	

Footnotes

1: Also Included In REPOWER TUNE-UP KIT

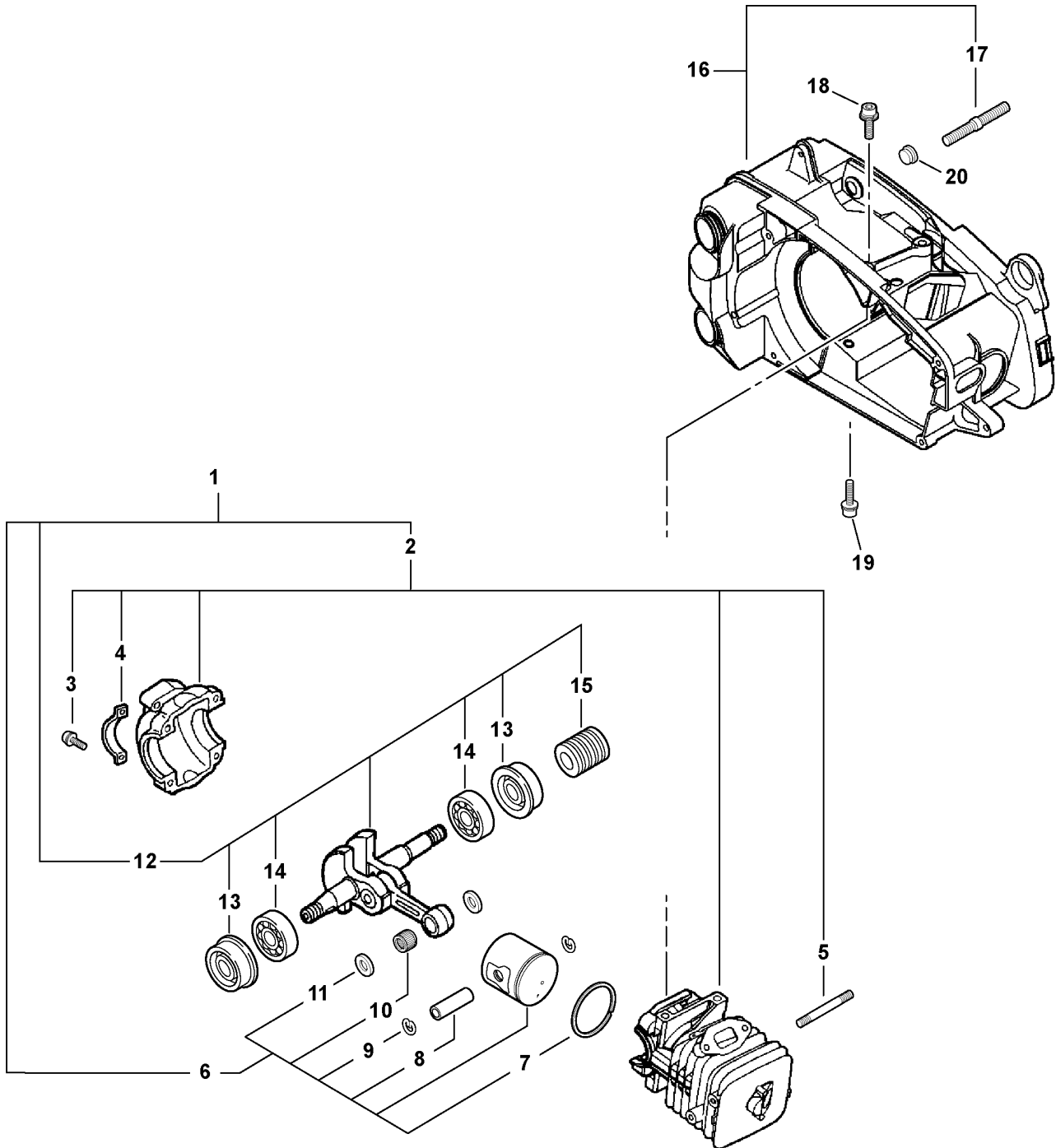


018 0004 00C

ITEM	PART NUMBER	QTY	DESCRIPTION	REMARKS
1	A411000241	1	COIL KIT	INCLUDES ITEMS 2-6
2	P003001450	1	TUBE, INSULATOR	
3	15611004920	1	BUSHING	
4	P003001440	1	TUBE, INSULATOR	
5	A427000020	1	CAP, SPARK PLUG	
6	A426000020	1	TERMINAL, SPARK PLUG CAP	
7	15901019830	1	SPARK PLUG -- BPM-8Y ¹	
8	A425000000	1	SPARK PLUG -- BPMR-8Y ¹	
9	V485000590	1	LEAD, IGNITION	
10	90023805022	2	SCREW 5X22	
11	15011716430	2	SPACER	
12	A409000240	1	FLYWHEEL	
13	90051500008	1	FLANGE NUT	
14	10014212330	1	WOODRUFF KEY	

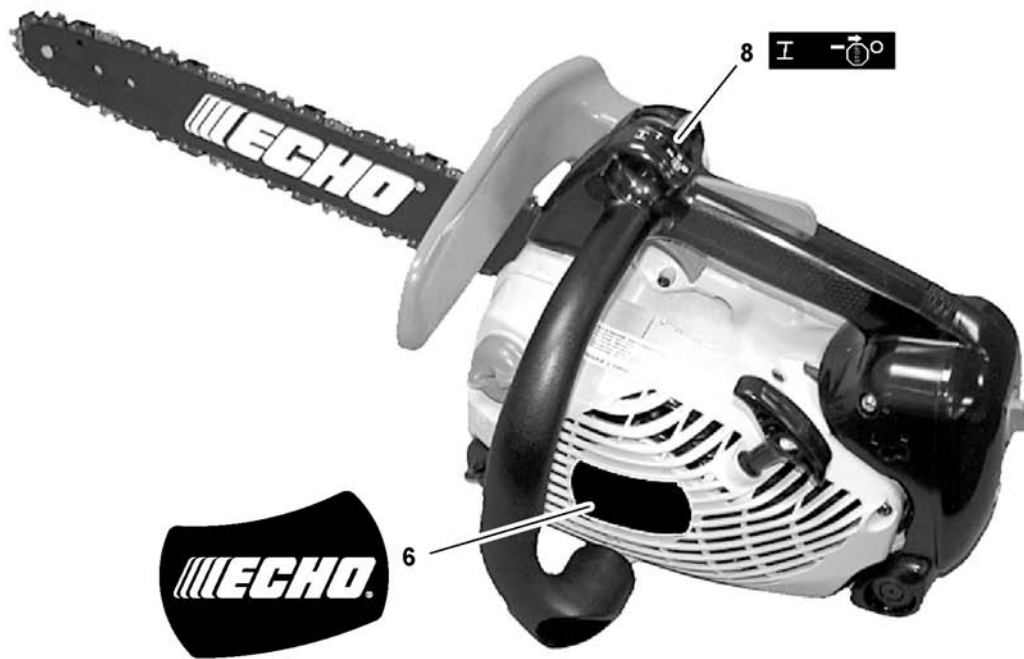
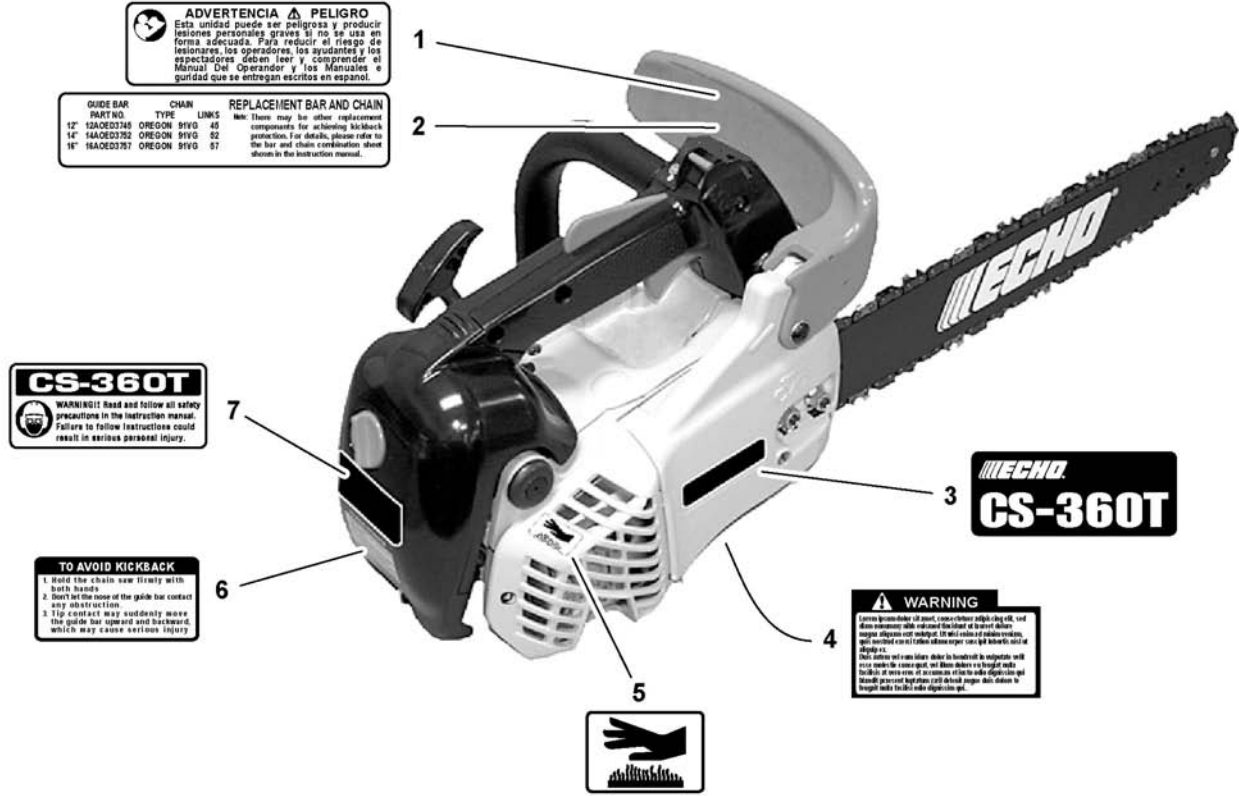
Footnotes

1: Also Included In REPOWER TUNE-UP KIT



SB1086 0000 000

ITEM	PART NUMBER	QTY	DESCRIPTION	REMARKS
1	SB1086	1	SHORT BLOCK	INCLUDES ITEMS 2-15
2	P021009031	1	CRANKCASE KIT	INCLUDES ITEMS 3-5
3	9112805025	4	SCREW 5X25	
4	V150001670	2	BRACKET, CRANKCASE	
5	V223000000	2	BOLT, STUD	
6	P021009040	1	PISTON KIT	INCLUDES ITEMS 7-11
7	A101000110	1	RING, PISTON	
8	10001315330	1	PIN, PISTON	
9	10001504630	2	CIRCLIP, PISTON PIN	
10	V553000040	1	BEARING, NEEDLE	
11	10001460930	2	SPACER, PISTON PIN	
12	P021008992	1	CRANKSHAFT ASY	INCLUDES ITEMS 13-15
13	V505000010	2	OIL SEAL	
14	9403536201	2	BEARING, BALL - 6201	
15	V652000010	1	GEAR, WORM	
16	P021008962	1	COVER, ENGINE	INCLUDES ITEM 17
17	V224000030	2	STUD, GUIDE BAR	
18	90010605020	2	SCREW 5X20	
19	90010605030	2	SCREW 5X30	
20	16391130130	1	PLUG	

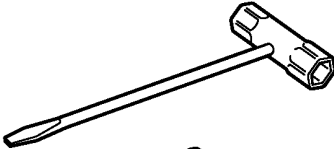
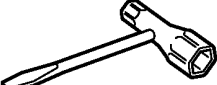
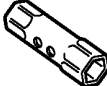








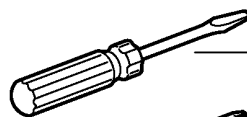
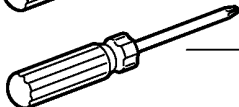



100 0037 0US

ITEM	PART NUMBER	QTY	DESCRIPTION	REMARKS
1	89022839131	1	LABEL, CAUTION	
2	X524001710	1	LABEL, BAR & CHAIN	
3	X503006570	1	LABEL - MODEL -- CS-360T	
4	X505002060	1	LABEL, WARNING	
5	89016006361	1	LABEL - CAUTION -- HOT	
6	89019130131	1	LABEL - KICK BACK	
7	X503006590	1	LABEL - MODEL -- CS-360T	
8	X524001450	1	LABEL - STOP	
9	X502000620	1	LABEL - ECHO	

RePower Tune-Up Kit	Contains: Service Number	Description
900100	A226000291	AIR FILTER
	13120514930	FUEL FILTER
	15901019830	SPARK PLUG BPM-8Y

<u>ITEM</u>	<u>PART NUMBER</u>	<u>QTY</u>	<u>DESCRIPTION</u>	<u>REMARKS</u>
1	900100	1	REPOWER TUNE-UP KIT	

	SOCKET WRENCH W/SCREWDRIVER (Also Removes Spark Plugs)
	1 - 89541010630 -- 17X19mm
	2 - X602000020 -- 17X19mm
	3 - 89541039131 -- 10X19mm
	4 - 89541006960 -- 13X19mm
	SOCKET WRENCH
	5 - X602000031 -- 17X14.5mm
	LOCKING BAR
	6 - 89751801131 -- 5X120mm
	OPEN END WRENCH
	7 - 89511200330 -- 8X10mm
	8 - 89512220960 -- 17X19mm
	9 - 89501505260 -- 10mm
	HEX BAR
	10 - 89541220960 -- 10mm
	HEX KEY
	11 - 89561203430 -- 3mm
	12 - 89561000130 -- 4mm
	13 - 89561100330 -- 5mm
	TORX KEY
	14 - X605000060 -- T27
	SCREWDRIVER
	15 - 89581100130 -- 125mm SLOTTED
	16 - 89581203930 -- 50mm PHILLIPS
	CHUCK KEY
	17 - 89757005560

Consult Your Operators Manual For The Tools Used With Your Model

200 0002 000

ITEM	PART NUMBER	QTY	DESCRIPTION	REMARKS
1	89541010630	1	SOCKET WRENCH/SCREWDRIVER	17X19mm
2	X602000020	1	SOCKET WRENCH/SCREWDRIVER	17X19mm
3	89541039131	1	SOCKET WRENCH/SCREWDRIVER	10X19mm
4	89541006960	1	SOCKET WRENCH/SCREWDRIVER	13X19mm
5	X602000031	1	SOCKET WRENCH	17X14.5mm
6	89751801131	1	LOCKING BAR	5X120mm
7	89511200330	1	OPEN END WRENCH	8X10mm
8	89512220960	1	OPEN END WRENCH	17X19mm
9	89501505260	1	OPEN END WRENCH	10mm
10	89541220960	1	HEX BAR	10mm
11	89561203430	1	HEX KEY	3mm
12	89561000130	1	HEX KEY	4mm
13	89561100330	1	HEX KEY	5mm
14	X605000060	1	TORX KEY	T27
15	89581100130	1	SCREWDRIVER	SLOTTED HEAD
16	89581203930	1	SCREWDRIVER	PHILLIPS HEAD
17	89757005560	1	CHUCK KEY	



Part Number Index

Click The Page Number After Any Part Number To View The Diagram Containing That Part.

Part Number	Page	Part Number	Page	Part Number	Page
-----	5, 7, 9	90023805022	27	P003000240	9
10001315330	29	90023805050	5, 7	P003000250	9
10001460930	29	90025304010	13	P003000380	9
10001504630	29	90025304012	13, 19	P003001140	9
10014212330	27	90025304016	17	P003001300	9
10091060030	19	90025305020	13, 19	P003001380	9
10091532530	19	90025604016	19	P003001390	9
10091815130	19	90033030260	13	P003001400	9
10092139130	19	90050000005	17	P003001410	9
12311003930	9	90051500008	27	P003001440	27
12311337530	9	90056250005	13	P003001450	27
12311403930	9	90060300005	21	P021001980	23, 25
12311405260	9	90072000018	23, 25	P021005581	23, 25
12311610860	9	90072400004	23, 25	P021005591	23, 25
12312052131	9	9112805025	29	P021005810	15
12312203660	9	9131805032	13	P021008962	29
12312715030	9	9136704012	17	P021008992	29
12313002960	9	9148104035	19	P021009001	19
12313304260	9	91VG45G	11	P021009031	29
12313903930	9	91VG52G	11	P021009040	29
12314926030	9	91VG57CQ	11	P022005890	21
12A0ED3745	11	9228005000	17	P022005900	21
13002033330	19	9305030098	13	P022010440	21
13011005260	23, 25	9403536201	29	P022010451	21
13120507320	23, 25	A021001120	9	SB1086	29
13201309820	5, 23, 25	A051000922	21	V104000680	17
13201326630	23, 25	A056000070	15	V137000000	23, 25
13211501461	23, 25	A101000110	29	V150001670	29
14564213930	17	A127000130	19	V186000020	23, 25
14A0ED3752	11	A172000510	21	V202000020	19
15011716430	27	A202000050	19	V202000040	21
15611004920	27	A204000072	5, 7	V203000041	13
15901019830	27	A226000291	5, 7	V223000000	29
16201055930	19	A232000290	5, 7	V224000030	29
16391130130	29	A235000040	5, 7	V352000020	19
16A0ED3757	11	A239000000	19	V353000060	13
17500539132	15	A240000010	19	V355000140	13
17501200831	15	A253000043	19	V359000060	19
17501439131	15	A300000551	17	V376000450	13
17723435430	21	A301000020	17	V376000740	17
17723644330	21	A310000030	17	V400000021	19
17724704630	21	A313000710	17	V450000070	13
2894901	11	A313000720	17	V451000470	15
43301903933	13	A320000322	17	V452000010	19
43302635430	13	A356000030	23, 25	V452000110	13
43311635430	13	A365000050	23, 25	V470000320	23
43316739130	13	A409000240	27	V470000481	19
43611413930	23, 25	A411000241	27	V470000690	25
43620502832	23, 25	A425000000	27	V470000710	25
89016006361	31	A426000020	27	V471000750	23
89019130131	31	A427000020	27	V471000760	23, 25
89022839131	31	A514000020	21	V471001500	5
89501505260	35	A551000010	15	V485000340	19
89511200330	35	A552000020	15	V485000590	27
89512220960	35	C022000000	23, 25	V486000010	19
89541006960	35	C032000260	13	V505000010	29
89541010630	35	C300000291	13	V553000040	29
89541039131	35	C304000000	13	V651000001	13
89541220960	35	C305000070	13	V651000011	13
89561000130	35	C309000030	13	V652000010	23, 25, 29
89561100330	35	C320000090	13	X502000620	31
89561203430	35	C328000030	13	X503006570	31
89581100130	35	C334000070	13	X503006590	31
89581203930	35	C345000191	13	X505002060	31
89751801131	35	C400000370	19	X524001450	31
89757005560	35	C450000010	19	X524001710	31
900100	33	C454000070	19	X602000020	35
90010505014	21	C460000002	19	X602000031	35
90010605020	29	C626000040	19	X605000060	35
90010605030	29	C646000050	19		
90016204025	19	P003000010	9		
90023804012	23, 25	P003000140	9		
90023805012	19	P003000160	9		



Part Description Index

Click The Page Number After Any Part Description To View The Diagram Containing That Part.

A

AUTO-OILER.....23, 25
 AUTO-OILER ASY.....23, 25

B

BAND, BRAKE.....13
 BEARING, BALL - 6201.....29
 BEARING, NEEDLE.....15, 29
 BELLOWS, INTAKE.....19
 BODY, CARBURETOR.....9
 BOLT.....19
 BOLT 5.....13
 BOLT, STUD.....29
 BRACKET, CRANKCASE.....29
 BRACKET, HARNESS.....19
 BUMPER, SPIKED.....13
 BUSHING.....27

C

CAP.....19
 CAP ASY.....23, 25
 CAP, MIXTURE LIMITER.....9
 CAP, SPARK PLUG.....27
 CARBURETOR.....5, 7
 CARBURETOR -- WT-728.....9
 CATCHER, CHAIN.....13
 CHAIN BRAKE ASY.....13
 CHUCK KEY.....35
 CIRCLIP.....9
 CIRCLIP, PISTON PIN.....29
 CLIP.....5, 23, 25
 CLUTCH ASY.....15
 CLUTCH SHOE SET.....15
 COIL KIT.....27
 COLLAR.....13, 19
 CONNECTOR.....23, 25
 CONNECTOR, CAP.....23, 25
 CONNECTOR, BRAKE.....13
 COVER, BRAKE.....13
 COVER, DUST.....19
 COVER, ENGINE.....29
 COVER, FAN.....21
 COVER, FUEL PUMP.....9
 COVER, METERING DIAPHRAGM.....9
 COVER, MUFFLER.....17
 CRANKCASE KIT.....29
 CRANKSHAFT ASY.....29
 CUSHION.....19

D

DIAPHRAGM, FUEL PUMP.....9
 DIAPHRAGM, METERING.....9
 DRUM, CLUTCH.....15
 DRUM, STARTER.....21

E

ELBOW, CARBURETOR.....5, 7
 EYE PLATE.....17

F

FILTER, AIR.....5, 7
 FILTER, FUEL.....23, 25

FILTER, OIL.....23, 25
 FLANGE NUT.....13, 27
 FLANGE NUT 5.....13
 FLYWHEEL.....27
 FUEL PIPE ASY.....23, 25

G

GASKET, EXHAUST.....17
 GASKET, FUEL PUMP.....9
 GASKET, METERING DIAPHRAGM.....9
 GASKET/DIAPHRAGM KIT.....9
 GEAR, BEVEL.....13
 GEAR, WORM.....23, 25, 29
 GRIP, STARTER.....21
 GROMMET.....23, 25
 GROMMET, FUEL.....23, 25
 GUARD, SPROCKET.....13
 GUIDE BAR - 12" -- Pro-91.....11
 GUIDE BAR - 14" -- Pro-91.....11
 GUIDE BAR - 16" -- Pro-91.....11
 GUIDE, EXHAUST.....17

H

HANDLE, FRONT.....19
 HEX BAR.....35
 HEX KEY.....35
 HUB, CLUTCH.....15

K

KICK GUARD KIT.....11
 KNOB, AIR CLEANER LID.....5, 7

L

LABEL - KICK BACK.....31
 LABEL - CAUTION -- HOT.....31
 LABEL - ECHO.....31
 LABEL - MODEL -- CS-360T.....31
 LABEL - STOP.....31
 LABEL, BAR & CHAIN.....31
 LABEL, CAUTION.....31
 LABEL, WARNING.....31
 LEAD, GROUND.....19
 LEAD, IGNITION.....19, 27
 LEVER, BRAKE.....13
 LEVER, CHOKE.....19
 LEVER, FAST IDLE.....9
 LEVER, METERING.....9
 LEVER, THROTTLE.....9
 LID, AIR CLEANER.....5, 7
 LOCKING BAR.....35
 LOCKOUT, THROTTLE.....19

M

MUFFLER.....17

N

NEEDLE, ADJUSTMENT.....9
 NUT.....17, 19

O

OIL SEAL.....29
 OPEN END WRENCH.....35
 O-RING.....23, 25

P

PAWL.....21
 PIN, METERING LEVER.....9
 PIN, PISTON.....29
 PIPE.....5, 19
 PIPE, FUEL.....23, 25
 PIPE, IMPULSE - 3X5X185mm.....23, 25
 PIPE, OIL - 3X6X90mm.....23, 25
 PISTON KIT.....29
 PLATE, CLUTCH.....15
 PLATE, SPROCKET GUARD.....13
 PLUG.....29
 PLUG, WELCH.....9

R

REAR HANDLE SET.....19
 REPAIR KIT.....9
 REPOWER TUNE-UP KIT.....33
 REWIND SPRING KIT.....21
 RING, HARNESS.....19
 RING, PISTON.....29
 ROD, CHOKE.....19
 ROD, THROTTLE.....19
 ROLLER.....13
 ROPE, STARTER - 3x920mm.....21

S

SAWING CHAIN - 12" -- XtraGUARD.....11
 SAWING CHAIN - 14" -- XtraGUARD.....11
 SAWING CHAIN - 16" -- XtraGUARD.....11
 SCREEN.....17
 SCREEN, INLET.....9
 SCREW.....19, 21
 SCREW 4X10.....13
 SCREW 4X12.....13, 17, 19, 23, 25
 SCREW 4X16.....17, 19
 SCREW 4X25.....19
 SCREW 5X12.....19
 SCREW 5X14.....21
 SCREW 5X20.....13, 19, 29
 SCREW 5X22.....27
 SCREW 5X25.....29
 SCREW 5X30.....29
 SCREW 5X32.....13
 SCREW 5X50.....5, 7
 SCREW, CHOKE VALVE.....9
 SCREW, DIAPHRAGM COVER.....9
 SCREW, IDLE ADJUST.....9
 SCREW, METERING LEVER PIN.....9
 SCREW, PUMP COVER.....9
 SCREW, THROTTLE LEVER.....9
 SCREW, THROTTLE VALVE.....9
 SCREWDRIVER.....35
 SHAFT, CHOKE.....9
 SHAFT, THROTTLE.....9
 SHORT BLOCK.....29
 SOCKET WRENCH.....35
 SOCKET WRENCH/SCREWDRIVER.....35
 SPACER.....13, 17, 21, 27
 SPACER 8X12X9.....13
 SPACER, PISTON PIN.....29
 SPARK PLUG -- BPM-8Y.....27
 SPARK PLUG -- BPMR-8Y.....27
 SPRING.....13



Part Description Index (continued)

SPRING, CHOKE RETURN.....9
SPRING, CLUTCH.....15
SPRING, IDLE ADJUST.....9
SPRING, METERING LEVER.....9
SPRING, RETURN.....21
SPRING, THROTTLE RETURN.....9
SPRING, THROTTLE TRIGGER.....19
STARTER ASY.....21
STUD, GUIDE BAR.....29

T

TAPPING SCREW.....19
TENSIONER, CHAIN.....13
TERMINAL, LEAD.....19
TERMINAL, SPARK PLUG CAP.....27
TORX KEY.....35
TRIGGER, THROTTLE.....19
TUBE, INSULATOR.....27

V

VALVE, CHECK.....23, 25
VALVE, CHOKE.....9
VALVE, INLET NEEDLE.....9
VALVE, THROTTLE.....9
VENT ASY.....23, 25

W

WASHER.....9, 15, 17, 21
WOODRUFF KEY.....27

NOTES



ECHO, INCORPORATED

400 Oakwood Road
Lake Zurich, IL 60047 USA

WWW.ECHO-USA.COM
