



OPTIONAL ATTACHMENTS & ACCESSORIES

Accessories

103942147	CS Carry Bag
103942148	CS Camouflage Carry Bag
89850308034	Bar & Chain Cover
99988800307	Debris Shield
99988800309	CS Lanyard Strap w_Snap
99988801207	ToughChest-24 Chain Saw Case

Guide Bars

12A0CD3745	Guide Bar - 12" (.050" Ga)
12A0ED3745	Guide Bar - 12" (.050" Ga)
14A0CD3752	Guide Bar - 14" (.050" Ga)
14A0ED3752	Guide Bar - 14" (.050" Ga)
16A0CD3757	Guide Bar - 16" (.050" Ga)
16A0ED3757	Guide Bar - 16" (.050" Ga)

Sawing Chains

91VG45CQ	Sawing Chain - 12" (.050" Ga)
91VG52CQ	Sawing Chain - 14" (.050" Ga)
91VG57CQ	Sawing Chain - 16" (.050" Ga)

PARTS CATALOG

CS-360T Chain Saw

36.3cc

SERIAL NUMBERS

S/N: C04412001001 - C04412999999

ECHO, INCORPORATED

400 Oakwood Road Lake Zurich, Illinois 60047 USA

WWW.ECHO-USA.COM



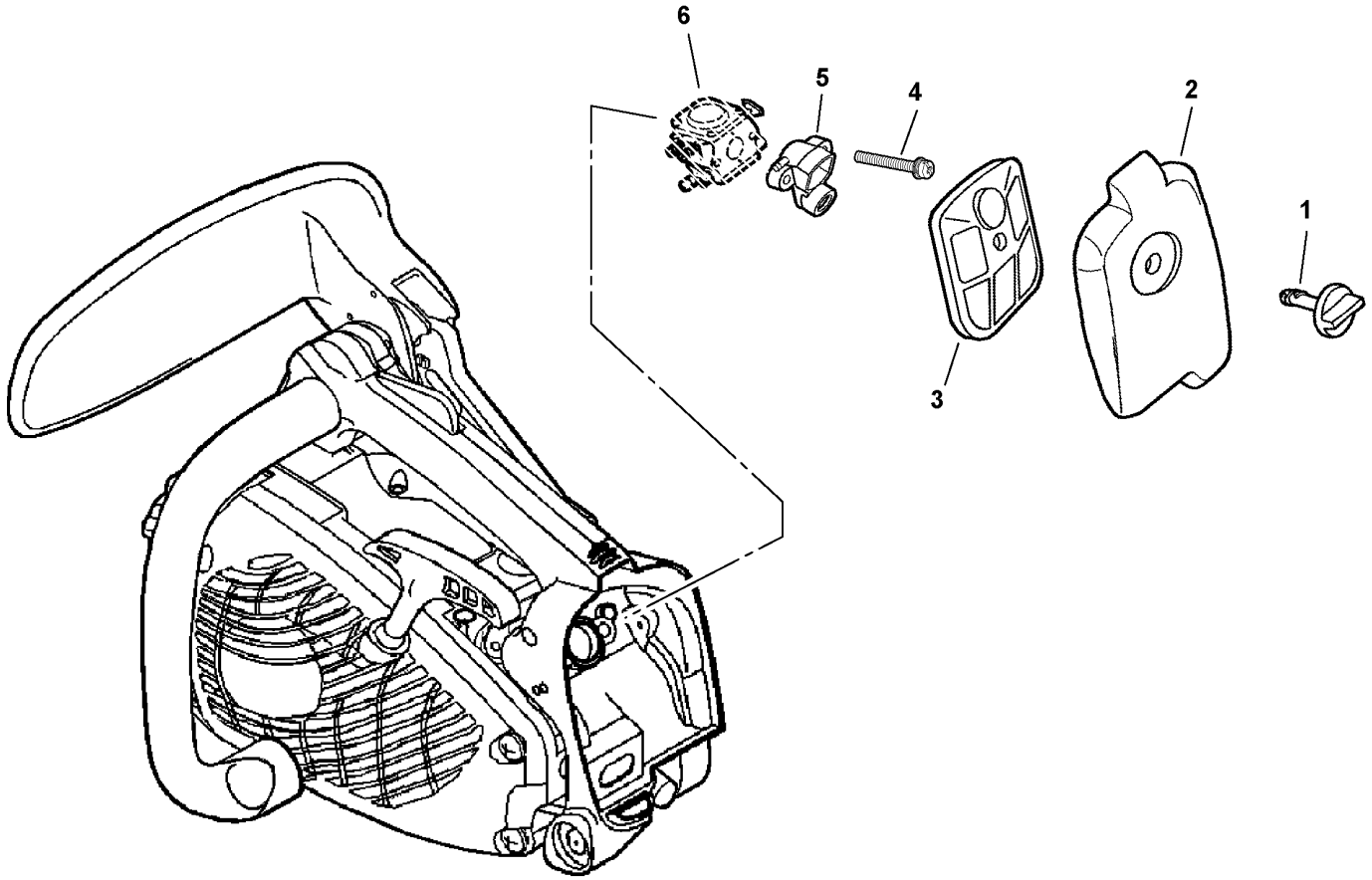
Table of Contents

Click Any Diagram Description Below To View That Diagram.

CS-360T S/N: C04412001001 - C04412999999

Intake.....	4
Carburetor -- WT-728.....	6
Standard Guide Bar, Sawing Chain, Kick Guard.....	8
Chain Brake.....	10
Clutch.....	12
Exhaust.....	14
Handles, Throttle Control.....	16
Starter.....	18
Fuel System, Auto-Oiler.....	20
Ignition.....	22
Engine, Short Block -- SB1086.....	24
Labels.....	26
RePower Tune-Up Kit.....	28
Tools.....	30
Part Number Index.....	32
Part Description Index.....	33

This Page Intentionally Left Blank

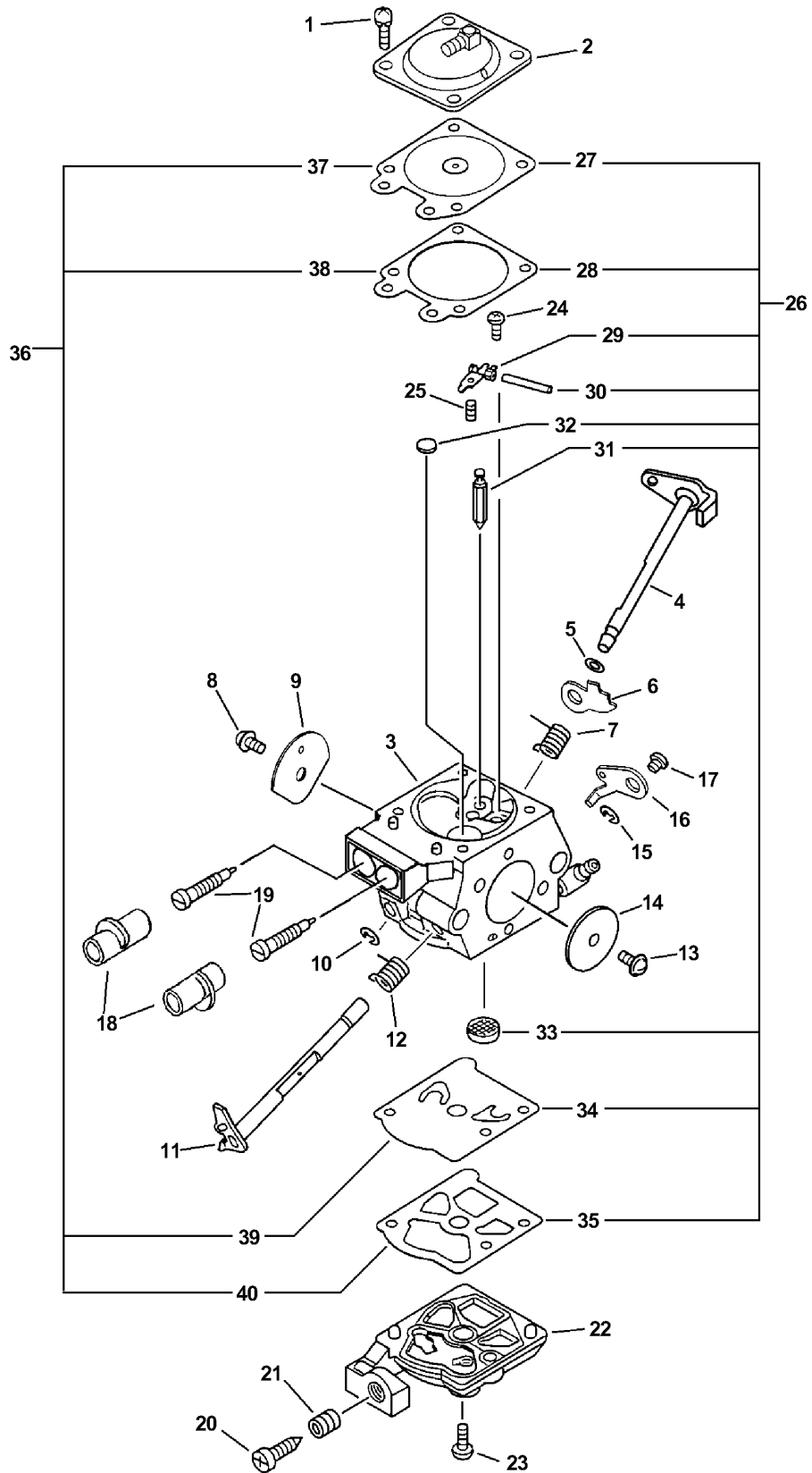


010 0006 000

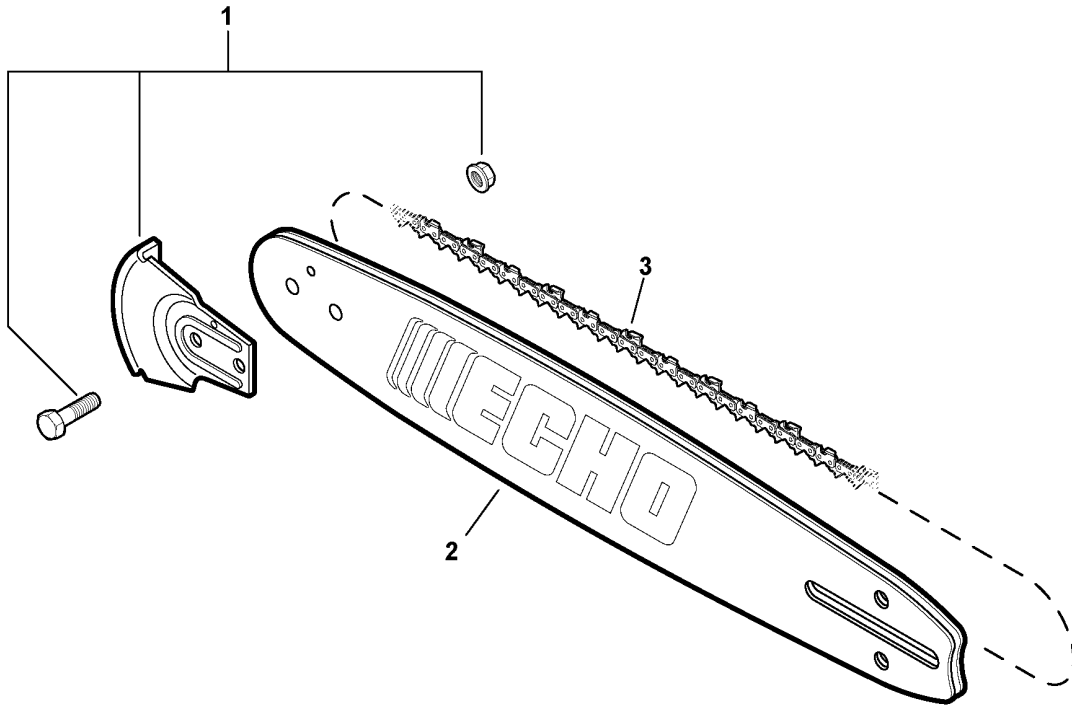
ITEM	PART NUMBER	QTY	DESCRIPTION	REMARKS
1	A235000040	1	KNOB, AIR CLEANER LID	
2	A232000290	1	LID, AIR CLEANER	
3	A226000291	1	FILTER, AIR ¹	
4	90023805050	2	SCREW 5X50	
5	A204000072	1	MOUNT, AIR FILTER	
6	-----	1	CARBURETOR ²	

Footnotes

- 1:** Also Included In REPOWER TUNE-UP KIT
- 2:** See Carburetor Diagram For Additional Information



ITEM	PART NUMBER	QTY	DESCRIPTION	REMARKS
	A021001120	1	CARBURETOR -- WT-728	
1	12313002960	4	SCREW, DIAPHRAGM COVER	
2	P003001390	1	COVER, METERING DIAPHRAGM	
3	-----	1	BODY, CARBURETOR	NOT AVAILABLE SEPARATELY
4	P003001140	1	SHAFT, CHOKE	
5	12314926030	1	WASHER	
6	P003000160	1	LEVER, FAST IDLE	
7	P003000140	1	SPRING, CHOKE RETURN	
8	12311403930	1	SCREW, CHOKE VALVE	
9	P003001410	1	VALVE, CHOKE	
10	12312715030	1	CIRCLIP	
11	P003001300	1	SHAFT, THROTTLE	
12	12311337530	1	SPRING, THROTTLE RETURN	
13	12311405260	1	SCREW, THROTTLE VALVE	
14	12311610860	1	VALVE, THROTTLE	
15	12312715030	1	CIRCLIP	
16	P003000380	1	LEVER, THROTTLE	
17	12311403930	1	SCREW, THROTTLE LEVER	
18	P003000010	2	CAP, MIXTURE LIMITER	
19	12312052131	2	NEEDLE, ADJUSTMENT	
20	P003001400	1	SCREW, IDLE ADJUST	
21	12313304260	1	SPRING, IDLE ADJUST	
22	P003001380	1	COVER, FUEL PUMP	
23	12311003930	1	SCREW, PUMP COVER	
24	12313903930	1	SCREW, METERING LEVER PIN	
25	12312203660	1	SPRING, METERING LEVER	
26	P003000250	1	REPAIR KIT	INCLUDES ITEM 27-35
27	-----	1	DIAPHRAGM, METERING	
28	-----	1	GASKET, METERING DIAPHRAGM	
29	-----	1	LEVER, METERING	
30	-----	1	PIN, METERING LEVER	
31	-----	1	VALVE, INLET NEEDLE	
32	-----	1	PLUG, WELCH	
33	-----	1	SCREEN, INLET	
34	-----	1	DIAPHRAGM, FUEL PUMP	
35	-----	1	GASKET, FUEL PUMP	
36	P003000240	1	GASKET/DIAPHRAGM KIT	INCLUDES ITEM 37-40
37	-----	1	DIAPHRAGM, METERING	
38	-----	1	GASKET, METERING DIAPHRAGM	
39	-----	1	DIAPHRAGM, FUEL PUMP	
40	-----	1	GASKET, FUEL PUMP	



016 0002 000

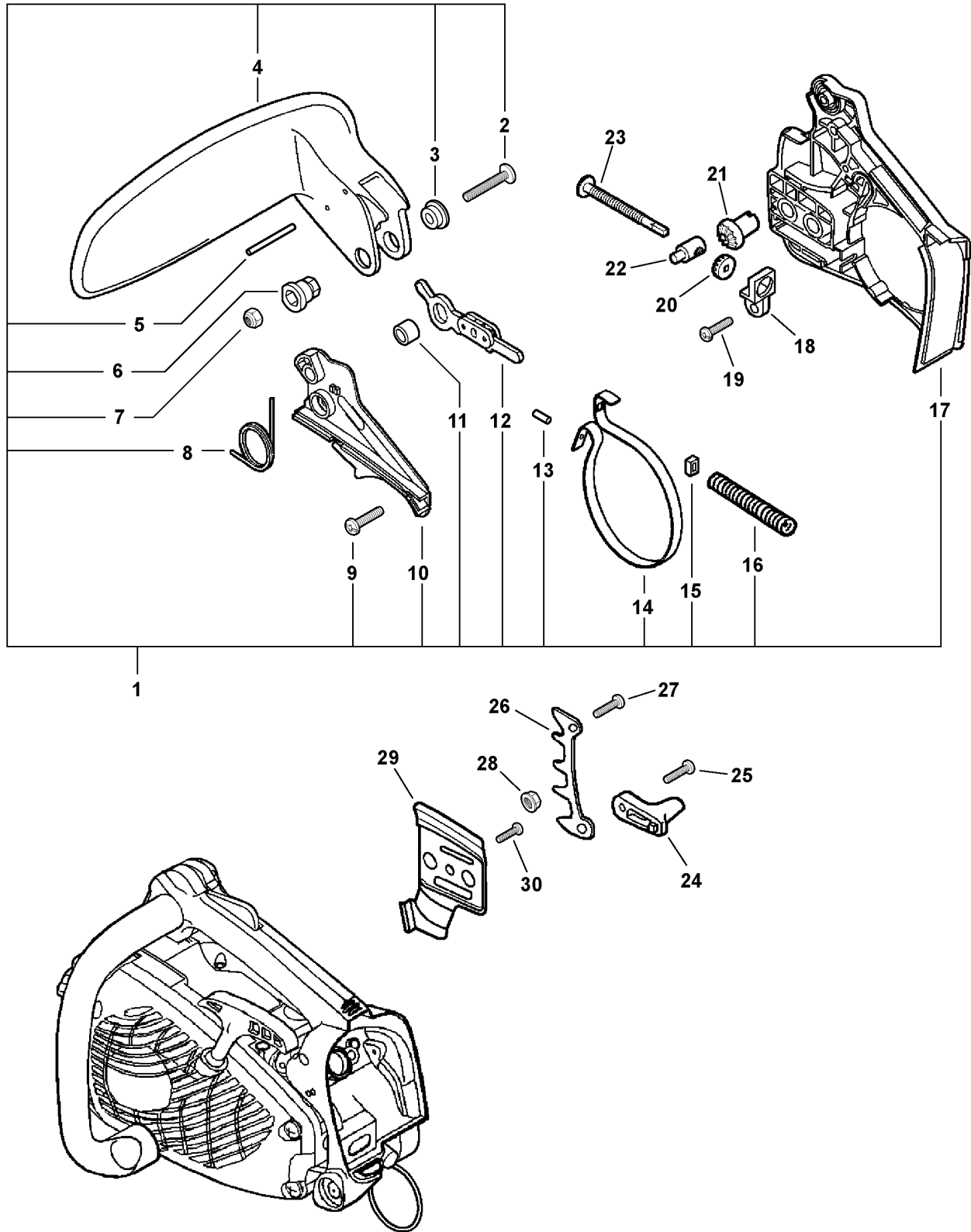
CS-360T Chain Saw

Standard Guide Bar, Sawing Chain, Kick Guard

ITEM	PART NUMBER	QTY	DESCRIPTION	REMARKS
1	2894901	1	KICK GUARD KIT	
2	16A0ED3757	1	GUIDE BAR - 16" -- Pro 91	GAUGE: .050"
3	91VG57CQ	1	SAWING CHAIN - 16" -- XtraGUARD ¹	GAUGE: .050" / PITCH: .375"

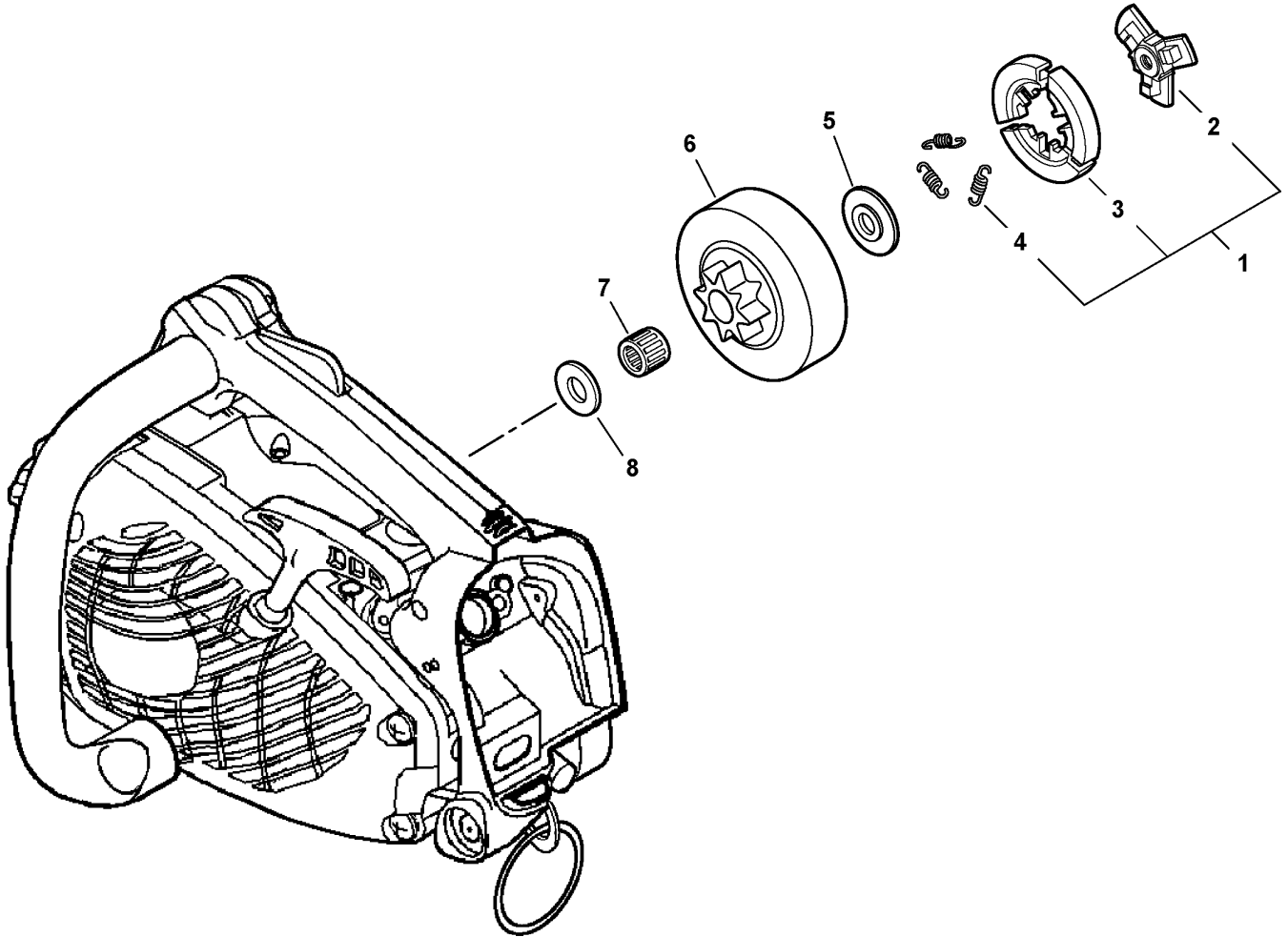
Footnotes

¹: Low Vibration



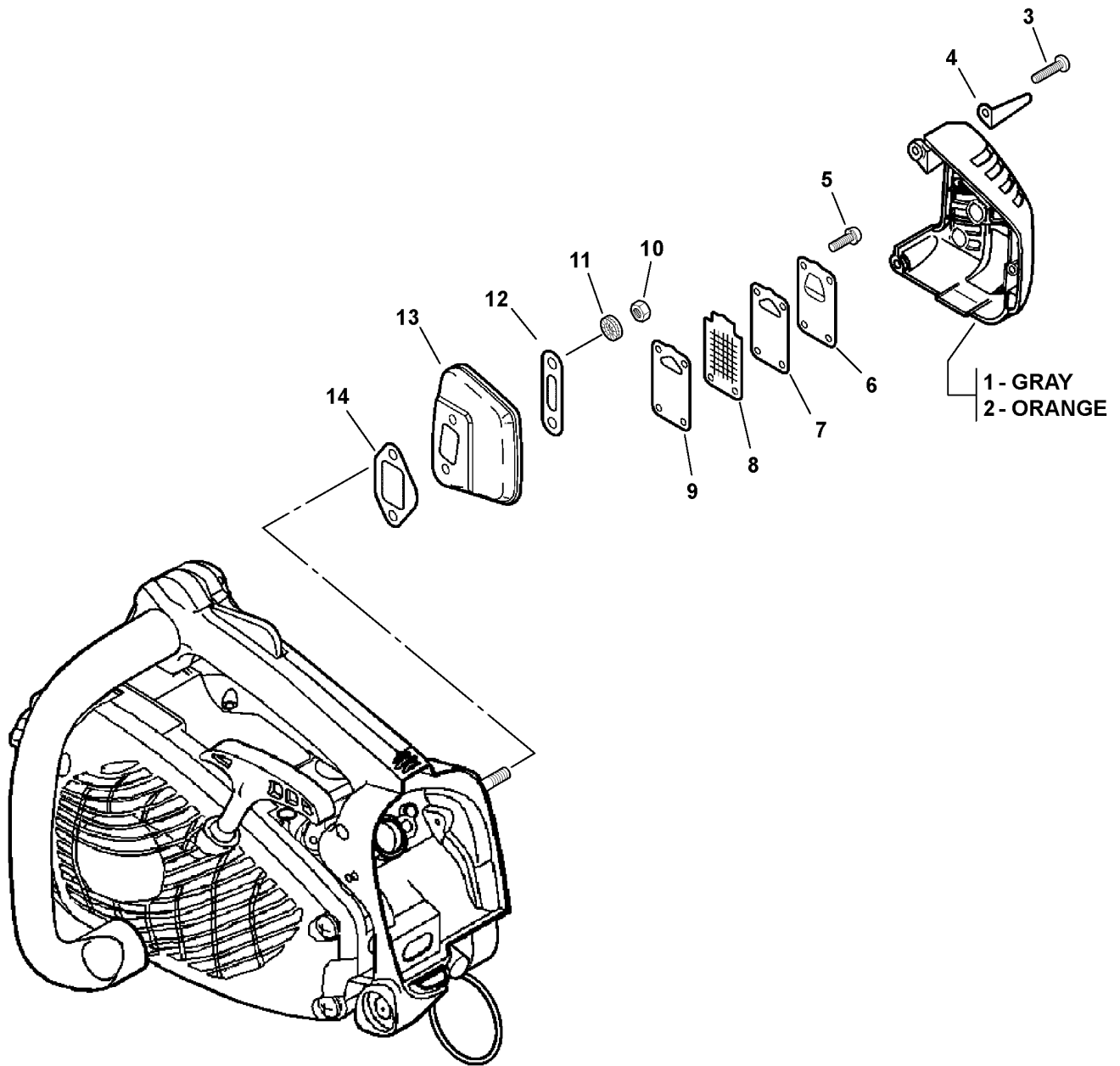
013 0006 ORB

ITEM	PART NUMBER	QTY	DESCRIPTION	REMARKS
1	P021016470	1	CHAIN BRAKE ASY	INCLUDES ITEMS 2-17
2	9131805032	1	SCREW 5X32	
3	43316739130	1	SPACER	
4	C320000190	1	LEVER, BRAKE - BLACK	
5	90033030260	2	ROLLER	
6	V353000060	1	COLLAR	
7	90056250005	1	FLANGE NUT 5	
8	V452000110	1	SPRING	
9	90025304012	3	SCREW 4X12 - TAPPING	
10	C345000310	1	COVER, BRAKE - ORANGE	
11	43311635430	1	SPACER 8X12X9	
12	C334000070	1	CONNECTOR, BRAKE	
13	9305030098	1	ROLLER	
14	C328000030	1	BAND, BRAKE	
15	V376000450	1	SPACER	
16	V450000070	1	SPRING	
17	C300000420	1	GUARD, SPROCKET - ORANGE	
18	V355000140	1	COLLAR	
19	90025304012	1	SCREW 4X12 - TAPPING	
20	V651000011	1	GEAR, BEVEL	
21	V651000001	1	GEAR, BEVEL	
22	C309000030	1	TENSIONER, CHAIN	
23	V203000041	1	BOLT 5	
24	43302635430	1	CATCHER, CHAIN	
25	90025305020	1	SCREW 5X20 - TAPPING	
26	C304000000	1	BUMPER, SPIKED	
27	90025305020	1	SCREW 5X20 - TAPPING	
28	43301903933	2	FLANGE NUT	
29	C305000080	1	PLATE, SPROCKET GUARD	
30	90025304010	1	SCREW 4X10	



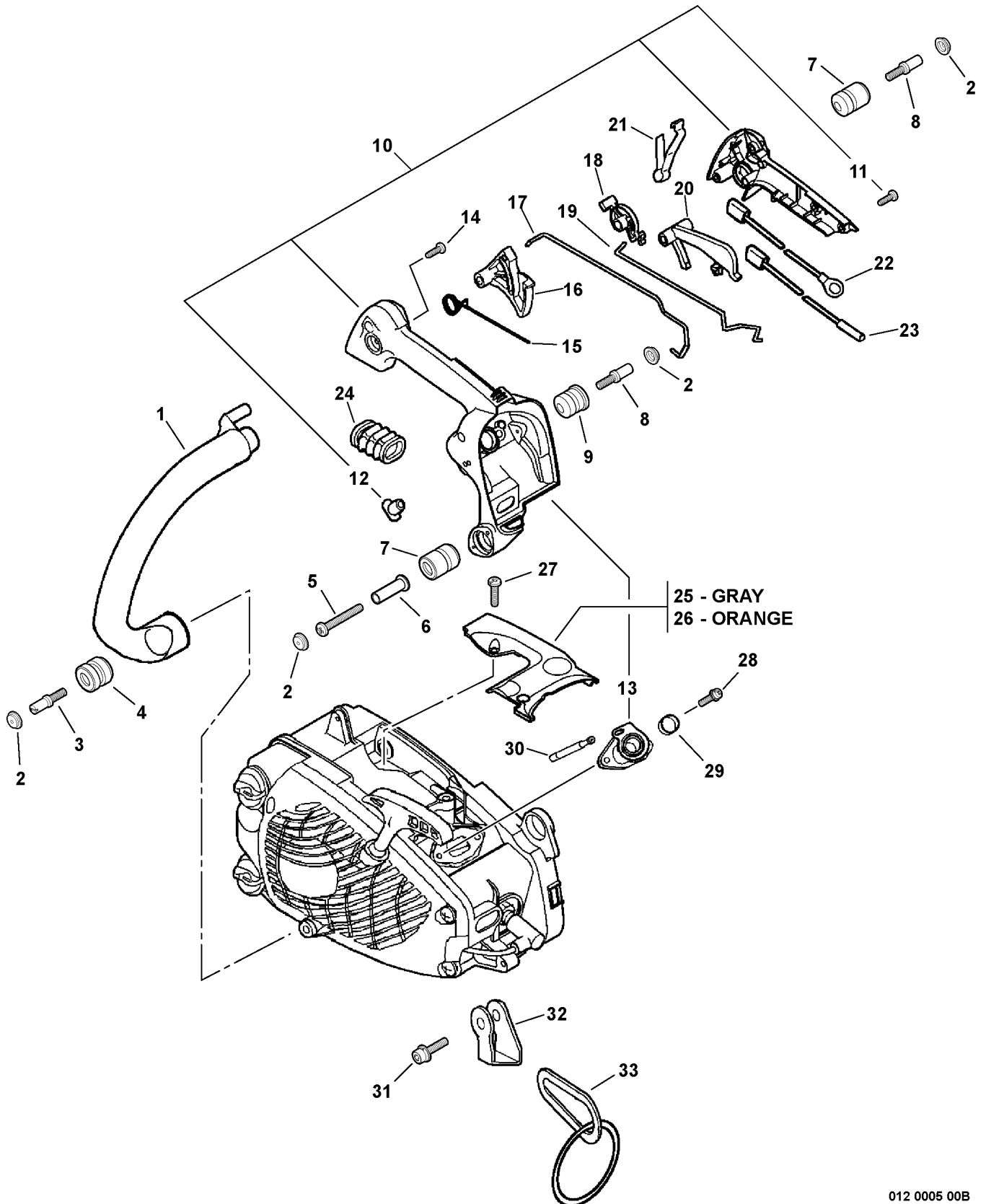
014 0004 000

ITEM	PART NUMBER	QTY	DESCRIPTION	REMARKS
1	A056000070	1	CLUTCH ASY	INCLUDES ITEMS 2-4
2	A552000020	1	HUB, CLUTCH	
3	P021005810	1	CLUTCH SHOE SET	
4	V451000470	3	SPRING, CLUTCH	
5	A551000010	1	PLATE, CLUTCH	
6	17500539132	1	DRUM, CLUTCH	
7	17501200831	1	BEARING, NEEDLE	
8	17501439131	1	WASHER	



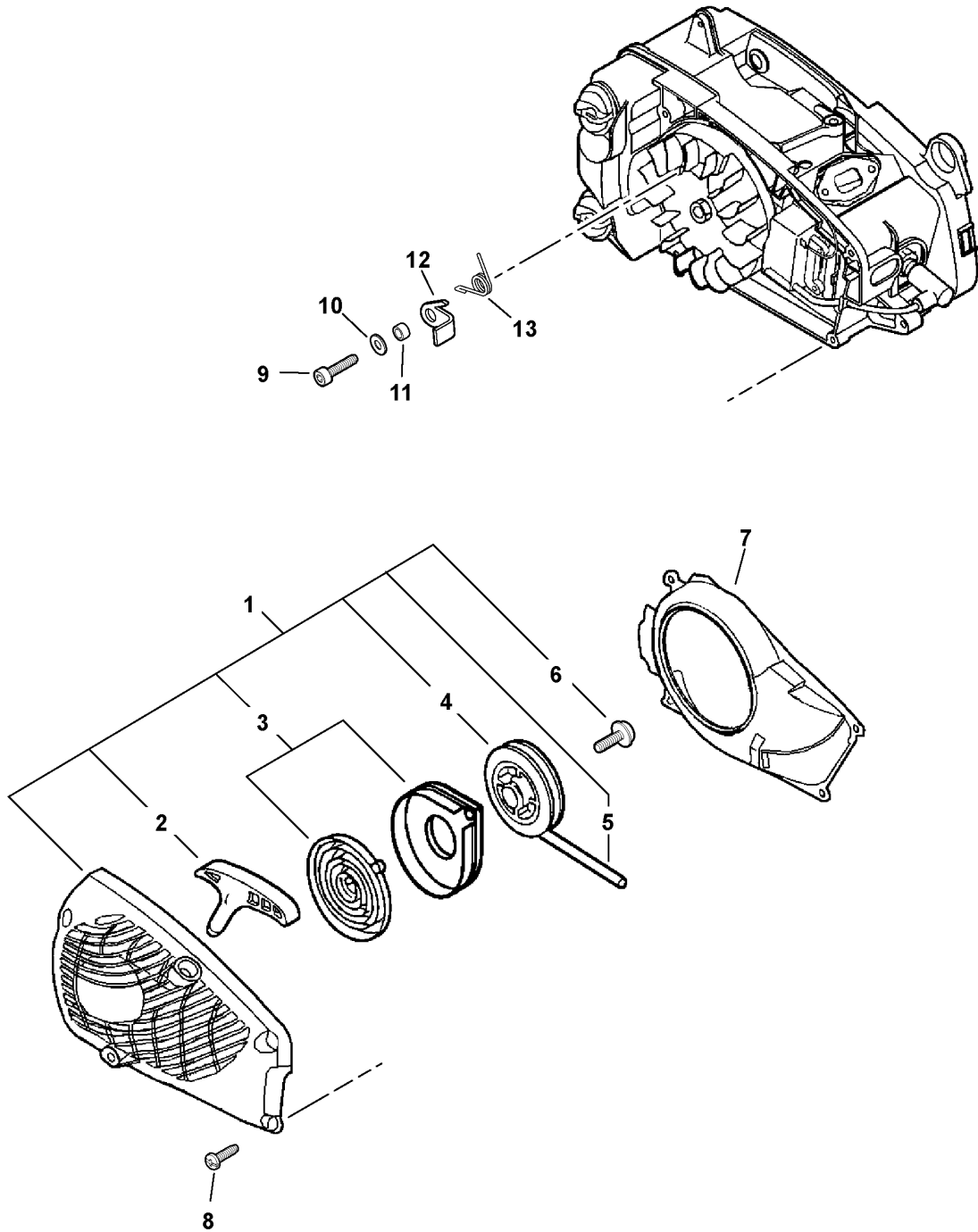
011 0005 000

ITEM	PART NUMBER	QTY	DESCRIPTION	REMARKS
1	A320000322	1	COVER, MUFFLER - GRAY	
2	A320000490	1	COVER, MUFFLER - ORANGE	
3	90025304016	3	SCREW 4X16 - TAPPING	
4	V376000740	1	SPACER	
5	9136704012	4	SCREW 4X12	
6	A313000721	1	GUIDE, EXHAUST	
7	V104000680	1	GASKET, EXHAUST	
8	A310000030	1	SCREEN	
9	A313000710	1	GUIDE, EXHAUST	
10	90050000005	2	NUT	
11	9228005000	2	WASHER	
12	14564213930	1	EYE PLATE	
13	A300000551	1	MUFFLER	
14	A301000020	1	GASKET, EXHAUST	



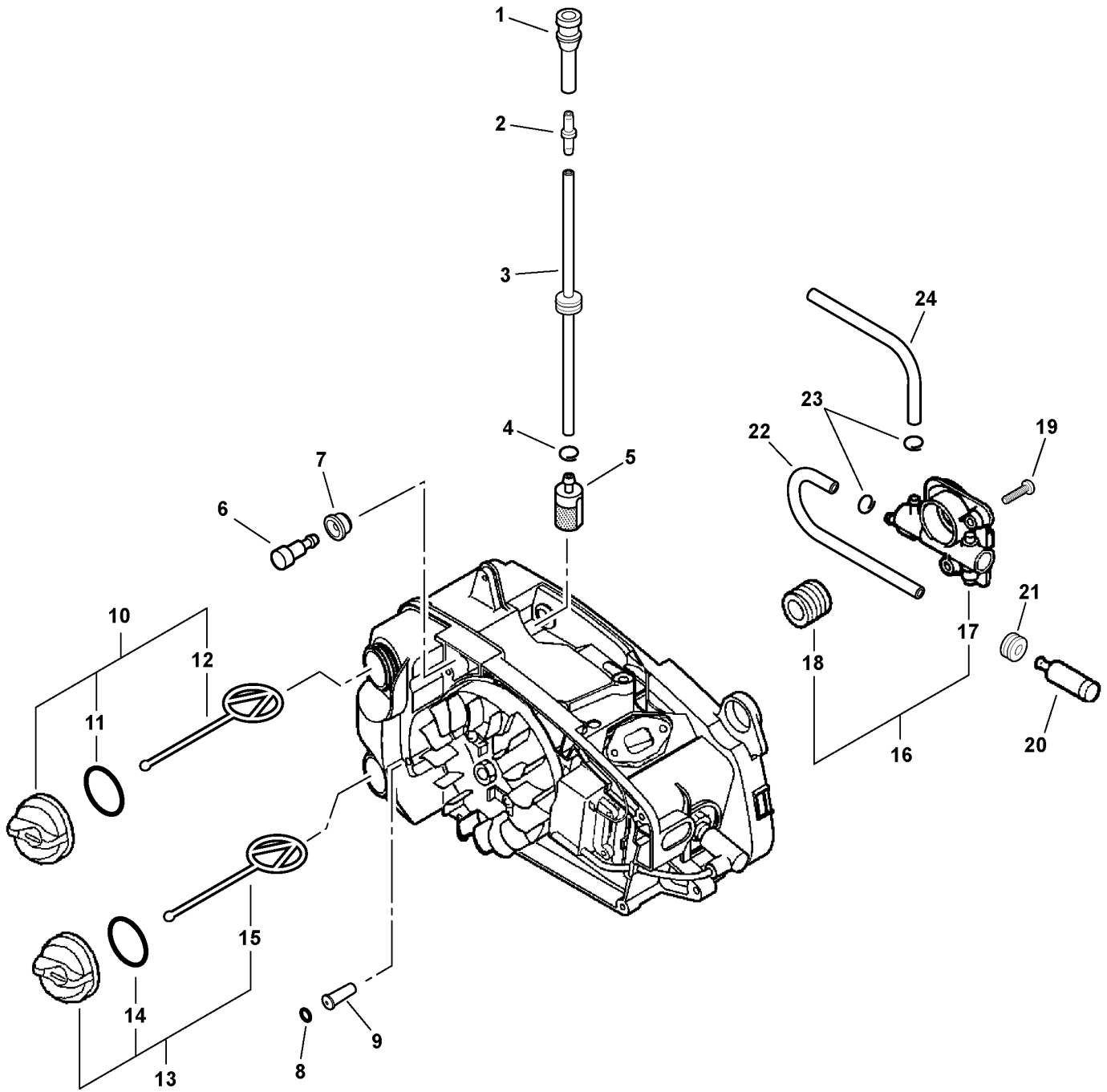
012 0005 00B

ITEM	PART NUMBER	QTY	DESCRIPTION	REMARKS
1	C400000371	1	HANDLE, FRONT	
2	10091815130	4	CAP	
3	10091532530	1	SCREW	
4	10091060030	1	CUSHION	
5	9148104035	1	SCREW 4X35 - TAPPING	
6	V352000020	1	COLLAR	
7	V400000021	2	CUSHION	
8	V202000020	2	BOLT	
9	10092139130	1	CUSHION	
10	P021009003	1	REAR HANDLE SET	INCLUDES ITEMS 11-13
11	90025604016	4	SCREW 4X16	
12	13002033330	2	NUT	
13	A202000051	1	BELLOWS, INTAKE	
14	90025305020	2	SCREW 5X20 - TAPPING	
15	V452000010	1	SPRING, THROTTLE TRIGGER	
16	C450000010	1	TRIGGER, THROTTLE	
17	C454000070	1	ROD, THROTTLE	
18	A253000043	1	LEVER, CHOKE	
19	A240000010	1	ROD, CHOKE	
20	C460000002	1	LOCKOUT, THROTTLE	
21	V486000010	1	TERMINAL, LEAD	
22	V485000340	1	LEAD, GROUND	
23	16201055930	1	LEAD, IGNITION	
24	A239000000	1	BELLOWS, INTAKE	
25	A127000130	1	COVER, DUST - GRAY	
26	A127000220	1	COVER, DUST - ORANGE	
27	90025304012	2	SCREW 4X12 - TAPPING	
28	90023805012	2	SCREW 5X12	
29	V359000060	1	COLLAR	
30	V470000481	1	PIPE	
31	90016204025	1	SCREW 4X25	
32	C626000040	1	BRACKET, HARNESS	
33	C646000050	1	RING, HARNESS	



015 0003 ORB

ITEM	PART NUMBER	QTY	DESCRIPTION	REMARKS
1	A051001330	1	STARTER ASY - ORANGE	INCLUDES ITEMS 2-6
2	P022005890	1	GRIP, STARTER	
3	P022010440	1	REWIND SPRING KIT	
4	P022010451	1	DRUM, STARTER	
5	P022005900	1	ROPE, STARTER - 3X920mm	REPOWER BULK OPTION: 99944440000
6	17723644330	1	SCREW	
7	A172000510	1	COVER, FAN	
8	V202000040	4	SCREW	
9	90010505014	2	SCREW 5X14	
10	90060300005	4	WASHER	
11	17724704630	2	SPACER	
12	A514000020	2	PAWL	
13	17723435430	2	SPRING, RETURN	

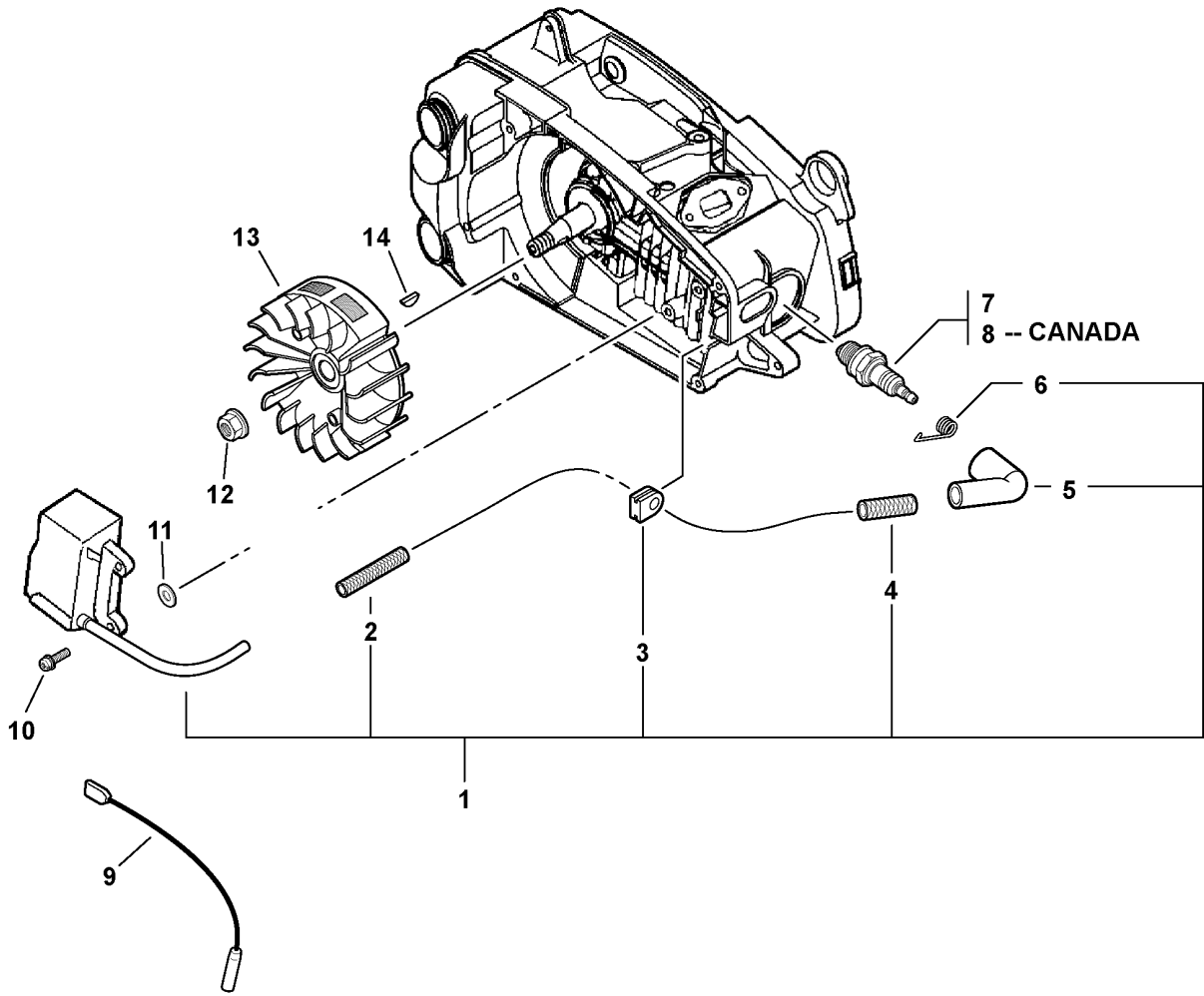


017 0003 000

ITEM	PART NUMBER	QTY	DESCRIPTION	REMARKS
1	V470000690	1	PIPE, FUEL	
2	V186000020	1	CONNECTOR	
3	V470000710	1	FUEL PIPE ASY	
4	13201309820	1	CLIP	
5	13120507320	1	FILTER, FUEL ¹	
6	A356000030	1	VENT ASY	
7	V137000000	1	GROMMET	
8	90072400004	1	O-RING	
9	43611413930	1	VALVE, CHECK	
10	P021005591	1	CAP ASY - ORANGE	INCLUDES ITEMS 11-12
11	90072000018	1	O-RING	
12	A365000050	1	CONNECTOR, CAP	
13	P021005581	1	CAP ASY - BLACK	INCLUDES ITEMS 14-15
14	90072000018	1	O-RING	
15	A365000050	1	CONNECTOR, CAP	
16	P021001980	1	AUTO-OILER ASY	INCLUDES ITEMS 17-18
17	C022000000	1	AUTO-OILER	
18	V652000010	1	GEAR, WORM	
19	90023804012	2	SCREW 4X12	
20	43620502832	1	FILTER, OIL	
21	13211501461	1	GROMMET, FUEL	
22	13011005260	1	PIPE, IMPULSE - 3X5X185mm	REPOWER BULK OPTION: 90014
23	13201326630	2	CLIP	
24	V471000760	1	PIPE, OIL - 3X6X90mm	

Footnotes

1: Also Included In REPOWER TUNE-UP KIT

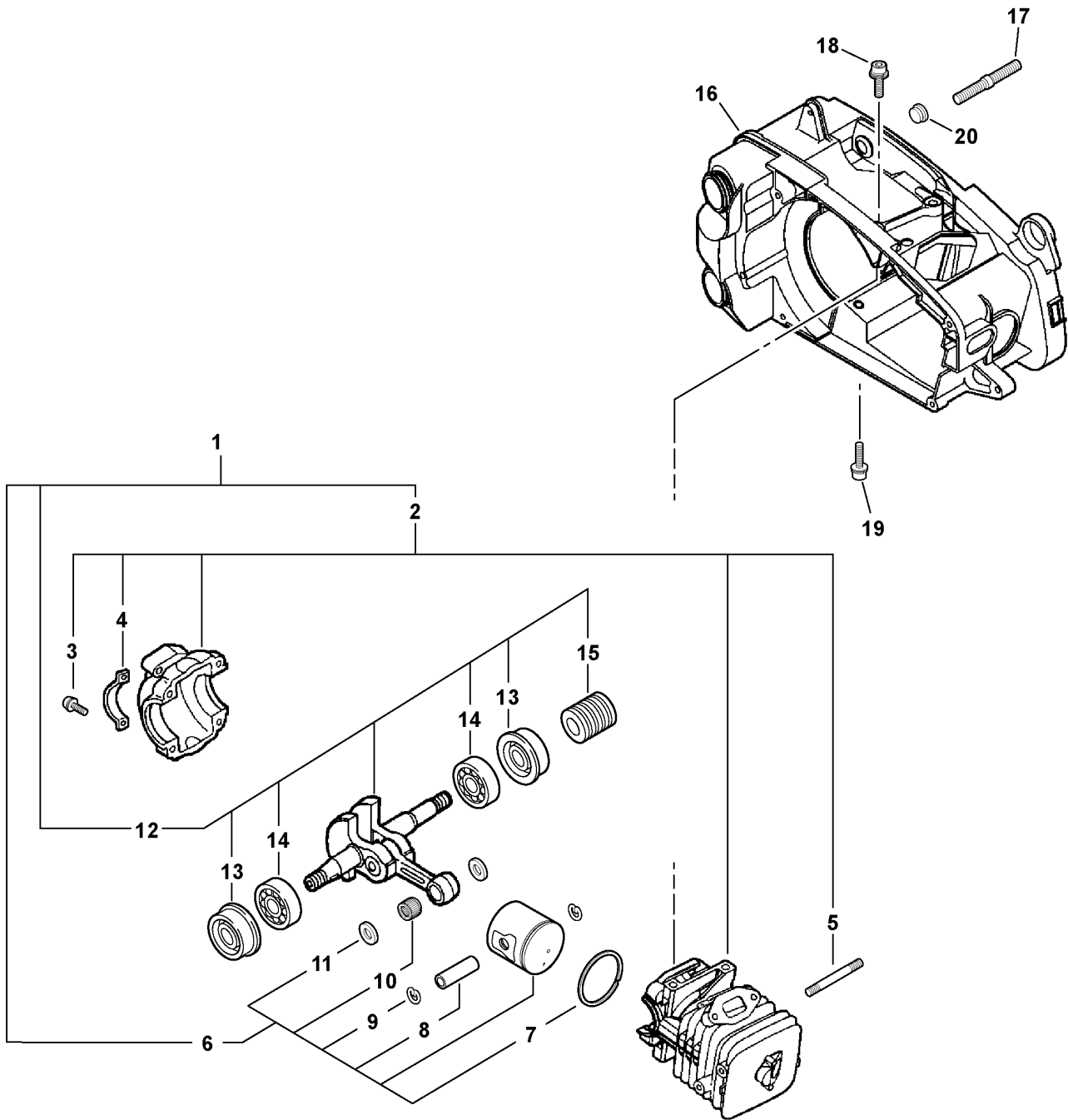


018 0004 000

ITEM	PART NUMBER	QTY	DESCRIPTION	REMARKS
1	A411000242	1	COIL KIT	INCLUDES ITEMS 2-6
2	P003001450	1	TUBE, INSULATOR	
3	15611004920	1	BUSHING	
4	P003001440	1	TUBE, INSULATOR	
5	A427000020	1	CAP, SPARK PLUG	
6	A426000020	1	TERMINAL, SPARK PLUG CAP	
7	15901019830	1	SPARK PLUG -- BPM-8Y ¹	
8	A425000000	1	SPARK PLUG -- BPMR-8Y ¹	
9	V485000590	1	LEAD, IGNITION	
10	90023805022	2	SCREW 5X22	
11	15011716430	2	SPACER	
12	90051500008	1	FLANGE NUT	
13	A409000241	1	FLYWHEEL	
14	10014212330	1	WOODRUFF KEY	

Footnotes

1: Also Included In REPOWER TUNE-UP KIT



SB1086 0000 ORB

ITEM	PART NUMBER	QTY	DESCRIPTION	REMARKS
1	SB1086	1	SHORT BLOCK	INCLUDES ITEMS 2-15
2	P021009032	1	CRANKCASE KIT	INCLUDES ITEMS 3-5
3	9112805025	4	SCREW 5X25	
4	V150001670	2	BRACKET, CRANKCASE	
5	V223000000	2	BOLT, STUD	
6	P021009040	1	PISTON KIT	INCLUDES ITEMS 7-11
7	A101000110	1	RING, PISTON	
8	10001315330	1	PIN, PISTON	
9	10001504630	2	CIRCLIP, PISTON PIN	
10	V553000040	1	BEARING, NEEDLE	
11	10001460930	2	SPACER, PISTON PIN	
12	P021008992	1	CRANKSHAFT ASY	INCLUDES ITEMS 13-15
13	V505000010	2	OIL SEAL	
14	9403536201	2	BEARING, BALL - 6201	
15	V652000010	1	GEAR, WORM	
16	A190000790	1	COVER, ENGINE - ORANGE	
17	V224000030	2	STUD, GUIDE BAR	
18	90010605020	2	SCREW 5X20	
19	90010605030	2	SCREW 5X30	
20	16391130130	1	PLUG	

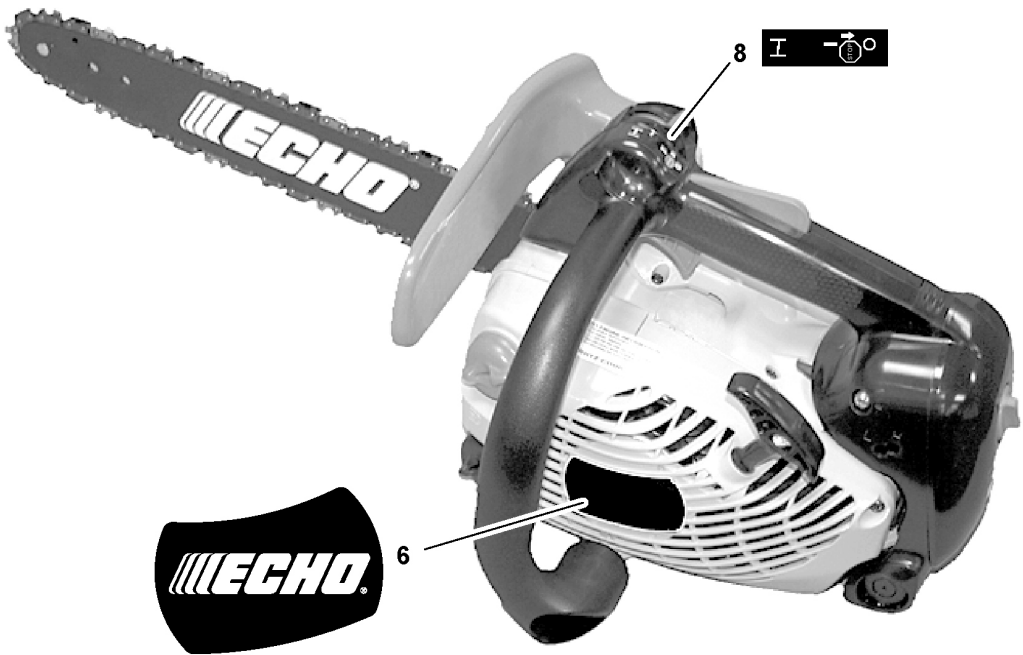
ADVERTENCIA PELIGRO
 Esta unidad puede ser peligrosa y producir lesiones personales graves si no se usa en forma adecuada. Para reducir el riesgo de lesiones, los operadores, los ayudantes y los espectadores deben leer y comprender el Manual Del Operador y los Manuales e seguridad que se entregan escritos en español.

GUIDE BAR PART NO.	CHAIN TYPE	REPLACEMENT BAR AND CHAIN LINKS	NOTE
12" 12AOE03745	OREGON 91VG	45	There may be other replacement components for achieving kickback protection. For details, please refer to the bar and chain combination sheet shown in the instruction manual.
14" 14AOE03750	OREGON 91VG	52	
16" 16AOE03757	OREGON 91VG	57	

CS-360T
WARNING! Read and follow all safety precautions in the instruction manual. Failure to follow instructions could result in serious personal injury.

TO AVOID KICKBACK
 1. Hold the chain saw firmly with both hands.
 2. Don't let the nose of the guide bar contact any obstruction.
 3. Tip contact may suddenly move the guide bar upward and backward, which may cause serious injury.

WARNING
 Lesen diese Bedienungsanleitung sorgfältig durch, und alle Sicherheitsmaßnahmen genau beachten. Versäumnis, diese Anweisungen zu befolgen, kann zu schweren Verletzungen führen. Lesen Sie die Bedienungsanleitung und die Sicherheitsanweisungen sorgfältig durch, um das Risiko von schweren Verletzungen zu vermeiden. Lesen Sie die Bedienungsanleitung und die Sicherheitsanweisungen sorgfältig durch, um das Risiko von schweren Verletzungen zu vermeiden.



100 0037 0US

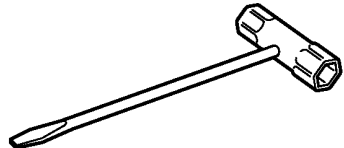
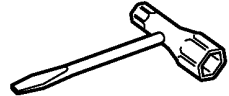
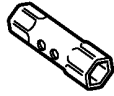

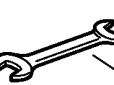

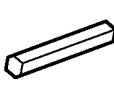

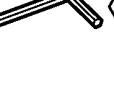


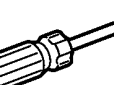
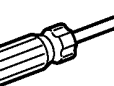

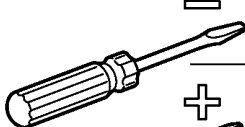
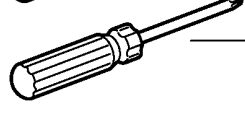

CS-360T Chain Saw

Labels

ITEM	PART NUMBER	QTY	DESCRIPTION	REMARKS
1	89022839131	1	LABEL, CAUTION	
2	X524001710	1	LABEL, BAR & CHAIN	
3	X502000340	1	LABEL - ECHO	
4	X505002060	1	LABEL, WARNING	
5	X505002310	1	LABEL - CAUTION -- HOT	
6	89019130131	1	LABEL - KICK BACK	
7	X503006590	1	LABEL - MODEL -- CS-360T	
8	X524001450	1	LABEL - STOP	
9	X502000620	1	LABEL - ECHO	

RePower Tune-Up Kit	Contains: Service Number	Description
900100	A226000291	AIR FILTER
	13120514930	FUEL FILTER
	15901019830	SPARK PLUG BPM-8Y

<u>ITEM</u>	<u>PART NUMBER</u>	<u>QTY</u>	<u>DESCRIPTION</u>	<u>REMARKS</u>
1	900100	1	REPOWER TUNE-UP KIT	

	1 - 89541010630 -- 17X19mm
	2 - X602000020 -- 17X19mm
	3 - 89541039131 -- 10X19mm
	4 - 89541006960 -- 13X19mm
	5 - X602000031 -- 17X14.5mm
	6 - 89751801131 -- 5X120mm
	7 - 89511200330 -- 8X10mm
	8 - 89512220960 -- 17X19mm
	9 - 89501505260 -- 10mm
	10 - 89541220960 -- 10mm
	11 - 89561203430 -- 3mm
	12 - 89561000130 -- 4mm
	13 - 89561100330 -- 5mm
	14 - X605000060 -- T27
	15 - 89581100130 -- 125mm
	16 - 89581203930 -- 50mm
	17 - 89757005560

Consult Your Owners Manual - Consulte a sus dueños manuales

200 0001 000

ITEM	PART NUMBER	QTY	DESCRIPTION	REMARKS
1	89541010630	1	SOCKET WRENCH/SCREWDRIVER	17X19mm
2	X602000020	1	SOCKET WRENCH/SCREWDRIVER	17X19mm
3	89541039131	1	SOCKET WRENCH/SCREWDRIVER	10X19mm
4	89541006960	1	SOCKET WRENCH/SCREWDRIVER	13X19mm
5	X602000031	1	SOCKET WRENCH	17X14.5mm
6	89751801131	1	LOCKING ROD	5X120mm
7	89511200330	1	OPEN END WRENCH	8X10mm
8	89512220960	1	OPEN END WRENCH	17X19mm
9	89501505260	1	OPEN END WRENCH	10mm
10	89541220960	1	HEX BAR	10mm
11	89561203430	1	HEX KEY	3mm
12	89561000130	1	HEX KEY	4mm
13	89561100330	1	HEX KEY	5mm
14	X605000060	1	TORX KEY	T27
15	89581100130	1	SCREWDRIVER	125mm SLOT HEAD
16	89581203930	1	SCREWDRIVER	50mm CROSS HEAD
17	89757005560	1	CHUCK KEY	



Part Number Index

Click The Page Number After Any Part Number To View The Diagram Containing That Part.

Part Number	Page	Part Number	Page	Part Number	Page
-----	5, 7	90025304012	11, 17	P003001140	7
10001315330	25	90025304016	15	P003001300	7
10001460930	25	90025305020	11, 17	P003001380	7
10001504630	25	90025604016	17	P003001390	7
10014212330	23	90033030260	11	P003001400	7
10091060030	17	90050000005	15	P003001410	7
10091532530	17	90051500008	23	P003001440	23
10091815130	17	90056250005	11	P003001450	23
10092139130	17	90060300005	19	P021001980	21
12311003930	7	90072000018	21	P021005581	21
12311337530	7	90072400004	21	P021005591	21
12311403930	7	9112805025	25	P021005810	13
12311405260	7	9131805032	11	P021008992	25
12311610860	7	9136704012	15	P021009003	17
12312052131	7	9148104035	17	P021009032	25
12312203660	7	91VG57CQ	9	P021009040	25
12312715030	7	9228005000	15	P021016470	11
12313002960	7	9305030098	11	P022005890	19
12313304260	7	9403536201	25	P022005900	19
12313903930	7	A021001120	7	P022010440	19
12314926030	7	A051001330	19	P022010451	19
13002033330	17	A056000070	13	SB1086	25
13011005260	21	A101000110	25	V104000680	15
13120507320	21	A127000130	17	V137000000	21
13201309820	21	A127000220	17	V150001670	25
13201326630	21	A172000510	19	V186000020	21
13211501461	21	A190000790	25	V202000020	17
14564213930	15	A202000051	17	V202000040	19
15011716430	23	A204000072	5	V203000041	11
15611004920	23	A226000291	5	V223000000	25
15901019830	23	A232000290	5	V224000030	25
16201055930	17	A235000040	5	V352000020	17
16391130130	25	A239000000	17	V353000060	11
16A0ED3757	9	A240000010	17	V355000140	11
17500539132	13	A253000043	17	V359000060	17
17501200831	13	A300000551	15	V376000450	11
17501439131	13	A301000020	15	V376000740	15
17723435430	19	A310000030	15	V400000021	17
17723644330	19	A313000710	15	V450000070	11
17724704630	19	A313000721	15	V451000470	13
2894901	9	A320000322	15	V452000010	17
43301903933	11	A320000490	15	V452000110	11
43302635430	11	A356000030	21	V470000481	17
43311635430	11	A365000050	21	V470000690	21
43316739130	11	A409000241	23	V470000710	21
43611413930	21	A411000242	23	V471000760	21
43620502832	21	A425000000	23	V485000340	17
89019130131	27	A426000020	23	V485000590	23
89022839131	27	A427000020	23	V486000010	17
89501505260	31	A514000020	19	V505000010	25
89511200330	31	A51000010	13	V553000040	25
89512220960	31	A552000020	13	V651000001	11
89541006960	31	C022000000	21	V651000011	11
89541010630	31	C300000420	11	V652000010	21, 25
89541039131	31	C304000000	11	X502000340	27
89541220960	31	C305000080	11	X502000620	27
89561000130	31	C309000030	11	X503006590	27
89561100330	31	C320000190	11	X505002060	27
89561203430	31	C328000030	11	X505002310	27
89581100130	31	C334000070	11	X524001450	27
89581203930	31	C345000310	11	X524001710	27
89751801131	31	C400000371	17	X602000020	31
89757005560	31	C450000010	17	X602000031	31
900100	29	C454000070	17	X605000060	31
90010505014	19	C460000002	17		
90010605020	25	C626000040	17		
90010605030	25	C646000050	17		
90016204025	17	P003000010	7		
90023804012	21	P003000140	7		
90023805012	17	P003000160	7		
90023805022	23	P003000240	7		
90023805050	5	P003000250	7		
90025304010	11	P003000380	7		



Part Description Index

Click The Page Number After Any Part Description To View The Diagram Containing That Part.

A

AUTO-OILER.....21
 AUTO-OILER ASY.....21

B

BAND, BRAKE.....11
 BEARING, BALL - 6201.....25
 BEARING, NEEDLE.....13, 25
 BELLOWS, INTAKE.....17
 BODY, CARBURETOR.....7
 BOLT.....17
 BOLT 5.....11
 BOLT, STUD.....25
 BRACKET, CRANKCASE.....25
 BRACKET, HARNESS.....17
 BUMPER, SPIKED.....11
 BUSHING.....23

C

CAP.....17
 CAP ASY - BLACK.....21
 CAP ASY - ORANGE.....21
 CAP, MIXTURE LIMITER.....7
 CAP, SPARK PLUG.....23
 CARBURETOR.....5
 CARBURETOR -- WT-728.....7
 CATCHER, CHAIN.....11
 CHAIN BRAKE ASY.....11
 CHUCK KEY.....31
 CIRCLIP.....7
 CIRCLIP, PISTON PIN.....25
 CLIP.....21
 CLUTCH ASY.....13
 CLUTCH SHOE SET.....13
 COIL KIT.....23
 COLLAR.....11, 17
 CONNECTOR.....21
 CONNECTOR, CAP.....21
 CONNECTOR, BRAKE.....11
 COVER, BRAKE - ORANGE.....11
 COVER, DUST - GRAY.....17
 COVER, DUST - ORANGE.....17
 COVER, ENGINE - ORANGE.....25
 COVER, FAN.....19
 COVER, FUEL PUMP.....7
 COVER, METERING DIAPHRAGM.....7
 COVER, MUFFLER - GRAY.....15
 COVER, MUFFLER - ORANGE.....15
 CRANKCASE KIT.....25
 CRANKSHAFT ASY.....25
 CUSHION.....17

D

DIAPHRAGM, FUEL PUMP.....7
 DIAPHRAGM, METERING.....7
 DRUM, CLUTCH.....13
 DRUM, STARTER.....19

E

EYE PLATE.....15

F

FILTER, AIR.....5
 FILTER, FUEL.....21
 FILTER, OIL.....21
 FLANGE NUT.....11, 23
 FLANGE NUT 5.....11
 FLYWHEEL.....23
 FUEL PIPE ASY.....21

G

GASKET, EXHAUST.....15
 GASKET, FUEL PUMP.....7
 GASKET, METERING DIAPHRAGM.....7
 GASKET/DIAPHRAGM KIT.....7
 GEAR, BEVEL.....11
 GEAR, WORM.....21, 25
 GRIP, STARTER.....19
 GROMMET.....21
 GROMMET, FUEL.....21
 GUARD, SPROCKET - ORANGE.....11
 GUIDE BAR - 16" -- Pro 91.....9
 GUIDE, EXHAUST.....15

H

HANDLE, FRONT.....17
 HEX BAR.....31
 HEX KEY.....31
 HUB, CLUTCH.....13

K

KICK GUARD KIT.....9
 KNOB, AIR CLEANER LID.....5

L

LABEL - KICK BACK.....27
 LABEL - CAUTION -- HOT.....27
 LABEL - ECHO.....27
 LABEL - MODEL -- CS-360T.....27
 LABEL - STOP.....27
 LABEL, BAR & CHAIN.....27
 LABEL, CAUTION.....27
 LABEL, WARNING.....27
 LEAD, GROUND.....17
 LEAD, IGNITION.....17, 23
 LEVER, BRAKE - BLACK.....11
 LEVER, CHOKE.....17
 LEVER, FAST IDLE.....7
 LEVER, METERING.....7
 LEVER, THROTTLE.....7
 LID, AIR CLEANER.....5
 LOCKING ROD.....31
 LOCKOUT, THROTTLE.....17

M

MOUNT, AIR FILTER.....5
 MUFFLER.....15

N

NEEDLE, ADJUSTMENT.....7
 NUT.....15, 17

O

OIL SEAL.....25
 OPEN END WRENCH.....31
 O-RING.....21

P

PAWL.....19
 PIN, METERING LEVER.....7
 PIN, PISTON.....25
 PIPE.....17
 PIPE, FUEL.....21
 PIPE, IMPULSE - 3X5X185mm.....21
 PIPE, OIL - 3X6X90mm.....21
 PISTON KIT.....25
 PLATE, CLUTCH.....13
 PLATE, SPROCKET GUARD.....11
 PLUG.....25
 PLUG, WELCH.....7

R

REAR HANDLE SET.....17
 REPAIR KIT.....7
 REPOWER TUNE-UP KIT.....29
 REWIND SPRING KIT.....19
 RING, HARNESS.....17
 RING, PISTON.....25
 ROD, CHOKE.....17
 ROD, THROTTLE.....17
 ROLLER.....11
 ROPE, STARTER - 3X920mm.....19

S

SAWING CHAIN - 16" -- XtraGUARD.....9
 SCREEN.....15
 SCREEN, INLET.....7
 SCREW.....17, 19
 SCREW 4X10.....11
 SCREW 4X12.....15, 21
 SCREW 4X12 - TAPPING.....11, 17
 SCREW 4X16.....17
 SCREW 4X16 - TAPPING.....15
 SCREW 4X25.....17
 SCREW 4X35 - TAPPING.....17
 SCREW 5X12.....17
 SCREW 5X14.....19
 SCREW 5X20.....25
 SCREW 5X20 - TAPPING.....11, 17
 SCREW 5X22.....23
 SCREW 5X25.....25
 SCREW 5X30.....25
 SCREW 5X32.....11
 SCREW 5X50.....5
 SCREW, CHOKE VALVE.....7
 SCREW, DIAPHRAGM COVER.....7
 SCREW, IDLE ADJUST.....7
 SCREW, METERING LEVER PIN.....7
 SCREW, PUMP COVER.....7
 SCREW, THROTTLE LEVER.....7
 SCREW, THROTTLE VALVE.....7
 SCREWDRIVER.....31
 SHAFT, CHOKE.....7
 SHAFT, THROTTLE.....7
 SHORT BLOCK.....25



Part Description Index (continued)

SOCKET WRENCH.....31
SOCKET WRENCH/SCREWDRIVER.....31
SPACER.....11, 15, 19, 23
SPACER 8X12X9.....11
SPACER, PISTON PIN.....25
SPARK PLUG -- BPM-8Y.....23
SPARK PLUG -- BPMR-8Y.....23
SPRING.....11
SPRING, CHOKE RETURN.....7
SPRING, CLUTCH.....13
SPRING, IDLE ADJUST.....7
SPRING, METERING LEVER.....7
SPRING, RETURN.....19
SPRING, THROTTLE RETURN.....7
SPRING, THROTTLE TRIGGER.....17
STARTER ASY - ORANGE.....19
STUD, GUIDE BAR.....25

T

TENSIONER, CHAIN.....11
TERMINAL, LEAD.....17
TERMINAL, SPARK PLUG CAP.....23
TORX KEY.....31
TRIGGER, THROTTLE.....17
TUBE, INSULATOR.....23

V

VALVE, CHECK.....21
VALVE, CHOKE.....7
VALVE, INLET NEEDLE.....7
VALVE, THROTTLE.....7
VENT ASY.....21

W

WASHER.....7, 13, 15, 19
WOODRUFF KEY.....23

NOTES



ECHO, INCORPORATED

400 Oakwood Road
Lake Zurich, IL 60047 USA

WWW.ECHO-USA.COM
