



---

## OPTIONAL ATTACHMENTS & ACCESSORIES

### Accessories

103942147	CS Carry Bag
103942148	CS Camouflage Carry Bag
89850308034	Bar & Chain Cover
99988800307	Debris Shield
99988800309	CS Lanyard Strap w_Snap
99988801207	ToughChest-24 Chain Saw Case

### Guide Bars

12A0CD3745	Guide Bar - 12" (.050" Ga)
12A0ED3745	Guide Bar - 12" (.050" Ga)
14A0CD3752	Guide Bar - 14" (.050" Ga)
14A0ED3752	Guide Bar - 14" (.050" Ga)
16A0CD3757	Guide Bar - 16" (.050" Ga)
16A0ED3757	Guide Bar - 16" (.050" Ga)

### Sawing Chains

91VG45CQ	Sawing Chain - 12" (.050" Ga)
91VG52CQ	Sawing Chain - 14" (.050" Ga)
91VG57CQ	Sawing Chain - 16" (.050" Ga)

# PARTS CATALOG

## CS-360T Chain Saw

**36.3cc**

### **SERIAL NUMBERS**

---

S/N: C07811001001 - C07811999999

---

**ECHO, INCORPORATED**

400 Oakwood Road Lake Zurich, Illinois 60047 USA

WWW.ECHO-USA.COM



# Table of Contents

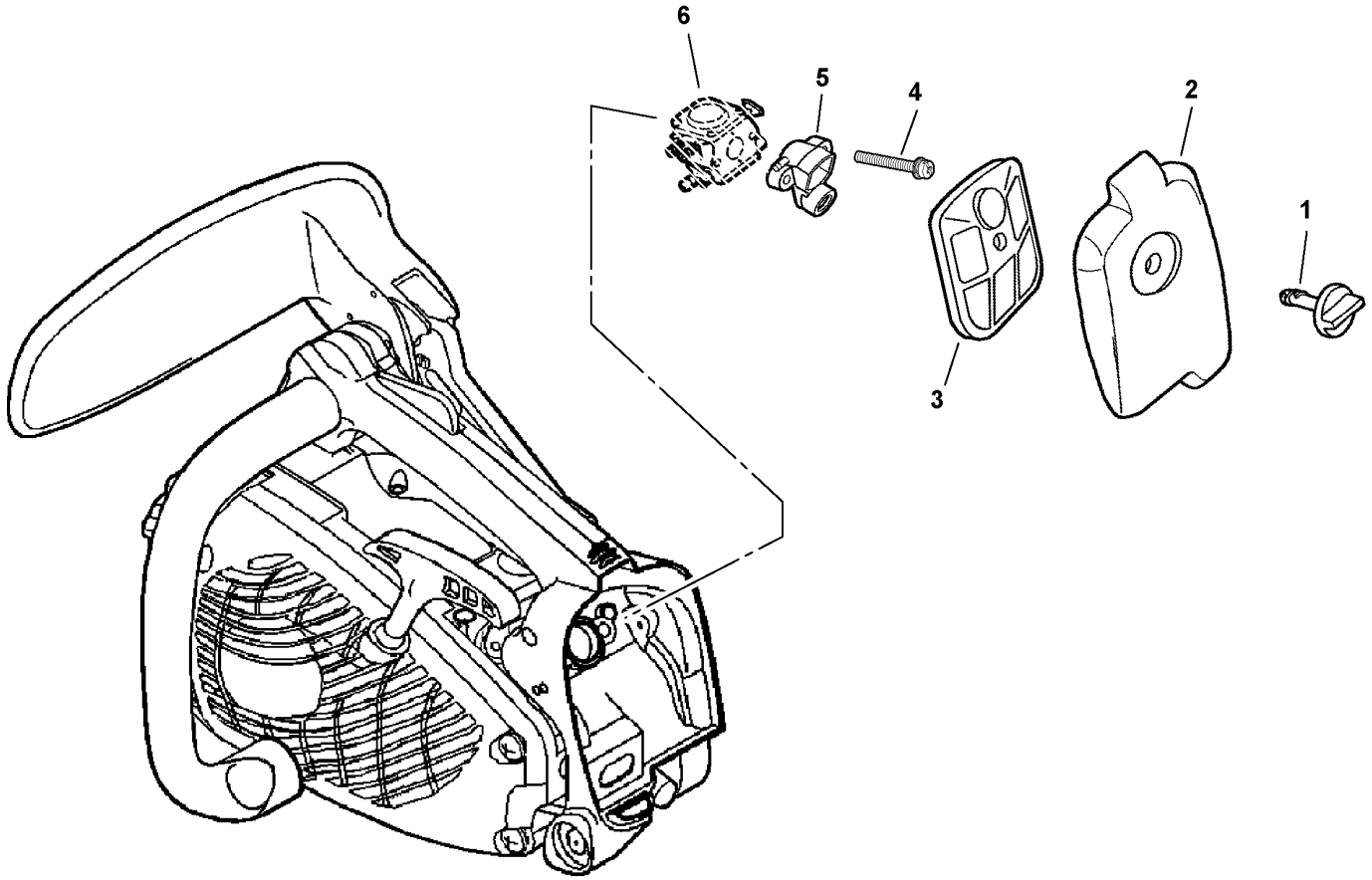
---

Click Any Diagram Description Below To View That Diagram.

## **CS-360T S/N: C07811001001 - C07811999999**

Intake.....	4
Carburetor -- WT-728.....	6
Standard Guide Bar, Sawing Chain, Kick Guard.....	8
Chain Brake -- GRAY MODELS.....	10
Chain Brake -- ORANGE MODELS.....	12
Clutch.....	14
Exhaust.....	16
Handles, Throttle Control.....	18
Starter -- GRAY MODELS.....	20
Starter -- ORANGE MODELS.....	22
Fuel System, Auto-Oiler.....	24
Ignition.....	26
Engine, Short Block -- SB1086 - GRAY MODELS.....	28
Engine, Short Block -- SB1086 - ORANGE MODELS.....	30
Labels.....	32
RePower Tune-Up Kit.....	34
Tools.....	36
Part Number Index.....	38
Part Description Index.....	39

***This Page Intentionally Left Blank***

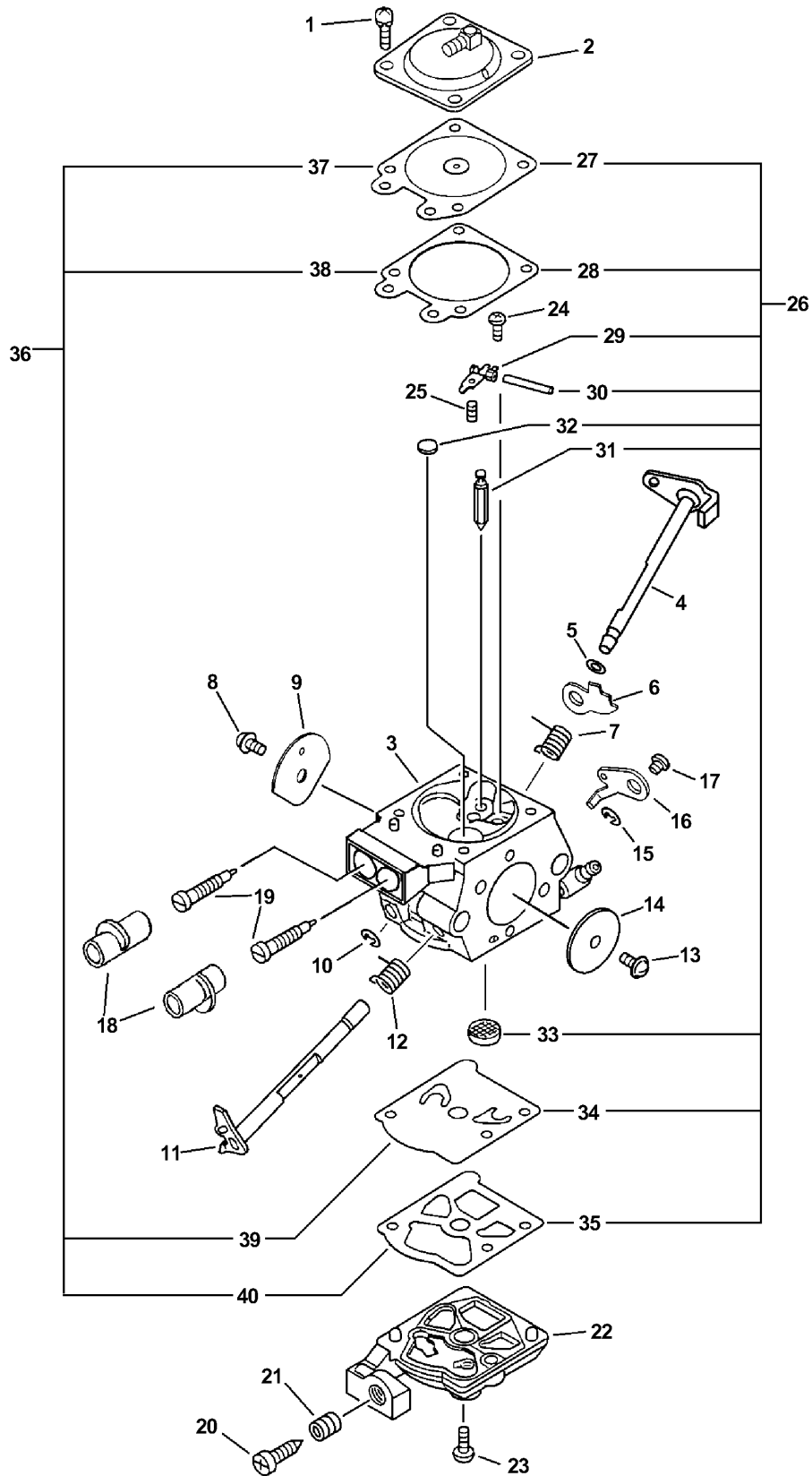


010 0006 000

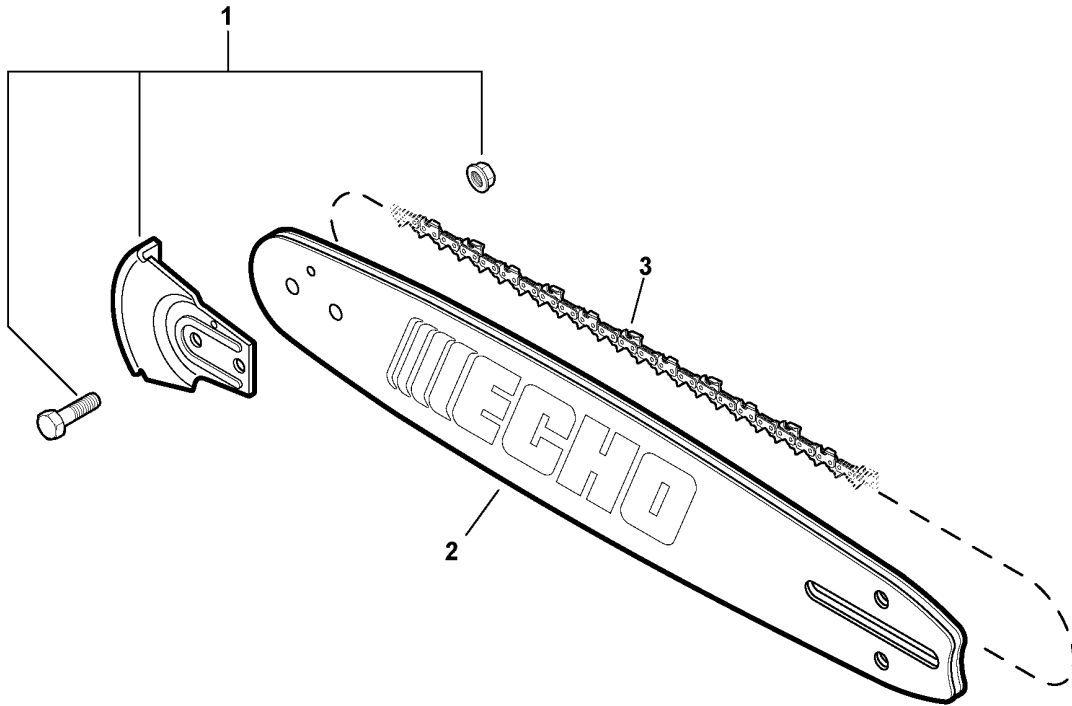
ITEM	PART NUMBER	QTY	DESCRIPTION	REMARKS
1	A235000040	1	KNOB, AIR CLEANER LID	
2	A232000290	1	LID, AIR CLEANER	
3	A226000291	1	FILTER, AIR <sup>1</sup>	
4	90023805050	2	SCREW 5X50	
5	A204000072	1	MOUNT, AIR FILTER	
6	-----	1	CARBURETOR <sup>2</sup>	

**Footnotes**

- 1:** Also Included In REPOWER TUNE-UP KIT
- 2:** See Carburetor Diagram For Additional Information



ITEM	PART NUMBER	QTY	DESCRIPTION	REMARKS
	A021001120	1	CARBURETOR -- WT-728	
1	12313002960	4	SCREW, DIAPHRAGM COVER	
2	P003001390	1	COVER, METERING DIAPHRAGM	
3	-----	1	BODY, CARBURETOR	NOT AVAILABLE SEPARATELY
4	P003001140	1	SHAFT, CHOKE	
5	12314926030	1	WASHER	
6	P003000160	1	LEVER, FAST IDLE	
7	P003000140	1	SPRING, CHOKE RETURN	
8	12311403930	1	SCREW, CHOKE VALVE	
9	P003001410	1	VALVE, CHOKE	
10	12312715030	1	CIRCLIP	
11	P003001300	1	SHAFT, THROTTLE	
12	12311337530	1	SPRING, THROTTLE RETURN	
13	12311405260	1	SCREW, THROTTLE VALVE	
14	12311610860	1	VALVE, THROTTLE	
15	12312715030	1	CIRCLIP	
16	P003000380	1	LEVER, THROTTLE	
17	12311403930	1	SCREW, THROTTLE LEVER	
18	P003000010	2	CAP, MIXTURE LIMITER	
19	12312052131	2	NEEDLE, ADJUSTMENT	
20	P003001400	1	SCREW, IDLE ADJUST	
21	12313304260	1	SPRING, IDLE ADJUST	
22	P003001380	1	COVER, FUEL PUMP	
23	12311003930	1	SCREW, PUMP COVER	
24	12313903930	1	SCREW, METERING LEVER PIN	
25	12312203660	1	SPRING, METERING LEVER	
26	P003000250	1	REPAIR KIT	INCLUDES ITEM 27-35
27	-----	1	DIAPHRAGM, METERING	
28	-----	1	GASKET, METERING DIAPHRAGM	
29	-----	1	LEVER, METERING	
30	-----	1	PIN, METERING LEVER	
31	-----	1	VALVE, INLET NEEDLE	
32	-----	1	PLUG, WELCH	
33	-----	1	SCREEN, INLET	
34	-----	1	DIAPHRAGM, FUEL PUMP	
35	-----	1	GASKET, FUEL PUMP	
36	P003000240	1	GASKET/DIAPHRAGM KIT	INCLUDES ITEM 37-40
37	-----	1	DIAPHRAGM, METERING	
38	-----	1	GASKET, METERING DIAPHRAGM	
39	-----	1	DIAPHRAGM, FUEL PUMP	
40	-----	1	GASKET, FUEL PUMP	



016 0002 000



**CS-360T Chain Saw**

**Standard Guide Bar, Sawing Chain, Kick Guard**

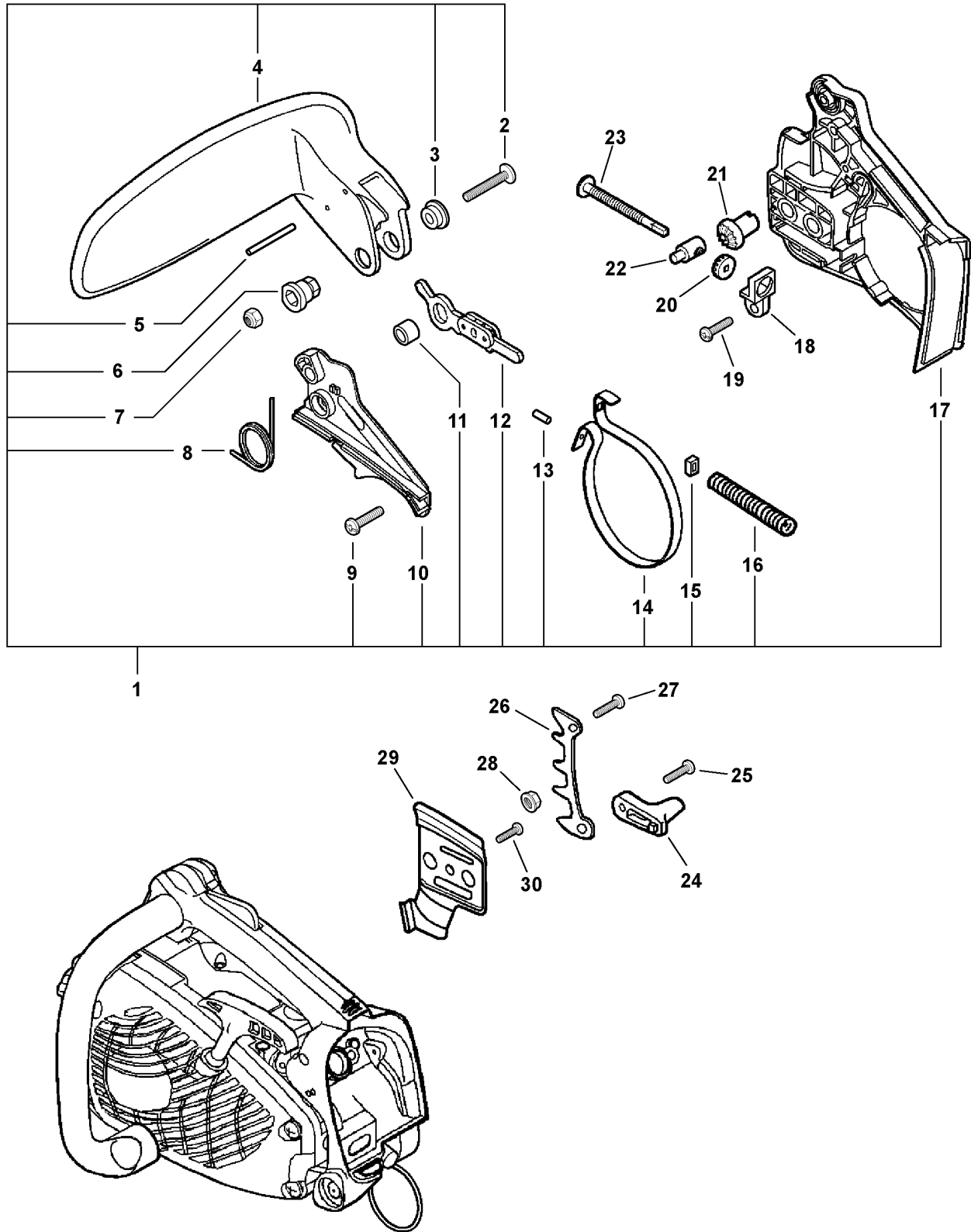
---

<u>ITEM</u>	<u>PART NUMBER</u>	<u>QTY</u>	<u>DESCRIPTION</u>	<u>REMARKS</u>
1	2894901	1	KICK GUARD KIT	
2	16A0ED3757	1	GUIDE BAR - 16" -- Pro 91	GAUGE: .050"
3	91VG57CQ	1	SAWING CHAIN - 16" -- XtraGUARD <sup>1</sup>	GAUGE: .050" / PITCH: .375"

---

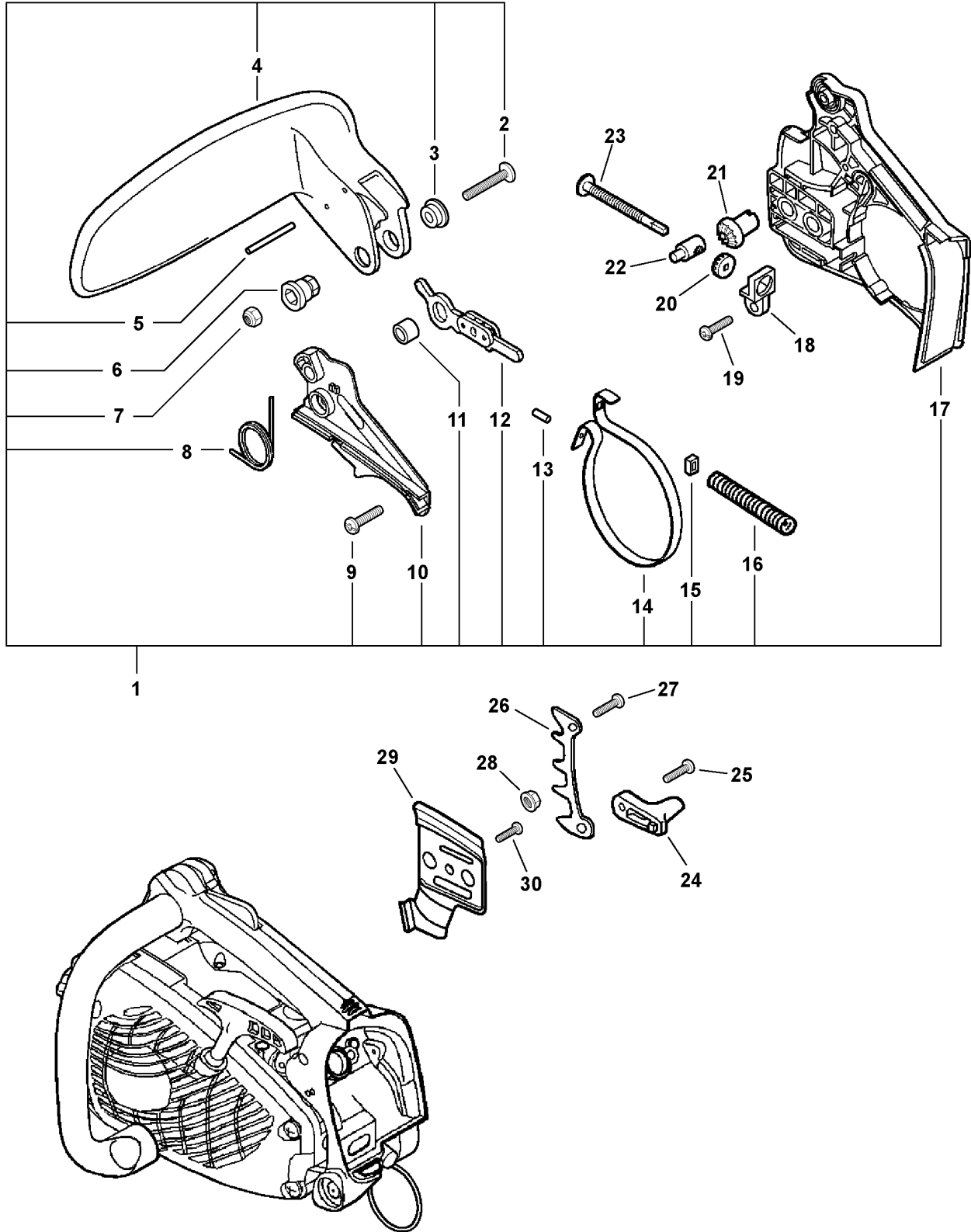
**Footnotes**

1: Low Vibration



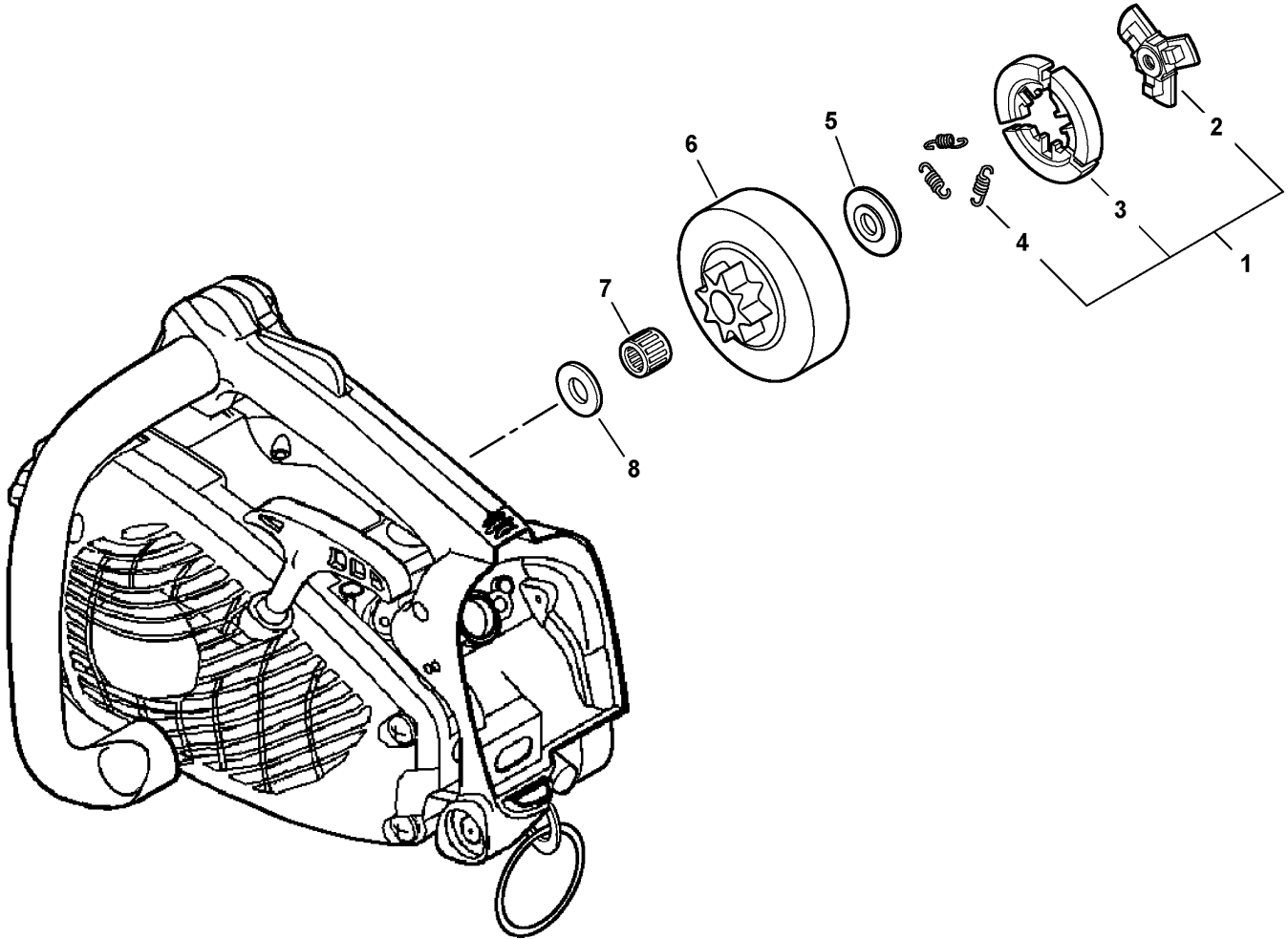
013 0006 GRA

ITEM	PART NUMBER	QTY	DESCRIPTION	REMARKS
1	C032000261	1	CHAIN BRAKE ASY	INCLUDES ITEMS 2-17
2	9131805032	1	SCREW 5X32	
3	43316739130	1	SPACER	
4	C320000090	1	LEVER, BRAKE - ORANGE	
5	90033030260	2	ROLLER	
6	V353000060	1	COLLAR	
7	90056250005	1	FLANGE NUT 5	
8	V452000110	1	SPRING	
9	90025304012	3	SCREW 4X12 - TAPPING	
10	C345000191	1	COVER, BRAKE - GRAY	
11	43311635430	1	SPACER 8X12X9	
12	C334000070	1	CONNECTOR, BRAKE	
13	9305030098	1	ROLLER	
14	C328000030	1	BAND, BRAKE	
15	V376000450	1	SPACER	
16	V450000070	1	SPRING	
17	C300000291	1	GUARD, SPROCKET - GRAY	
18	V355000140	1	COLLAR	
19	90025304012	1	SCREW 4X12 - TAPPING	
20	V651000011	1	GEAR, BEVEL	
21	V651000001	1	GEAR, BEVEL	
22	C309000030	1	TENSIONER, CHAIN	
23	V203000041	1	BOLT 5	
24	43302635430	1	CATCHER, CHAIN	
25	90025305020	1	SCREW 5X20 - TAPPING	
26	C304000000	1	BUMPER, SPIKED	
27	90025305020	1	SCREW 5X20 - TAPPING	
28	43301903933	2	FLANGE NUT	
29	C305000080	1	PLATE, SPROCKET GUARD	
30	90025304010	1	SCREW 4X10	



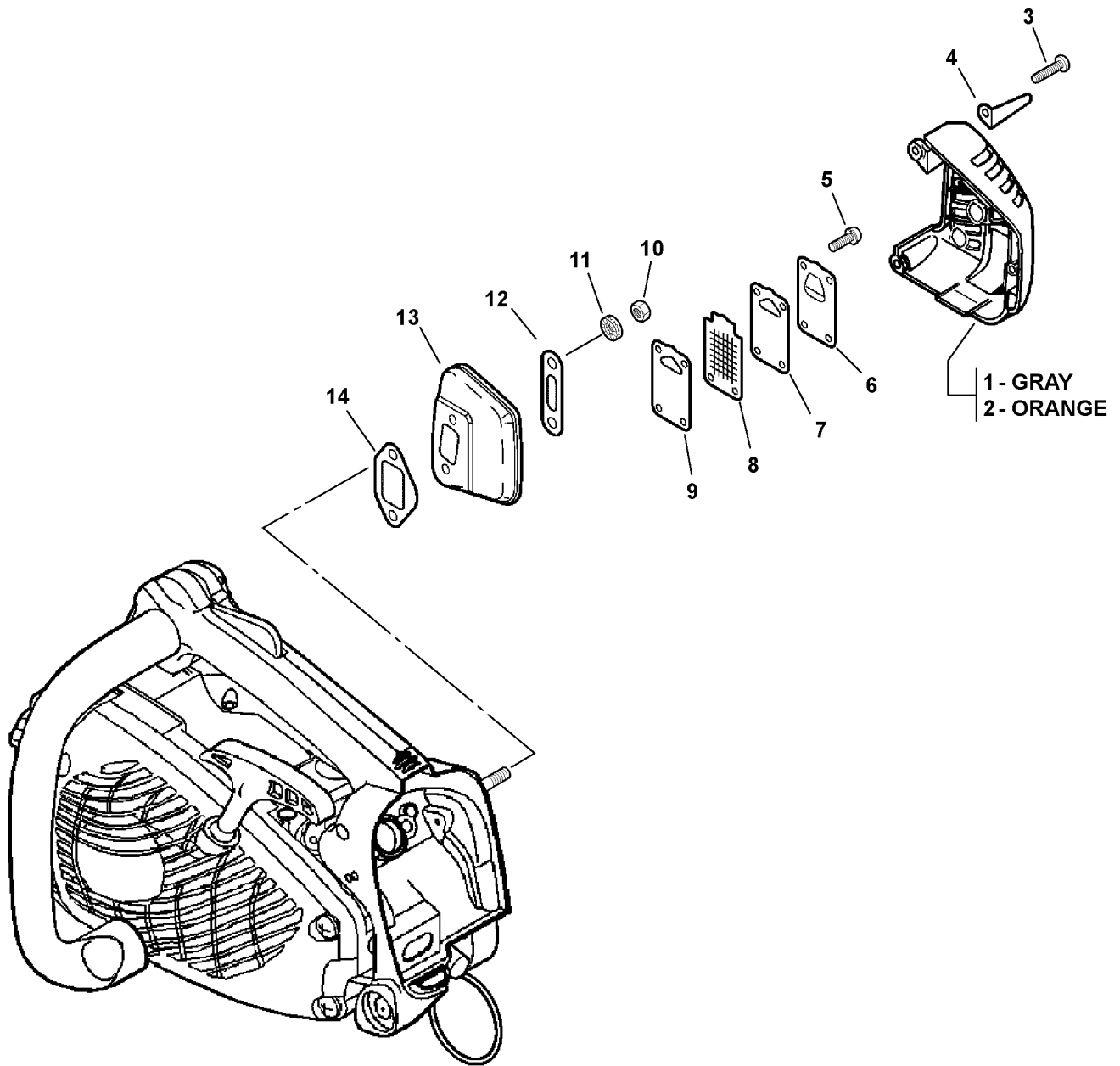
013 0006 ORA

ITEM	PART NUMBER	QTY	DESCRIPTION	REMARKS
1	P021016470	1	CHAIN BRAKE ASY	INCLUDES ITEMS 2-17
2	9131805032	1	SCREW 5X32	
3	43316739130	1	SPACER	
4	C320000190	1	LEVER, BRAKE - BLACK	
5	90033030260	2	ROLLER	
6	V353000060	1	COLLAR	
7	90056250005	1	FLANGE NUT 5	
8	V452000110	1	SPRING	
9	90025304012	3	SCREW 4X12 - TAPPING	
10	C345000310	1	COVER, BRAKE - ORANGE	
11	43311635430	1	SPACER 8X12X9	
12	C334000070	1	CONNECTOR, BRAKE	
13	9305030098	1	ROLLER	
14	C328000030	1	BAND, BRAKE	
15	V376000450	1	SPACER	
16	V450000070	1	SPRING	
17	C300000420	1	GUARD, SPROCKET - ORANGE	
18	V355000140	1	COLLAR	
19	90025304012	1	SCREW 4X12 - TAPPING	
20	V651000011	1	GEAR, BEVEL	
21	V651000001	1	GEAR, BEVEL	
22	C309000030	1	TENSIONER, CHAIN	
23	V203000041	1	BOLT 5	
24	43302635430	1	CATCHER, CHAIN	
25	90025305020	1	SCREW 5X20 - TAPPING	
26	C304000000	1	BUMPER, SPIKED	
27	90025305020	1	SCREW 5X20 - TAPPING	
28	43301903933	2	FLANGE NUT	
29	C305000080	1	PLATE, SPROCKET GUARD	
30	90025304010	1	SCREW 4X10	



014 0004 000

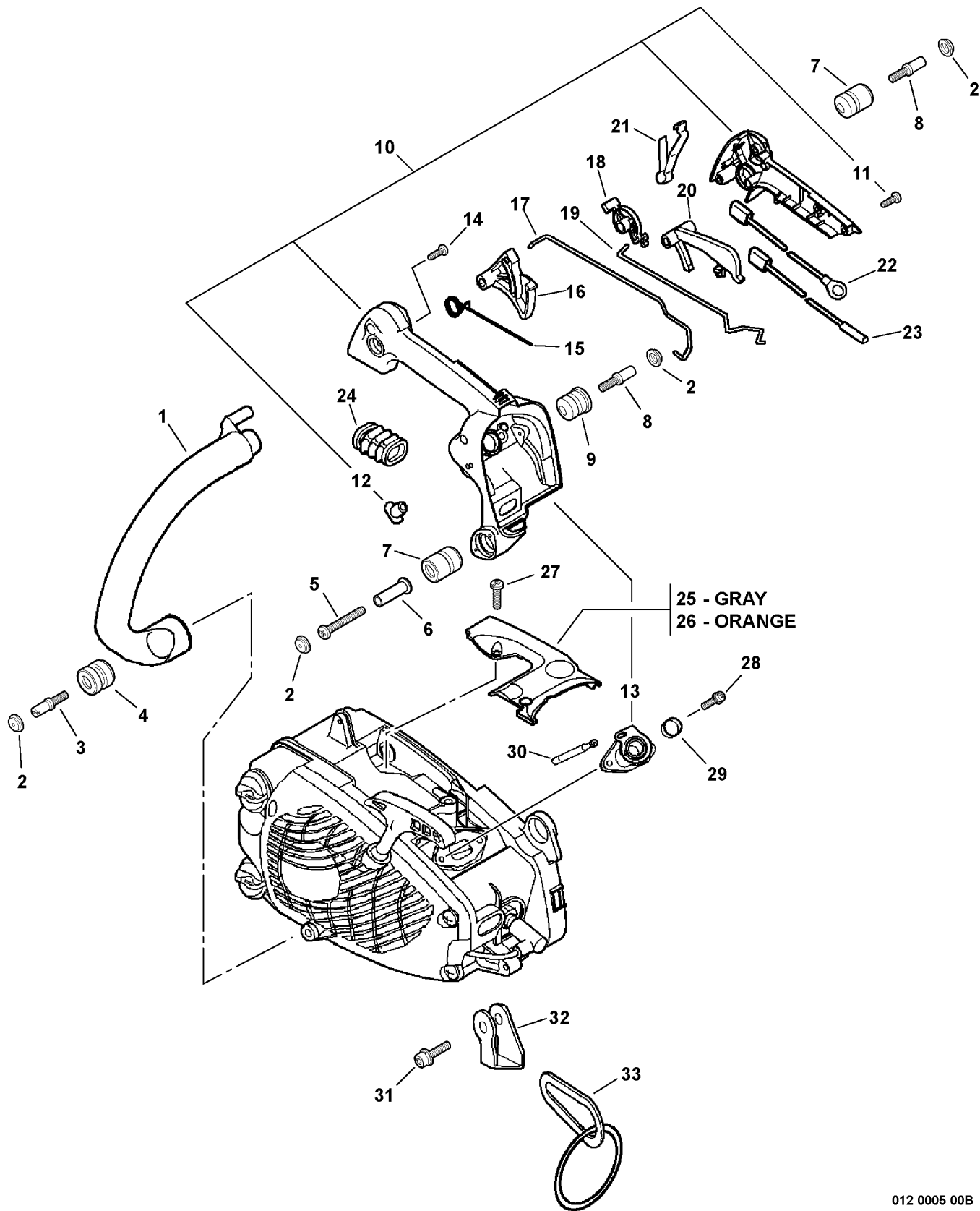
ITEM	PART NUMBER	QTY	DESCRIPTION	REMARKS
1	A056000070	1	CLUTCH ASY	INCLUDES ITEMS 2-4
2	A552000020	1	HUB, CLUTCH	
3	P021005810	1	CLUTCH SHOE SET	
4	V451000470	3	SPRING, CLUTCH	
5	A551000010	1	PLATE, CLUTCH	
6	17500539132	1	DRUM, CLUTCH	
7	17501200831	1	BEARING, NEEDLE	
8	17501439131	1	WASHER	



011 0005 000

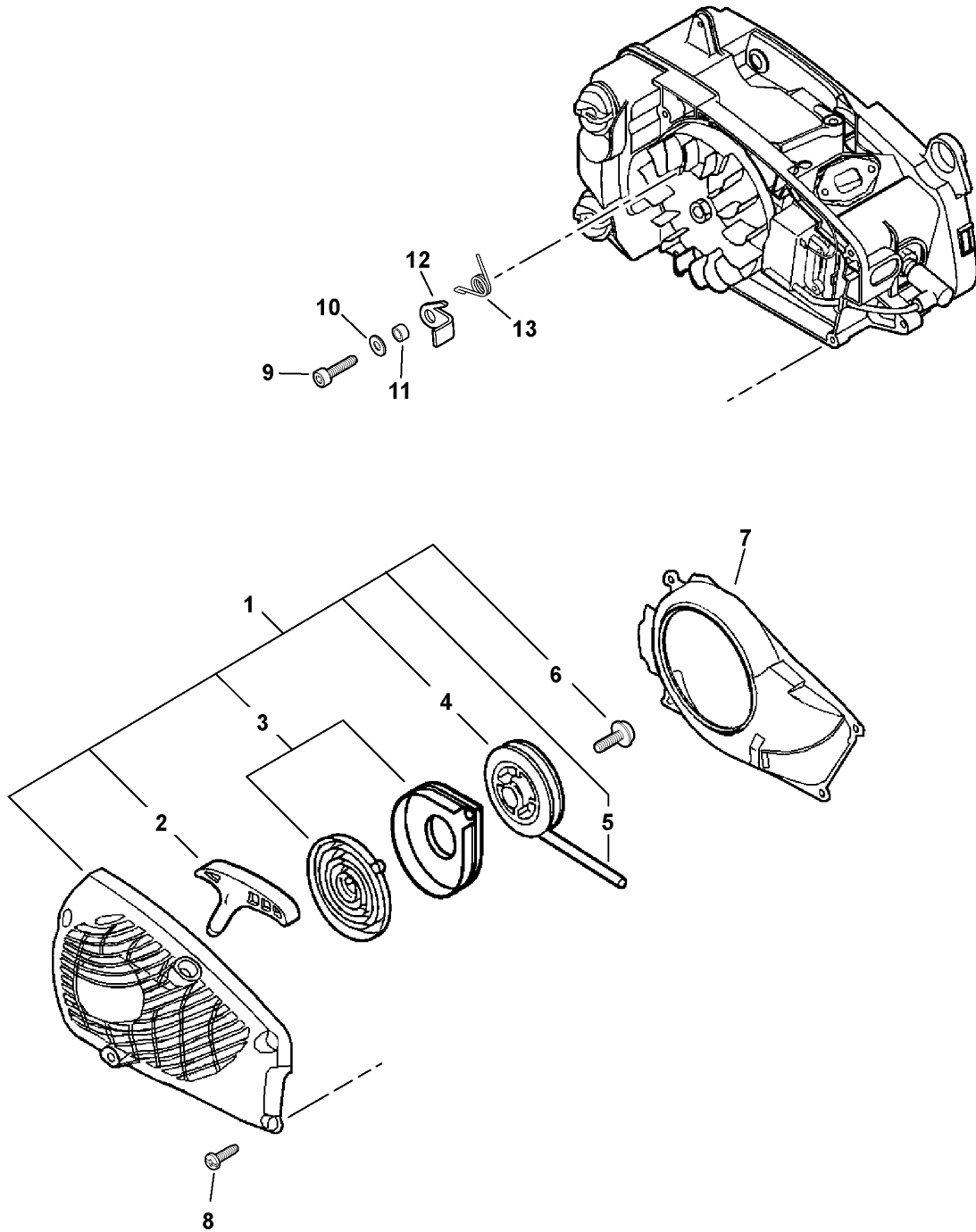


ITEM	PART NUMBER	QTY	DESCRIPTION	REMARKS
1	A320000322	1	COVER, MUFFLER - GRAY	
2	A320000490	1	COVER, MUFFLER - ORANGE	
3	90025304016	3	SCREW 4X16 - TAPPING	
4	V376000740	1	SPACER	
5	9136704012	4	SCREW 4X12	
6	A313000721	1	GUIDE, EXHAUST	
7	V104000680	1	GASKET, EXHAUST	
8	A310000030	1	SCREEN	
9	A313000710	1	GUIDE, EXHAUST	
10	90050000005	2	NUT	
11	9228005000	2	WASHER	
12	14564213930	1	EYE PLATE	
13	A300000551	1	MUFFLER	
14	A301000020	1	GASKET, EXHAUST	



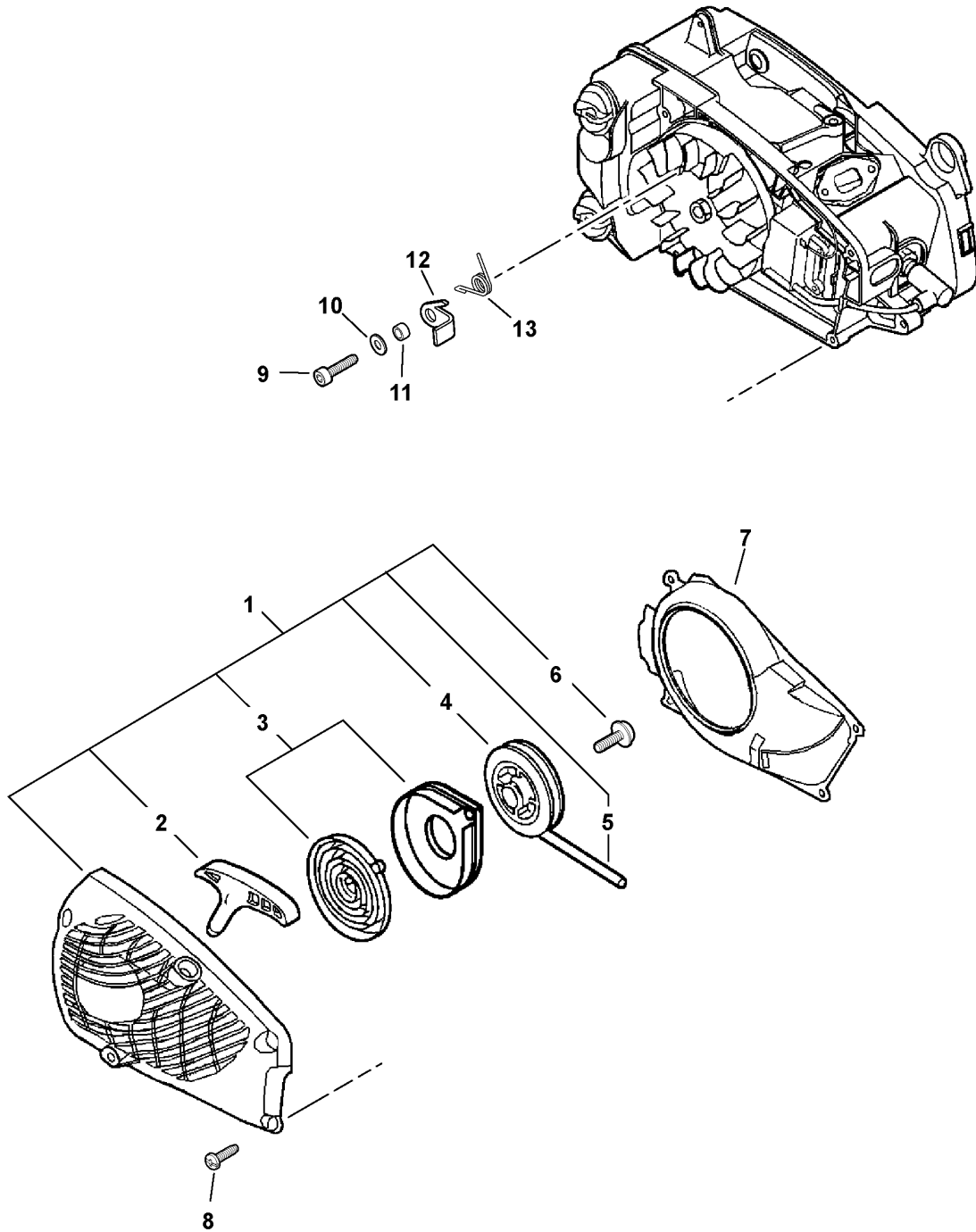
012 0005 00B

ITEM	PART NUMBER	QTY	DESCRIPTION	REMARKS
1	C400000371	1	HANDLE, FRONT	
2	10091815130	4	CAP	
3	10091532530	1	SCREW	
4	10091060030	1	CUSHION	
5	9148104035	1	SCREW 4X35 - TAPPING	
6	V352000020	1	COLLAR	
7	V400000021	2	CUSHION	
8	V202000020	2	BOLT	
9	10092139130	1	CUSHION	
10	P021009003	1	REAR HANDLE SET	INCLUDES ITEMS 11-13
11	90025604016	4	SCREW 4X16	
12	13002033330	2	NUT	
13	A202000051	1	BELLOWS, INTAKE	
14	90025305020	2	SCREW 5X20 - TAPPING	
15	V452000010	1	SPRING, THROTTLE TRIGGER	
16	C450000010	1	TRIGGER, THROTTLE	
17	C454000070	1	ROD, THROTTLE	
18	A253000043	1	LEVER, CHOKE	
19	A240000010	1	ROD, CHOKE	
20	C460000002	1	LOCKOUT, THROTTLE	
21	V486000010	1	TERMINAL, LEAD	
22	V485000340	1	LEAD, GROUND	
23	16201055930	1	LEAD, IGNITION	
24	A239000000	1	BELLOWS, INTAKE	
25	A127000130	1	COVER, DUST - GRAY	
26	A127000220	1	COVER, DUST - ORANGE	
27	90025304012	2	SCREW 4X12 - TAPPING	
28	90023805012	2	SCREW 5X12	
29	V359000060	1	COLLAR	
30	V470000481	1	PIPE	
31	90016204025	1	SCREW 4X25	
32	C626000040	1	BRACKET, HARNESS	
33	C646000050	1	RING, HARNESS	



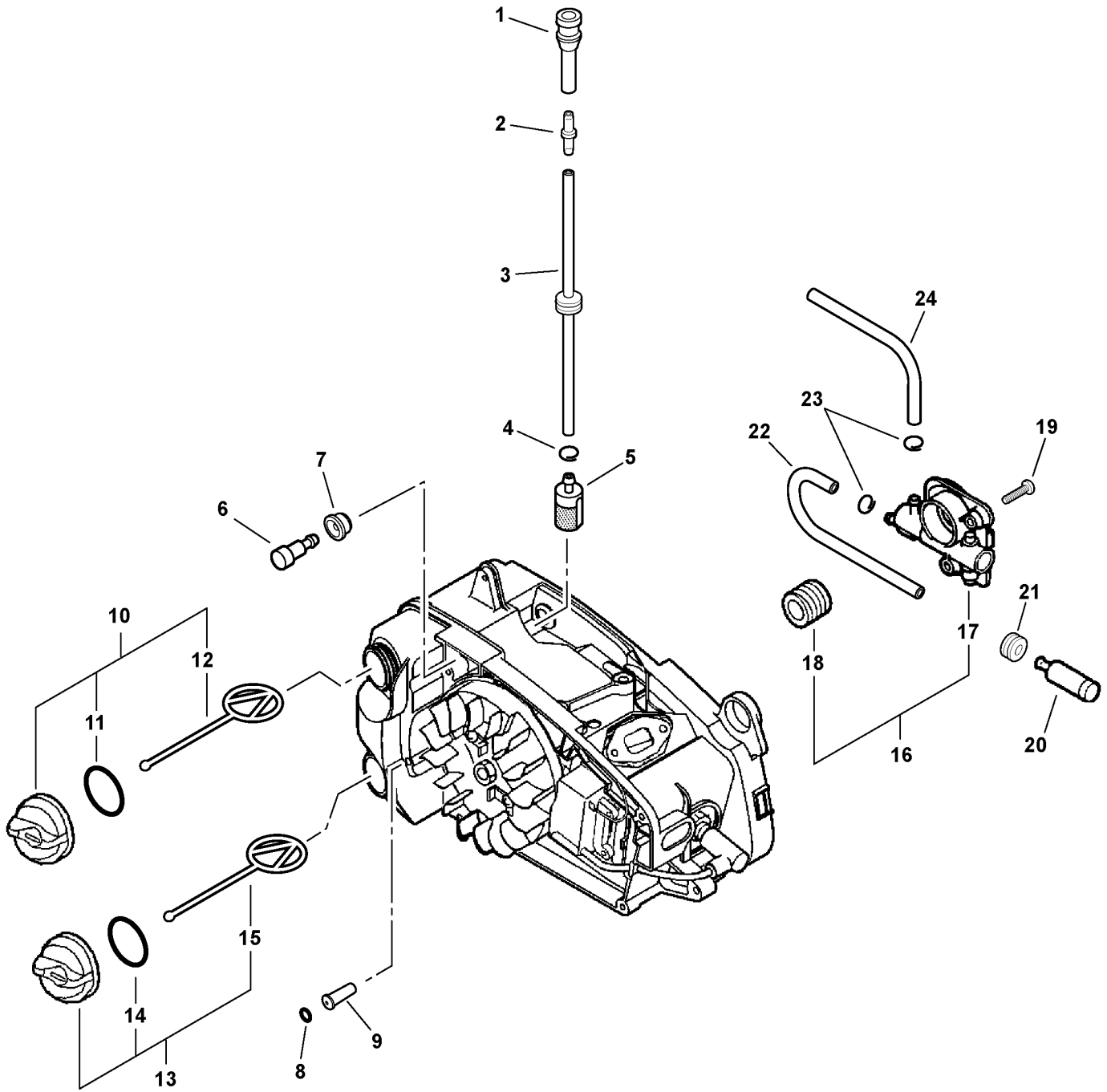
015 0003 000

ITEM	PART NUMBER	QTY	DESCRIPTION	REMARKS
1	A051000921	1	STARTER ASY - GRAY	INCLUDES ITEMS 2-6
2	P022005890	1	GRIP, STARTER	
3	P022010440	1	REWIND SPRING KIT	
4	P022010451	1	DRUM, STARTER	
5	P022005900	1	ROPE, STARTER - 3X920mm	REPOWER BULK OPTION: 99944440000
6	17723644330	1	SCREW	
7	A172000510	1	COVER, FAN	
8	V202000040	4	SCREW	
9	90010505014	2	SCREW 5X14	
10	90060300005	4	WASHER	
11	17724704630	2	SPACER	
12	A514000020	2	PAWL	
13	17723435430	2	SPRING, RETURN	



015 0003 ORA

ITEM	PART NUMBER	QTY	DESCRIPTION	REMARKS
1	A051001330	1	STARTER ASY - ORANGE	INCLUDES ITEMS 2-6
2	P022005890	1	GRIP, STARTER	
3	P022010440	1	REWIND SPRING KIT	
4	P022010451	1	DRUM, STARTER	
5	P022005900	1	ROPE, STARTER - 3X920mm	REPOWER BULK OPTION: 99944440000
6	17723644330	1	SCREW	
7	A172000510	1	COVER, FAN	
8	V202000040	4	SCREW	
9	90010505014	2	SCREW 5X14	
10	90060300005	4	WASHER	
11	17724704630	2	SPACER	
12	A514000020	2	PAWL	
13	17723435430	2	SPRING, RETURN	



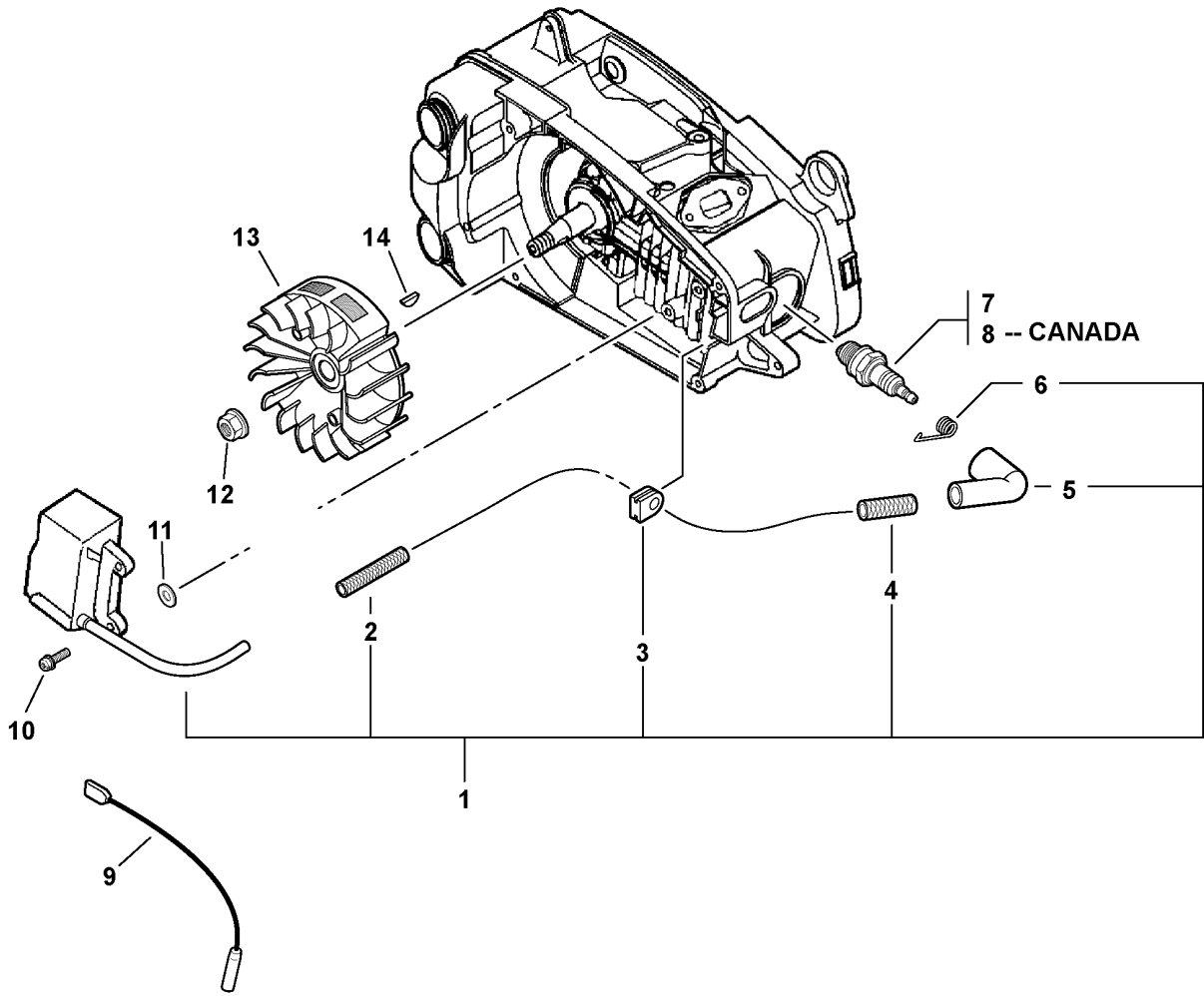
017 0003 000



ITEM	PART NUMBER	QTY	DESCRIPTION	REMARKS
1	V470000690	1	PIPE, FUEL	
2	V186000020	1	CONNECTOR	
3	V470000710	1	FUEL PIPE ASY	
4	13201309820	1	CLIP	
5	13120507320	1	FILTER, FUEL <sup>1</sup>	
6	A356000030	1	VENT ASY	
7	V137000000	1	GROMMET	
8	90072400004	1	O-RING	
9	43611413930	1	VALVE, CHECK	
10	P021005591	1	CAP ASY - ORANGE	INCLUDES ITEMS 11-12
11	90072000018	1	O-RING	
12	A365000050	1	CONNECTOR, CAP	
13	P021005581	1	CAP ASY - BLACK	INCLUDES ITEMS 14-15
14	90072000018	1	O-RING	
15	A365000050	1	CONNECTOR, CAP	
16	P021001980	1	AUTO-OILER ASY	INCLUDES ITEMS 17-18
17	C022000000	1	AUTO-OILER	
18	V652000010	1	GEAR, WORM	
19	90023804012	2	SCREW 4X12	
20	43620502832	1	FILTER, OIL	
21	13211501461	1	GROMMET, FUEL	
22	13011005260	1	PIPE, IMPULSE - 3X5X185mm	REPOWER BULK OPTION: 90014
23	13201326630	2	CLIP	
24	V471000760	1	PIPE, OIL - 3X6X90mm	

**Footnotes**

1: Also Included In REPOWER TUNE-UP KIT

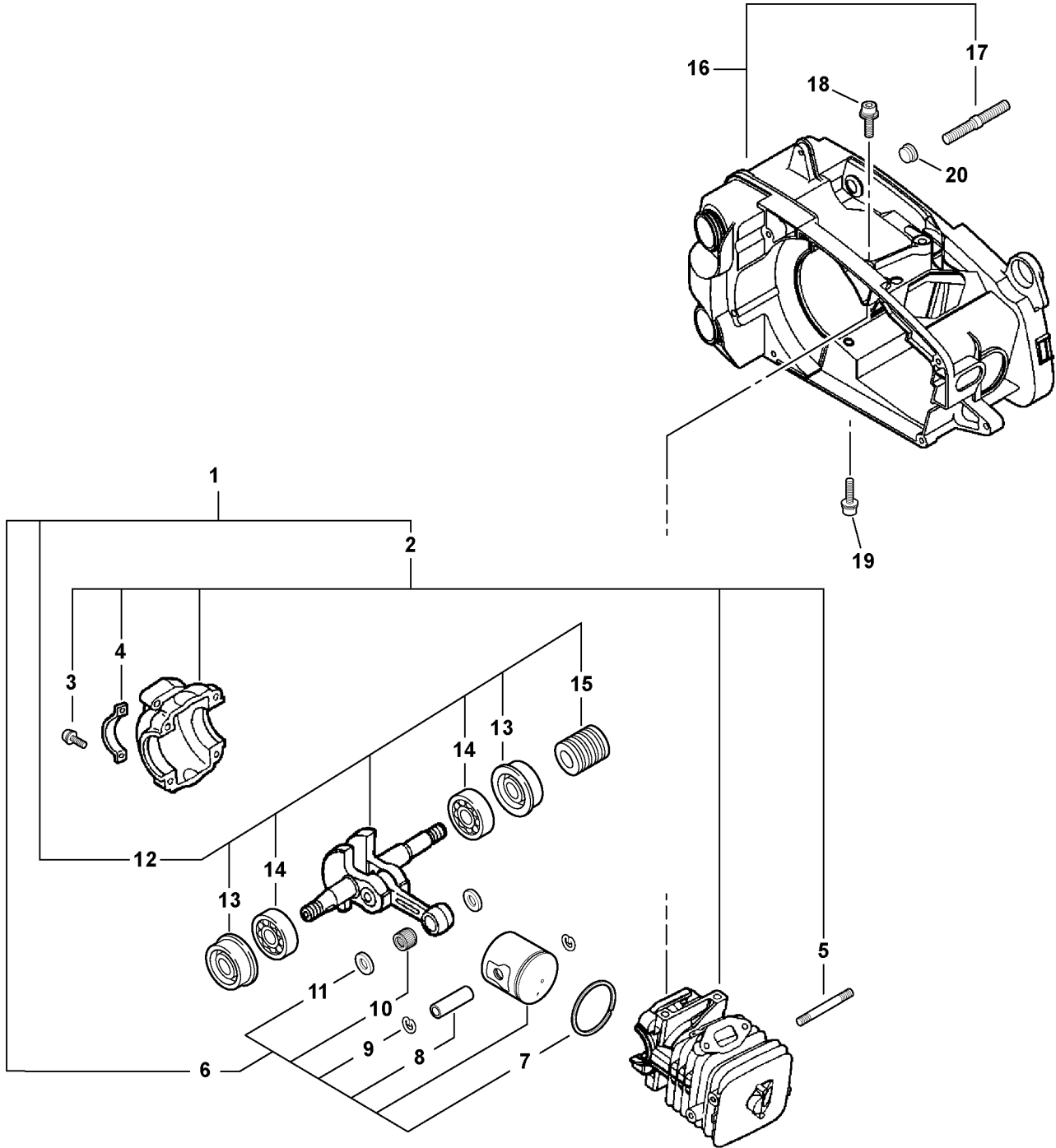


018 0004 000

ITEM	PART NUMBER	QTY	DESCRIPTION	REMARKS
1	A411000242	1	COIL KIT	INCLUDES ITEMS 2-6
2	P003001450	1	TUBE, INSULATOR	
3	15611004920	1	BUSHING	
4	P003001440	1	TUBE, INSULATOR	
5	A427000020	1	CAP, SPARK PLUG	
6	A426000020	1	TERMINAL, SPARK PLUG CAP	
7	15901019830	1	SPARK PLUG -- BPM-8Y <sup>1</sup>	
8	A425000000	1	SPARK PLUG -- BPMR-8Y <sup>1</sup>	
9	V485000590	1	LEAD, IGNITION	
10	90023805022	2	SCREW 5X22	
11	15011716430	2	SPACER	
12	90051500008	1	FLANGE NUT	
13	A409000241	1	FLYWHEEL	
14	10014212330	1	WOODRUFF KEY	

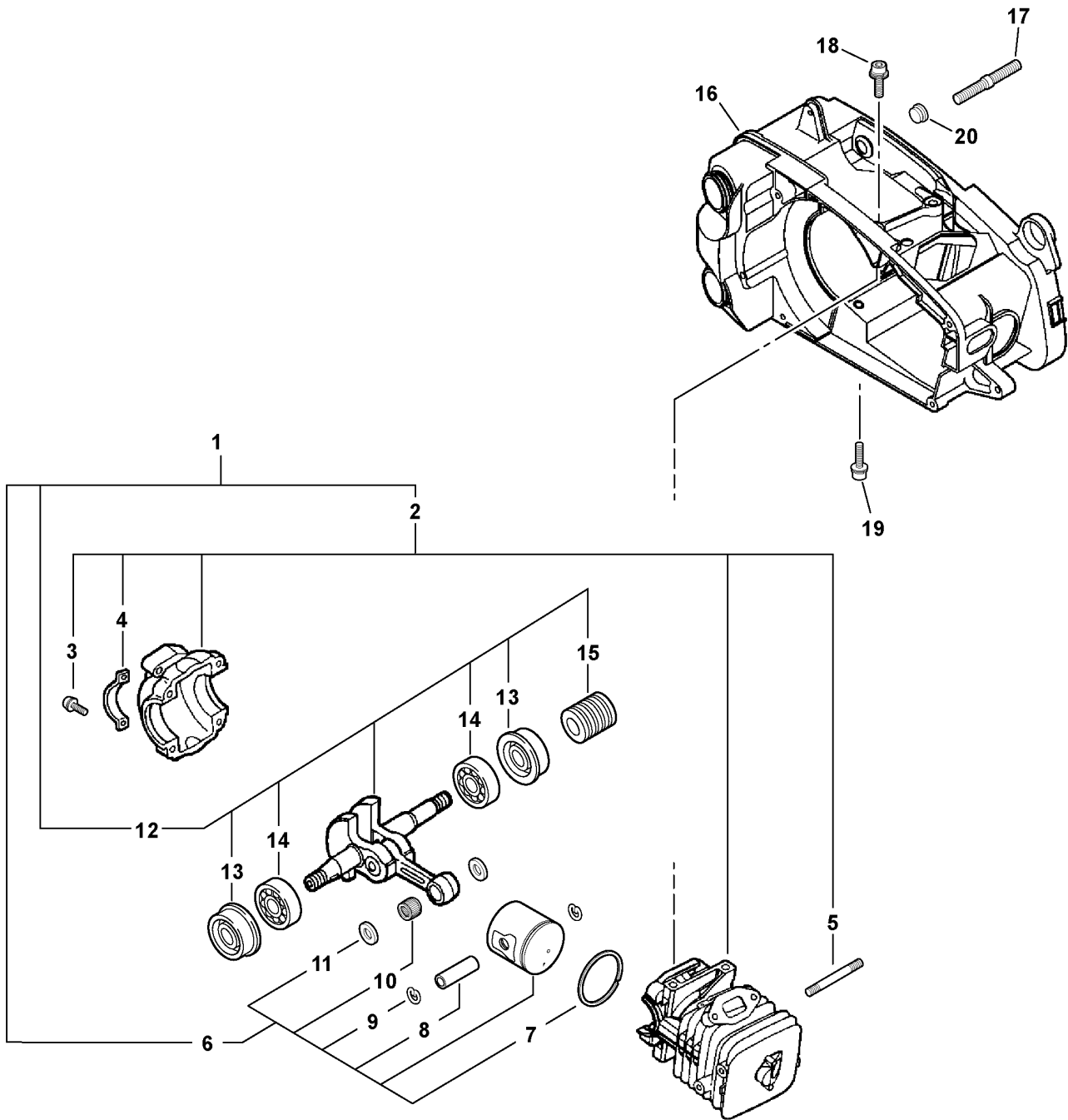
**Footnotes**

1: Also Included In REPOWER TUNE-UP KIT



SB1086 0000 000

ITEM	PART NUMBER	QTY	DESCRIPTION	REMARKS
1	SB1086	1	SHORT BLOCK	INCLUDES ITEMS 2-15
2	P021009032	1	CRANKCASE KIT	INCLUDES ITEMS 3-5
3	9112805025	4	SCREW 5X25	
4	V150001670	2	BRACKET, CRANKCASE	
5	V223000000	2	BOLT, STUD	
6	P021009040	1	PISTON KIT	INCLUDES ITEMS 7-11
7	A101000110	1	RING, PISTON	
8	10001315330	1	PIN, PISTON	
9	10001504630	2	CIRCLIP, PISTON PIN	
10	V553000040	1	BEARING, NEEDLE	
11	10001460930	2	SPACER, PISTON PIN	
12	P021008992	1	CRANKSHAFT ASY	INCLUDES ITEMS 13-15
13	V505000010	2	OIL SEAL	
14	9403536201	2	BEARING, BALL - 6201	
15	V652000010	1	GEAR, WORM	
16	P021008962	1	COVER, ENGINE - GRAY	INCLUDES ITEM 17
17	V224000030	2	STUD, GUIDE BAR	
18	90010605020	2	SCREW 5X20	
19	90010605030	2	SCREW 5X30	
20	16391130130	1	PLUG	



SB1086 0000 ORG

ITEM	PART NUMBER	QTY	DESCRIPTION	REMARKS
1	SB1086	1	SHORT BLOCK	INCLUDES ITEMS 2-15
2	P021009032	1	CRANKCASE KIT	INCLUDES ITEMS 3-5
3	9112805025	4	SCREW 5X25	
4	V150001670	2	BRACKET, CRANKCASE	
5	V223000000	2	BOLT, STUD	
6	P021009040	1	PISTON KIT	INCLUDES ITEMS 7-11
7	A101000110	1	RING, PISTON	
8	10001315330	1	PIN, PISTON	
9	10001504630	2	CIRCLIP, PISTON PIN	
10	V553000040	1	BEARING, NEEDLE	
11	10001460930	2	SPACER, PISTON PIN	
12	P021008992	1	CRANKSHAFT ASY	INCLUDES ITEMS 13-15
13	V505000010	2	OIL SEAL	
14	9403536201	2	BEARING, BALL - 6201	
15	V652000010	1	GEAR, WORM	
16	A190000790	1	COVER, ENGINE - ORANGE	
17	V224000030	2	STUD, GUIDE BAR	
18	90010605020	2	SCREW 5X20	
19	90010605030	2	SCREW 5X30	
20	16391130130	1	PLUG	

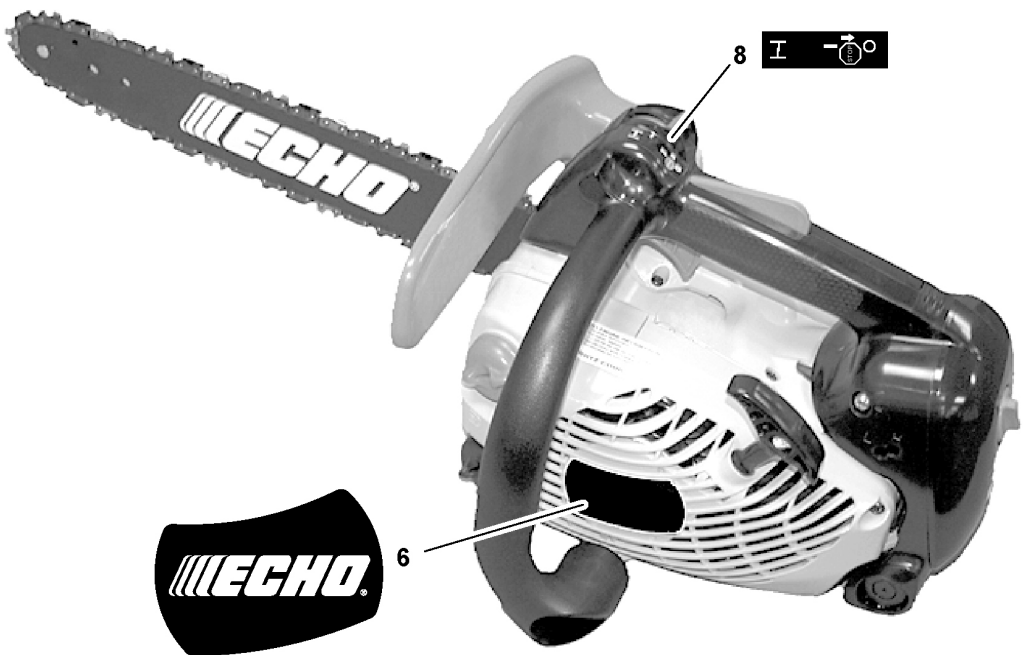
**ADVERTENCIA PELIGRO**  
 Esta unidad puede ser peligrosa y producir lesiones personales graves si no se usa en forma adecuada. Para reducir el riesgo de lesiones, los operadores, los ayudantes y los espectadores deben leer y comprender el Manual Del Operador y los Manuales e seguridad que se entregan escritos en español.

GUIDE BAR PART NO.	CHAIN TYPE	REPLACEMENT BAR AND CHAIN LINKS	NOTE
12" 12AOE03745	OREGON 91VG	45	There may be other replacement components for achieving kickback protection. For details, please refer to the bar and chain combination sheet shown in the instruction manual.
14" 14AOE03750	OREGON 91VG	52	
16" 16AOE03757	OREGON 91VG	57	

**CS-360T**  
**WARNING!** Read and follow all safety precautions in the instruction manual. Failure to follow instructions could result in serious personal injury.

**TO AVOID KICKBACK**  
 1. Hold the chain saw firmly with both hands.  
 2. Don't let the nose of the guide bar contact any obstruction.  
 3. Tip contact may suddenly move the guide bar upward and backward, which may cause serious injury.

**WARNING**  
 Lesen bitte immer das Handb. vor dem Einsatz. Lesen Sie alle Sicherheitshinweise im Handb. und befolgen Sie sie genau. Ein Versäumnis, diese Anweisungen zu befolgen, kann zu schweren Verletzungen führen. Lesen Sie auch die Warnhinweise auf dem Handb. und befolgen Sie sie genau. Ein Versäumnis, diese Anweisungen zu befolgen, kann zu schweren Verletzungen führen.



100 0037 0US



**CS-360T Chain Saw**

**Labels**

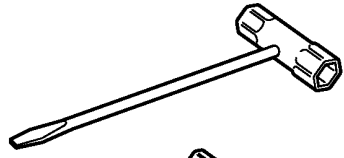
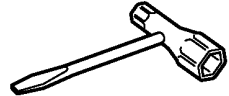
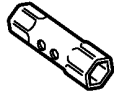

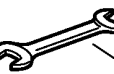









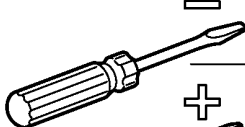
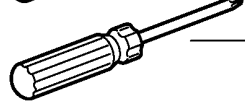

ITEM	PART NUMBER	QTY	DESCRIPTION	REMARKS
1	89022839131	1	LABEL, CAUTION	
2	X524001710	1	LABEL, BAR & CHAIN	
3	X502000340	1	LABEL - ECHO	
4	X505002060	1	LABEL, WARNING	
5	X505002310	1	LABEL - CAUTION -- HOT	
6	89019130131	1	LABEL - KICK BACK	
7	X503006590	1	LABEL - MODEL -- CS-360T	
8	X524001450	1	LABEL - STOP	
9	X502000620	1	LABEL - ECHO	

<b>RePower Tune-Up Kit</b>	<b>Contains: Service Number</b>	<b>Description</b>
900100	A226000291	AIR FILTER
	13120514930	FUEL FILTER
	15901019830	SPARK PLUG BPM-8Y

---

<u>ITEM</u>	<u>PART NUMBER</u>	<u>QTY</u>	<u>DESCRIPTION</u>	<u>REMARKS</u>
1	900100	1	REPOWER TUNE-UP KIT	

---

	1 - 89541010630 -- 17X19mm
	2 - X602000020 -- 17X19mm
	3 - 89541039131 -- 10X19mm
	4 - 89541006960 -- 13X19mm
	5 - X602000031 -- 17X14.5mm
	6 - 89751801131 -- 5X120mm
	7 - 89511200330 -- 8X10mm
	8 - 89512220960 -- 17X19mm
	9 - 89501505260 -- 10mm
	10 - 89541220960 -- 10mm
	11 - 89561203430 -- 3mm
	12 - 89561000130 -- 4mm
	13 - 89561100330 -- 5mm
	14 - X605000060 -- T27
	15 - 89581100130 -- 125mm
	16 - 89581203930 -- 50mm
	17 - 89757005560

**Consult Your Owners Manual - Consulte a sus dueños manuales**

200 0001 000

ITEM	PART NUMBER	QTY	DESCRIPTION	REMARKS
1	89541010630	1	SOCKET WRENCH/SCREWDRIVER	17X19mm
2	X602000020	1	SOCKET WRENCH/SCREWDRIVER	17X19mm
3	89541039131	1	SOCKET WRENCH/SCREWDRIVER	10X19mm
4	89541006960	1	SOCKET WRENCH/SCREWDRIVER	13X19mm
5	X602000031	1	SOCKET WRENCH	17X14.5mm
6	89751801131	1	LOCKING ROD	5X120mm
7	89511200330	1	OPEN END WRENCH	8X10mm
8	89512220960	1	OPEN END WRENCH	17X19mm
9	89501505260	1	OPEN END WRENCH	10mm
10	89541220960	1	HEX BAR	10mm
11	89561203430	1	HEX KEY	3mm
12	89561000130	1	HEX KEY	4mm
13	89561100330	1	HEX KEY	5mm
14	X605000060	1	TORX KEY	T27
15	89581100130	1	SCREWDRIVER	125mm SLOT HEAD
16	89581203930	1	SCREWDRIVER	50mm CROSS HEAD
17	89757005560	1	CHUCK KEY	



# Part Number Index

Click The Page Number After Any Part Number To View The Diagram Containing That Part.

Part Number	Page	Part Number	Page	Part Number	Page
-----	5, 7	90025304012	11, 13, 19	P003000140	7
10001315330	29, 31	90025304016	17	P003000160	7
10001460930	29, 31	90025305020	11, 13, 19	P003000240	7
10001504630	29, 31	90025604016	19	P003000250	7
10014212330	27	90033030260	11, 13	P003000380	7
10091060030	19	90050000005	17	P003001140	7
10091532530	19	90051500008	27	P003001300	7
10091815130	19	90056250005	11, 13	P003001380	7
10092139130	19	90060300005	21, 23	P003001390	7
12311003930	7	90072000018	25	P003001400	7
12311337530	7	90072400004	25	P003001410	7
12311403930	7	9112805025	29, 31	P003001440	27
12311405260	7	9131805032	11, 13	P003001450	27
12311610860	7	9136704012	17	P021001980	25
12312052131	7	9148104035	19	P021005581	25
12312203660	7	91VG57CQ	9	P021005591	25
12312715030	7	9228005000	17	P021005810	15
12313002960	7	9305030098	11, 13	P021008962	29
12313304260	7	9403536201	29, 31	P021008992	29, 31
12313903930	7	A021001120	7	P021009003	19
12314926030	7	A051000921	21	P021009032	29, 31
13002033330	19	A051001330	23	P021009040	29, 31
13011005260	25	A056000070	15	P021016470	13
13120507320	25	A101000110	29, 31	P022005890	21, 23
13201309820	25	A127000130	19	P022005900	21, 23
13201326630	25	A127000220	19	P022010440	21, 23
13211501461	25	A172000510	21, 23	P022010451	21, 23
14564213930	17	A190000790	31	SB1086	29, 31
15011716430	27	A202000051	19	V104000680	17
15611004920	27	A204000072	5	V137000000	25
15901019830	27	A226000291	5	V150001670	29, 31
16201055930	19	A232000290	5	V186000020	25
16391130130	29, 31	A235000040	5	V202000020	19
16A0ED3757	9	A239000000	19	V202000040	21, 23
17500539132	15	A240000010	19	V203000041	11, 13
17501200831	15	A253000043	19	V223000000	29, 31
17501439131	15	A300000551	17	V224000030	29, 31
17723435430	21, 23	A301000020	17	V352000020	19
17723644330	21, 23	A310000030	17	V353000060	11, 13
17724704630	21, 23	A313000710	17	V355000140	11, 13
2894901	9	A313000721	17	V359000060	19
43301903933	11, 13	A320000322	17	V376000450	11, 13
43302635430	11, 13	A320000490	17	V376000740	17
43311635430	11, 13	A356000030	25	V400000021	19
43316739130	11, 13	A365000050	25	V450000070	11, 13
43611413930	25	A409000241	27	V451000470	15
43620502832	25	A411000242	27	V452000010	19
89019130131	33	A425000000	27	V452000110	11, 13
89022839131	33	A426000020	27	V470000481	19
89501505260	37	A427000020	27	V470000690	25
89511200330	37	A514000020	21, 23	V470000710	25
89512220960	37	A551000010	15	V471000760	25
89541006960	37	A552000020	15	V485000340	19
89541010630	37	C022000000	25	V485000590	27
89541039131	37	C032000261	11	V486000010	19
89541220960	37	C300000291	11	V505000010	29, 31
89561000130	37	C300000420	13	V553000040	29, 31
89561100330	37	C304000000	11, 13	V651000001	11, 13
89561203430	37	C305000080	11, 13	V651000011	11, 13
89581100130	37	C309000030	11, 13	V652000010	25, 29, 31
89581203930	37	C320000090	11	X502000340	33
89751801131	37	C320000190	13	X502000620	33
89757005560	37	C328000030	11, 13	X503006590	33
900100	35	C334000070	11, 13	X505002060	33
90010505014	21, 23	C345000191	11	X505002310	33
90010605020	29, 31	C345000310	13	X524001450	33
90010605030	29, 31	C400000371	19	X524001710	33
90016204025	19	C450000010	19	X602000020	37
90023804012	25	C454000070	19	X602000031	37
90023805012	19	C460000002	19	X605000060	37
90023805022	27	C626000040	19		
90023805050	5	C646000050	19		
90025304010	11, 13	P003000010	7		



# Part Description Index

Click The Page Number After Any Part Description To View The Diagram Containing That Part.

## A

AUTO-OILER.....25  
 AUTO-OILER ASY.....25

## B

BAND, BRAKE.....11, 13  
 BEARING, BALL - 6201.....29, 31  
 BEARING, NEEDLE.....15, 29, 31  
 BELLOWS, INTAKE.....19  
 BODY, CARBURETOR.....7  
 BOLT.....19  
 BOLT 5.....11, 13  
 BOLT, STUD.....29, 31  
 BRACKET, CRANKCASE.....29, 31  
 BRACKET, HARNESS.....19  
 BUMPER, SPIKED.....11, 13  
 BUSHING.....27

## C

CAP.....19  
 CAP ASY - BLACK.....25  
 CAP ASY - ORANGE.....25  
 CAP, MIXTURE LIMITER.....7  
 CAP, SPARK PLUG.....27  
 CARBURETOR.....5  
 CARBURETOR -- WT-728.....7  
 CATCHER, CHAIN.....11, 13  
 CHAIN BRAKE ASY.....11, 13  
 CHUCK KEY.....37  
 CIRCLIP.....7  
 CIRCLIP, PISTON PIN.....29, 31  
 CLIP.....25  
 CLUTCH ASY.....15  
 CLUTCH SHOE SET.....15  
 COIL KIT.....27  
 COLLAR.....11, 13, 19  
 CONNECTOR.....25  
 CONNECTOR, CAP.....25  
 CONNECTOR, BRAKE.....11, 13  
 COVER, BRAKE - GRAY.....11  
 COVER, BRAKE - ORANGE.....13  
 COVER, DUST - GRAY.....19  
 COVER, DUST - ORANGE.....19  
 COVER, ENGINE - GRAY.....29  
 COVER, ENGINE - ORANGE.....31  
 COVER, FAN.....21, 23  
 COVER, FUEL PUMP.....7  
 COVER, METERING DIAPHRAGM.....7  
 COVER, MUFFLER - GRAY.....17  
 COVER, MUFFLER - ORANGE.....17  
 CRANKCASE KIT.....29, 31  
 CRANKSHAFT ASY.....29, 31  
 CUSHION.....19

## D

DIAPHRAGM, FUEL PUMP.....7  
 DIAPHRAGM, METERING.....7  
 DRUM, CLUTCH.....15  
 DRUM, STARTER.....21, 23

## E

EYE PLATE.....17

## F

FILTER, AIR.....5  
 FILTER, FUEL.....25  
 FILTER, OIL.....25  
 FLANGE NUT.....11, 13, 27  
 FLANGE NUT 5.....11, 13  
 FLYWHEEL.....27  
 FUEL PIPE ASY.....25

## G

GASKET, EXHAUST.....17  
 GASKET, FUEL PUMP.....7  
 GASKET, METERING DIAPHRAGM.....7  
 GASKET/DIAPHRAGM KIT.....7  
 GEAR, BEVEL.....11, 13  
 GEAR, WORM.....25, 29, 31  
 GRIP, STARTER.....21, 23  
 GROMMET.....25  
 GROMMET, FUEL.....25  
 GUARD, SPROCKET - GRAY.....11  
 GUARD, SPROCKET - ORANGE.....13  
 GUIDE BAR - 16" -- Pro 91.....9  
 GUIDE, EXHAUST.....17

## H

HANDLE, FRONT.....19  
 HEX BAR.....37  
 HEX KEY.....37  
 HUB, CLUTCH.....15

## K

KICK GUARD KIT.....9  
 KNOB, AIR CLEANER LID.....5

## L

LABEL - KICK BACK.....33  
 LABEL - CAUTION -- HOT.....33  
 LABEL - ECHO.....33  
 LABEL - MODEL -- CS-360T.....33  
 LABEL - STOP.....33  
 LABEL, BAR & CHAIN.....33  
 LABEL, CAUTION.....33  
 LABEL, WARNING.....33  
 LEAD, GROUND.....19  
 LEAD, IGNITION.....19, 27  
 LEVER, BRAKE - BLACK.....13  
 LEVER, BRAKE - ORANGE.....11  
 LEVER, CHOKE.....19  
 LEVER, FAST IDLE.....7  
 LEVER, METERING.....7  
 LEVER, THROTTLE.....7  
 LID, AIR CLEANER.....5  
 LOCKING ROD.....37  
 LOCKOUT, THROTTLE.....19

## M

MOUNT, AIR FILTER.....5  
 MUFFLER.....17

## N

NEEDLE, ADJUSTMENT.....7  
 NUT.....17, 19

## O

OIL SEAL.....29, 31  
 OPEN END WRENCH.....37  
 O-RING.....25

## P

PAWL.....21, 23  
 PIN, METERING LEVER.....7  
 PIN, PISTON.....29, 31  
 PIPE.....19  
 PIPE, FUEL.....25  
 PIPE, IMPULSE - 3X5X185mm.....25  
 PIPE, OIL - 3X6X90mm.....25  
 PISTON KIT.....29, 31  
 PLATE, CLUTCH.....15  
 PLATE, SPROCKET GUARD.....11, 13  
 PLUG.....29, 31  
 PLUG, WELCH.....7

## R

REAR HANDLE SET.....19  
 REPAIR KIT.....7  
 REPOWER TUNE-UP KIT.....35  
 REWIND SPRING KIT.....21, 23  
 RING, HARNESS.....19  
 RING, PISTON.....29, 31  
 ROD, CHOKE.....19  
 ROD, THROTTLE.....19  
 ROLLER.....11, 13  
 ROPE, STARTER - 3X920mm.....21, 23

## S

SAWING CHAIN - 16" -- XtraGUARD.....9  
 SCREEN.....17  
 SCREEN, INLET.....7  
 SCREW.....19, 21, 23  
 SCREW 4X10.....11, 13  
 SCREW 4X12.....17, 25  
 SCREW 4X12 - TAPPING.....11, 13, 19  
 SCREW 4X16.....19  
 SCREW 4X16 - TAPPING.....17  
 SCREW 4X25.....19  
 SCREW 4X35 - TAPPING.....19  
 SCREW 5X12.....19  
 SCREW 5X14.....21, 23  
 SCREW 5X20.....29, 31  
 SCREW 5X20 - TAPPING.....11, 13, 19  
 SCREW 5X22.....27  
 SCREW 5X25.....29, 31  
 SCREW 5X30.....29, 31  
 SCREW 5X32.....11, 13  
 SCREW 5X50.....5  
 SCREW, CHOKE VALVE.....7  
 SCREW, DIAPHRAGM COVER.....7  
 SCREW, IDLE ADJUST.....7  
 SCREW, METERING LEVER PIN.....7  
 SCREW, PUMP COVER.....7  
 SCREW, THROTTLE LEVER.....7  
 SCREW, THROTTLE VALVE.....7  
 SCREWDRIVER.....37  
 SHAFT, CHOKE.....7  
 SHAFT, THROTTLE.....7  
 SHORT BLOCK.....29, 31



## Part Description Index (continued)

---

SOCKET WRENCH.....37  
SOCKET WRENCH/SCREWDRIVER.....37  
SPACER.....11, 13, 17, 21, 23, 27  
SPACER 8X12X9.....11, 13  
SPACER, PISTON PIN.....29, 31  
SPARK PLUG -- BPM-8Y.....27  
SPARK PLUG -- BPMR-8Y.....27  
SPRING.....11, 13  
SPRING, CHOKE RETURN.....7  
SPRING, CLUTCH.....15  
SPRING, IDLE ADJUST.....7  
SPRING, METERING LEVER.....7  
SPRING, RETURN.....21, 23  
SPRING, THROTTLE RETURN.....7  
SPRING, THROTTLE TRIGGER.....19  
STARTER ASY - GRAY.....21  
STARTER ASY - ORANGE.....23  
STUD, GUIDE BAR.....29, 31

### T

TENSIONER, CHAIN.....11, 13  
TERMINAL, LEAD.....19  
TERMINAL, SPARK PLUG CAP.....27  
TORX KEY.....37  
TRIGGER, THROTTLE.....19  
TUBE, INSULATOR.....27

### V

VALVE, CHECK.....25  
VALVE, CHOKE.....7  
VALVE, INLET NEEDLE.....7  
VALVE, THROTTLE.....7  
VENT ASY.....25

### W

WASHER.....7, 15, 17, 21, 23  
WOODRUFF KEY.....27



## ***NOTES***



**ECHO, INCORPORATED**

400 Oakwood Road  
Lake Zurich, IL 60047 USA

[WWW.ECHO-USA.COM](http://WWW.ECHO-USA.COM)

---