



OPTIONAL ATTACHMENTS & ACCESSORIES

Accessories

| | |
|-------------|------------------------------|
| 103942147 | CS Carry Bag |
| 103942148 | CS Camouflage Carry Bag |
| 89850308034 | Bar & Chain Cover |
| 99988800307 | Debris Shield |
| 99988800309 | CS Lanyard Strap w_Snap |
| 99988801207 | ToughChest-24 Chain Saw Case |

Guide Bars

| | |
|------------|----------------------------|
| 12A0CD3745 | Guide Bar - 12" (.050" Ga) |
| 12A0ED3745 | Guide Bar - 12" (.050" Ga) |
| 14A0CD3752 | Guide Bar - 14" (.050" Ga) |
| 14A0ED3752 | Guide Bar - 14" (.050" Ga) |
| 16A0CD3757 | Guide Bar - 16" (.050" Ga) |
| 16A0ED3757 | Guide Bar - 16" (.050" Ga) |

Sawing Chains

| | |
|----------|-------------------------------|
| 91VG45CQ | Sawing Chain - 12" (.050" Ga) |
| 91VG52CQ | Sawing Chain - 14" (.050" Ga) |
| 91VG57CQ | Sawing Chain - 16" (.050" Ga) |

PARTS CATALOG

CS-360T Chain Saw

36.3cc

SERIAL NUMBERS

S/N: C08711001001 - C08711999999

ECHO, INCORPORATED

400 Oakwood Road Lake Zurich, Illinois 60047 USA

WWW.ECHO-USA.COM



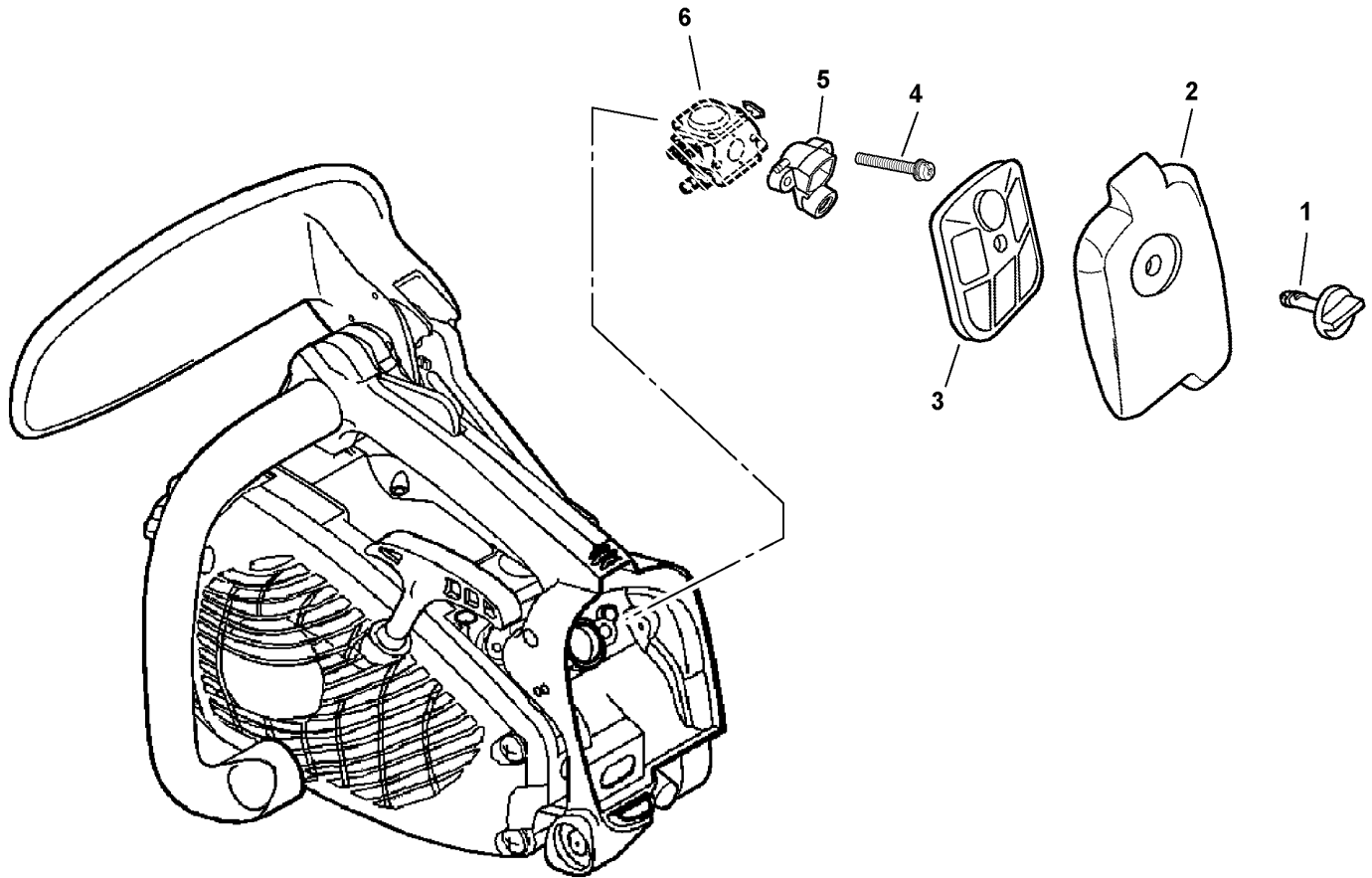
Table of Contents

Click Any Diagram Description Below To View That Diagram.

CS-360T S/N: C08711001001 - C08711999999

| | |
|--|----|
| Intake..... | 4 |
| Carburetor -- WT-728..... | 6 |
| Standard Guide Bar, Sawing Chain, Kick Guard..... | 8 |
| Chain Brake -- GRAY MODELS..... | 10 |
| Chain Brake -- ORANGE MODELS..... | 12 |
| Clutch..... | 14 |
| Exhaust..... | 16 |
| Handles, Throttle Control..... | 18 |
| Starter -- GRAY MODELS..... | 20 |
| Starter -- ORANGE MODELS..... | 22 |
| Fuel System, Auto-Oiler..... | 24 |
| Ignition..... | 26 |
| Engine, Short Block -- SB1086 - GRAY MODELS..... | 28 |
| Engine, Short Block -- SB1086 - ORANGE MODELS..... | 30 |
| Labels..... | 32 |
| RePower Tune-Up Kit..... | 34 |
| Tools..... | 36 |
| | |
| Part Number Index..... | 38 |
| Part Description Index..... | 39 |

This Page Intentionally Left Blank

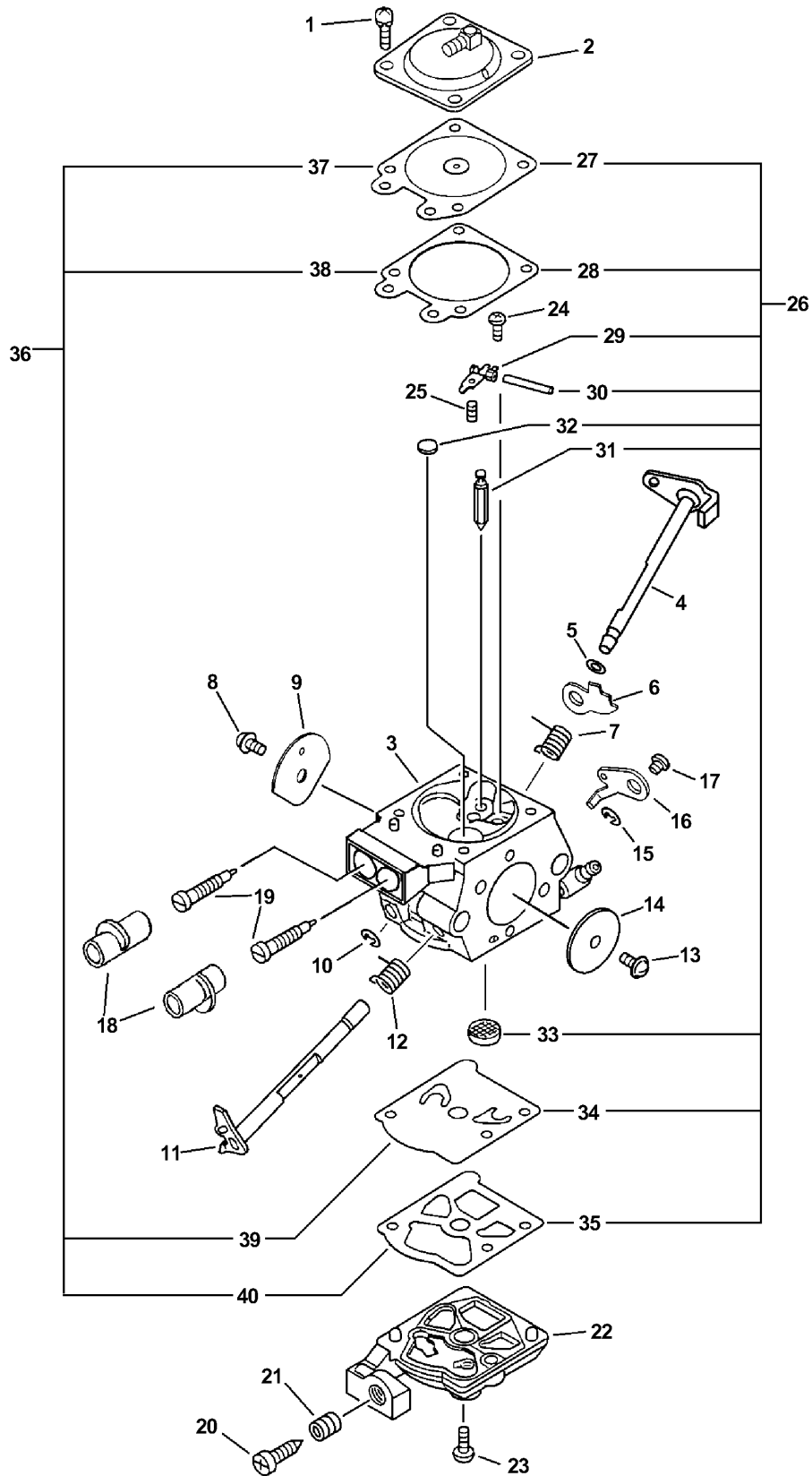


010 0006 000

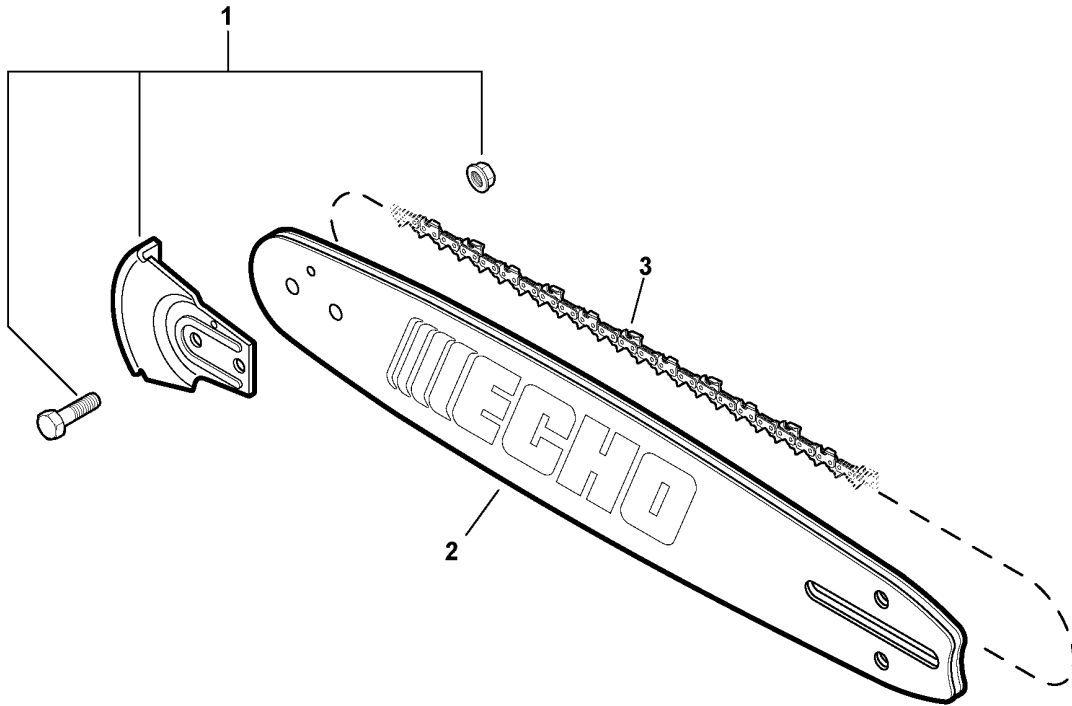
| ITEM | PART NUMBER | QTY | DESCRIPTION | REMARKS |
|------|-------------|-----|--------------------------|---------|
| 1 | A235000040 | 1 | KNOB, AIR CLEANER LID | |
| 2 | A232000290 | 1 | LID, AIR CLEANER | |
| 3 | A226000291 | 1 | FILTER, AIR ¹ | |
| 4 | 90023805050 | 2 | SCREW 5X50 | |
| 5 | A204000072 | 1 | MOUNT, AIR FILTER | |
| 6 | ----- | 1 | CARBURETOR ² | |

Footnotes

- 1:** Also Included In REPOWER TUNE-UP KIT
- 2:** See Carburetor Diagram For Additional Information



| ITEM | PART NUMBER | QTY | DESCRIPTION | REMARKS |
|------|-------------|-----|----------------------------|--------------------------|
| | A021001120 | 1 | CARBURETOR -- WT-728 | |
| 1 | 12313002960 | 4 | SCREW, DIAPHRAGM COVER | |
| 2 | P003001390 | 1 | COVER, METERING DIAPHRAGM | |
| 3 | ----- | 1 | BODY, CARBURETOR | NOT AVAILABLE SEPARATELY |
| 4 | P003001140 | 1 | SHAFT, CHOKE | |
| 5 | 12314926030 | 1 | WASHER | |
| 6 | P003000160 | 1 | LEVER, FAST IDLE | |
| 7 | P003000140 | 1 | SPRING, CHOKE RETURN | |
| 8 | 12311403930 | 1 | SCREW, CHOKE VALVE | |
| 9 | P003001410 | 1 | VALVE, CHOKE | |
| 10 | 12312715030 | 1 | CIRCLIP | |
| 11 | P003001300 | 1 | SHAFT, THROTTLE | |
| 12 | 12311337530 | 1 | SPRING, THROTTLE RETURN | |
| 13 | 12311405260 | 1 | SCREW, THROTTLE VALVE | |
| 14 | 12311610860 | 1 | VALVE, THROTTLE | |
| 15 | 12312715030 | 1 | CIRCLIP | |
| 16 | P003000380 | 1 | LEVER, THROTTLE | |
| 17 | 12311403930 | 1 | SCREW, THROTTLE LEVER | |
| 18 | P003000010 | 2 | CAP, MIXTURE LIMITER | |
| 19 | 12312052131 | 2 | NEEDLE, ADJUSTMENT | |
| 20 | P003001400 | 1 | SCREW, IDLE ADJUST | |
| 21 | 12313304260 | 1 | SPRING, IDLE ADJUST | |
| 22 | P003001380 | 1 | COVER, FUEL PUMP | |
| 23 | 12311003930 | 1 | SCREW, PUMP COVER | |
| 24 | 12313903930 | 1 | SCREW, METERING LEVER PIN | |
| 25 | 12312203660 | 1 | SPRING, METERING LEVER | |
| 26 | P003000250 | 1 | REPAIR KIT | INCLUDES ITEM 27-35 |
| 27 | ----- | 1 | DIAPHRAGM, METERING | |
| 28 | ----- | 1 | GASKET, METERING DIAPHRAGM | |
| 29 | ----- | 1 | LEVER, METERING | |
| 30 | ----- | 1 | PIN, METERING LEVER | |
| 31 | ----- | 1 | VALVE, INLET NEEDLE | |
| 32 | ----- | 1 | PLUG, WELCH | |
| 33 | ----- | 1 | SCREEN, INLET | |
| 34 | ----- | 1 | DIAPHRAGM, FUEL PUMP | |
| 35 | ----- | 1 | GASKET, FUEL PUMP | |
| 36 | P003000240 | 1 | GASKET/DIAPHRAGM KIT | INCLUDES ITEM 37-40 |
| 37 | ----- | 1 | DIAPHRAGM, METERING | |
| 38 | ----- | 1 | GASKET, METERING DIAPHRAGM | |
| 39 | ----- | 1 | DIAPHRAGM, FUEL PUMP | |
| 40 | ----- | 1 | GASKET, FUEL PUMP | |



016 0002 000

CS-360T Chain Saw

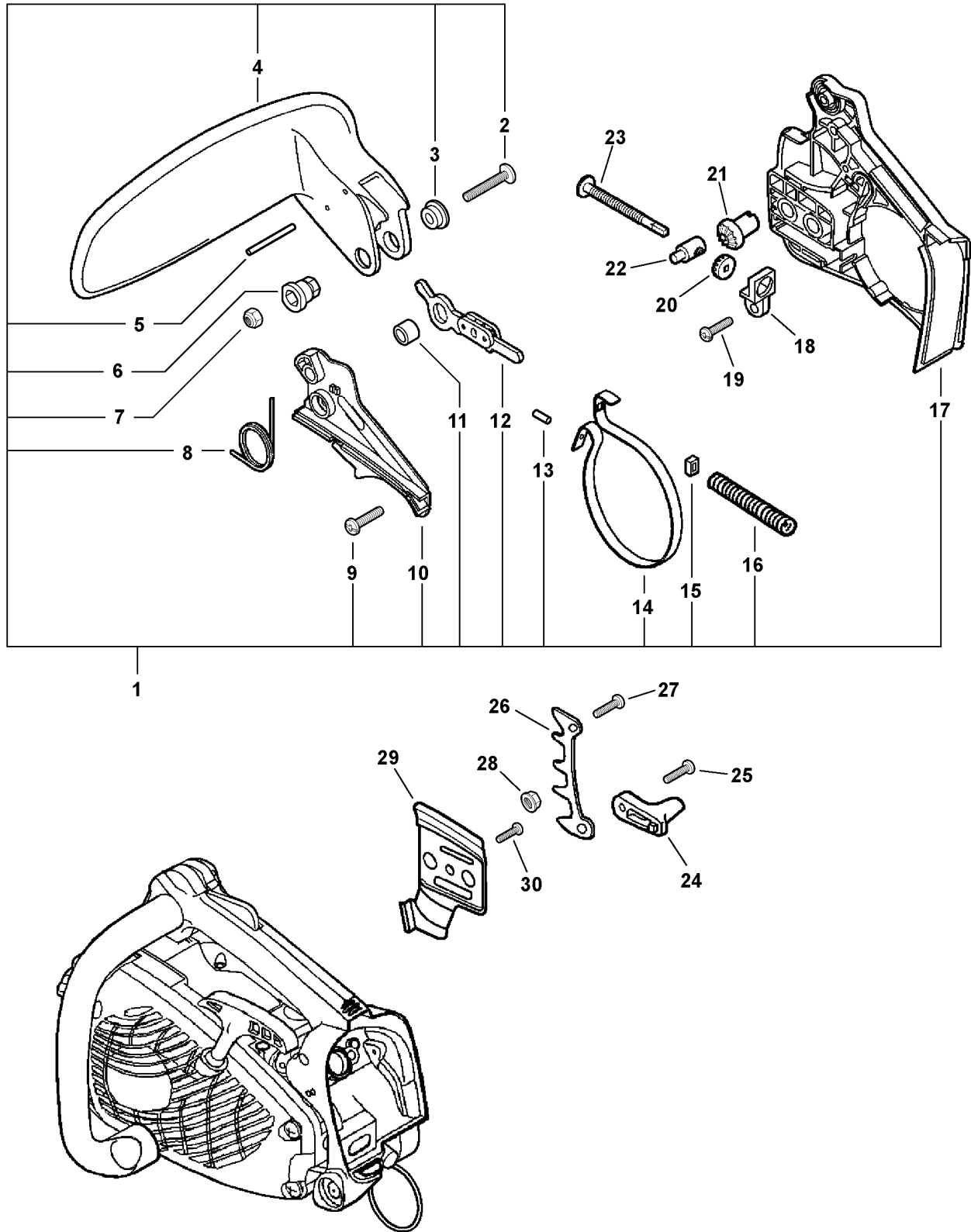
Standard Guide Bar, Sawing Chain, Kick Guard

| ITEM | PART NUMBER | QTY | DESCRIPTION | REMARKS |
|------|-------------|-----|--|-----------------------------|
| 1 | 2894901 | 1 | KICK GUARD KIT | |
| 2 | 16A0ED3757 | 1 | GUIDE BAR - 16" -- Pro 91 | GAUGE: .050" |
| 3 | 91VG57CQ | 1 | SAWING CHAIN - 16" -- XtraGUARD ¹ | GAUGE: .050" / PITCH: .375" |

Footnotes

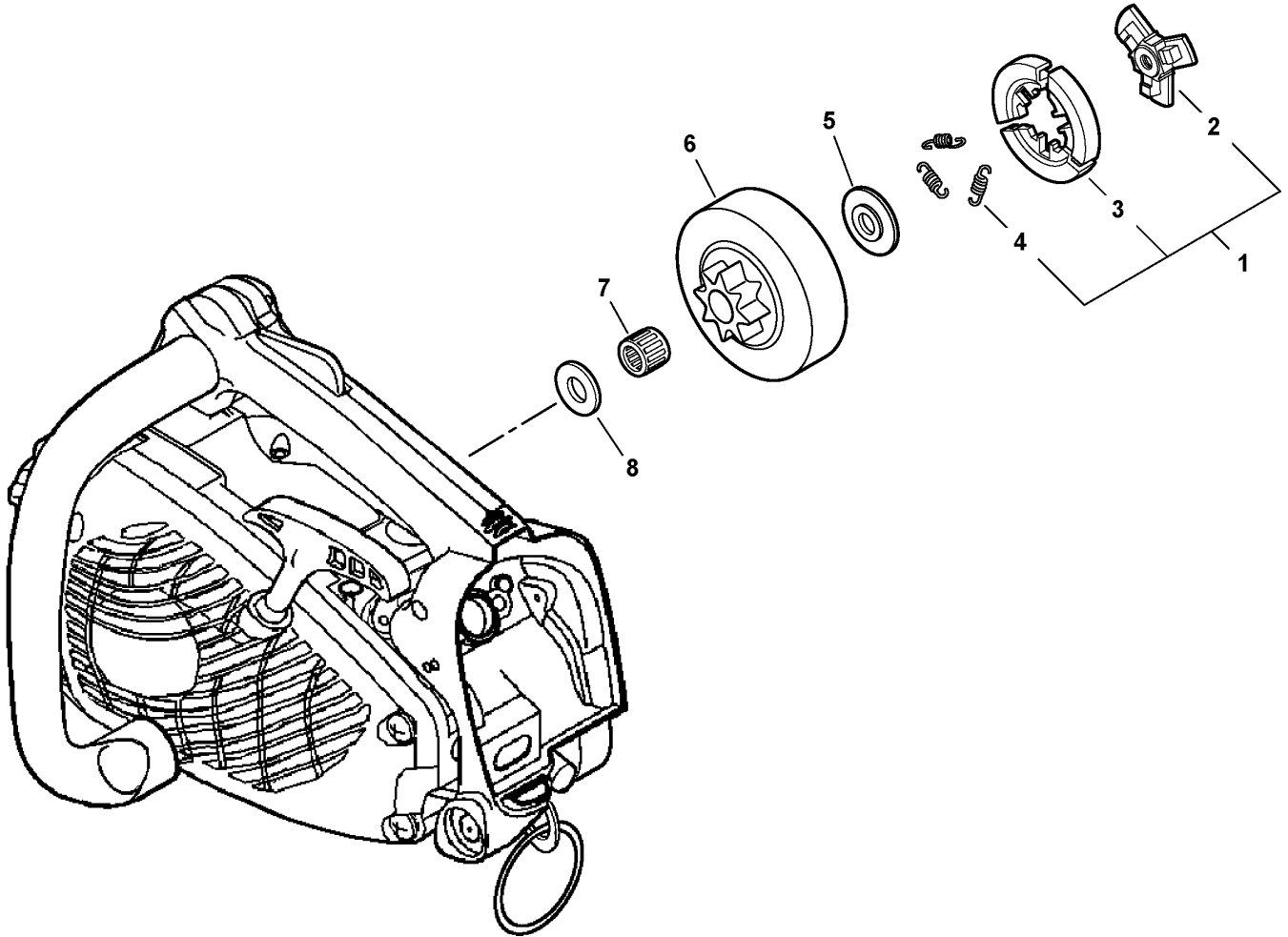
¹: Low Vibration

| ITEM | PART NUMBER | QTY | DESCRIPTION | REMARKS |
|------|-------------|-----|------------------------|---------------------|
| 1 | C032000261 | 1 | CHAIN BRAKE ASY | INCLUDES ITEMS 2-17 |
| 2 | 9131805032 | 1 | SCREW 5X32 | |
| 3 | 43316739130 | 1 | SPACER | |
| 4 | C320000090 | 1 | LEVER, BRAKE - ORANGE | |
| 5 | 90033030260 | 2 | ROLLER | |
| 6 | V353000060 | 1 | COLLAR | |
| 7 | 90056250005 | 1 | FLANGE NUT 5 | |
| 8 | V452000110 | 1 | SPRING | |
| 9 | 90025304012 | 3 | SCREW 4X12 - TAPPING | |
| 10 | C345000191 | 1 | COVER, BRAKE - GRAY | |
| 11 | 43311635430 | 1 | SPACER 8X12X9 | |
| 12 | C334000070 | 1 | CONNECTOR, BRAKE | |
| 13 | 9305030098 | 1 | ROLLER | |
| 14 | C328000030 | 1 | BAND, BRAKE | |
| 15 | V376000450 | 1 | SPACER | |
| 16 | V450000070 | 1 | SPRING | |
| 17 | C300000291 | 1 | GUARD, SPROCKET - GRAY | |
| 18 | V355000140 | 1 | COLLAR | |
| 19 | 90025304012 | 1 | SCREW 4X12 - TAPPING | |
| 20 | V651000011 | 1 | GEAR, BEVEL | |
| 21 | V651000001 | 1 | GEAR, BEVEL | |
| 22 | C309000030 | 1 | TENSIONER, CHAIN | |
| 23 | V203000041 | 1 | BOLT 5 | |
| 24 | 43302635430 | 1 | CATCHER, CHAIN | |
| 25 | 90025305020 | 1 | SCREW 5X20 - TAPPING | |
| 26 | C304000000 | 1 | BUMPER, SPIKED | |
| 27 | 90025305020 | 1 | SCREW 5X20 - TAPPING | |
| 28 | 43301903933 | 2 | FLANGE NUT | |
| 29 | C305000080 | 1 | PLATE, SPROCKET GUARD | |
| 30 | 90025304010 | 1 | SCREW 4X10 | |



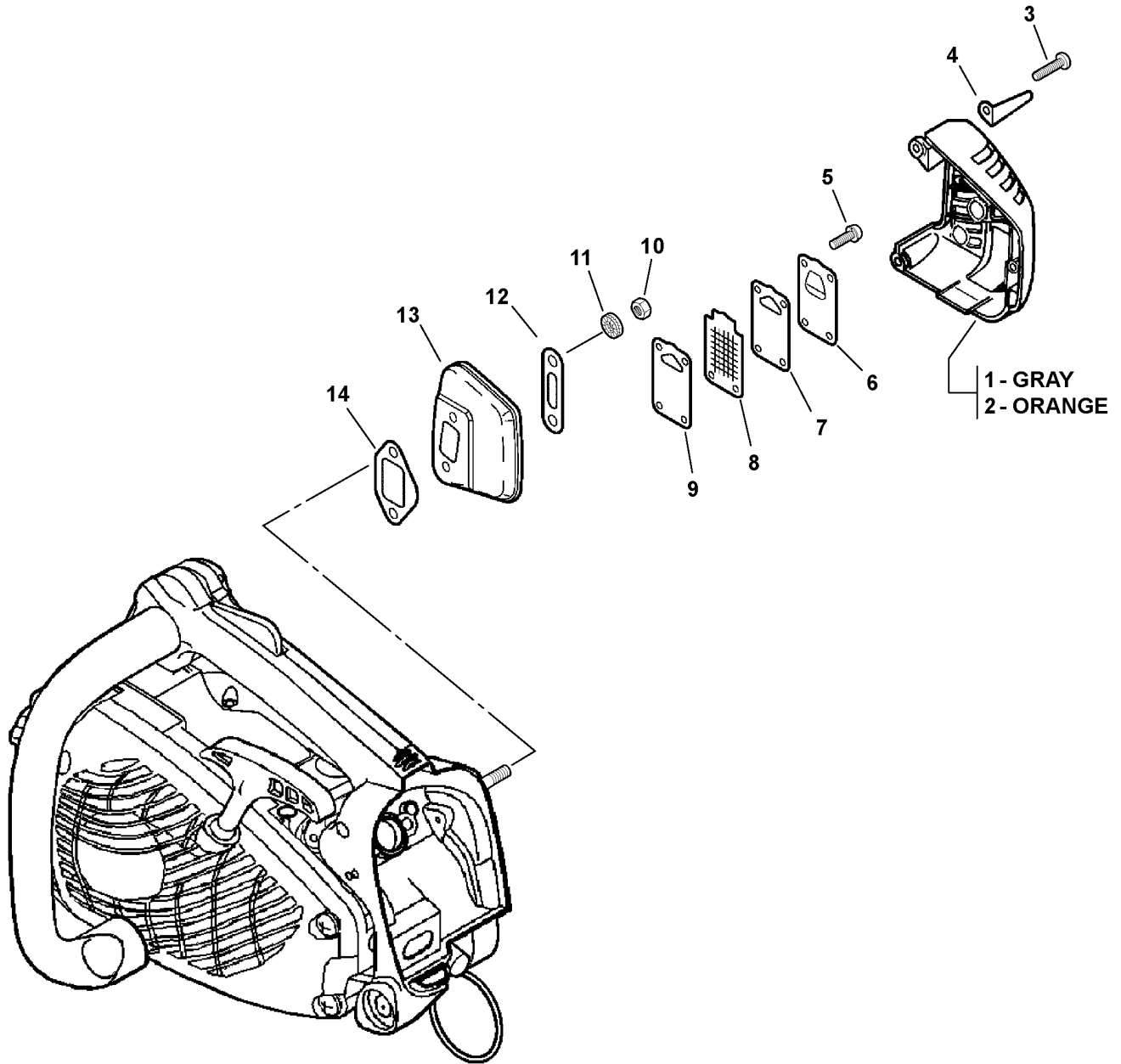
013 0006 ORA

| ITEM | PART NUMBER | QTY | DESCRIPTION | REMARKS |
|------|-------------|-----|--------------------------|---------------------|
| 1 | P021016470 | 1 | CHAIN BRAKE ASY | INCLUDES ITEMS 2-17 |
| 2 | 9131805032 | 1 | SCREW 5X32 | |
| 3 | 43316739130 | 1 | SPACER | |
| 4 | C320000190 | 1 | LEVER, BRAKE - BLACK | |
| 5 | 90033030260 | 2 | ROLLER | |
| 6 | V353000060 | 1 | COLLAR | |
| 7 | 90056250005 | 1 | FLANGE NUT 5 | |
| 8 | V452000110 | 1 | SPRING | |
| 9 | 90025304012 | 3 | SCREW 4X12 - TAPPING | |
| 10 | C345000310 | 1 | COVER, BRAKE - ORANGE | |
| 11 | 43311635430 | 1 | SPACER 8X12X9 | |
| 12 | C334000070 | 1 | CONNECTOR, BRAKE | |
| 13 | 9305030098 | 1 | ROLLER | |
| 14 | C328000030 | 1 | BAND, BRAKE | |
| 15 | V376000450 | 1 | SPACER | |
| 16 | V450000070 | 1 | SPRING | |
| 17 | C300000420 | 1 | GUARD, SPROCKET - ORANGE | |
| 18 | V355000140 | 1 | COLLAR | |
| 19 | 90025304012 | 1 | SCREW 4X12 - TAPPING | |
| 20 | V651000011 | 1 | GEAR, BEVEL | |
| 21 | V651000001 | 1 | GEAR, BEVEL | |
| 22 | C309000030 | 1 | TENSIONER, CHAIN | |
| 23 | V203000041 | 1 | BOLT 5 | |
| 24 | 43302635430 | 1 | CATCHER, CHAIN | |
| 25 | 90025305020 | 1 | SCREW 5X20 - TAPPING | |
| 26 | C304000000 | 1 | BUMPER, SPIKED | |
| 27 | 90025305020 | 1 | SCREW 5X20 - TAPPING | |
| 28 | 43301903933 | 2 | FLANGE NUT | |
| 29 | C305000080 | 1 | PLATE, SPROCKET GUARD | |
| 30 | 90025304010 | 1 | SCREW 4X10 | |



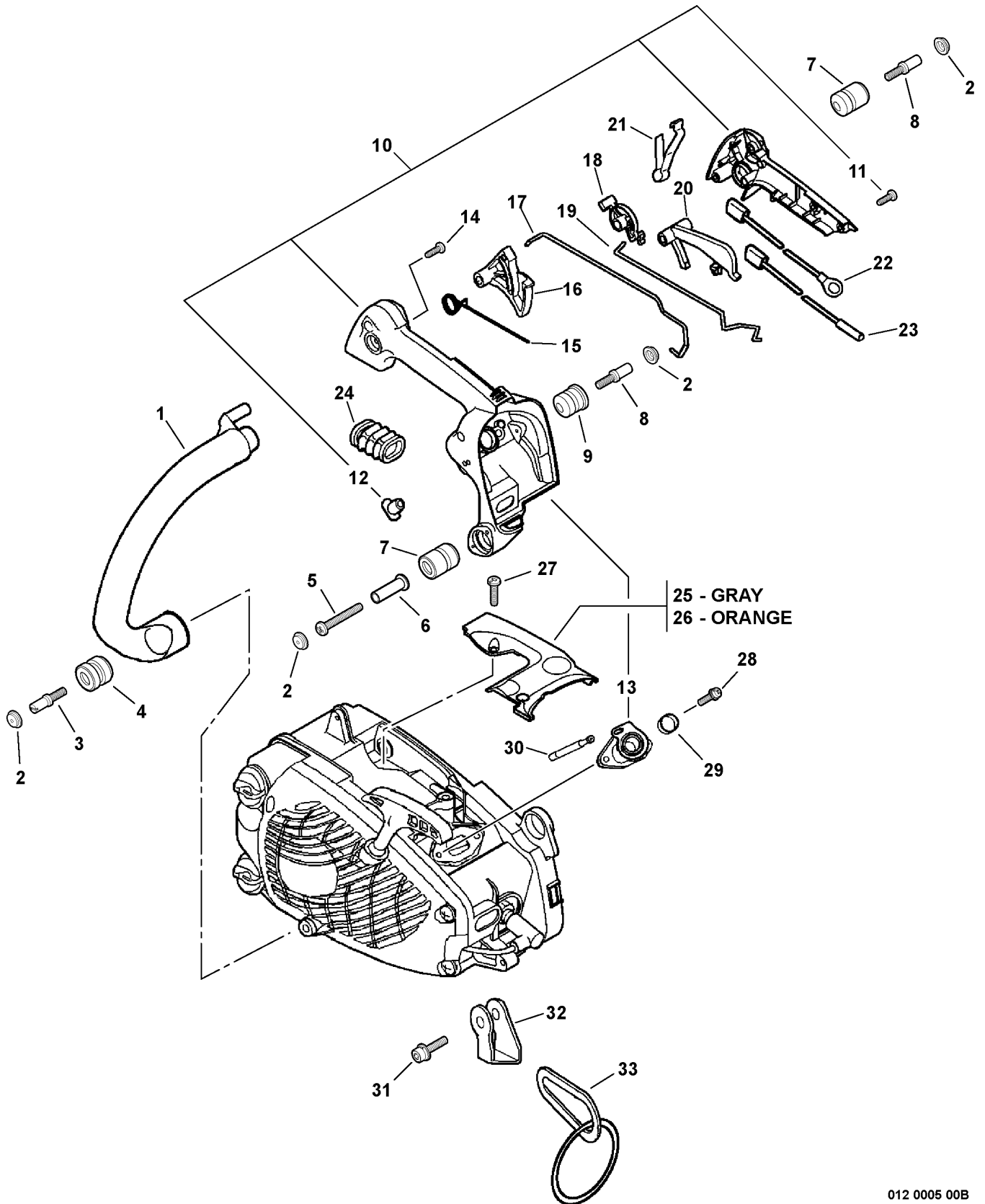
014 0004 000

| ITEM | PART NUMBER | QTY | DESCRIPTION | REMARKS |
|------|-------------|-----|-----------------|--------------------|
| 1 | A056000070 | 1 | CLUTCH ASY | INCLUDES ITEMS 2-4 |
| 2 | A552000020 | 1 | HUB, CLUTCH | |
| 3 | P021005810 | 1 | CLUTCH SHOE SET | |
| 4 | V451000470 | 3 | SPRING, CLUTCH | |
| 5 | A551000010 | 1 | PLATE, CLUTCH | |
| 6 | 17500539132 | 1 | DRUM, CLUTCH | |
| 7 | 17501200831 | 1 | BEARING, NEEDLE | |
| 8 | 17501439131 | 1 | WASHER | |



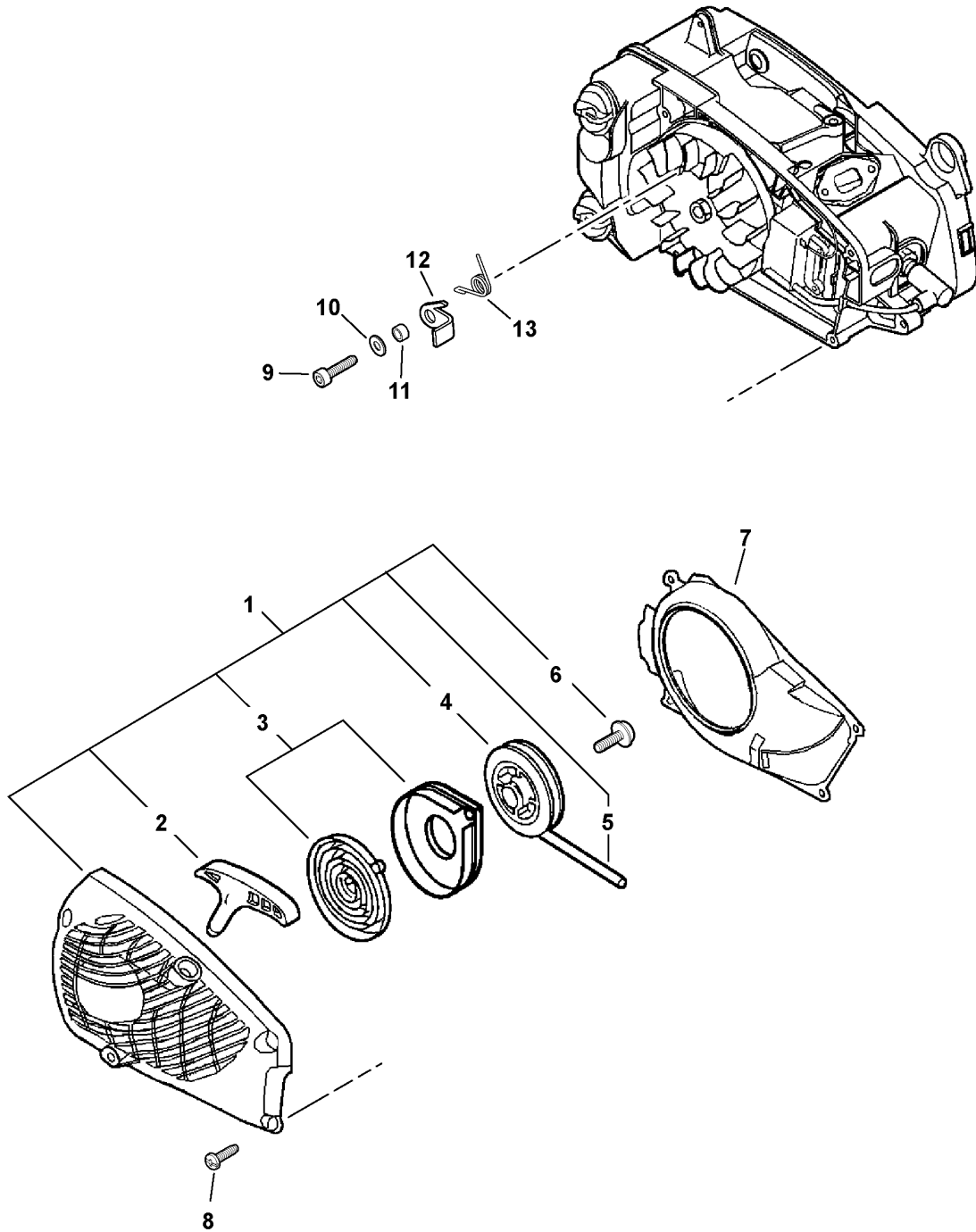
011 0005 000

| ITEM | PART NUMBER | QTY | DESCRIPTION | REMARKS |
|------|-------------|-----|-------------------------|---------|
| 1 | A320000322 | 1 | COVER, MUFFLER - GRAY | |
| 2 | A320000490 | 1 | COVER, MUFFLER - ORANGE | |
| 3 | 90025304016 | 3 | SCREW 4X16 - TAPPING | |
| 4 | V376000740 | 1 | SPACER | |
| 5 | 9136704012 | 4 | SCREW 4X12 | |
| 6 | A313000721 | 1 | GUIDE, EXHAUST | |
| 7 | V104000680 | 1 | GASKET, EXHAUST | |
| 8 | A310000030 | 1 | SCREEN | |
| 9 | A313000710 | 1 | GUIDE, EXHAUST | |
| 10 | 90050000005 | 2 | NUT | |
| 11 | 9228005000 | 2 | WASHER | |
| 12 | 14564213930 | 1 | EYE PLATE | |
| 13 | A300000551 | 1 | MUFFLER | |
| 14 | A301000020 | 1 | GASKET, EXHAUST | |



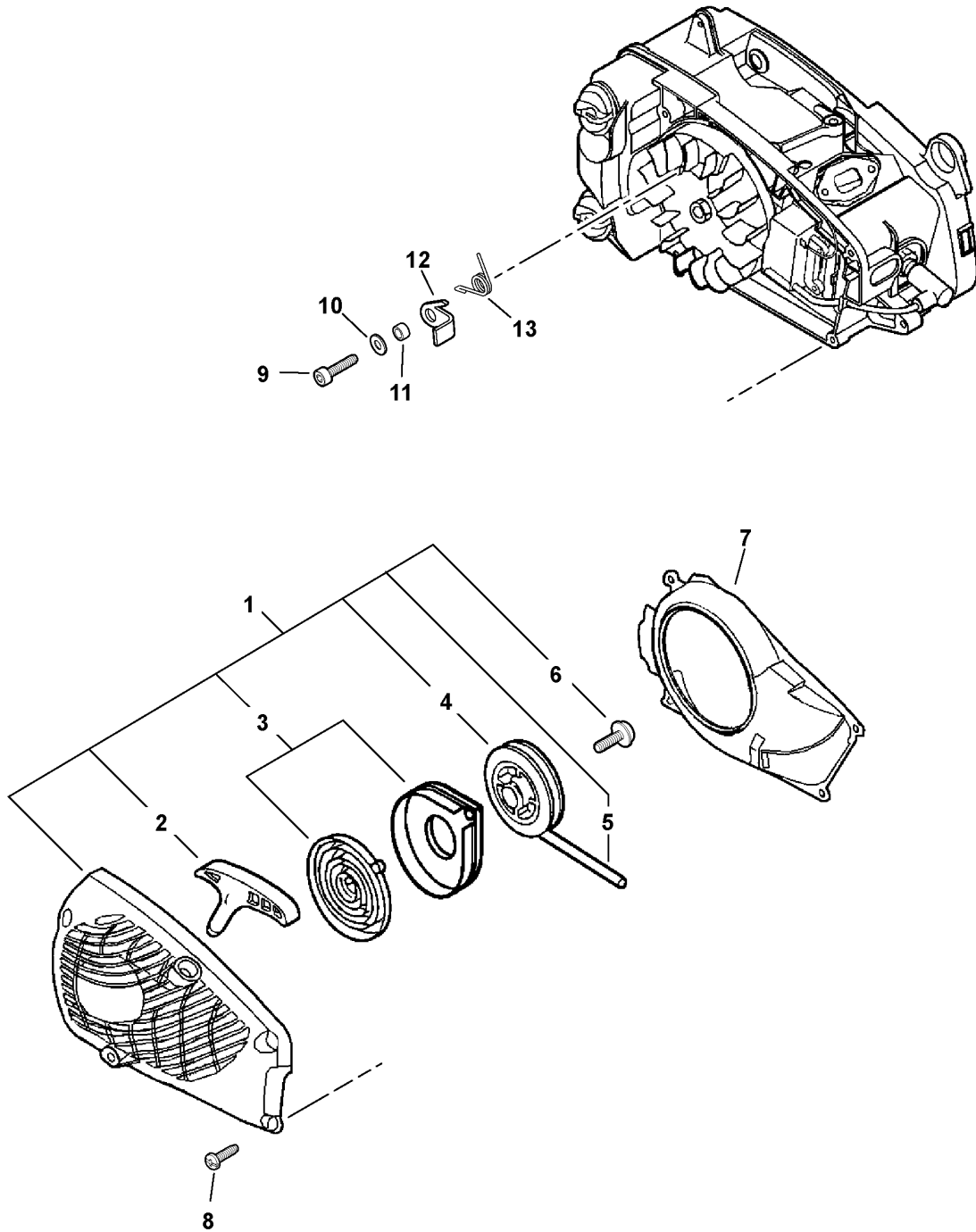
012 0005 00B

| ITEM | PART NUMBER | QTY | DESCRIPTION | REMARKS |
|------|-------------|-----|--------------------------|----------------------|
| 1 | C400000371 | 1 | HANDLE, FRONT | |
| 2 | 10091815130 | 4 | CAP | |
| 3 | 10091532530 | 1 | SCREW | |
| 4 | 10091060030 | 1 | CUSHION | |
| 5 | 9148104035 | 1 | SCREW 4X35 - TAPPING | |
| 6 | V352000020 | 1 | COLLAR | |
| 7 | V400000021 | 2 | CUSHION | |
| 8 | V202000020 | 2 | BOLT | |
| 9 | 10092139130 | 1 | CUSHION | |
| 10 | P021009003 | 1 | REAR HANDLE SET | INCLUDES ITEMS 11-13 |
| 11 | 90025604016 | 4 | SCREW 4X16 | |
| 12 | 13002033330 | 2 | NUT | |
| 13 | A202000051 | 1 | BELLOWS, INTAKE | |
| 14 | 90025305020 | 2 | SCREW 5X20 - TAPPING | |
| 15 | V452000010 | 1 | SPRING, THROTTLE TRIGGER | |
| 16 | C450000010 | 1 | TRIGGER, THROTTLE | |
| 17 | C454000070 | 1 | ROD, THROTTLE | |
| 18 | A253000043 | 1 | LEVER, CHOKE | |
| 19 | A240000010 | 1 | ROD, CHOKE | |
| 20 | C460000002 | 1 | LOCKOUT, THROTTLE | |
| 21 | V486000010 | 1 | TERMINAL, LEAD | |
| 22 | V485000340 | 1 | LEAD, GROUND | |
| 23 | 16201055930 | 1 | LEAD, IGNITION | |
| 24 | A239000000 | 1 | BELLOWS, INTAKE | |
| 25 | A127000130 | 1 | COVER, DUST - GRAY | |
| 26 | A127000220 | 1 | COVER, DUST - ORANGE | |
| 27 | 90025304012 | 2 | SCREW 4X12 - TAPPING | |
| 28 | 90023805012 | 2 | SCREW 5X12 | |
| 29 | V359000060 | 1 | COLLAR | |
| 30 | V470000481 | 1 | PIPE | |
| 31 | 90016204025 | 1 | SCREW 4X25 | |
| 32 | C626000040 | 1 | BRACKET, HARNESS | |
| 33 | C646000050 | 1 | RING, HARNESS | |



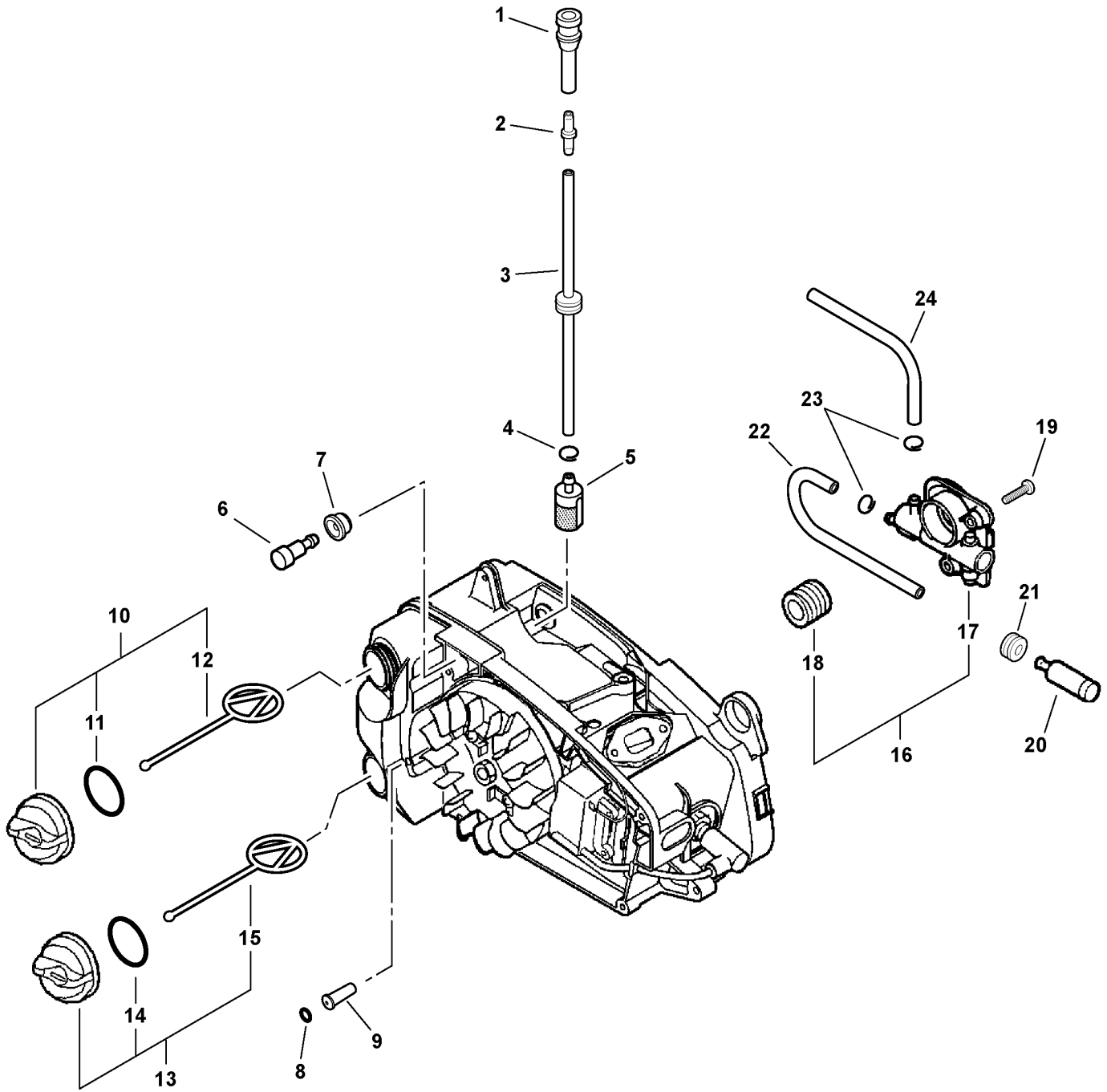
015 0003 000

| ITEM | PART NUMBER | QTY | DESCRIPTION | REMARKS |
|------|-------------|-----|-------------------------|----------------------------------|
| 1 | A051000921 | 1 | STARTER ASY - GRAY | INCLUDES ITEMS 2-6 |
| 2 | P022005890 | 1 | GRIP, STARTER | |
| 3 | P022010440 | 1 | REWIND SPRING KIT | |
| 4 | P022010451 | 1 | DRUM, STARTER | |
| 5 | P022005900 | 1 | ROPE, STARTER - 3X920mm | REPOWER BULK OPTION: 99944440000 |
| 6 | 17723644330 | 1 | SCREW | |
| 7 | A172000510 | 1 | COVER, FAN | |
| 8 | V202000040 | 4 | SCREW | |
| 9 | 90010505014 | 2 | SCREW 5X14 | |
| 10 | 90060300005 | 4 | WASHER | |
| 11 | 17724704630 | 2 | SPACER | |
| 12 | A514000020 | 2 | PAWL | |
| 13 | 17723435430 | 2 | SPRING, RETURN | |



015 0003 ORA

| ITEM | PART NUMBER | QTY | DESCRIPTION | REMARKS |
|------|-------------|-----|-------------------------|----------------------------------|
| 1 | A051001330 | 1 | STARTER ASY - ORANGE | INCLUDES ITEMS 2-6 |
| 2 | P022005890 | 1 | GRIP, STARTER | |
| 3 | P022010440 | 1 | REWIND SPRING KIT | |
| 4 | P022010451 | 1 | DRUM, STARTER | |
| 5 | P022005900 | 1 | ROPE, STARTER - 3X920mm | REPOWER BULK OPTION: 99944440000 |
| 6 | 17723644330 | 1 | SCREW | |
| 7 | A172000510 | 1 | COVER, FAN | |
| 8 | V202000040 | 4 | SCREW | |
| 9 | 90010505014 | 2 | SCREW 5X14 | |
| 10 | 90060300005 | 4 | WASHER | |
| 11 | 17724704630 | 2 | SPACER | |
| 12 | A514000020 | 2 | PAWL | |
| 13 | 17723435430 | 2 | SPRING, RETURN | |

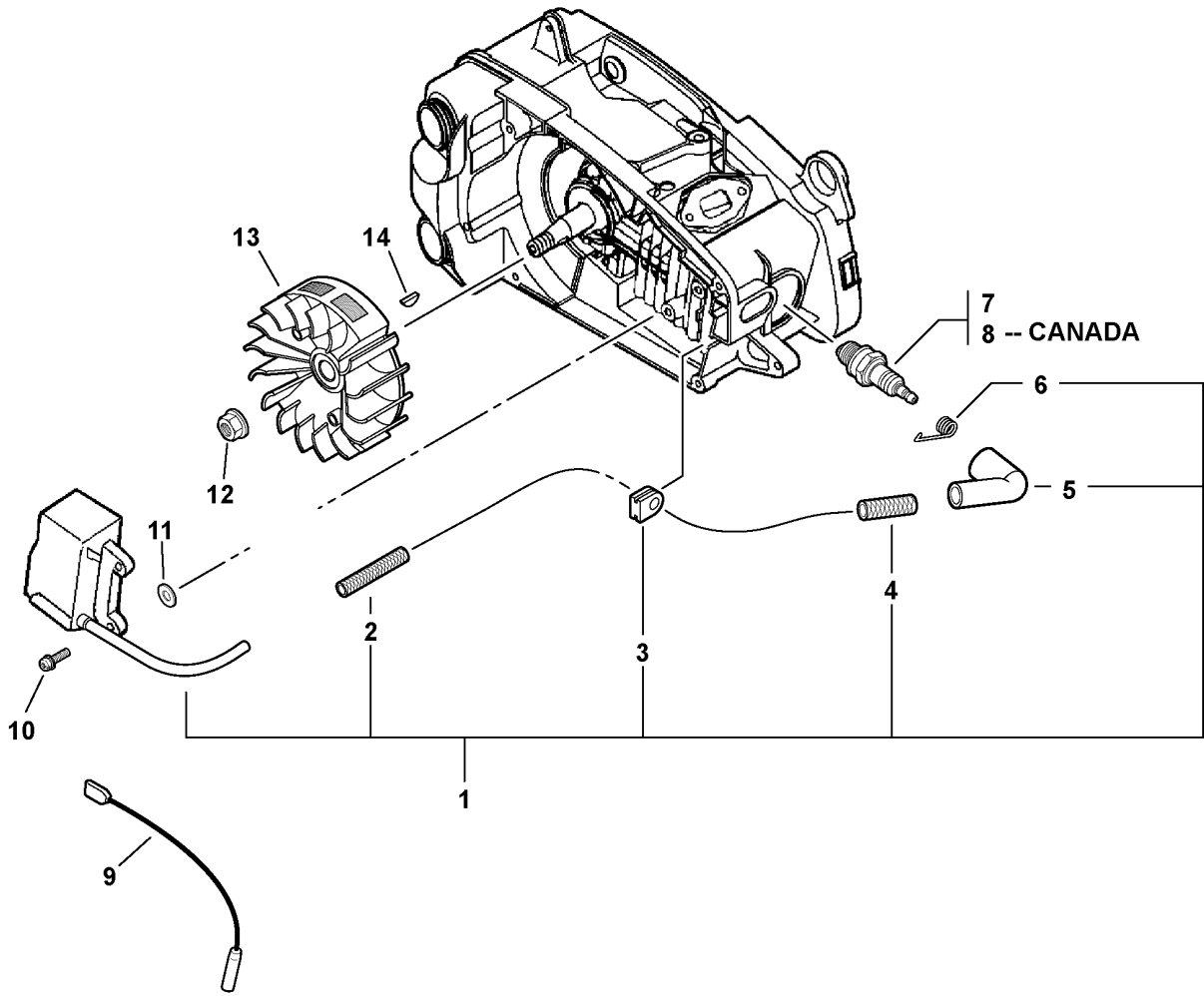


017 0003 000

| ITEM | PART NUMBER | QTY | DESCRIPTION | REMARKS |
|------|-------------|-----|---------------------------|----------------------------|
| 1 | V470000690 | 1 | PIPE, FUEL | |
| 2 | V186000020 | 1 | CONNECTOR | |
| 3 | V470000710 | 1 | FUEL PIPE ASY | |
| 4 | 13201309820 | 1 | CLIP | |
| 5 | 13120507320 | 1 | FILTER, FUEL ¹ | |
| 6 | A356000030 | 1 | VENT ASY | |
| 7 | V137000000 | 1 | GROMMET | |
| 8 | 90072400004 | 1 | O-RING | |
| 9 | 43611413930 | 1 | VALVE, CHECK | |
| 10 | P021005591 | 1 | CAP ASY - ORANGE | INCLUDES ITEMS 11-12 |
| 11 | 90072000018 | 1 | O-RING | |
| 12 | A365000050 | 1 | CONNECTOR, CAP | |
| 13 | P021005581 | 1 | CAP ASY - BLACK | INCLUDES ITEMS 14-15 |
| 14 | 90072000018 | 1 | O-RING | |
| 15 | A365000050 | 1 | CONNECTOR, CAP | |
| 16 | P021001980 | 1 | AUTO-OILER ASY | INCLUDES ITEMS 17-18 |
| 17 | C022000000 | 1 | AUTO-OILER | |
| 18 | V652000010 | 1 | GEAR, WORM | |
| 19 | 90023804012 | 2 | SCREW 4X12 | |
| 20 | 43620502832 | 1 | FILTER, OIL | |
| 21 | 13211501461 | 1 | GROMMET, FUEL | |
| 22 | 13011005260 | 1 | PIPE, IMPULSE - 3X5X185mm | REPOWER BULK OPTION: 90014 |
| 23 | 13201326630 | 2 | CLIP | |
| 24 | V471000760 | 1 | PIPE, OIL - 3X6X90mm | |

Footnotes

1: Also Included In REPOWER TUNE-UP KIT

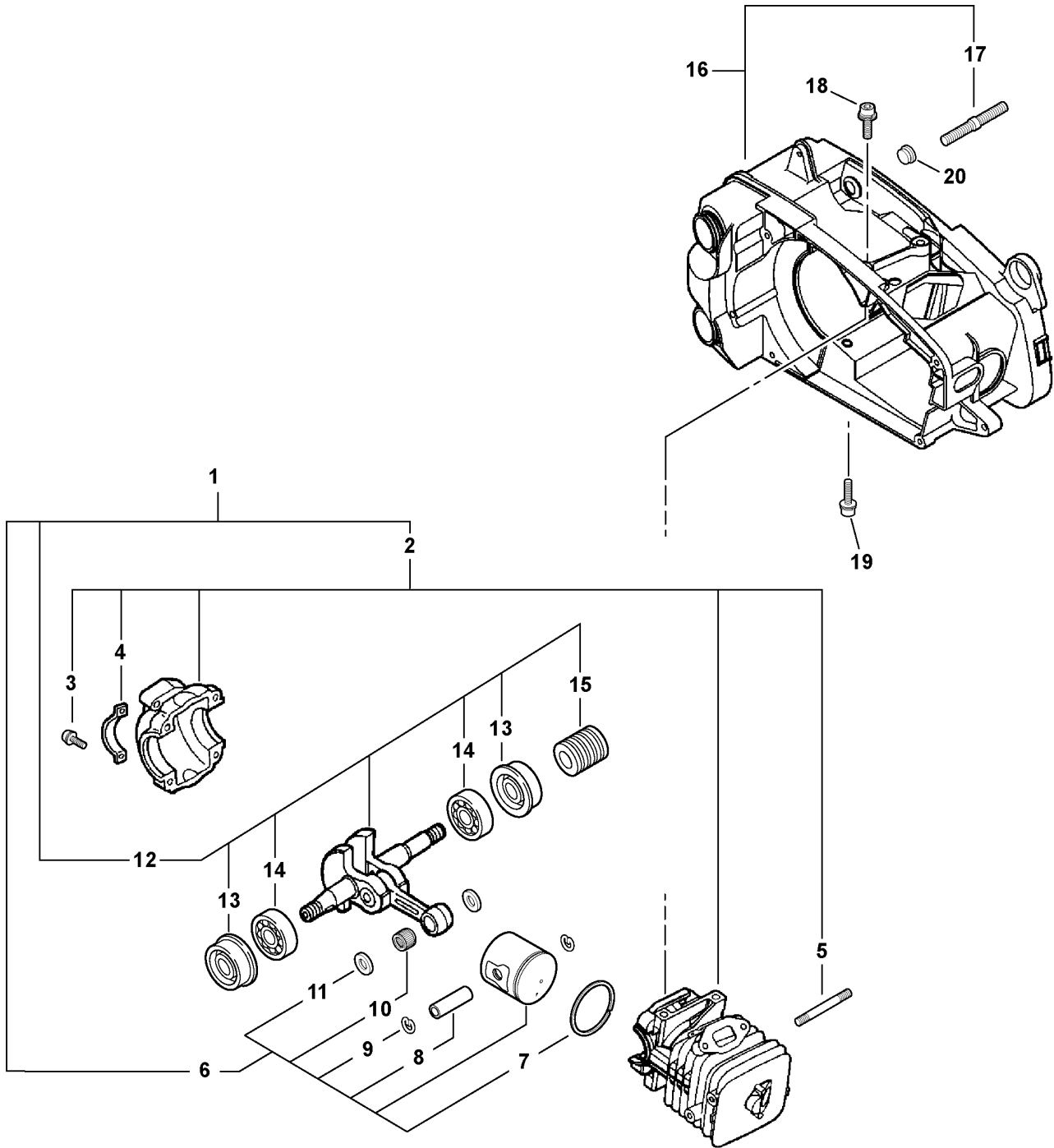


018 0004 000

| ITEM | PART NUMBER | QTY | DESCRIPTION | REMARKS |
|------|-------------|-----|------------------------------------|--------------------|
| 1 | A411000242 | 1 | COIL KIT | INCLUDES ITEMS 2-6 |
| 2 | P003001450 | 1 | TUBE, INSULATOR | |
| 3 | 15611004920 | 1 | BUSHING | |
| 4 | P003001440 | 1 | TUBE, INSULATOR | |
| 5 | A427000020 | 1 | CAP, SPARK PLUG | |
| 6 | A426000020 | 1 | TERMINAL, SPARK PLUG CAP | |
| 7 | 15901019830 | 1 | SPARK PLUG -- BPM-8Y ¹ | |
| 8 | A425000000 | 1 | SPARK PLUG -- BPMR-8Y ¹ | |
| 9 | V485000590 | 1 | LEAD, IGNITION | |
| 10 | 90023805022 | 2 | SCREW 5X22 | |
| 11 | 15011716430 | 2 | SPACER | |
| 12 | 90051500008 | 1 | FLANGE NUT | |
| 13 | A409000241 | 1 | FLYWHEEL | |
| 14 | 10014212330 | 1 | WOODRUFF KEY | |

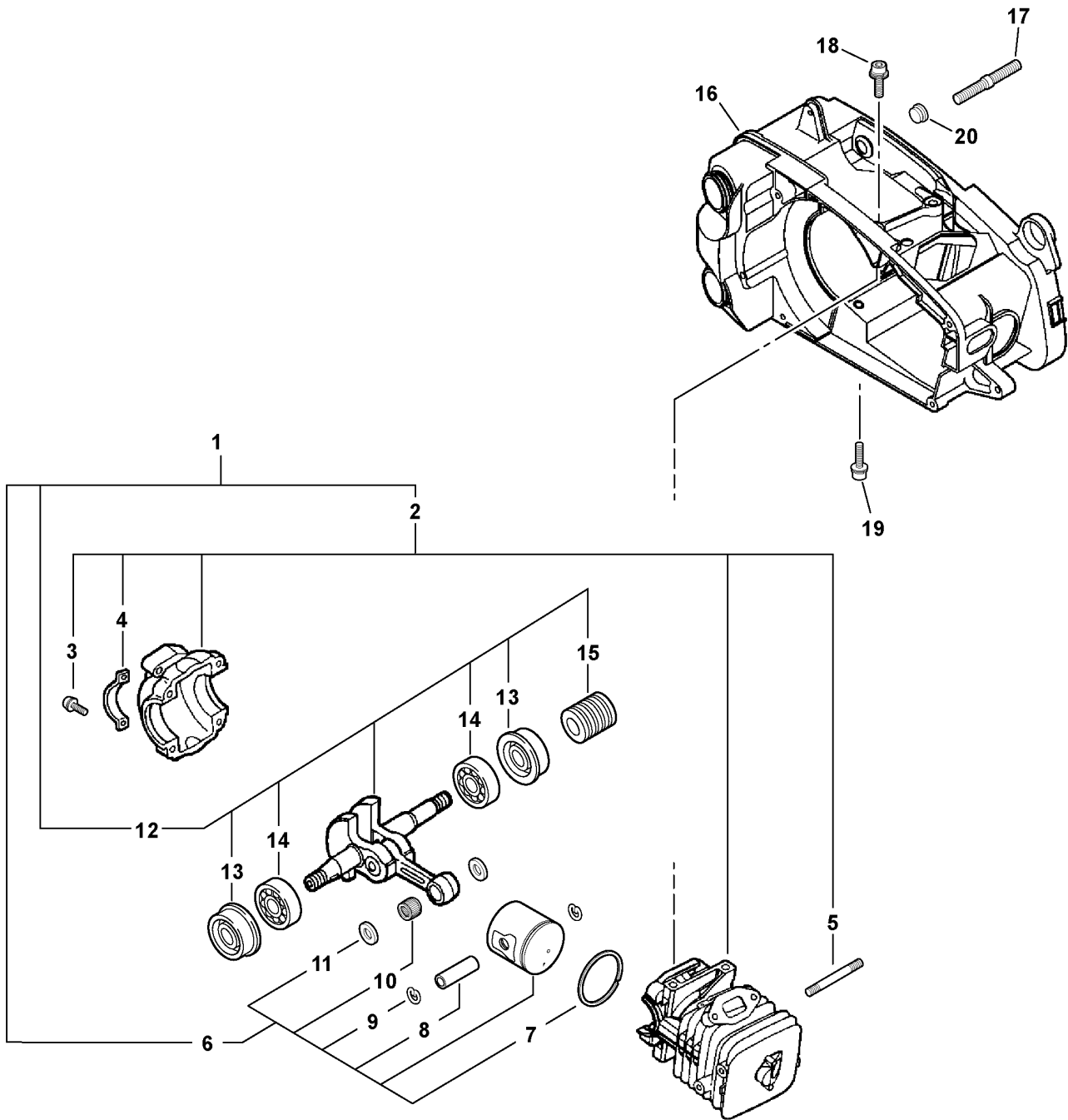
Footnotes

1: Also Included In REPOWER TUNE-UP KIT



SB1086 0000 000

| ITEM | PART NUMBER | QTY | DESCRIPTION | REMARKS |
|------|-------------|-----|----------------------|----------------------|
| 1 | SB1086 | 1 | SHORT BLOCK | INCLUDES ITEMS 2-15 |
| 2 | P021009032 | 1 | CRANKCASE KIT | INCLUDES ITEMS 3-5 |
| 3 | 9112805025 | 4 | SCREW 5X25 | |
| 4 | V150001670 | 2 | BRACKET, CRANKCASE | |
| 5 | V223000000 | 2 | BOLT, STUD | |
| 6 | P021009040 | 1 | PISTON KIT | INCLUDES ITEMS 7-11 |
| 7 | A101000110 | 1 | RING, PISTON | |
| 8 | 10001315330 | 1 | PIN, PISTON | |
| 9 | 10001504630 | 2 | CIRCLIP, PISTON PIN | |
| 10 | V553000040 | 1 | BEARING, NEEDLE | |
| 11 | 10001460930 | 2 | SPACER, PISTON PIN | |
| 12 | P021008992 | 1 | CRANKSHAFT ASY | INCLUDES ITEMS 13-15 |
| 13 | V505000010 | 2 | OIL SEAL | |
| 14 | 9403536201 | 2 | BEARING, BALL - 6201 | |
| 15 | V652000010 | 1 | GEAR, WORM | |
| 16 | P021008962 | 1 | COVER, ENGINE - GRAY | INCLUDES ITEM 17 |
| 17 | V224000030 | 2 | STUD, GUIDE BAR | |
| 18 | 90010605020 | 2 | SCREW 5X20 | |
| 19 | 90010605030 | 2 | SCREW 5X30 | |
| 20 | 16391130130 | 1 | PLUG | |



SB1086 0000 ORG

| ITEM | PART NUMBER | QTY | DESCRIPTION | REMARKS |
|------|-------------|-----|------------------------|----------------------|
| 1 | SB1086 | 1 | SHORT BLOCK | INCLUDES ITEMS 2-15 |
| 2 | P021009032 | 1 | CRANKCASE KIT | INCLUDES ITEMS 3-5 |
| 3 | 9112805025 | 4 | SCREW 5X25 | |
| 4 | V150001670 | 2 | BRACKET, CRANKCASE | |
| 5 | V223000000 | 2 | BOLT, STUD | |
| 6 | P021009040 | 1 | PISTON KIT | INCLUDES ITEMS 7-11 |
| 7 | A101000110 | 1 | RING, PISTON | |
| 8 | 10001315330 | 1 | PIN, PISTON | |
| 9 | 10001504630 | 2 | CIRCLIP, PISTON PIN | |
| 10 | V553000040 | 1 | BEARING, NEEDLE | |
| 11 | 10001460930 | 2 | SPACER, PISTON PIN | |
| 12 | P021008992 | 1 | CRANKSHAFT ASY | INCLUDES ITEMS 13-15 |
| 13 | V505000010 | 2 | OIL SEAL | |
| 14 | 9403536201 | 2 | BEARING, BALL - 6201 | |
| 15 | V652000010 | 1 | GEAR, WORM | |
| 16 | A190000790 | 1 | COVER, ENGINE - ORANGE | |
| 17 | V224000030 | 2 | STUD, GUIDE BAR | |
| 18 | 90010605020 | 2 | SCREW 5X20 | |
| 19 | 90010605030 | 2 | SCREW 5X30 | |
| 20 | 16391130130 | 1 | PLUG | |

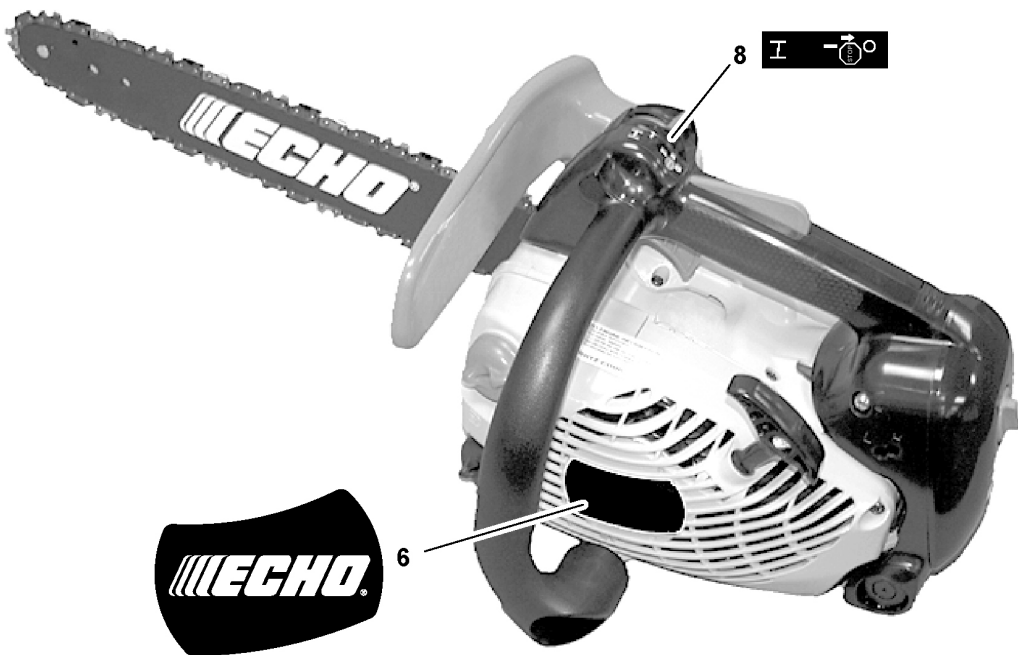
ADVERTENCIA PELIGRO
 Esta unidad puede ser peligrosa y producir lesiones personales graves si no se usa en forma adecuada. Para reducir el riesgo de lesiones, los operadores, los ayudantes y los espectadores deben leer y comprender el Manual Del Operador y los Manuales e seguridad que se entregan escritos en español.

| GUIDE BAR PART NO. | CHAIN TYPE | REPLACEMENT BAR AND CHAIN LINKS | NOTE |
|--------------------|-------------|---------------------------------|--|
| 12" 12AOE03745 | OREGON 91VG | 45 | There may be other replacement components for achieving kickback protection. For details, please refer to the bar and chain combination sheet shown in the instruction manual. |
| 14" 14AOE03752 | OREGON 91VG | 52 | |
| 16" 16AOE03757 | OREGON 91VG | 57 | |

CS-360T
WARNING! Read and follow all safety precautions in the instruction manual. Failure to follow instructions could result in serious personal injury.

TO AVOID KICKBACK
 1. Hold the chain saw firmly with both hands.
 2. Don't let the nose of the guide bar contact any obstruction.
 3. Tip contact may suddenly move the guide bar upward and backward, which may cause serious injury.

WARNING
 Lesen dieses Warnfeld. Es enthält wichtige Sicherheitshinweise. Lesen Sie die Bedienungsanleitung und alle anderen Warnfelder der Bedienungsanleitung. Versagen Sie nicht, diese Anweisungen zu befolgen. Ein Verstoß gegen diese Anweisungen kann zu schweren Verletzungen führen.
 This section of the manual contains important safety information. Read this section of the manual carefully. Failure to follow these instructions could result in serious personal injury.



100 0037 0US

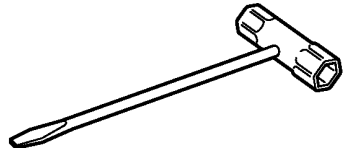
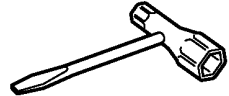
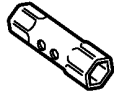

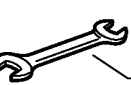

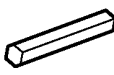







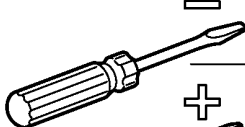
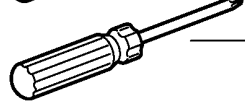
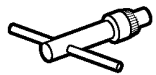
CS-360T Chain Saw

Labels

| ITEM | PART NUMBER | QTY | DESCRIPTION | REMARKS |
|------|-------------|-----|--------------------------|---------|
| 1 | 89022839131 | 1 | LABEL, CAUTION | |
| 2 | X524001710 | 1 | LABEL, BAR & CHAIN | |
| 3 | X502000340 | 1 | LABEL - ECHO | |
| 4 | X505002060 | 1 | LABEL, WARNING | |
| 5 | X505002310 | 1 | LABEL - CAUTION -- HOT | |
| 6 | 89019130131 | 1 | LABEL - KICK BACK | |
| 7 | X503006590 | 1 | LABEL - MODEL -- CS-360T | |
| 8 | X524001450 | 1 | LABEL - STOP | |
| 9 | X502000620 | 1 | LABEL - ECHO | |

| RePower Tune-Up Kit | Contains: Service Number | Description |
|----------------------------|---------------------------------|--------------------|
| 900100 | A226000291 | AIR FILTER |
| | 13120514930 | FUEL FILTER |
| | 15901019830 | SPARK PLUG BPM-8Y |

| <u>ITEM</u> | <u>PART NUMBER</u> | <u>QTY</u> | <u>DESCRIPTION</u> | <u>REMARKS</u> |
|-------------|--------------------|------------|---------------------|----------------|
| 1 | 900100 | 1 | REPOWER TUNE-UP KIT | |

| | |
|---|-----------------------------|
|  | 1 - 89541010630 -- 17X19mm |
|  | 2 - X602000020 -- 17X19mm |
|  | 3 - 89541039131 -- 10X19mm |
|  | 4 - 89541006960 -- 13X19mm |
|  | 5 - X602000031 -- 17X14.5mm |
|  | 6 - 89751801131 -- 5X120mm |
|  | 7 - 89511200330 -- 8X10mm |
|  | 8 - 89512220960 -- 17X19mm |
|  | 9 - 89501505260 -- 10mm |
|  | 10 - 89541220960 -- 10mm |
|  | 11 - 89561203430 -- 3mm |
|  | 12 - 89561000130 -- 4mm |
|  | 13 - 89561100330 -- 5mm |
|  | 14 - X605000060 -- T27 |
|  | 15 - 89581100130 -- 125mm |
|  | 16 - 89581203930 -- 50mm |
|  | 17 - 89757005560 |

Consult Your Owners Manual - Consulte a sus dueños manuales

200 0001 000

| ITEM | PART NUMBER | QTY | DESCRIPTION | REMARKS |
|------|-------------|-----|---------------------------|-----------------|
| 1 | 89541010630 | 1 | SOCKET WRENCH/SCREWDRIVER | 17X19mm |
| 2 | X602000020 | 1 | SOCKET WRENCH/SCREWDRIVER | 17X19mm |
| 3 | 89541039131 | 1 | SOCKET WRENCH/SCREWDRIVER | 10X19mm |
| 4 | 89541006960 | 1 | SOCKET WRENCH/SCREWDRIVER | 13X19mm |
| 5 | X602000031 | 1 | SOCKET WRENCH | 17X14.5mm |
| 6 | 89751801131 | 1 | LOCKING ROD | 5X120mm |
| 7 | 89511200330 | 1 | OPEN END WRENCH | 8X10mm |
| 8 | 89512220960 | 1 | OPEN END WRENCH | 17X19mm |
| 9 | 89501505260 | 1 | OPEN END WRENCH | 10mm |
| 10 | 89541220960 | 1 | HEX BAR | 10mm |
| 11 | 89561203430 | 1 | HEX KEY | 3mm |
| 12 | 89561000130 | 1 | HEX KEY | 4mm |
| 13 | 89561100330 | 1 | HEX KEY | 5mm |
| 14 | X605000060 | 1 | TORX KEY | T27 |
| 15 | 89581100130 | 1 | SCREWDRIVER | 125mm SLOT HEAD |
| 16 | 89581203930 | 1 | SCREWDRIVER | 50mm CROSS HEAD |
| 17 | 89757005560 | 1 | CHUCK KEY | |



Part Number Index

Click The Page Number After Any Part Number To View The Diagram Containing That Part.

| Part Number | Page | Part Number | Page | Part Number | Page |
|-------------|--------|-------------|------------|-------------|------------|
| ----- | 5, 7 | 90025304012 | 11, 13, 19 | P003000140 | 7 |
| 10001315330 | 29, 31 | 90025304016 | 17 | P003000160 | 7 |
| 10001460930 | 29, 31 | 90025305020 | 11, 13, 19 | P003000240 | 7 |
| 10001504630 | 29, 31 | 90025604016 | 19 | P003000250 | 7 |
| 10014212330 | 27 | 90033030260 | 11, 13 | P003000380 | 7 |
| 10091060030 | 19 | 90050000005 | 17 | P003001140 | 7 |
| 10091532530 | 19 | 90051500008 | 27 | P003001300 | 7 |
| 10091815130 | 19 | 90056250005 | 11, 13 | P003001380 | 7 |
| 10092139130 | 19 | 90060300005 | 21, 23 | P003001390 | 7 |
| 12311003930 | 7 | 90072000018 | 25 | P003001400 | 7 |
| 12311337530 | 7 | 90072400004 | 25 | P003001410 | 7 |
| 12311403930 | 7 | 9112805025 | 29, 31 | P003001440 | 27 |
| 12311405260 | 7 | 9131805032 | 11, 13 | P003001450 | 27 |
| 12311610860 | 7 | 9136704012 | 17 | P021001980 | 25 |
| 12312052131 | 7 | 9148104035 | 19 | P021005581 | 25 |
| 12312203660 | 7 | 91VG57CQ | 9 | P021005591 | 25 |
| 12312715030 | 7 | 9228005000 | 17 | P021005810 | 15 |
| 12313002960 | 7 | 9305030098 | 11, 13 | P021008962 | 29 |
| 12313304260 | 7 | 9403536201 | 29, 31 | P021008992 | 29, 31 |
| 12313903930 | 7 | A021001120 | 7 | P021009003 | 19 |
| 12314926030 | 7 | A051000921 | 21 | P021009032 | 29, 31 |
| 13002033330 | 19 | A051001330 | 23 | P021009040 | 29, 31 |
| 13011005260 | 25 | A056000070 | 15 | P021016470 | 13 |
| 13120507320 | 25 | A101000110 | 29, 31 | P022005890 | 21, 23 |
| 13201309820 | 25 | A127000130 | 19 | P022005900 | 21, 23 |
| 13201326630 | 25 | A127000220 | 19 | P022010440 | 21, 23 |
| 13211501461 | 25 | A172000510 | 21, 23 | P022010451 | 21, 23 |
| 14564213930 | 17 | A190000790 | 31 | SB1086 | 29, 31 |
| 15011716430 | 27 | A202000051 | 19 | V104000680 | 17 |
| 15611004920 | 27 | A204000072 | 5 | V137000000 | 25 |
| 15901019830 | 27 | A226000291 | 5 | V150001670 | 29, 31 |
| 16201055930 | 19 | A232000290 | 5 | V186000020 | 25 |
| 16391130130 | 29, 31 | A235000040 | 5 | V202000020 | 19 |
| 16A0ED3757 | 9 | A239000000 | 19 | V202000040 | 21, 23 |
| 17500539132 | 15 | A240000010 | 19 | V203000041 | 11, 13 |
| 17501200831 | 15 | A253000043 | 19 | V223000000 | 29, 31 |
| 17501439131 | 15 | A300000551 | 17 | V224000030 | 29, 31 |
| 17723435430 | 21, 23 | A301000020 | 17 | V352000020 | 19 |
| 17723644330 | 21, 23 | A310000030 | 17 | V353000060 | 11, 13 |
| 17724704630 | 21, 23 | A313000710 | 17 | V355000140 | 11, 13 |
| 2894901 | 9 | A313000721 | 17 | V359000060 | 19 |
| 43301903933 | 11, 13 | A320000322 | 17 | V376000450 | 11, 13 |
| 43302635430 | 11, 13 | A320000490 | 17 | V376000740 | 17 |
| 43311635430 | 11, 13 | A356000030 | 25 | V400000021 | 19 |
| 43316739130 | 11, 13 | A365000050 | 25 | V450000070 | 11, 13 |
| 43611413930 | 25 | A409000241 | 27 | V451000470 | 15 |
| 43620502832 | 25 | A411000242 | 27 | V452000010 | 19 |
| 89019130131 | 33 | A425000000 | 27 | V452000110 | 11, 13 |
| 89022839131 | 33 | A426000020 | 27 | V470000481 | 19 |
| 89501505260 | 37 | A427000020 | 27 | V470000690 | 25 |
| 89511200330 | 37 | A514000020 | 21, 23 | V470000710 | 25 |
| 89512220960 | 37 | A551000010 | 15 | V471000760 | 25 |
| 89541006960 | 37 | A552000020 | 15 | V485000340 | 19 |
| 89541010630 | 37 | C022000000 | 25 | V485000590 | 27 |
| 89541039131 | 37 | C032000261 | 11 | V486000010 | 19 |
| 89541220960 | 37 | C300000291 | 11 | V505000010 | 29, 31 |
| 89561000130 | 37 | C300000420 | 13 | V553000040 | 29, 31 |
| 89561100330 | 37 | C304000000 | 11, 13 | V651000001 | 11, 13 |
| 89561203430 | 37 | C305000080 | 11, 13 | V651000011 | 11, 13 |
| 89581100130 | 37 | C309000030 | 11, 13 | V652000010 | 25, 29, 31 |
| 89581203930 | 37 | C320000090 | 11 | X502000340 | 33 |
| 89751801131 | 37 | C320000190 | 13 | X502000620 | 33 |
| 89757005560 | 37 | C328000030 | 11, 13 | X503006590 | 33 |
| 900100 | 35 | C334000070 | 11, 13 | X505002060 | 33 |
| 90010505014 | 21, 23 | C345000191 | 11 | X505002310 | 33 |
| 90010605020 | 29, 31 | C345000310 | 13 | X524001450 | 33 |
| 90010605030 | 29, 31 | C400000371 | 19 | X524001710 | 33 |
| 90016204025 | 19 | C450000010 | 19 | X602000020 | 37 |
| 90023804012 | 25 | C454000070 | 19 | X602000031 | 37 |
| 90023805012 | 19 | C460000002 | 19 | X605000060 | 37 |
| 90023805022 | 27 | C626000040 | 19 | | |
| 90023805050 | 5 | C646000050 | 19 | | |
| 90025304010 | 11, 13 | P003000010 | 7 | | |



Part Description Index

Click The Page Number After Any Part Description To View The Diagram Containing That Part.

A

AUTO-OILER.....25
 AUTO-OILER ASY.....25

B

BAND, BRAKE.....11, 13
 BEARING, BALL - 6201.....29, 31
 BEARING, NEEDLE.....15, 29, 31
 BELLOWS, INTAKE.....19
 BODY, CARBURETOR.....7
 BOLT.....19
 BOLT 5.....11, 13
 BOLT, STUD.....29, 31
 BRACKET, CRANKCASE.....29, 31
 BRACKET, HARNESS.....19
 BUMPER, SPIKED.....11, 13
 BUSHING.....27

C

CAP.....19
 CAP ASY - BLACK.....25
 CAP ASY - ORANGE.....25
 CAP, MIXTURE LIMITER.....7
 CAP, SPARK PLUG.....27
 CARBURETOR.....5
 CARBURETOR -- WT-728.....7
 CATCHER, CHAIN.....11, 13
 CHAIN BRAKE ASY.....11, 13
 CHUCK KEY.....37
 CIRCLIP.....7
 CIRCLIP, PISTON PIN.....29, 31
 CLIP.....25
 CLUTCH ASY.....15
 CLUTCH SHOE SET.....15
 COIL KIT.....27
 COLLAR.....11, 13, 19
 CONNECTOR.....25
 CONNECTOR, CAP.....25
 CONNECTOR, BRAKE.....11, 13
 COVER, BRAKE - GRAY.....11
 COVER, BRAKE - ORANGE.....13
 COVER, DUST - GRAY.....19
 COVER, DUST - ORANGE.....19
 COVER, ENGINE - GRAY.....29
 COVER, ENGINE - ORANGE.....31
 COVER, FAN.....21, 23
 COVER, FUEL PUMP.....7
 COVER, METERING DIAPHRAGM.....7
 COVER, MUFFLER - GRAY.....17
 COVER, MUFFLER - ORANGE.....17
 CRANKCASE KIT.....29, 31
 CRANKSHAFT ASY.....29, 31
 CUSHION.....19

D

DIAPHRAGM, FUEL PUMP.....7
 DIAPHRAGM, METERING.....7
 DRUM, CLUTCH.....15
 DRUM, STARTER.....21, 23

E

EYE PLATE.....17

F

FILTER, AIR.....5
 FILTER, FUEL.....25
 FILTER, OIL.....25
 FLANGE NUT.....11, 13, 27
 FLANGE NUT 5.....11, 13
 FLYWHEEL.....27
 FUEL PIPE ASY.....25

G

GASKET, EXHAUST.....17
 GASKET, FUEL PUMP.....7
 GASKET, METERING DIAPHRAGM.....7
 GASKET/DIAPHRAGM KIT.....7
 GEAR, BEVEL.....11, 13
 GEAR, WORM.....25, 29, 31
 GRIP, STARTER.....21, 23
 GROMMET.....25
 GROMMET, FUEL.....25
 GUARD, SPROCKET - GRAY.....11
 GUARD, SPROCKET - ORANGE.....13
 GUIDE BAR - 16" -- Pro 91.....9
 GUIDE, EXHAUST.....17

H

HANDLE, FRONT.....19
 HEX BAR.....37
 HEX KEY.....37
 HUB, CLUTCH.....15

K

KICK GUARD KIT.....9
 KNOB, AIR CLEANER LID.....5

L

LABEL - KICK BACK.....33
 LABEL - CAUTION -- HOT.....33
 LABEL - ECHO.....33
 LABEL - MODEL -- CS-360T.....33
 LABEL - STOP.....33
 LABEL, BAR & CHAIN.....33
 LABEL, CAUTION.....33
 LABEL, WARNING.....33
 LEAD, GROUND.....19
 LEAD, IGNITION.....19, 27
 LEVER, BRAKE - BLACK.....13
 LEVER, BRAKE - ORANGE.....11
 LEVER, CHOKE.....19
 LEVER, FAST IDLE.....7
 LEVER, METERING.....7
 LEVER, THROTTLE.....7
 LID, AIR CLEANER.....5
 LOCKING ROD.....37
 LOCKOUT, THROTTLE.....19

M

MOUNT, AIR FILTER.....5
 MUFFLER.....17

N

NEEDLE, ADJUSTMENT.....7
 NUT.....17, 19

O

OIL SEAL.....29, 31
 OPEN END WRENCH.....37
 O-RING.....25

P

PAWL.....21, 23
 PIN, METERING LEVER.....7
 PIN, PISTON.....29, 31
 PIPE.....19
 PIPE, FUEL.....25
 PIPE, IMPULSE - 3X5X185mm.....25
 PIPE, OIL - 3X6X90mm.....25
 PISTON KIT.....29, 31
 PLATE, CLUTCH.....15
 PLATE, SPROCKET GUARD.....11, 13
 PLUG.....29, 31
 PLUG, WELCH.....7

R

REAR HANDLE SET.....19
 REPAIR KIT.....7
 REPOWER TUNE-UP KIT.....35
 REWIND SPRING KIT.....21, 23
 RING, HARNESS.....19
 RING, PISTON.....29, 31
 ROD, CHOKE.....19
 ROD, THROTTLE.....19
 ROLLER.....11, 13
 ROPE, STARTER - 3X920mm.....21, 23

S

SAWING CHAIN - 16" -- XtraGUARD.....9
 SCREEN.....17
 SCREEN, INLET.....7
 SCREW.....19, 21, 23
 SCREW 4X10.....11, 13
 SCREW 4X12.....17, 25
 SCREW 4X12 - TAPPING.....11, 13, 19
 SCREW 4X16.....19
 SCREW 4X16 - TAPPING.....17
 SCREW 4X25.....19
 SCREW 4X35 - TAPPING.....19
 SCREW 5X12.....19
 SCREW 5X14.....21, 23
 SCREW 5X20.....29, 31
 SCREW 5X20 - TAPPING.....11, 13, 19
 SCREW 5X22.....27
 SCREW 5X25.....29, 31
 SCREW 5X30.....29, 31
 SCREW 5X32.....11, 13
 SCREW 5X50.....5
 SCREW, CHOKE VALVE.....7
 SCREW, DIAPHRAGM COVER.....7
 SCREW, IDLE ADJUST.....7
 SCREW, METERING LEVER PIN.....7
 SCREW, PUMP COVER.....7
 SCREW, THROTTLE LEVER.....7
 SCREW, THROTTLE VALVE.....7
 SCREWDRIVER.....37
 SHAFT, CHOKE.....7
 SHAFT, THROTTLE.....7
 SHORT BLOCK.....29, 31



Part Description Index (continued)

SOCKET WRENCH.....37
SOCKET WRENCH/SCREWDRIVER.....37
SPACER.....11, 13, 17, 21, 23, 27
SPACER 8X12X9.....11, 13
SPACER, PISTON PIN.....29, 31
SPARK PLUG -- BPM-8Y.....27
SPARK PLUG -- BPMR-8Y.....27
SPRING.....11, 13
SPRING, CHOKE RETURN.....7
SPRING, CLUTCH.....15
SPRING, IDLE ADJUST.....7
SPRING, METERING LEVER.....7
SPRING, RETURN.....21, 23
SPRING, THROTTLE RETURN.....7
SPRING, THROTTLE TRIGGER.....19
STARTER ASY - GRAY.....21
STARTER ASY - ORANGE.....23
STUD, GUIDE BAR.....29, 31

T

TENSIONER, CHAIN.....11, 13
TERMINAL, LEAD.....19
TERMINAL, SPARK PLUG CAP.....27
TORX KEY.....37
TRIGGER, THROTTLE.....19
TUBE, INSULATOR.....27

V

VALVE, CHECK.....25
VALVE, CHOKE.....7
VALVE, INLET NEEDLE.....7
VALVE, THROTTLE.....7
VENT ASY.....25

W

WASHER.....7, 15, 17, 21, 23
WOODRUFF KEY.....27

NOTES



ECHO, INCORPORATED

400 Oakwood Road
Lake Zurich, IL 60047 USA

WWW.ECHO-USA.COM
