



---

## OPTIONAL ATTACHMENTS & ACCESSORIES

### Accessories

103942147	CS Carry Bag
99988800207	CS Removable Nose Case

### Guide Bars

14A0CD3752	Guide Bar - 14" (.050" Ga)
16A0CD3757	Guide Bar - 16" (.050" Ga)
16A0ZD3757	Guide Bar - 16" (.050" Ga) -- Intenz
18A0CD3762	Guide Bar - 18" (.050" Ga)

### Sawing Chains

91P52G	Sawing Chain - 14" (.050" Ga) -- Low Profile
91P57G	Sawing Chain - 16" (.050" Ga) -- Low Profile
91P62G	Sawing Chain - 18" (.050" Ga) -- Low Profile

# PARTS CATALOG

## CS-370 Chain Saw

**36.3cc**

---

### SERIAL NUMBERS

---

S/N: 10001001 - 10999999

---

**ECHO, INCORPORATED**

400 Oakwood Road Lake Zurich, Illinois 60047 USA

WWW.ECHO-USA.COM



# Table of Contents

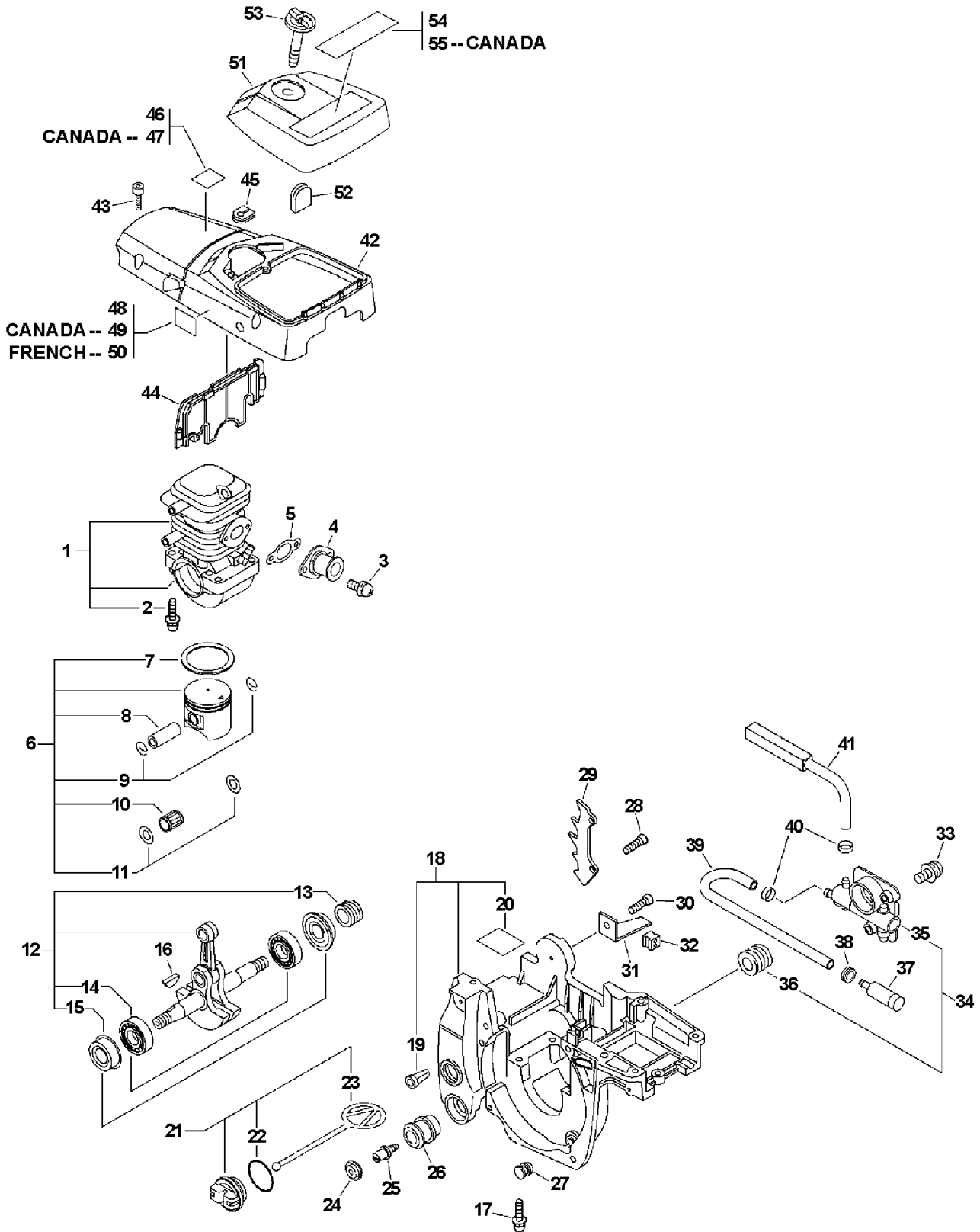
---

Click Any Diagram Description Below To View That Diagram.

## **CS-370 S/N: 10001001 - 10999999**

Engine, Engine Cover, Auto-Oiler.....	4
Intake S/N: 10001001 - 10002200.....	8
Intake S/N: 10002001 - 10999999.....	10
Carburetor -- WT-794 S/N: 10001001 - 10002200.....	12
Carburetor -- WT-829 S/N: 10002001 - 10999999.....	14
Exhaust.....	16
Starter, Ignition.....	18
Handles, Throttle Control S/N: 10001001 - 10002200.....	20
Handles, Throttle Control S/N: 10002001 - 10999999.....	22
Chain Brake, Guide Bar, Sawing Chain S/N: 10001001 - 10002200.....	24
Chain Brake, Guide Bar, Sawing Chain S/N: 10002001 - 10999999.....	26
Clutch.....	28
Tools.....	30
Part Number Index.....	32
Part Description Index.....	33

***This Page Intentionally Left Blank***



CS003300000

ITEM	PART NUMBER	QTY	DESCRIPTION	REMARKS
	SB1088	1	SHORT BLOCK	INCLUDES ITEM 2-13
<b>1</b>	-----	1	CRANKCASE SET <sup>1</sup>	INCLUDES ITEM 2
<b>2</b>	V203000170	4	BOLT 5X22	
<b>3</b>	90023805014	2	SCREW 5X14	
<b>4</b>	A202000060	1	ADAPTOR, INTAKE	
<b>5</b>	V103000290	1	GASKET, INTAKE	
<b>6</b>	P021009830	1	PISTON KIT	INCLUDES ITEMS 7-11
<b>7</b>	A101000110	1	RING, PISTON	
<b>8</b>	10001327430	1	PIN, PISTON	
<b>9</b>	10001503931	2	CIRCLIP, PISTON PIN	
<b>10</b>	10001216131	1	BEARING, NEEDLE	
<b>11</b>	10001453630	2	SPACER, PISTON PIN	
<b>12</b>	-----	1	CRANKSHAFT ASY <sup>1</sup>	INCLUDES ITEMS 13-15
<b>13</b>	V652000010	1	GEAR, WORM <sup>2</sup>	
<b>14</b>	9403536201	2	BEARING, BALL - 6201	
<b>15</b>	V505000010	2	OIL SEAL	
<b>16</b>	10014212330	1	WOODRUFF KEY	
<b>17</b>	90016205030	4	SCREW 5X30	
<b>18</b>	P021009851	1	ENGINE COVER ASY	INCLUDES ITEMS 19-20
<b>19</b>	43611413930	1	VALVE, CHECK	
<b>20</b>	V341000050	1	DEFLECTOR, HEAT	
<b>21</b>	P021007630	1	CAP ASY	INCLUDES ITEMS 22-23
<b>22</b>	90072100025	1	O-RING	
<b>23</b>	A365000050	1	CONNECTOR, CAP	
<b>24</b>	10091815130	2	CAP, CUSHION	
<b>25</b>	10091533930	2	SCREW	
<b>26</b>	10091060030	2	CUSHION	
<b>27</b>	V420001250	2	CUSHION	
<b>28</b>	9114505020	2	SCREW 5X20	
<b>29</b>	C304000010	1	BUMPER, SPIKED	
<b>30</b>	9114505016	1	SCREW 5X16	
<b>31</b>	C310000000	1	CATCHER, CHAIN	
<b>32</b>	15011404920	1	BUSHING	
<b>33</b>	90023804012	2	SCREW 4X12	
<b>35</b>	A202000060	1	BELLOWS, INTAKE	
<b>34</b>	P021001980	1	AUTO-OILER ASY	
<b>35</b>	C022000000	1	AUTO-OILER	
<b>36</b>	90023805014	2	SCREW 5X14	
<b>37</b>	V103000290	1	GASKET, INTAKE	
<b>36</b>	V652000010	1	GEAR, WORM <sup>3</sup>	
<b>37</b>	43620514730	1	FILTER, OIL	
<b>38</b>	13211512330	1	GROMMET	
<b>39</b>	43721035430	1	PIPE, OIL	
<b>40</b>	13201326630	2	CLIP	
<b>41</b>	43721039931	1	PIPE, OIL OUTLET	
<b>42</b>	A160000761	1	COVER, ENGINE	
<b>43</b>	90023805020	3	SCREW 5X20	
<b>44</b>	A209000000	1	PLATE, INSULATOR	
<b>45</b>	V135000010	1	GROMMET	
<b>46</b>	X524001640	1	LABEL, BAR & CHAIN	
<b>47</b>	X524001720	1	LABEL, BAR & CHAIN <sup>4</sup>	
<b>48</b>	89019130131	1	LABEL - KICK BACK	
<b>49</b>	X505000450	1	LABEL, KICK BACK <sup>4</sup>	
<b>50</b>	X505000460	1	LABEL - KICK BACK (FRENCH)	
<b>51</b>	P021007151	1	LID, AIR CLEANER	INCLUDES ITEM 52

**CS-370 Chain Saw****Engine, Engine Cover, Auto-Oiler**

---

ITEM	PART NUMBER	QTY	DESCRIPTION	REMARKS
52	13033832430	1	PLUG, COVER	
53	A235000020	1	KNOB, AIR CLEANER LID	
54	X503007040	1	LABEL - MODEL -- CS-370	
55	X503007160	1	LABEL - MODEL -- CS-370 <sup>4</sup>	

---

**Footnotes**

---

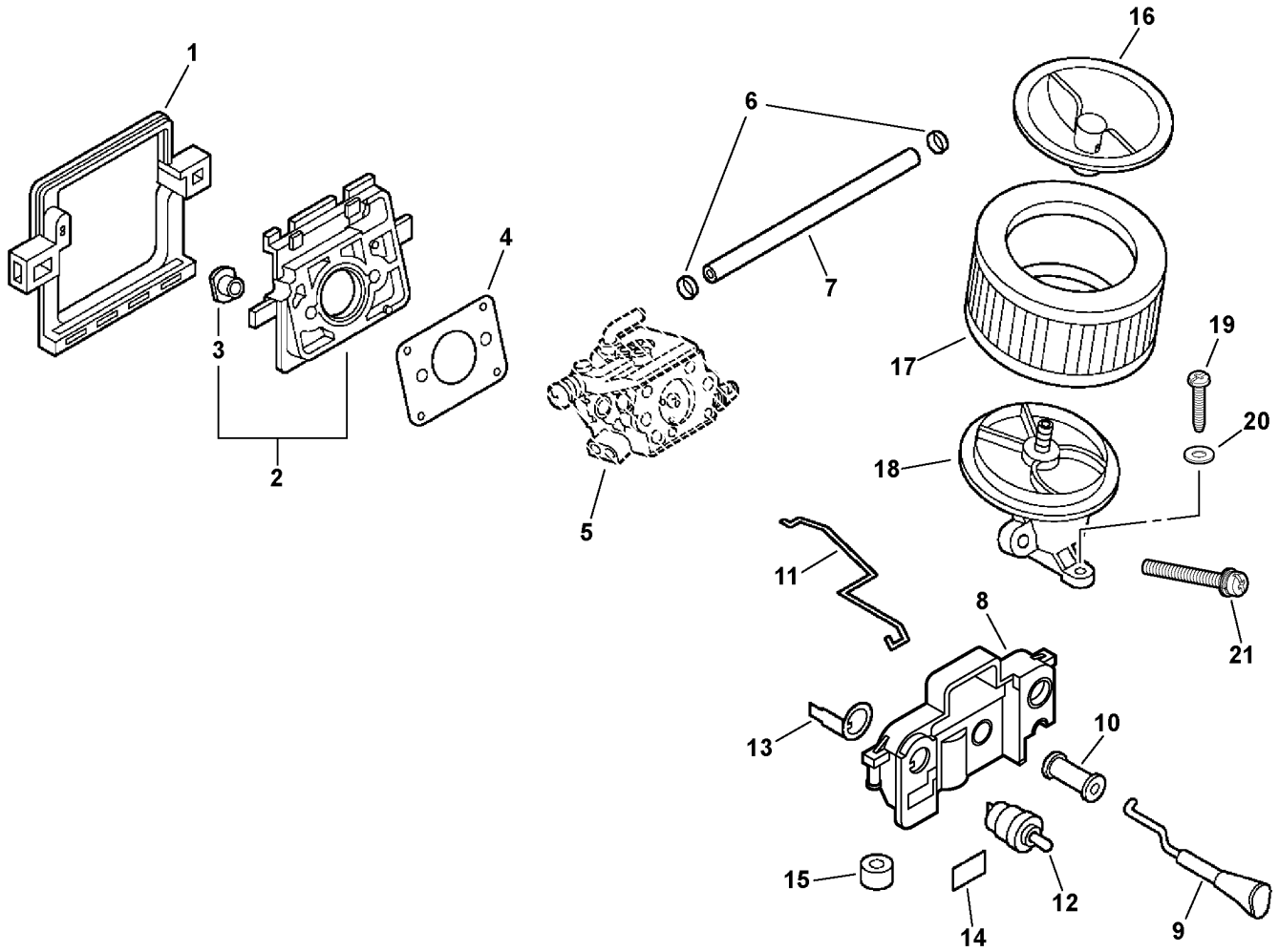
1: INCLUDED IN SHORT BLOCK

2: ALSO INCLUDED IN P021001980 - AUTO-OILER ASY

3: ALSO INCLUDED IN P021009840 - CRANKSHAFT ASY

4: CANADA MODELS

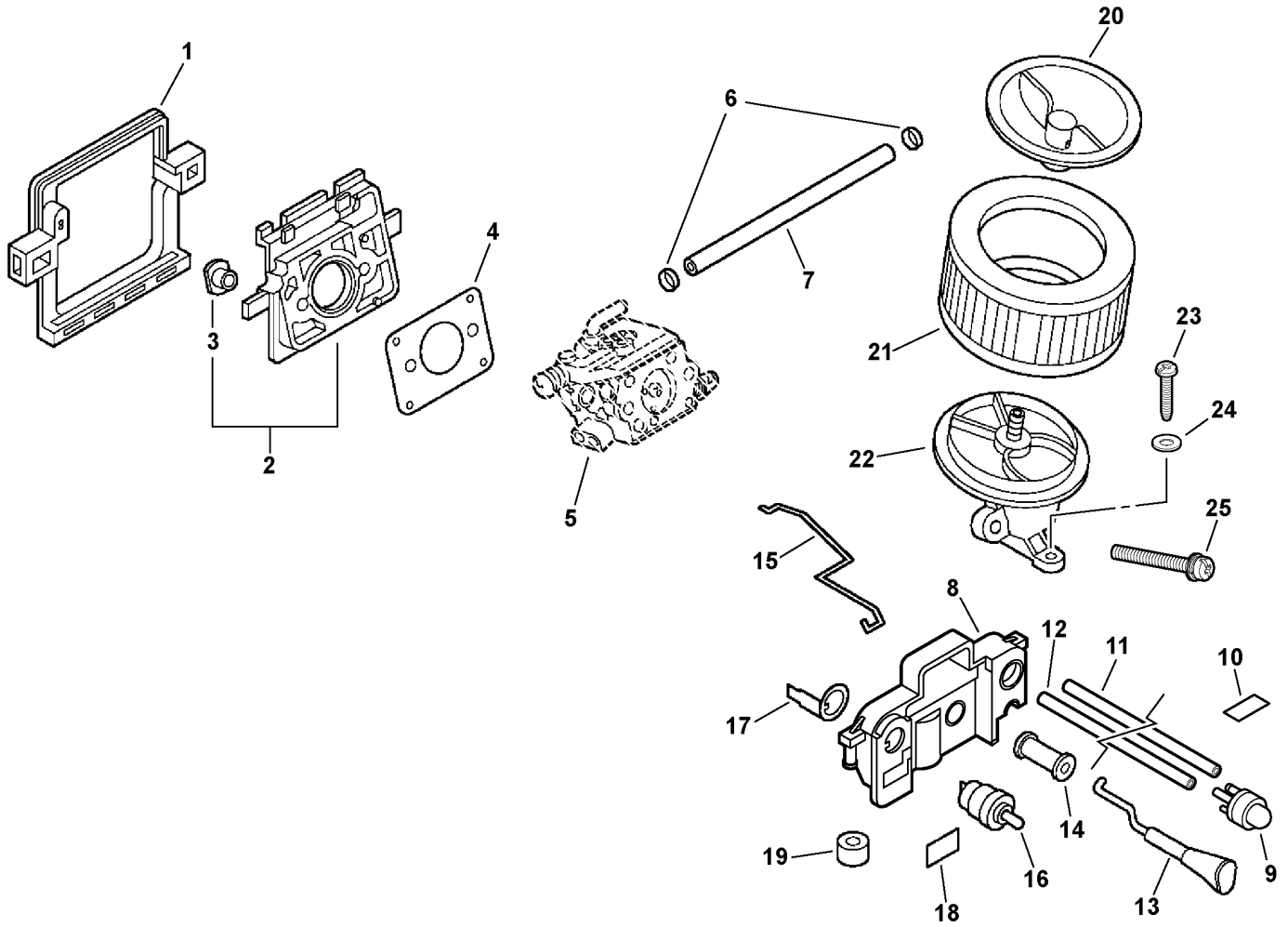
***This Page Intentionally Left Blank***



010 0004 000

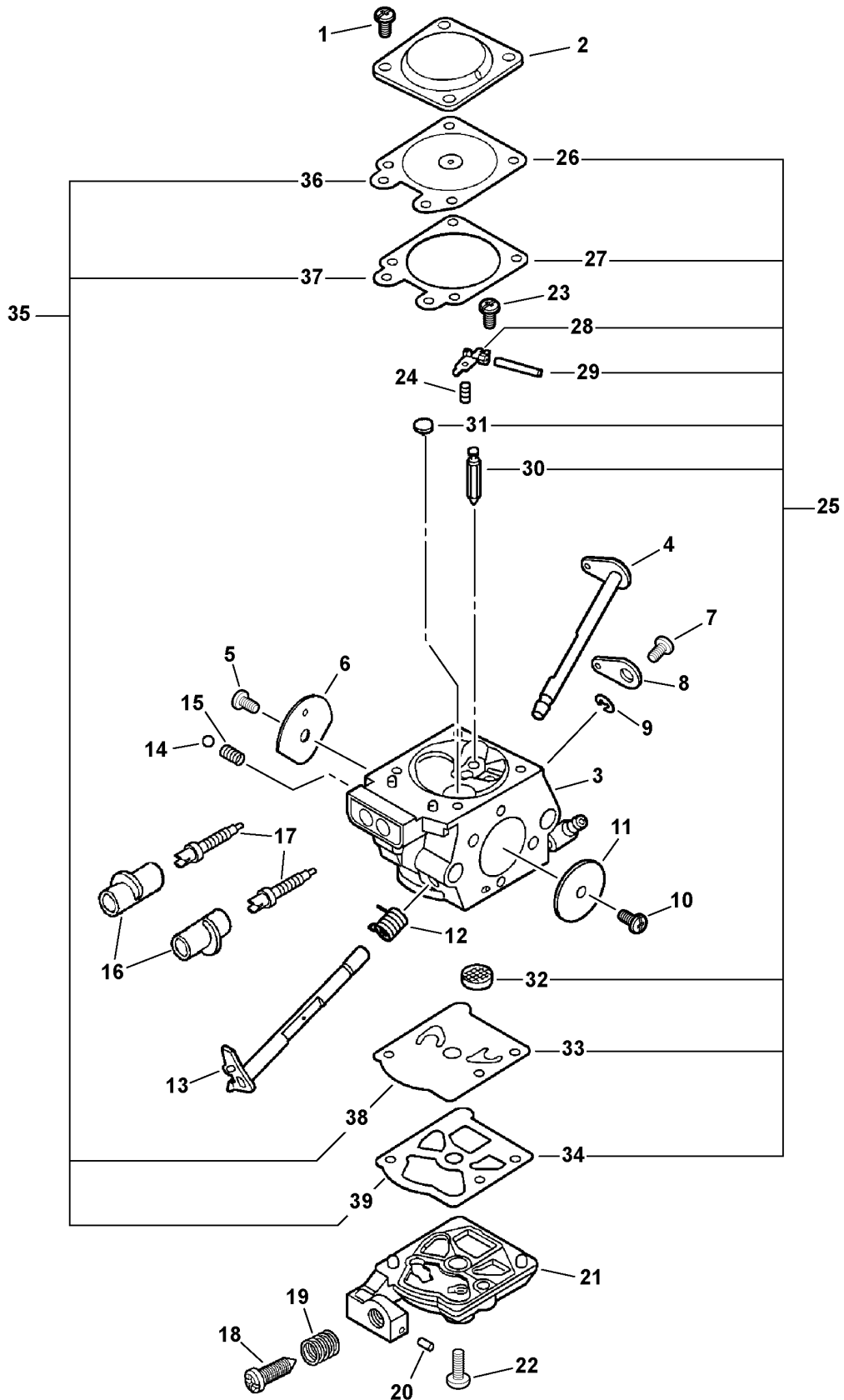


ITEM	PART NUMBER	QTY	DESCRIPTION	REMARKS
1	13036639930	1	CUSHION	
2	13000739930	1	INSULATOR ASY	INCLUDES ITEM 3
3	13002033330	2	NUT	
4	V103000280	1	GASKET, INTAKE	
5	-----	1	CARBURETOR	
6	13201309820	2	CLIP	
7	V471001600	1	PIPE	
8	16381059535	1	BRACKET, SWITCH	
9	A241000100	1	ROD, CHOKE	
10	17881014534	1	GROMMET	
11	C454000100	1	ROD, THROTTLE	
12	16340038330	1	SWITCH, IGNITION	
13	V486000020	1	TERMINAL, LEAD - GROUND	
14	89015737330	1	LABEL - STOP	
15	35113439930	2	CUSHION	
16	13040538331	1	CAP, AIR CLEANER	
17	13030039730	1	AIR CLEANER ASY	
18	13030139933	1	ADAPTER, INTAKE	
19	90025305020	1	SCREW 5X20	
20	90060000005	1	WASHER	
21	90023805045	2	SCREW 5X45	



010 0005 000

ITEM	PART NUMBER	QTY	DESCRIPTION	REMARKS
1	13036639930	1	CUSHION	
2	13000739930	1	INSULATOR ASY	INCLUDES ITEM 3
3	13002033330	2	NUT	
4	V103000280	1	GASKET, INTAKE	
5	-----	1	CARBURETOR	
6	13201309820	2	CLIP	
7	V471001600	1	PIPE	
8	A439000144	1	BRACKET, SWITCH	
9	12318139130	1	PUMP, PRIMER	
10	89016739230	1	LABEL, PRIMER	
11	V471001470	1	PIPE, PRIMER - 3X5X200	REPOWER BULK OPTION: 90014
12	V471001280	1	PIPE, RETURN - 3X5X105	REPOWER BULK OPTION: 90014
13	A241000100	1	ROD, CHOKE	
14	17881014534	1	GROMMET	
15	C454000100	1	ROD, THROTTLE	
16	16340038330	1	SWITCH, IGNITION	
17	V486000020	1	TERMINAL, LEAD - GROUND	
18	89015737330	1	LABEL - STOP	
19	35113439930	2	CUSHION	
20	13040538331	1	CAP, AIR CLEANER	
21	13030039730	1	AIR CLEANER ASY	
22	13030139933	1	ADAPTER, INTAKE	
23	90025305020	1	SCREW 5X20	
24	90060000005	1	WASHER	
25	90023805045	2	SCREW 5X45	

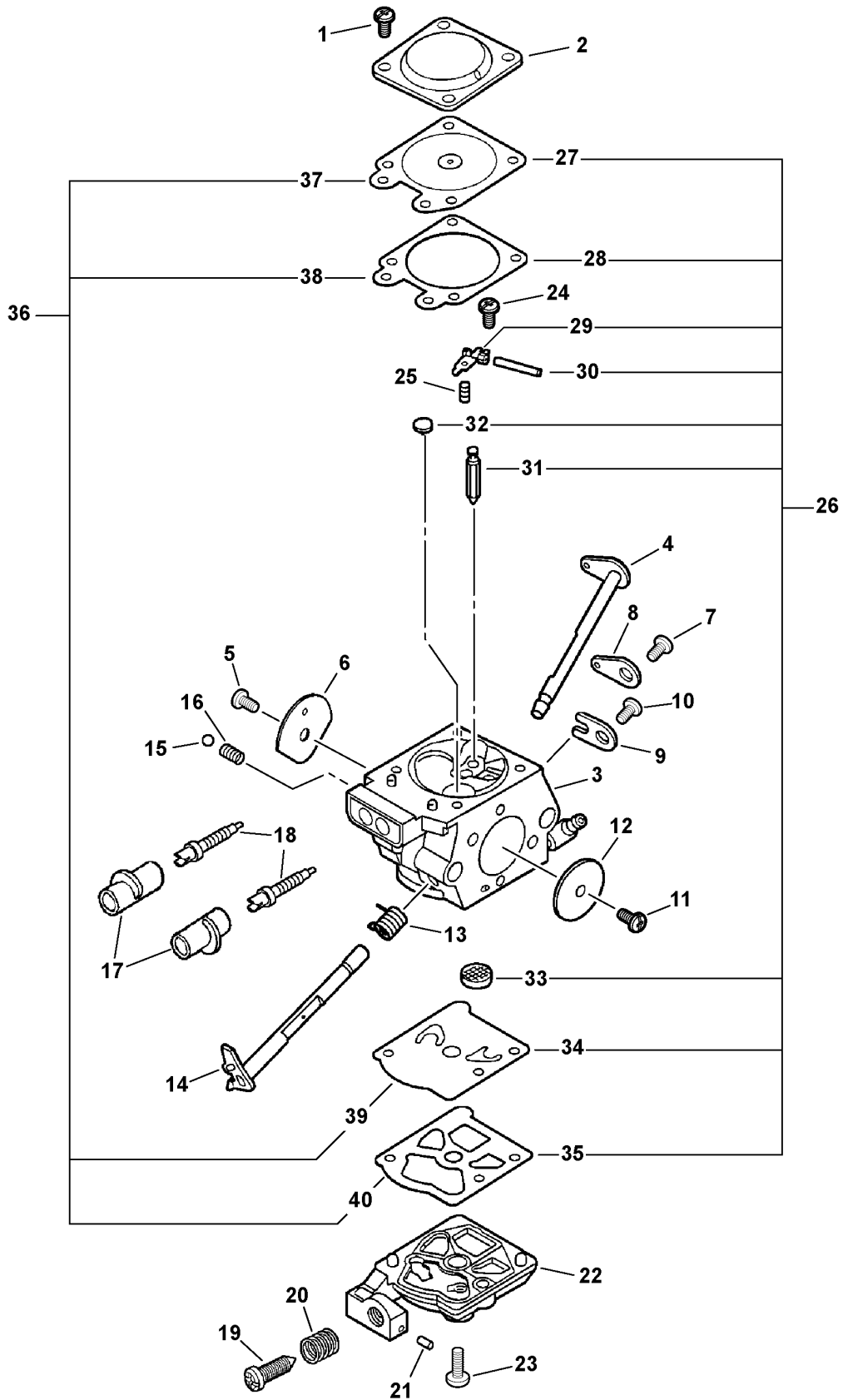


WT794 0000 000

ITEM	PART NUMBER	QTY	DESCRIPTION	REMARKS
	A021001220	1	CARBURETOR -- WT-794	
1	12313002960	4	SCREW, METERING DIAPHRAGM COVER	
2	12314203930	1	COVER, METERING DIAPHRAGM	
3	-----		BODY, CARBURETOR <sup>1</sup>	
4	12313135430	1	SHAFT, CHOKE	
5	12311403930	1	SCREW, CHOKE VALVE	
6	12313237330	1	VALVE, CHOKE	
7	12311403930	1	SCREW, THROTTLE LEVER	
8	12315038330	1	LEVER, THROTTLE	
9	12312715030	1	CIRCLIP	
10	12311403930	1	SCREW, THROTTLE VALVE	
11	12311610530	1	VALVE, THROTTLE	
12	12311337530	1	SPRING, THROTTLE RETURN	
13	12311739330	1	SHAFT, THROTTLE	
14	12313510630	1	SPRING, CHOKE FRICTION	
15	12313610630	1	BALL, CHOKE FRICTION	
16	P003000010	2	CAP, MIXTURE LIMITER	
17	12311802261	2	NEEDLE, MIXTURE ADJUSTMENT	
18	12313404260	1	SCREW, IDLE ADJUST	
19	12313304260	1	SPRING, IDLE ADJUST	
20	12317815030	1	PLUG, FRICTION	
21	12312438330	1	COVER, FUEL PUMP	
22	12311003930	1	SCREW, PUMP COVER	
23	12313903930	1	SCREW, METERING LEVER PIN	
24	12312239330	1	SPRING, METERING LEVER	
25	12310004930	1	REPAIR KIT	INCLUDES ITEM 26-34
26	-----	1	DIAPHRAGM, METERING	
27	-----	1	GASKET, METERING DIAPHRAGM	
28	-----	1	LEVER, METERING	
29	-----	1	PIN, METERING LEVER	
30	-----	1	VALVE, INLET NEEDLE	
31	-----	1	PLUG, WELCH	
32	-----	1	SCREEN, INLET	
33	-----	1	DIAPHRAGM, FUEL PUMP	
34	-----	1	GASKET, FUEL PUMP	
35	12310103930	1	DIAPHRAGM/GASKET KIT	INCLUDES ITEM 36-39
36	-----	1	DIAPHRAGM, METERING	
37	-----	1	GASKET, METERING DIAPHRAGM	
38	-----	1	DIAPHRAGM, FUEL PUMP	
39	-----	1	GASKET, FUEL PUMP	

**Footnotes**

1: NOT AVAILABLE SEPARATELY

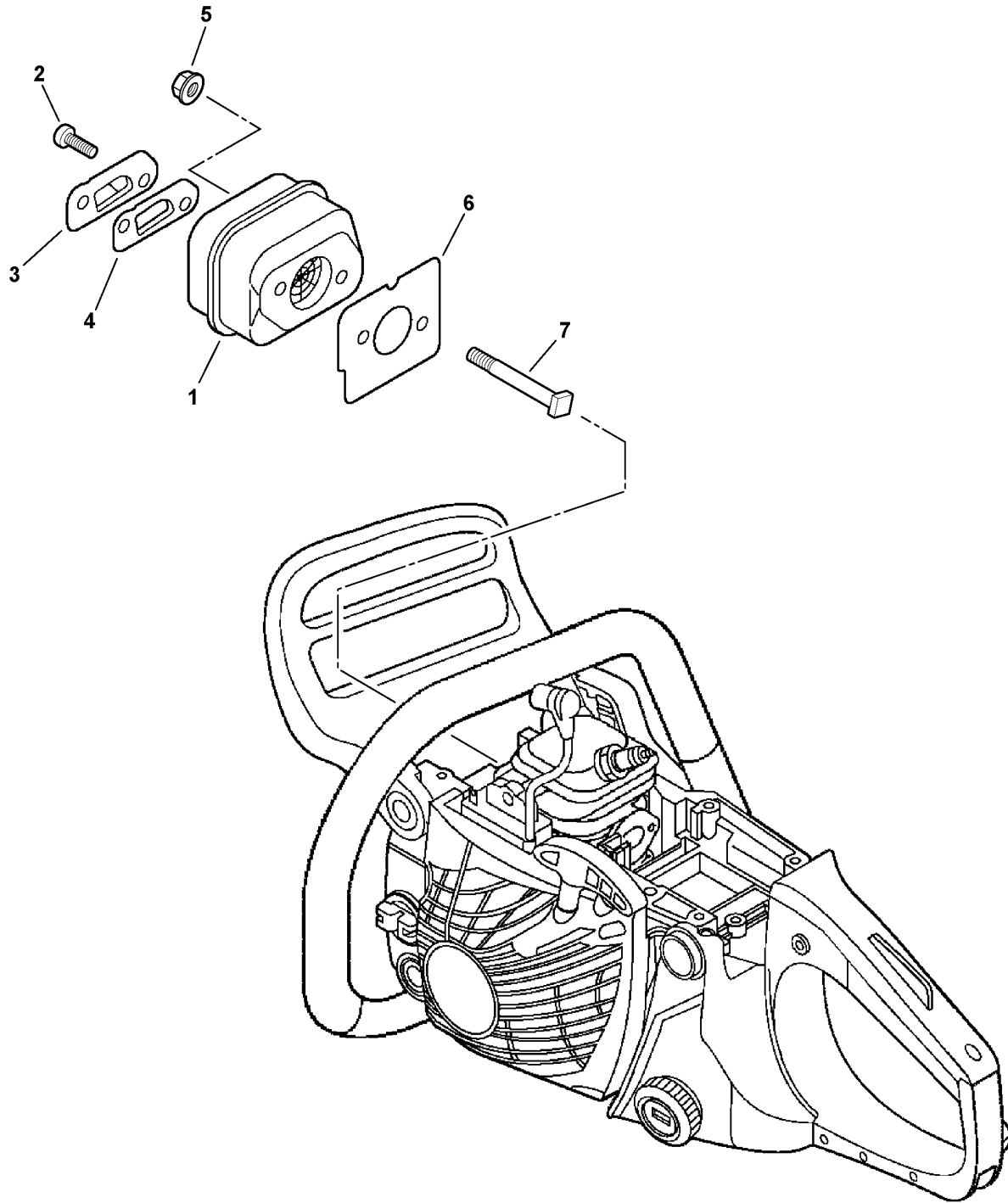


WT829 0000 000

ITEM	PART NUMBER	QTY	DESCRIPTION	REMARKS
	A021001330	1	CARBURETOR -- WT-829	
1	12313002960	4	SCREW, METERING DIAPHRAGM COVER	
2	12314203930	1	COVER, METERING DIAPHRAGM	
3	-----		BODY, CARBURETOR <sup>1</sup>	
4	12313135430	1	SHAFT, CHOKE	
5	12311403930	1	SCREW, CHOKE VALVE	
6	12313237330	1	VALVE, CHOKE	
7	12311403930	1	SCREW, THROTTLE LEVER	
8	P003001520	1	LEVER, THROTTLE	
9	12312703930	1	CLIP, THROTTLE SHAFT	
10	12313002960	4	SCREW, CLIP	
11	12311403930	1	SCREW, THROTTLE VALVE	
12	12311610530	1	VALVE, THROTTLE	
13	12311337530	1	SPRING, THROTTLE RETURN	
14	P003001800	1	SHAFT, THROTTLE	
15	12313510630	1	SPRING, CHOKE FRICTION	
16	12313610630	1	BALL, CHOKE FRICTION	
17	P003000010	2	CAP, MIXTURE LIMITER	
18	12311802261	2	NEEDLE, MIXTURE ADJUSTMENT	
19	12313404260	1	SCREW, IDLE ADJUST	
20	12313304260	1	SPRING, IDLE ADJUST	
21	12317815030	1	PLUG, FRICTION	
22	12312438330	1	COVER, FUEL PUMP	
23	12311003930	1	SCREW, PUMP COVER	
24	12313903930	1	SCREW, METERING LEVER PIN	
25	12312239330	1	SPRING, METERING LEVER	
26	12310037330	1	REPAIR KIT	INCLUDES ITEM 27-35
27	-----	1	DIAPHRAGM, METERING	
28	-----	1	GASKET, METERING DIAPHRAGM	
29	-----	1	LEVER, METERING	
30	-----	1	PIN, METERING LEVER	
31	-----	1	VALVE, INLET NEEDLE	
32	-----	1	PLUG, WELCH	
33	-----	1	SCREEN, INLET	
34	-----	1	DIAPHRAGM, FUEL PUMP	
35	-----	1	GASKET, FUEL PUMP	
36	12310110530	1	DIAPHRAGM/GASKET KIT	INCLUDES ITEM 37-40
37	-----	1	DIAPHRAGM, METERING	
38	-----	1	GASKET, METERING DIAPHRAGM	
39	-----	1	DIAPHRAGM, FUEL PUMP	
40	-----	1	GASKET, FUEL PUMP	

**Footnotes**

1: NOT AVAILABLE SEPARATELY



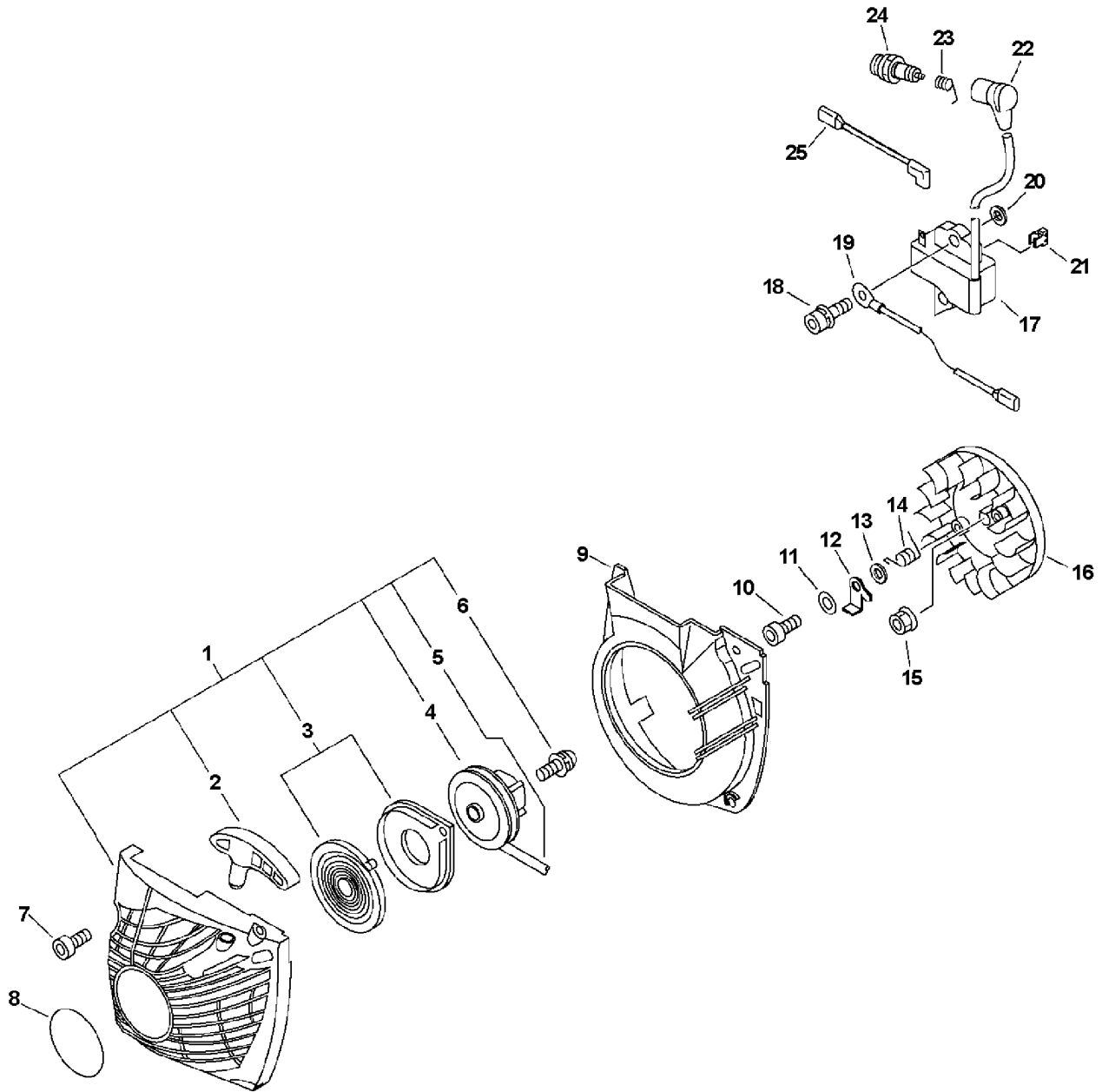
011 0004 000



**CS-370 Chain Saw**

**Exhaust**

ITEM	PART NUMBER	QTY	DESCRIPTION	REMARKS
1	A300000620	1	MUFFLER	
2	90022004008	2	SCREW 4X8	
3	A313000760	1	GUIDE, EXHAUST	
4	A310000060	1	SCREEN	
5	90051600005	2	FLANGE NUT 5	
6	V104000730	1	GASKET, EXHAUST	
7	V203000120	2	BOLT	



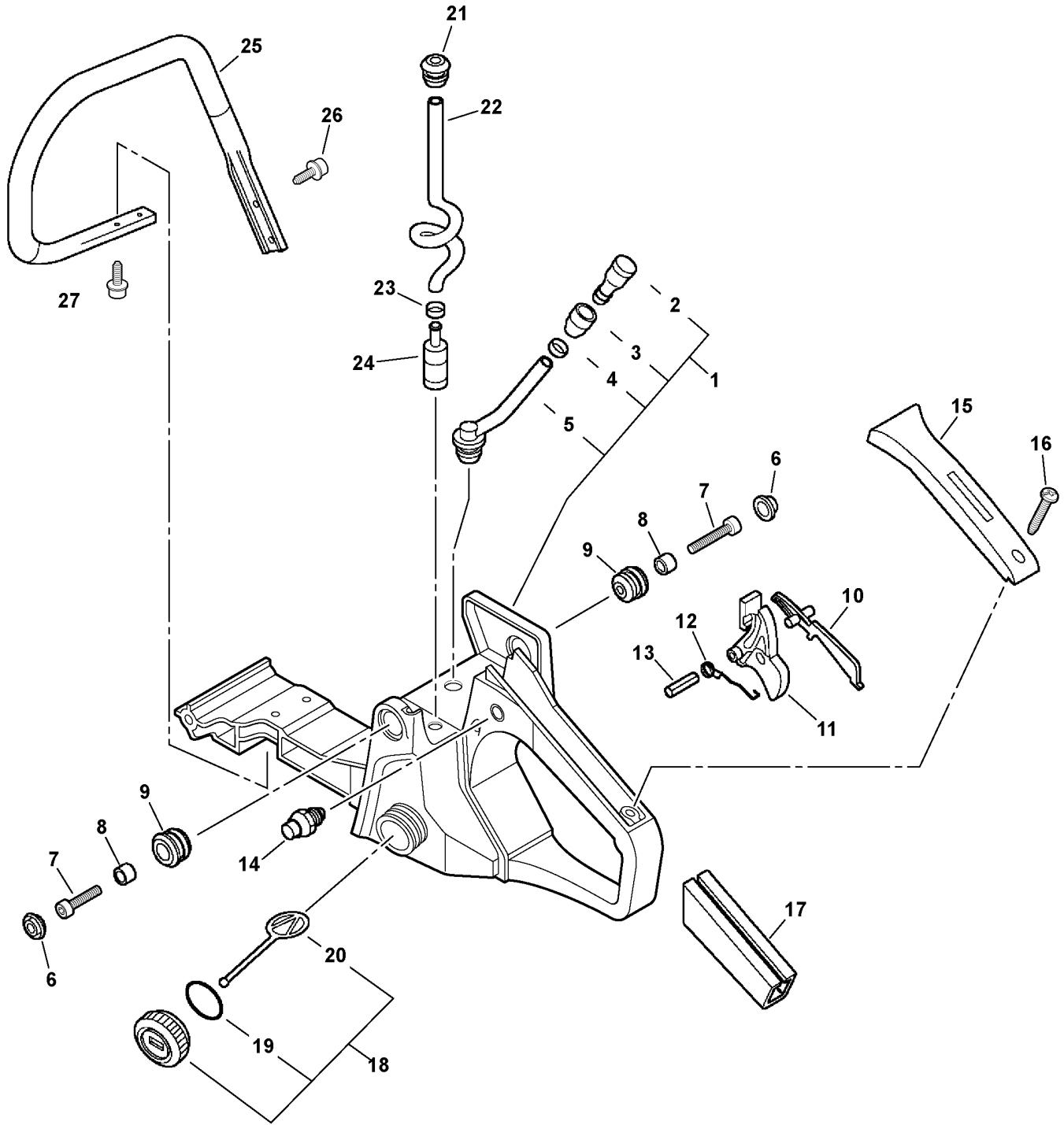
CS003500000

ITEM	PART NUMBER	QTY	DESCRIPTION	REMARKS
1	A051000980	1	STARTER ASY	INCLUDES ITEMS 2-6
2	P022005890	1	GRIP, STARTER	
3	P022010440	1	REWIND SPRING KIT	
4	A506000030	1	REEL, ROPE	
5	P022008440	1	ROPE, STARTER - 3.5X900mm <sup>1</sup>	REPOWER BULK OPTION: 99944445000
6	17723661830	1	SCREW	
7	9114505020	4	SCREW 5X20	
8	89011849330	1	LABEL - ECHO	
9	A172000570	1	COVER, FAN	
10	V203000090	2	SCREW 5X14	
11	90060300005	2	WASHER 5	
12	A514000050	2	PAWL	
13	17724704630	2	SPACER	
14	17723435430	2	SPRING, RETURN	
15	90051500008	1	FLANGE NUT	
16	A409000270	1	FLYWHEEL	
17	A411000260	1	COIL, IGNITION	
18	90016205020	2	SCREW 5X20	
19	V485000620	1	LEAD, GROUND	
20	15011716430	2	SPACER	
21	V490000310	1	CLIP	
22	A427000013	1	CAP, SPARK PLUG	
23	A426000010	1	TERMINAL, SPARK PLUG CAP	
24	15901019830	1	SPARK PLUG -- BPM-8Y	
24	A425000000	1	SPARK PLUG -- BPMR-8Y <sup>2</sup>	
25	V485000680	1	LEAD, IGNITION	

**Footnotes**

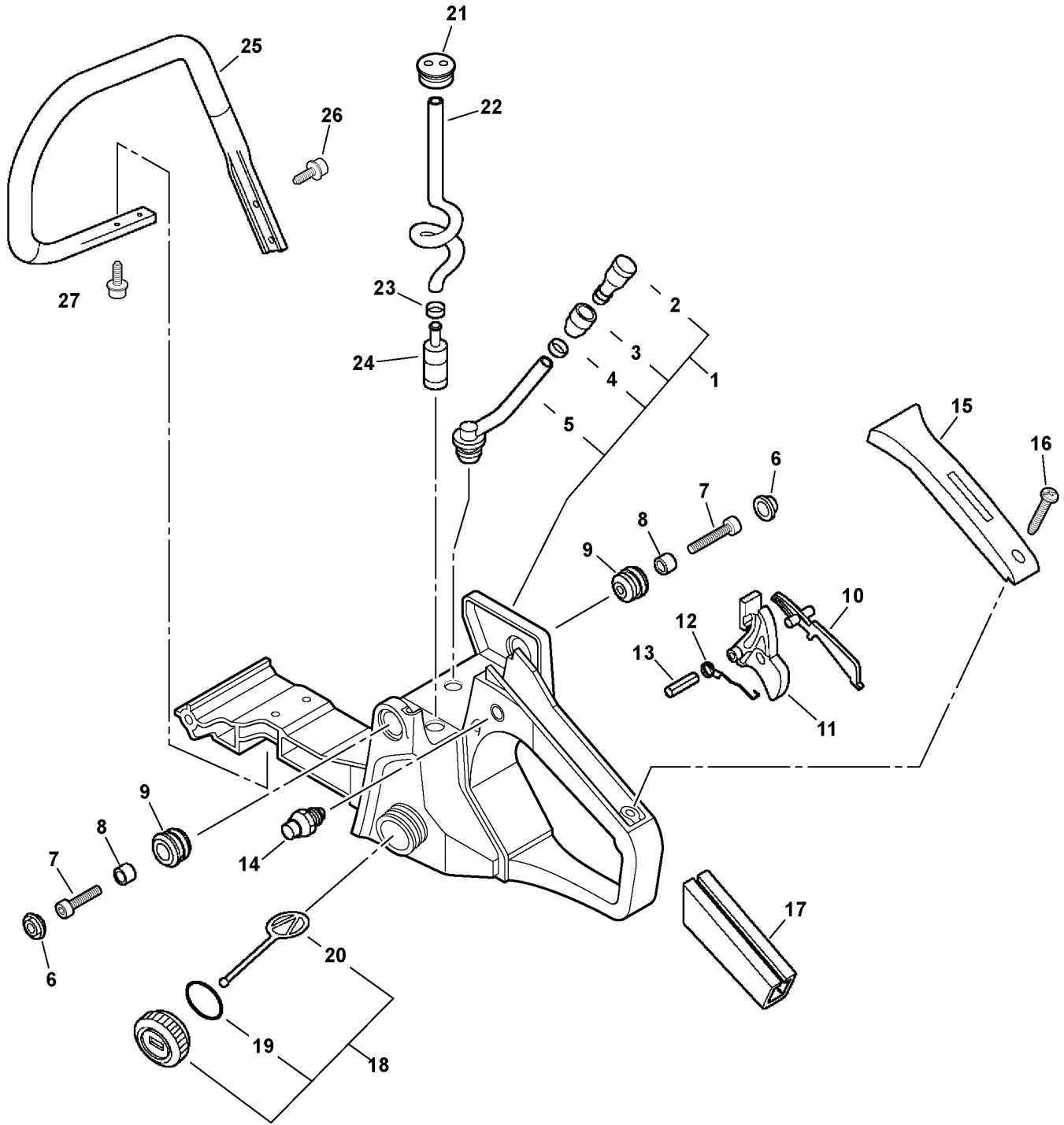
1: BULK OPTION: 99944045000

2: CANADA MODELS



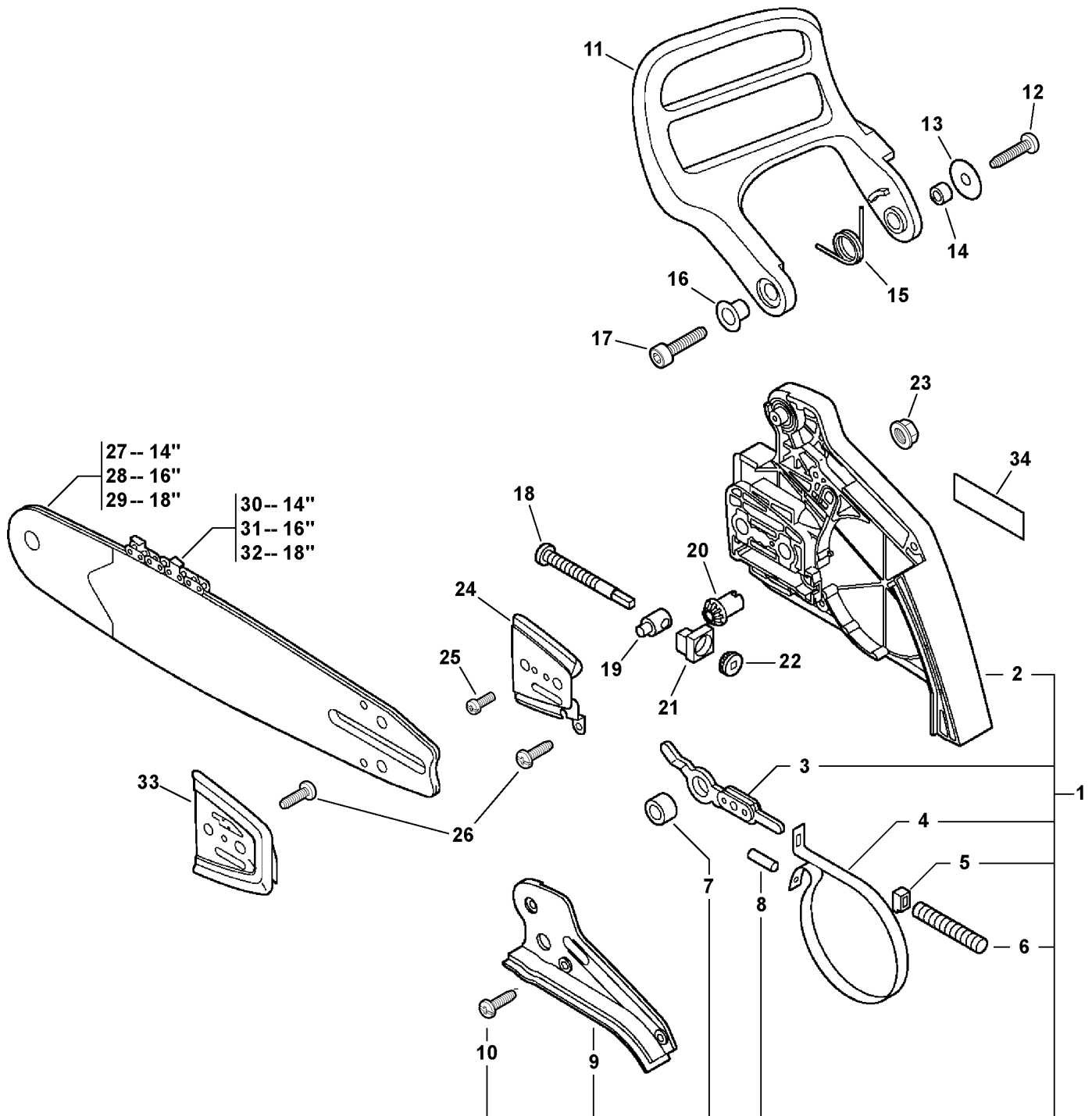
012 0002 000

ITEM	PART NUMBER	QTY	DESCRIPTION	REMARKS
1	P021009920	1	REAR HANDLE SET	INCLUDES ITEMS 2-5
2	A356000030	1	VENT ASY	
3	13132840630	1	COVER, VENT	
4	13201326630	1	CLIP	
5	13201239931	1	PIPE, VENT - GROMMET	
6	10091815130	2	CAP	
7	9110004022	2	BOLT	
8	V352000070	2	COLLAR	
9	V400000050	2	CUSHION	
10	C460000070	1	LOCKOUT, THROTTLE	
11	C450000210	1	TRIGGER, THROTTLE	
12	V452000260	1	SPRING, TRIGGER RETURN	
13	90034540030	1	SPRING PIN 4X30	
14	17830237930	1	LATCH, THROTTLE	
15	35115535430	1	COVER, HANDLE	
16	V202000070	1	SCREW 4X16	
17	35111119830	1	GRIP, HANDLE	
18	13100435931	1	CAP ASY	INCLUDES ITEMS 19-20
19	90072000022	1	O-RING 22	
20	A365000050	1	CONNECTOR, CAP	
21	13211504920	1	GROMMET	
22	13200700760	1	FUEL PIPE KIT	
23	13201309820	1	CLIP	
24	13120519830	1	FILTER, FUEL	
25	C400000430	1	HANDLE, FRONT	
26	9114505020	2	SCREW 5X20	
27	9114505016	2	SCREW 5X16	



012 0001 000

ITEM	PART NUMBER	QTY	DESCRIPTION	REMARKS
1	P021010590	1	REAR HANDLE SET	INCLUDES ITEMS 2-5
2	A356000030	1	VENT ASY	
3	13132840630	1	COVER, VENT	
4	13201326630	1	CLIP	
5	13201239931	1	PIPE, VENT - GROMMET	
6	10091815130	2	CAP	
7	9110004022	2	BOLT	
8	V352000070	2	COLLAR	
9	V400000050	2	CUSHION	
10	C460000070	1	LOCKOUT, THROTTLE	
11	C450000210	1	TRIGGER, THROTTLE	
12	V452000260	1	SPRING, TRIGGER RETURN	
13	90034540030	1	SPRING PIN 4X30	
14	17830237930	1	LATCH, THROTTLE	
15	35115535430	1	COVER, HANDLE	
16	V202000070	1	SCREW 4X16	
17	35111119830	1	GRIP, HANDLE	
18	13100435931	1	CAP ASY	INCLUDES ITEMS 19-20
19	90072000022	1	O-RING 22	
20	A365000050	1	CONNECTOR, CAP	
21	13211544330	1	GROMMET	
22	13200700760	1	FUEL PIPE KIT	
23	13201309820	1	CLIP	
24	13120519830	1	FILTER, FUEL	
25	C400000430	1	HANDLE, FRONT	
26	9114505020	2	SCREW 5X20	
27	9114505016	2	SCREW 5X16	



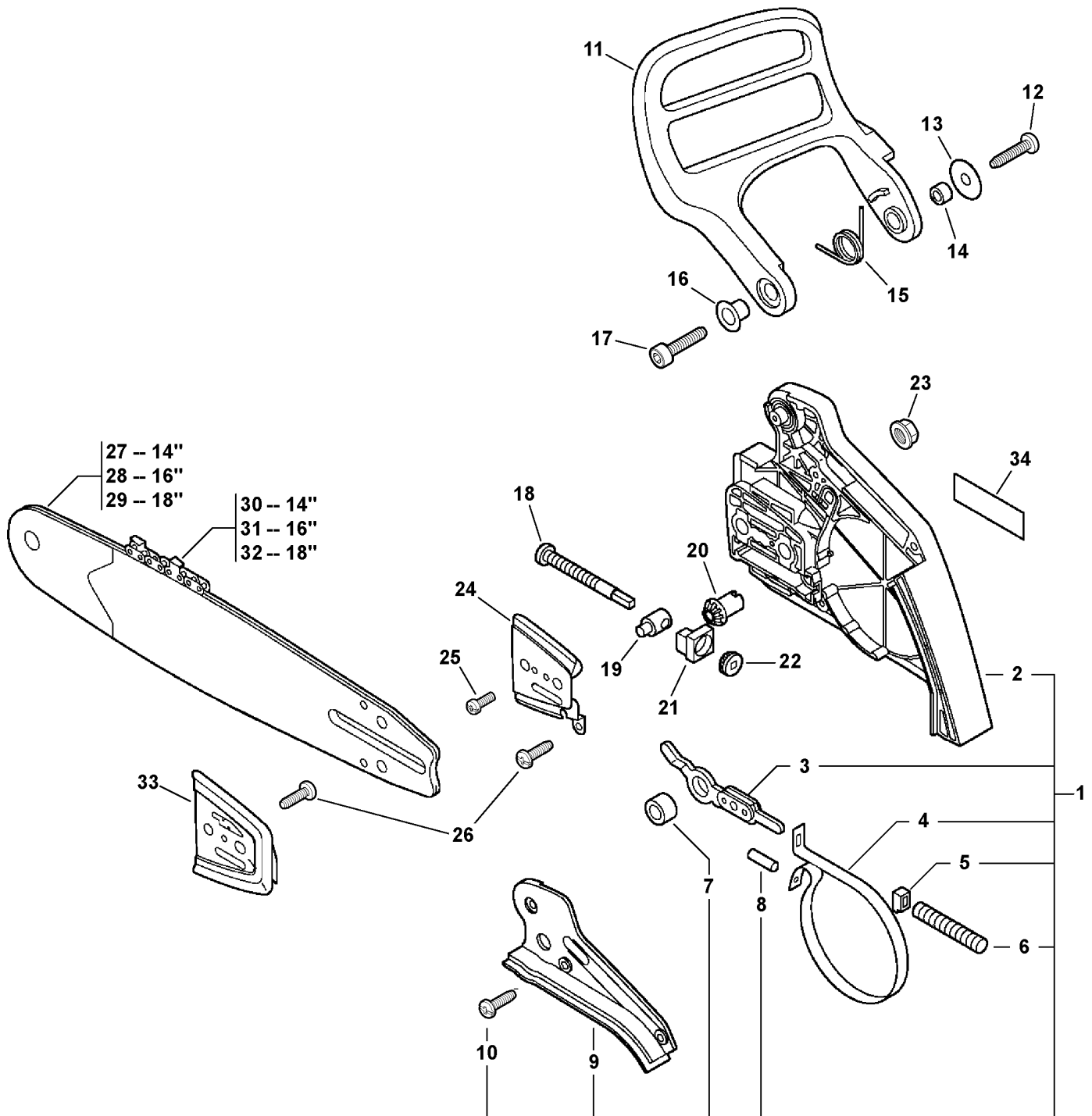
013 0001 000



ITEM	PART NUMBER	QTY	DESCRIPTION	REMARKS
1	C032000280	1	CHAIN BRAKE ASY	INCLUDES ITEMS 2-10
2	C300000310	1	GUARD, SPROCKET	
3	C334000090	1	CONNECTOR, BRAKE	
4	C328000080	1	BAND, BRAKE	
5	V376000450	1	SPACER	
6	V450000070	1	SPRING	
7	43311635430	1	SPACER 8X12X9	
8	9305030098	1	ROLLER	
9	C345000210	1	COVER, BRAKE	
10	V202000060	3	TAPPING SCREW 4X12	
11	C320000110	1	LEVER, BRAKE	
12	90025304016	1	TAPPING SCREW 4X16	
13	17721403930	1	WASHER	
14	43311635430	1	SPACER 8X12X9	
15	V452000250	1	SPRING	
16	V356000300	1	COLLAR	
17	9114505016	1	SCREW 5X16	
18	V203000110	1	BOLT	
19	C309000030	1	TENSIONER, CHAIN	
20	V651000001	1	GEAR, BEVEL	
21	V355000270	1	COLLAR	
22	V651000011	1	GEAR, BEVEL	
23	43301912330	2	FLANGE NUT	
24	C305000011	1	PLATE, SPROCKET GUARD	
25	90022003006	1	SCREW 3X6	
26	90025304008	2	SCREW 4X8	
27	14A0CD3752	1	GUIDE BAR - 14"	GAUGE: .050"
28	16A0CD3757	1	GUIDE BAR - 16"	GAUGE: .050"
29	18A0CD3762		GUIDE BAR - 18"	GAUGE: .050"
30	91VG52G	1	SAWING CHAIN - 14" -- XtraGUARD <sup>1</sup>	GAUGE: .050" / PITCH: .375"
31	91VG57CQ	1	SAWING CHAIN - 16" -- XtraGUARD <sup>1</sup>	GAUGE: .050" / PITCH: .375"
32	91VG62G	1	SAWING CHAIN - 18" -- XtraGUARD <sup>1</sup>	GAUGE: .050" / PITCH: .375"
33	43301239930	1	PLATE, GUIDE	
34	X502000020	1	LABEL, ECHO	

## Footnotes

1: Low Vibration

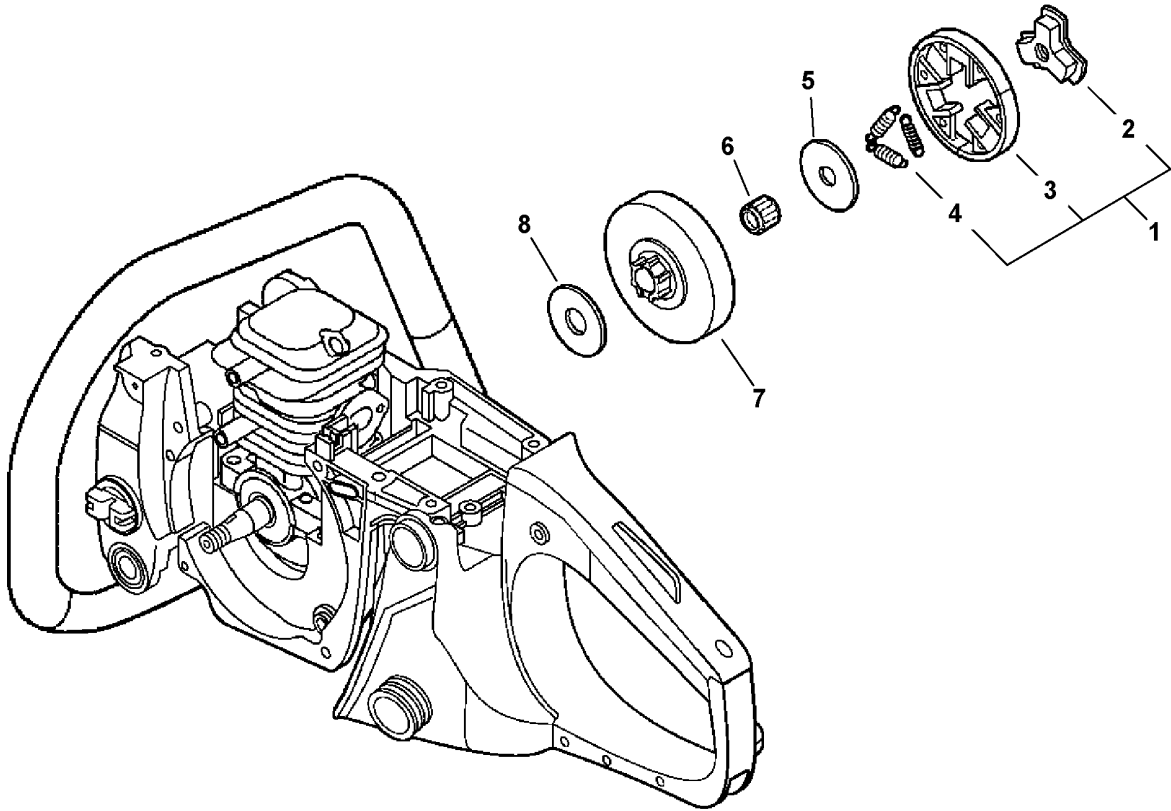


013 0002 000

ITEM	PART NUMBER	QTY	DESCRIPTION	REMARKS
1	C032000280	1	CHAIN BRAKE ASY	INCLUDES ITEMS 2-10
2	C300000310	1	GUARD, SPROCKET	
3	C334000090	1	CONNECTOR, BRAKE	
4	C328000080	1	BAND, BRAKE	
5	V376000450	1	SPACER	
6	V450000070	1	SPRING	
7	43311635430	1	SPACER 8X12X9	
8	9305030098	1	ROLLER	
9	C345000210	1	COVER, BRAKE	
10	V202000060	3	TAPPING SCREW 4X12	
11	C320000110	1	LEVER, BRAKE	
12	90025304016	1	TAPPING SCREW 4X16	
13	17721403930	1	WASHER	
14	43311635430	1	SPACER 8X12X9	
15	V452000250	1	SPRING	
16	V356000300	1	COLLAR	
17	9114505016	1	SCREW 5X16	
18	V203000110	1	BOLT	
19	C309000030	1	TENSIONER, CHAIN	
20	V651000001	1	GEAR, BEVEL	
21	V355000270	1	COLLAR	
22	V651000011	1	GEAR, BEVEL	
23	43301912330	2	FLANGE NUT	
24	C305000011	1	PLATE, SPROCKET GUARD	
25	90022003006	1	SCREW 3X6	
26	V202000060	2	TAPPING SCREW 4X12	
27	14A0CD3752	1	GUIDE BAR - 14"	GAUGE: .050"
28	16A0CD3757	1	GUIDE BAR - 16"	GAUGE: .050"
29	18A0CD3762		GUIDE BAR - 18"	GAUGE: .050"
30	91VG52G	1	SAWING CHAIN - 14" -- XtraGUARD <sup>1</sup>	GAUGE: .050" / PITCH: .375"
31	91VG57CQ	1	SAWING CHAIN - 16" -- XtraGUARD <sup>1</sup>	GAUGE: .050" / PITCH: .375"
32	91VG62G	1	SAWING CHAIN - 18" -- XtraGUARD <sup>1</sup>	GAUGE: .050" / PITCH: .375"
33	43301239930	1	PLATE, GUIDE	
34	X502000020	1	LABEL, ECHO	

**Footnotes**

1: Low Vibration



014 0001 00B

**CS-370 Chain Saw**

**Clutch**

ITEM	PART NUMBER	QTY	DESCRIPTION	REMARKS
1	A056000120	1	CLUTCH ASY	INCLUDES ITEM 2-4
2	A552000060	1	HUB, CLUTCH	
3	P021007050	1	CLUTCH SHOE SET	
4	V451000500	3	SPRING, CLUTCH	
5	17501939430	1	PLATE, CLUTCH	
6	17501200831	1	BEARING, NEEDLE	
7	A556000400	1	DRUM, CLUTCH	
8	17501439131	1	WASHER	

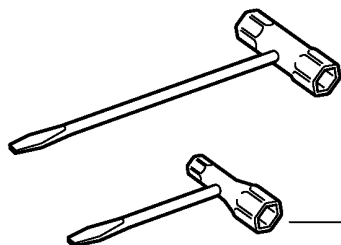
**SOCKET WRENCH W/SCREWDRIVER (Also Removes Spark Plugs)**

1 - 89541010630 -- 17X19mm

2 - X602000020 -- 17X19mm

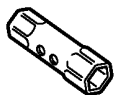
3 - 89541039131 -- 10X19mm

4 - 89541006960 -- 13X19mm



**SOCKET WRENCH**

5 - X602000031 -- 17X14.5mm



**LOCKING BAR**

6 - 89751801131 -- 5X120mm



**OPEN END WRENCH**

7 - 89511200330 -- 8X10mm

8 - 89512220960 -- 17X19mm



9 - 89501505260 -- 10mm



**HEX BAR**

10 - 89541220960 -- 10mm



**HEX KEY**

11 - 89561203430 -- 3mm



12 - 89561000130 -- 4mm



13 - 89561100330 -- 5mm



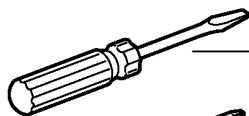
**TORX KEY**

14 - X605000060 -- T27

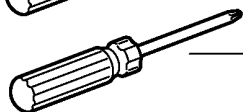


**SCREWDRIVER**

15 - 89581100130 -- 125mm SLOTTED

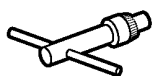


16 - 89581203930 -- 50mm PHILLIPS



**CHUCK KEY**

17 - 89757005560



**Consult Your Operators Manual For The Tools Used With Your Model**

200 0002 000

ITEM	PART NUMBER	QTY	DESCRIPTION	REMARKS
1	89541010630	1	SOCKET WRENCH/SCREWDRIVER	17X19mm
2	X602000020	1	SOCKET WRENCH/SCREWDRIVER	17X19mm
3	89541039131	1	SOCKET WRENCH/SCREWDRIVER	10X19mm
4	89541006960	1	SOCKET WRENCH/SCREWDRIVER	13X19mm
5	X602000031	1	SOCKET WRENCH	17X14.5mm
6	89751801131	1	LOCKING BAR	5X120mm
7	89511200330	1	OPEN END WRENCH	8X10mm
8	89512220960	1	OPEN END WRENCH	17X19mm
9	89501505260	1	OPEN END WRENCH	10mm
10	89541220960	1	HEX BAR	10mm
11	89561203430	1	HEX KEY	3mm
12	89561000130	1	HEX KEY	4mm
13	89561100330	1	HEX KEY	5mm
14	X605000060	1	TORX KEY	T27
15	89581100130	1	SCREWDRIVER	SLOTTED HEAD
16	89581203930	1	SCREWDRIVER	PHILLIPS HEAD
17	89757005560	1	CHUCK KEY	



# Part Number Index

Click The Page Number After Any Part Number To View The Diagram Containing That Part.

Part Number	Page	Part Number	Page	Part Number	Page	Part Number	Page
-----	5, 9, 11, 13, 15	43301912330	25, 27	A514000050	19	X602000031	31
10001216131	5	43311635430	25, 27	A552000060	29	X605000060	31
10001327430	5	43611413930	5	A556000400	29		
10001453630	5	43620514730	5	C022000000	5		
10001503931	5	43721035430	5	C032000280	25, 27		
10014212330	5	43721039931	5	C300000310	25, 27		
10091060030	5	89011849330	19	C304000010	5		
10091533930	5	89015737330	9, 11	C305000011	25, 27		
10091815130	5, 21, 23	89016739230	11	C309000030	25, 27		
12310004930	13	89019130131	5	C310000000	5		
12310037330	15	89501505260	31	C320000110	25, 27		
12310103930	13	89511200330	31	C328000080	25, 27		
12310110530	15	89512220960	31	C334000090	25, 27		
12311003930	13, 15	89541006960	31	C345000210	25, 27		
12311337530	13, 15	89541010630	31	C400000430	21, 23		
12311403930	13, 15	89541039131	31	C450000210	21, 23		
12311610530	13, 15	89541220960	31	C454000100	9, 11		
12311739330	13	89561000130	31	C460000070	21, 23		
12311802261	13, 15	89561100330	31	P003000010	13, 15		
12312239330	13, 15	89561203430	31	P003001520	15		
12312438330	13, 15	89581100130	31	P003001800	15		
12312703930	15	89581203930	31	P021001980	5		
12312715030	13	89751801131	31	P021007050	29		
12313002960	13, 15	89757005560	31	P021007151	5		
12313135430	13, 15	90016205020	19	P021007630	5		
12313237330	13, 15	90016205030	5	P021009830	5		
12313304260	13, 15	90022003006	25, 27	P021009851	5		
12313404260	13, 15	90022004008	17	P021009920	21		
12313510630	13, 15	90023804012	5	P021010590	23		
12313610630	13, 15	90023805014	5	P022005890	19		
12313903930	13, 15	90023805020	5	P022008440	19		
12314203930	13, 15	90023805045	9, 11	P022010440	19		
12315038330	13	90025304008	25	SB1088	5		
12317815030	13, 15	90025304016	25, 27	V103000280	9, 11		
12318139130	11	90025305020	9, 11	V103000290	5		
13000739930	9, 11	90034540030	21, 23	V104000730	17		
13002033330	9, 11	90051500008	19	V135000010	5		
13030039730	9, 11	90051600005	17	V202000060	25, 27		
13030139933	9, 11	90060000005	9, 11	V202000070	21, 23		
13033832430	6	90060300005	19	V203000090	19		
13036639930	9, 11	90072000022	21, 23	V203000110	25, 27		
13040538331	9, 11	90072100025	5	V203000120	17		
13100435931	21, 23	9110004022	21, 23	V203000170	5		
13120519830	21, 23	9114505016	5, 21, 23, 25, 27	V341000050	5		
13132840630	21, 23	9114505020	5, 19, 21, 23	V352000070	21, 23		
13200700760	21, 23	91VG52G	25, 27	V355000270	25, 27		
13201239931	21, 23	91VG57CQ	25, 27	V356000300	25, 27		
13201309820	9, 11, 21, 23	91VG62G	25, 27	V376000450	25, 27		
13201326630	5, 21, 23	9305030098	25, 27	V400000050	21, 23		
13211504920	21	9403536201	5	V420001250	5		
13211512330	5	A021001220	13	V450000070	25, 27		
13211544330	23	A021001330	15	V451000500	29		
14A0CD3752	25, 27	A051000980	19	V452000250	25, 27		
15011404920	5	A056000120	29	V452000260	21, 23		
15011716430	19	A101000110	5	V471001280	11		
15901019830	19	A160000761	5	V471001470	11		
16340038330	9, 11	A172000570	19	V471001600	9, 11		
16381059535	9	A202000060	5	V485000620	19		
16A0CD3757	25, 27	A209000000	5	V485000680	19		
17501200831	29	A235000020	6	V486000020	9, 11		
17501439131	29	A241000100	9, 11	V490000310	19		
17501939430	29	A300000620	17	V505000010	5		
17721403930	25, 27	A310000060	17	V651000001	25, 27		
17723435430	19	A313000760	17	V651000011	25, 27		
17723661830	19	A356000030	21, 23	V652000010	5		
17724704630	19	A365000050	5, 21, 23	X502000020	25, 27		
17830237930	21, 23	A409000270	19	X503007040	6		
17881014534	9, 11	A411000260	19	X503007160	6		
18A0CD3762	25, 27	A425000000	19	X505000450	5		
35111119830	21, 23	A426000010	19	X505000460	5		
35113439930	9, 11	A427000013	19	X524001640	5		
35115535430	21, 23	A439000144	11	X524001720	5		
43301239930	25, 27	A506000030	19	X602000020	31		





# Part Description Index

Click The Page Number After Any Part Description To View The Diagram Containing That Part.

## A

ADAPTER, INTAKE.....9, 11  
 ADAPTOR, INTAKE.....5  
 AIR CLEANER ASY.....9, 11  
 AUTO-OILER.....5  
 AUTO-OILER ASY.....5

## B

BALL, CHOKE FRICTION.....13, 15  
 BAND, BRAKE.....25, 27  
 BEARING, BALL - 6201.....5  
 BEARING, NEEDLE.....5, 29  
 BELLOWS, INTAKE.....5  
 BODY, CARBURETOR.....13, 15  
 BOLT.....17, 21, 23, 25, 27  
 BOLT 5X22.....5  
 BRACKET, SWITCH.....9, 11  
 BUMPER, SPIKED.....5  
 BUSHING.....5

## C

CAP.....21, 23  
 CAP ASY.....5, 21, 23  
 CAP, AIR CLEANER.....9, 11  
 CAP, CUSHION.....5  
 CAP, MIXTURE LIMITER.....13, 15  
 CAP, SPARK PLUG.....19  
 CARBURETOR.....9, 11  
 CARBURETOR -- WT-794.....13  
 CARBURETOR -- WT-829.....15  
 CATCHER, CHAIN.....5  
 CHAIN BRAKE ASY.....25, 27  
 CHUCK KEY.....31  
 CIRCLIP.....13  
 CIRCLIP, PISTON PIN.....5  
 CLIP.....5, 9, 11, 19, 21, 23  
 CLIP, THROTTLE SHAFT.....15  
 CLUTCH ASY.....29  
 CLUTCH SHOE SET.....29  
 COIL, IGNITION.....19  
 COLLAR.....21, 23, 25, 27  
 CONNECTOR, CAP.....5, 21, 23  
 CONNECTOR, BRAKE.....25, 27  
 COVER, BRAKE.....25, 27  
 COVER, ENGINE.....5  
 COVER, FAN.....19  
 COVER, FUEL PUMP.....13, 15  
 COVER, HANDLE.....21, 23  
 COVER, METERING DIAPHRAGM.....13, 15  
 COVER, VENT.....21, 23  
 CRANKCASE SET.....5  
 CRANKSHAFT ASY.....5  
 CUSHION.....5, 9, 11, 21, 23

## D

DEFLECTOR, HEAT.....5  
 DIAPHRAGM, FUEL PUMP.....13, 15  
 DIAPHRAGM, METERING.....13, 15  
 DIAPHRAGM/GASKET KIT.....13, 15  
 DRUM, CLUTCH.....29

## E

ENGINE COVER ASY.....5

## F

FILTER, FUEL.....21, 23  
 FILTER, OIL.....5  
 FLANGE NUT.....19, 25, 27  
 FLANGE NUT 5.....17  
 FLYWHEEL.....19  
 FUEL PIPE KIT.....21, 23

## G

GASKET, EXHAUST.....17  
 GASKET, FUEL PUMP.....13, 15  
 GASKET, INTAKE.....5, 9, 11  
 GASKET, METERING DIAPHRAGM.....13, 15  
 GEAR, BEVEL.....25, 27  
 GEAR, WORM.....5  
 GRIP, HANDLE.....21, 23  
 GRIP, STARTER.....19  
 GROMMET.....5, 9, 11, 21, 23  
 GUARD, SPROCKET.....25, 27  
 GUIDE BAR - 14".....25, 27  
 GUIDE BAR - 16".....25, 27  
 GUIDE BAR - 18".....25, 27  
 GUIDE, EXHAUST.....17

## H

HANDLE, FRONT.....21, 23  
 HEX BAR.....31  
 HEX KEY.....31  
 HUB, CLUTCH.....29

## I

INSULATOR ASY.....9, 11

## K

KNOB, AIR CLEANER LID.....6

## L

LABEL - KICK BACK.....5  
 LABEL - ECHO.....19  
 LABEL - KICK BACK (FRENCH).....5  
 LABEL - MODEL -- CS-370.....6  
 LABEL - STOP.....9, 11  
 LABEL, BAR & CHAIN.....5  
 LABEL, ECHO.....25, 27  
 LABEL, KICK BACK.....5  
 LABEL, PRIMER.....11  
 LATCH, THROTTLE.....21, 23  
 LEAD, GROUND.....19  
 LEAD, IGNITION.....19  
 LEVER, BRAKE.....25, 27  
 LEVER, METERING.....13, 15  
 LEVER, THROTTLE.....13, 15  
 LID, AIR CLEANER.....5  
 LOCKING BAR.....31  
 LOCKOUT, THROTTLE.....21, 23

## M

MUFFLER.....17

## N

NEEDLE, MIXTURE ADJUSTMENT.....13, 15

NUT.....9, 11

## O

OIL SEAL.....5  
 OPEN END WRENCH.....31  
 O-RING.....5  
 O-RING 22.....21, 23

## P

PAWL.....19  
 PIN, METERING LEVER.....13, 15  
 PIN, PISTON.....5  
 PIPE.....9, 11  
 PIPE, OIL.....5  
 PIPE, OIL OUTLET.....5  
 PIPE, PRIMER - 3X5X200.....11  
 PIPE, RETURN - 3X5X105.....11  
 PIPE, VENT - GROMMET.....21, 23  
 PISTON KIT.....5  
 PLATE, CLUTCH.....29  
 PLATE, GUIDE.....25, 27  
 PLATE, INSULATOR.....5  
 PLATE, SPROCKET GUARD.....25, 27  
 PLUG, COVER.....6  
 PLUG, FRICTION.....13, 15  
 PLUG, WELCH.....13, 15  
 PUMP, PRIMER.....11

## R

REAR HANDLE SET.....21, 23  
 REEL, ROPE.....19  
 REPAIR KIT.....13, 15  
 REWIND SPRING KIT.....19  
 RING, PISTON.....5  
 ROD, CHOKE.....9, 11  
 ROD, THROTTLE.....9, 11  
 ROLLER.....25, 27  
 ROPE, STARTER - 3.5X900mm.....19

## S

SAWING CHAIN - 14" -- XtraGUARD.....25, 27  
 SAWING CHAIN - 16" -- XtraGUARD.....25, 27  
 SAWING CHAIN - 18" -- XtraGUARD.....25, 27  
 SCREEN.....17  
 SCREEN, INLET.....13, 15  
 SCREW.....5, 19  
 SCREW 3X6.....25, 27  
 SCREW 4X12.....5  
 SCREW 4X16.....21, 23  
 SCREW 4X8.....17, 25  
 SCREW 5X14.....5, 19  
 SCREW 5X16.....5, 21, 23, 25, 27  
 SCREW 5X20.....5, 9, 11, 19, 21, 23  
 SCREW 5X30.....5  
 SCREW 5X45.....9, 11  
 SCREW, CHOKE VALVE.....13, 15  
 SCREW, CLIP.....15  
 SCREW, IDLE ADJUST.....13, 15  
 SCREW, METERING DIAPHRAGM COVER.....  
 13, 15  
 SCREW, METERING LEVER PIN.....13, 15  
 SCREW, PUMP COVER.....13, 15  
 SCREW, THROTTLE LEVER.....13, 15  
 SCREW, THROTTLE VALVE.....13, 15



# Part Description Index (continued)

---

SCREWDRIVER.....31  
 SHAFT, CHOKE.....13, 15  
 SHAFT, THROTTLE.....13, 15  
 SHORT BLOCK.....5  
 SOCKET WRENCH.....31  
 SOCKET WRENCH/SCREWDRIVER.....31  
 SPACER.....19, 25, 27  
 SPACER 8X12X9.....25, 27  
 SPACER, PISTON PIN.....5  
 SPARK PLUG -- BPM-8Y.....19  
 SPARK PLUG -- BPMR-8Y.....19  
 SPRING.....25, 27  
 SPRING PIN 4X30.....21, 23  
 SPRING, CHOKE FRICTION.....13, 15  
 SPRING, CLUTCH.....29  
 SPRING, IDLE ADJUST.....13, 15  
 SPRING, METERING LEVER.....13, 15  
 SPRING, RETURN.....19  
 SPRING, THROTTLE RETURN.....13, 15  
 SPRING, TRIGGER RETURN.....21, 23  
 STARTER ASY.....19  
 SWITCH, IGNITION.....9, 11

## T

TAPPING SCREW 4X12.....25, 27  
 TAPPING SCREW 4X16.....25, 27  
 TENSIONER, CHAIN.....25, 27  
 TERMINAL, LEAD - GROUND.....9, 11  
 TERMINAL, SPARK PLUG CAP.....19  
 TORX KEY.....31  
 TRIGGER, THROTTLE.....21, 23

## V

VALVE, CHECK.....5  
 VALVE, CHOKE.....13, 15  
 VALVE, INLET NEEDLE.....13, 15  
 VALVE, THROTTLE.....13, 15  
 VENT ASY.....21, 23

## W

WASHER.....9, 11, 25, 27, 29  
 WASHER 5.....19  
 WOODRUFF KEY.....5

## **NOTES**



**ECHO, INCORPORATED**

400 Oakwood Road  
Lake Zurich, IL 60047 USA

[WWW.ECHO-USA.COM](http://WWW.ECHO-USA.COM)

---