



AVAILABLE ATTACHMENTS & ACCESSORIES**Accessories**

103942147 CS Carry Bag

99988800207 CS Removable Nose Case

Guide Bars

16A0ED3757 Guide Bar - 16" (.050" Ga) -- Pro-91

18A0ED3762 Guide Bar - 18" (.050" Ga) -- Pro-91

Sawing Chains

91P57G Sawing Chain - 16" (.050" Ga) -- Low Profile

91P62G Sawing Chain - 18" (.050" Ga) -- Low Profile

PARTS CATALOG
CS-400 Chain Saw**36.3cc**

SERIAL NUMBERS

S/N: C08111001001 - C08111999999

ECHO, INCORPORATED

400 Oakwood Road Lake Zurich, Illinois 60047 USA

WWW.ECHO-USA.COM



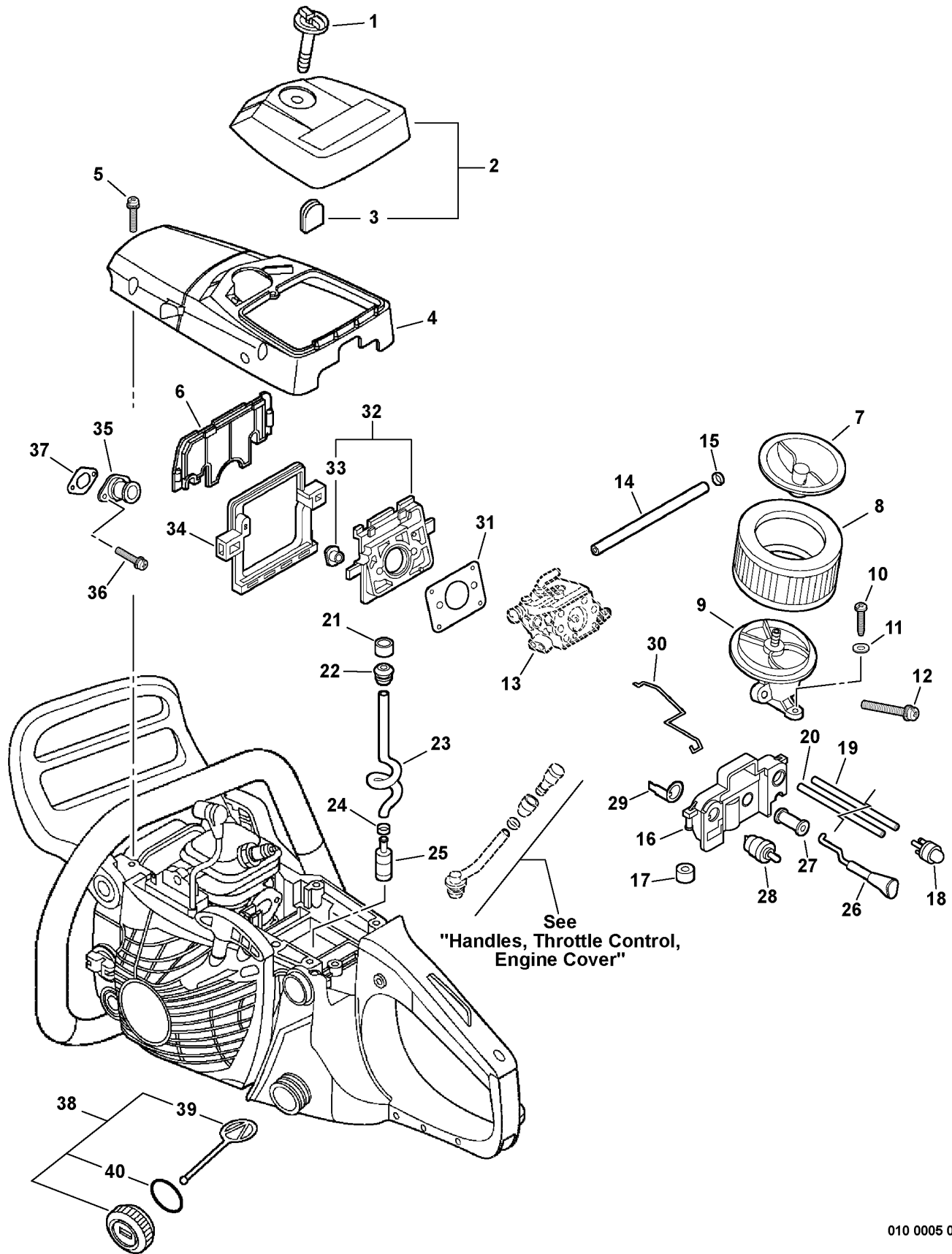
Table of Contents

Click Any Diagram Description Below To View That Diagram.

CS-400 S/N: C08111001001 - C08111999999

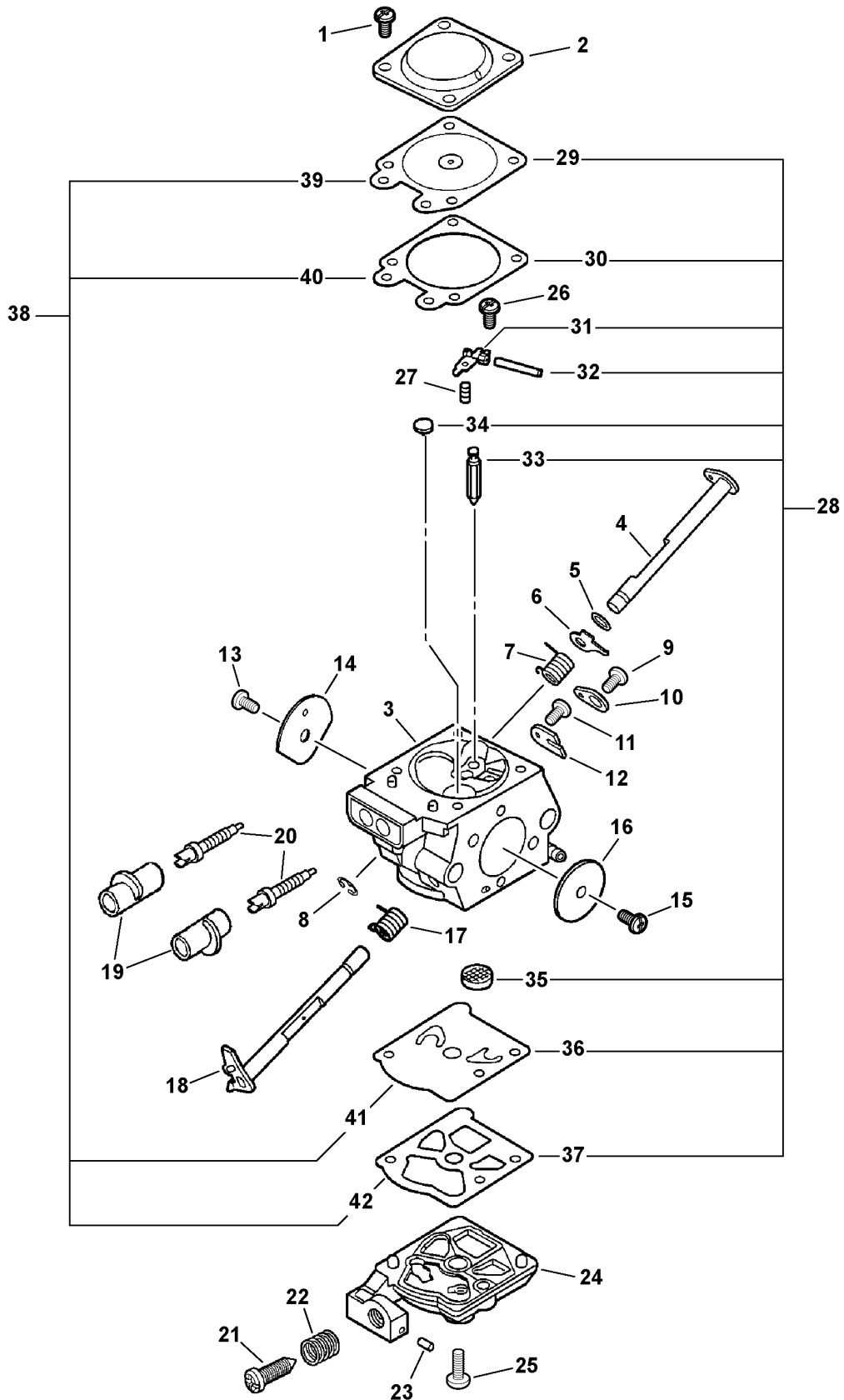
Intake, Cylinder Cover, Ignition Switch, Fuel System.....	4
Carburetor -- WT-820.....	6
Exhaust.....	8
Starter.....	10
Ignition, Flywheel.....	12
Chain Brake.....	14
Guide Bar, Sawing Chain, Kick Guard.....	16
Clutch.....	18
Auto-Oiler.....	20
Engine, Short Block -- SB1089.....	22
Handles, Throttle Control, Engine Cover.....	24
Labels.....	26
Tools.....	28
Part Number Index.....	30
Part Description Index.....	31

This Page Intentionally Left Blank



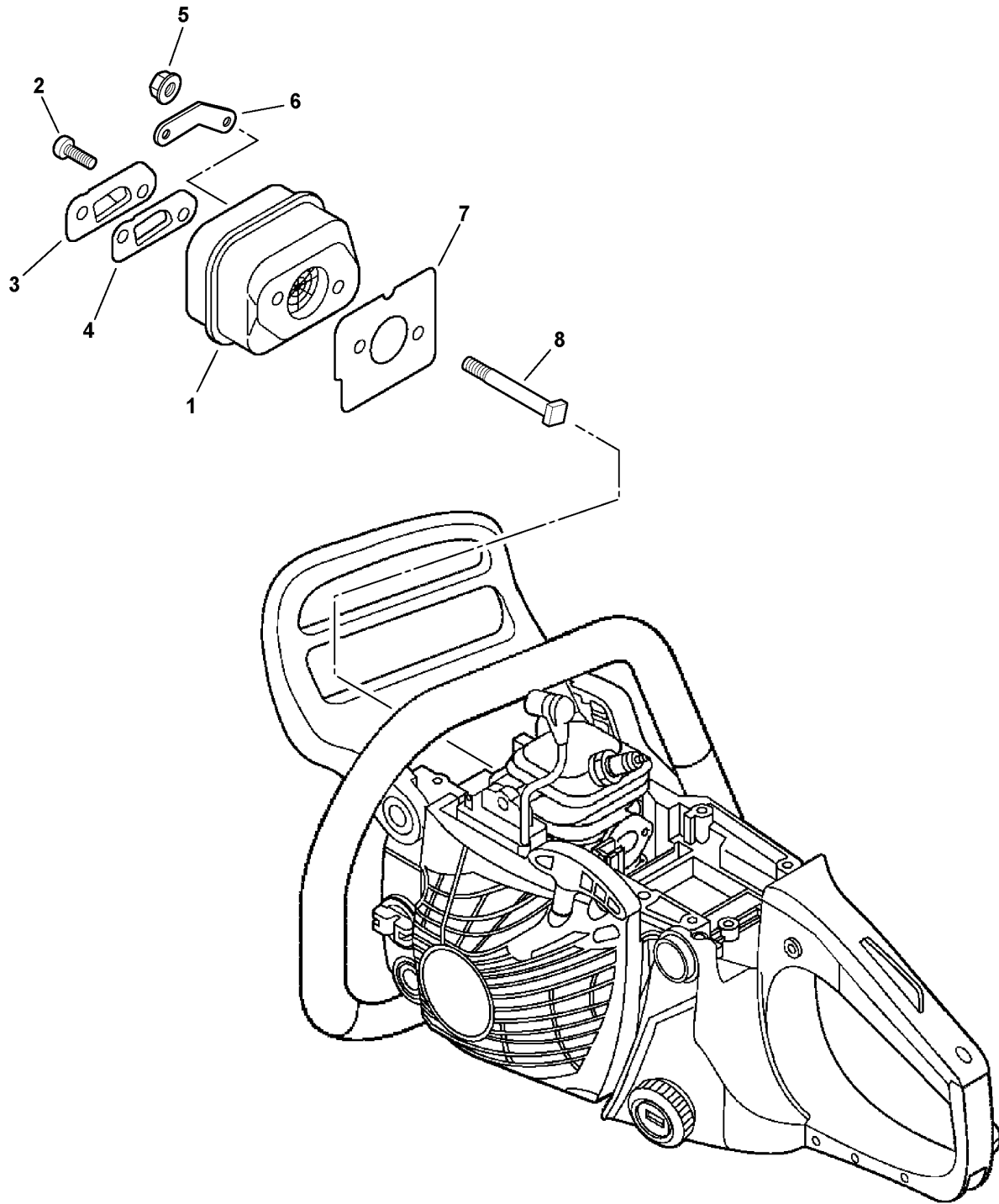
010 0005 00B

ITEM	PART NUMBER	QTY	DESCRIPTION	REMARKS
1	A235000020	1	KNOB, AIR CLEANER LID	
2	P021007153	1	LID, AIR CLEANER	INCLUDES ITEM 3
3	13033832430	1	PLUG, COVER	
4	A160000761	1	COVER, CYLINDER	
5	90023805020	3	SCREW 5X20	
6	A209000000	1	PLATE, INSULATOR	
7	13040538332	1	CAP, AIR CLEANER	
8	13030039730	1	AIR CLEANER ASY	
9	13030139935	1	ADAPTER, INTAKE	
10	90025305020	1	SCREW 5X20	
11	90060000005	1	WASHER	
12	90023805050	2	SCREW 5X50	
13	-----	1	CARBURETOR	
14	V471001600	1	PIPE	
15	13201309820	1	CLIP	
16	A439000145	1	BRACKET, SWITCH	
17	35113439930	2	CUSHION	
18	12318139130	1	PUMP, PRIMER	
19	V471001470	1	PIPE, PRIMER - 3X5X200	REPOWER BULK OPTION: 90014
20	V471001831	1	PIPE, RETURN - 3X5X110	REPOWER BULK OPTION: 90014
21	V475003970	1	TUBE	
22	13211544330	1	GROMMET	
23	13200700760	1	PIPE, FUEL	
24	13201309820	1	CLIP	
25	13120519830	1	FILTER, FUEL	
26	A241000140	1	KNOB, CHOKE	
27	17881014534	1	GROMMET	
28	16340038330	1	SWITCH, IGNITION	
29	V486000021	1	TERMINAL, LEAD - GROUND	
30	C454000100	1	ROD, THROTTLE	
31	V103000280	1	GASKET, INTAKE	
32	13000739931	1	INSULATOR ASY	INCLUDES ITEM 33
33	13002033330	2	NUT	
34	V420001420	1	CUSHION	
35	A202000060	1	ADAPTOR, INTAKE	
36	90023805014	2	SCREW 5X14	
37	V103000290	1	GASKET, INTAKE	
38	P021010600	1	FUEL TANK CAP ASY	INCLUDES ITEMS 39-40
39	A365000050	1	CONNECTOR, CAP	
40	90072000022	1	O-RING 22	



WT820 0000 000

ITEM	PART NUMBER	QTY	DESCRIPTION	REMARKS
	A021001310	1	CARBURETOR -- WT-820	
1	12313002960	4	SCREW, METERING DIAPHRAGM COVER	
2	12314203930	1	COVER, METERING DIAPHRAGM	
3	-----		BODY, CARBURETOR	NOT AVAILABLE SEPARATELY
4	P003000150	1	SHAFT, CHOKE	
5	12314926030	1	WASHER	
6	P003001510	1	LEVER, FAST IDLE	
7	P003000140	1	SPRING, CHOKE RETURN	
8	12312715030	1	CLIP	
9	12311438830	1	SCREW, THROTTLE LEVER	
10	P003001780	1	LEVER, THROTTLE	
11	12313002960	4	SCREW, CLIP	
12	12312703930	1	CLIP, THROTTLE SHAFT	
13	12311438830	1	SCREW, CHOKE VALVE	
14	P003001790	1	VALVE, CHOKE	
15	12311438830	1	SCREW, THROTTLE VALVE	
16	12311610530	1	VALVE, THROTTLE	
17	12311337530	1	SPRING, THROTTLE RETURN	
18	P003001810	1	SHAFT, THROTTLE	
19	P003000010	2	CAP, MIXTURE LIMITER	
20	12312306331	2	NEEDLE, MIXTURE ADJUSTMENT	
21	12313404260	1	SCREW, IDLE ADJUST	
22	12313304260	1	SPRING, IDLE ADJUST	
23	12317815030	1	PLUG, FRICTION	
24	12312438330	1	COVER, FUEL PUMP	
25	12311003930	1	SCREW, PUMP COVER	
26	12313903930	1	SCREW, METERING LEVER PIN	
27	12312239330	1	SPRING, METERING LEVER	
28	P003000250	1	REPAIR KIT	INCLUDES ITEM 29-37
29	-----	1	DIAPHRAGM, METERING	
30	-----	1	GASKET, METERING DIAPHRAGM	
31	-----	1	LEVER, METERING	
32	-----	1	PIN, METERING LEVER	
33	-----	1	VALVE, INLET NEEDLE	
34	-----	1	PLUG, WELCH	
35	-----	1	SCREEN, INLET	
36	-----	1	DIAPHRAGM, FUEL PUMP	
37	-----	1	GASKET, FUEL PUMP	
38	P003000240	1	DIAPHRAGM/GASKET KIT	INCLUDES ITEM 39-42
39	-----	1	DIAPHRAGM, METERING	
40	-----	1	GASKET, METERING DIAPHRAGM	
41	-----	1	DIAPHRAGM, FUEL PUMP	
42	-----	1	GASKET, FUEL PUMP	

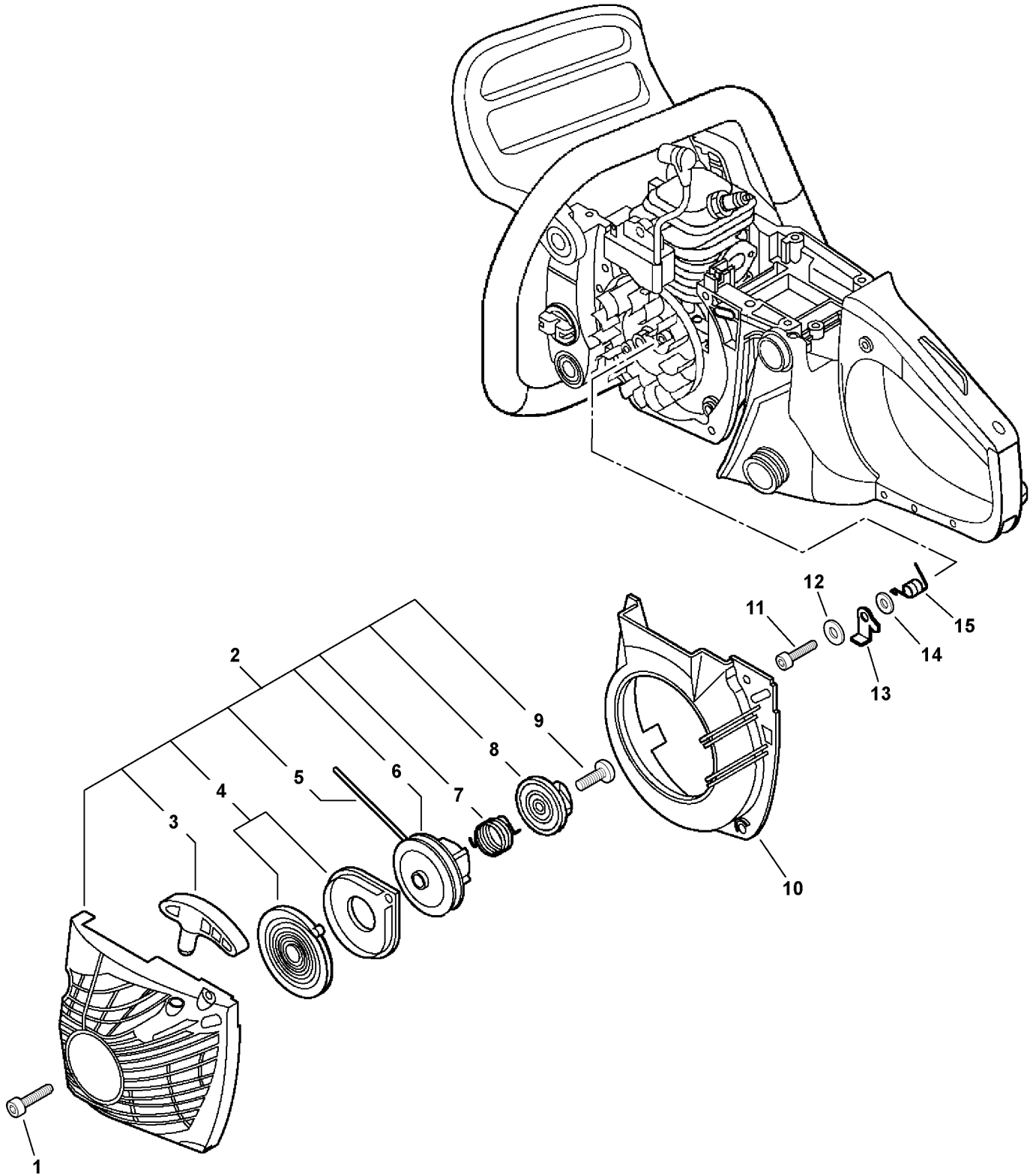


011 0004 00B

CS-400 Chain Saw

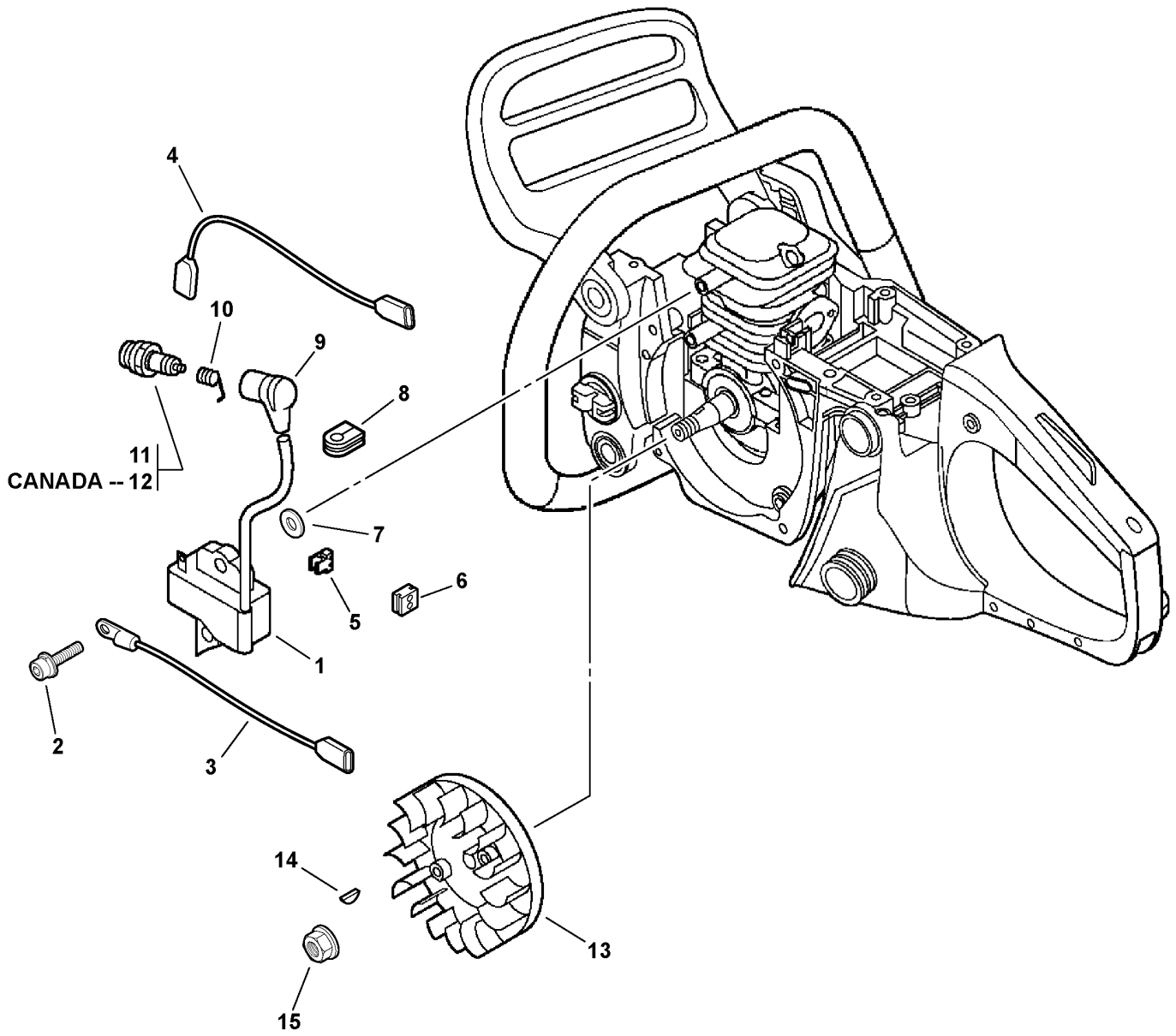
Exhaust

ITEM	PART NUMBER	QTY	DESCRIPTION	REMARKS
1	A300000680	1	MUFFLER	
2	90022004008	2	SCREW 4X8	
3	A313000810	1	GUIDE, EXHAUST	
4	A310000060	1	SCREEN	
5	90051600005	2	FLANGE NUT	
6	V150001820	1	EYE PLATE	
7	V104000731	1	GASKET, EXHAUST	
8	V203000220	2	BOLT	



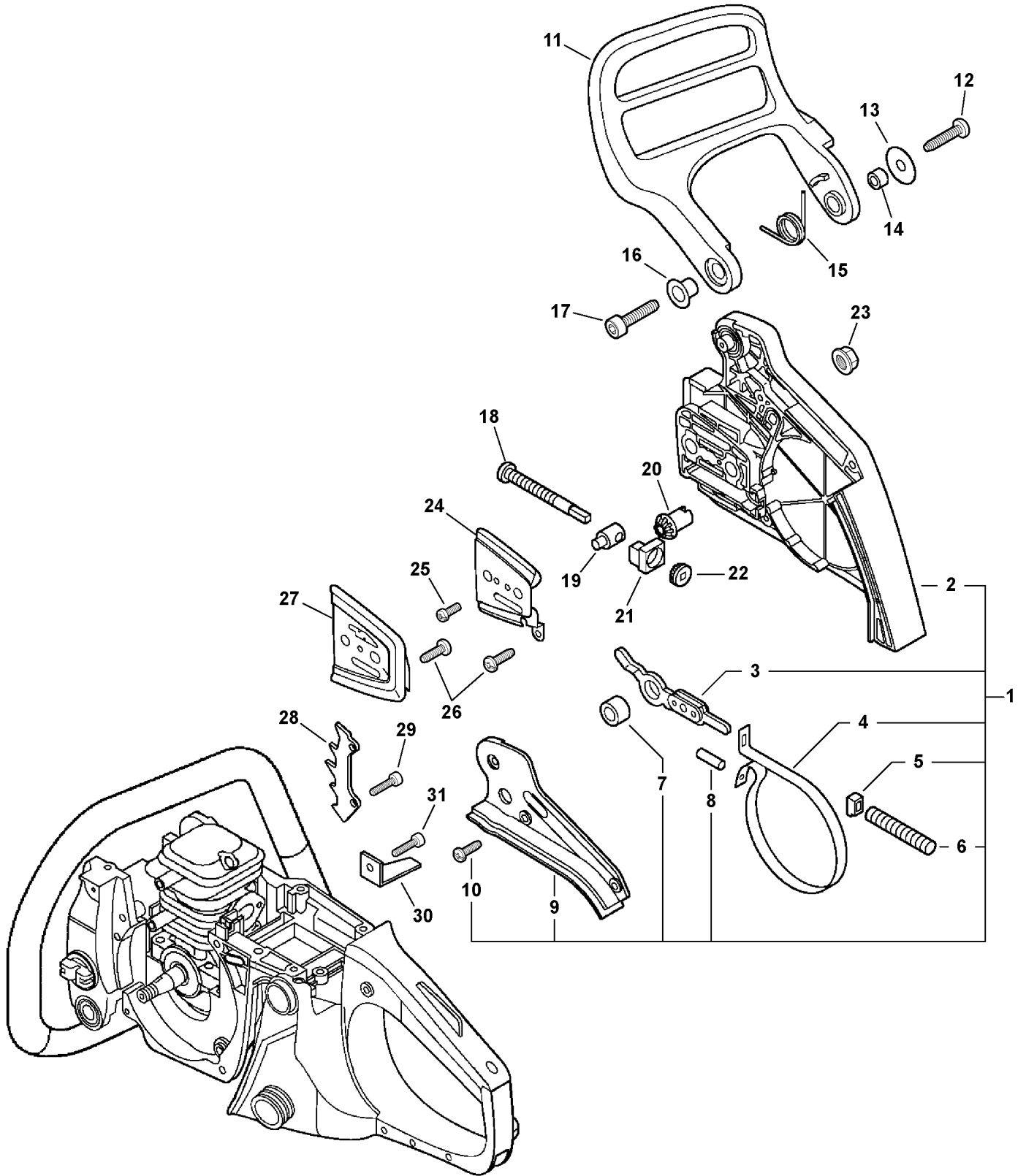
015 0004 000

ITEM	PART NUMBER	QTY	DESCRIPTION	REMARKS
1	9114505020	4	SCREW 5X20	
2	A051000980	1	STARTER ASY	INCLUDES ITEMS 3-9
3	P022005890	1	GRIP, STARTER	
4	P022010440	1	REWIND SPRING KIT	
5	P022008440	1	ROPE, STARTER - 3.5X900mm	REPOWER BULK OPTION: 99944045000
6	A506000030	1	REEL, ROPE	
7	V452000220	1	SPRING	
8	A507000021	1	CATCHER, PAWL	
9	17723661830	1	SCREW	
10	A172000571	1	COVER, FAN	
11	V203000090	2	SCREW 5X14	
12	90060300005	2	WASHER 5	
13	A514000050	2	PAWL	
14	17724704630	2	SPACER	
15	17723435430	2	SPRING, RETURN	



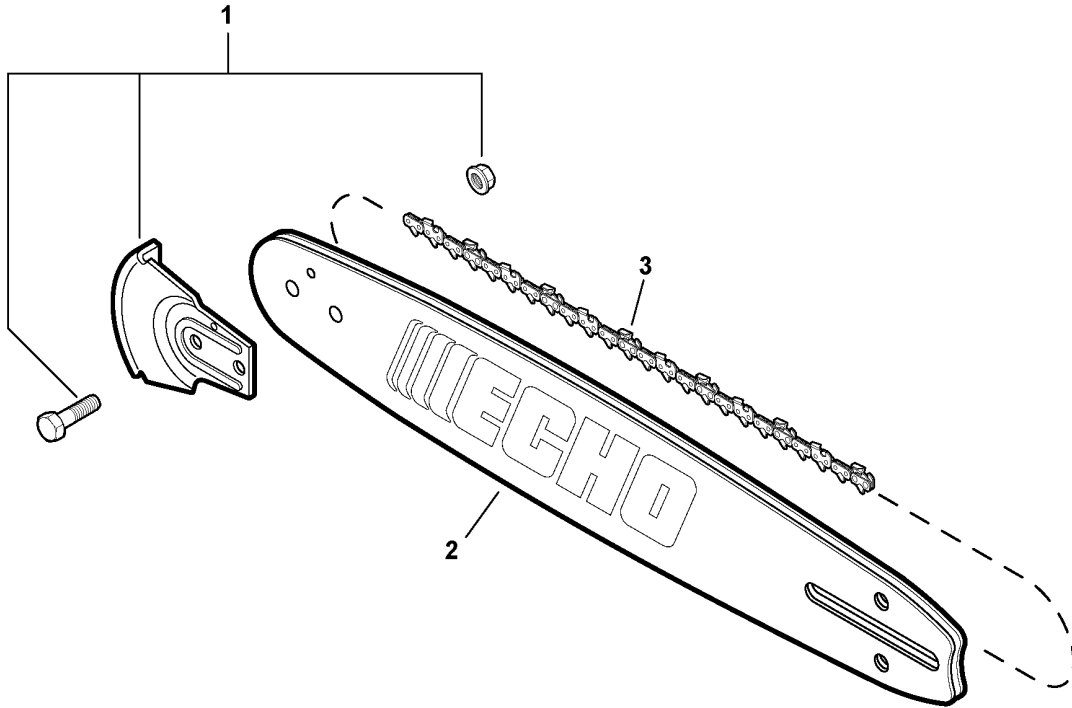
018 0005 000

ITEM	PART NUMBER	QTY	DESCRIPTION	REMARKS
1	A411000264	1	COIL, IGNITION	
2	90016205020	2	SCREW 5X20	
3	V485000620	1	LEAD, GROUND	
4	V485000680	1	LEAD, IGNITION	
5	V490000310	1	CLIP	
6	15011404920	1	BUSHING	
7	15011716430	2	SPACER	
8	V135000010	1	GROMMET	
9	A427000012	1	CAP, SPARK PLUG	
10	A426000010	1	TERMINAL, SPARK PLUG CAP	
11	15901019830	1	SPARK PLUG -- BPM-8Y	
12	A425000000	1	SPARK PLUG -- BPMR-8Y	CANADA MODELS
13	A409000272	1	FLYWHEEL	
14	10014212330	1	WOODRUFF KEY	
15	90051500008	1	FLANGE NUT	



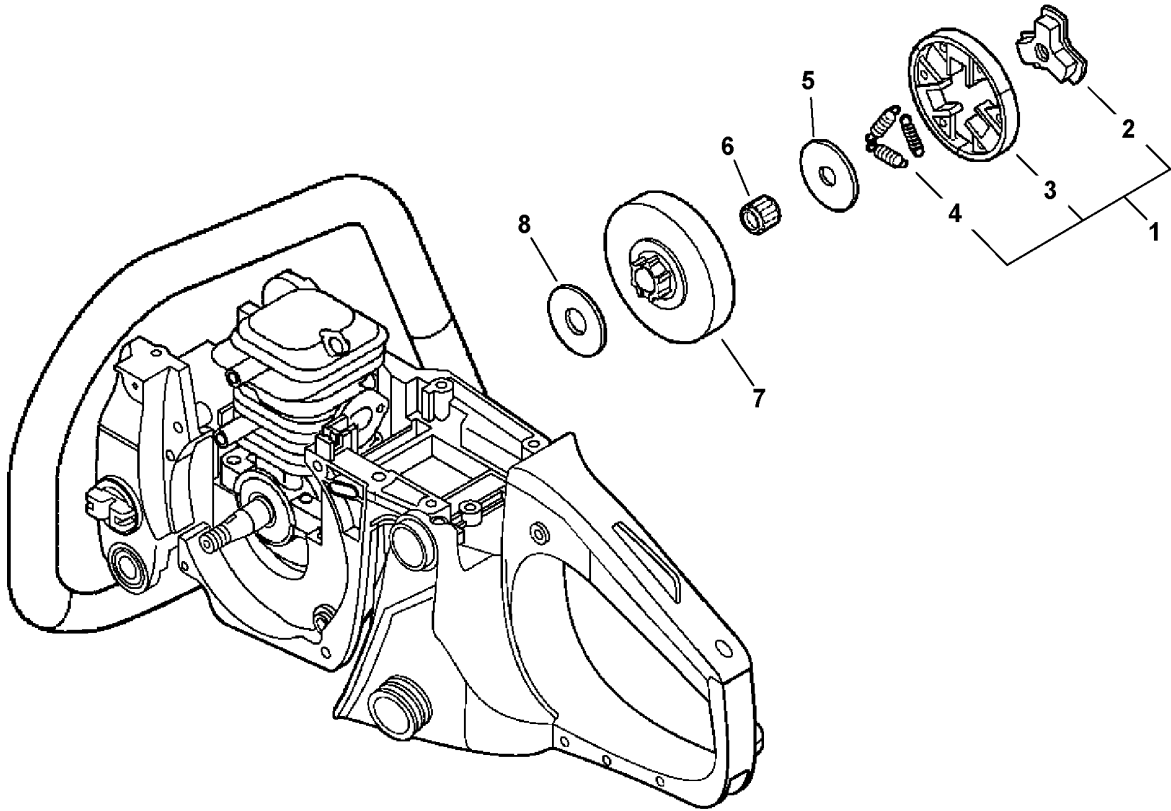
013 0007 000

ITEM	PART NUMBER	QTY	DESCRIPTION	REMARKS
1	C032000282	1	CHAIN BRAKE ASY	INCLUDES ITEMS 2-10
2	C300000312	1	GUARD, SPROCKET	
3	C334000090	1	CONNECTOR, BRAKE	
4	C328000080	1	BAND, BRAKE	
5	V376000450	1	SPACER	
6	V450000070	1	SPRING	
7	43311635430	1	SPACER	
8	9305030098	1	ROLLER	
9	C345000211	1	COVER, BRAKE	
10	V202000060	3	TAPPING SCREW 4X12	
11	C320000111	1	LEVER, BRAKE	
12	V202000070	1	SCREW 4	
13	17721403930	1	WASHER	
14	43311635430	1	SPACER	
15	V452000250	1	SPRING	
16	V356000300	1	COLLAR	
17	9114505016	1	SCREW 5X16	
18	V203000110	1	BOLT	
19	C309000030	1	TENSIONER, CHAIN	
20	V651000001	1	GEAR, BEVEL	
21	V355000270	1	COLLAR	
22	V651000011	1	GEAR, BEVEL	
23	43301912330	2	FLANGE NUT	
24	C305000011	1	PLATE, SPROCKET GUARD	
25	90022003006	1	SCREW 3X6	
26	V202000060	2	TAPPING SCREW 4X12	
27	43301239930	1	PLATE, GUIDE	
28	C304000010	1	BUMPER, SPIKE	
29	9114505020	2	SCREW 5X20	
30	C310000000	1	CATCHER, CHAIN	
31	9114505016	1	SCREW 5X16	



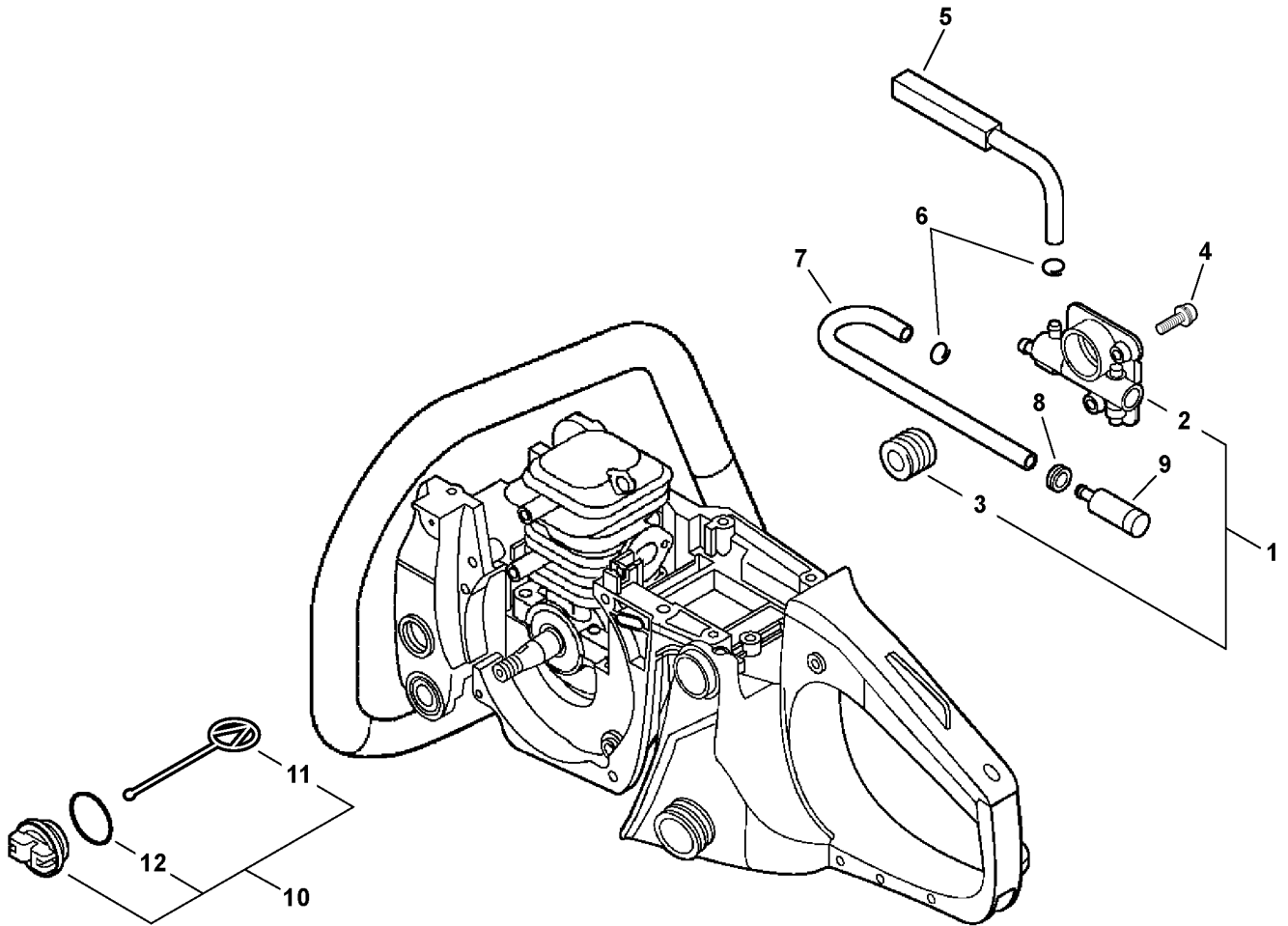
016 0010 000

ITEM	PART NUMBER	QTY	DESCRIPTION	REMARKS
1	2894901	1	KICK GUARD KIT	
2	16A0ED3757	1	GUIDE BAR - 16" -- Pro-91	GAUGE: .050"
2	18A0ED3762	1	GUIDE BAR - 18" -- Pro-91	GAUGE: .050"
3	91P57G	1	SAWING CHAIN - 16" -- Low Profile	GAUGE: .050" / PITCH: .375"
3	91P62G	1	SAWING CHAIN - 18" -- Low Profile	GAUGE: .050" / PITCH: .375"



014 0001 00B

ITEM	PART NUMBER	QTY	DESCRIPTION	REMARKS
1	A056000120	1	CLUTCH ASY	INCLUDES ITEM 2-4
2	A552000060	1	HUB, CLUTCH	
3	P021007050	1	CLUTCH SHOE SET	
4	V451000500	3	SPRING, CLUTCH	
5	17501939430	1	PLATE, CLUTCH	
6	17501200831	1	BEARING, NEEDLE	
7	A556000400	1	DRUM, CLUTCH	
8	17501439131	1	WASHER, CLUTCH	

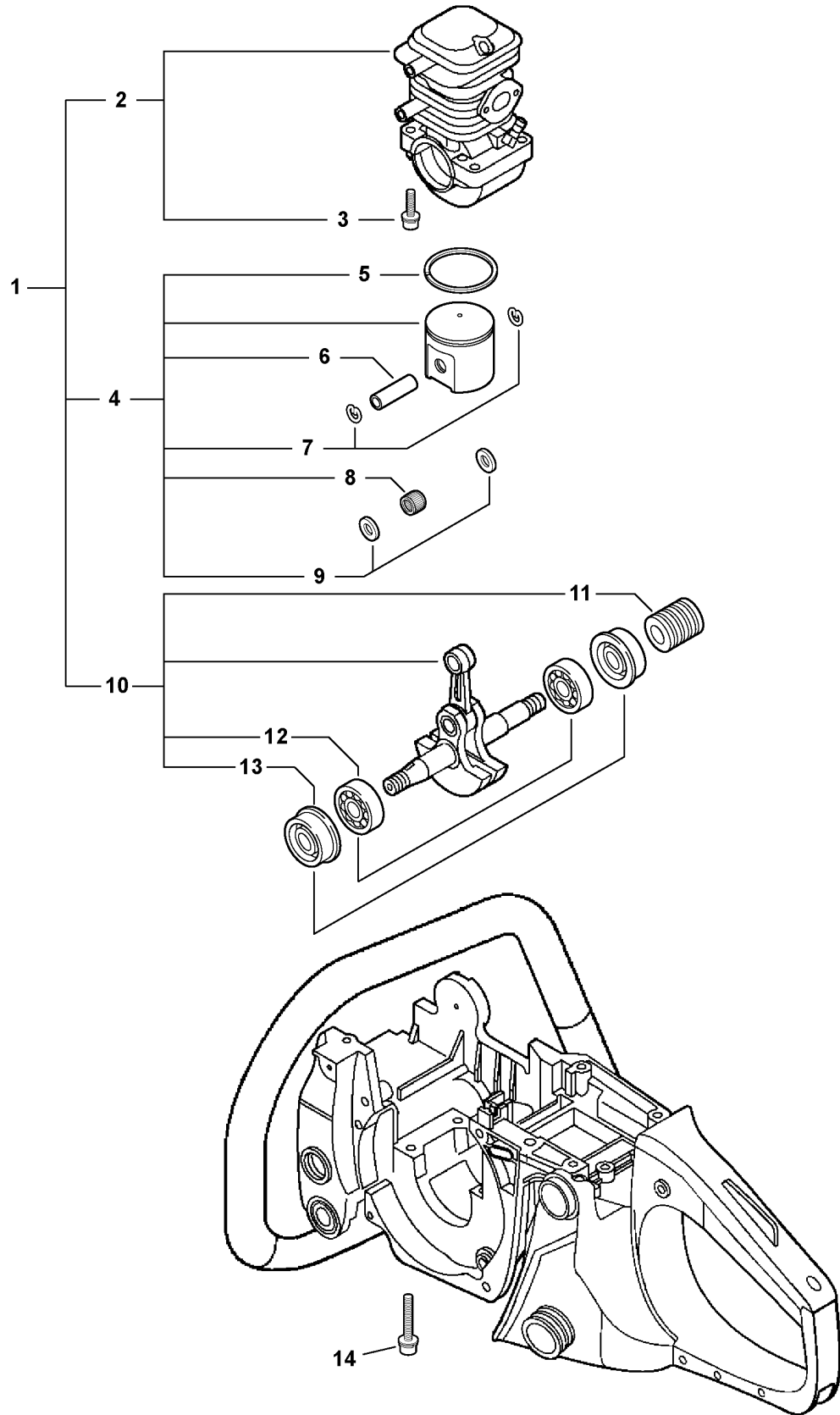


017 0004 000

ITEM	PART NUMBER	QTY	DESCRIPTION	REMARKS
1	P021001980	1	AUTO-OILER ASY	INCLUDES ITEMS 2-3
2	C022000000	1	AUTO-OILER	
3	V652000010	1	GEAR, WORM ¹	
4	90023804012	2	SCREW 4X12	
5	43721039931	1	PIPE	
6	13201326630	2	CLIP	
7	43721035430	1	PIPE	
8	13211512330	1	GROMMET	
9	43620514730	1	FILTER, OIL	
10	P021007630	1	FUEL CAP ASY	INCLUDES ITEMS 11-12
11	A365000050	1	CONNECTOR, CAP	
12	90072100025	1	O-RING	

Footnotes

1: ALSO INCLUDED IN P021009840 - CRANKSHAFT ASY

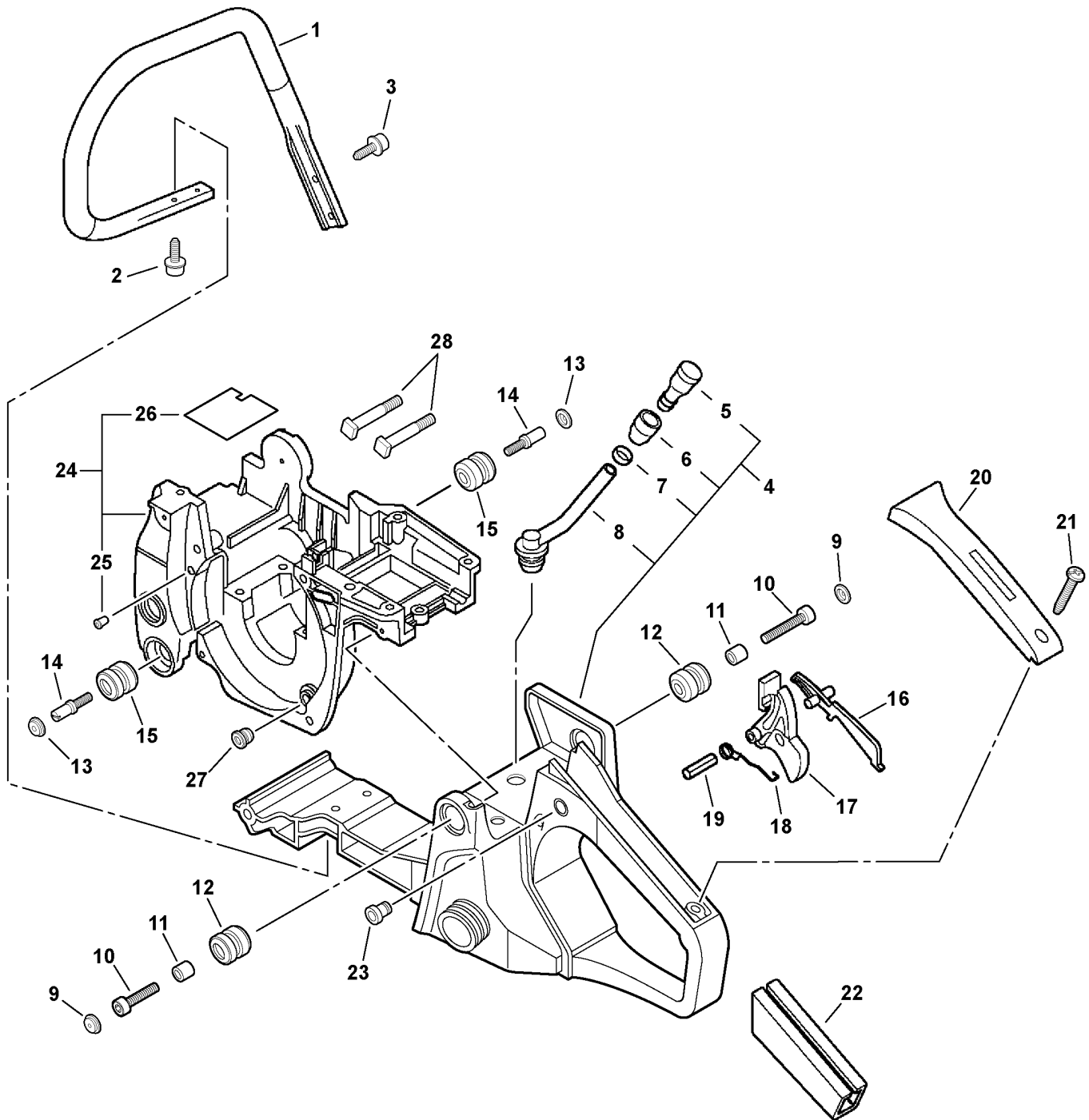


SB1089 0000 000

ITEM	PART NUMBER	QTY	DESCRIPTION	REMARKS
1	SB1089	1	SHORT BLOCK	INCLUDES ITEMS 2-13
2	-----	1	CRANKCASE SET	INCLUDES ITEM 3
3	90016205022	4	SCREW 5X22	
4	P021010581	1	PISTON KIT	INCLUDES ITEMS 5-9
5	A101000160	1	RING, PISTON	
6	V607000000	1	PIN, PISTON	
7	10001503931	2	CIRCLIP, PISTON PIN	
8	10001216131	1	BEARING, NEEDLE	
9	10001453630	2	SPACER, PISTON PIN	
10	P021009840	1	CRANKSHAFT ASY	INCLUDES ITEMS 11-13
11	V652000010	1	GEAR, WORM ¹	
12	9403536201	2	BEARING, BALL 6201	
13	V505000010	2	OIL SEAL	
14	90016205030	4	SCREW 5X30	

Footnotes

1: ALSO INCLUDED IN P021001980 - AUTO-OILER ASY



012 0001 00B

ITEM	PART NUMBER	QTY	DESCRIPTION	REMARKS
1	C400000430	1	HANDLE, FRONT	
2	9114505016	2	SCREW 5X16	
3	9114505020	2	SCREW 5X20	
4	P021010590	1	REAR HANDLE SET	INCLUDES ITEMS 5-8
5	A356000030	1	VENT ASY	
6	13132840630	1	COVER, VENT	
7	13201326630	1	CLIP	
8	13201239931	1	PIPE	
9	10091815130	2	CAP	
10	90010504020	2	SCREW 4X20	
11	V352000070	2	COLLAR	
12	V400000050	2	CUSHION	
13	10091815130	2	CAP	
14	10091533930	2	SCREW	
15	10091060030	2	CUSHION	
16	C460000070	1	LOCKOUT, THROTTLE	
17	C450000210	1	TRIGGER, THROTTLE	
18	V452000260	1	SPRING, TRIGGER RETURN	
19	90034540030	1	SPRING PIN 4X30	
20	35115535430	1	COVER, HANDLE	
21	90025304014	1	SCREW 4X14	
22	35111119830	1	GRIP, HANDLE	
23	V162000040	1	PLUG	
24	P021009855	1	ENGINE COVER ASY	INCLUDES ITEMS 25-26
25	43611413930	1	VALVE, CHECK	
26	V341000050	1	DEFLECTOR, HEAT	
27	V420001250	2	CUSHION	
28	43301119830	2	STUD, GUIDE BAR	



TO AVOID KICKBACK

1. Hold the chain saw firmly with both hands
2. Don't let the nose of the guide bar contact any obstruction.
3. Tip contact may suddenly move the guide bar upward and backward, which may cause serious injury

REPLACEMENT BAR AND CHAIN

GUIDE BAR*	CHAIN*
PART NO.	TYPE LINKS
16" 18A0ED3757	OREGON 91VG 57
18" 18A0ED3762	OREGON 91VG 62

*Or equivalent

Note: Lorem ipsum dolor sit amet, consectetur adipiscing elit, sed diam nonummy nibh euismod tincidunt ut laoreet dolore magna aliquam erat volutpat. Ut wisi enim ad minim veniam, quis nostrud exerci tation ullamcorper suscipit lobortis nisl ut aliquip ex



100 0056 US0

CS-400 Chain Saw

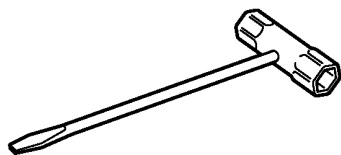
Labels

ITEM	PART NUMBER	QTY	DESCRIPTION	REMARKS
1	X503007391	1	LABEL - MODEL -- CS-400	
2	X502000340	1	LABEL - ECHO	
3	89016739230	1	LABEL - PURGE PUMP	
4	89019130131	1	LABEL - KICK BACK	
5	89015737330	1	LABEL - STOP	
6	X502000410	1	LABEL - ECHO	
7	X524001810	1	LABEL - BAR & CHAIN	

WRENCH W/SCREWDRIVER (Also Remove Spark Plugs)

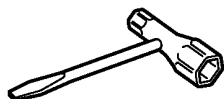
1 - 89541010630 -- 17X19mm

2 - X602000020 -- 17X19mm



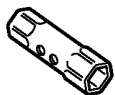
3 - 89541039131 -- 10X19mm

4 - 89541006960 -- 13X19mm



BOX WRENCH

5 - X602000031 -- 17X14.5mm



LOCKING BAR

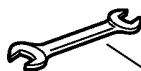
6 - 89751801131 -- 5X120mm



SPANNER

7 - 89511200330 -- 8X10mm

8 - 89512220960 -- 17X19mm



9 - 89501505260 -- 10mm



HEX BAR

10 - 89541220960 -- 10mm



L-WRENCH

11 - 89561203430 -- 3mm



12 - 89561000130 -- 4mm

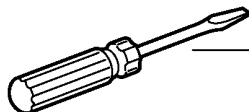


13 - 89561100330 -- 5mm

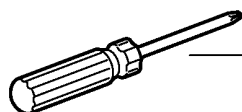


SCREWDRIVER

14 - 89581100130 -- 125mm



15 - 89581203930 -- 50mm



200 0001 000

ITEM	PART NUMBER	QTY	DESCRIPTION	REMARKS
1	89541010630	1	WRENCH/SCREWDRIVER -- 17X19mm	
2	X602000020	1	WRENCH/SCREWDRIVER -- 17X19mm	
3	89541039131	1	WRENCH/SCREWDRIVER -- 10X19mm	
4	89541006960	1	WRENCH/SCREWDRIVER -- 13X19mm	
5	X602000031	1	BOX WRENCH -- 17X14.5mm	
6	89751801131	1	LOCKING BAR -- 5X120mm	
7	89511200330	1	SPANNER -- 8X10mm	
8	89512220960	1	SPANNER -- 17X19mm	
9	89501505260	1	SPANNER -- 10mm	
10	89541220960	1	HEX BAR -- 10mm	
11	89561203430	1	L-WRENCH -- 3mm	
12	89561000130	1	L-WRENCH -- 4mm	
13	89561100330	1	L-WRENCH -- 5mm	
14	89581100130	1	SCREWDRIVER -- 125mm	
15	89581203930	1	SCREWDRIVER -- 50mm	



Part Number Index

Click The Page Number After Any Part Number To View The Diagram Containing That Part.

Part Number	Page	Part Number	Page	Part Number	Page
-----	5, 7, 23	89541039131	29	C460000070	25
10001216131	23	89541220960	29	P003000010	7
10001453630	23	89561000130	29	P003000140	7
10001503931	23	89561100330	29	P003000150	7
10014212330	13	89561203430	29	P003000240	7
10091060030	25	89581100130	29	P003000250	7
10091533930	25	89581203930	29	P003001510	7
10091815130	25	89751801131	29	P003001780	7
12311003930	7	90010504020	25	P003001790	7
12311337530	7	90016205020	13	P003001810	7
12311438830	7	90016205022	23	P021001980	21
12311610530	7	90016205030	23	P021007050	19
12312239330	7	90022003006	15	P021007153	5
12312306331	7	90022004008	9	P021007630	21
12312438330	7	90023804012	21	P021009840	23
12312703930	7	90023805014	5	P021009855	25
12312715030	7	90023805020	5	P021010581	23
12313002960	7	90023805050	5	P021010590	25
12313304260	7	90025304014	25	P021010600	5
12313404260	7	90025305020	5	P022005890	11
12313903930	7	90034540030	25	P022008440	11
12314203930	7	90051500008	13	P022010440	11
12314926030	7	90051600005	9	SB1089	23
12317815030	7	90060000005	5	V103000280	5
12318139130	5	90060300005	11	V103000290	5
13000739931	5	90072000022	5	V104000731	9
13002033330	5	90072100025	21	V135000010	13
13030039730	5	9114505016	15, 25	V150001820	9
13030139935	5	9114505020	11, 15, 25	V162000040	25
13033832430	5	91P57G	17	V202000060	15
13040538332	5	91P62G	17	V202000070	15
13120519830	5	9305030098	15	V203000090	11
13132840630	25	9403536201	23	V203000110	15
13200700760	5	A021001310	7	V203000220	9
13201239931	25	A051000980	11	V341000050	25
13201309820	5	A056000120	19	V352000070	25
13201326630	21, 25	A101000160	23	V355000270	15
13211512330	21	A160000761	5	V356000300	15
13211544330	5	A172000571	11	V376000450	15
15011404920	13	A202000060	5	V400000050	25
15011716430	13	A209000000	5	V420001250	25
15901019830	13	A235000020	5	V420001420	5
16340038330	5	A241000140	5	V450000070	15
16A0ED3757	17	A300000680	9	V451000500	19
17501200831	19	A310000060	9	V452000220	11
17501439131	19	A313000810	9	V452000250	15
17501939430	19	A356000030	25	V452000260	25
17721403930	15	A365000050	5, 21	V471001470	5
17723435430	11	A409000272	13	V471001600	5
17723661830	11	A411000264	13	V471001831	5
17724704630	11	A425000000	13	V475003970	5
17881014534	5	A426000010	13	V485000620	13
18A0ED3762	17	A427000012	13	V485000680	13
2894901	17	A439000145	5	V486000021	5
35111119830	25	A506000030	11	V490000310	13
35113439930	5	A507000021	11	V505000010	23
35115535430	25	A514000050	11	V607000000	23
43301119830	25	A552000060	19	V651000001	15
43301239930	15	A556000400	19	V651000011	15
43301912330	15	C022000000	21	V652000010	21, 23
43311635430	15	C032000282	15	X502000340	27
43611413930	25	C300000312	15	X502000410	27
43620514730	21	C304000010	15	X503007391	27
43721035430	21	C305000011	15	X524001810	27
43721039931	21	C309000030	15	X602000020	29
89015737330	27	C310000000	15	X602000031	29
89016739230	27	C320000111	15		
89019130131	27	C328000080	15		
89501505260	29	C334000090	15		
89511200330	29	C345000211	15		
89512220960	29	C400000430	25		
89541006960	29	C450000210	25		
89541010630	29	C454000100	5		



Part Description Index

Click The Page Number After Any Part Description To View The Diagram Containing That Part.

A

ADAPTER, INTAKE.....5
 ADAPTOR, INTAKE.....5
 AIR CLEANER ASY.....5
 AUTO-OILER.....21
 AUTO-OILER ASY.....21

B

BAND, BRAKE.....15
 BEARING, BALL 6201.....23
 BEARING, NEEDLE.....19, 23
 BODY, CARBURETOR.....7
 BOLT.....9, 15
 BOX WRENCH -- 17X14.5mm.....29
 BRACKET, SWITCH.....5
 BUMPER, SPIKE.....15
 BUSHING.....13

C

CAP.....25
 CAP, AIR CLEANER.....5
 CAP, MIXTURE LIMITER.....7
 CAP, SPARK PLUG.....13
 CARBURETOR.....5
 CARBURETOR -- WT-820.....7
 CATCHER, CHAIN.....15
 CATCHER, PAWL.....11
 CHAIN BRAKE ASY.....15
 CIRCLIP, PISTON PIN.....23
 CLIP.....5, 7, 13, 21, 25
 CLIP, THROTTLE SHAFT.....7
 CLUTCH ASY.....19
 CLUTCH SHOE SET.....19
 COIL, IGNITION.....13
 COLLAR.....15, 25
 CONNECTOR, CAP.....5, 21
 CONNECTOR, BRAKE.....15
 COVER, BRAKE.....15
 COVER, CYLINDER.....5
 COVER, FAN.....11
 COVER, FUEL PUMP.....7
 COVER, HANDLE.....25
 COVER, METERING DIAPHRAGM.....7
 COVER, VENT.....25
 CRANKCASE SET.....23
 CRANKSHAFT ASY.....23
 CUSHION.....5, 25

D

DEFLECTOR, HEAT.....25
 DIAPHRAGM, FUEL PUMP.....7
 DIAPHRAGM, METERING.....7
 DIAPHRAGM/GASKET KIT.....7
 DRUM, CLUTCH.....19

E

ENGINE COVER ASY.....25
 EYE PLATE.....9

F

FILTER, FUEL.....5
 FILTER, OIL.....21

FLANGE NUT.....9, 13, 15
 FLYWHEEL.....13
 FUEL CAP ASY.....21
 FUEL TANK CAP ASY.....5

G

GASKET, EXHAUST.....9
 GASKET, FUEL PUMP.....7
 GASKET, INTAKE.....5
 GASKET, METERING DIAPHRAGM.....7
 GEAR, BEVEL.....15
 GEAR, WORM.....21, 23
 GRIP, HANDLE.....25
 GRIP, STARTER.....11
 GROMMET.....5, 13, 21
 GUARD, SPROCKET.....15
 GUIDE BAR - 16" -- Pro-91.....17
 GUIDE BAR - 18" -- Pro-91.....17
 GUIDE, EXHAUST.....9

H

HANDLE, FRONT.....25
 HEX BAR -- 10mm.....29
 HUB, CLUTCH.....19

I

INSULATOR ASY.....5

K

KICK GUARD KIT.....17
 KNOB, AIR CLEANER LID.....5
 KNOB, CHOKE.....5

L

LABEL - KICK BACK.....27
 LABEL - BAR & CHAIN.....27
 LABEL - ECHO.....27
 LABEL - MODEL -- CS-400.....27
 LABEL - PURGE PUMP.....27
 LABEL - STOP.....27
 LEAD, GROUND.....13
 LEAD, IGNITION.....13
 LEVER, BRAKE.....15
 LEVER, FAST IDLE.....7
 LEVER, METERING.....7
 LEVER, THROTTLE.....7
 LID, AIR CLEANER.....5
 LOCKING BAR -- 5X120mm.....29
 LOCKOUT, THROTTLE.....25
 L-WRENCH -- 3mm.....29
 L-WRENCH -- 4mm.....29
 L-WRENCH -- 5mm.....29

M

MUFFLER.....9

N

NEEDLE, MIXTURE ADJUSTMENT.....7
 NUT.....5

O

OIL SEAL.....23

O-RING.....21
 O-RING 22.....5

P

PAWL.....11
 PIN, METERING LEVER.....7
 PIN, PISTON.....23
 PIPE.....5, 21, 25
 PIPE, FUEL.....5
 PIPE, PRIMER - 3X5X200.....5
 PIPE, RETURN - 3X5X110.....5
 PISTON KIT.....23
 PLATE, CLUTCH.....19
 PLATE, GUIDE.....15
 PLATE, INSULATOR.....5
 PLATE, SPROCKET GUARD.....15
 PLUG.....25
 PLUG, COVER.....5
 PLUG, FRICTION.....7
 PLUG, WELCH.....7
 PUMP, PRIMER.....5

R

REAR HANDLE SET.....25
 REEL, ROPE.....11
 REPAIR KIT.....7
 REWIND SPRING KIT.....11
 RING, PISTON.....23
 ROD, THROTTLE.....5
 ROLLER.....15
 ROPE, STARTER - 3.5X900mm.....11

S

SAWING CHAIN - 16" -- Low Profile.....17
 SAWING CHAIN - 18" -- Low Profile.....17
 SCREEN.....9
 SCREEN, INLET.....7
 SCREW.....11, 25
 SCREW 3X6.....15
 SCREW 4.....15
 SCREW 4X12.....21
 SCREW 4X14.....25
 SCREW 4X20.....25
 SCREW 4X8.....9
 SCREW 5X14.....5, 11
 SCREW 5X16.....15, 25
 SCREW 5X20.....5, 11, 13, 15, 25
 SCREW 5X22.....23
 SCREW 5X30.....23
 SCREW 5X50.....5
 SCREW, CHOKE VALVE.....7
 SCREW, CLIP.....7
 SCREW, IDLE ADJUST.....7
 SCREW, METERING DIAPHRAGM COVER.....7
 SCREW, METERING LEVER PIN.....7
 SCREW, PUMP COVER.....7
 SCREW, THROTTLE LEVER.....7
 SCREW, THROTTLE VALVE.....7
 SCREWDRIVER -- 125mm.....29
 SCREWDRIVER -- 50mm.....29
 SHAFT, CHOKE.....7
 SHAFT, THROTTLE.....7
 SHORT BLOCK.....23
 SPACER.....11, 13, 15
 SPACER, PISTON PIN.....23



Part Description Index (continued)

SPANNER -- 10mm.....29
SPANNER -- 17X19mm.....29
SPANNER -- 8X10mm.....29
SPARK PLUG -- BPM-8Y.....13
SPARK PLUG -- BPMR-8Y.....13
SPRING.....11, 15
SPRING PIN 4X30.....25
SPRING, CHOKE RETURN.....7
SPRING, CLUTCH.....19
SPRING, IDLE ADJUST.....7
SPRING, METERING LEVER.....7
SPRING, RETURN.....11
SPRING, THROTTLE RETURN.....7
SPRING, TRIGGER RETURN.....25
STARTER ASY.....11
STUD, GUIDE BAR.....25
SWITCH, IGNITION.....5

T

TAPPING SCREW 4X12.....15
TENSIONER, CHAIN.....15
TERMINAL, LEAD - GROUND.....5
TERMINAL, SPARK PLUG CAP.....13
TRIGGER, THROTTLE.....25
TUBE.....5

V

VALVE, CHECK.....25
VALVE, CHOKE.....7
VALVE, INLET NEEDLE.....7
VALVE, THROTTLE.....7
VENT ASY.....25

W

WASHER.....5, 7, 15
WASHER 5.....11
WASHER, CLUTCH.....19
WOODRUFF KEY.....13
WRENCH/SCREWDRIVER -- 10X19mm.....29
WRENCH/SCREWDRIVER -- 13X19mm.....29
WRENCH/SCREWDRIVER -- 17X19mm.....29

NOTES



ECHO, INCORPORATED

400 Oakwood Road
Lake Zurich, IL 60047 USA

WWW.ECHO-USA.COM
