



AVAILABLE ATTACHMENTS & ACCESSORIES

Accessories

103942147	CS Carry Bag
89850308032	Bar & Chain Cover - 17"
89850308033	Bar & Chain Cover - 20"
99988800308	CS Lanyard Strap w_Ring
99988801205	CS Fixed Nose Case

Guide Bars

16A0AD3366	Guide Bar - 16" (.050" Ga) -- ProAm Double Guard
18A0AD3372	Guide Bar - 18" (.050" Ga) -- ProAm Double Guard
20A0AD3378	Guide Bar - 20" (.050" Ga) -- ProAm Double Guard

Sawing Chains

33SL66G	Sawing Chain - 16" (.050" Ga) -- Pro Guard
33SL72G	Sawing Chain - 18" (.050" Ga) -- Pro Guard
33SL78G	Sawing Chain - 20" (.050" Ga) -- Pro Guard

PARTS CATALOG

CS-440 Chain Saw

43.6cc

SERIAL NUMBERS

S/N: C07013001001 - C07013999999

ECHO, INCORPORATED

400 Oakwood Road Lake Zurich, Illinois 60047 USA

WWW.ECHO-USA.COM



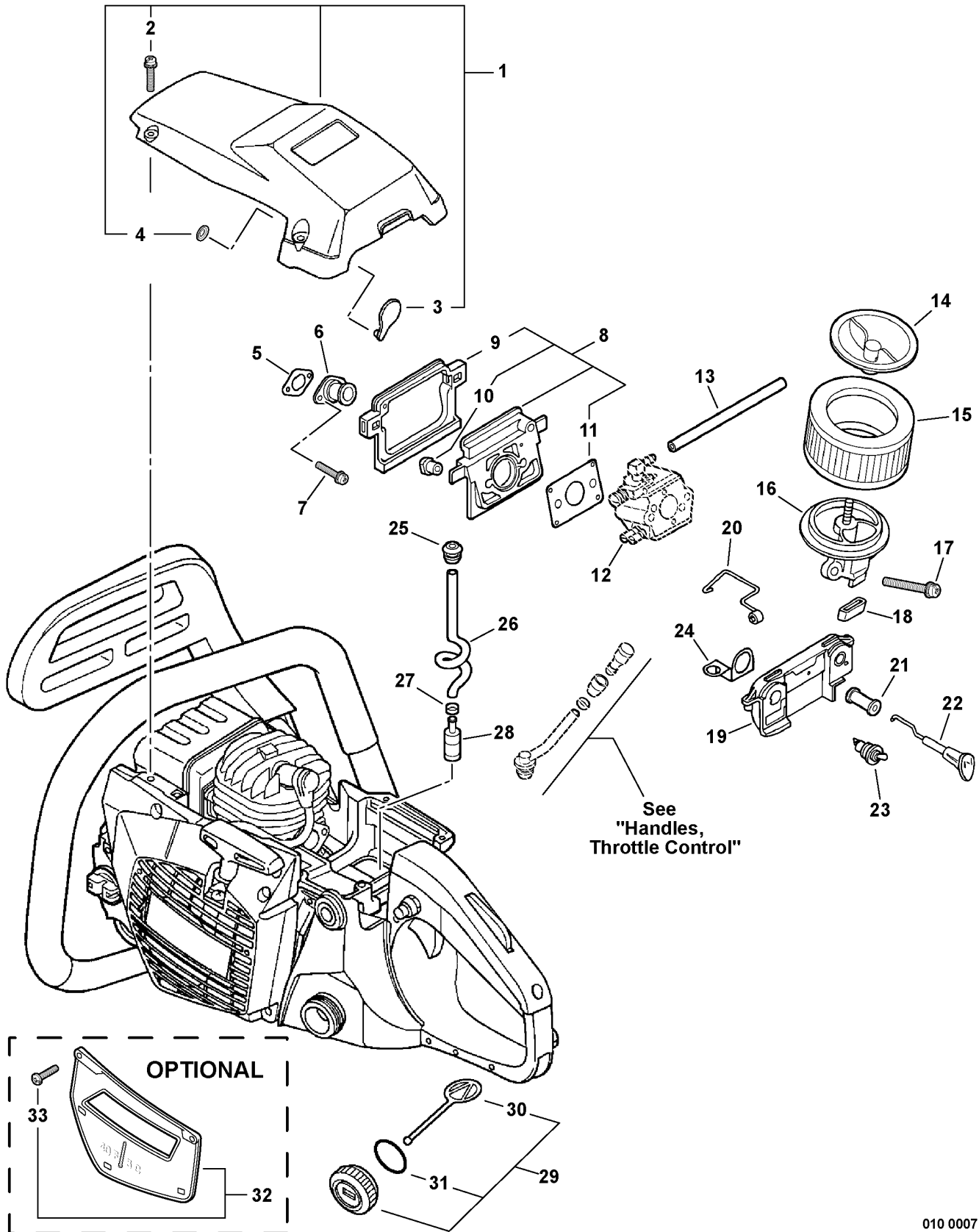
Table of Contents

Click Any Diagram Description Below To View That Diagram.

CS-440 S/N: C07013001001 - C07013999999

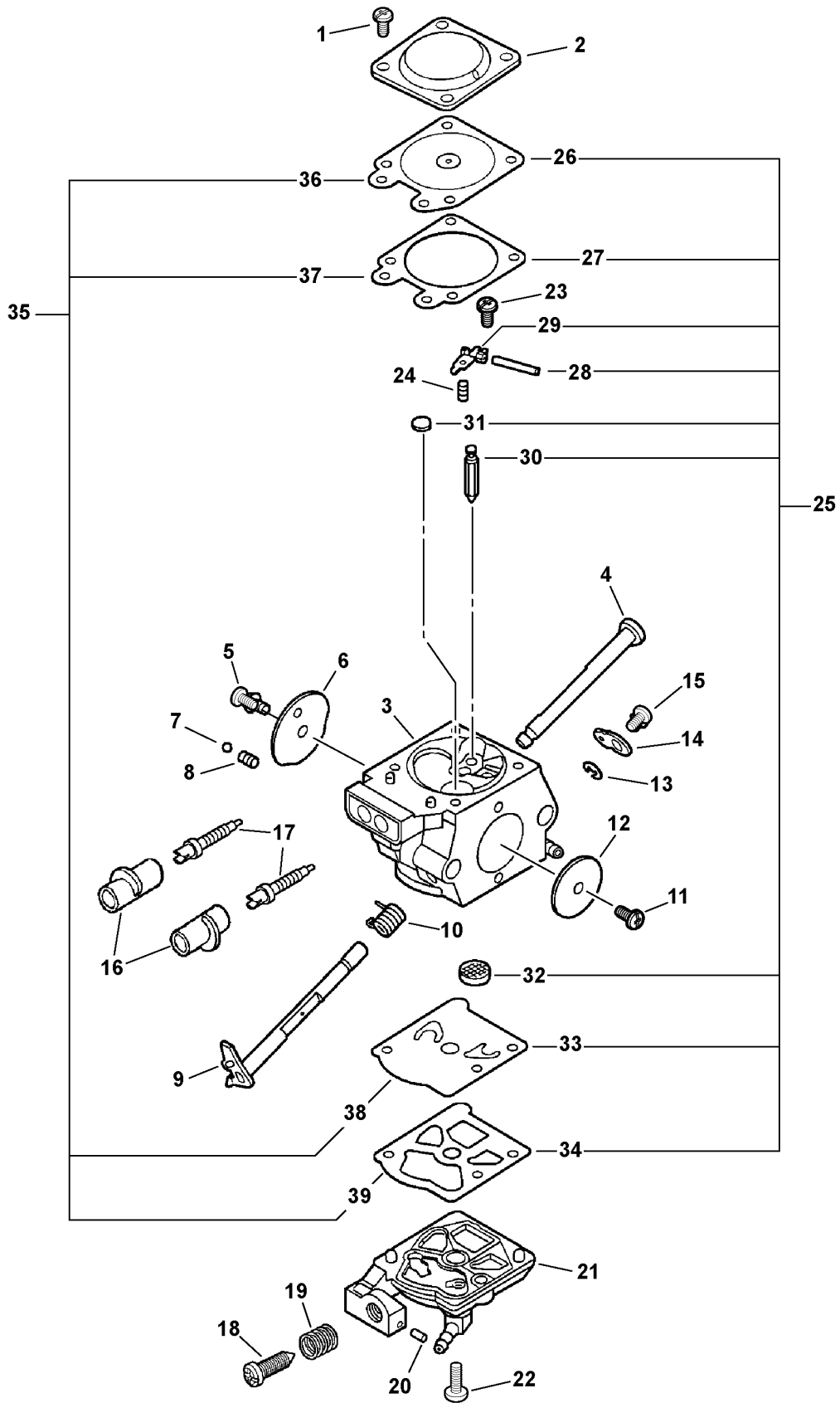
Cylinder Cover, Intake, Fuel System, Ignition Switch.....	4
Carburetor -- WT-416C.....	6
Exhaust.....	8
Starter.....	10
Ignition.....	12
Guide Bar, Sawing Chain, Kick Guard.....	14
Chain Brake.....	16
Clutch.....	18
Handles, Throttle Control.....	20
Auto-Oiler, Oil Tank.....	22
Engine, Short Block -- SB1082, Engine Cover.....	24
Labels.....	26
Tools.....	28
Part Number Index.....	30
Part Description Index.....	31

This Page Intentionally Left Blank



010 0007 000

ITEM	PART NUMBER	QTY	DESCRIPTION	REMARKS
1	P021006570	1	CYLINDER COVER ASY	INCLUDES ITEMS 2-4
2	16389038330	3	SCREW 5	
3	10157938330	1	PLATE, WIND PROOF	
4	90058000004	1	PUSH, RING	
5	13001639930	1	GASKET, INTAKE	
6	13051039932	1	ADAPTER, INTAKE	
7	90023805012	2	SCREW 5X12	
8	13000038330	1	INSULATOR KIT	INCLUDES ITEMS 9-11
9	13036638330	1	CUSHION	
10	13002033330	2	NUT	
11	13001038330	1	GASKET, INTAKE	
12	12300039333	1	CARBURETOR -- WT-416C	
13	13011038330	1	PIPE, IMPULSE	
14	13040538331	1	CAP, AIR CLEANER	
15	13031038331	1	FILTER, AIR	
16	13030138332	1	ELBOW, CARBURETOR	
17	90016205050	2	SCREW 5X50	
18	13043038330	1	CUSHION	
19	16381038932	1	BRACKET	
20	17801138331	1	ROD, THROTTLE	
21	17881014532	1	GROMMET	
22	17851038330	1	ROD, CHOKE	
23	16340038330	1	SWITCH, IGNITION	
24	16341338930	1	TERMINAL, SWITCH	
25	13211504920	1	GROMMET	
26	13201038331	1	PIPE, FUEL	
27	13201326630	1	CLIP	
28	13120519830	1	FILTER, FUEL	
29	13100437931	1	FUEL TANK CAP ASY	INCLUDES ITEMS 30-31
30	A365000050	1	RETAINER, CAP	
31	90072000022	1	O-RING 22	
32	P021008860	1	SNOW SHIELD KIT	OPTIONAL
33	90023504014	2	SCREW 4X14	

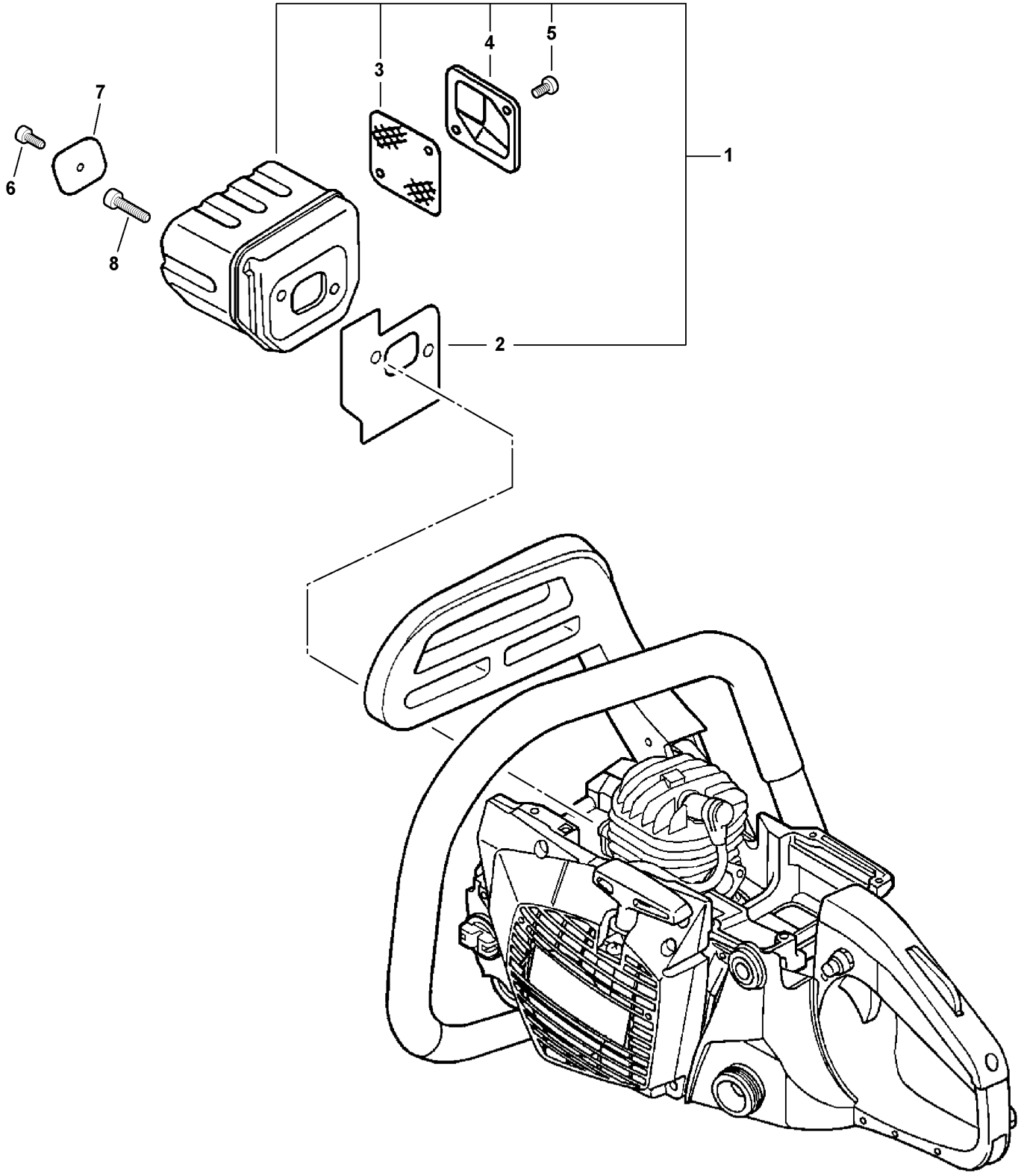


WT416C 0000 000

ITEM	PART NUMBER	QTY	DESCRIPTION	REMARKS
	12300039333	1	CARBURETOR -- WT-416C	
1	12313002960	4	SCREW, METERING DIAPHRAGM COVER	
2	12314203930	1	COVER, METERING DIAPHRAGM	
3	-----	1	BODY, CARBURETOR ¹	
4	12313135430	1	SHAFT, CHOKE	
5	12311433830	1	SCREW, CHOKE VALVE	
6	12313237330	1	VALVE, CHOKE	
7	12313610630	1	BALL, CHOKE FRICTION	
8	12313510630	1	SPRING, CHOKE FRICTION BALL	
9	12311739330	1	SHAFT, THROTTLE	
10	12311337530	1	SPRING, THROTTLE RETURN	
11	12311433830	1	SCREW, THROTTLE VALVE	
12	12311610530	1	VALVE, THROTTLE	
13	12312715030	1	CLIP, THROTTLE SHAFT	
14	12315038330	1	LEVER, THROTTLE	
15	12311433830	1	SCREW, THROTTLE LEVER	
16	P003000010	2	CAP, MIXTURE LIMITER	
17	12312003661	2	NEEDLE, ADJUSTMENT	
18	12313404260	1	SCREW, IDLE ADJUST	
19	12313304260	1	SPRING, IDLE ADJUST	
20	12317815030	1	PLUG, FRICTION	
21	12312438330	1	COVER, FUEL PUMP	
22	12311003930	1	SCREW, PUMP COVER	
23	12313903930	1	SCREW, METERING LEVER PIN	
24	12312239330	1	SPRING, METERING LEVER	
25	12310037330	1	REPAIR KIT	INCLUDES ITEM 26-34
26	-----	1	DIAPHRAGM, METERING	
27	-----	1	GASKET, METERING DIAPHRAGM	
28	-----	1	PIN, METERING LEVER	
29	-----	1	LEVER, METERING	
30	-----	1	VALVE, INLET NEEDLE	
31	-----	1	PLUG, WELCH	
32	-----	1	SCREEN, INLET	
33	-----	1	DIAPHRAGM, FUEL PUMP	
34	-----	1	GASKET, FUEL PUMP	
35	12310137330	1	DIAPHRAGM/GASKET KIT	INCLUDES ITEM 36-39
36	-----	1	DIAPHRAGM, METERING	
37	-----	1	GASKET, METERING DIAPHRAGM	
38	-----	1	DIAPHRAGM, FUEL PUMP	
39	-----	1	GASKET, FUEL PUMP	

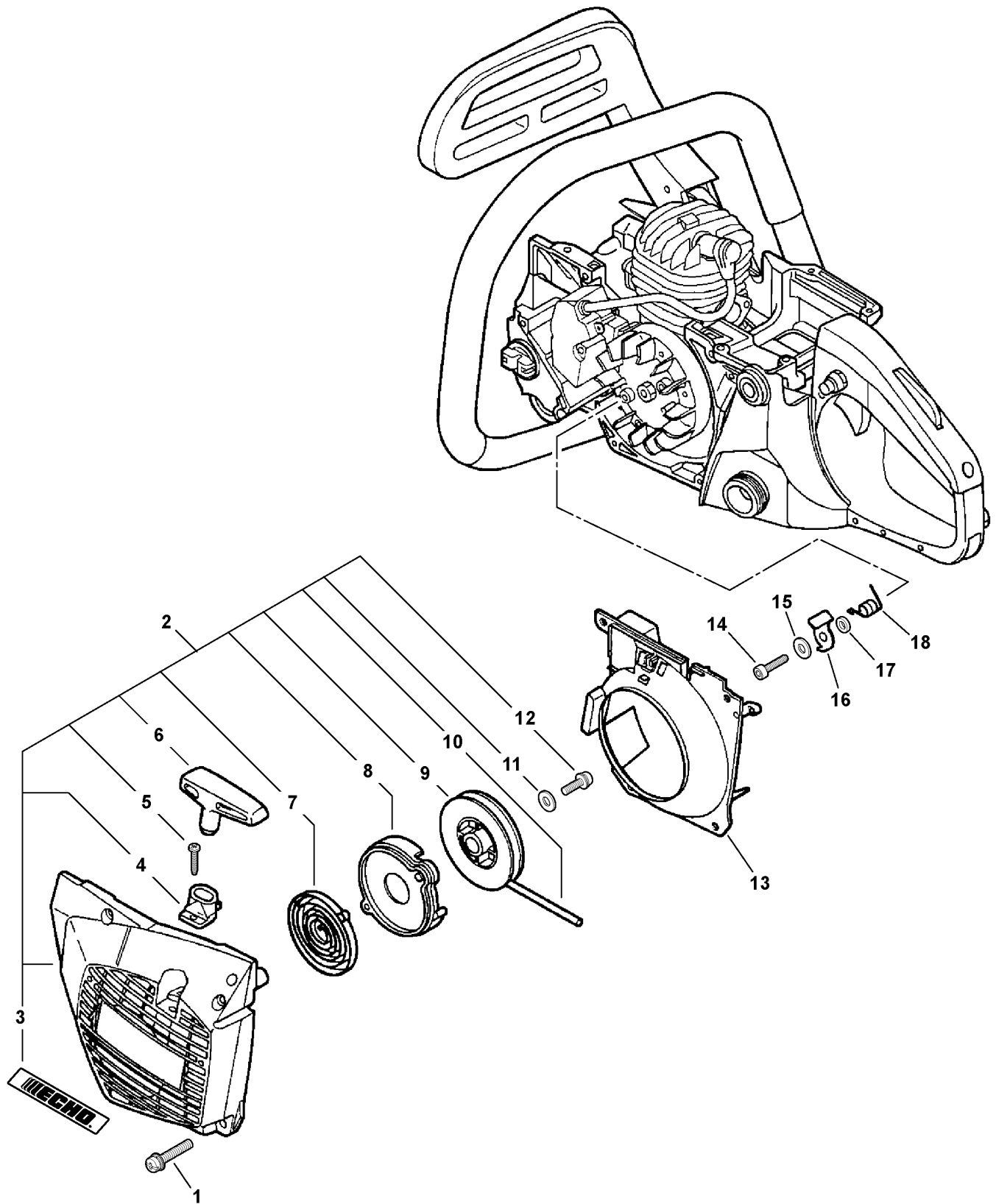
Footnotes

1: NOT AVAILABLE SEPARATELY



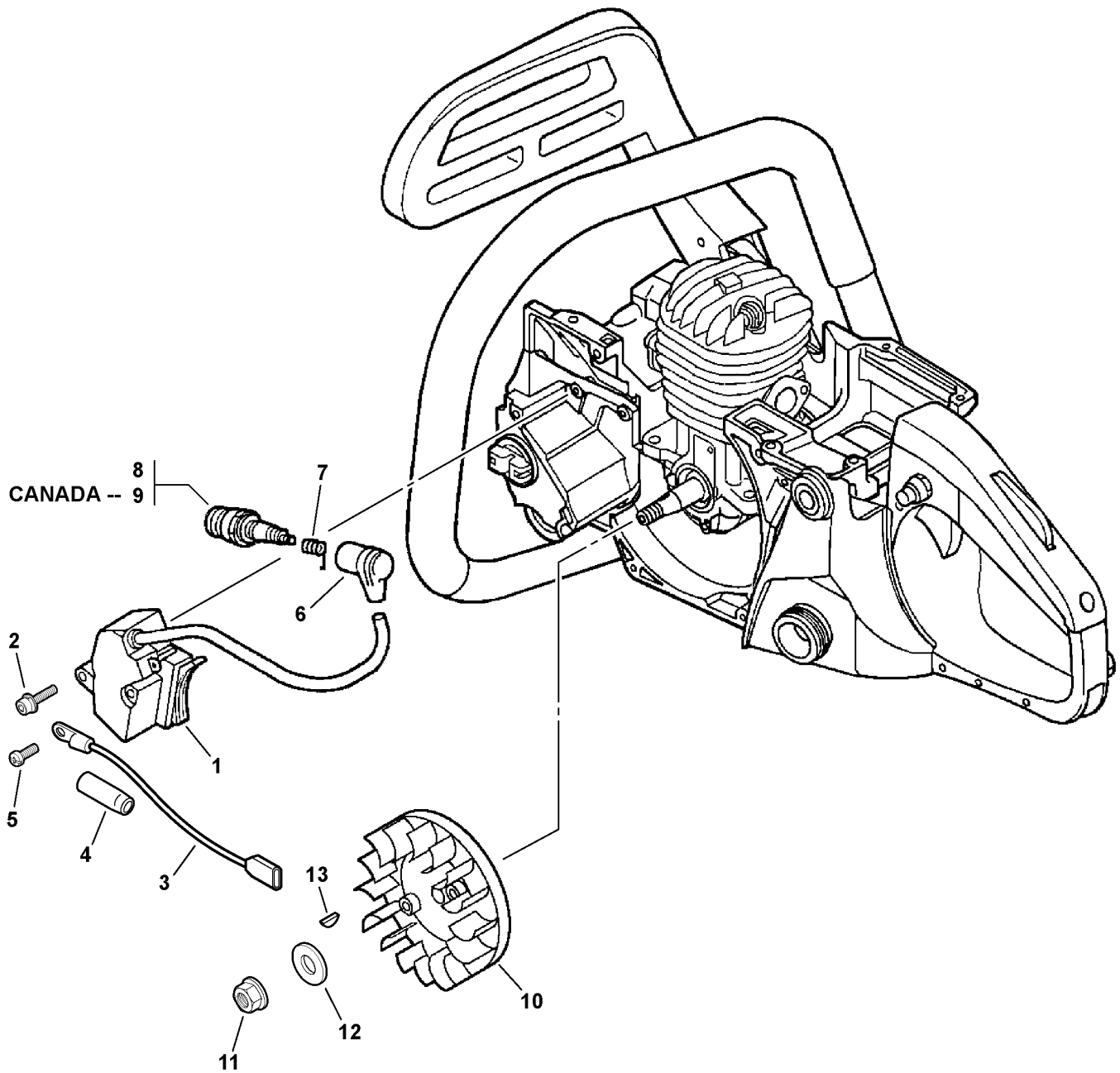
011 0006 000

ITEM	PART NUMBER	QTY	DESCRIPTION	REMARKS
1	P021006591	1	MUFFLER ASY	INCLUDES ITEMS 2-5
2	V104000580	1	GASKET, EXHAUST	
3	14588439330	1	SCREEN	
4	A303000050	1	GUIDE, EXHAUST	
5	90025004008	2	SCREW 4X8	
6	90010504006	1	SCREW 4X6	
7	14571160631	1	PLATE	
8	90010505014	2	SCREW 5X14	



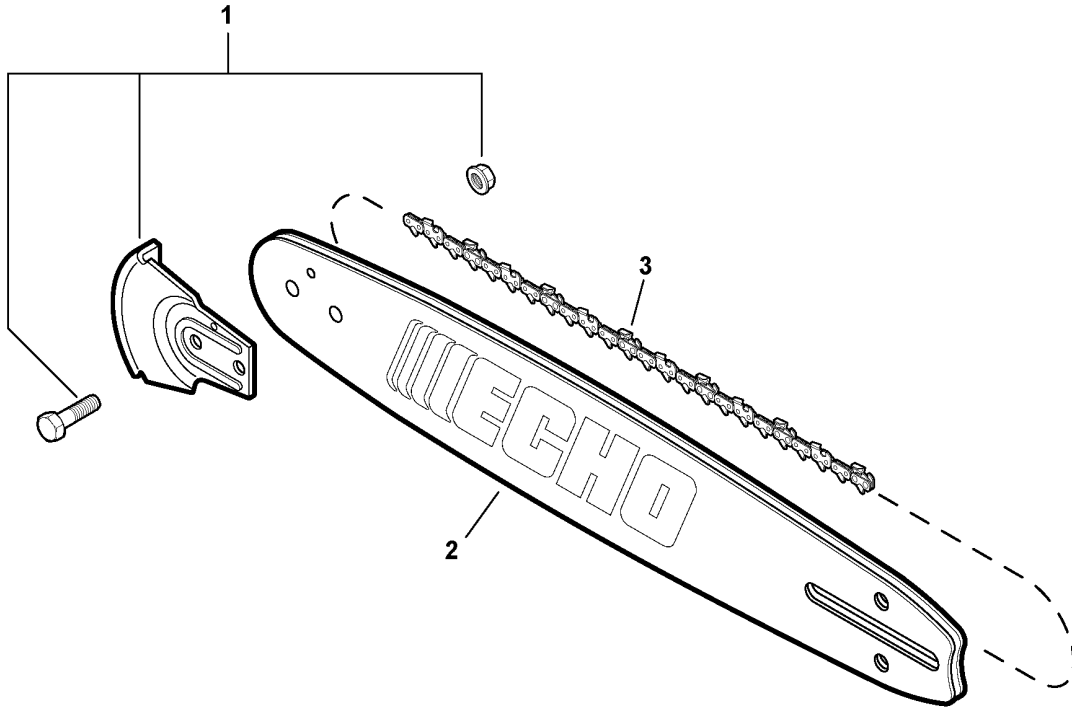
015 0005 000

ITEM	PART NUMBER	QTY	DESCRIPTION	REMARKS
1	90023805018	4	SCREW 5X18	
2	17720039335	1	STARTER ASY	INCLUDES ITEMS 3-12
3	X502000010	1	LABEL - ECHO	
4	17722737930	1	GUIDE, ROPE	
5	90029603014	1	SCREW 3X14	
6	17722835430	1	GRIP, STARTER	
7	17722035430	1	SPRING, REWIND	
8	17722138330	1	PLATE, STARTER	
9	17721538330	1	DRUM, STARTER	
10	17722638330	1	ROPE, STARTER - 3.5X 960mm	REPOWER BULK OPTION: 99944445000
11	17721402830	1	WASHER	
12	90023805012	1	SCREW 5X12	
13	A172000062	1	COVER, FAN	
14	V203000090	2	SCREW 5X14	
15	90060300005	2	WASHER 5	
16	17721819830	2	PAWL, STARTER	
17	17724704630	2	SPACER	
18	17723435430	2	SPRING, RETURN	



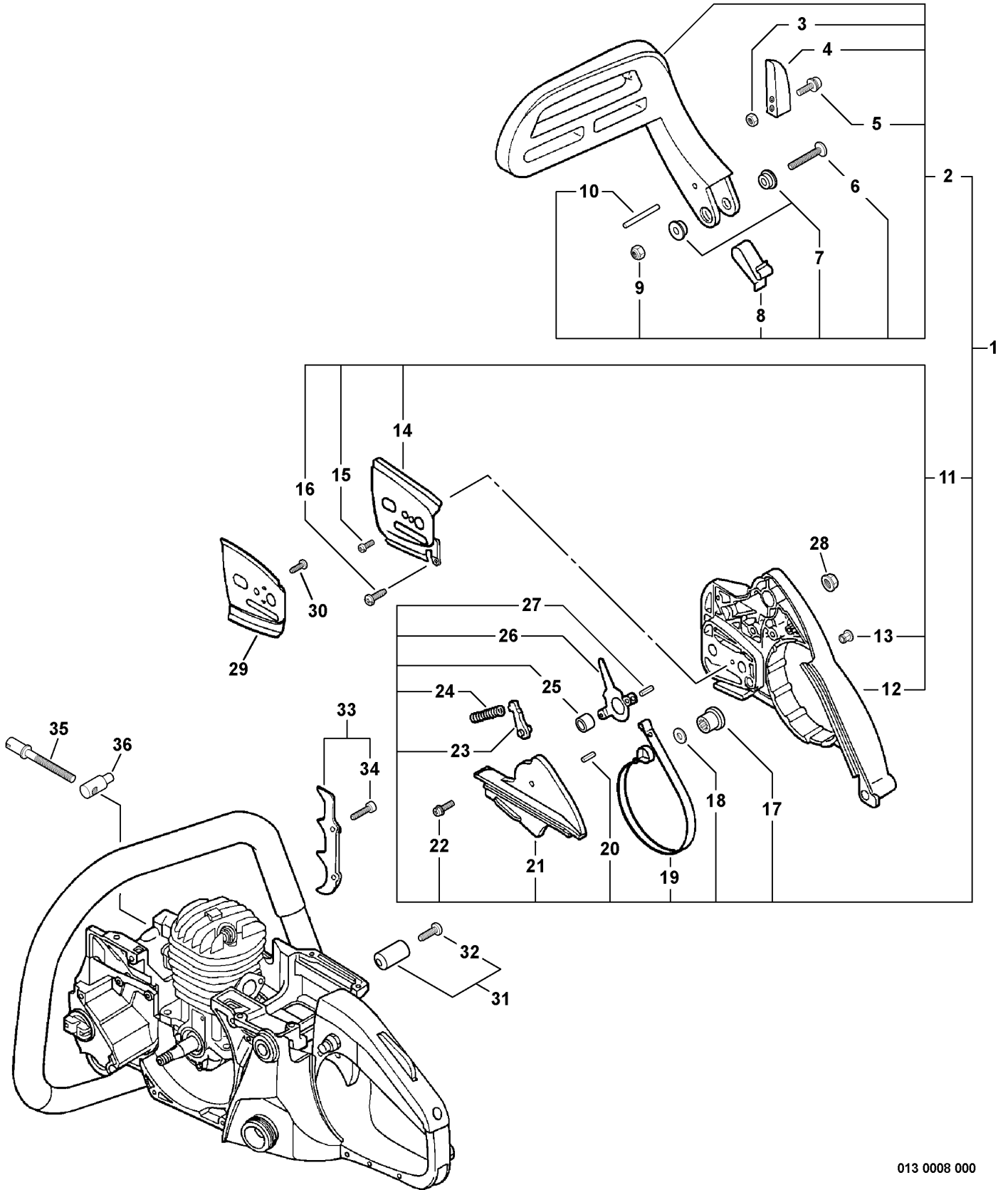
018 0006 000

ITEM	PART NUMBER	QTY	DESCRIPTION	REMARKS
1	A411000180	1	COIL, IGNITION	
2	90016204030	2	SCREW 4X30	
3	16201038331	1	LEAD, GROUND	
4	C483000000	1	BOOT, CONNECTOR	
5	90022004006	1	SCREW 4X6	
6	15901201620	1	CAP, SPARK PLUG	
7	15901103432	1	TERMINAL, SPARK PLUG CAP	
8	15901019830	1	SPARK PLUG -- BPM-8Y	
9	A425000000	1	SPARK PLUG -- BPMR-8Y	CANADA MODELS
10	A409000080	1	FLYWHEEL	
11	90050000008	1	NUT 8	
12	90060500008	1	SPRING WASHER 8	
13	10014239130	1	WOODRUFF KEY	



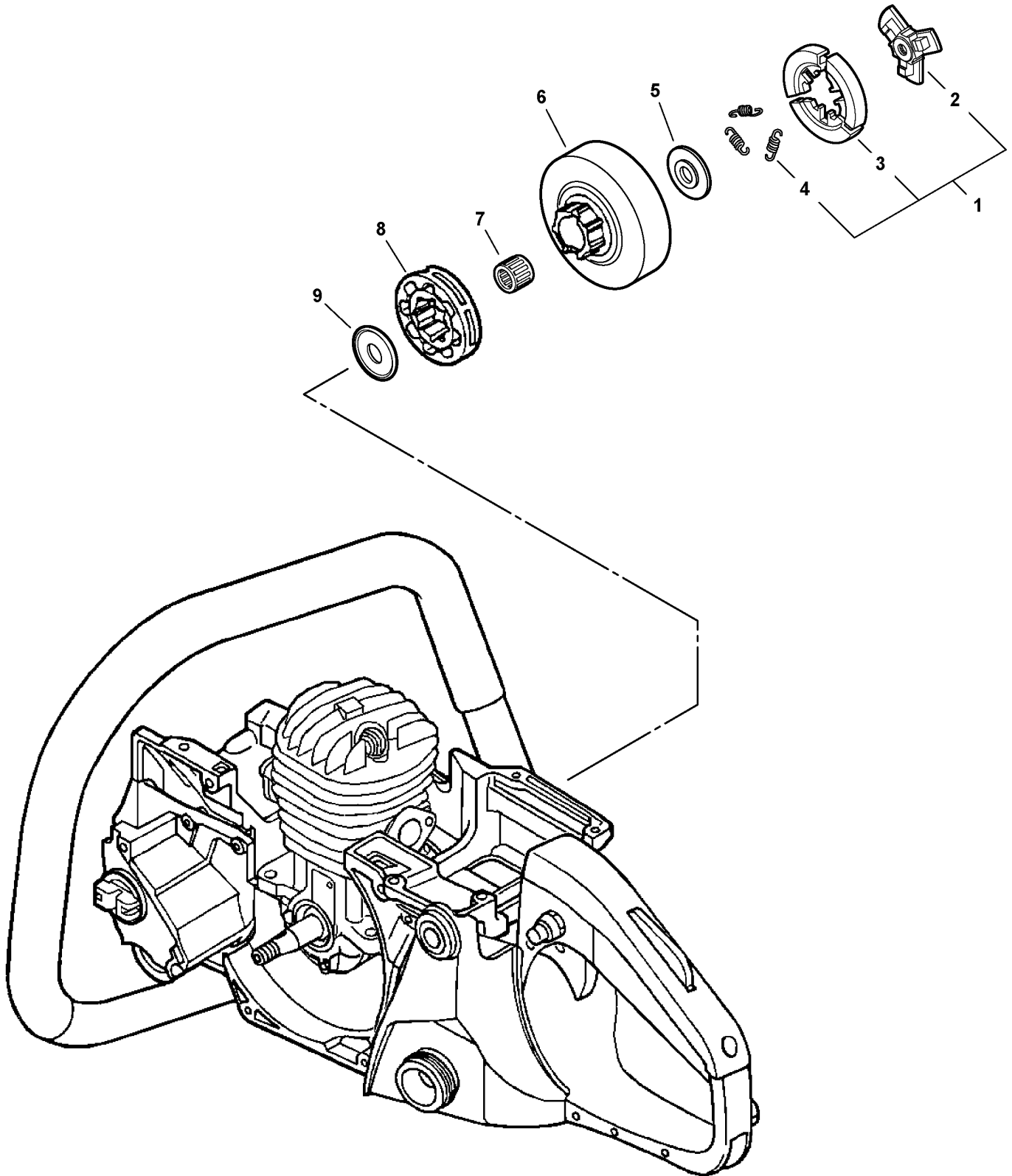
016 0007 000

ITEM	PART NUMBER	QTY	DESCRIPTION	REMARKS
1	2893201	1	KICK GUARD KIT	
2	16A0AD3366	1	GUIDE BAR - 16" -- ProAm Double Guard	GAUGE: .050"
2	18A0AD3372	1	GUIDE BAR - 18" -- ProAm Double Guard	GAUGE: .050"
2	20A0AD3378	1	GUIDE BAR - 20" -- ProAm Double Guard	GAUGE: .050"
3	33SL66G	1	SAWING CHAIN - 16" -- Pro Guard	GAUGE: .050" / PITCH: .325"
3	33SL72G	1	SAWING CHAIN - 18" -- Pro Guard	GAUGE: .050" / PITCH: .325"
3	33SL78G	1	SAWING CHAIN - 20" -- Pro Guard	GAUGE: .050" / PITCH: .325"



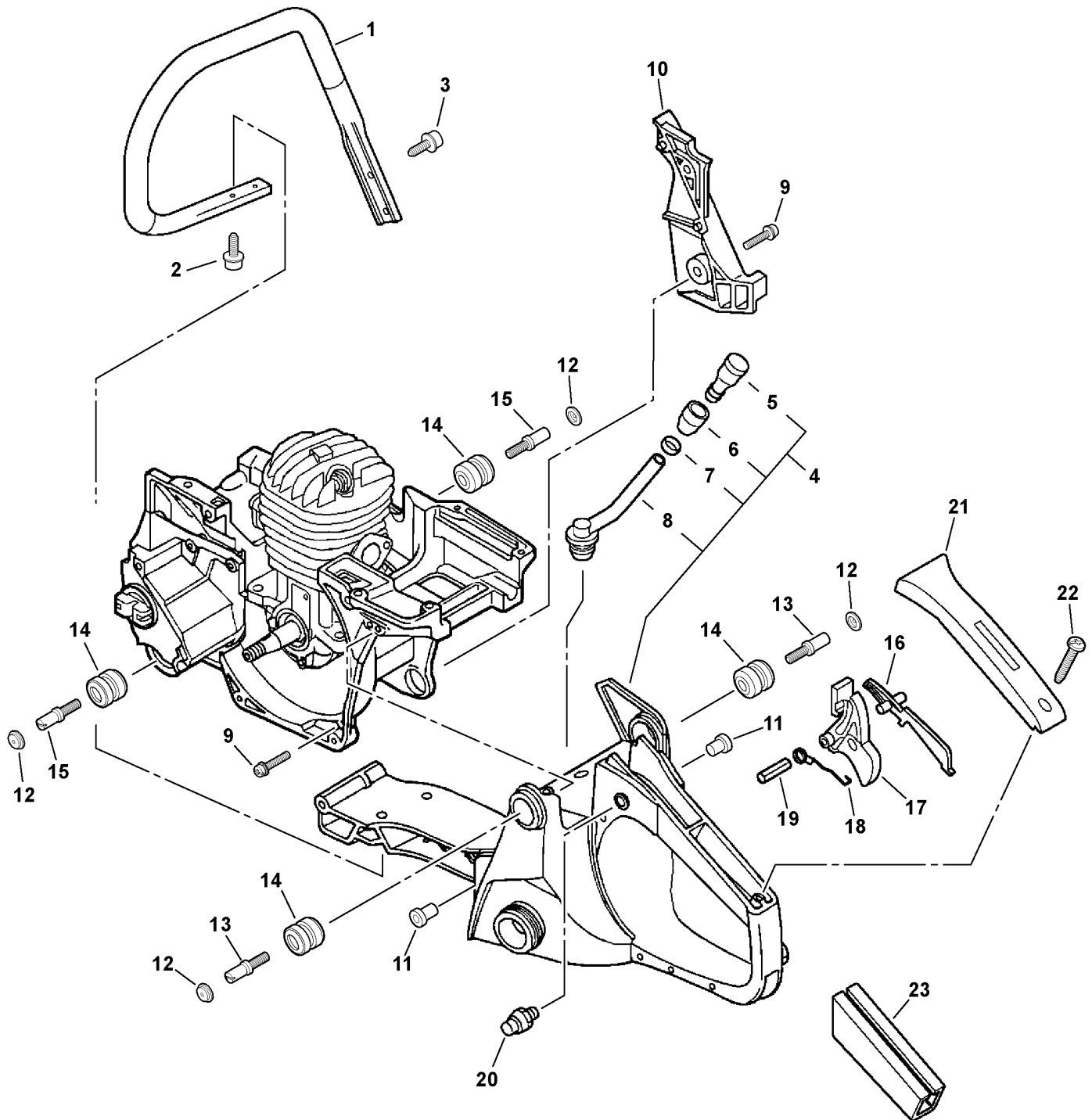
013 0008 000

ITEM	PART NUMBER	QTY	DESCRIPTION	REMARKS
1	43310039037	1	CHAIN BRAKE ASY	INCLUDES ITEMS 2-27
2	43320139031	1	BRAKE LEVER ASY	INCLUDES ITEMS 3-10
3	90050000004	2	NUT 4	
4	43317139330	1	WEIGHT, BRAKE	
5	90023804018	2	SCREW 4X18	
6	9131805032	1	SCREW 5X32	
7	43316739130	2	SPACER	
8	43311438331	1	SPRING	
9	90056250005	1	LOCKNUT	
10	90033030240	1	PIN 3X24	
11	P021001280	1	SPROCKET GUARD ASY	INCLUDES ITEMS 12-16
12	43300539333	1	GUARD, SPROCKET	
13	V162000020	1	PLUG	
14	C305000001	1	PLATE, SPROCKET GUARD	
15	90022003006	1	SCREW 3X6	
16	90025304010	1	SCREW 4X10	
17	43314235430	1	ADJUSTER, BRAKE	
18	V304000090	1	WASHER	
19	C328000060	1	BAND, BRAKE	
20	90034225012	1	SPRING PIN 2.5X12	
21	43331039330	1	COVER, BRAKE	
22	90025304010	1	SCREW 4X10	
23	43320935430	1	STOPPER, BRAKE	
24	43312235430	1	SPRING, BRAKE	
25	43311538330	1	WASHER 5.2X12X14	
26	43320835431	1	LEVER, BRAKE	
27	90033040088	1	ROLLER 4X8.8	
28	43301912330	2	FLANGE NUT 8	
29	43301335431	1	PLATE, GUIDE - INNER	
30	90022004006	1	SCREW 4X6	
31	43300019831	1	CHAIN CATCHER KIT	INCLUDES ITEM 32
32	90022005018	1	SCREW 5X18	
33	88020038330	1	SPIKED BUMPER KIT	
34	90010505012	2	SCREW 5X12	
35	43301638330	1	SCREW, TENSIONER	
36	43301419830	1	TENSIONER	



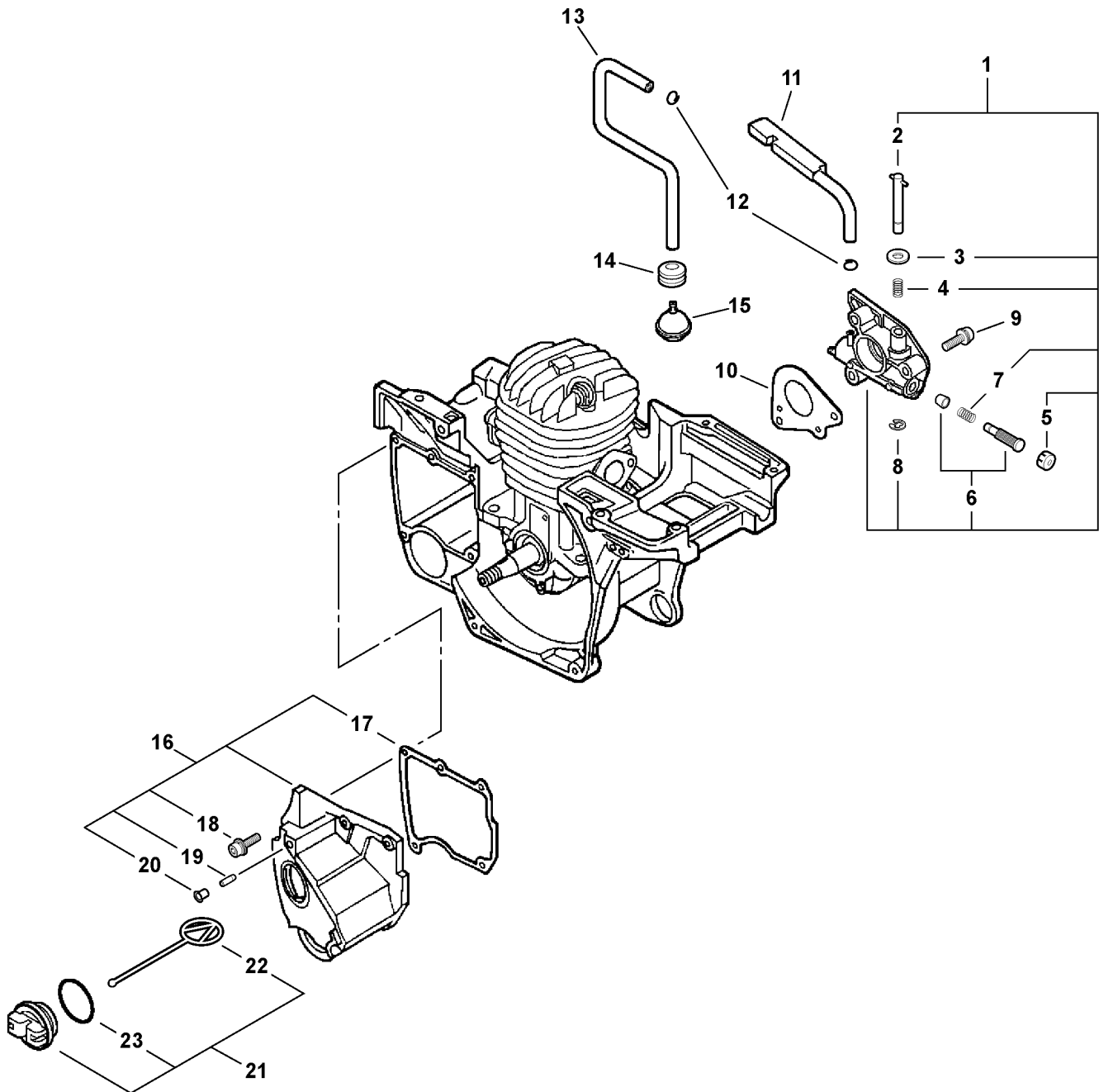
014 0005 CAN

ITEM	PART NUMBER	QTY	DESCRIPTION	REMARKS
1	A056000120	1	CLUTCH ASY	INCLUDES ITEMS 2-4
2	A552000060	1	HUB, CLUTCH	
3	P021007050	1	CLUTCH SHOE SET	
4	V451000500	3	SPRING, CLUTCH	
5	17501939430	1	PLATE, CLUTCH	
6	17510535430	1	DRUM, CLUTCH	
7	17501214630	1	BEARING, NEEDLE	
8	17511412530	1	SPROCKET, RIM	
9	17501938330	1	PLATE, CLUTCH	



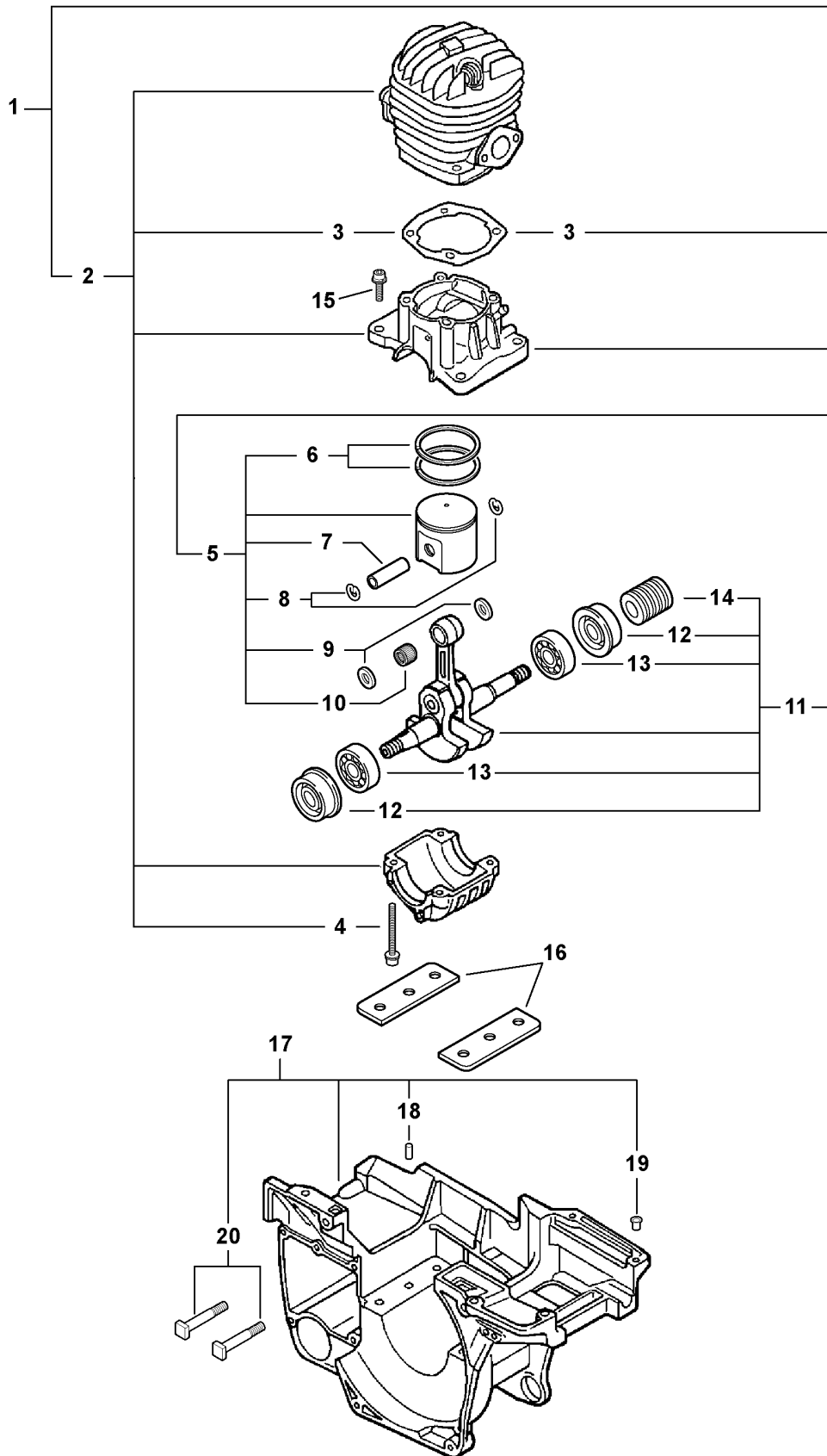
012 0006 000

ITEM	PART NUMBER	QTY	DESCRIPTION	REMARKS
1	35160638330	1	HANDLE, FRONT	
2	9114505016	2	SCREW 5X16	
3	9114505020	2	SCREW 5X20	
4	P021006600	1	REAR HANDLE ASY	INCLUDES ITEMS 5-8
5	A356000030	1	VENT ASY	
6	13132840630	1	COVER, VENT	
7	13201326630	1	CLIP	
8	13201239330	1	PIPE, W/GROMMET	
9	90023805016	3	SCREW 5X16	
10	43304539332	1	COVER	
11	10091038330	2	CUSHION	
12	10091838330	4	CAP, CUSHION	
13	10091532530	2	SCREW	
14	10092138330	4	CUSHION	
15	10091533930	2	SCREW	
16	17809037930	1	LOCKOUT, THROTTLE CONTROL	
17	C450000000	1	TRIGGER, THROTTLE	
18	17804335430	1	SPRING, THROTTLE RETURN	
19	90034540030	1	SPRING PIN 4X30	
20	17830237930	1	LATCH, THROTTLE	
21	35115535430	1	COVER, HANDLE	
22	90025304014	1	SCREW 4X14	
23	35111119830	1	GRIP, HANDLE	



017 0005 000

ITEM	PART NUMBER	QTY	DESCRIPTION	REMARKS
1	43700238330	1	AUTO-OILER ASY	INCLUDES ITEMS 2-8
2	43701638330	1	NEEDLE, ADJUST	
3	43702937330	1	WASHER	
4	43701537330	1	SPRING	
5	43706238330	1	CAP, OIL PUMP	
6	43702437330	1	PLUNGER	
7	43701938330	1	SPRING	
8	12312715030	1	CIRCLIP	
9	90022304016	2	SCREW 4X16	
10	17531038330	1	PLATE, SEAL	
11	43722938331	1	PIPE, OIL DISCHARGE	
12	13201326630	2	CLIP	
13	43721038330	1	PIPE, FUEL	
14	13211512330	1	GROMMET	
15	43620514730	1	FILTER, OIL	
16	43600539332	1	OIL TANK ASY	INCLUDES ITEMS 10-13
17	43601938330	1	GASKET, OIL TANK	
18	90016304016	3	SCREW 4X16	
19	43611413930	1	VALVE, CHECK	
20	43601838330	1	COLLAR	
21	43600165631	1	OIL TANK CAP ASY	INCLUDES ITEMS 15-16
22	A365000050	1	CONNECTOR, FUEL CAP	
23	90072502025	1	O-RING	



SB1082 0001 000

ITEM	PART NUMBER	QTY	DESCRIPTION	REMARKS
1	SB1082	1	SHORT BLOCK ¹	INCLUDES ITEM 2-14
2	P021006561	1	CRANKCASE SET	INCLUDES ITEM 3-4
3	V100000131	1	GASKET, CYLINDER	
4	90016205055	4	SCREW 5X55	
5	P021006551	1	PISTON KIT	INCLUDES ITEMS 6-10
6	10001133730	2	RING, PISTON	
7	V607000000	1	PIN, PISTON	
8	10001503931	2	CIRCLIP, PISTON PIN	
9	10001235430	1	BEARING, NEEDLE	
10	10001419730	2	SPACER, PISTON PIN	
11	P021006541	1	CRANKSHAFT ASY	INCLUDES ITEMS 12-14
12	V505000010	2	SEAL, OIL	
13	9403536201	2	BEARING, BALL - 6201	
14	43706338330	1	GEAR, WORM	
15	90016205022	4	SCREW 5X22	
16	V150001740	2	EYE PLATE	
17	P021003100	1	COVER, ENGINE	INCLUDES ITEMS 18-20
18	V622000020	2	DOWEL PIN	
19	43601838330	2	COLLAR	
20	43301119830	2	STUD, GUIDE BAR	

Footnotes

1: OPTIONAL ENGINE REPOWER



WARNING
 Note: Lorem ipsum dolor sit amet, consectetur adipiscing elit, sed diam nonummy neusmod tincidunt ut laoreet dolomagna aliquam erat volutpat. Ut wisi enim ad minim veniam, quis nostrud exerci tation ullamcorper suscipit.
 Cobortis risi ut aliquip ex. elit, sed nonummy neusmod tincidunt ut laoreet doloremagna aliquam erat volutpat. Ut wisi enim ad minim veniam, quis nostrud exerci tation ullamcorper suscipit dolomagna quis aliquam erat volutpat lobortis risi ut aliquip ex.



ATTENTION
 Lorem ipsum dolor sit amet, consectetur adipiscing elit, sed diam nonummy neusmod tincidunt ut laoreet dolomagna aliquam erat volutpat. Ut wisi enim ad minim veniam, quis nostrud exerci tation ullamcorper suscipit dolomagna quis aliquam erat volutpat lobortis risi ut aliquip ex.

CAUTION/ATTENTION
 Lorem ipsum dolor sit amet, consectetur adipiscing elit, sed diam nonummy neusmod tincidunt ut laoreet dolomagna aliquam erat volutpat. Ut wisi enim ad minim veniam, quis nostrud exerci tation ullamcorper suscipit dolomagna quis aliquam erat volutpat lobortis risi ut aliquip ex.

TO AVOID KICKBACK
 1. Contact of the guide bar tip with any object should be avoided.
 2. Tip contact may cause the guide bar to move suddenly up and back which may cause serious injury.
 3. Always use two hands when operating chain saw.

POUR EVITER LES REBONDISSEMENTS
 1. Eviter le contact de la pointe de la barre avec un objet.
 2. Le contact de la pointe de la barre peut provoquer un mouvement soudain de la barre vers le haut et vers l'arrière, ce qui peut causer de graves blessures.
 3. Toujours utiliser les deux mains lors de l'utilisation de la scie à chaîne.

**REPLACEMENT BAR AND CHAIN
 REMPLACEMENT DU GUIDE ET DE LA CHAÎNE**

GUIDE BAR P/NO.	CHAIN TYPE	CKA
16" 18A0ED3366	OREGON 33SL 66	11.5
18" 18A0ED3372	OREGON 33SL 72	30.6
20" 20A0AD3378	OREGON 33SL 78	25.0

CKA means Computed Kickback Angle
 CKA Signifie angle de rebondissement calcule
 Note: Lorem ipsum dolor sit amet, consectetur adipiscing elit, sed diam nonummy neusmod tincidunt ut laoreet dolomagna aliquam erat volutpat. Ut wisi enim ad minim veniam, quis nostrud exerci tation ullamcorper suscipit dolomagna quis aliquam erat volutpat lobortis risi ut aliquip ex.
 REMARQUE: Lorem ipsum dolor sit amet, consectetur adipiscing elit, sed diam nonummy neusmod tincidunt ut laoreet dolomagna aliquam erat volutpat. Ut wisi enim ad minim veniam, quis nostrud exerci tation ullamcorper suscipit dolomagna quis aliquam erat volutpat lobortis risi ut aliquip ex.

CS-440
 Caution: This saw shall be used only by certified tree service professionals.
 For Safe operation follow all safety precautions and instructions in operator's manuals. (Replacement manuals are available from your ECHO dealer.)
 Hold saw firmly with both hands.



STOP

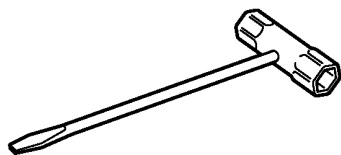
100 0059 CAN

ITEM	PART NUMBER	QTY	DESCRIPTION	REMARKS
1	X505002050	1	LABEL - WARNING	
2	X502000000	1	LABEL - ECHO	
3	X503005610	1	LABEL - MODEL -- CS-440	
4	89015737330	1	LABEL - STOP	
5	X502000010	1	LABEL - ECHO	
6	89032439630	1	LABEL, CAUTION	
7	89017639431	1	LABEL - NOISE (ENGLISH/FRENCH)	
8	X505000450	1	LABEL, KICK BACK	
9	X505000460	1	LABEL - KICK BACK (FRENCH)	
10	X524001170	1	LABEL - BAR & CHAIN	

WRENCH W/SCREWDRIVER (Also Remove Spark Plugs)

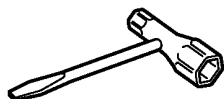
1 - 89541010630 -- 17X19mm

2 - X602000020 -- 17X19mm



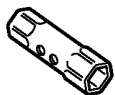
3 - 89541039131 -- 10X19mm

4 - 89541006960 -- 13X19mm



BOX WRENCH

5 - X602000031 -- 17X14.5mm



LOCKING BAR

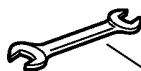
6 - 89751801131 -- 5X120mm



SPANNER

7 - 89511200330 -- 8X10mm

8 - 89512220960 -- 17X19mm



9 - 89501505260 -- 10mm



HEX BAR

10 - 89541220960 -- 10mm



L-WRENCH

11 - 89561203430 -- 3mm



12 - 89561000130 -- 4mm

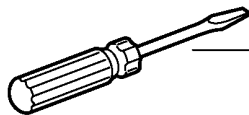


13 - 89561100330 -- 5mm

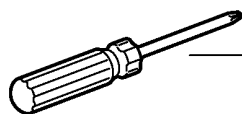


SCREWDRIVER

14 - 89581100130 -- 125mm



15 - 89581203930 -- 50mm



200 0001 000

ITEM	PART NUMBER	QTY	DESCRIPTION	REMARKS
1	89541010630	1	WRENCH/SCREWDRIVER -- 17X19mm	
2	X602000020	1	WRENCH/SCREWDRIVER -- 17X19mm	
3	89541039131	1	WRENCH/SCREWDRIVER -- 10X19mm	
4	89541006960	1	WRENCH/SCREWDRIVER -- 13X19mm	
5	X602000031	1	BOX WRENCH -- 17X14.5mm	
6	89751801131	1	LOCKING BAR -- 5X120mm	
7	89511200330	1	SPANNER -- 8X10mm	
8	89512220960	1	SPANNER -- 17X19mm	
9	89501505260	1	SPANNER -- 10mm	
10	89541220960	1	HEX BAR -- 10mm	
11	89561203430	1	L-WRENCH -- 3mm	
12	89561000130	1	L-WRENCH -- 4mm	
13	89561100330	1	L-WRENCH -- 5mm	
14	89581100130	1	SCREWDRIVER -- 125mm	
15	89581203930	1	SCREWDRIVER -- 50mm	



Part Number Index

Click The Page Number After Any Part Number To View The Diagram Containing That Part.

Part Number	Page	Part Number	Page	Part Number	Page	Part Number	Page
-----	7	17721538330	11	89581100130	29	V607000000	25
10001133730	25	17721819830	11	89581203930	29	V622000020	25
10001235430	25	17722035430	11	89751801131	29	X502000000	27
10001419730	25	17722138330	11	90010504006	9	X502000010	11, 27
10001503931	25	17722638330	11	90010505012	17	X503005610	27
10014239130	13	17722737930	11	90010505014	9	X505000450	27
10091038330	21	17722835430	11	90016204030	13	X505000460	27
10091532530	21	17723435430	11	90016205022	25	X505002050	27
10091533930	21	17724704630	11	90016205050	5	X524001170	27
10091838330	21	17801138331	5	90016205055	25	X602000020	29
10092138330	21	17804335430	21	90016304016	23	X602000031	29
10157938330	5	17809037930	21	90022003006	17		
12300039333	5, 7	17830237930	21	90022004006	13, 17		
12310037330	7	17851038330	5	90022005018	17		
12310137330	7	17881014532	5	90022304016	23		
12311003930	7	18A0AD3372	15	90023504014	5		
12311337530	7	20A0AD3378	15	90023804018	17		
12311433830	7	2893201	15	90023805012	5, 11		
12311610530	7	33SL66G	15	90023805016	21		
12311739330	7	33SL72G	15	90023805018	11		
12312003661	7	33SL78G	15	90025004008	9		
12312239330	7	35111119830	21	90025304010	17		
12312438330	7	35115535430	21	90025304014	21		
12312715030	7, 23	35160638330	21	90029603014	11		
12313002960	7	43300019831	17	90033030240	17		
12313135430	7	43300539333	17	90033040088	17		
12313237330	7	43301119830	25	90034225012	17		
12313304260	7	43301335431	17	90034540030	21		
12313404260	7	43301419830	17	90050000004	17		
12313510630	7	43301638330	17	90050000008	13		
12313610630	7	43301912330	17	90056250005	17		
12313903930	7	43304539332	21	90058000004	5		
12314203930	7	43310039037	17	90060300005	11		
12315038330	7	43311438331	17	90060500008	13		
12317815030	7	43311538330	17	90072000022	5		
13000038330	5	43312235430	17	90072502025	23		
13001038330	5	43314235430	17	9114505016	21		
13001639930	5	43316739130	17	9114505020	21		
13002033330	5	43317139330	17	9131805032	17		
13011038330	5	43320139031	17	9403536201	25		
13030138332	5	43320835431	17	A056000120	19		
13031038331	5	43320935430	17	A172000062	11		
13036638330	5	43331039330	17	A303000050	9		
13040538331	5	43600165631	23	A356000030	21		
13043038330	5	43600539332	23	A365000050	5, 23		
13051039932	5	43601838330	23, 25	A409000080	13		
13100437931	5	43601938330	23	A411000180	13		
13120519830	5	43611413930	23	A425000000	13		
13132840630	21	43620514730	23	A552000060	19		
13201038331	5	43700238330	23	C305000001	17		
13201239330	21	43701537330	23	C328000060	17		
13201326630	5, 21, 23	43701638330	23	C450000000	21		
13211504920	5	43701938330	23	C483000000	13		
13211512330	23	43702437330	23	P003000010	7		
14571160631	9	43702937330	23	P021001280	17		
14588439330	9	43706238330	23	P021003100	25		
15901019830	13	43706338330	25	P021006541	25		
15901103432	13	43721038330	23	P021006551	25		
15901201620	13	43722938331	23	P021006561	25		
16201038331	13	88020038330	17	P021006570	5		
16340038330	5	89015737330	27	P021006591	9		
16341338930	5	89017639431	27	P021006600	21		
16381038932	5	89032439630	27	P021007050	19		
16389038330	5	89501505260	29	P021008860	5		
16A0AD3366	15	89511200330	29	SB1082	25		
17501214630	19	89512220960	29	V100000131	25		
17501938330	19	89541006960	29	V104000580	9		
17501939430	19	89541010630	29	V150001740	25		
17510535430	19	89541039131	29	V162000020	17		
17511412530	19	89541220960	29	V203000090	11		
17531038330	23	89561000130	29	V304000090	17		
17720039335	11	89561100330	29	V451000500	19		
17721402830	11	89561203430	29	V505000010	25		



Part Description Index

Click The Page Number After Any Part Description To View The Diagram Containing That Part.

A

ADAPTER, INTAKE.....5
ADJUSTER, BRAKE.....17
AUTO-OILER ASY.....23

B

BALL, CHOKE FRICTION.....7
BAND, BRAKE.....17
BEARING, BALL - 6201.....25
BEARING, NEEDLE.....19, 25
BODY, CARBURETOR.....7
BOOT, CONNECTOR.....13
BOX WRENCH -- 17X14.5mm.....29
BRACKET.....5
BRAKE LEVER ASY.....17

C

CAP, AIR CLEANER.....5
CAP, CUSHION.....21
CAP, MIXTURE LIMITER.....7
CAP, OIL PUMP.....23
CAP, SPARK PLUG.....13
CARBURETOR -- WT-416C.....7
CARBURETOR -- WT-416C.....5
CHAIN BRAKE ASY.....17
CHAIN CATCHER KIT.....17
CIRCLIP.....23
CIRCLIP, PISTON PIN.....25
CLIP.....5, 21, 23
CLIP, THROTTLE SHAFT.....7
CLUTCH ASY.....19
CLUTCH SHOE SET.....19
COIL, IGNITION.....13
COLLAR.....23, 25
CONNECTOR, FUEL CAP.....23
COVER.....21
COVER, BRAKE.....17
COVER, ENGINE.....25
COVER, FAN.....11
COVER, FUEL PUMP.....7
COVER, HANDLE.....21
COVER, METERING DIAPHRAGM.....7
COVER, VENT.....21
CRANKCASE SET.....25
CRANKSHAFT ASY.....25
CUSHION.....5, 21
CYLINDER COVER ASY.....5

D

DIAPHRAGM, FUEL PUMP.....7
DIAPHRAGM, METERING.....7
DIAPHRAGM/GASKET KIT.....7
DOWEL PIN.....25
DRUM, CLUTCH.....19
DRUM, STARTER.....11

E

ELBOW, CARBURETOR.....5
EYE PLATE.....25

F

FILTER, AIR.....5

FILTER, FUEL.....5
FILTER, OIL.....23
FLANGE NUT 8.....17
FLYWHEEL.....13
FUEL TANK CAP ASY.....5

G

GASKET, CYLINDER.....25
GASKET, EXHAUST.....9
GASKET, FUEL PUMP.....7
GASKET, INTAKE.....5
GASKET, METERING DIAPHRAGM.....7
GASKET, OIL TANK.....23
GEAR, WORM.....25
GRIP, HANDLE.....21
GRIP, STARTER.....11
GROMMET.....5, 23
GUARD, SPROCKET.....17
GUIDE BAR - 16" -- ProAm Double Guard.....15
GUIDE BAR - 18" -- ProAm Double Guard.....15
GUIDE BAR - 20" -- ProAm Double Guard.....15
GUIDE, EXHAUST.....9
GUIDE, ROPE.....11

H

HANDLE, FRONT.....21
HEX BAR -- 10mm.....29
HUB, CLUTCH.....19

I

INSULATOR KIT.....5

K

KICK GUARD KIT.....15

L

LABEL - BAR & CHAIN.....27
LABEL - ECHO.....11, 27
LABEL - KICK BACK (FRENCH).....27
LABEL - MODEL -- CS-440.....27
LABEL - NOISE (ENGLISH/FRENCH).....27
LABEL - STOP.....27
LABEL - WARNING.....27
LABEL, CAUTION.....27
LABEL, KICK BACK.....27
LATCH, THROTTLE.....21
LEAD, GROUND.....13
LEVER, BRAKE.....17
LEVER, METERING.....7
LEVER, THROTTLE.....7
LOCKING BAR -- 5X120mm.....29
LOCKNUT.....17
LOCKOUT, THROTTLE CONTROL.....21
L-WRENCH -- 3mm.....29
L-WRENCH -- 4mm.....29
L-WRENCH -- 5mm.....29

M

MUFFLER ASY.....9

N

NEEDLE, ADJUST.....23
NEEDLE, ADJUSTMENT.....7

NUT.....5
NUT 4.....17
NUT 8.....13

O

OIL TANK ASY.....23
OIL TANK CAP ASY.....23
O-RING.....23
O-RING 22.....5

P

PAWL, STARTER.....11
PIN 3X24.....17
PIN, METERING LEVER.....7
PIN, PISTON.....25
PIPE, FUEL.....5, 23
PIPE, IMPULSE.....5
PIPE, OIL DISCHARGE.....23
PIPE, W/GROMMET.....21
PISTON KIT.....25
PLATE.....9
PLATE, CLUTCH.....19
PLATE, GUIDE - INNER.....17
PLATE, SEAL.....23
PLATE, SPROCKET GUARD.....17
PLATE, STARTER.....11
PLATE, WIND PROOF.....5
PLUG.....17
PLUG, FRICTION.....7
PLUG, WELCH.....7
PLUNGER.....23
PUSH, RING.....5

R

REAR HANDLE ASY.....21
REPAIR KIT.....7
RETAINER, CAP.....5
RING, PISTON.....25
ROD, CHOKE.....5
ROD, THROTTLE.....5
ROLLER 4X8.8.....17
ROPE, STARTER - 3.5X 960mm.....11

S

SAWING CHAIN - 16" -- Pro Guard.....15
SAWING CHAIN - 18" -- Pro Guard.....15
SAWING CHAIN - 20" -- Pro Guard.....15
SCREEN.....9
SCREEN, INLET.....7
SCREW.....21
SCREW 3X14.....11
SCREW 3X6.....17
SCREW 4X10.....17
SCREW 4X14.....5, 21
SCREW 4X16.....23
SCREW 4X18.....17
SCREW 4X30.....13
SCREW 4X6.....9, 13, 17
SCREW 4X8.....9
SCREW 5.....5
SCREW 5X12.....5, 11, 17
SCREW 5X14.....9, 11
SCREW 5X16.....21
SCREW 5X18.....11, 17



Part Description Index (continued)

SCREW 5X20.....21	WRENCH/SCREWDRIVER -- 13X19mm.....29
SCREW 5X22.....25	WRENCH/SCREWDRIVER -- 17X19mm.....29
SCREW 5X32.....17	
SCREW 5X50.....5	
SCREW 5X55.....25	
SCREW, CHOKE VALVE.....7	
SCREW, IDLE ADJUST.....7	
SCREW, METERING DIAPHRAGM COVER.....7	
SCREW, METERING LEVER PIN.....7	
SCREW, PUMP COVER.....7	
SCREW, TENSIONER.....17	
SCREW, THROTTLE LEVER.....7	
SCREW, THROTTLE VALVE.....7	
SCREWDRIVER -- 125mm.....29	
SCREWDRIVER -- 50mm.....29	
SEAL, OIL.....25	
SHAFT, CHOKE.....7	
SHAFT, THROTTLE.....7	
SHORT BLOCK.....25	
SNOW SHIELD KIT.....5	
SPACER.....11, 17	
SPACER, PISTON PIN.....25	
SPANNER -- 10mm.....29	
SPANNER -- 17X19mm.....29	
SPANNER -- 8X10mm.....29	
SPARK PLUG -- BPM-8Y.....13	
SPARK PLUG -- BPMR-8Y.....13	
SPIKED BUMPER KIT.....17	
SPRING.....17, 23	
SPRING PIN 2.5X12.....17	
SPRING PIN 4X30.....21	
SPRING WASHER 8.....13	
SPRING, BRAKE.....17	
SPRING, CHOKE FRICTION BALL.....7	
SPRING, CLUTCH.....19	
SPRING, IDLE ADJUST.....7	
SPRING, METERING LEVER.....7	
SPRING, RETURN.....11	
SPRING, REWIND.....11	
SPRING, THROTTLE RETURN.....7, 21	
SPROCKET GUARD ASY.....17	
SPROCKET, RIM.....19	
STARTER ASY.....11	
STOPPER, BRAKE.....17	
STUD, GUIDE BAR.....25	
SWITCH, IGNITION.....5	

T

TENSIONER.....17
TERMINAL, SPARK PLUG CAP.....13
TERMINAL, SWITCH.....5
TRIGGER, THROTTLE.....21

V

VALVE, CHECK.....23
VALVE, CHOKE.....7
VALVE, INLET NEEDLE.....7
VALVE, THROTTLE.....7
VENT ASY.....21

W

WASHER.....11, 17, 23
WASHER 5.....11
WASHER 5.2X12X14.....17
WEIGHT, BRAKE.....17
WOODRUFF KEY.....13
WRENCH/SCREWDRIVER -- 10X19mm.....29

NOTES



ECHO, INCORPORATED

400 Oakwood Road
Lake Zurich, IL 60047 USA

WWW.ECHO-USA.COM

ECHO Parts