



AVAILABLE ATTACHMENTS & ACCESSORIES

Accessories

103942147	CS Carry Bag
89850308032	Bar & Chain Cover - 17"
89850308033	Bar & Chain Cover - 20"
99988800207	CS Removable Nose Case
99988800308	CS Lanyard Strap w_Ring
99988801205	CS Fixed Nose Case

Guide Bars

16A0MD3366	MICRO-LITE PRO Guide Bar - 16" -- Standard Width
18A0MD3372	MICRO-LITE PRO Guide Bar - 18" -- Standard Width
20A0MD3378	MICRO-LITE PRO Guide Bar - 20" -- Standard Width

Sawing Chains

95VP66G	Chain - 16" -- Standard Width
95VP72G	Chain - 18" -- Standard Width
95VP78G	Chain - 20" -- Standard Width

PARTS CATALOG

CS-520 Chain Saw

50.1cc

SERIAL NUMBERS

S/N: C09312001001 - C09312999999

ECHO, INCORPORATED

400 Oakwood Road Lake Zurich, Illinois 60047 USA

WWW.ECHO-USA.COM



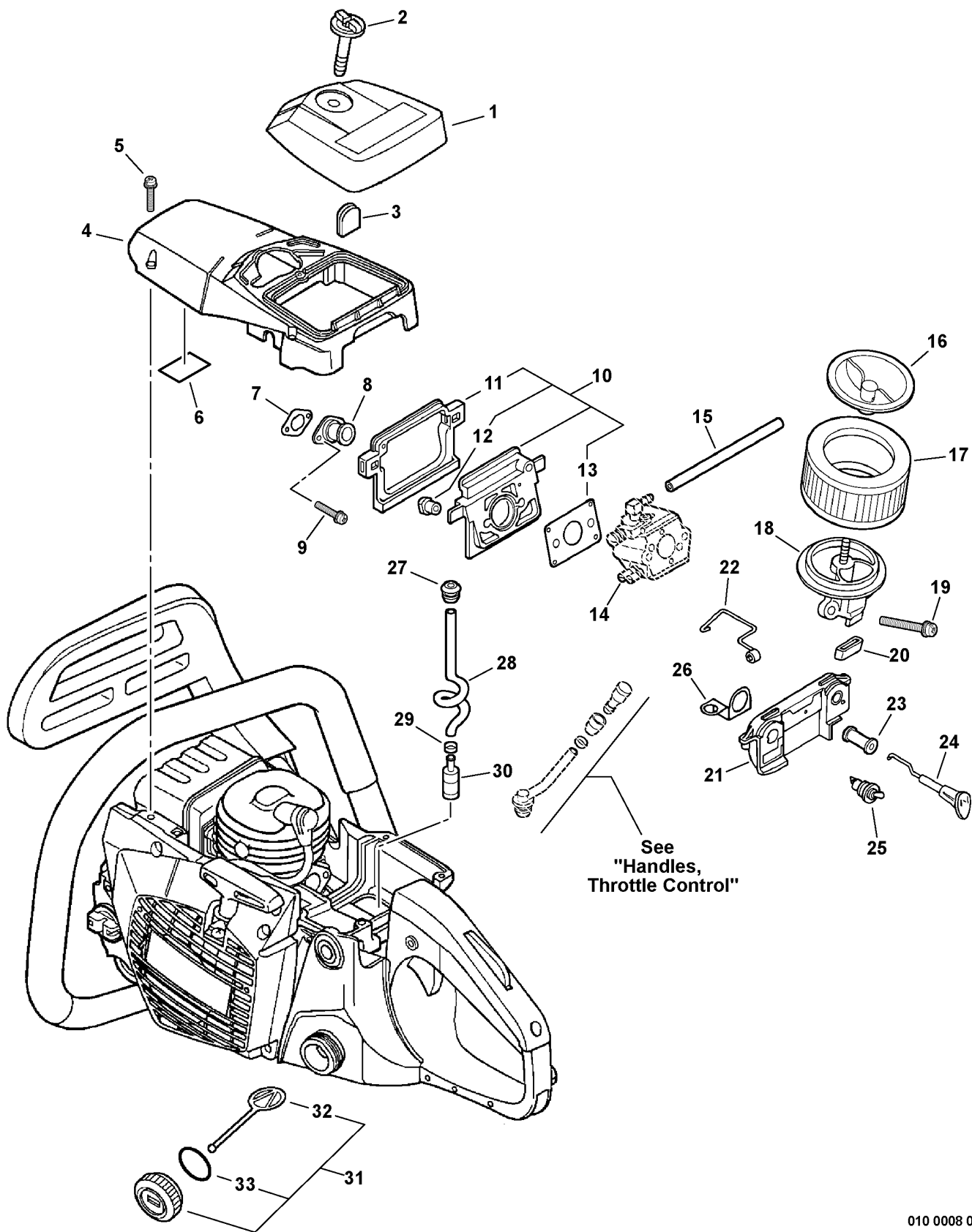
Table of Contents

Click Any Diagram Description Below To View That Diagram.

CS-520 S/N: C09312001001 - C09312999999

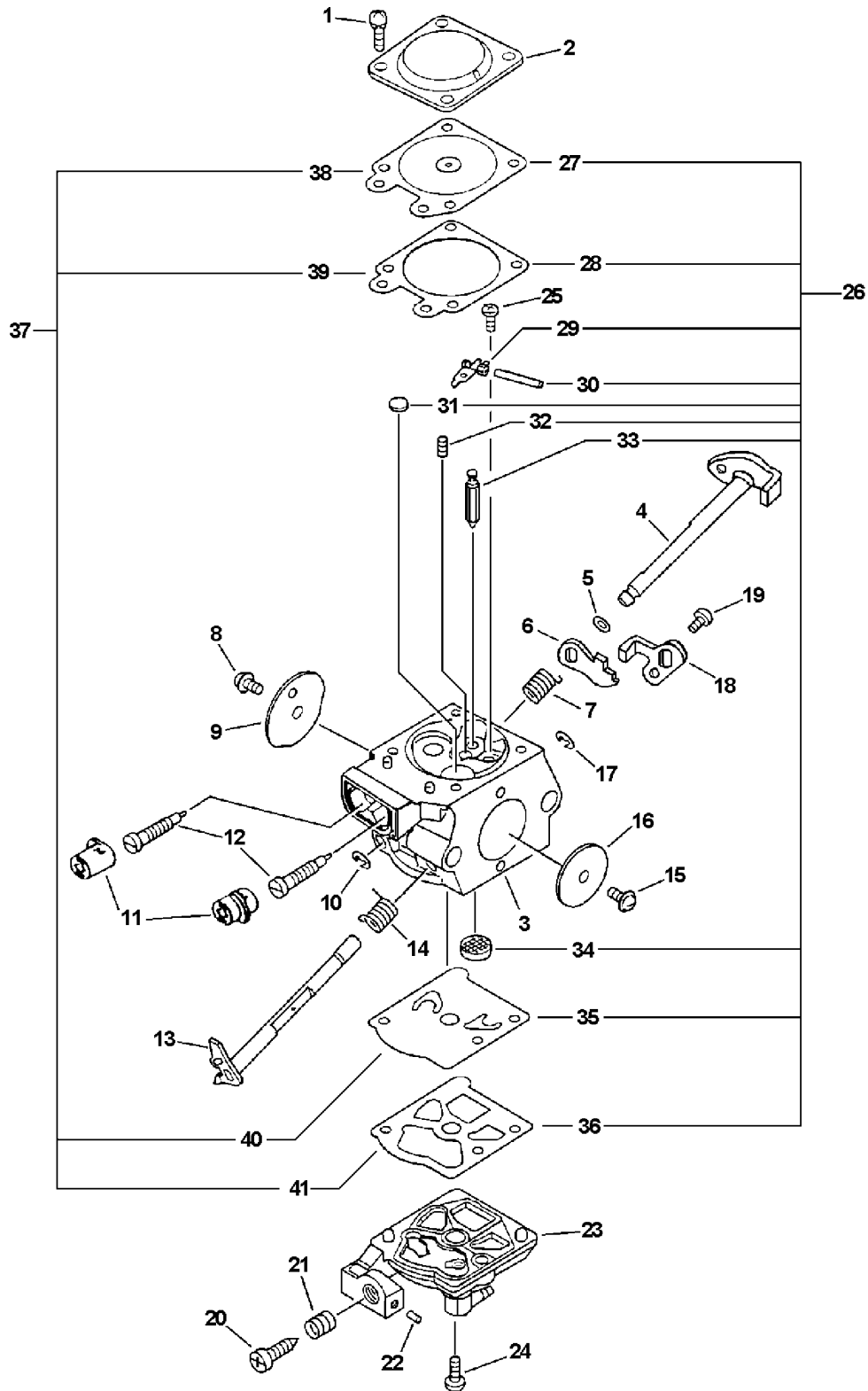
Cylinder Cover, Intake, Fuel System, Ignition Switch.....	4
Carburetor -- WT-594.....	6
Exhaust.....	8
Starter.....	10
Ignition.....	12
Chain Brake.....	14
Guide Bar, Sawing Chain, Kick Guard.....	16
Clutch.....	18
Handles, Throttle Control.....	20
Auto-Oiler, Oil Tank.....	22
Engine, Short Block -- SB1080, Engine Cover.....	24
Labels.....	26
Tools.....	28
Part Number Index.....	30
Part Description Index.....	31

This Page Intentionally Left Blank



010 0008 000

ITEM	PART NUMBER	QTY	DESCRIPTION	REMARKS
1	P021007150	1	LID, CLEANER	
2	A235000000	1	KNOB, AIR CLEANER LID	
3	13033832430	1	PLUG	
4	A160000202	1	COVER, CYLINDER	
5	16389038330	3	SCREW 5	
6	10152035430	1	DEFLECTOR, HEAT	
7	13001639930	1	GASKET, INTAKE	
8	13051039932	1	ADAPTER, INTAKE	
9	90023805012	2	SCREW 5X12	
10	13000038331	1	INSULATOR KIT	INCLUDES ITEMS 9-11
11	V420001130	1	CUSHION	
12	13002033330	2	NUT	
13	13001038330	1	GASKET, INTAKE	
14	-----	1	CARBURETOR	See Carburetor Diagram For Additional Information
15	13011038330	1	PIPE, IMPULSE	
16	13040538332	1	BRACKET, AIR CLEANER	
17	13031038331	1	FILTER, AIR	
18	A204000004	1	ELBOW, CARBURETOR	
19	90016205050	2	SCREW 5X50	
20	13043038330	1	CUSHION	
21	16381038933	1	BRACKET	
22	C454000041	1	ROD, THROTTLE	
23	17881014534	1	GROMMET	
24	C241000100	1	ROD, CHOKE	
25	16340038330	1	SWITCH, IGNITION	
26	16341338930	1	TERMINAL, SWITCH	
27	13211504920	1	GROMMET	
28	13201038331	1	PIPE, FUEL	
29	13201326630	1	CLIP	
30	13120519830	1	FILTER, FUEL	
31	13100437931	1	FUEL TANK CAP ASY	INCLUDES ITEMS 30-31
32	A365000050	1	CONNECTOR, FUEL TANK CAP	
33	90072000022	1	O-RING 22	

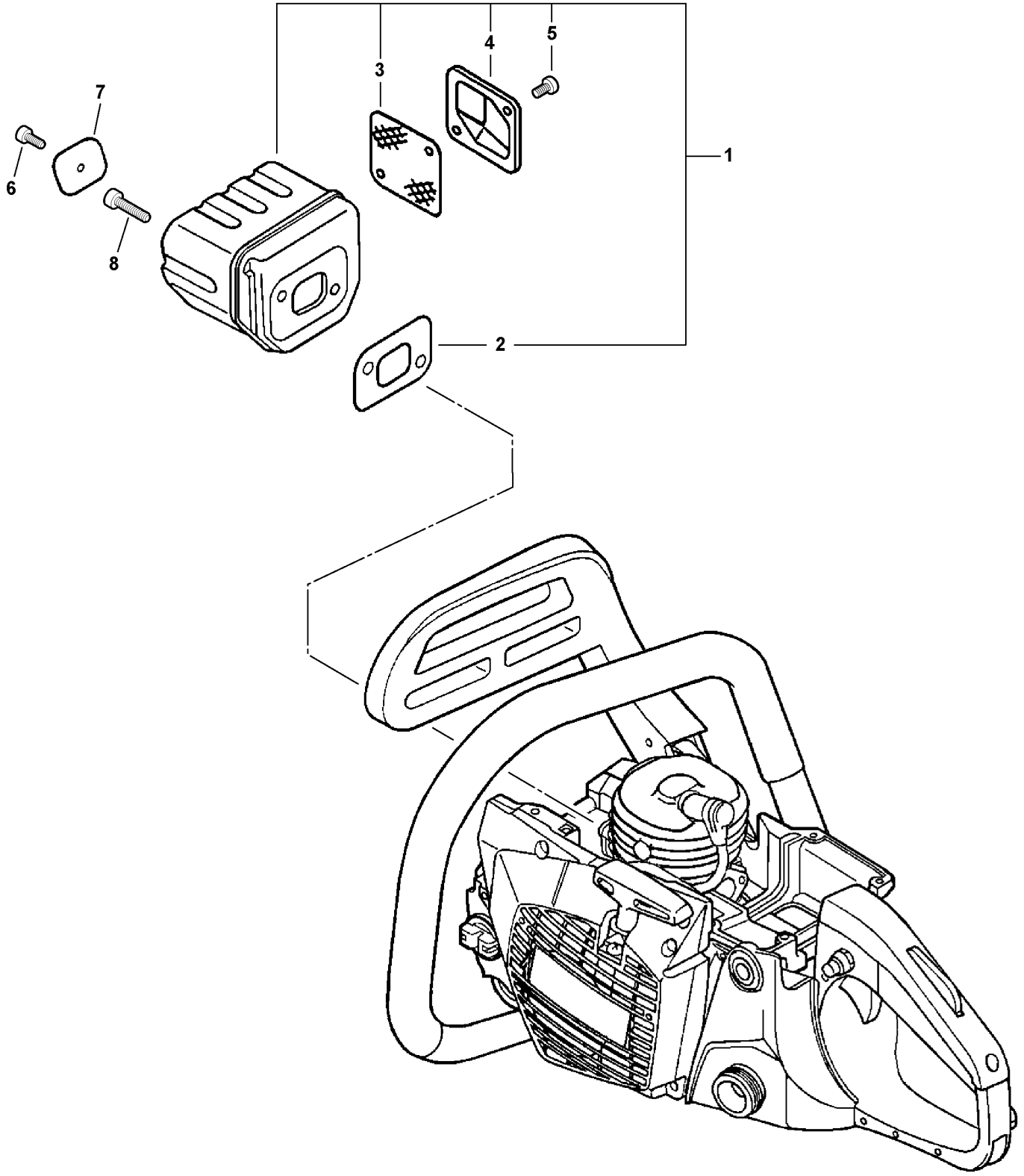


WT_594 2205_6_7

ITEM	PART NUMBER	QTY	DESCRIPTION	REMARKS
0	A021000220	1	CARBURETOR -- WT-594	
1	12313002960	4	SCREW, METERING DIAPHRAGM COVER	
2	12314203930	1	COVER, METERING DIAPHRAGM	
3	-----	1	BODY, CARBURETOR ¹	
4	P003000150	1	SHAFT, CHOKE	
5	12314926030	1	WASHER	
6	P003000160	1	LEVER, FAST IDLE	
7	P003000140	1	SPRING, CHOKE RETURN	
8	12311403930	1	SCREW, CHOKE VALVE	
9	P003000230	1	VALVE CHOKE	
10	12312715030	1	CLIP, CHOKE SHAFT	
11	P003000010	2	CAP, MIXTURE LIMITER	
12	12312003661	2	NEEDLE, HIGH SPEED	
13	P003000480	1	SHAFT, THROTTLE	
14	12311337530	1	SPRING, THROTTLE RETURN	
15	12311403930	1	SCREW, THROTTLE VALVE	
16	12311610530	1	VALVE, THROTTLE	
17	12312715030	1	CLIP, THROTTLE SHAFT	
18	P003000130	1	LEVER, THROTTLE	
19	12311403930	1	SCREW, THROTTLE LEVER	
20	12313404260	1	SCREW, IDLE ADJUST	
21	12313304260	1	SPRING, IDLE ADJUST	
22	12317815030	1	PLUG, FRICTION	
23	12312438330	1	COVER, FUEL PUMP	
24	12311003930	1	SCREW, PUMP COVER	
25	12313903930	1	SCREW, METERING LEVER PIN	
26	P003000250	1	REPAIR KIT	INCLUDES ITEMS 27-36
27	-----	1	DIAPHRAGM, METERING	
28	-----	1	GASKET, METERING DIAPHRAGM	
29	-----	1	LEVER, METERING	
30	-----	1	PIN, METERING LEVER	
31	-----	1	PLUG, WELCH	
32	-----	1	SPRING, METERING LEVER	
33	-----	1	VALVE, INLET NEEDLE	
34	-----	1	SCREEN, INLET	
35	-----	1	DIAPHRAGM, FUEL PUMP	
36	-----	1	GASKET, FUEL PUMP	
37	P003000240	1	GASKET/DIAPHRAGM KIT	INCLUDES ITEMS 38-41
38	-----	1	DIAPHRAGM, METERING	
39	-----	1	GASKET, METERING DIAPHRAGM	
40	-----	1	DIAPHRAGM, FUEL PUMP	
41	-----	1	GASKET, FUEL PUMP	

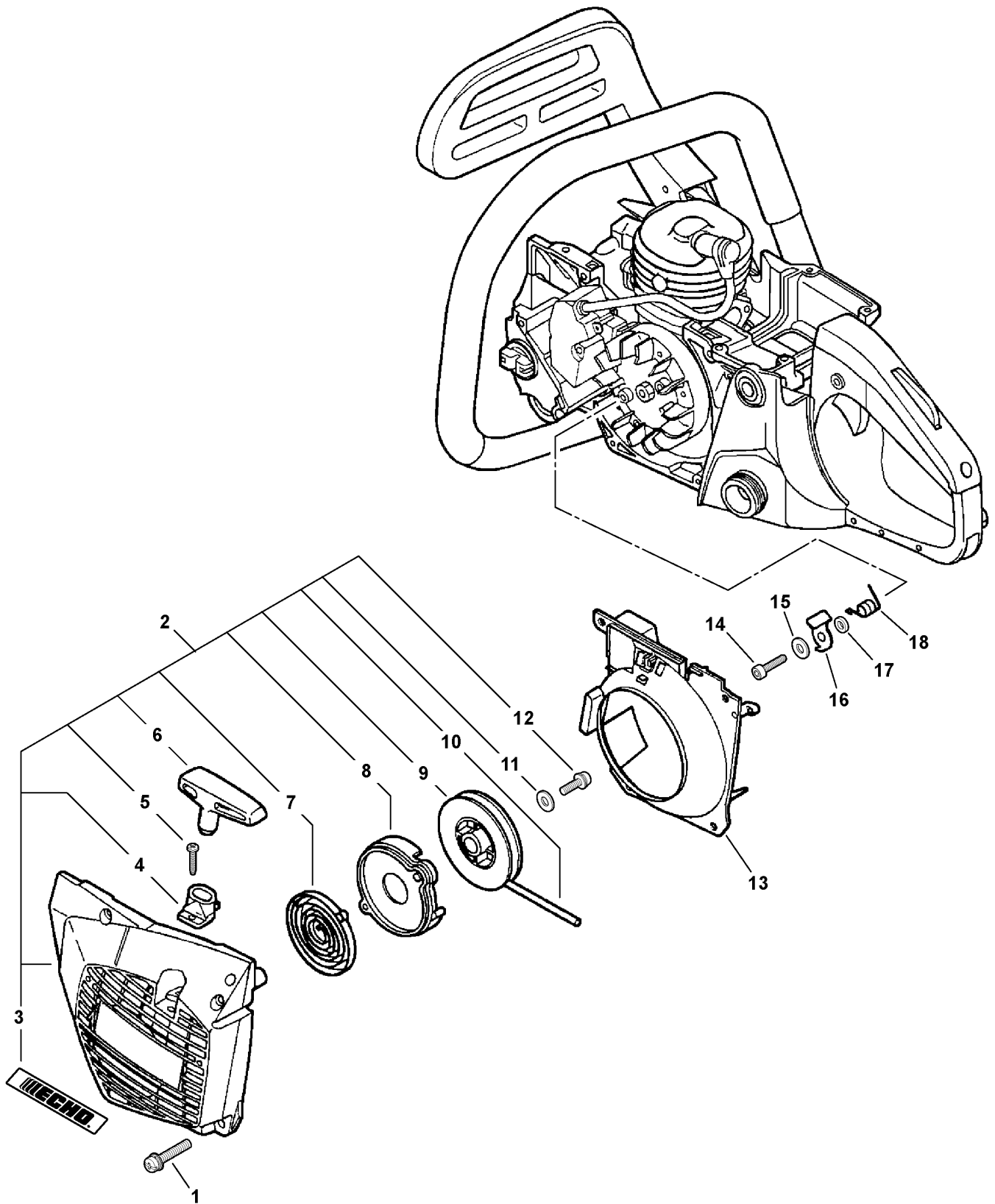
Footnotes

1: NOT AVAILABLE SEPARATELY



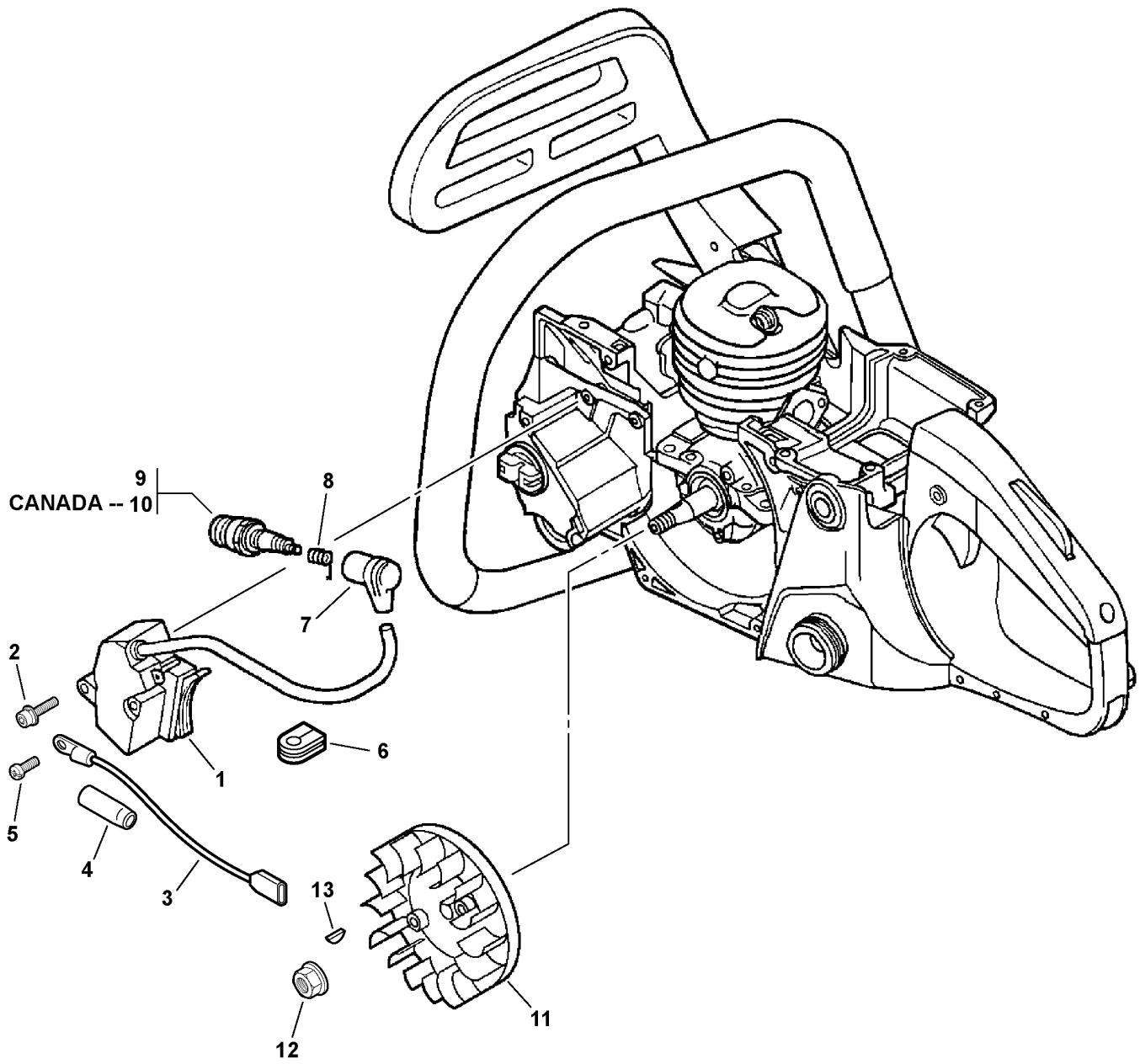
011 0007 000

ITEM	PART NUMBER	QTY	DESCRIPTION	REMARKS
1	P021006591	1	MUFFLER ASY	INCLUDES ITEMS 2-5
2	14551035431	1	GASKET, EXHAUST	
3	14588439330	1	SCREEN	
4	A303000050	1	GUIDE, EXHAUST	
5	90025004008	2	SCREW 4X8	
6	90010504006	1	SCREW 4X6	
7	14571160631	1	PLATE	
8	90010505014	2	SCREW 5X14	



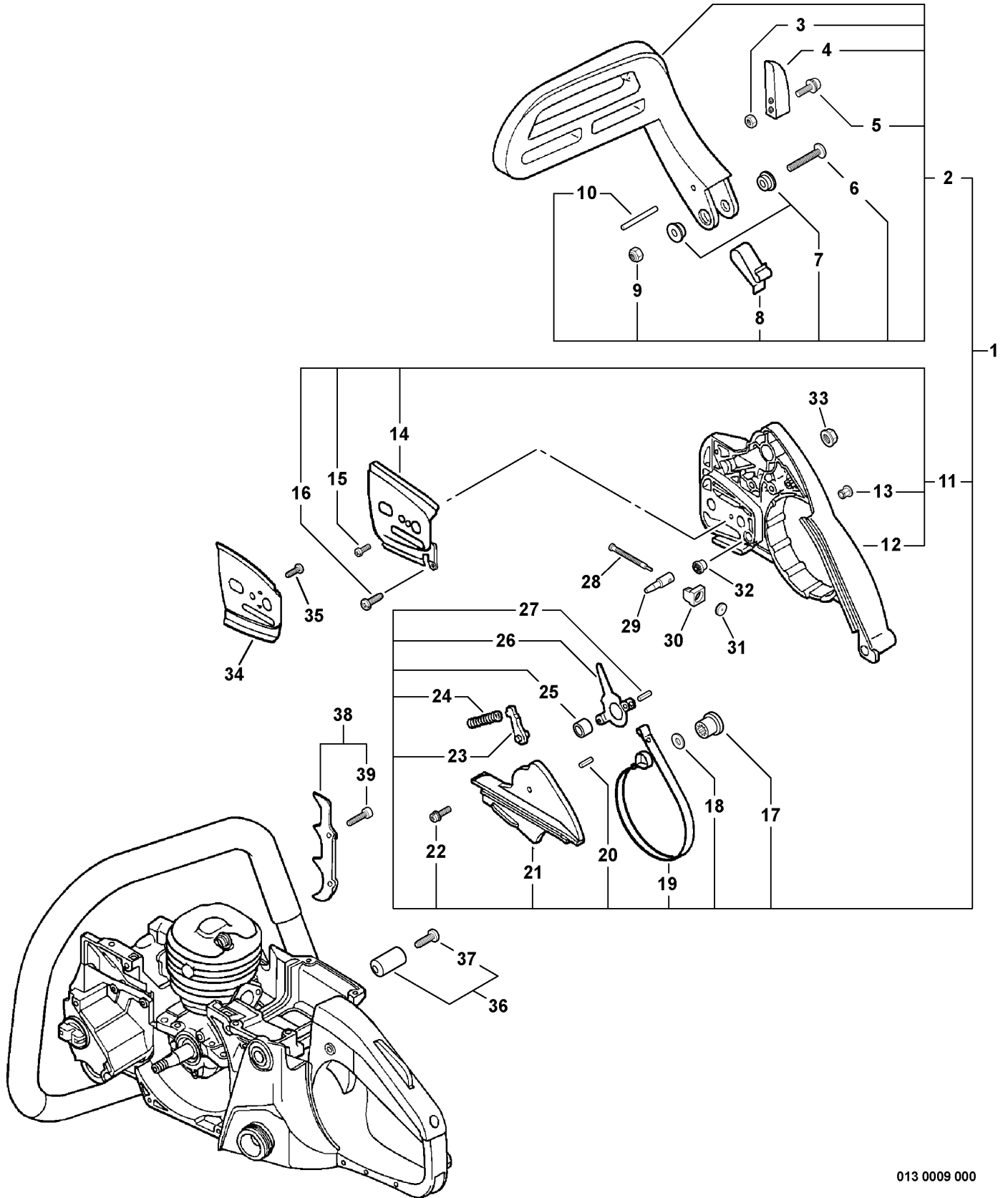
015 0006 000

ITEM	PART NUMBER	QTY	DESCRIPTION	REMARKS
1	90023805018	4	SCREW 5X18	
2	17720039335	1	STARTER ASY	INCLUDES ITEMS 3-12
3	X502000010	1	LABEL - ECHO	
4	17722737930	1	GUIDE, ROPE	
5	90029603014	1	SCREW 3X14	
6	17722835430	1	GRIP, STARTER	
7	17722035430	1	SPRING, REWIND	
8	17722138330	1	PLATE, STARTER	
9	17721538330	1	DRUM, STARTER	
10	???	1	ROPE, STARTER - 3.5X 960mm	REPOWER BULK OPTION: 99944445000
11	17721402830	1	WASHER	
12	90023805012	1	SCREW 5X12	
13	A172000062	1	COVER, FAN	
14	V203000090	2	SCREW 5X14	
15	90060300005	2	WASHER 5	
16	17721819830	2	PAWL, STARTER	
17	17724704630	2	SPACER	
18	17723435430	2	SPRING, RETURN	



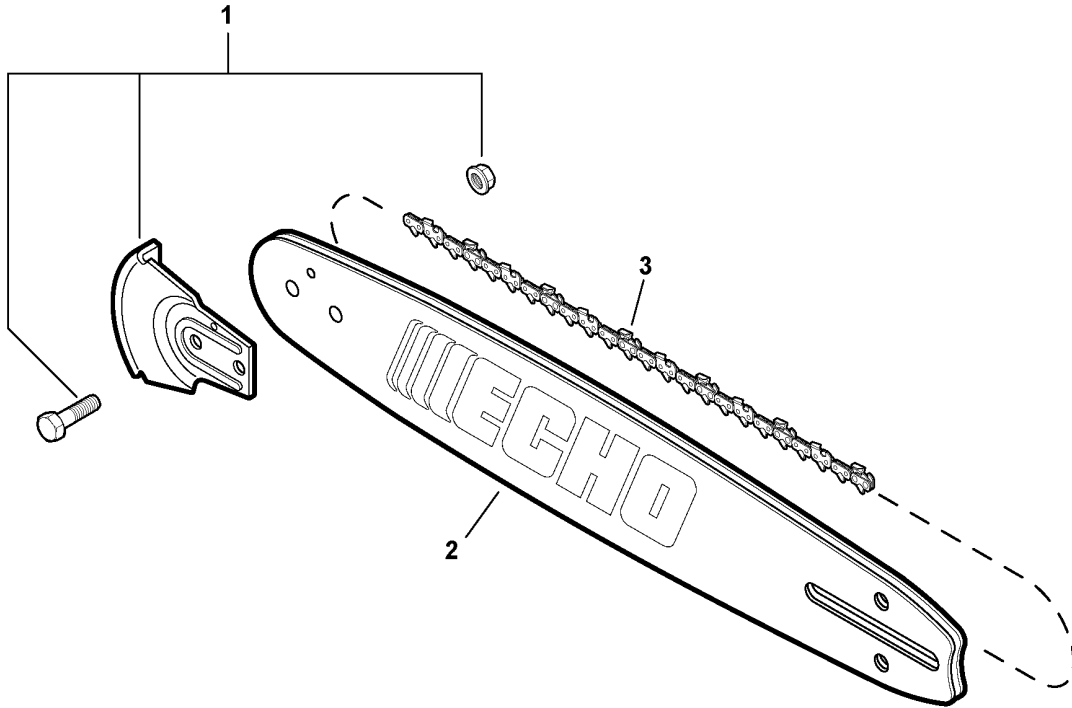
018 0007 000

ITEM	PART NUMBER	QTY	DESCRIPTION	REMARKS
1	A411000031	1	COIL, IGNITION	
2	90016204030	2	SCREW 4X30	
3	16201038332	1	LEAD, GROUND	
4	C483000000	1	BOOT, CONNECTOR	
5	90022004006	1	SCREW 4X6	
6	V135000010	1	GROMMET	
7	A472000012	1	CAP, SPARK PLUG	
8	A426000010	1	TERMINAL, SPARK PLUG CAP	
9	15901010630	1	SPARK PLUG -- BPM-7A	
10	A425000000	1	SPARK PLUG -- BPMR-8Y	CANADA MODELS
11	A409000030	1	FLYWHEEL	
12	90051500008	1	NUT 8	
13	10014230830	1	WOODRUFF KEY	



013 0009 000

ITEM	PART NUMBER	QTY	DESCRIPTION	REMARKS
1	43310039037	1	CHAIN BRAKE ASY	INCLUDES ITEMS 2-26
2	43320139031	1	BRAKE LEVER ASY	INCLUDES ITEMS 3-10
3	90050000004	2	NUT 4	
4	43317139330	1	WEIGHT, BRAKE	
5	90023804018	2	SCREW 4X18	
6	9131805032	1	SCREW 5X32	
7	43316739130	2	SPACER	
8	43311438331	1	SPRING	
9	90056250005	1	LOCKNUT	
10	90033030240	1	PIN 3X24	
11	P021001280	1	SPROCKET GUARD ASY	INCLUDES ITEMS 12-16
12	43300539334	1	GUARD, SPROCKET	
13	V162000020	1	PLUG	NOT REQUIRED
14	C305000001	1	PLATE, SPROCKET GUARD	
15	90022003006	1	SCREW 3X6	
16	90025304010	1	SCREW 4X10	
17	43314235430	1	ADJUSTER, BRAKE	
18	V304000090	1	WASHER	
19	C328000060	1	BAND, BRAKE	
20	90034225012	1	SPRING PIN 2.5X12	
21	43331039330	1	COVER, BRAKE	
22	90025304010	1	SCREW 4X10	
23	43320935430	1	STOPPER, BRAKE	
24	43312235430	1	SPRING, BRAKE	
25	43311538330	1	COLLAR 5.2X12X14	
26	43320835431	1	LEVER, BRAKE	
27	90033040088	1	SPRING PIN 4X8.8	
28	V203000110	1	BOLT 5	
29	C309000030	1	TENSIONER, CHAIN	
30	V355000270	1	COLLAR	
31	V651000011	1	GEAR, BEVEL	
32	V651000001	1	GEAR, BEVEL	
33	43301912330	2	FLANGE NUT 8	
34	43301335431	1	PLATE, GUIDE - INNER	
35	90022004006	1	SCREW 4X6	
36	43300019831	1	CHAIN CATCHER KIT	INCLUDES ITEM 32
37	90022005018	1	SCREW 5X18	
38	88020038330	1	SPIKED BUMPER KIT	
39	90010505012	2	SCREW 5X12	

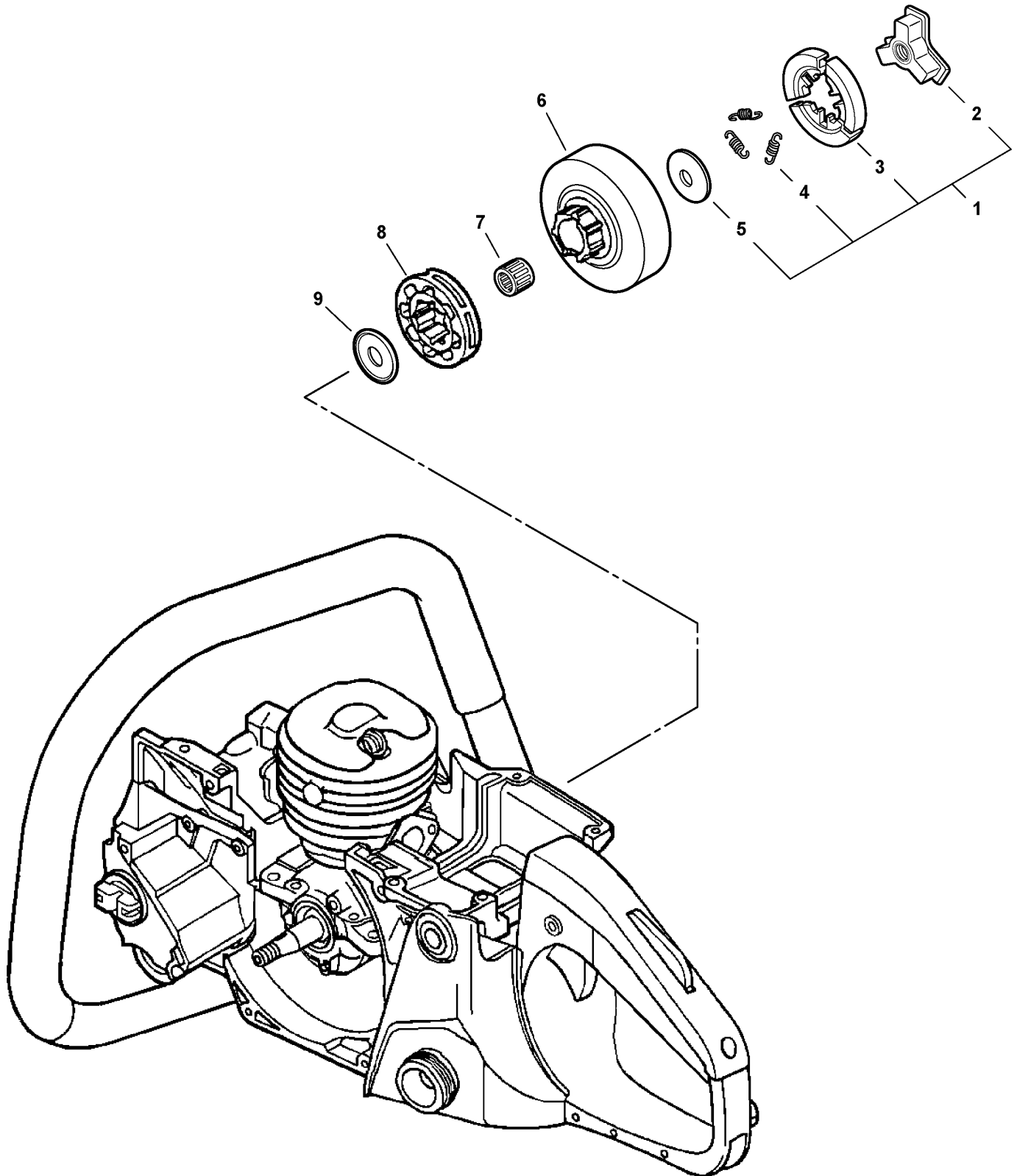


016 0004 000

CS-520 Chain Saw

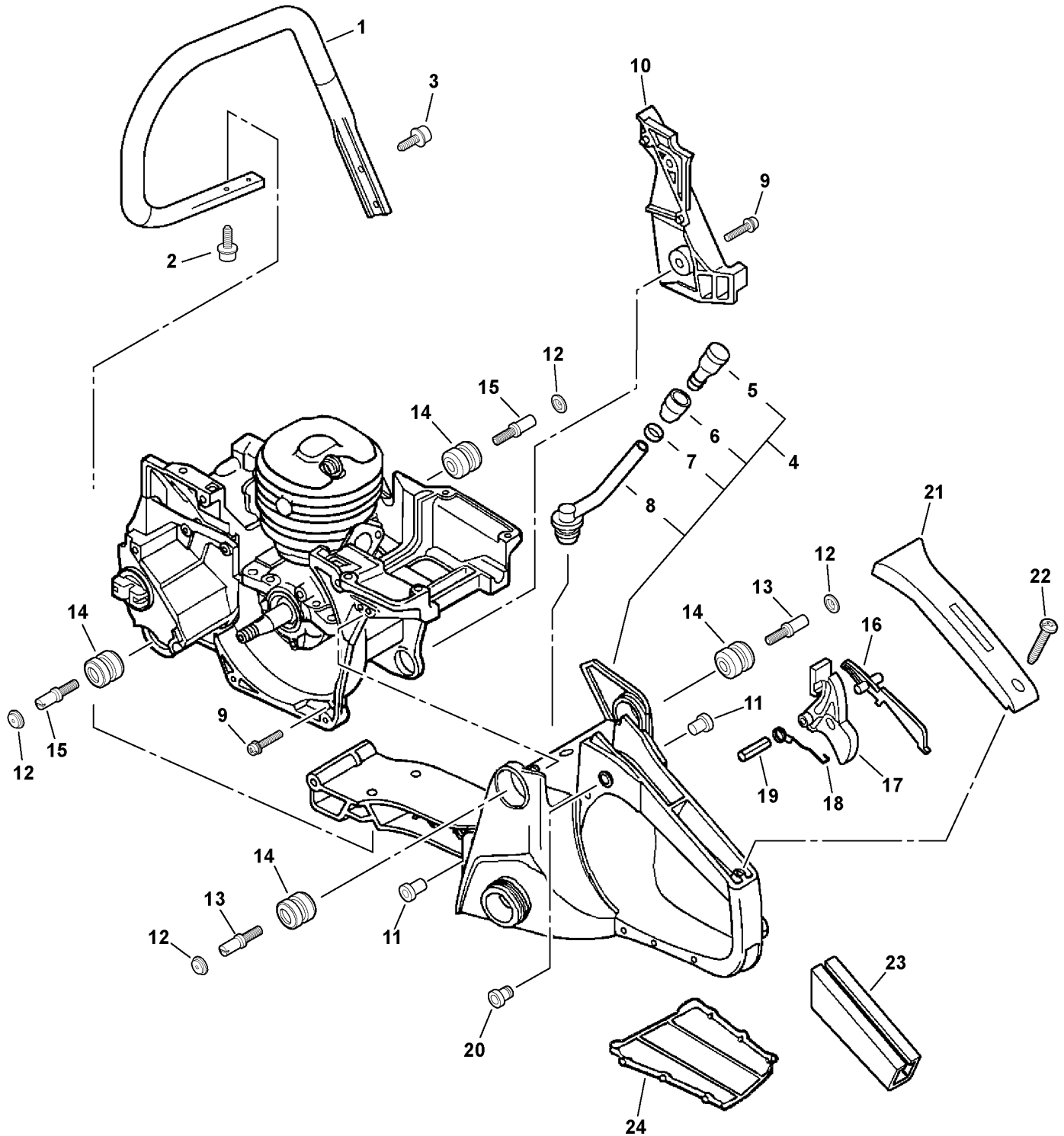
Guide Bar, Sawing Chain, Kick Guard

ITEM	PART NUMBER	QTY	DESCRIPTION	REMARKS
1	2893201	1	KICK GUARD KIT	
2	16A0MD3366	1	MICRO-LITE PRO GUIDE BAR - 16" -- STANDARD WIDTH	
2	18A0MD3372	1	MICRO-LITE PRO GUIDE BAR - 18" -- STANDARD WIDTH	
2	20A0MD3378	1	MICRO-LITE PRO GUIDE BAR - 20" -- STANDARD WIDTH	
3	95VP66G	1	SAWING CHAIN - 16" -- STANDARD WIDTH	
3	95VP72G	1	SAWING CHAIN - 18" -- STANDARD WIDTH	
3	95VP78G	1	SAWING CHAIN - 20" -- STANDARD WIDTH	



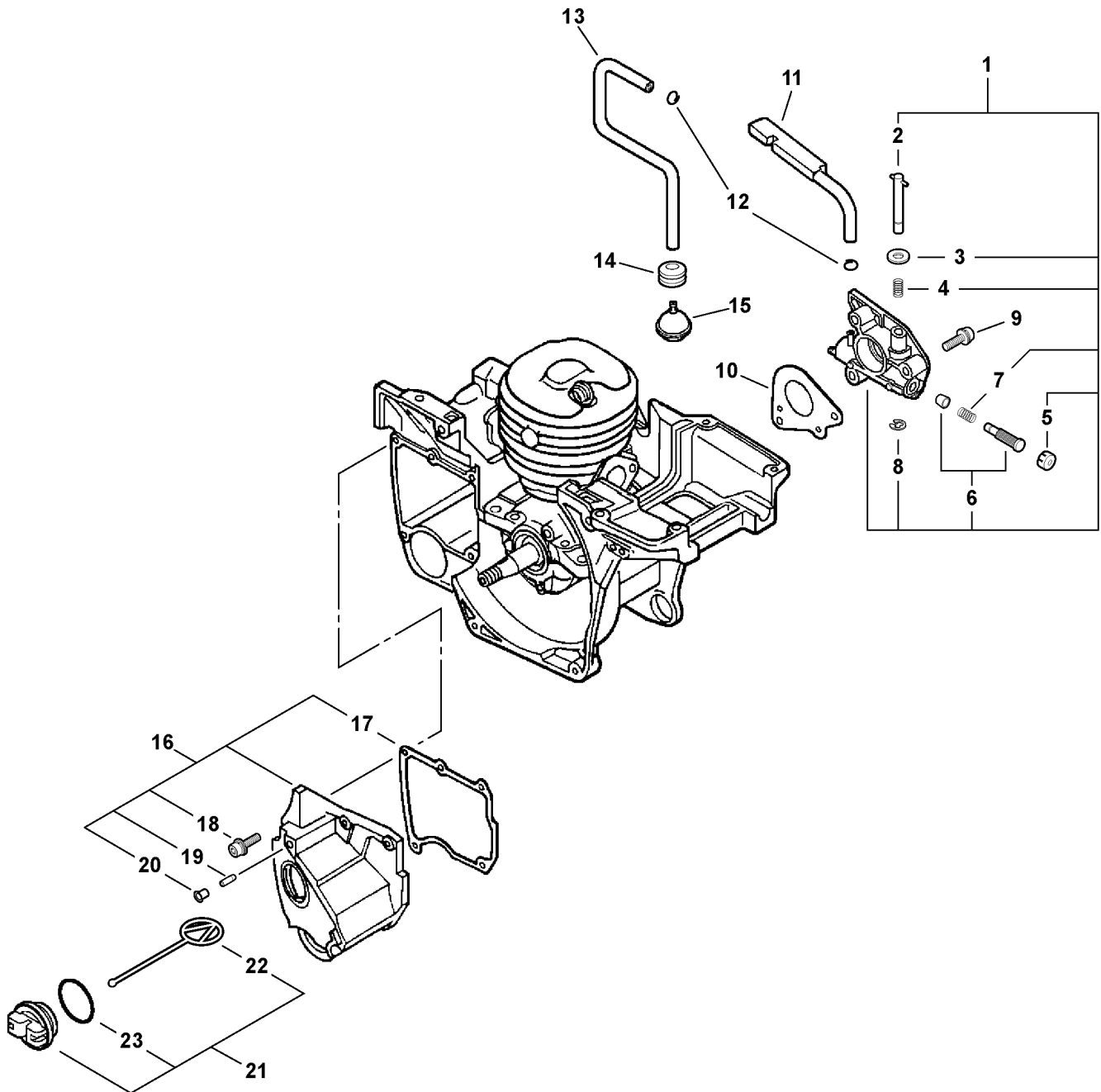
014 0006 000

ITEM	PART NUMBER	QTY	DESCRIPTION	REMARKS
1	P021007070	1	CLUTCH ASY	INCLUDES ITEMS 2-5
2	A552000050	1	HUB, CLUTCH	
3	P021007050	1	CLUTCH SHOE SET	
4	V451000500	3	SPRING, CLUTCH	
5	A551000060	1	PLATE, CLUTCH	
6	A556000020	1	DRUM, CLUTCH	
7	V557000010	1	BEARING, NEEDLE	
8	17511412530	1	SPROCKET	
9	A551000000	1	PLATE, CLUTCH	



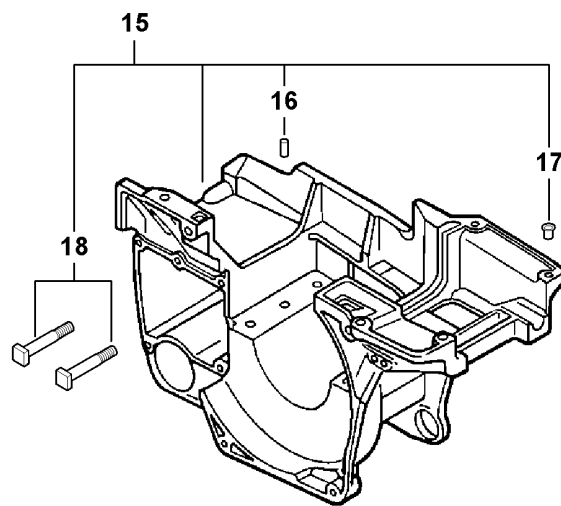
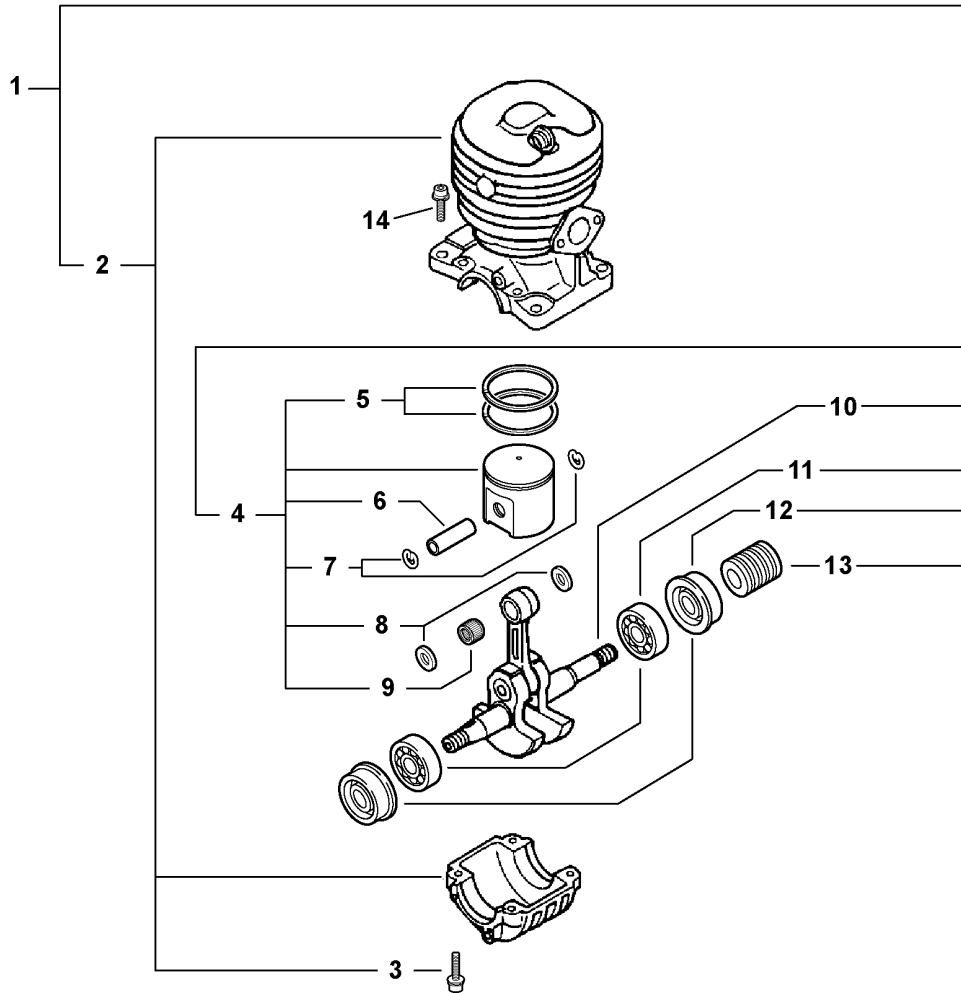
012 0007 000

ITEM	PART NUMBER	QTY	DESCRIPTION	REMARKS
1	C400000010	1	HANDLE, FRONT	
2	9114505016	2	SCREW 5X16	
3	9114505020	2	SCREW 5X20	
4	P021011460	1	REAR HANDLE ASY	INCLUDES ITEMS 5-8
5	A356000030	1	VALVE, CHECK	
6	13132840630	1	COVER, VENT	
7	13201326630	1	CLIP	
8	13201239330	1	PIPE, W/GROMMET	
9	90023805016	3	SCREW 5X16	
10	43304539332	1	COVER	
11	10091038330	2	CUSHION	
12	10091838330	4	CAP, CUSHION	
13	10091532530	2	SCREW	
14	10092138330	4	CUSHION	
15	10091533930	2	SCREW	
16	17809037930	1	LOCKOUT, THROTTLE CONTROL	
17	C450000000	1	TRIGGER, THROTTLE	
18	17804335430	1	SPRING, THROTTLE RETURN	
19	90034540030	1	SPRING PIN 4X30	
20	V162000040	1	PLUG	
21	35115535430	1	COVER, HANDLE	
22	90025304014	1	SCREW 4X14	
23	35111119830	1	GRIP, HANDLE	
24	C418000000	1	SHIELD, SNOW	



017 0006 000

ITEM	PART NUMBER	QTY	DESCRIPTION	REMARKS
1	43700238330	1	AUTO-OILER ASY	
2	43701638330	1	NEEDLE, ADJUST	
3	43702937330	1	WASHER	
4	43701537330	1	SPRING	
5	43706238330	1	CAP, OIL PUMP	
6	43702437330	1	PLUNGER	
7	43701938330	1	SPRING	
8	12312715030	1	CIRCLIP	
9	90022304016	2	SCREW 4X16	
10	17531038330	1	PLATE, SEAL	
11	43722938331	1	PIPE, OIL DISCHARGE	
12	13201326630	2	CLIP	
13	43721038330	1	PIPE, OIL INTAKE	
14	13211512330	1	GROMMET	
15	43620514730	1	FILTER, OIL	
16	43600539332	1	OIL TANK ASY	INCLUDES ITEMS 10-13
17	43601938330	1	GASKET, OIL TANK	
18	90016304016	3	SCREW 4X16	
19	43611413930	1	VALVE, CHECK	
20	43601838330	1	COLLAR	
21	43600165631	1	OIL TANK CAP ASY	INCLUDES ITEMS 15-16
22	A365000050	1	CONNECTOR, FUEL CAP	
23	90072502025	1	O-RING	



SB1080 0001 000

ITEM	PART NUMBER	QTY	DESCRIPTION	REMARKS
1	SB1080	1	SHORT BLOCK ¹	INCLUDES ITEM 2-14
2	P021006990	1	CRANKCASE SET	INCLUDES ITEM 3
3	90010605020	4	SCREW 5X20	
4	P021006150	1	PISTON KIT	INCLUDES ITEMS 5-9
5	10001139730	2	RING, PISTON	
6	V609000000	1	PIN, PISTON	
7	10001532330	2	CIRCLIP, PISTON PIN	
8	V308000000	2	SPACER, PISTON PIN	
9	V556000000	1	BEARING, NEEDLE	
10	A011000320	1	CRANKSHAFT	
11	V508000000	2	OIL SEAL	
12	90081036202	2	BEARING, BALL - 6202	
13	V652000000	1	GEAR, WORM	
14	90016205022	4	SCREW 5X22	
15	P021003100	1	COVER, ENGINE	INCLUDES ITEMS 18-20
16	V622000020	2	DOWEL PIN	
17	43601838330	2	COLLAR	
18	43301119830	2	STUD, GUIDE BAR	

Footnotes

1: OPTIONAL ENGINE REPOWER



⚠ WARNING
 Note: Lorem ipsum dolor sit amet, consectetur adipiscing elit, sed diam nonummy neque mod tincidunt ut laoreet dolore magna aliquam erat volutpat. Ut wisi enim ad minim veniam, quis nostrud exerci tation ullamcorper suscipit.
 Cobortis risi ut aliquip ex, elit, sed nonummy neque mod tincidunt ut laoreet dolore magna aliquam erat volutpat. Ut wisi enim ad minim veniam, quis nostrud exerci tation ullamcorperis nostrud exerci tation ullamcorper suscipit dolemagna quis aliquam erat volutpat lobortis risi ut aliquip ex.




TO AVOID KICKBACK
 1. Hold the chain saw firmly with both hands
 2. Don't let the nose of the guide bar contact any obstruction.
 3. Tip contact may suddenly move the guide bar upward and backward, which may cause serious injury

REPLACEMENT BAR AND CHAIN

GUIDE BAR*	CHAIN*
PART NO.	TYPE LINKS
16" 16ADM03366	OREGON 95VP 66
18" 18ADM03372	OREGON 95VP 72
20" 20ADM03378	OREGON 95VP 78

*Or equivalent
 Note: Lorem ipsum dolor sit amet, consectetur adipiscing elit, sed diam nonummy nibh euismod tincidunt ut laoreet dolore magna aliquam erat volutpat. Ut wisi enim ad minim veniam, quo nostrud exerci tation ullamcorper suscipit lobortis risi ut aliquip ex.

CS-520

WARNING!! Read and follow all safety precautions in the instruction manual. Failure to follow instructions could result in serious personal injury.



STOP

100 0065 US0

CS-520 Chain Saw

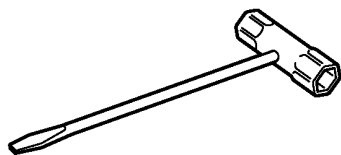
Labels

ITEM	PART NUMBER	QTY	DESCRIPTION	REMARKS
1	X505002040	1	LABEL - WARNING	
2	X502000000	1	LABEL - ECHO	
3	X503005440	1	LABEL - MODEL -- CS-520	
4	89015737330	1	LABEL - STOP	
5	X502000010	1	LABEL - ECHO	
6	X524001650	1	LABEL - BAR & CHAIN	
7	89019130131	1	LABEL - KICK BACK	

WRENCH W/SCREWDRIVER (Also Remove Spark Plugs)

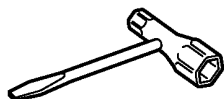
1 - 89541010630 -- 17X19mm

2 - X602000020 -- 17X19mm



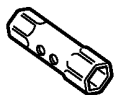
3 - 89541039131 -- 10X19mm

4 - 89541006960 -- 13X19mm



BOX WRENCH

5 - X602000031 -- 17X14.5mm



LOCKING BAR

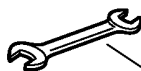
6 - 89751801131 -- 5X120mm



SPANNER

7 - 89511200330 -- 8X10mm

8 - 89512220960 -- 17X19mm



9 - 89501505260 -- 10mm



HEX BAR

10 - 89541220960 -- 10mm



L-WRENCH

11 - 89561203430 -- 3mm



12 - 89561000130 -- 4mm

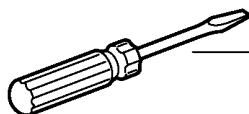


13 - 89561100330 -- 5mm

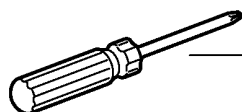


SCREWDRIVER

14 - 89581100130 -- 125mm



15 - 89581203930 -- 50mm



200 0001 000

ITEM	PART NUMBER	QTY	DESCRIPTION	REMARKS
1	89541010630	1	WRENCH/SCREWDRIVER -- 17X19mm	
2	X602000020	1	WRENCH/SCREWDRIVER -- 17X19mm	
3	89541039131	1	WRENCH/SCREWDRIVER -- 10X19mm	
4	89541006960	1	WRENCH/SCREWDRIVER -- 13X19mm	
5	X602000031	1	BOX WRENCH -- 17X14.5mm	
6	89751801131	1	LOCKING BAR -- 5X120mm	
7	89511200330	1	SPANNER -- 8X10mm	
8	89512220960	1	SPANNER -- 17X19mm	
9	89501505260	1	SPANNER -- 10mm	
10	89541220960	1	HEX BAR -- 10mm	
11	89561203430	1	L-WRENCH -- 3mm	
12	89561000130	1	L-WRENCH -- 4mm	
13	89561100330	1	L-WRENCH -- 5mm	
14	89581100130	1	SCREWDRIVER -- 125mm	
15	89581203930	1	SCREWDRIVER -- 50mm	



Part Number Index

Click The Page Number After Any Part Number To View The Diagram Containing That Part.

Part Number	Page	Part Number	Page	Part Number	Page	Part Number	Page
.....	5, 7	4330001983115	9005150000813	V65100000115
???11	4330053933415	9005625000515	V65100001115
1000113973025	4330111983025	9006030000511	V65200000025
1000153233025	4330133543115	900720000225	X50200000027
1001423083013	4330191233015	9007250202523	X50200001011, 27
1009103833021	4330453933221	9008103620225	X50300544027
1009153253021	4331003903715	911450501621	X50500204027
1009153393021	4331143833115	911450502021	X52400165027
1009183833021	4331153833015	913180503215	X60200002029
1009213833021	4331223543015	95VP66G17	X60200003129
101520354305	4331423543015	95VP72G17		
123110039307	4331673913015	95VP78G17		
123113375307	4331713933015	A01100032025		
123114039307	4332013903115	A0210002207		
123116105307	4332083543115	A1600002025		
123120036617	4332093543015	A17200006211		
123124383307	4333103933015	A2040000045		
123127150307, 23	4360016563123	A2350000005		
123130029607	4360053933223	A3030000509		
123133042607	4360183833023, 25	A35600003021		
123134042607	4360193833023	A3650000505, 23		
123139039307	4361141393023	A40900003013		
123142039307	4362051473023	A41100003113		
123149260307	4370023833023	A42500000013		
123178150307	4370153733023	A42600001013		
130000383315	4370163833023	A47200001213		
130010383305	4370193833023	A55100000019		
130016399305	4370243733023	A55100006019		
130020333305	4370293733023	A55200005019		
130110383305	4370623833023	A55600002019		
130310383315	4372103833023	C2410001005		
130338324305	4372293833123	C30500000115		
130405383325	8802003833015	C30900003015		
130430383305	8901573733027	C32800006015		
130510399325	8901913013127	C40000001021		
131004379315	8950150526029	C41800000021		
131205198305	8951120033029	C45000000021		
1313284063021	8951222096029	C4540000415		
132010383315	8954100696029	C48300000013		
1320123933021	8954101063029	P0030000107		
132013266305, 21, 23	8954103913129	P0030001307		
132115049205	8954122096029	P0030001407		
1321151233023	8956100013029	P0030001507		
145510354319	8956110033029	P0030001607		
145711606319	8956120343029	P0030002307		
145884393309	8958110013029	P0030002407		
1590101063013	8958120393029	P0030002507		
1620103833213	8975180113129	P0030004807		
163400383305	900105040069	P02100128015		
163413389305	9001050501215	P02100310025		
163810389335	900105050149	P02100615025		
163890383305	9001060502025	P0210065919		
16A0MD336617	9001620403013	P02100699025		
1751141253019	9001620502225	P02100705019		
1753103833023	900162050505	P02100707019		
1772003933511	9001630401623	P0210071505		
1772140283011	9002200300615	P02101146021		
1772153833011	9002200400613, 15	SB108025		
1772181983011	9002200501815	V13500001013		
1772203543011	9002230401623	V16200002015		
1772213833011	9002380401815	V16200004021		
1772273793011	900238050125, 11	V20300009011		
1772283543011	9002380501621	V20300011015		
1772343543011	9002380501811	V30400009015		
1772470463011	900250040089	V30800000025		
1780433543021	9002530401015	V35500027015		
1780903793021	9002530401421	V4200011305		
178810145345	9002960301411	V45100050019		
18A0MD337217	9003303024015	V50800000025		
20A0MD337817	9003304008815	V55600000025		
289320117	9003422501215	V55700001019		
3511111983021	9003454003021	V60900000025		
3511553543021	9005000000415	V62200002025		



Part Description Index

Click The Page Number After Any Part Description To View The Diagram Containing That Part.

A

ADAPTER, INTAKE.....5
 ADJUSTER, BRAKE.....15
 AUTO-OILER ASY.....23

B

BAND, BRAKE.....15
 BEARING, BALL - 6202.....25
 BEARING, NEEDLE.....19, 25
 BODY, CARBURETOR.....7
 BOLT 5.....15
 BOOT, CONNECTOR.....13
 BOX WRENCH -- 17X14.5mm.....29
 BRACKET.....5
 BRACKET, AIR CLEANER.....5
 BRAKE LEVER ASY.....15

C

CAP, CUSHION.....21
 CAP, MIXTURE LIMITER.....7
 CAP, OIL PUMP.....23
 CAP, SPARK PLUG.....13
 CARBURETOR.....5
 CARBURETOR -- WT-594.....7
 CHAIN BRAKE ASY.....15
 CHAIN CATCHER KIT.....15
 CIRCLIP.....23
 CIRCLIP, PISTON PIN.....25
 CLIP.....5, 21, 23
 CLIP, CHOKE SHAFT.....7
 CLIP, THROTTLE SHAFT.....7
 CLUTCH ASY.....19
 CLUTCH SHOE SET.....19
 COIL, IGNITION.....13
 COLLAR.....15, 23, 25
 COLLAR 5.2X12X14.....15
 CONNECTOR, FUEL CAP.....23
 CONNECTOR, FUEL TANK CAP.....5
 COVER.....21
 COVER, BRAKE.....15
 COVER, CYLINDER.....5
 COVER, ENGINE.....25
 COVER, FAN.....11
 COVER, FUEL PUMP.....7
 COVER, HANDLE.....21
 COVER, METERING DIAPHRAGM.....7
 COVER, VENT.....21
 CRANKCASE SET.....25
 CRANKSHAFT.....25
 CUSHION.....5, 21

D

DEFLECTOR, HEAT.....5
 DIAPHRAGM, FUEL PUMP.....7
 DIAPHRAGM, METERING.....7
 DOWEL PIN.....25
 DRUM, CLUTCH.....19
 DRUM, STARTER.....11

E

ELBOW, CARBURETOR.....5

F

FILTER, AIR.....5
 FILTER, FUEL.....5
 FILTER, OIL.....23
 FLANGE NUT 8.....15
 FLYWHEEL.....13
 FUEL TANK CAP ASY.....5

G

GASKET, EXHAUST.....9
 GASKET, FUEL PUMP.....7
 GASKET, INTAKE.....5
 GASKET, METERING DIAPHRAGM.....7
 GASKET, OIL TANK.....23
 GASKET/DIAPHRAGM KIT.....7
 GEAR, BEVEL.....15
 GEAR, WORM.....25
 GRIP, HANDLE.....21
 GRIP, STARTER.....11
 GROMMET.....5, 13, 23
 GUARD, SPROCKET.....15
 GUIDE, EXHAUST.....9
 GUIDE, ROPE.....11

H

HANDLE, FRONT.....21
 HEX BAR -- 10mm.....29
 HUB, CLUTCH.....19

I

INSULATOR KIT.....5

K

KICK GUARD KIT.....17
 KNOB, AIR CLEANER LID.....5

L

LABEL - BAR & CHAIN.....27
 LABEL - KICK BACK.....27
 LABEL - ECHO.....11, 27
 LABEL - MODEL -- CS-520.....27
 LABEL - STOP.....27
 LABEL - WARNING.....27
 LEAD, GROUND.....13
 LEVER, BRAKE.....15
 LEVER, FAST IDLE.....7
 LEVER, METERING.....7
 LEVER, THROTTLE.....7
 LID, CLEANER.....5
 LOCKING BAR -- 5X120mm.....29
 LOCKNUT.....15
 LOCKOUT, THROTTLE CONTROL.....21
 L-WRENCH -- 3mm.....29
 L-WRENCH -- 4mm.....29
 L-WRENCH -- 5mm.....29

M

MICRO-LITE PRO GUIDE BAR - 16" -- STANDARD WIDTH.....17
 MICRO-LITE PRO GUIDE BAR - 18" -- STANDARD WIDTH.....17

MICRO-LITE PRO GUIDE BAR - 20" -- STANDARD WIDTH.....17
 MUFFLER ASY.....9

N

NEEDLE, ADJUST.....23
 NEEDLE, HIGH SPEED.....7
 NUT.....5
 NUT 4.....15
 NUT 8.....13

O

OIL SEAL.....25
 OIL TANK ASY.....23
 OIL TANK CAP ASY.....23
 O-RING.....23
 O-RING 22.....5

P

PAWL, STARTER.....11
 PIN 3X24.....15
 PIN, METERING LEVER.....7
 PIN, PISTON.....25
 PIPE, FUEL.....5
 PIPE, IMPULSE.....5
 PIPE, OIL DISCHARGE.....23
 PIPE, OIL INTAKE.....23
 PIPE, W/GROMMET.....21
 PISTON KIT.....25
 PLATE.....9
 PLATE, CLUTCH.....19
 PLATE, GUIDE - INNER.....15
 PLATE, SEAL.....23
 PLATE, SPROCKET GUARD.....15
 PLATE, STARTER.....11
 PLUG.....5, 15, 21
 PLUG, FRICTION.....7
 PLUG, WELCH.....7
 PLUNGER.....23

R

REAR HANDLE ASY.....21
 REPAIR KIT.....7
 RING, PISTON.....25
 ROD, CHOKE.....5
 ROD, THROTTLE.....5
 ROPE, STARTER - 3.5X 960mm.....11

S

SAWING CHAIN - 16" -- STANDARD WIDTH.....17
 SAWING CHAIN - 18" -- STANDARD WIDTH.....17
 SAWING CHAIN - 20" -- STANDARD WIDTH.....17
 SCREEN.....9
 SCREEN, INLET.....7
 SCREW.....21
 SCREW 3X14.....11
 SCREW 3X6.....15
 SCREW 4X10.....15
 SCREW 4X14.....21
 SCREW 4X16.....23
 SCREW 4X18.....15



Part Description Index (continued)

SCREW 4X30.....13
 SCREW 4X6.....9, 13, 15
 SCREW 4X8.....9
 SCREW 5.....5
 SCREW 5X12.....5, 11, 15
 SCREW 5X14.....9, 11
 SCREW 5X16.....21
 SCREW 5X18.....11, 15
 SCREW 5X20.....21, 25
 SCREW 5X22.....25
 SCREW 5X32.....15
 SCREW 5X50.....5
 SCREW, CHOKE VALVE.....7
 SCREW, IDLE ADJUST.....7
 SCREW, METERING DIAPHRAGM COVER.....7
 SCREW, METERING LEVER PIN.....7
 SCREW, PUMP COVER.....7
 SCREW, THROTTLE LEVER.....7
 SCREW, THROTTLE VALVE.....7
 SCREWDRIVER -- 125mm.....29
 SCREWDRIVER -- 50mm.....29
 SHAFT, CHOKE.....7
 SHAFT, THROTTLE.....7
 SHIELD, SNOW.....21
 SHORT BLOCK.....25
 SPACER.....11, 15
 SPACER, PISTON PIN.....25
 SPANNER -- 10mm.....29
 SPANNER -- 17X19mm.....29
 SPANNER -- 8X10mm.....29
 SPARK PLUG -- BPM-7A.....13
 SPARK PLUG -- BPMR-8Y.....13
 SPIKED BUMPER KIT.....15
 SPRING.....15, 23
 SPRING PIN 2.5X12.....15
 SPRING PIN 4X30.....21
 SPRING PIN 4X8.8.....15
 SPRING, BRAKE.....15
 SPRING, CHOKE RETURN.....7
 SPRING, CLUTCH.....19
 SPRING, IDLE ADJUST.....7
 SPRING, METERING LEVER.....7
 SPRING, RETURN.....11
 SPRING, REWIND.....11
 SPRING, THROTTLE RETURN.....7, 21
 SPROCKET.....19
 SPROCKET GUARD ASY.....15
 STARTER ASY.....11
 STOPPER, BRAKE.....15
 STUD, GUIDE BAR.....25
 SWITCH, IGNITION.....5

WEIGHT, BRAKE.....15
 WOODRUFF KEY.....13
 WRENCH/SCREWDRIVER -- 10X19mm.....29
 WRENCH/SCREWDRIVER -- 13X19mm.....29
 WRENCH/SCREWDRIVER -- 17X19mm.....29

T

TENSIONER, CHAIN.....15
 TERMINAL, SPARK PLUG CAP.....13
 TERMINAL, SWITCH.....5
 TRIGGER, THROTTLE.....21

V

VALVE CHOKE.....7
 VALVE, CHECK.....21, 23
 VALVE, INLET NEEDLE.....7
 VALVE, THROTTLE.....7

W

WASHER.....7, 11, 15, 23
 WASHER 5.....11

NOTES



ECHO, INCORPORATED

400 Oakwood Road
Lake Zurich, IL 60047 USA

WWW.ECHO-USA.COM
