

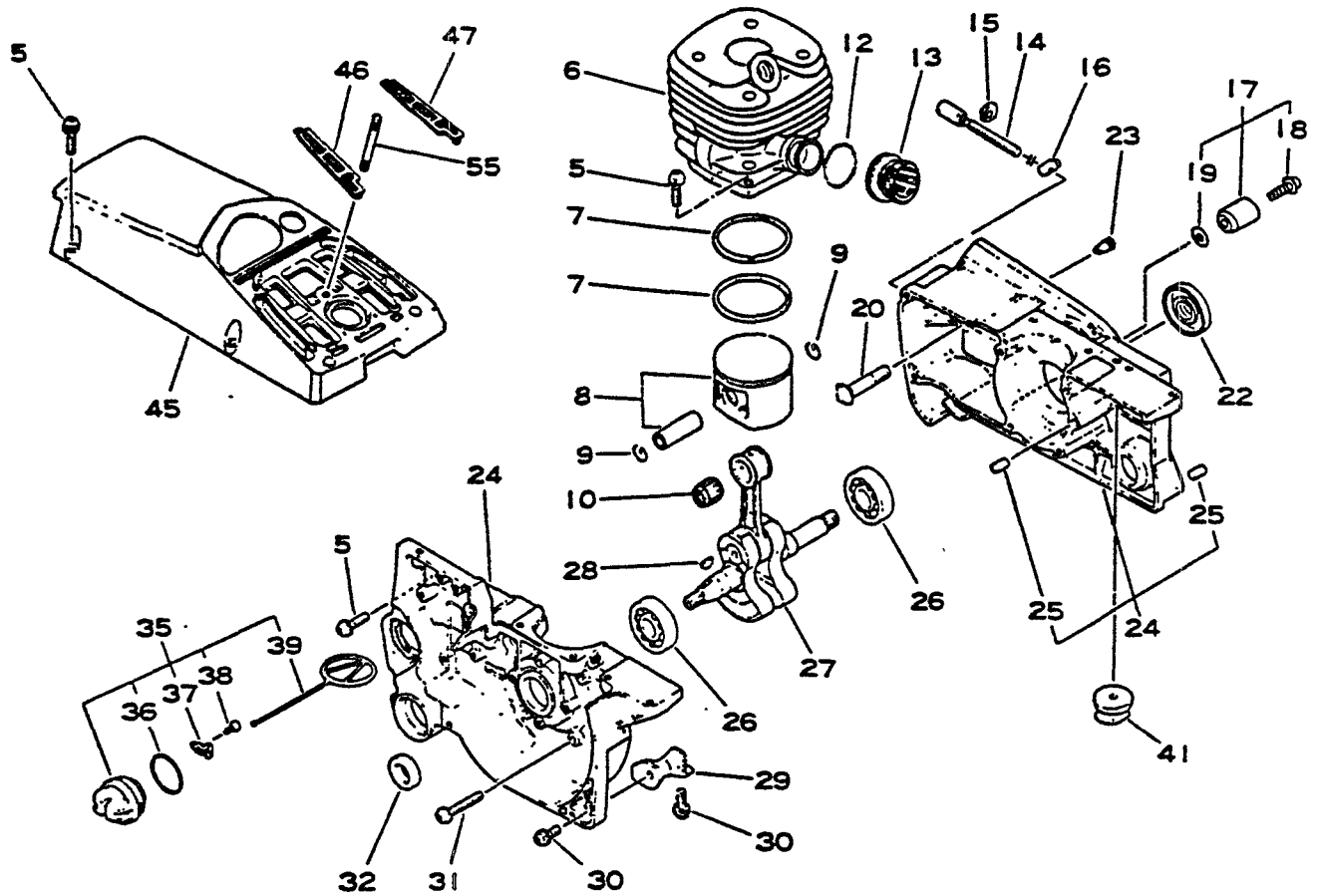


**CHAIN SAW
PARTS CATALOG
MODEL CS-5500**

SERIAL NUMBER 001001THRU 020976

**ECHO, INCORPORATED
400 OAKWOOD ROAD
LAKE ZURICH, IL 60047**

**898612 32532
11/94**

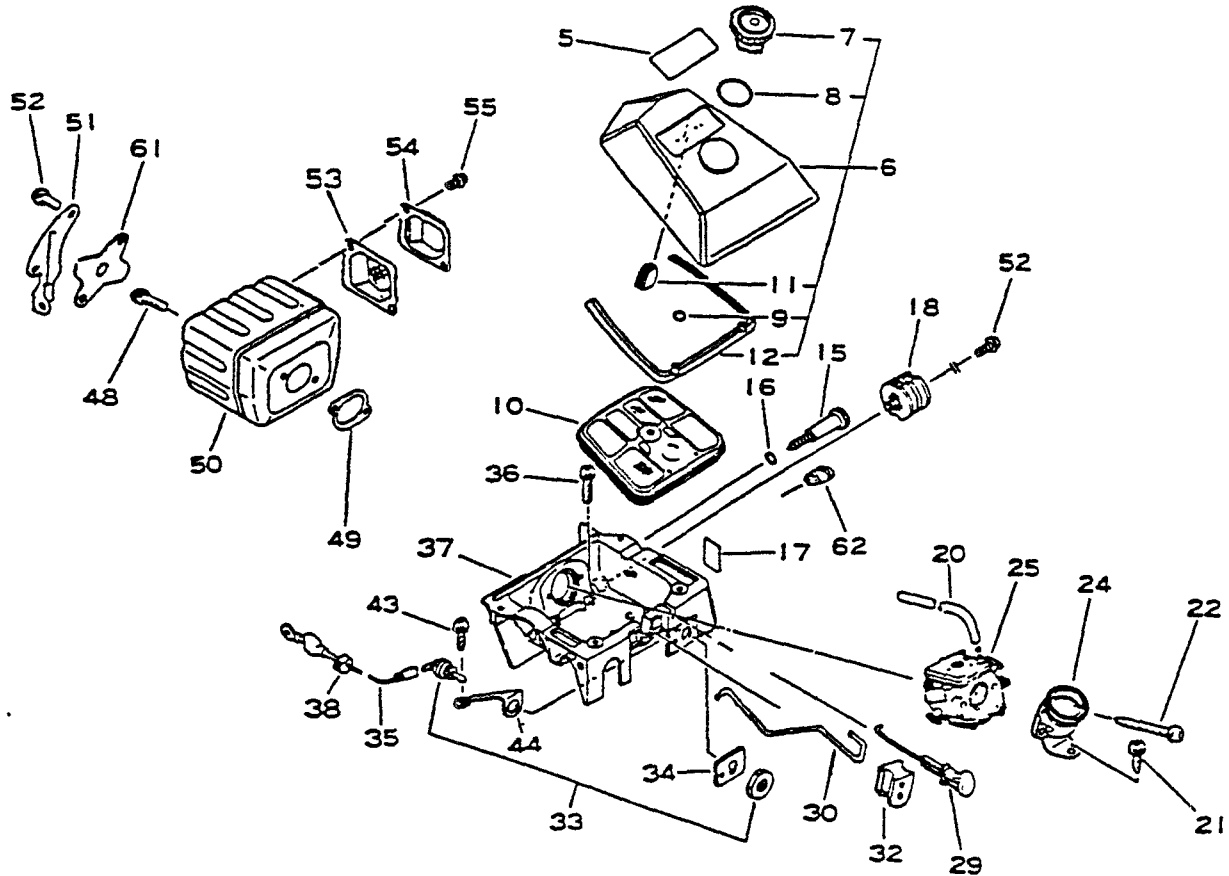


Opt. Cyl. Base Gask. 101010-32430

Key No.	Part Number	Q'ty	Description	Key No.	Part Number	Q'ty	Description
1- 5	900 281-0502 0	11	Screw 5x20	1-26	-100 121-1983 0	1s	Bearing set
6	101 005-3233 0	1	Cylinder	32	-100 212-1983 0	1	Oilseal
7	100 011-3233 0	2	Ring, piston	41	-100 251-1983 0	1	Cushion
8	100 003-3233 0	1s	Piston + piston pin	(3-26)	-156 618-3013 0	1	Nut
9	100 015-3233 0	2	Circlip, piston pin	1-27	100 100-3233 0	1	Crankshaft assembly
12	130 516-3083 0	1	Band	10	-100 012-3233 0	1	Bearing, needle
13	130 510-3243 0	1	Adapter, intake	28	100.142-3083 0	1	Key, Woodruff
14	433 016-1103 1	1	Screw, adjustment	29	100 917-3243 0	1	Cushion
15	433 028-1103 0	1	Clip	30	900 281-0501 4	2	Screw 5x14
16	433 014-0283 0	1	Tensioner	31	900 281-0503 5	4	Screw 5x35
17	433 000-1983 1	1	Catcher kit, chain	35	436 001-1983 2	1	Cap assembly, oil
18	-900 281-0502 0	1	Screw 5x20	36	-436 012-1983 0	1	Seal
19	-900 600-0000 5	1	Washer 5	37	-131 050-1983 0	1	Holder
*24	100204 38130	1s	Crankcase	38	-900 258-0300 8	1	Screw 3x8
20	-433 011-1983 0	2	Stud	39	-131 051-1983 0	1	Connector
21	-900 345-5001 0	1	Pin, spring	45	101 506-3253 0	1	Cover, cylinder
22	-100 212-3243 0	1	Oilseal	46	130 823-3233 0	1	Screen
23	-436 114-1393 0	1	Valve, check	47	130 822-3233 0	1	Screen
25	-100 215-0283 0	2	Pin, dowel	55	130 325-3233 0	1	Stud

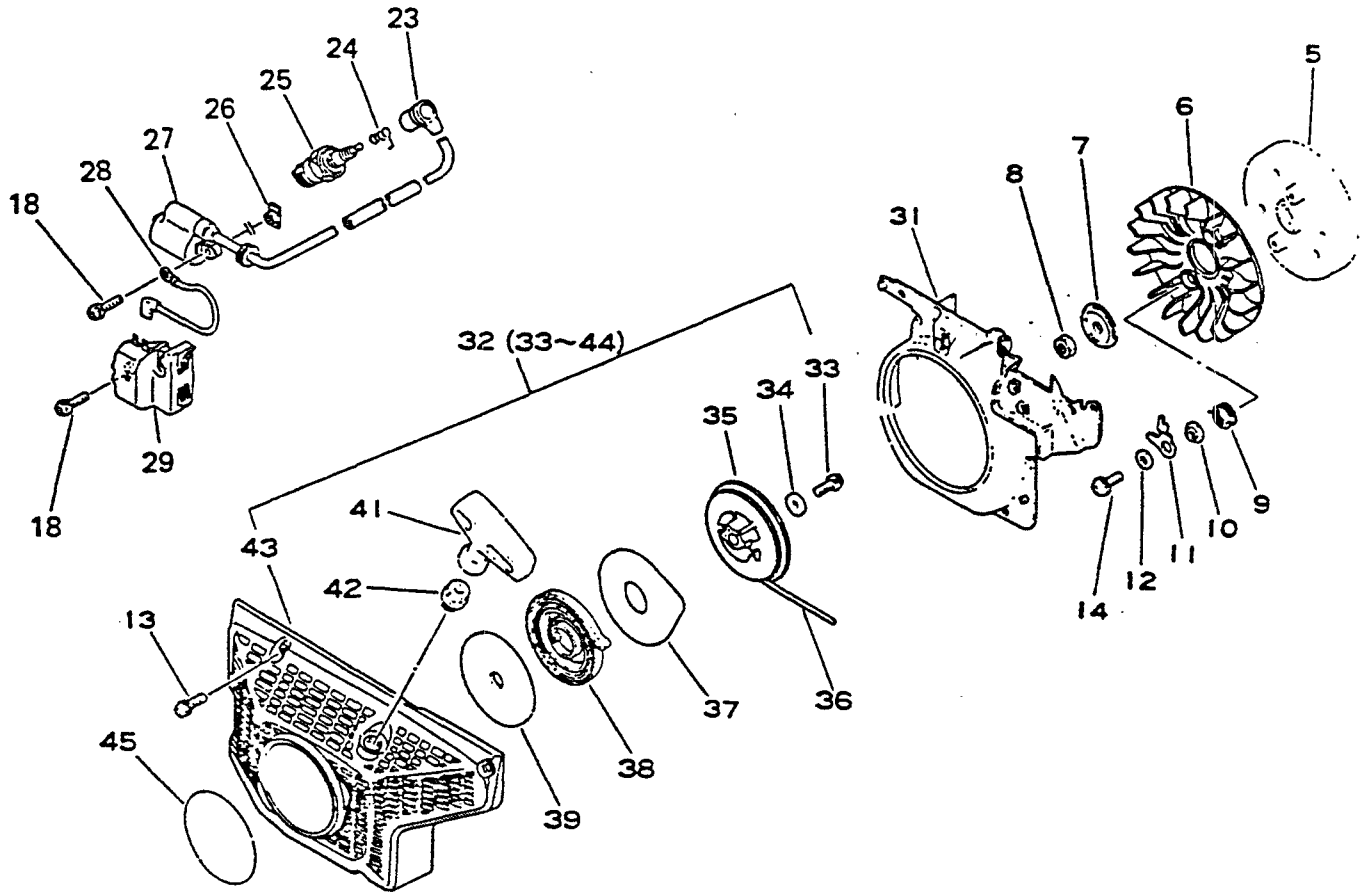
898 612-3253 0

* REVISED 11/94



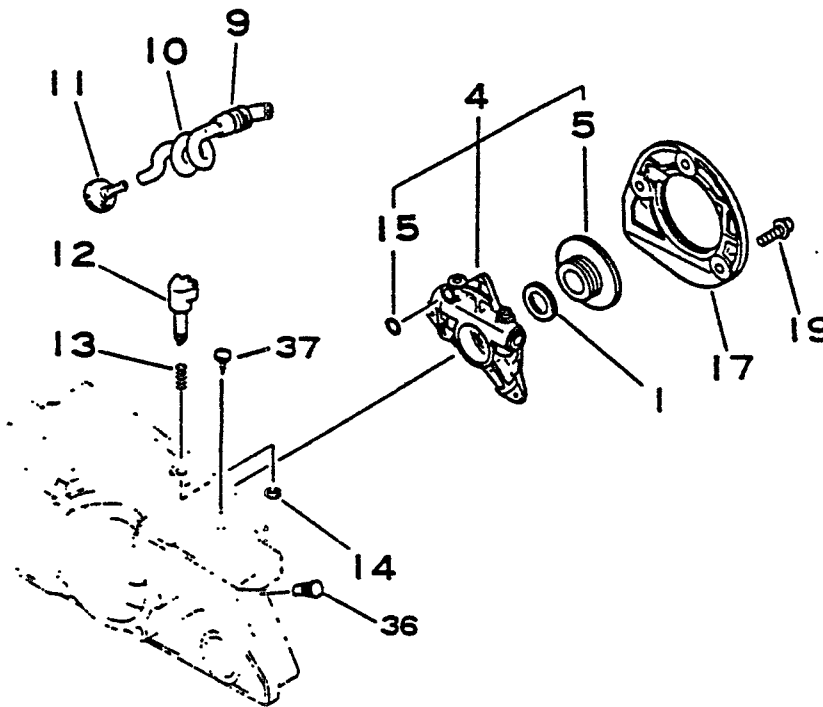
Key No.	Part Number	Q'ty	Description	Key No.	Part Number	Q'ty	Description
2- 5	890 151-3253 0	1	Label	30	178 011-3263 0	1	Rod, throttle
6	130 302-3253 0	1	Cover	32	178 114-3263 0	1	Holder, throttle rod
7	-130 406-3263 0	1	Knob, cleaner cover	33	163 400-3083 0	1	Switch, ignition
8	-900 720-0002 2	1	O-ring 22	34	890 157-1983 0	1	Label
9	-900 720-0001 1	1	O-ring 11	35	162 022-3253 0	1	Lead, ground
11	-130 338-3243 0	1	Plug	37	130 306-3233 0	1	Case, carburetor
12	-130 365-3243 0	1	Gasket	38	156 114-0492 0	1	Grommet
* 10	130 300-3243 1	1	Cleaner assembly, air	44	156 635-3243 0	1	Plate
15	129 013-3083 1	1	Screw, idle speed	48	900 281-0502 0	6	Screw 5x20
16	900 720-0000 7	1	O-ring 7	49	145 510-3243 0	1	Gasket, muffler
17	890 185-0346 0	1	Label	50	145 810-3253 0	1	Muffler
18	100 905-3233 0	1	Cushion	51	145 711-3243 0	1	Bracket
20	132 010-1393 2	1	Pipe	52	900 281-0501 4	2	Screw 5x14
21	900 285-0501 4	1	Screw 5x14	53	145 862-3253 0	1	Screen
22	900 285-0505 3	2	Screw 5x53	54	145 861-3253 0	1	Lid, muffler
23	129 011-1983 1	1	Plate	55	900 242-0401 0	2	Screw 4x10
24	130 518-3243 1	1	Connector	61	145 813-3173 0	1	Cover, muffler
25	123 000-3233 0	1	Carburetor assembly	62	129010 32430	1	Grommet
29	178 510-3243 0	1	Rod, choke				

* Optional felt air filter-130 300 3263 0



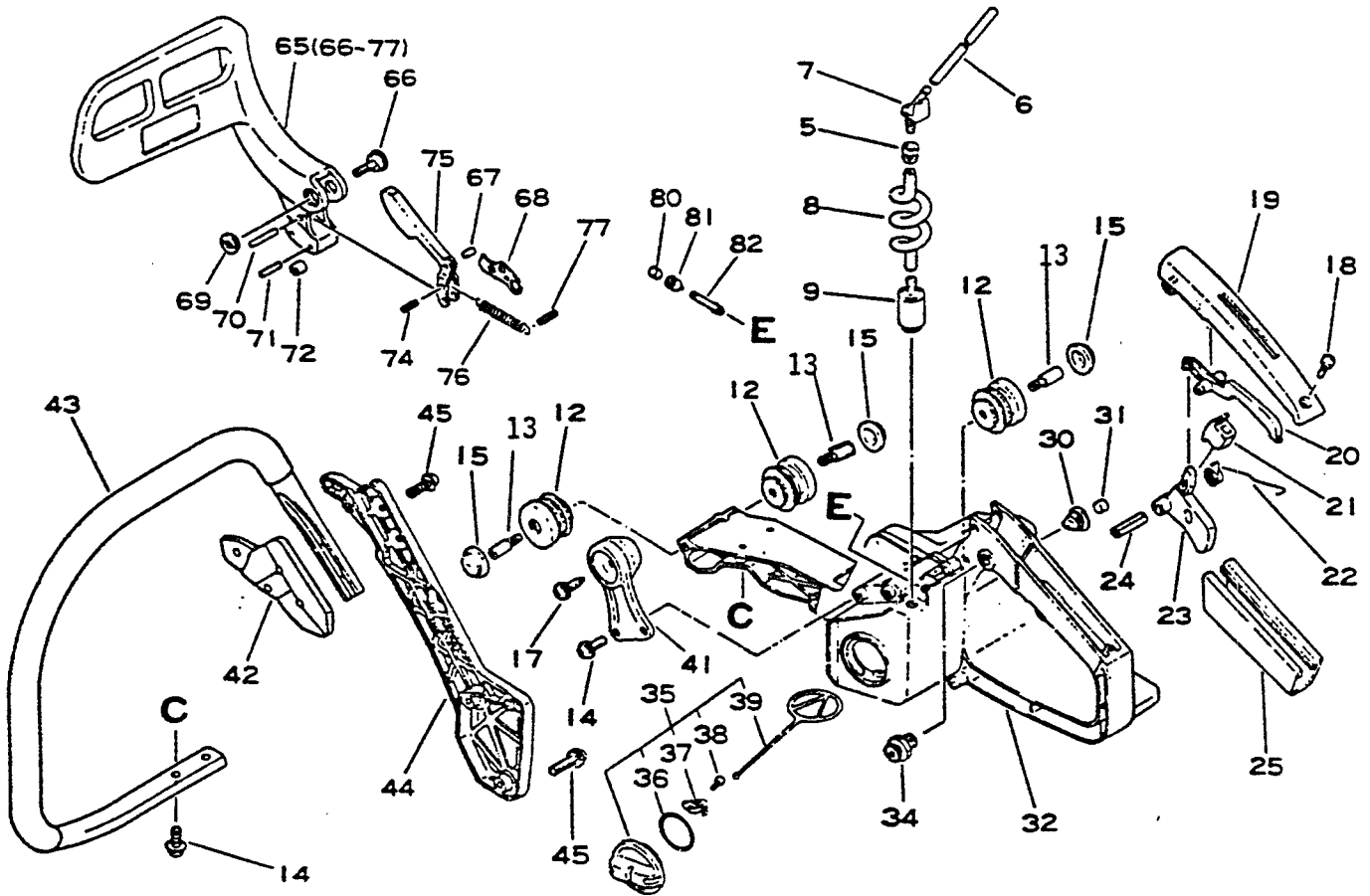
FOR SNOW PROTECTOR INFO. SEE PARTS BULL. 88-13P

Key No.	Part Number	Q'ty	Description	Key No.	Part Number	Q'ty	Description
3- 5	156 802-3013 0	1	Flywheel	3-33	-900 281-0501 4	1	Screw 5x14
(1-28)	-100 142-3083 0	1	Key, Woodruff	34	-900 603-0000 5	1	Washer 5
6	101 521-3233 0	1	Fan	35	-177 215-3233 0	1	Reel, starter
7	100 143-1983 0	1	Washer	36	-177 226-0283 0	1	Rope, starter
8	900 500-0000 8	1	Nut 8	37	-177 242-3083 0	1	Plate
9	177 234-1983 0	2	Spring, pawl				
10	177 247-1983 0	2	Spacer	38	-177 220-0283 4	1	Spring, rewind
11	177 218-1453 0	2	Pawl, starter	39	-177 221-0283 0	1	Plate
12	900 603-0000 5	2	Washer 5	41	-177 228-3083 0	1	Grip, starter
13	900 281-0502 0	4	Screw 5x20	42	-177 227-1063 0	1	Guide, rope
14	900 281-0501 4	2	Screw 5x14	43	-101 507-3233 0	1	Cover, fan
18	900 281-0402 0	4	Screw 4x20	45	890 112-1833 1	1	Label
23	159 012-0343 3	1	Cap, spark plug				
24	159 011-0343 2	1	Coil, spark plug cap				
25	159 017-1643 1	1	Plug, spark				
26	156 618-3013 0	1	Nut				
27	156 626-3263 0	1	Coil, ignition				
28	156 630-3013 0	1	Lead				
29	156 601-3013 1	1	Module, CDI				
31	101 535-3243 0	1	Cover, fan				
32	177 200-3233 0	1	Starter assembly				

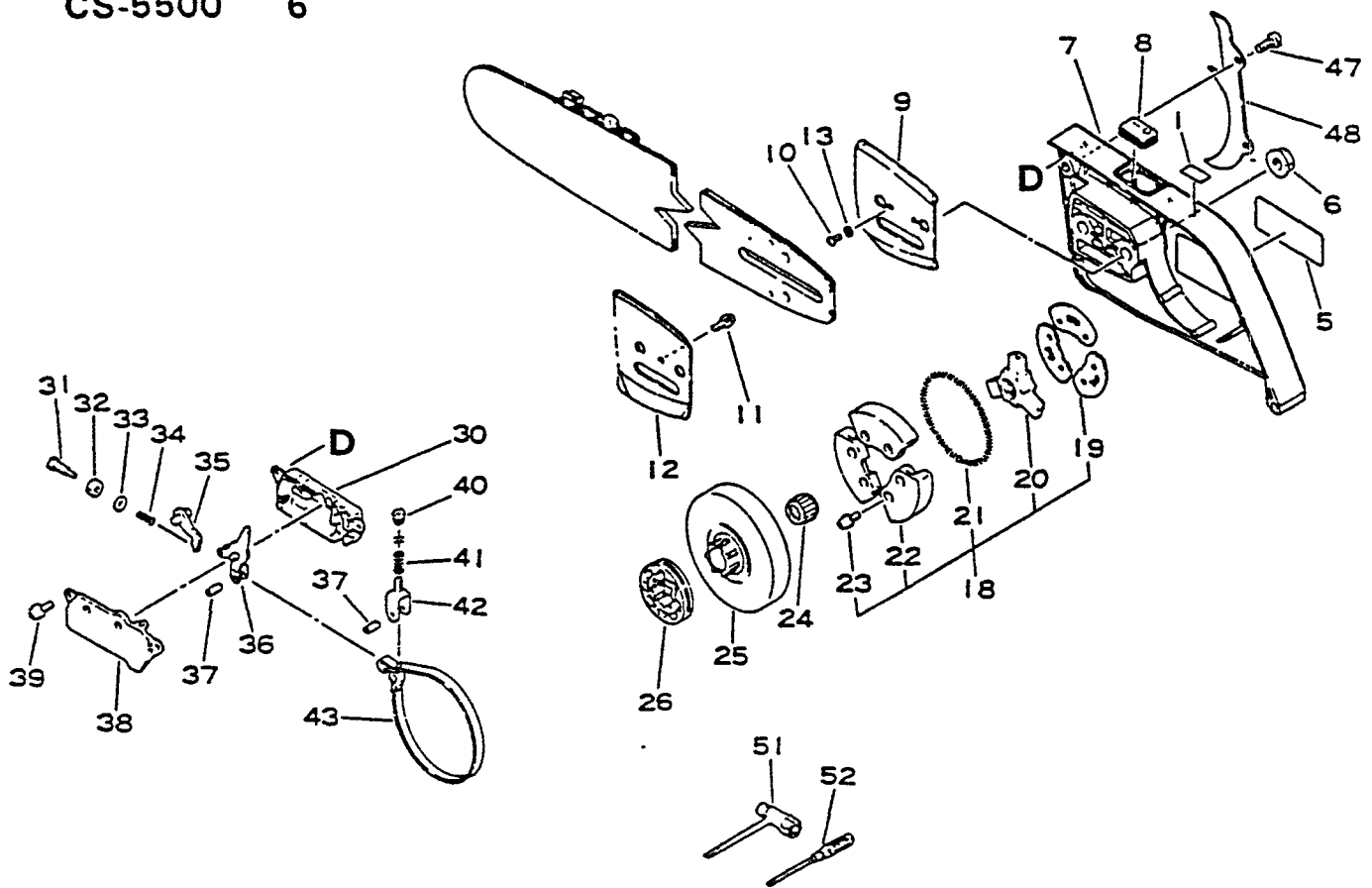


Key No.	Part Number	Q'ty	Description	Key No.	Part Number	Q'ty	Description
4- 1	100 127-1983 0	1	Washer				
4	437 000-3233 0	1	Auto-oiler assembly				
5	-437 063-3013 0	1	Wheel, worm				
15	-900 720-0000 3	1	O-ring 3				
9	132 115-1233 0	1	Grommet				
10	437 210-3243 0	1	Pipe				
11	436 205-1473 0	1	Strainer, oil				
12	437 039-1983 1	1	Dial, auto-oiler				
13	437 015-1983 0	1	Spring				
14	900 700-0000 3	1	E-ring 3				
17	437 605-3243 0	1	Plate				
19	900 281-0401 4	3	Screw 4x14				
36	100 610-3013 0	1	Plug				
*37	130337-30130	1	Plug, Carb. Case				
* REVISED 11/94							

CS-5500 5

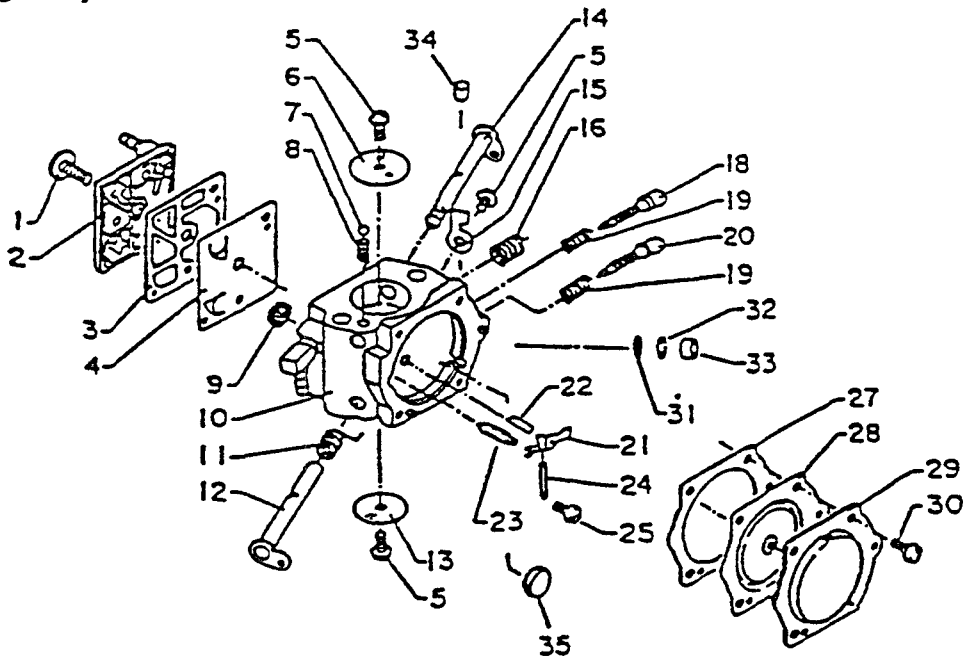


Key No.	Part Number	Q'ty	Description	Key No.	Part Number	Q'ty	Description
5-5	132 115-0146 0	2	Grommet	5-36	-900 258-0300 8	1	Screw 3x8
6	132 012-3243 0	1	Pipe	39	-131 051-1983 0	1	Connector
7	132 011-1983 0	1	Connector, fuel pipe	41	100 921-3243 0	1	Cushion
8	132 010-3083 0	1	Pipe	42	351 207-3233 0	1	Supporter, front handle
9	131 205-0023 0	1	Strainer, fuel	43	351 606-3253 0	1	Handle, front
12	100 910-3236 0	3	Cushion	44	351 613-3233 0	1	Supporter, front handle
13	100 915-3263 0	3	Cushion stopper	45	900 281-0502 4	5	Screw 5x20
14	900 281-0501 4	4	Screw 5x14	65	433 201-3253 1	1	Lever assembly, brake
15	100 918-1983 0	3	Plug	66	-433 113-3013 0	1	Pin, pivot
17	900 285-0501 4	3	Screw 5x14	67	-900 330-4008 0	1	Needle
18	900 281-0401 4	1	Screw 4x14	68	-433 163-3243 0	1	Nut
19	351 155-3013 1	1	Grip, rear handle	69	-433 137-3013 0	1	Nut
20	178 090-3013 0	1	Lockout, throttle control	70	-900 330-3024 0	2	Needle 3x24
21	178 073-3243 0	1	Cushion	71	-900 330-3018 0	2	Needle 3x18
22	178 043-1983 0	1	Spring	72	-433 168-1993 0	1	Spacer
23	178 010-1983 0	1	Control, throttle	74	-900 345-3001 2	2	Pin, spring 3x12
24	900 345-5002 5	1	Pin, spring 5x25	75	-433 170-3013 0	1	Weight, brake
25	351 111-3013 0	1	Grip, rear handle	76	-433 114-3013 0	1	Spring
30	131 314-0632 0	1	Valve, check	77	-900 340-3002 0	1	Pin, spring 3x20
31	131 315-0502 0	1	Filter, check valve	80	131 300-4063 0	1	Vent
32	351 103-3243 1	1	Handle, rear	81	131 338-4063 0	1	Vent
34	178 302-3013 0	1	Latch, throttle	82	131 312-3243 0	1	Pipe, vent
35	131 004-1983 0	1	Cap assembly, fuel	83	130 111-0053 0	1	Clip
36	-900 720-0002 9	1	O-ring 29	84	100 915-3263 0	1	Screw
37	-131 050-1983 0	1	Holder				



Key No.	Part Number	Q'ty	Description	Key No.	Part Number	Q'ty	Description
6-1	890 155-3013 0	1	Label	6-31	-433 133-1993 0	1	Bolt
5	890 118-1833 1	1	Label	32	-900 502-0000 5	1	Nut 5
6	433 019-1233 0	2	Nut	33	-433 162-1993 0	1	Washer
7	433 005-3233 0	1	Guard, sprocket	34	-433 122-1993 0	1	Spring
8	433 312-1993 0	1	Cover	35	-433 209-1993 0	1	Stopper
9	433 012-3083 0	1	Plate, outer	36	-433 208-3023 0	1	Lever, brake
10	900 241-0300 6	1	Screw 3x6	37	-900 345-4001 0	2	Pin, spring 4x10
11	900 281-0400 8	1	Screw 4x8	38	-433 310-1993 1	1	Cover
*12	433 013-3083 0	1	Plate, inner Inc. 13	39	-900 281-0401 0	2	Screw 4x10
18	175 000-1983 0	1	Clutch assembly	40	-433 169-1993 1	1	Nut
19	-175 019-1983 0	3	Plate	41	-433 161-1993 0	1	Spring
20	-175 016-1983 0	1	Hub, clutch	42	-433 142-1993 1	1	Adjuster, band
21	-175 018-1983 0	1	Spring, clutch	43	433123 32330	1	Band, brake
22	-175 002-1983 0	1	Shoe set, (3) Clutch	47	880 211-3013 0	2	Bolt
23	-900 281-0400 8	6	Screw 4x8	48	880 200-3243 0	1	Bumper, spiked Inc. 47
24	175 012-1983 0	1	Bearing, needle	51	895 410-0283 0	1	Wrench w/screwdriver
25	175 105-1983 1	1	Drum, clutch	52	895 812-0393 0	1	Screwdriver
26	175 114-1253 0	1	Sprocket, rim				
	433 202-3233 0	1	Brake kit, chain				
30	-433 306-1993 0	1	Cover, brake				

*13 900605 00003 1 Washer, spring



Key No.	Part Number	Q'ty	Description	Key No.	Part Number	Q'ty	Description
7-	123 000-3233 0	1	Carburetor assembly	7-19	A	2	Spring, idle needle
1	-123 110-1613 0	1	Screw	20	-123 120-1843 1	1	Needle, high speed
2	-123 124-1983 0	1	Cover, pump	21	A	1	Lever, metering
3	A B	1	Gasket, pump	22	A	1	Spring, metering lever
4	A B	1	Diaphragm, pump	23	A	1	Valve, inlet needle
5	-123 114-0393 0	3	Screw	24	A	1	Pin, metering lever
6	-123 132-1733 0	1	Valve, choke contro	25	A	1	Screw
7	-123 136-1063 0	1	Ball	27	A B	1	Gasket, metering diaphragm
8	-123 135-1063 0	1	Spring	28	A B	1	Diaphragm, metering
9	A	1	Screen, inlet	29	-123 142-1733 0	1	Cover, metering diaphragm
11	-123 113-1613 0	1	Spring, throttle return	30	A	4	Screw
12	-123 117-3243 0	1	Shaft, throttle	31	A	1	Screen
13	-123 132-1613 0	1	Valve, throttle	32	A	1	Ring, retaining
14	-123 131-1983 0	1	Rod, choke control	33	A	1	Plug, Welch
15	-123 156-3083 0	1	Stop, throttle	34	-123 178-1503 0	1	Plug, friction
18	-123 118-1833 1	1	Needle, idle mixture	35	A	1	Plug, Welch

(A) Use Carburetor repair kit ; 123 100-3083 0
 (B) Use Carburetor diaphragm/gasket ; 123 101-1733 0

BAR & CHAIN OPTIONS:

- 160336801 16" Double Guard Bar
- 200337901 20" Double Guard Bar
- 240339101 24" Double Guard Bar
- 333068 33SL-68G 16" Chain
- 333079 33SL-79G 20" Chain
- 333091 33SL-79G 24" Chain