



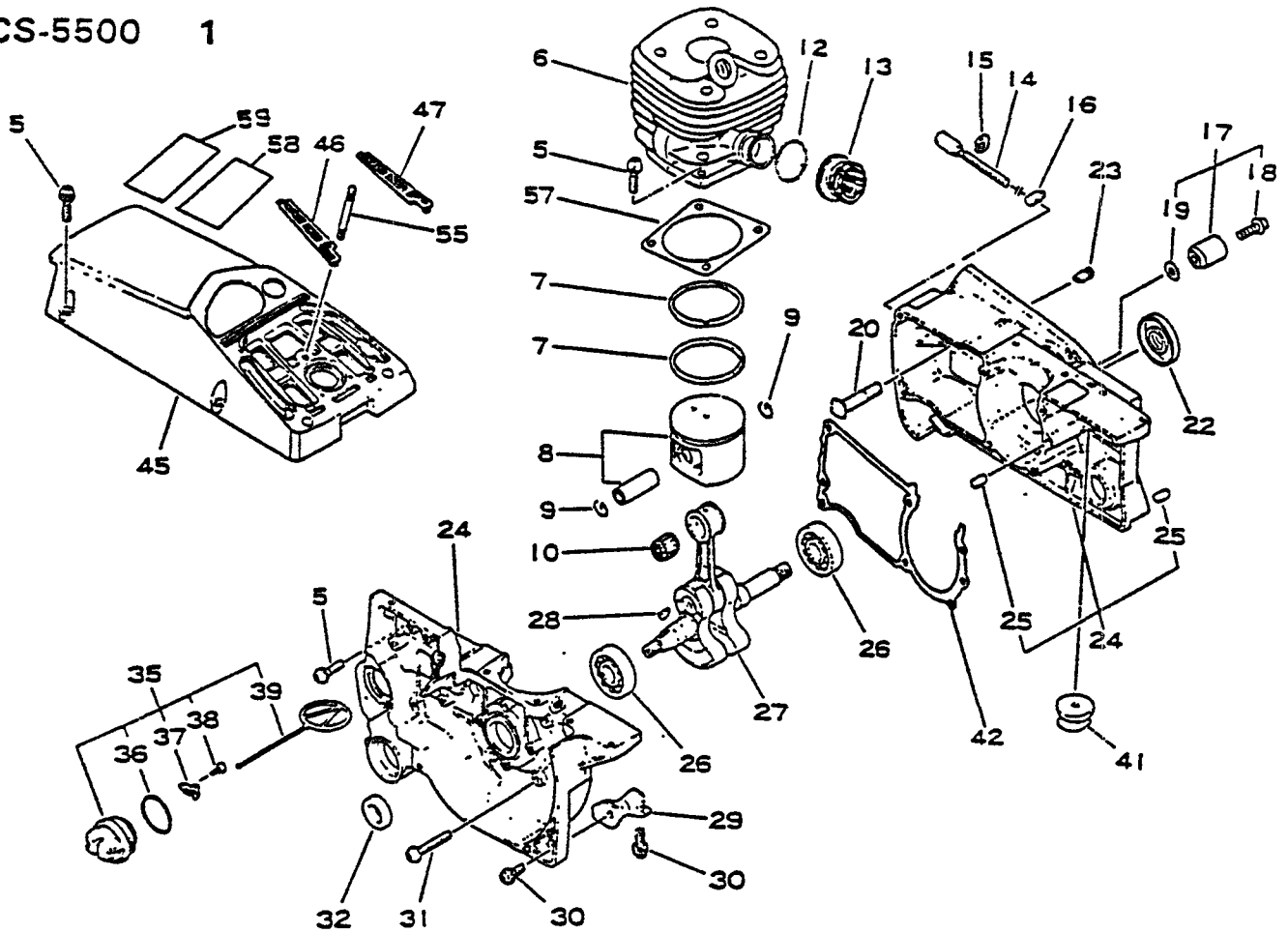
**CHAIN SAW
PARTS CATALOG
MODEL CS-5500
SERIAL NUMBER 020977 & UP**

**ECHO, INCORPORATED
400 OAKWOOD ROAD
LAKE ZURICH, IL 60047**

999222 02256

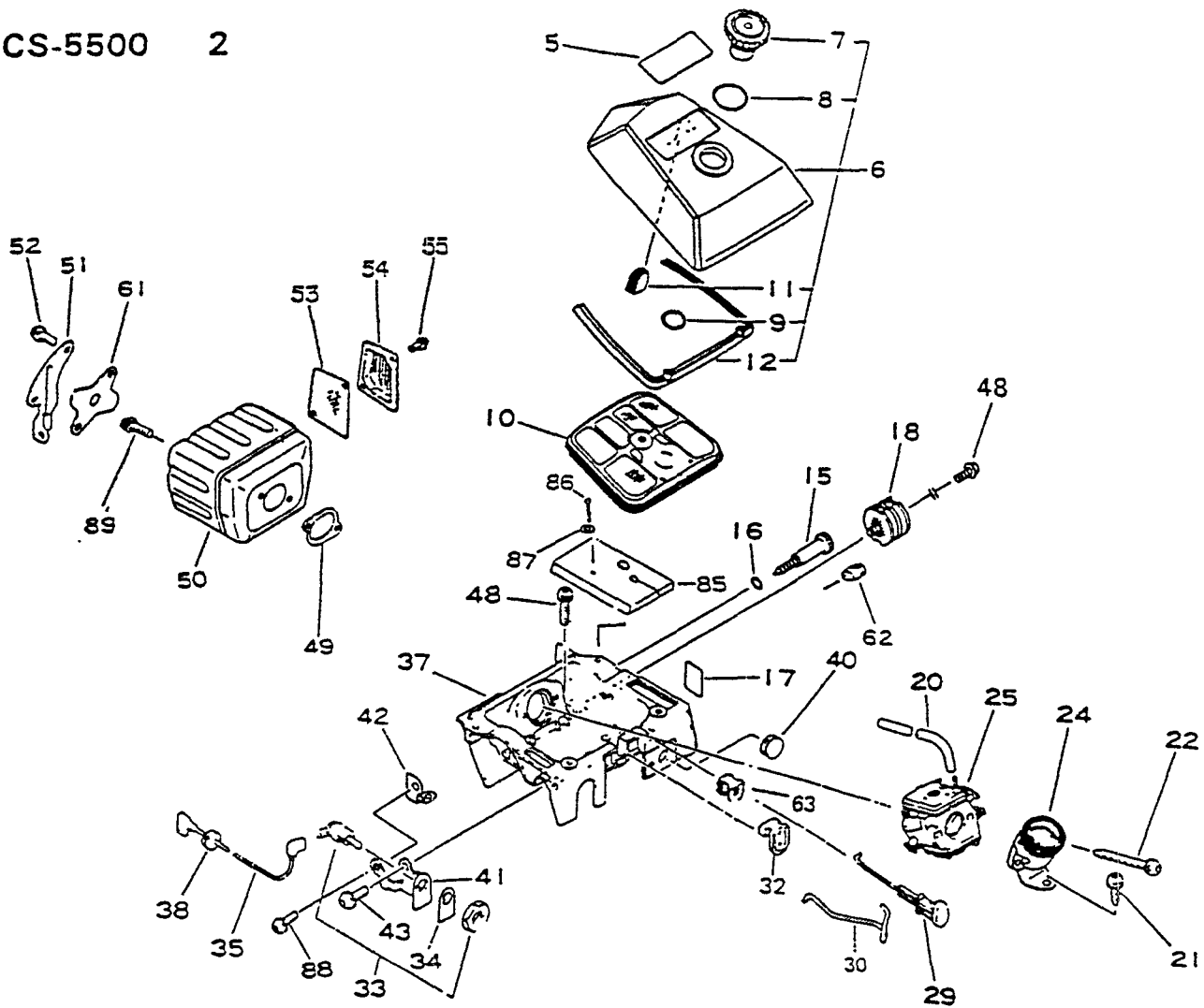
11/94

CS-5500 1

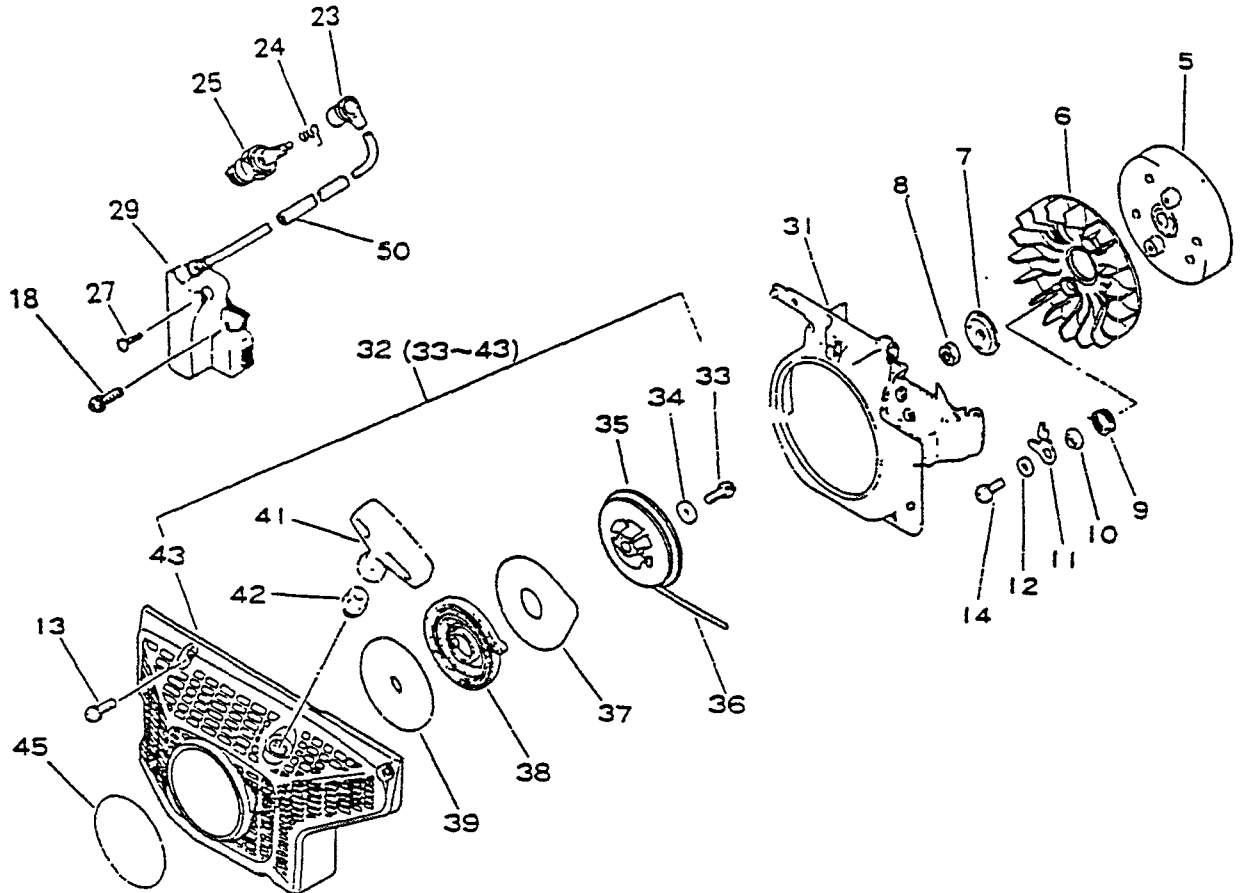


| KEY LV PART NUMBER | Q'TY | DESCRIPTION | KEY LV PART NUMBER | Q'TY | DESCRIPTION |
|--------------------|--------------|-----------------------|--------------------|--------------|----------------------|
| 1-5 | 900162-05020 | 11 BOLT, H.S. 5*20 | 27 | 100100-32330 | 1 CRANKSHAFT |
| 6 | 101001-32331 | 1 CYLINDER ASSY | 10 + | 100012-32330 | 1 BEARING, NEEDLE |
| 57 + | 101010-32431 | 1 GASKET, CYL. BASE | 28 | 100142-30830 | 1 KEY, WOODRUFF |
| 8 | 100000-32330 | 1 PISTON KIT | 29 | 100917-32430 | 1 CUSHION |
| 7 + | 100011-32330 | 2 RING, PISTON | 30 | 900162-05014 | 2 BOLT, H.S. 5*14 |
| 9 + | 100015-32330 | 2 CIRCLIP, PISTON PIN | 31 | 900162-05035 | 4 BOLT, H.S. 5*35 |
| 12 | 130516-30830 | 1 BAND | 35 | 436001-37932 | 1 CAP ASSY, OIL TANK |
| 13 | 130510-32430 | 1 ADAPTER, INTAKE | 36 + | 900725-02025 | 1 O-RING 2025 |
| 14 | 433016-11031 | 1 SCREW, TENSIONER | 37 + | 131050-19830 | 1 RETAINER, LINK |
| 15 | 433028-11030 | 1 CLIP | 38 + | 900246-03008 | 1 SCREW 3* 8 |
| 16 | 433014-02830 | 1 TENSIONER | 39 + | 131051-19830 | 1 CLIP, FUEL CAP |
| 17 | 433000-19831 | 1 CATCHER KIT, CHAIN | 45 | 101506-38230 | 1 COVER, CYLINDER |
| 18 + | 90023805020 | 1 SCREW 5=14 | 46 | 13081132330 | 1 SCREEN, CLEANER |
| 19 + | 900600-00005 | 1 WASHER | 47 | 13081132330 | 1 SCREEN, CLEANER |
| *24 | 100204 38130 | 1 CRANKCASE KIT | 55 | 130325-32330 | 1 STUD, AIR CLEANER |
| 20 + | 433011-19830 | 2 STUD, GUIDE BAR | 58 | 890191-30130 | 1 LABEL, CAUTION |
| 21 + | 900345-50010 | 1 PIN, SPRING 5*10 | 59 | 890192-32531 | 1 LABEL, CAUTION |
| 22 + | 100212-32430 | 1 OILSEAL | | | |
| 23 + | 436114-13930 | 1 VALVE, CHECK | | | |
| 25 + | 100215-02830 | 2 PIN, DOVEL | | | |
| 26 + | 100121-19830 | 1 BEARING, BALL | | | |
| 32 + | 100212-19830 | 1 OILSEAL | | | |
| 41 + | 100251-32430 | 1 CUSHION (A)- | | | |
| 42 + | 100242-32430 | 1 GASKET, CRANKCASE | | | |

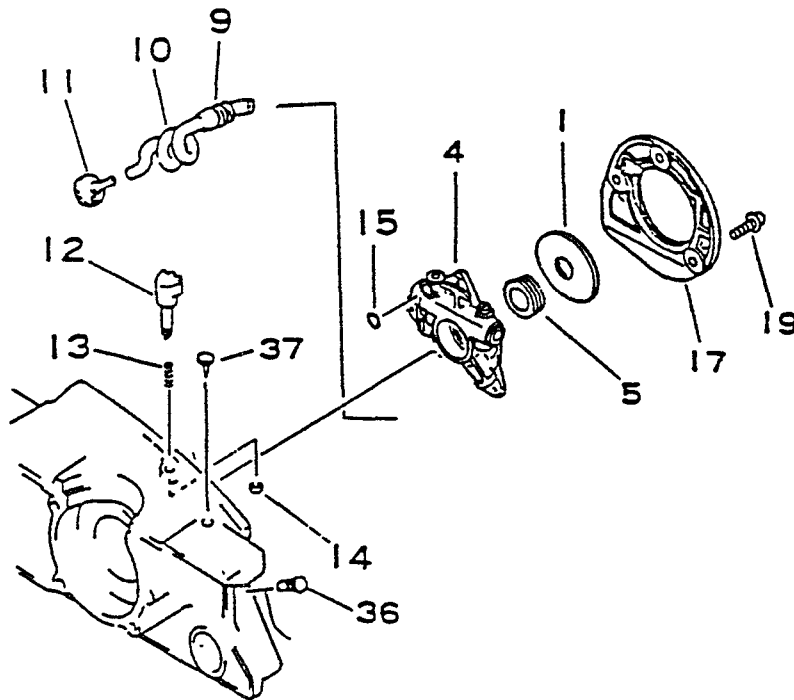
*REVISED 11/94



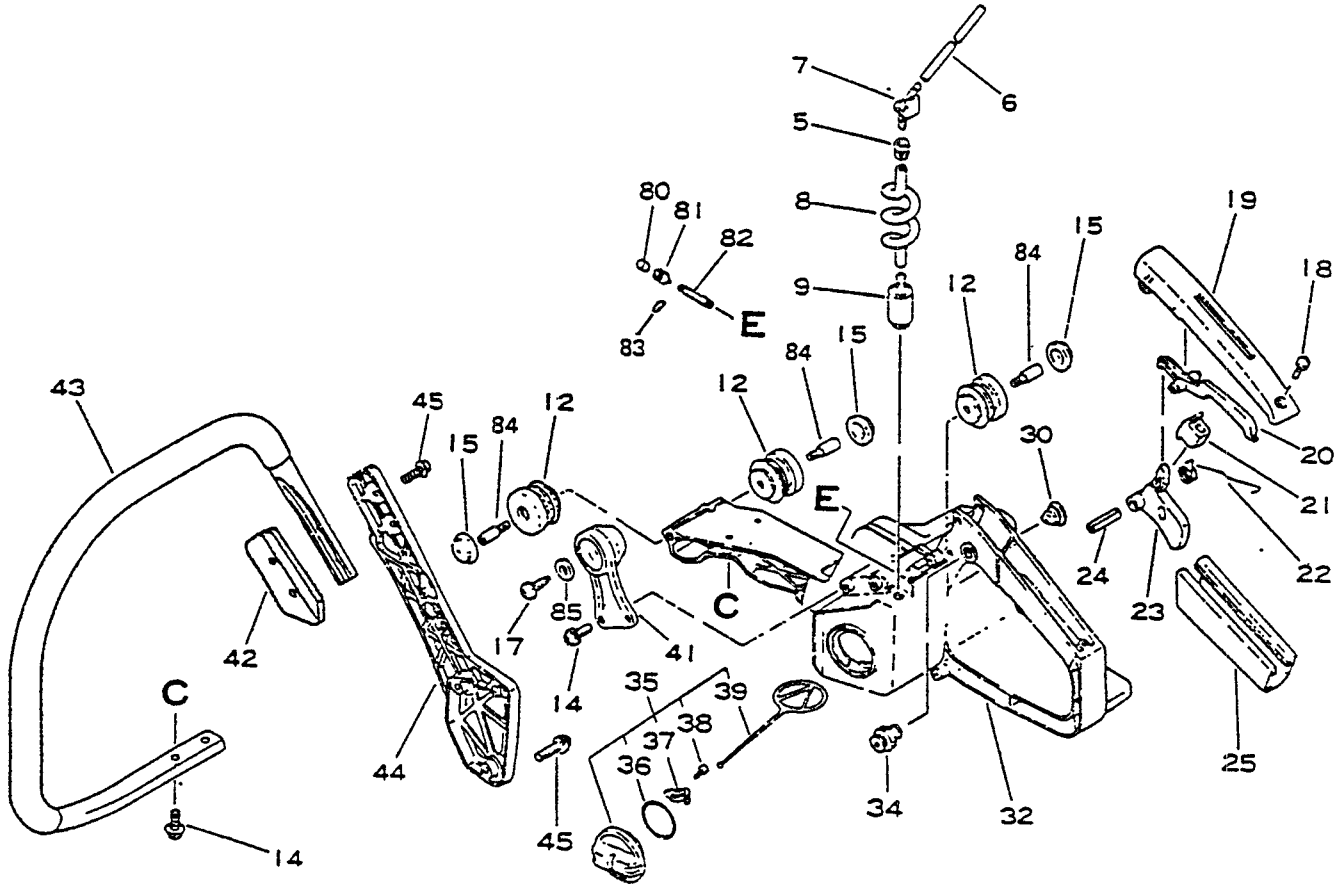
| KEY LV PART NUMBER | Q'TY | DESCRIPTION | KEY LV PART NUMBER | Q'TY | DESCRIPTION |
|--------------------|------|-----------------------------------|--------------------|------|-------------------------------|
| 2-5 | 1 | 890161-38230 LABEL, MODEL | 38 | 1 | 156114-04920 GROMMET |
| 6 | 1 | 130302-32530 COVER ASS'Y, AIR CLN | 40 | 1 | 163911-30130 PLUG |
| 7 | 1 | + 130406-32630 NUT, THUMB | 41 | 1 | 163810-30130 BRACKET, SWITCH |
| 8 | 1 | + 900720-00022 O-RING 22 | 42 | 1 | 156635-32530 PLATE, CONTACT |
| 9 | 1 | + 900720-00011 O-RING 11 | 43 | 1 | 900238-05014 SCREW 5#14 |
| 11 | 1 | + 130338-32430 PLUG, COVER | 48 | 5 | 900238-05020 SCREW 5#20 |
| 12 | 1 | + 130365-32430 SEAL, CLEANER | 49 | 1 | 145510-32431 GASKET, MUFFLER |
| 10 | 1 | 130300-32431 FILTER, AIR | 50 | 1 | 145810-32530 MUFFLER, EXHAUST |
| 15 | 1 | 129013-07061 SCREW, IDLE ADJUST. | 51 | 1 | 145711-32430 STAY, MUFFLER |
| 16 | 1 | 900720-00007 O-RING 7 | 52 | 2 | 900162-05014 BOLT, H.S. 5#14 |
| 17 | 1 | 890185-03460 LABEL, IDLE | 53 | 1 | 145862-32530 SCREEN, ARRESTOR |
| 18 | 1 | 100905-32331 CUSHION (R) | 54 | 1 | 145861-32530 LID, MUFFLER |
| 20 | 1 | 130110-19830 PIPE | 55 | 2 | 900162-04010 BOLT, H.S. 4#10 |
| 21 | 1 | 900252-05014 SCREW 5#14 | 61 | 1 | 145813-31730 COVER, MUFFLER |
| 22 | 2 | 900252-05053 SCREW 5#53 | 63 | 1 | 178810-33330 GROMMET, CHOKE |
| 24 | 1 | 130518-32331 ADAPTER, INTAKE | 85 | 1 | 130320-32630 SEAL, CARB. CASE |
| 25 | 1 | 123000-32330 CARBURETOR HDA-53 | 86 | 1 | 900300-30018 PIN, SPLIT 3#18 |
| 29 | 1 | 178510-07060 ROD, CHOKE | 87 | 1 | 433162-19930 WASHER |
| 30 | 1 | 178011-32630 ROD, THROTTLE | 88 | 1 | 900252-04010 SCREW 4#10 |
| 32 | 1 | 17801132431 HOLDER, THR. LEVER | 89 | 2 | 900162-05020 BOLT, H.S. 5#20 |
| 33 | 1 | 163400-30830 SWITCH, IGNITION | | | |
| 34 | 1 | 890157-30130 LABEL, SWITCH | | | |
| 35 | 1 | 162021-32530 LEAD | | | |
| 37 | 1 | 130306-07060 CASE, CARBURETOR | | | |



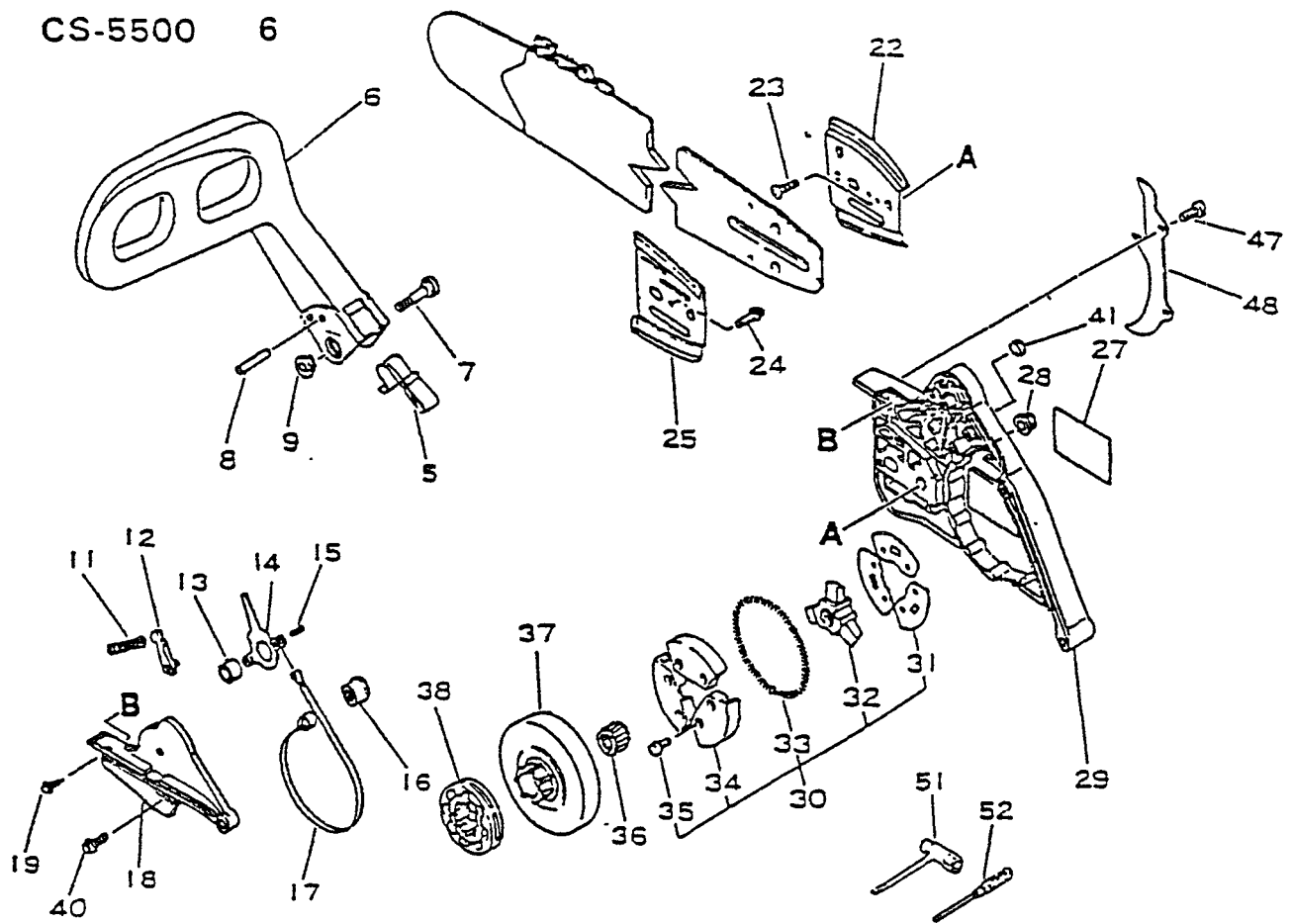
| KEY LV PART NUMBER | Q'TY | DESCRIPTION | KEY LV PART NUMBER | Q'TY | DESCRIPTION |
|--------------------|------|-----------------------------------|--------------------|------|-----------------------------|
| 3-5 | 1 | 156800-32630 FLYWHEEL | 39 + | 1 | 177221-02830 PLATE, STARTER |
| 6 | 1 | 101521-32330 FAN, COOLING | 41 + | 1 | 177228-30830 GRIP, STARTER |
| 7 | 1 | 100143-19830 WASHER | 42 + | 1 | 177227-07060 GUIDE, ROPE |
| 8 | 1 | 900500-00008 NUT 8 | 43 + | 1 | 101507-07061 COVER, FAN |
| 9 | 1 | 177234-19830 SPRING, RETURN | 45 | 1 | 890112-18332 LABEL, ECHO |
| 10 | 2 | 177247-19830 SPACER, RATCHET | 50 | 1 | 150611-32430 TUBE |
| 11 | 2 | 17721832630 PAWL, STARTER | | | |
| 12 | 2 | 900603-00005 WASHER 5 | | | |
| 13 | 4 | 900238-05020 SCREW 5#20 | | | |
| 14 | 2 | 900162-05014 BOLT, H.S. 5#14 | | | |
| 18 | 2 | 900162-04020 BOLT, H.S. 4#20 | | | |
| 23 | 1 | 159012-03433 CAP, SPARK PLUG | | | |
| 24 | 1 | 159011-03432 COIL, SPARK PLUG CAP | | | |
| 25 | 1 | 15901010630 PLUG, SPARK CJ-6Y | | | |
| 27 | 1 | 900242-04008 SCREW 4#8 | | | |
| 29 | 1 | 156601-32630 COIL, IGNITION | | | |
| 31 | 1 | 101535-07060 COVER, FAN | | | |
| 32 | 1 | 177200-07063 STARTER ASSY | | | |
| 33 + | 1 | 900162-05014 BOLT, H.S. 5#14 | | | |
| 34 + | 1 | 900603-00005 WASHER 5 | | | |
| 35 + | 1 | 177215-32330 DRUM, STARTER | | | |
| 36 + | 1 | 177226-07060 ROPE, STARTER | | | |
| 37 + | 1 | 177221-07060 PLATE, STARTER | | | |
| 38 + | 1 | 177220-02834 SPRING, REVIND | | | |



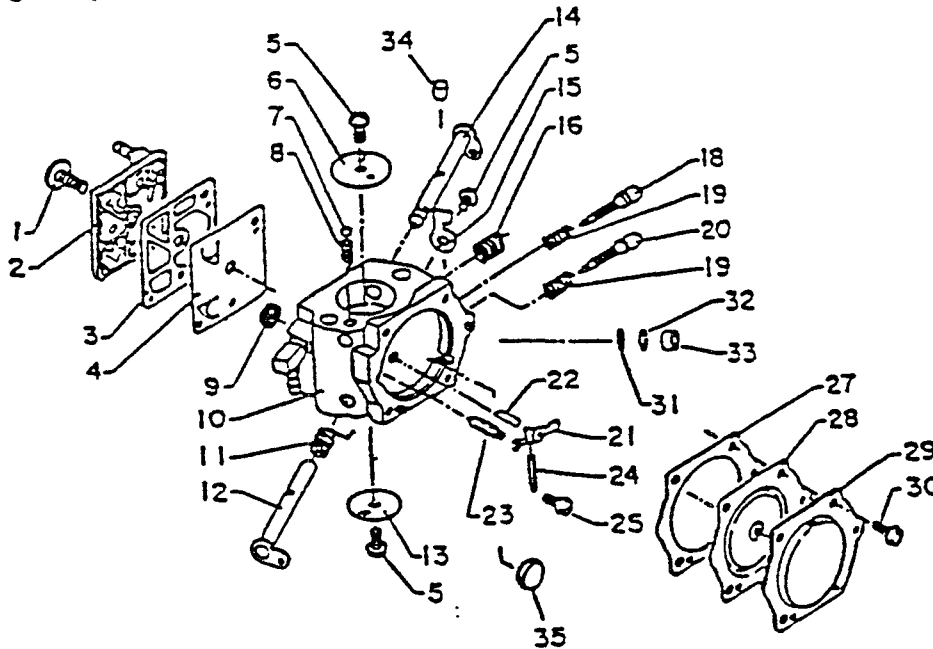
| KEY LV PART NUMBER | Q'TY | DESCRIPTION | KEY LV PART NUMBER | Q'TY | DESCRIPTION |
|--------------------|--------------|-----------------------|--------------------|------|-------------|
| 4-1 | 43700419931 | 1 WASHER, CIRCULAR 12 | | | |
| 4 | 43700037530 | 1 AUTO-OILER ASSEMBLY | | | |
| 5 | 437063-19930 | 1 GEAR, WORM | | | |
| 15 | 900720-00003 | 1 O-RING 3 | | | |
| 9 | 132115-12330 | 1 GROMMET | | | |
| 10 | 437210-32430 | 1 PIPE, OIL (INNER) | | | |
| 11 | 436205-14730 | 1 STRAINER, OIL | | | |
| 12 | 437039-37630 | 1 KNOB | | | |
| 13 | 437015-19830 | 1 SPRING | | | |
| 14 | 900700-00003 | 1 E-RING 3 | | | |
| 17 | 437605-37630 | 1 COVER, OIL PUMP | | | |
| 19 | 900220-04014 | 3 SCREW 4#14 | | | |
| 36 | 100610-30130 | 1 PLUG | | | |
| 37 | 130337-30130 | 1 PLUG, CARB. CASE | | | |



| KEY LV PART NUMBER | Q'TY | DESCRIPTION | KEY LV PART NUMBER | Q'TY | DESCRIPTION |
|--------------------|--------------|------------------------|--------------------|--------------|-------------------|
| 5- 5 | 13211501461 | 2 GROMMET, FUEL | 38 + | 900246-03008 | 1 SCREW 3# 8 |
| 6 | 132012-19830 | 1 PIPE 3#6#100 | 39 + | 131051-19830 | 1 CLIP, FUEL CAP |
| 7 | 132011-19830 | 1 CONNECTOR, FUEL PIPE | 41 | 10092132431 | 1 CUSHION |
| 8 | 132010-30830 | 1 PIPE | 42 | 351614-38230 | 1 BRACKET, HANDLE |
| 9 | 131205-30830 | 1 STRAINER, FUEL | 43 | 351606-38130 | 1 HANDLE, FRONT |
| 12 | 100910-32630 | 3 CUSHION | 44 | 351616-38230 | 1 BRACKET, HANDLE |
| 13 | 100917-19830 | 1 CUSHION | 45 | 900238-05020 | 5 SCREW 5#20 |
| 14 | 900162-05014 | 4 BOLT, H.S. 5#14 | 80 | 131300-40630 | 1 VENT ASSEMBLY |
| 15 | 100918-19830 | 3 CAP, CUSHION | 81 | 131328-40630 | 1 COVER, VENT |
| 17 | 100915-33930 | 1 SCREW | 82 | 131312-32430 | 1 PIPE, VENT |
| 18 | 900238-04014 | 1 SCREW 4#14 | 83 | 130111-00530 | 1 CLIP |
| 19 | 351155-30131 | 1 COVER, HANDLE | 84 | 100915 32530 | 3 Bolt |
| 20 | 178090-37930 | 1 LOCKOUT, T. CONTROL | 85 | 900600 00005 | 1 Washer 5 |
| 21 | 178073-32430 | 1 CUSHION, THROTTLE | | | |
| 22 | 178043-19830 | 1 SPRING, THR. RETURN | | | |
| 23 | 178010-38130 | 1 CONTROL, THROTTLE | | | |
| 24 | 900345-50025 | 1 PIN, SPRING 5#25 | | | |
| 25 | 351111-30130 | 1 GRIP | | | |
| 30 | 131329-32330 | 1 PLUG, FUEL TANK | | | |
| 32 | 351103-38130 | 1 HANDLE, REAR | | | |
| 34 | 178302-37630 | 1 LATCH, THROTTLE | | | |
| 35 | 131004-37630 | 1 CAP ASSEMBLY, FUEL | | | |
| 36 + | 900720-00029 | 1 O-RING 29 | | | |
| 37 + | 131050-19830 | 1 RETAINER, LINK | | | |



| KEY LV | PART NUMBER | Q'TY | DESCRIPTION | KEY LV | PART NUMBER | Q'TY | DESCRIPTION |
|--------|----------------|------|----------------------|--------|----------------|------|---------------------|
| 6-5 | 433114-38130 | 1 | SPRING, RETURN | 33 | + 175018-19830 | 1 | SPRING, CLUTCH |
| 6 | 433105-33530 | 1 | LEVER, BRAKE | 34 | + 175002-19830 | 1 | SHOE, CLUTCH |
| 7 | 433113-37530 | 1 | SCREW | 35 | + 900105-04006 | 6 | BOLT, H.S. 4# 6 |
| 8 | 900330-35260 | 1 | ROLLER 3.5#26 | 36 | 175012-19830 | 1 | BEARING, NEEDLE |
| 9 | 43313730130 | 1 | NUT | 37 | 175105-19831 | 1 | DRUM, CLUTCH |
| 11 | 433122-38130 | 1 | SPRING, BRAKE | 38 | 175114-12530 | 1 | RIV, SPROCKET 31569 |
| 12 | 433209-35430 | 1 | STOPPER, BRAKE | 40 | 900220-03018 | 1 | SCREW 3#18 |
| 13 | 433116-35430 | 1 | SPACER 8 | 41 | 900500-00003 | 1 | NUT 3 |
| 14 | 433208-35430 | 1 | LEVER, BRAKE | 48 | 880200-32430 | 1 | BUMPER, SPIKED |
| 15 | 900345-40008 | 1 | PIN, SPRING 4# 8 | 47 | + 880211-30130 | 2 | BOLT |
| 16 | 433142-35430 | 1 | ADJUSTER | 51 | 895410-02830 | 1 | WRENCH, W/S-DRIVER |
| 17 | 433123-32530 | 1 | BAND, BRAKE | 52 | 895812-03930 | 1 | SCREWDRIVER 50 |
| 18 | 433310-38230 | 1 | COVER, BRAKE | | | | |
| 19 | 900252-04012 | 2 | SCREW 4#12 | | | | |
| 22 | 433012-30830 | 1 | PLATE, GUIDE (OUTER) | | | | |
| 23 | 900241-03006 | 1 | SCREW 3# 6 | | | | |
| 24 | 900238-04008 | 1 | SCREW 4# 8 | | | | |
| 25 | 433013-30830 | 1 | PLATE, GUIDE (INNER) | | | | |
| 27 | 89011838130 | 1 | LABEL, ECHO | | | | |
| 28 | 433019-12330 | 2 | NUT, FLANGE 8 | | | | |
| 29 | 43301038231 | 1 | GUARD, SPROCKET | | | | |
| 30 | 175000-37531 | 1 | CLUTCH ASSEMBLY | | | | |
| 31 | + 175019-19830 | 3 | PLATE, CLUTCH | | | | |
| 32 | + 175016-19830 | 1 | HUB, CLUTCH | | | | |



| KEY LV | PART NUMBER | Q'TY | DESCRIPTION | KEY LV | PART NUMBER | Q'TY | DESCRIPTION |
|--------|--------------|------|----------------------|---------------------------------|--------------|------|----------------------|
| 7- | 123000-32330 | 1 | CARBURETOR HDA-53 | 28 + | (A) (B) | 1 | DIAPHRAGM, METERING |
| 1 + | 123110-16130 | 1 | SCREW | 29 + | 123142-17330 | 1 | COVER, M. DIAPHRAGM |
| 2 + | 123124-19830 | 1 | COVER, FUEL PUMP | 30 + | (A) | 4 | SCREW |
| 3 + | (A) (B) | 1 | GASKET, FUEL PUMP | 31 + | (A) | 1 | SCREEN |
| 4 + | (A) (B) | 1 | DIAPHRAGM, FUEL PUMP | 32 + | (A) | 1 | RING, RETAINING |
| 5 + | 123114-03930 | 3 | SCREW | 33 + | (A) | 1 | PLUG, WELCH |
| 6 + | 123132-17330 | 1 | VALVE, CHOKE | 34 + | 123178-15030 | 1 | PLUG, FRICTION |
| 7 + | 123136-10630 | 1 | BALL, CHOKE FRICTION | 35 + | (A) | 1 | PLUG, WELCH |
| 8 + | 123135-10630 | 1 | SPRING, CHOKE FRICT. | | | | |
| 9 + | (A) | 1 | SCREEN, INLET | <u>BAR & CHAIN OPTIONS:</u> | | | |
| 11 + | 123113-16130 | 1 | SPRING, THRT. RETURN | 160336801 | | | 16" Double Guard Bar |
| 12 + | 123117-32430 | 1 | SHAFT, THROTTLE | 200337901 | | | 20" Double Guard Bar |
| 13 + | 123132-16130 | 1 | VALVE, CHOKE | 240339101 | | | 24" Double Guard Bar |
| 14 + | 123131-19830 | 1 | SHAFT, CHOKE | 333068 | | | 33SL-68G 16"Chain |
| 15 + | 123156-30830 | 1 | STOP, THROTTLE | 333079 | | | 33SL-79G 20"Chain |
| 18 + | 123118-18331 | 1 | NEEDLE, IDLE | 333091 | | | 33SL-79G 24"Chain |
| 19 + | (A) | 2 | SPRING, NEEDLE | | | | |
| 20 + | 123120-18431 | 1 | NEEDLE, HIGH SPEED | | | | |
| 21 + | (A) | 1 | LEVER, METERING | | | | |
| 22 + | (A) | 1 | SPRING, METER. LEVER | | | | |
| 23 + | (A) | 1 | VALVE, INLET NEEDLE | | | | |
| 24 + | (A) | 1 | PIN, METERING LEVER | | | | |
| 25 + | (A) | 1 | SCREW, M. LEVER PIN | | | | |
| 27 + | (A) (B) | 1 | GASKET, M. DIAPHRAGM | | | | |

(A) Use Carburetor repair kit ; 123 100-3083 0
 (B) Use Carburetor diaphragm/gasket kit ; 123 101-1733 0