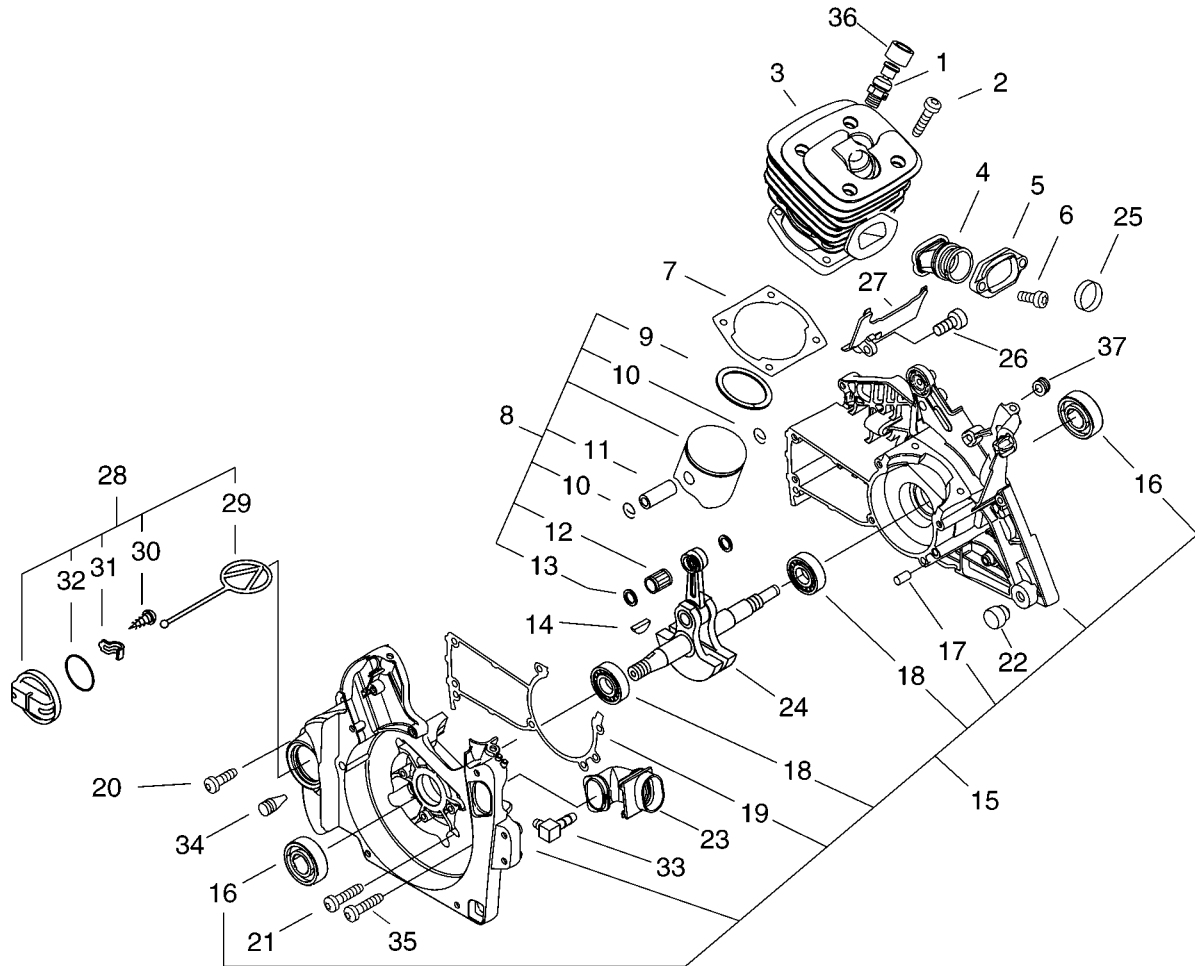
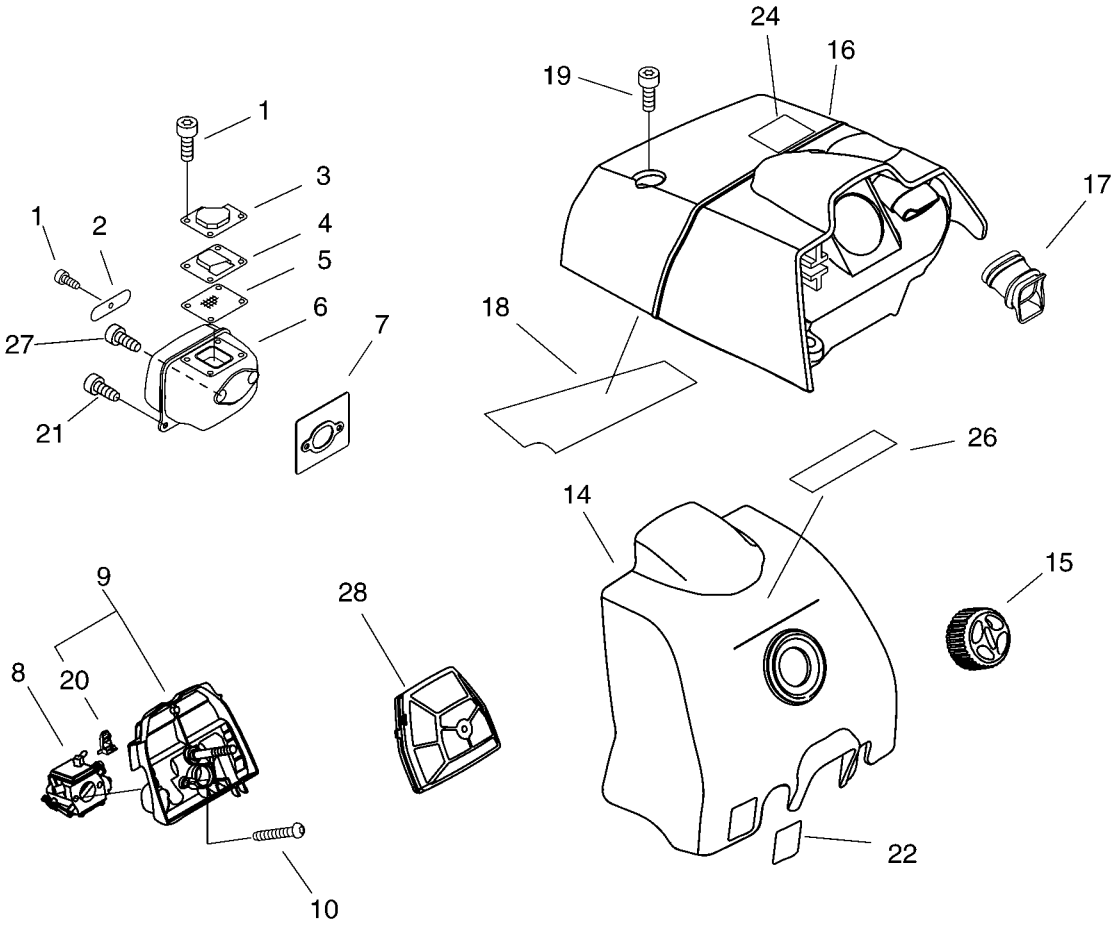


CS-600P CHAIN SAW



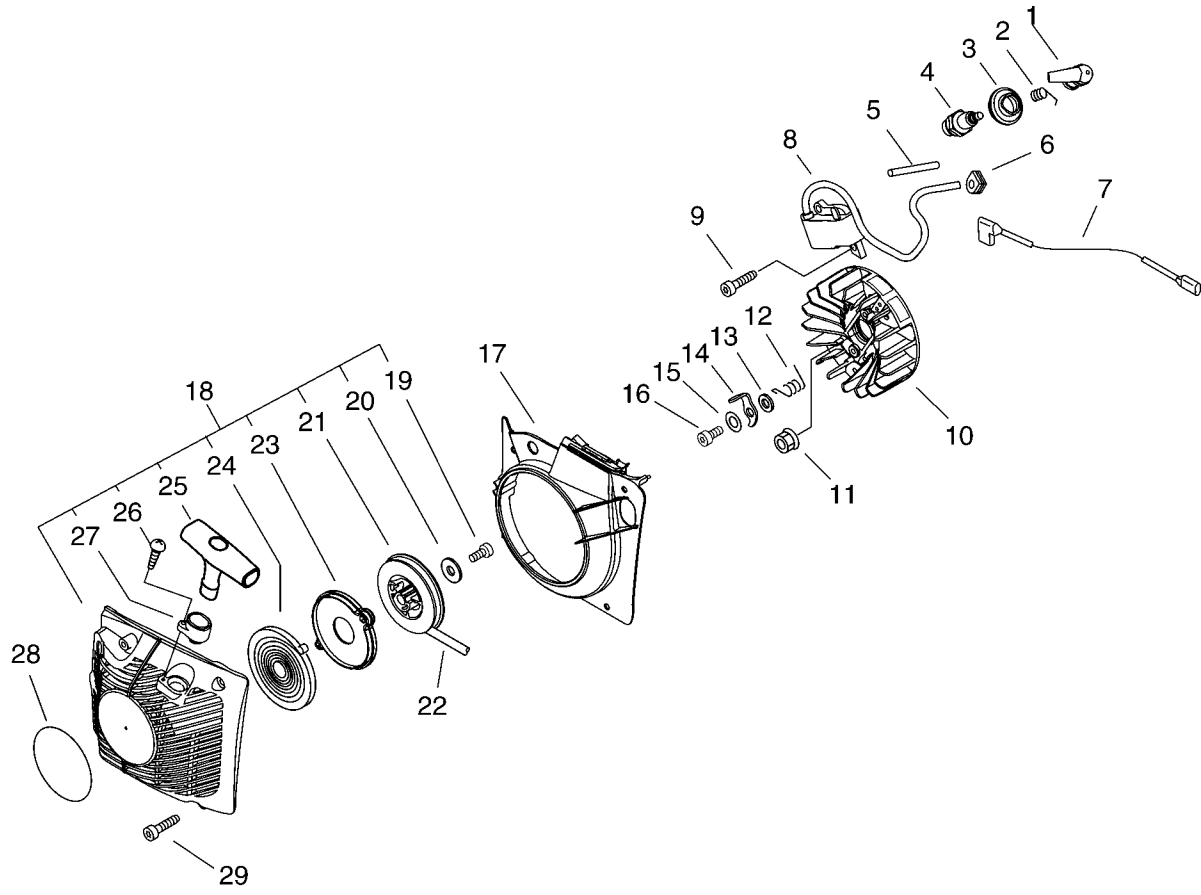
ITEM	PART NUMBER	QTY	DESCRIPTION	REMARKS
1	A014-000040	1	DECOMP,ASM	
2	V805-000220	4	BOLT, TORX 5	
3	A130-000910	1	CYLINDER	
4	A202-000080	1	BELLOWS, INTAKE	
5	A206-000010	1	HOLDER, BELLOWS	
6	V805-000000	2	BOLT, TORX 5	
7	V100-000270	1	GASKET,CYL	
8	P021-015190	1	PISTON KIT	
9	+ A101-000210	1	RING, PISTON	
10	+ V580-000030	2	RING,END	
11	+ V609-000010	1	PIN,ENG 11	
12	+ V556-000000	1	BEARING,NEEDLE 11	
13	+ V308-000040	2	WASHER,CIRCULAR 11	
14	100142-30830	1	KEY, WOODRUFF	
15	P021-015130	1	CRANK CASE SET	
16	+ V508-000010	2	SEAL,OIL 15	
17	+ 100215-02830	2	PIN, DOWEL	
18	+ V592-000000	2	BEARING, BALL	
19	+ V102-000060	1	GASKET,CRANKCASE	
20	V805-000010	2	BOLT, TORX 5	
21	V805-000020	4	BOLT, TORX 5	
22	V420-001790	2	CUSHION	
23	A239-000060	1	PIPE, INTAKE	
24	A011-000540	1	CRANKSHAFT,ASY	
25	V360-000060	1	COLLAR,18	
26	V805-000000	1	BOLT, TORX 5	
27	E106-000020	1	GUIDE,AIR	
28	P021-016030	1	CAP, OIL	
29	+ 131051-19830	1	LINK	
30	+ 900246-03008	1	SCREW 3*8	
31	+ 131050-19830	1	RETAINER, LINK	
32	+ 900720-00028	1	O-RING 28	
33	437239-14730	1	NIPPLE	
34	436114-13930	1	VALVE, CHECK	
35	V805-000170	1	BOLT, TORX 5	
36	V141-000090	1	GROMMET,PLUG	
37	132115-01461	1	GROMMET	

CS-600P CHAIN SAW



ITEM	PART NUMBER	QTY	DESCRIPTION	REMARKS
1	V804-000030	5	BOLT, TORX 4	
2	A301-000030	1	PLATE, MUFFLER	
3	A313-001050	1	GUIDE, EXHAUST	
4	A313-001040	1	GUIDE, EXHAUST	
5	A310-000100	1	SCREEN, ARRESTOR	
6	A300-000770	1	MUFFLER, EXHAUST	
7	V104-000910	1	GASKET, EXHAUST	
8	A021-001660	1	CARBURETOR, DIAPHRAGM	
9	P021-016020	1	CASE, CLEANER	
20	+ A219-000000	1	SHUTTER, AIR	
10	V805-000030	2	BOLT, TORX 5	
14	A232-000471	1	LID, CLEANER	
15	A235-000190	1	KNOB, CLEANER LID	
16	A160-001080	1	COVER, CYLINDER	
17	A239-000070	1	PIPE, INTAKE	
18	V341-000140	1	DEFLECTOR, HEAT	
19	V805-000000	3	BOLT, TORX 5	
21	V805-000210	2	BOLT, TORX 5	
22	890157-37330	1	LABEL, SWITCH	
24	X524-002250	1	LABEL	
24	X524-002260	1	LABEL	CANADA ONLY
26	X503-009810	1	LABEL, MODEL	
26	X503-009800	1	LABEL, MODEL	CANADA ONLY
27	V855-000000	2	BOLT, TORX 5	
28	P021-016370	1	ELEMENT, AIR FILTER	

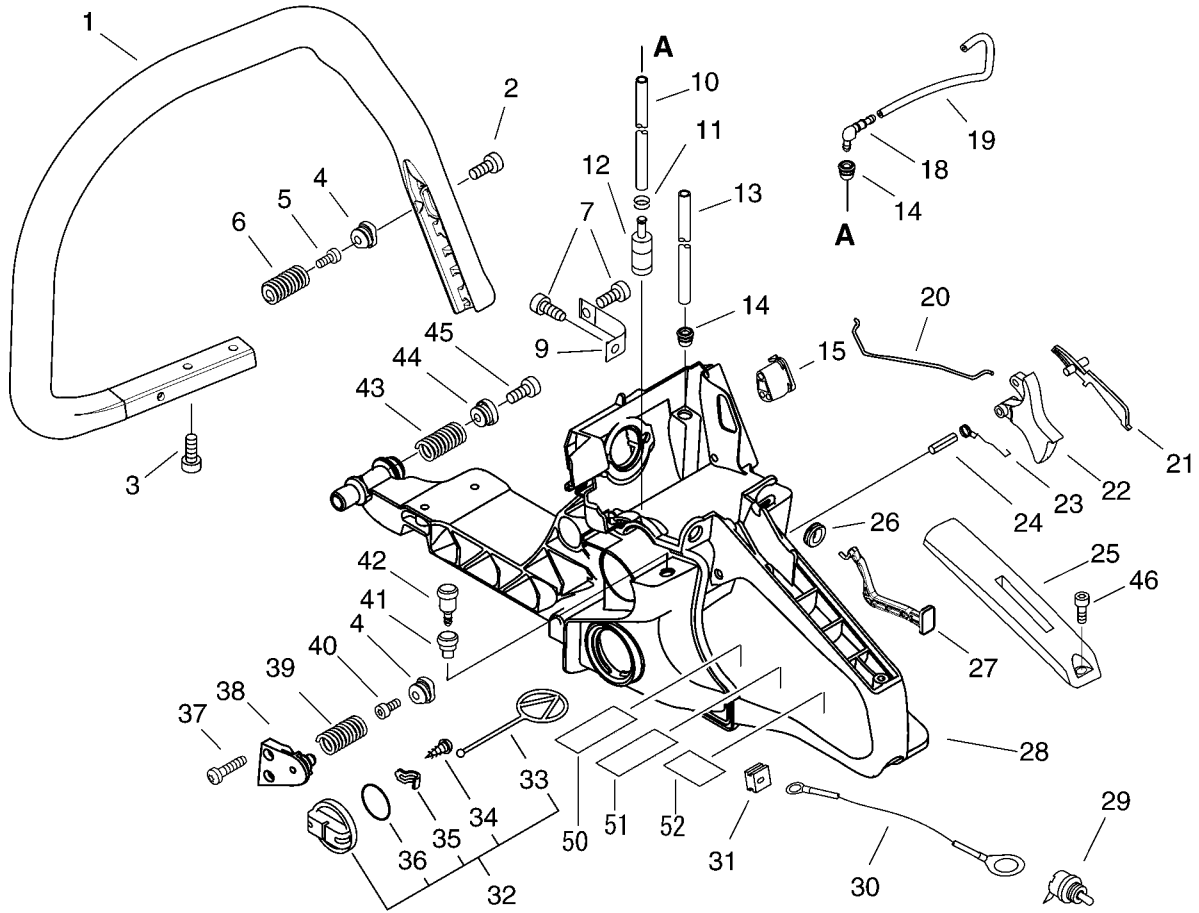
CS-600P CHAIN SAW



CS-600P CHAIN SAW

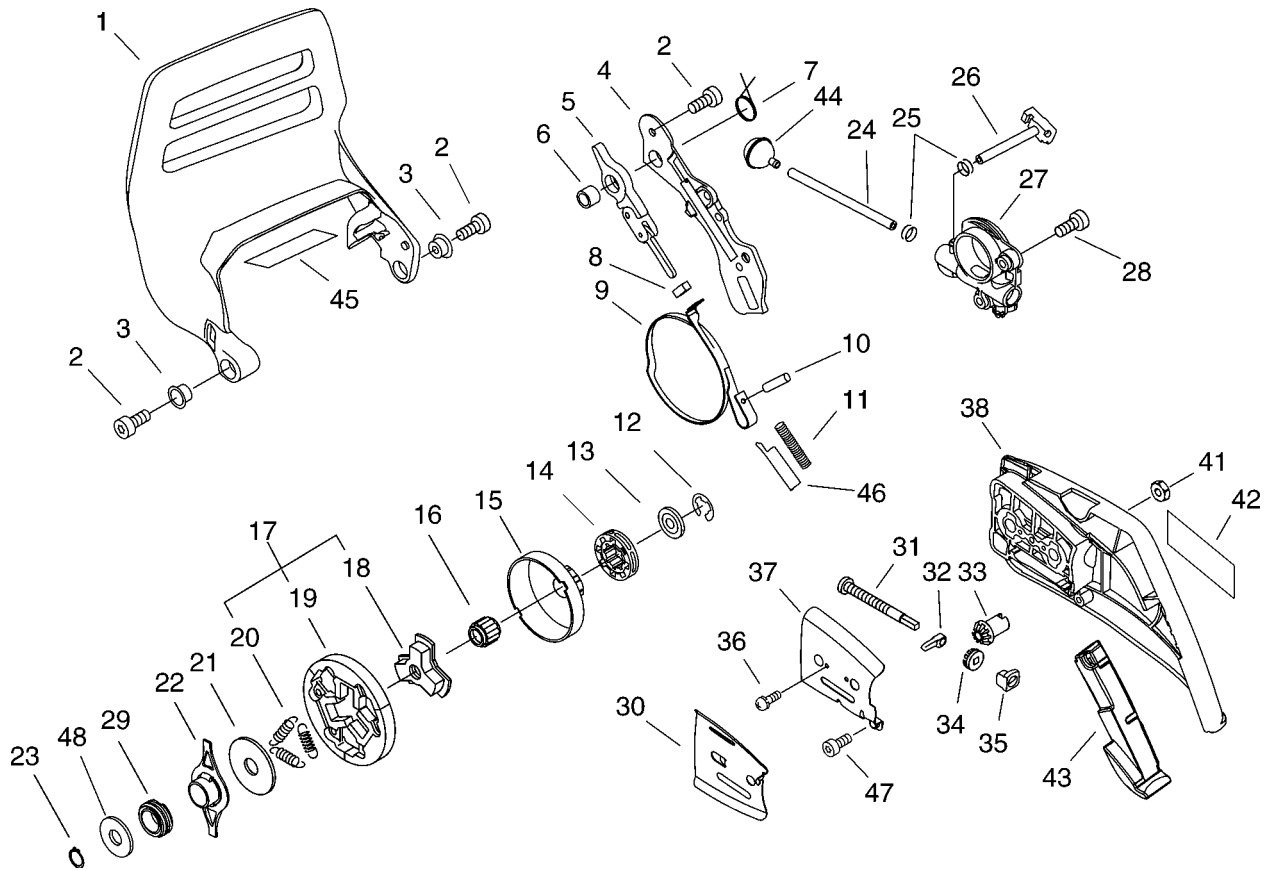
ITEM	PART NUMBER	QTY	DESCRIPTION	REMARKS
1	A427-000013	1	CAP,SPARK PLUG	
2	A426-000010	1	TERMINAL,SPARKPLUG	
3	A429-000040	1	COVER,CAP	
4	159010-19830	1	PLUG, SPARK (BPM-8Y)	
4	A425-000000	1	PLUG, SPARK (BPMR-8Y)	CANADA ONLY
5	V475-004130	1	TUBE	
6	156110-04920	1	BUSHING	
7	V485-001090	1	LEAD	
8	A411-000450	1	COIL, IGNITION	
9	V805-000000	2	BOLT, TORX 5	
10	A409-000360	1	ROTOR, MAGNETO	
11	900515-00008	1	NUT, FLANGE 8	
12	177234-35430	2	SPRING, RETURN	
13	177247-04630	2	SPACER, RATCHET	
14	177218-19830	2	PAWL, STARTER	
15	900603-00005	2	WASHER 5	
16	V835-000000	2	BOLT, TORX 5	
17	A172-000841	1	COVER,FAN	
18	P021-015160	1	STARTER ASY	
19	+ V805-000130	1	BOLT, TORX 5	
20	+ 177214-02830	1	WASHER	
21	+ A506-000110	1	REEL, ROPE	
22	+ 177226-07060	1	ROPE, STARTER	
23	+ A503-000030	1	PLATE, STARTER	
24	+ 177220-35430	1	SPRING, REWIND	
25	+ A511-000070	1	GRIP, STARTER	
26	+ 900296-03016	1	SCREW 3*16	
27	+ A510-000090	1	GUIDE, ROPE	
28	X502-000460	1	LABEL,ECHO	
29	V805-000000	4	BOLT, TORX 5	

CS-600P CHAIN SAW



ITEM	PART NUMBER	QTY	DESCRIPTION	REMARKS
1	C400-000550	1	HANDLE, FRONT	
2	V806-000000	1	BOLT, TORX 6	
3	V805-000010	2	BOLT, TORX 5	
4	V456-000080	2	HOLDER, SPRING	
5	V805-000000	1	BOLT, TORX 5	
6	V450-000730	1	SPRING, COMPRESSION	
7	V805-000000	2	BOLT, TORX 5	
9	C617-000360	1	STOPPER	
10	V471-000600	1	PIPE	
11	132013-09820	1	CLIP	
12	131205-19831	1	STRAINER, FUEL	
13	130110-30830	1	PIPE, IMPULSE	
14	132115-01461	2	GROMMET	
15	V131-000020	1	GROMMET, NEEDLE	
18	V186-000080	1	JOINT, PIPE	
19	130110-14530	1	PIPE, IMPULSE	
20	C454-000170	1	ROD, THROTTLE	
21	178090-37930	1	LOCKOUT, THRO CONTROL	
22	C450-000360	1	CONTROL, THROTTLE	
23	V452-000260	1	SPRING, TORSION	
24	900345-40025	1	PIN, SPRING 4*25SUS	
25	C411-000001	1	LID, HANDLE	
26	V130-000030	1	GROMMET, CHOKE	
27	A241-000170	1	KNOB, CHOKE	
28	C410-000460	1	HANDLE, REAR	
29	A440-001190	1	SWITCH, ON OFF	
30	V485-001100	1	LEAD	
31	150114-04920	1	BUSHING	
32	P021-016040	1	CAP, FUEL ASSY	
33	+ 131051-19830	1	LINK	
34	+ 900246-03008	1	SCREW 3*8	
35	+ 131050-19830	1	RETAINER, LINK	
36	+ 900720-20029	1	O-RING 29	
37	V805-000010	2	BOLT, TORX 5	
38	V456-000090	1	HOLDER, SPRING	
39	V450-000760	1	SPRING, COMPRESSION	
40	V805-000230	1	BOLT, TORX 5	
41	A359-000000	1	COVER, VENT	
42	131300-56430	1	VALVE, CHECK	
43	V450-000770	1	SPRING, COMPRESSION	
44	V456-000101	1	HOLDER, SPRING	
45	V806-000000	1	BOLT, TORX 6	
46	V804-000000	1	BOLT, TORX 4	
50	890191-30131	1	LABEL, KICK BACK	
50	X505-000450	1	LABEL, CAUTION	CANADA ONLY
51	890191-31731	1	LABEL, KICK BACK	
51	X505-000460	1	LABEL, CAUTION	CANADA ONLY
52	89032439630	1	LABEL, CAUTION	CANADA ONLY

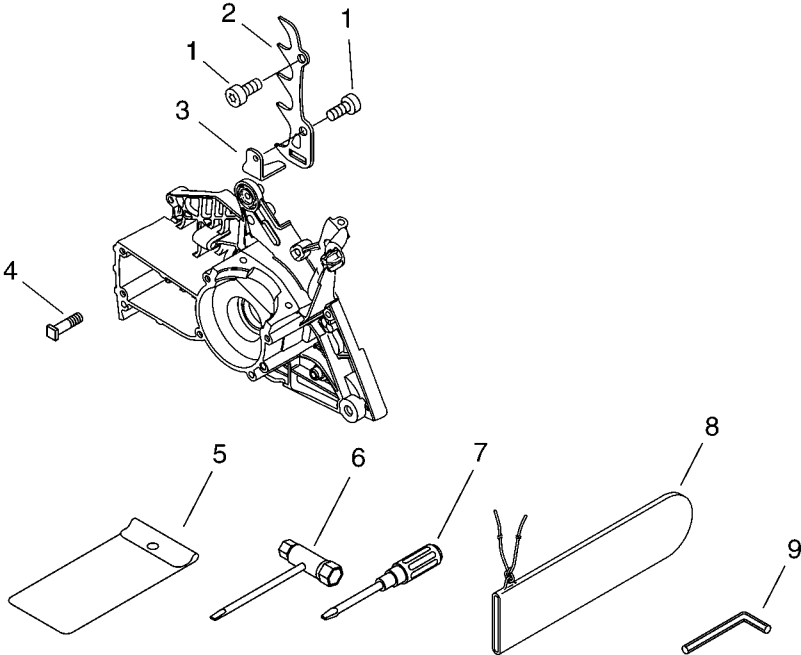
CS-600P CHAIN SAW



CS-600P CHAIN SAW

ITEM	PART NUMBER	QTY	DESCRIPTION	REMARKS
1	C320-000180	1	LEVER, BRAKE	
2	V805-000000	5	BOLT, TORX 5	
3	V356-000440	2	COLLAR,10	
4	C345-000280	1	COVER,BRAKE	
5	C334-000110	1	CONNECTOR, BRAKE	
6	433116-35430	1	SPACER 8	
7	V452-000400	1	SPRING,TORSION	
8	V376-000450	1	SPACER	
9	C328-000120	1	BAND, BRAKE	
10	93050-30080	1	ROLLER	
11	V450-000740	1	SPRING,COMPRESSION	
12	V583-000130	1	RING	
13	V307-000180	1	WASHER,CIRCULAR 10	
14	175033-14731	1	SPROCKET, RIM 68210S	
15	A556-000550	1	DRUM, CLUTCH	
16	V555-000070	1	BEARING,NEEDLE 10	
17	A056-000220	1	CLUTCH ASY	
18	+ A552-000110	1	HUB, CLUTCH	
19	+ P021-007050	1	CLUTCH SHOE SET (QTY 3)	
20	+ V451-000500	3	SPRING,TENSION	
21	A551-000110	1	PLATE, CLUTCH	
22	V358-000090	1	COLLAR,14	
23	900701-00015	1	CIRCLIP 15	
24	437210-30830	1	PIPE, OIL	
25	132013-09820	2	CLIP	
26	V470-000830	1	PIPE	
27	C022-000050	1	AUTO-OILER ASSEMBLY	
28	V804-000000	2	BOLT, TORX 4	
29	V652-000050	1	GEAR,WORM	
30	C305-000110	1	PLATE,SPROCKET GUARD (INNER)	
31	V203-000110	1	BOLT,5	
32	C309-000070	1	TENSIONER, CHAIN	
33	V651-000001	1	GEAR,BEVEL	
34	V651-000011	1	GEAR,BEVEL	
35	V355-000270	1	COLLAR,8	
36	900241-03006	1	SCREW 3*6	
37	C305-000100	1	PLATE,SPROCKET GUARD (OUTER)	
38	C300-000410	1	GUARD, SPROCKET	
41	V265-000110	2	NUT,8	
42	X502-000340	1	LABEL,ECHO	
43	C302-000010	1	PAD, GUARD	
44	436205-14730	1	STRAINER, OIL	
45	V341-000130	1	DEFLECTOR, HEAT	
46	C603-000220	1	PLATE, SIDE	
47	V804-000000	1	BOLT, TORX 4	
48	V311-000090	1	WASHER,CIRCULAR 16-1	

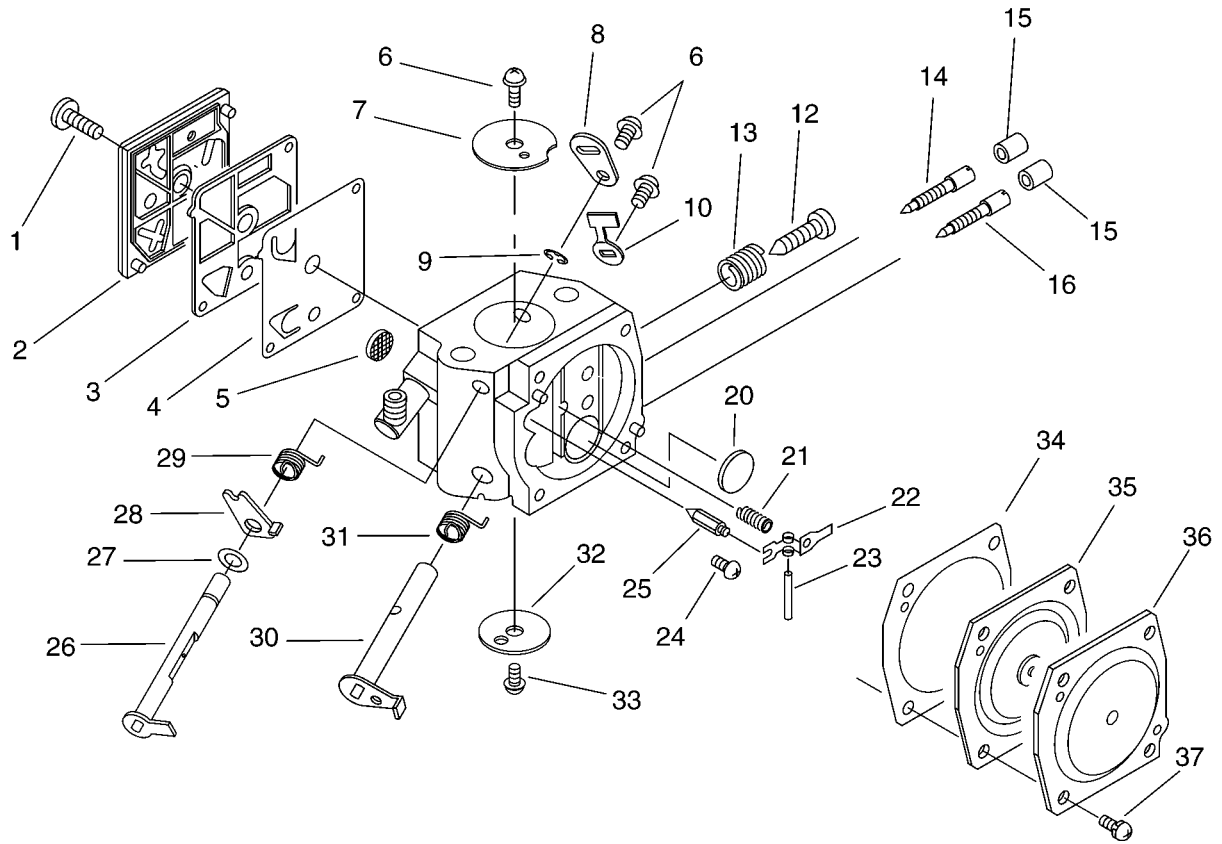
CS-600P CHAIN SAW



CS-600P CHAIN SAW

ITEM	PART NUMBER	QTY	DESCRIPTION	REMARKS
1	V805-000000	2	BOLT, TORX 5	
2	C304-000040	1	SPIKED	
3	C310-000010	1	CATCHER, CHAIN	
4	V205-000400	2	STUD, GUIDE BAR 8	
5	898510-07130	1	BAG, TOOL	
6	X602-000080	1	TOOL,WRENCH	
7	895812-03930	1	DRIVER, SCREW 50	
8	P021-014290	1	SCABBARD,CHAIN	
9	X605-000050	1	TOOL,L WRENCH	

CS-600P CHAIN SAW



CS-600P CHAIN SAW

ITEM	PART NUMBER	QTY	DESCRIPTION	REMARKS
	A021-001660	1	CARBURETOR,DIAPHRAGM	
1	+ 123110-16130	1	SCREW, PUMP COVER	
2	+ 123124-19830	1	COVER, FUEL PUMP	
3	+ 123125-12330	1	GASKET, FUEL PUMP	
4	+ 123112-12330	1	DIAPHRAGM, FUEL PUMP	
5	+ 123126-10631	1	SCREEN, INLET	
6	+ 123114-03930	3	SCREW	
7	+ 123116-16130	1	VALVE, THROTTLE	
8	+ P003-002300	1	LEVER, CHOKE	
9	+ 123127-15030	1	RING	
10	+ 123156-30830	1	STOP, THROTTLE	
12	+ 123134-04260	1	SCREW, IDLE ADJUST	
13	+ 123133-04260	1	SPRING, IDLE ADJUST	
14	+ 123120-32631	1	NEEDLE, HIGH SPEED	
15	+ P003-000010	2	LIMITER CAP	
16	+ 123118-02261	1	NEEDLE, LOW SPEED	
20	+ 123146-10631	1	PLUG, WELCH	
21	+ 123122-32630	1	SPRING, METER. LEVER	
22	+ 123123-18330	1	LEVER, METERING	
23	+ 123138-03930	1	PIN, METERING LEVER	
24	+ 123139-03930	1	SCREW, METER LEVER PIN	
25	+ 123137-19830	1	VALVE, INLET NEEDLE	
26	+ P003-002290	1	SHAFT, CHOKE	
27	+ 123149-26030	1	WASHER	
28	+ P003-000620	1	LEVER-FAST IDLE	
29	+ P003-000610	1	SPRING, CHOKE RETURN	
30	+ P003-002280	1	SHAFT,THROTTLE	
31	+ P003-000560	1	SPRING, THRO RETURN	
32	+ 123132-16130	1	VALVE, THROTTLE	
33	+ 123114-05260	1	SCREW	
34	+ 123140-16130	1	GASKET, METER DIAPHRAGM	
35	+ 123141-16131	1	DIAPHRAGM, METERING	
36	+ 123142-17330	1	COVER, METER DIAPHRAGM	
37	+ 123130-02960	4	SCREW	