

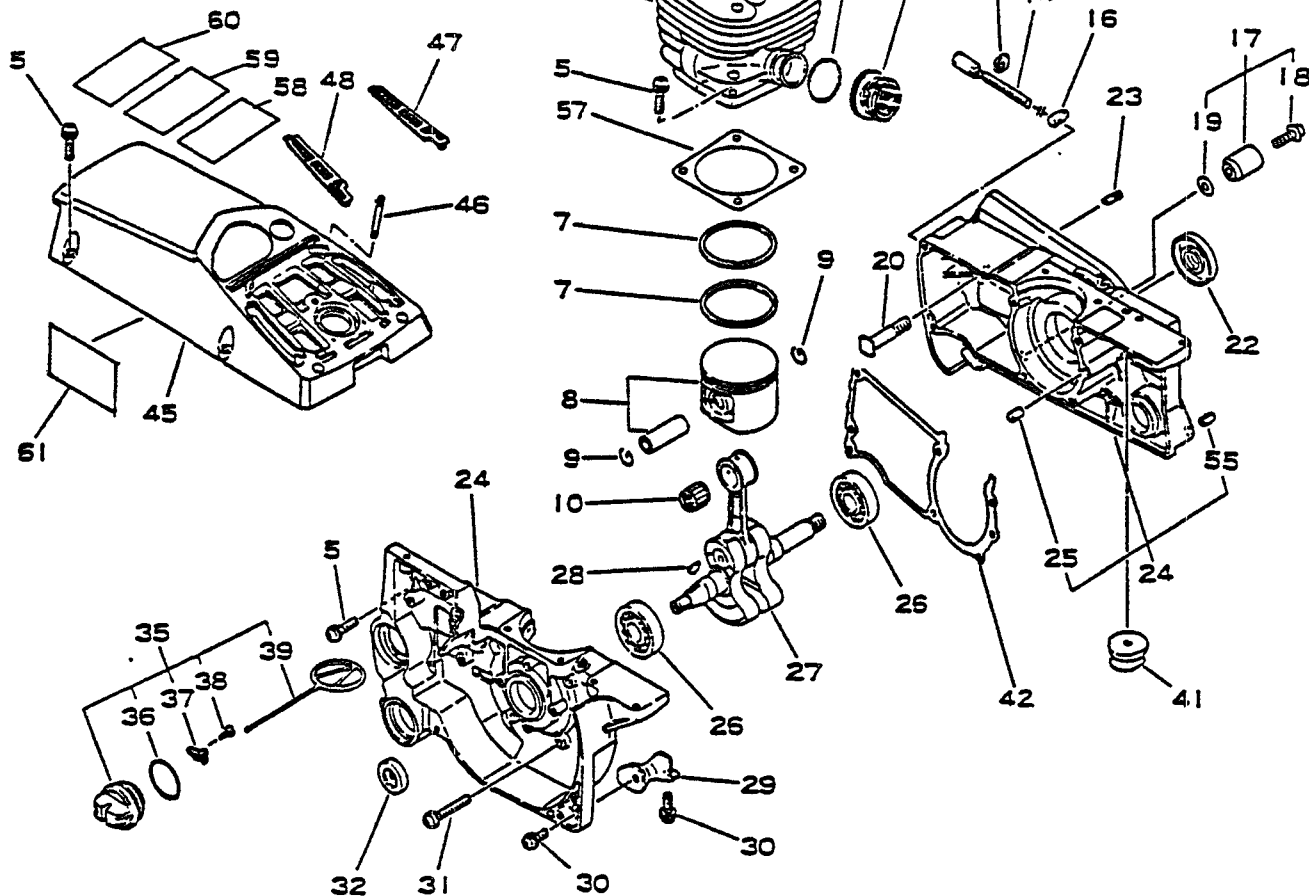


**CHAIN SAW
PARTS CATALOG
MODEL CS-6700**

SERIAL NUMBER 023378 THRU 031240

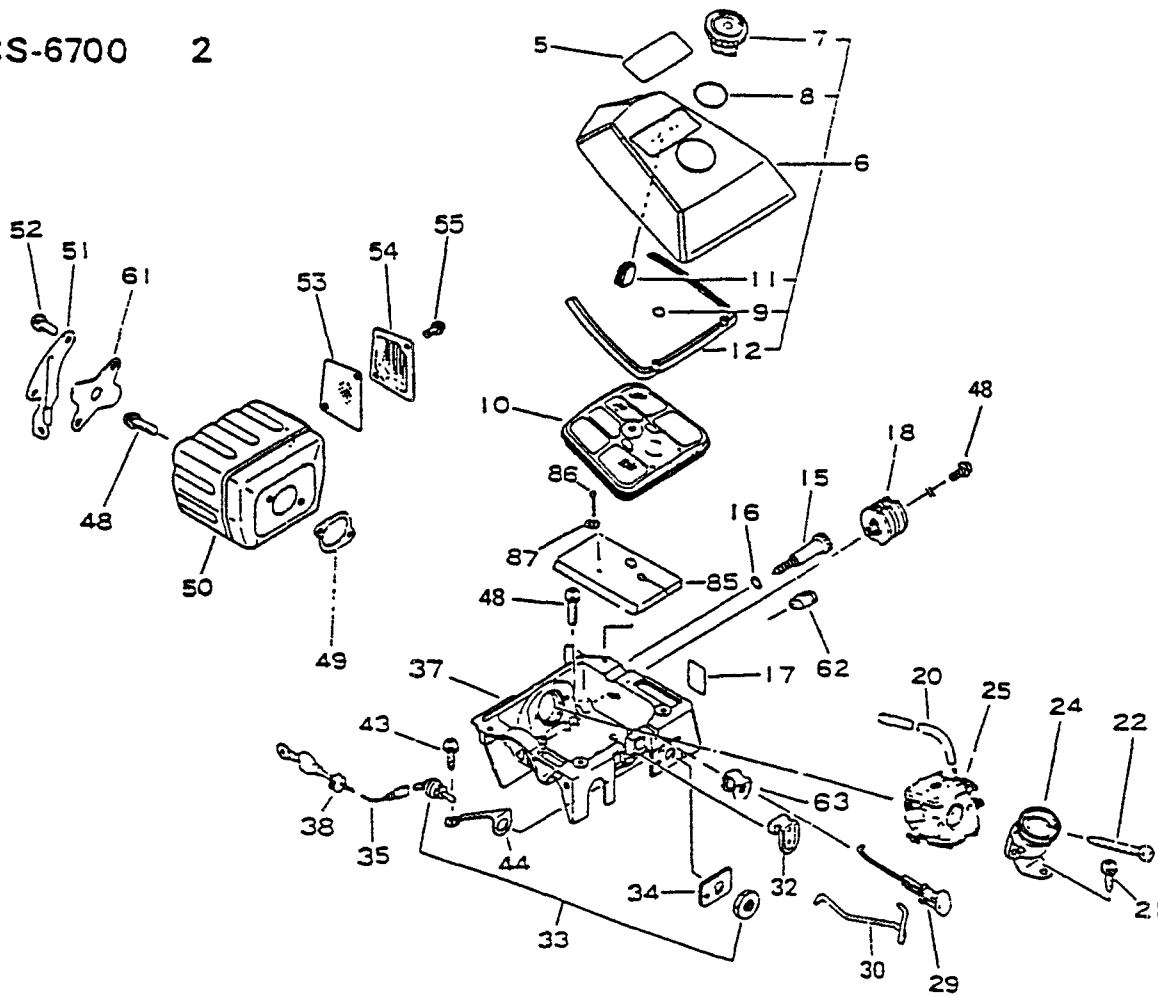
**ECHO, INCORPORATED
400 OAKWOOD ROAD
LAKE ZURICH, IL 60047**

**99922202257
06/94**

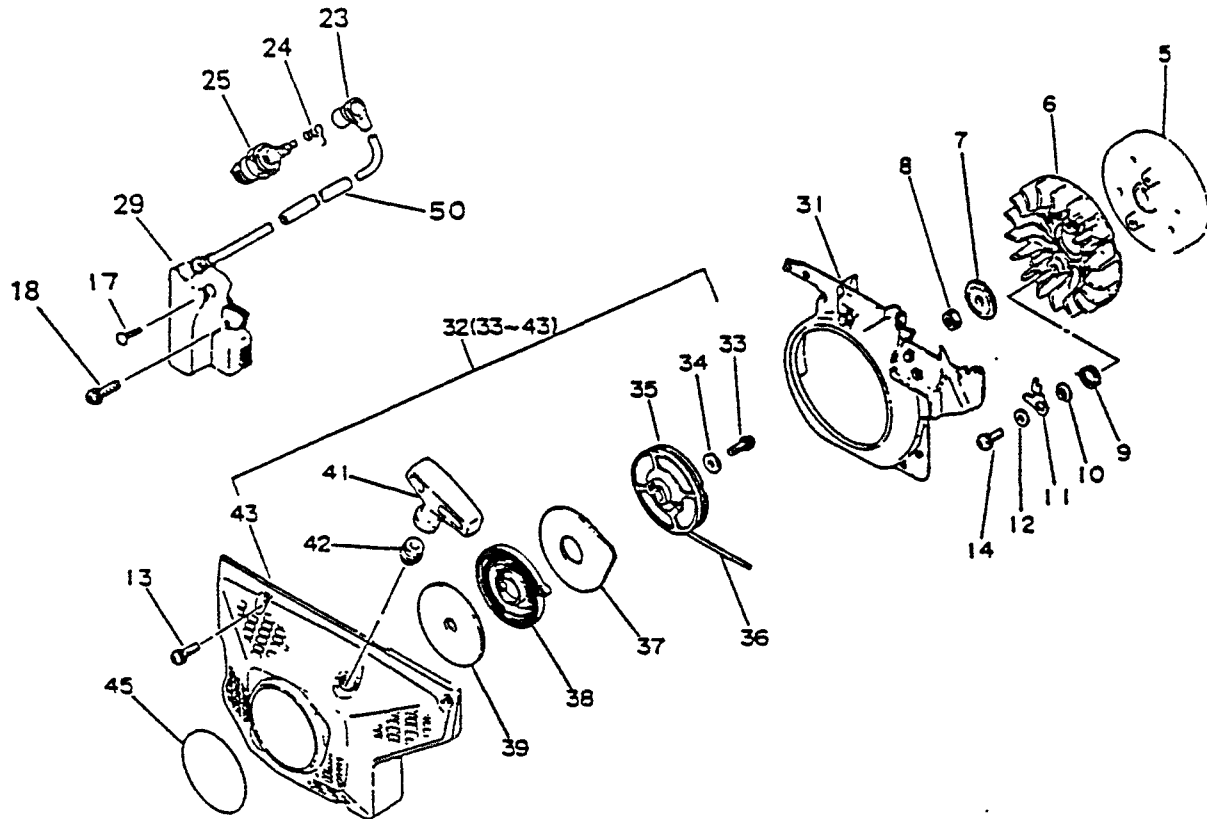


KEY LV PART NUMBER	Q'TY	DESCRIPTION	KEY LV PART NUMBER	Q'TY	DESCRIPTION
1-5	900162-05020	11 BOLT, H.S. 5*20	10	+ 100012-32430	1 BEARING. NEEDLE
* 6	101 001-32431	1 CYLINDER	28	100142-30830	1 KEY. WOODRUFF
7	100011-32430	2 RING. PISTON	29	100917-32430	1 CUSHION
* 8	10000032430	1 PISTON W/PIN	30	900238-05014	1 SCREW 5*14
9	100015-00230	2 CIRCLIP, PISTON PIN	31	900162-05035	4 BOLT, H.S. 5*35
12	130516-30830	1 BAND	35	436001-37932	1 CAP ASSY. OIL TANK
13	130510-32430	1 ADAPTER. INTAKE	36	+ 900725-02025	1 O-RING 2025
14	433016-11031	1 SCREW. TENSIONER	37	+ 131050-19830	1 RETAINER. LINK
15	433028-11030	1 CLIP	38	+ 900246-03008	1 SCREW 3*8
16	433014-02830	1 TENSIONER	39	+ 131051-19830	1 CLIP. FUEL CAP
17	433000-19831	1 CATCHER KIT. CHAIN	45	101506-38130	1 COVER. CYLINDER
18	+ 900238-05020	1 SCREW 5*20	46	101014-05931	1 STUD.
19	+ 900600-00005	1 WASHER 5	47	13081132330	1 SCREEN. CLEANER
24	100204-38130	1 CRANKCASE KIT	48	13081132330	1 SCREEN. CLEANER
20	+ 433011-19830	2 STUD. GUIDE BAR	57	101010-32431	1 GASKET. CYL. BASE
22	+ 100212-32430	1 OILSEAL	58	890191-31730	1 LABEL. CAUTION
23	+ 436114-13930	1 VALVE. CHECK	59	890190-30130	1 LABEL. CAUTION
25	+ 100215-02830	2 PIN. DOVEL	60	890192-32630	1 LABEL. CAUTION
26	+ 900810-36202	1 BEARING. BALL	61	890199-38130	1 LABEL. EYE CATCHER
32	+ 100212-19830	1 OILSEAL			
41	+ 100251-32430	1 CUSHION (A)			
42	+ 100242-32430	1 GASKET. CRANKCASE			
55	+ 900345-50010	1 PIN. SPRING 5*10			
27	100100-32430	1 CRANKSHAFT			

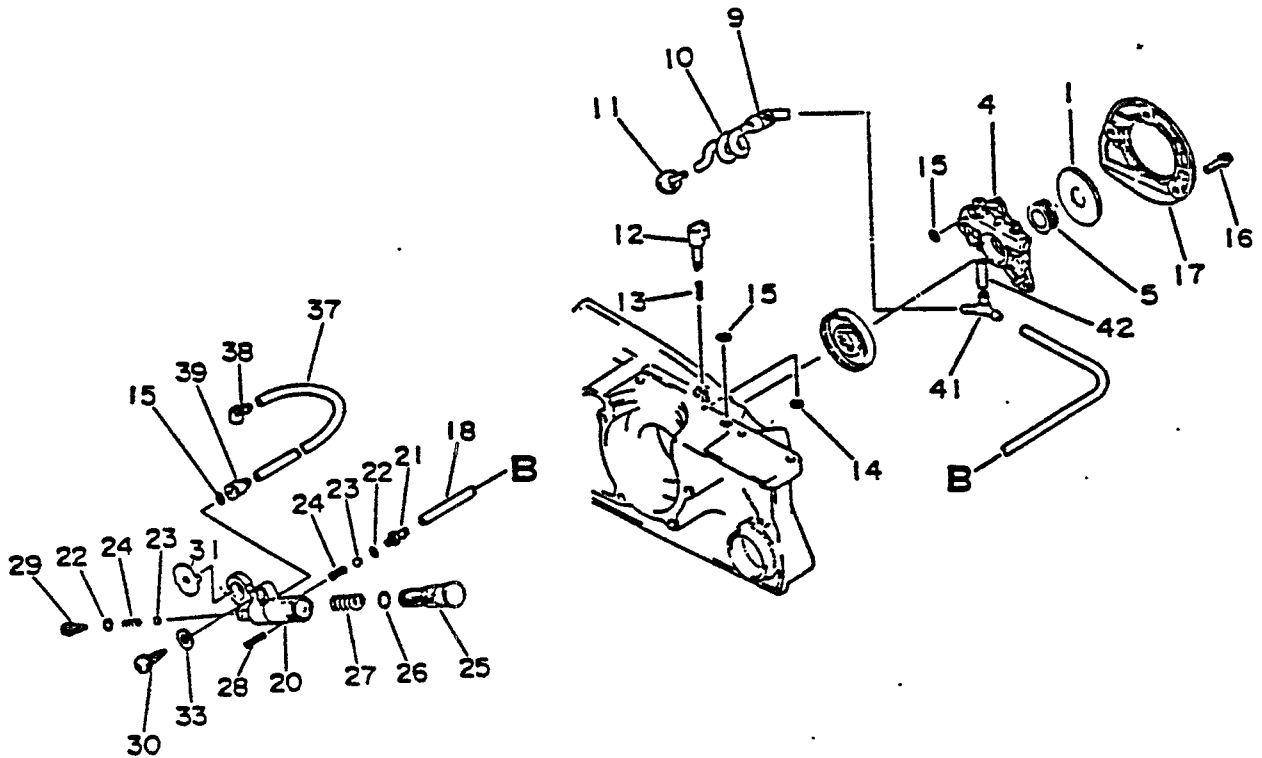
*REVISED 05-94



KEY LV PART NUMBER	Q'TY	DESCRIPTION	KEY LV PART NUMBER	Q'TY	DESCRIPTION
2-5	890161-38130	1 LABEL, MODEL	38	156114-04920	1 GROMMET
6	130302-32530	1 COVER ASS'Y, AIR CLN	44	156635-32430	1 PLATE, CONTACT
7	130406-32630	1 NUT, THUMB	48	900162-25020	7 BOLT, H.S. 5#20
8	900720-00022	1 O-RING 22	49	145510-32431	1 GASKET, MUFFLER
9	900720-00011	1 O-RING 11	50	145610-32430	1 MUFFLER
11	130338-32430	1 PLUG, COVER	51	145711-32430	1 STAY, MUEELER
12	130365-32430	1 SEAL, CLEANER	52	900238-05014	2 SCREW 5#14
10	130300-32630	1 FILTER, AIR	53	145862-32630	1 SCREEN, MUFFLER
15	129013-07061	1 SCREW, IDLE ADJUST.	54	145861-32430	1 LID, MUEFLER
16	900720-00007	1 O-RING 7	55	900162-04010	2 BOLT, H.S. 4#10
17	890324-30130	1 LABEL, CAUTION	61	145813-31730	1 COVER, MUFFLER
18	100905-32331	1 CUSHION (R)	62	129010-32430	1 GROMMET
20	132007-22130	1 PIPE, FUEL W/GROMMET	63	178810-33330	1 GROMMET, CHOKE
21	900252-05014	1 SCREW 5#14	85	130320-32630	1 SEAL, CARB. CASE
22	900252-05053	2 SCREW 5#53	86	900300-30018	1 PIN, SPLIT 3#18
24	130518-32431	1 ADAPTER, INTAKE	87	433162-19930	1 WASHER
25	123000-32432	1 CARBURETOR HDA-76			
29	178510-07060	1 ROD, CHOKE			
30	178011-32630	1 ROD, THROTTLE			
32	17801132431	1 HOLDER, THR. LEVER			
33	163400-32430	1 SWITCH, IGNITION			
34	890157-19830	1 LABEL, SWITCH			
35	162021-32430	1 LEAD			
37	130306-07060	1 CASE, CARBURETOR			

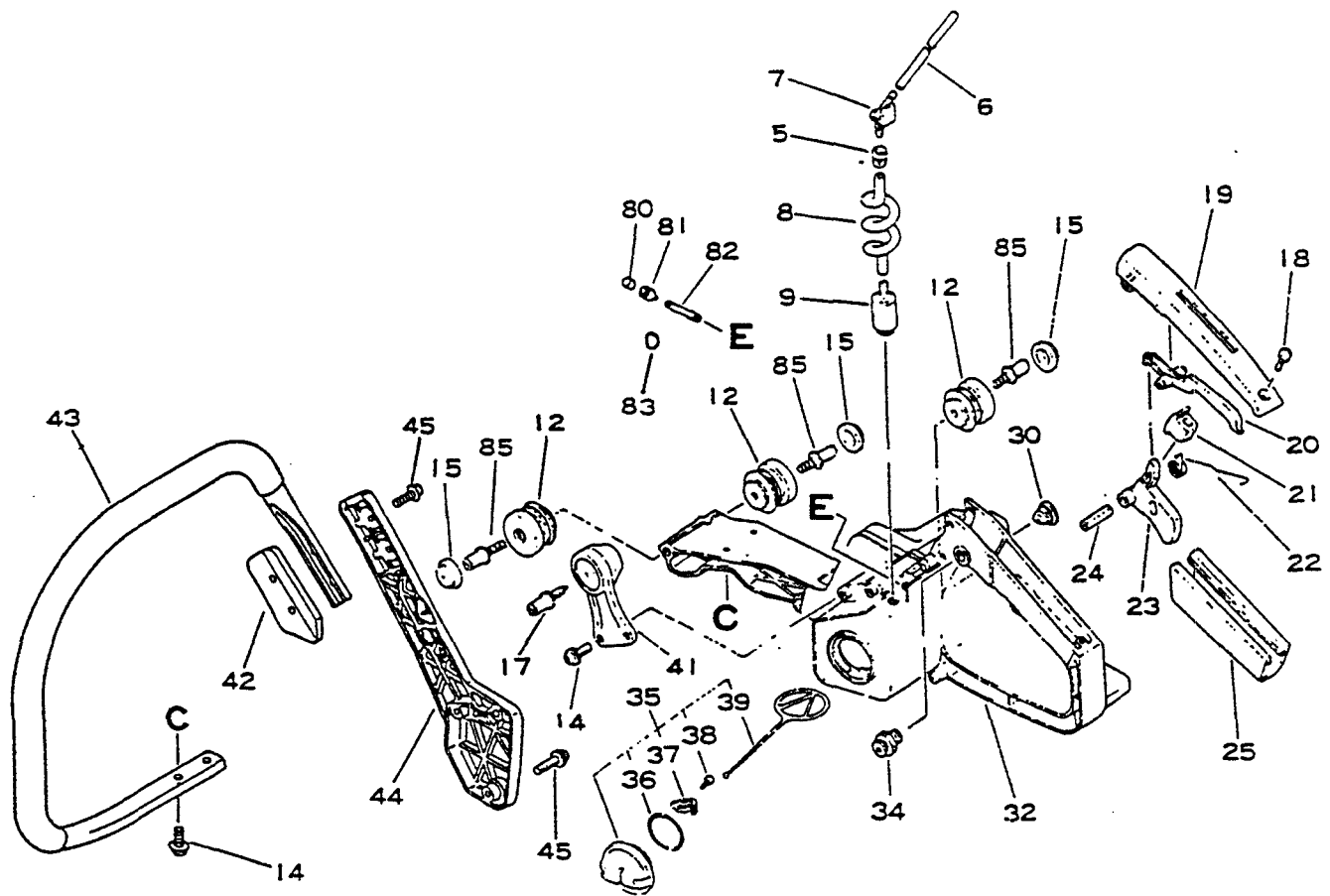


KEY LV. PART NUMBER	Q'TY	DESCRIPTION	KEY LV. PART NUMBER	Q'TY	DESCRIPTION
3-5	1	156800-32630 FLYWHEEL	39 +	1	177221-02830 PLATE, STARTER
6	1	101521-32330 FAN, COOLING	41 +	1	177228-30830 GRIP, STARTER
7	1	100143-19830 WASHER	42 +	1	177227-07060 GUIDE, ROPE
8	1	900500-00008 NUT 8	43 +	1	101507-07061 COVER, FAN
9	2	177234-19830 SPRING, RETURN	45	1	890112-38130 LABEL, ECHO
10	2	177247-19830 SPACER, RATCHET	50	1	150611-32430 TUBE
11	2	177218-32630 PAWL, STARTER			
12	2	900603-00005 WASHER 5			
13	4	900238-05020 SCREW 5#20			
14	2	900162-05014 BOLT, H.S. 5#14			
18	4	900162-04020 BOLT, H.S. 4#20			
23	1	159012-03433 CAP, SPARK PLUG			
24	1	159011-03432 COIL, SPARK PLUG CAP			
25	1	15901010630 PLUG, SPARK BPM7A			
27	1	900242-04008 SCREW 4#8			
29	1	156601-32630 COIL, IGNITION			
31	1	101535-07060 COVER, FAN			
32	1	177200-07630 STARTER ASSY			
33 +	1	900162-05014 BOLT, H.S. 5#14			
34 +	1	900603-00005 WASHER 5			
35 +	1	177215-32330 DRUM, STARTER			
36 +	1	177226-07060 ROPE, STARTER			
37 +	1	177221-07060 PLATE, STARTER			
38 +	1	177220-02834 SPRING, REWIND			

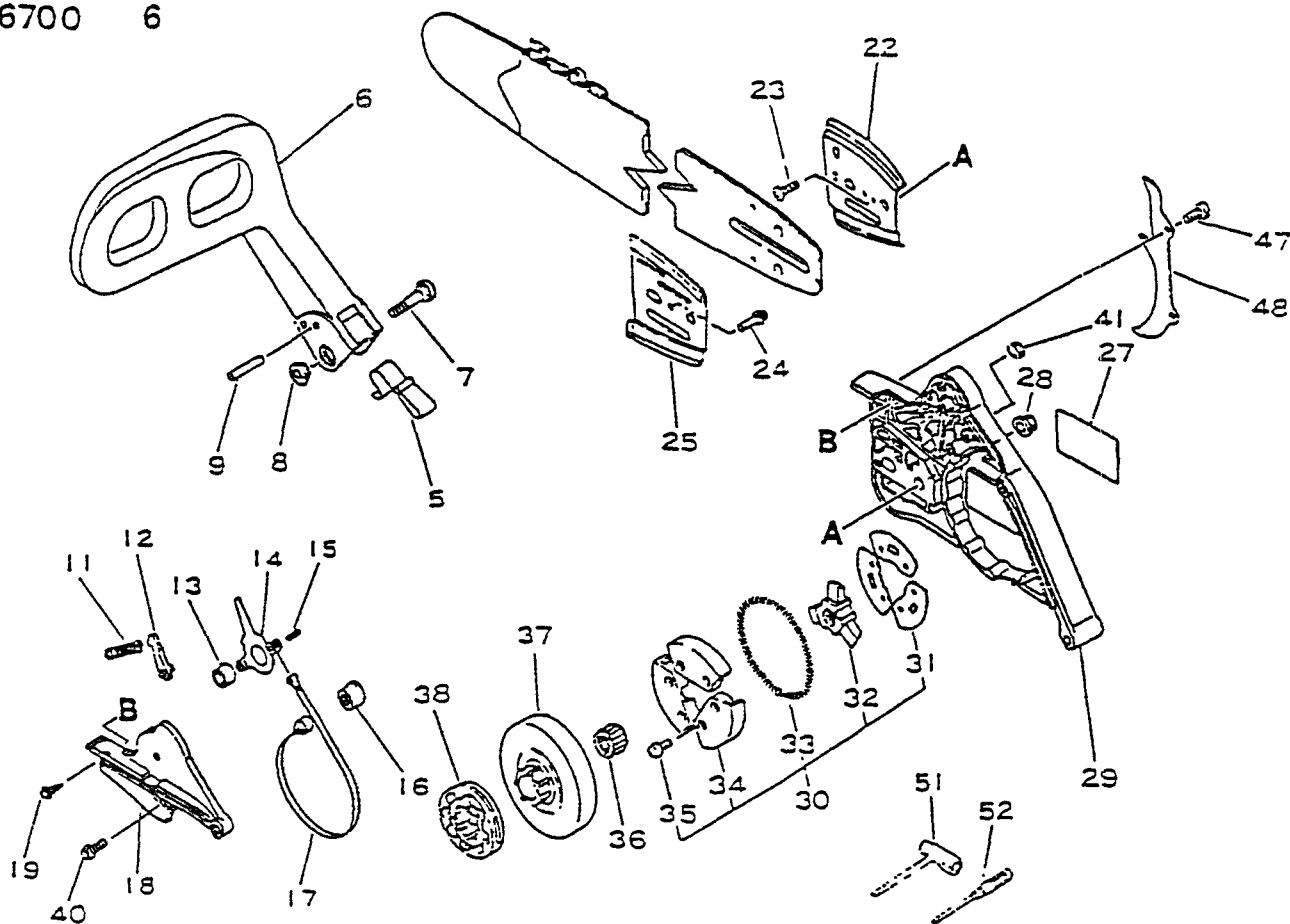


KEY LV PART NUMBER	Q'TY	DESCRIPTION	KEY LV PART NUMBER	Q'TY	DESCRIPTION
4-1	1	43700419931 WASHER, CIRCULAR 12	28	1	900345-20016 PIN. SPRING 2=16
4	1	437000-37530 AUTO-OILER ASSEMBLY	29	1	437121-10130 ADAPTER, OIL PUMP
5	1	437063-19930 GEAR, WORM	30	1	900246-05020 SCREW 5#20
15	1	900720-00003 O-RING 3	33	1	900603-00005 WASHER 5
9	1	132115-12330 GROMMET	37	1	437216-32630 PIPE
10	1	437210-32430 PIPE, OIL (INNER)	38	1	437232-32630 CONNECTOR, PIPE
11	1	436205-14730 STRAINER, OIL	39	1	437212-32630 CONNECTOR, PIPE
12	1	437039-37630 KNOB	41	1	437211-32430 PIPE
13	1	437015-19830 SPRING	42	1	437212-32430 CONNECTOR, PIPE
14	1	900700-00003 E-RING 3	31	1	437413-19830 BRACKET, OIL PUMP
15	1	900720-00003 O-RING 3			
16	3	900162-04014 BOLT, H.S. 4#14			
17	1	437605-37630 COVER, OIL PUMP			
18	1	43720515130 PIPE			
*	1	43710038831 OIL PUMP ASS'Y			
15	1	900720-00003 O-RING 3			
20	1	437110-19831 BODY, OIL PUMP			
21	1	437118-19830 NIPPLE			
22	2	437122-03430 O-RING			
23	2	437012-00330 VALVE, BALL			
24	2	437013-00330 SPRING, VALVE			
25	1	437112-38731 PISTON, OIL PUMP			
25	1	900720-00007 O-RING 7			
27	1	437111-19830 SPRING, OIL PUMP			

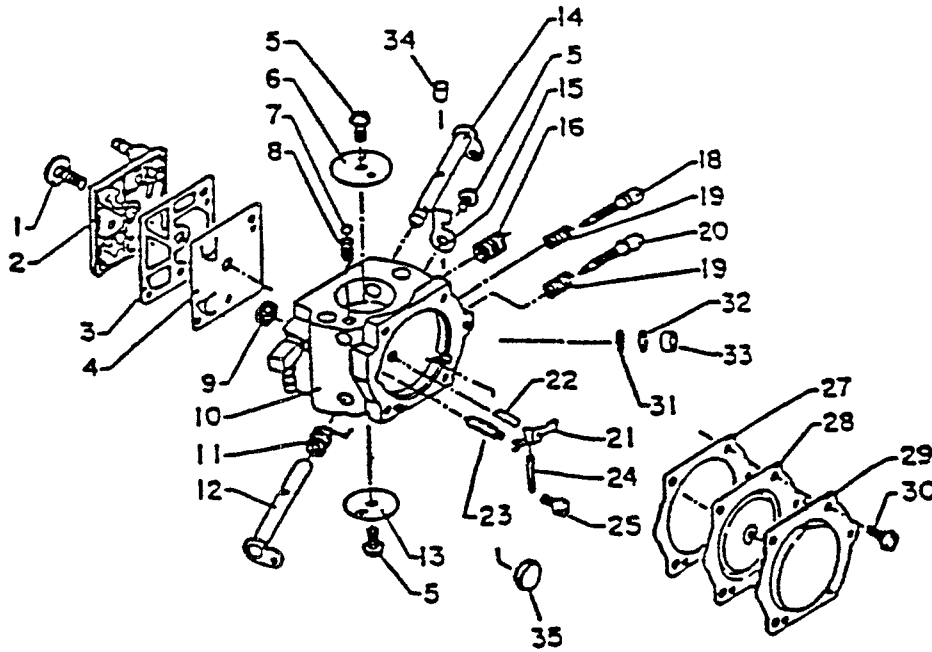
* REVISED 05-94



KEY LV. PART NUMBER	Q'TY	DESCRIPTION	KEY LV. PART NUMBER	Q'TY	DESCRIPTION
5-5	132115-01461	2 GROMMET	39 +	131051-19830	1 CLIP, FUEL CAP
6	132012-19830	1 PIPE 3*6*100	41	100921-32431	1 CUSHION
7	132011-19830	1 CONNECTOR, FUEL PIPE	42	351614-38230	1 BRACKET, HANDLE
8	132010-30830	1 PIPE	43	351606-38130	1 HANDLE, FRONT
9	131205-30830	1 STRAINER, FUEL	44	351616-38230	1 BRACKET, HANDLE
12	100910-32630	3 CUSHION	45	900238-05020	5 SCREW 5*20
14	900238-05014	4 SCREW 5*14	80	131300-40630	1 VENT ASSEMBLY
15	100918-19830	3 CAP, CUSHION	81	131328-40630	1 COVER, VENT
17	100915-33930	1 SCREW	82	131312-32430	1 PIPE, VENT
18	900238-04014	1 SCREW 4*14	83	130111-00530	1 CLIP
19	351155-30131	1 COVER, HANDLE	85	100915-32530	3 BOLT
20	178090-37930	1 LOCKOUT, T. CONTRL.			
21	178073-32430	1 CUSHION, THROTTLE			
22	178043-19830	1 SPRING, THR. RETURN			
23	178010-38130	1 CONTRL, THROTTLE			
24	900342-50025	1 PIN, SPRING 5*25			
25	351111-30130	1 GRIP			
30	131329-32330	1 PLUG, FUEL TANK			
32	351103-38130	1 HANDLE, REAR			
34	178302-37930	1 LATCH, THROTTLE			
35	131004-37630	1 CAP ASSEMBLY, FUEL			
36 +	900720-00029	1 O-RING 29			
37 +	131050-19830	1 RETAINER, LINK			
38 +	900246-03008	1 SCREW 3*8			



KEY LV.	PART NUMBER	Q'TY	DESCRIPTION	KEY LV.	PART NUMBER	Q'TY	DESCRIPTION
6-5	433114-38130	1	SPRING, RETURN	33	+ 175018-32430	1	SPRING, CLUTCH
6	433105-33530	1	LEVER, BRAKE	34	+ 175002-32430	1	SHOE, CLUTCH
7	433113-37530	1	SCREW	35	+ 900105-04006	6	BOLT, H.S. 4# 6
8	900330-35260	1	ROLLER 3.5#26	36	175012-32430	1	BEARING, NEEDLE
9	433137-30130	1	NUT	37	175105-32430	1	DRUM, CLUTCH
11	433122-38130	1	SPRING, BRAKE	38	682100	1	RIV, SPROCKET
12	433209-35430	1	STOPPER, BRAKE	40	900220-03018	1	SCREW 3#18
13	433116-35430	1	SPACER 8	41	900500-00003	1	NUT 3
14	433208-35430	1	LEVER, BRAKE	48	880200-32430	1	BUMPER, SPIKED
15	900345-40008	1	PIN, SPRING 4# 8	47	+ 880211-30130	2	BOLT
16	433142-35430	1	ADJUSTER	51	895410-02830	1	WRENCH, W/S-DRIVER
17	433123-38130	1	BAND, BRAKE	52	895812-03930	1	SCREWDRIVER 50
18	433310-38230	1	COVER, BRAKE				
19	900252-04012	2	SCREW 4#12				
22	433012-30830	1	PLATE, GUIDE (OUTER)				
23	900241-03006	2	SCREW 3# 6				
24	900241-04008	1	SCREW 4# 8				
25	433013-30830	1	PLATE, GUIDE (INNER)				
27	890118-38130	1	LABEL, ECHO				
28	433019-12330	2	NUT, FLANGE 8				
29	433005-38230	1	GUARD, SPROCKET				
30	175000-32431	1	CLUTCH ASSEMBLY				
31	+ 175019-16130	3	PLATE, CLUTCH				
32	+ 175016-32430	1	HAB, CLUTCH				



KEY LV.	PART NUMBER	Q'TY	DESCRIPTION	KEY LV.	PART NUMBER	Q'TY	DESCRIPTION
7-	123000-32432	1	CARBURETOR HDA-76	27 +	123140-16131	1	GASKET, M. DIAPHRAGM
1 +	123110-16130	1	SCREW	28 +	A, B	1	DIAPHRAGM, METERING
2 +	123124-19830	1	COVER, FUEL PUMP	29 +	123142-17330	1	COVER, M. DIAPHRAGM
3 +	A, B	1	GASKET, FUEL PUMP	30 +	A	4	SCREW
4 +	A, B	1	DIAPHRAGM, FUEL PUMP	31 +	A	1	SCREEN
5 +	123114-03930	3	SCREW	32 +	123169-10630	1	RING, RETAINING
6 +	123132-32430	1	VALVE, CHOKE	33 +	A	1	PLUG, WELCH
7 +	123136-10630	1	BALL, CHOKE FRICTION	34 +	123178-15030	1	PLUG, FRICTION
8 +	123135-10630	1	SPRING, CHOKE FRICT.	35 +	A	1	PLUG, WELCH
9 +	A	1	SCREEN, INLET	<u>BAR & CHAIN OPTIONS</u>			
11 +	123113-16130	1	SPRING, THRT. RETURN	161386001	16"	Guide Bar	
12 +	123117-32630	1	SHAFT, THROTTLE	201387001	20"	Guide Bar	
13 +	123132-16130	1	VALVE, CHOKE	241388101	24"	Guide Bar	
14 +	123131-19830	1	SHAFT, CHOKE	270389301	27"	Guide Bar	
15 +	123156-12330	1	STOP, THROTTLE	727060	72LG-60G	16"	Chain
16 +	123133-11130	1	SPRING, IDLE ADJUST	727070	72LG-70G	20"	Chain
18 +	A	1	NEEDLE, IDLE	727081	72LG-81G	24"	Chain
19 +	123121-16130	2	SPRING, NEEDLE	727093	72LG-93G	27"	Chain
20 +	123120-32430	1	NEEDLE, HIGH SPEED				
21 +	A	1	LEVER, METERING				
22 +	A	1	SPRING, METER LEVER				
23 +	123137-19830	1	VALVE, INLET NEEDLE				
24 +	A	1	PIN, METERING LEVER				
25 +	123139-03930	1	SCREW, M. LEVER PIN				

A. 123100 19830 CARBURETOR REPAIR KIT
 B. 12310117330 CARBURETOR GASKET/DIAPHRAM KIT