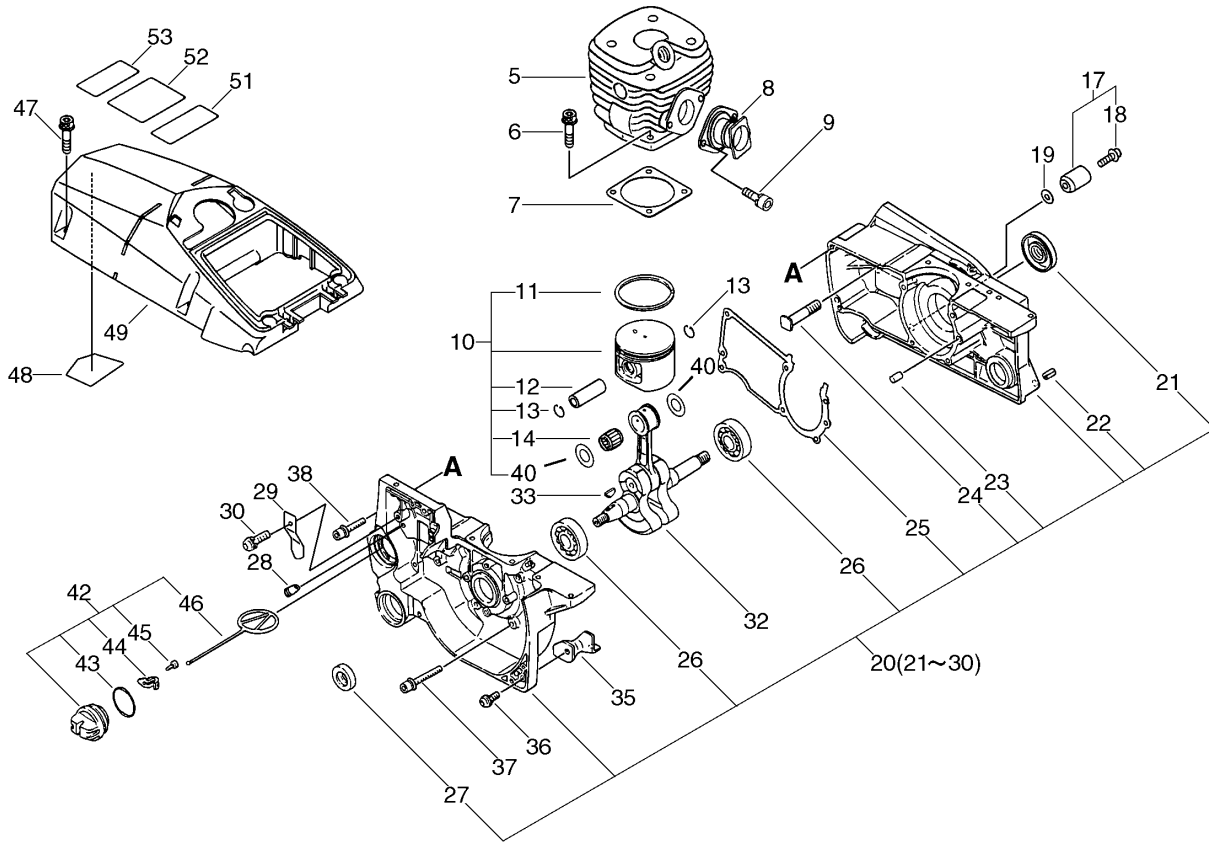
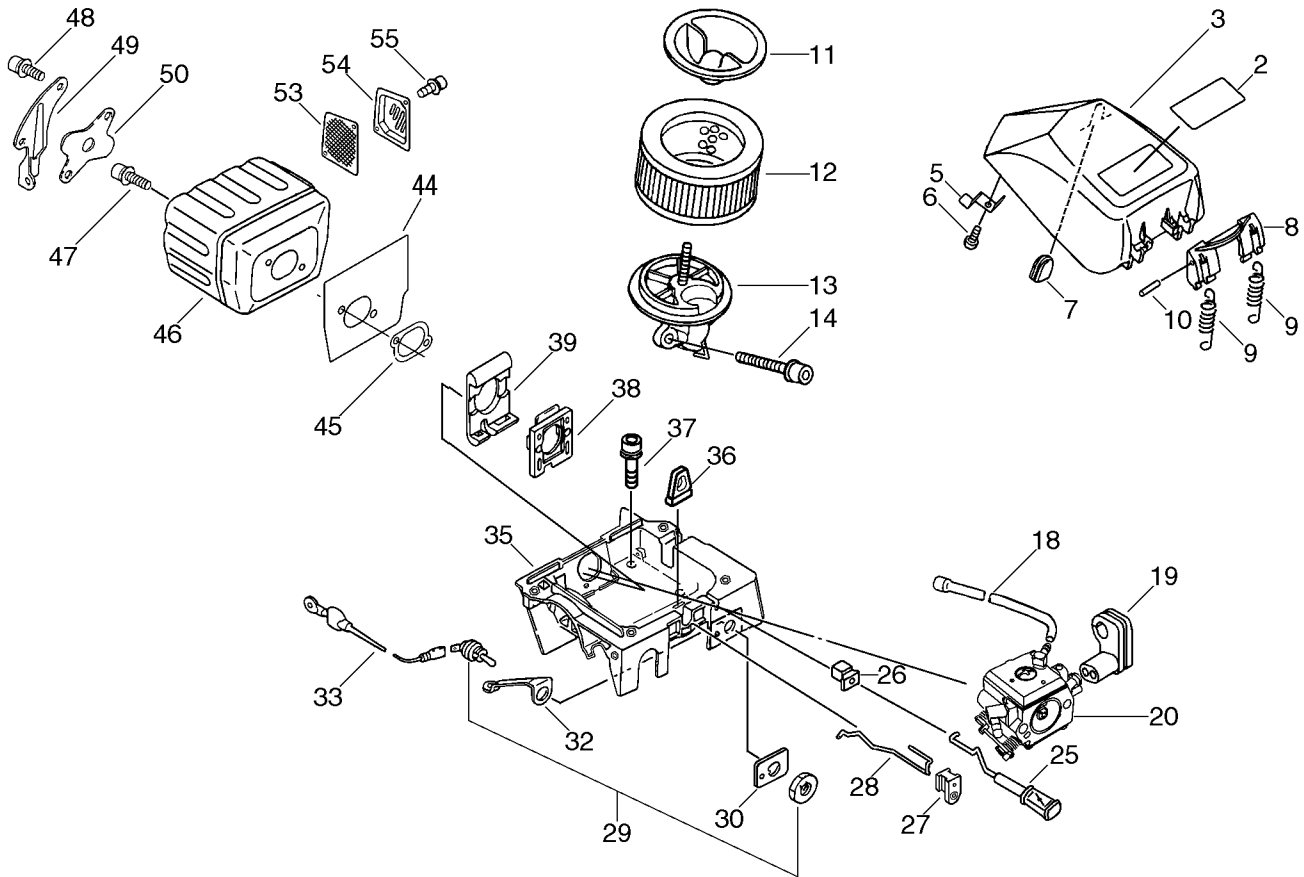


CS-680 CHAIN SAW



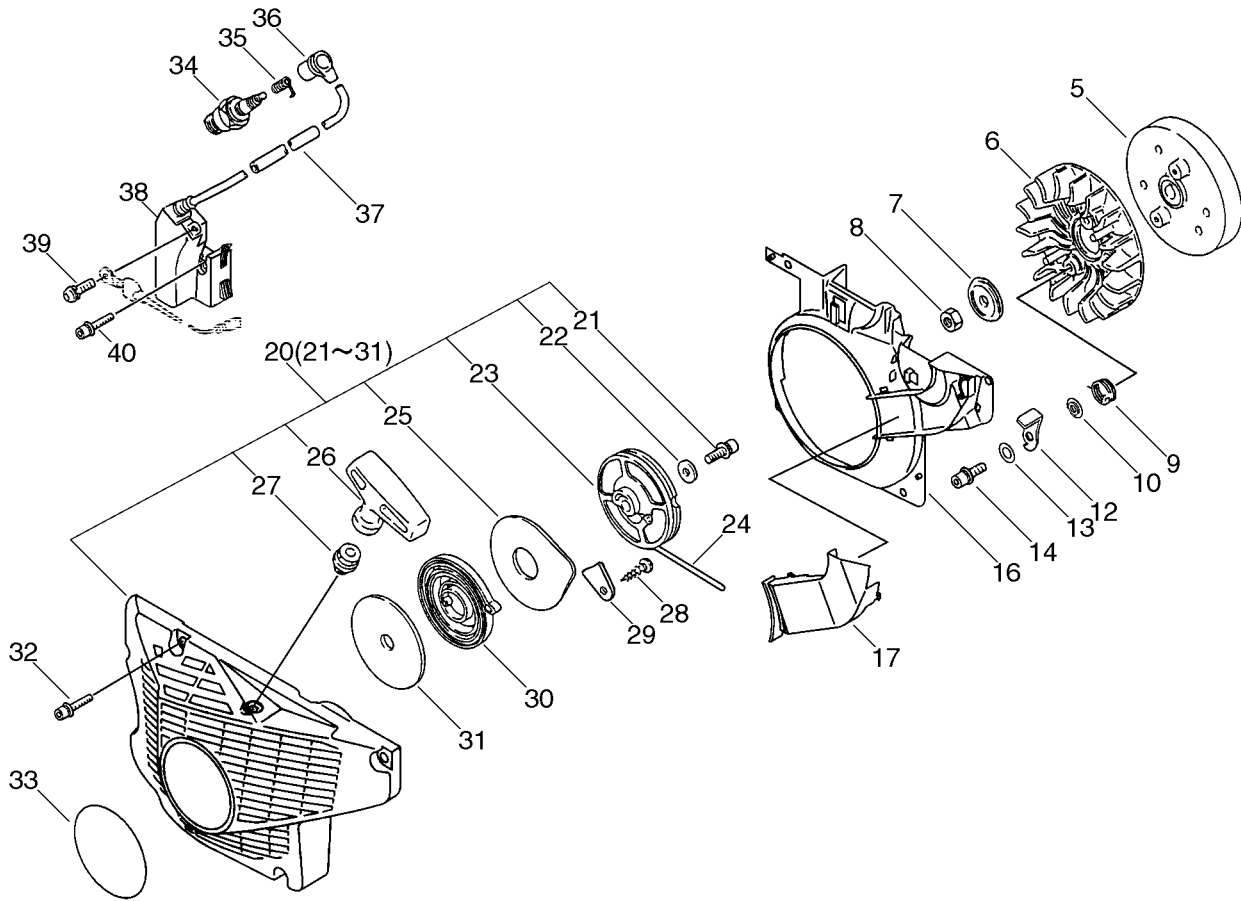
ITEM	PART NUMBER	QTY	DESCRIPTION	REMARKS
5	A130-000172	1	CYLINDER	
6	900162-05025	4	BOLT, H.S. 5*25	
7	101010-32431	1	GASKET, CYL. BASE	
8	A202-000011	1	BELLOWS,INTAKE	
9	900162-05014	2	BOLT, H.S. 5*14	
10	P021-015290	1	PISTON KIT	
11	+ A101-000150	1	RING, PISTON	
12	+ V610-000000	1	PIN,ENG 12	
13	+ V580-000000	2	RING,END	
14	+ 100012-32430	1	BEARING, NEEDLE	
40	+ 100014-18430	2	SPACER, PISTON PIN	
17	433000-19831	1	CATCHER KIT, CHAIN	
18	+ 900220-05018	1	SCREW 5*18	
19	900600-00005	1	WASHER 5	
20	100204-32435	1	CRANKCASE KIT	
21	+ 100212-32430	1	OILSEAL (L)	
22	+ 900345-50010	1	PIN, SPRING 5*10SUS	
23	+ 100215-02830	2	PIN, DOWEL	
24	+ 433011-19830	2	STUD, GUIDE BAR	
25	+ 100242-32430	1	GASKET, CRANKCASE	
26	+ 900810-36202	2	BEARING, BALL 6202	
27	+ 100212-19830	1	OILSEAL	
28	+ 436114-13930	1	VALVE, CHECK	
29	+ V150-000570	1	PLATE,EYE	
30	+ 900242-04008	1	SCREW	
32	A011-000250	1	CRANKSHAFT,ASM	
33	100142-30830	1	KEY, WOODRUFF	
35	V401-000060	1	CUSHION,5	
36	900238-05014	1	SCREW 5*14	
37	900162-05035	4	BOLT, H.S. 5*35	
38	900162-05020	2	BOLT, H.S. 5*20	
42	436001-35934	1	CAP ASSY, OIL TANK	
43	+ 900725-02025	1	O-RING	
44	+ 131050-19830	1	RETAINER, LINK	
45	+ 900246-03008	1	SCREW 3*8	
46	+ 131051-19830	1	LINK	
47	900162-05020	5	BOLT, H.S. 5*20	
48	V341-000010	1	DEFLECTOR, HEAT	
49	A160-000461	1	COVER,CYLINDER	
51	890191-31731	1	LABEL, KICK BACK	
52	X524-002250	1	LABEL	
53	890191-30131	1	LABEL, KICK BACK	

CS-680 CHAIN SAW



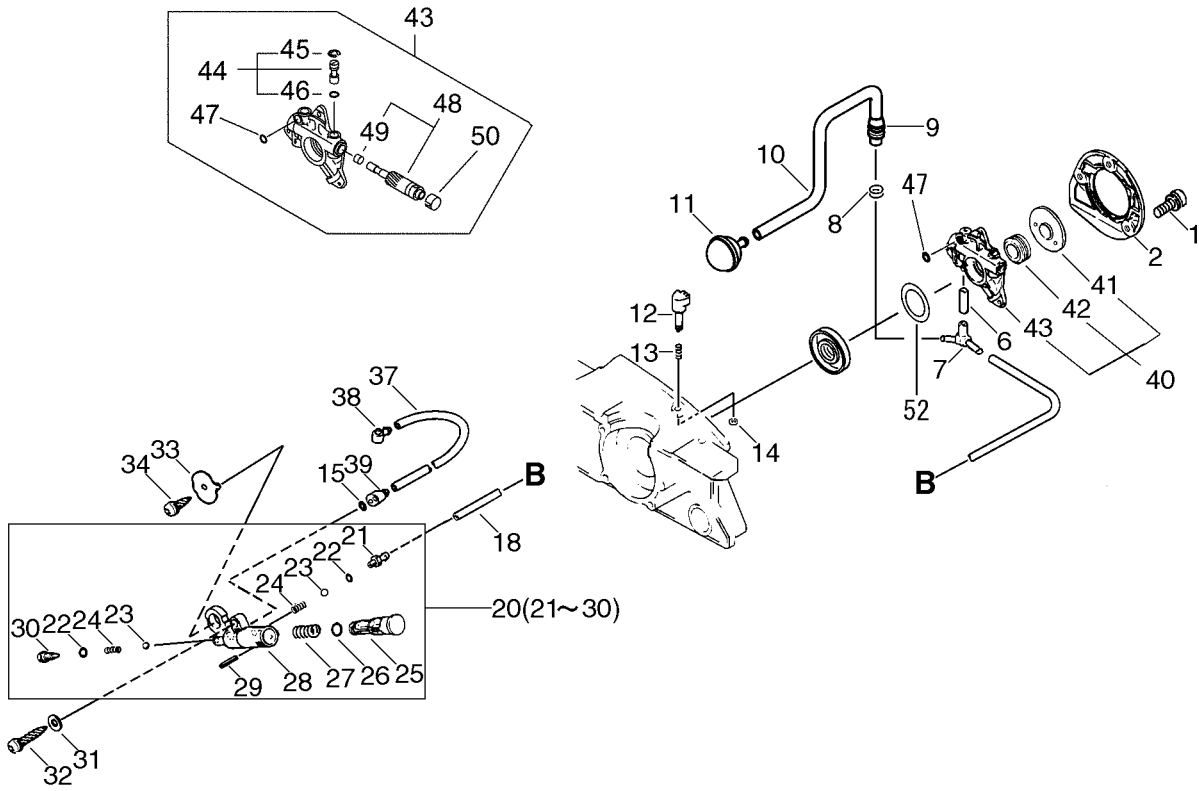
ITEM	PART NUMBER	QTY	DESCRIPTION	REMARKS
2	X503-009550	1	LABEL,MODEL	
3	A232-000070	1	LID,CLEANER	
5	V453-000040	2	SPRING,FLAT	
6	900253-04010	2	SCREW 4*10	
7	130338-32430	1	PLUG, COVER	
8	A235-000050	1	KNOB,CLEANER LID	
9	V451-000190	2	SPRING,TENSION	
10	900330-30120	4	PIN	
11	A238-000030	1	HOLDER,ELEMENT	
12	A226-000070	1	ELEMENT,AIR FILTER	
13	A204-000020	1	ELBOW,CARBURETOR	
14	91107-05050	2	BOLT HSH FLANGE	
18	130110-19830	1	PIPE, IMPULSE	
19	V131-000010	1	GROMMET,NEEDLE	
20	A021-001800	1	CARBURETOR,DIAPHRAGM	
25	A241-000030	1	KNOB,CHOKE	
26	178810-33331	1	GROMMET, CHOKE	
27	178114-32630	1	HOLDER, THR. LEVER	
28	C454-000180	1	ROD, THROTTLE	
29	163400-32430	1	SWITCH, IGNITION	
30	890157-19830	1	LABEL, SWITCH	
32	156635-32430	1	PLATE, GROUND	
33	162021-32431	1	LEAD	
35	A220-000012	1	CASE,CARBURETOR	
36	V420-000540	1	CUSHION	
37	900162-05020	4	BOLT, H.S. 5*20	
38	P021-002800	1	INSULATOR,INTAKE	
39	V420-000320	1	CUSHION	
44	V104-000920	1	GASKET,EXHAUST	
45	145510-32431	1	GASKET, MUFFLER	
46	A300-000781	1	MUFFLER, EXHAUST	
47	900162-05020	2	BOLT, H.S. 5*20	
48	900162-05014	2	BOLT, H.S. 5*14	
49	145711-32430	1	BRACKET, MUFFLER	
50	145813-31730	1	COVER, MUFFLER	
53	145862-32630	1	SCREEN, MUFFLER	
54	A313-000280	1	GUIDE,EXH	
55	900162-04010	2	BOLT, H.S. 4*10	

CS-680 CHAIN SAW



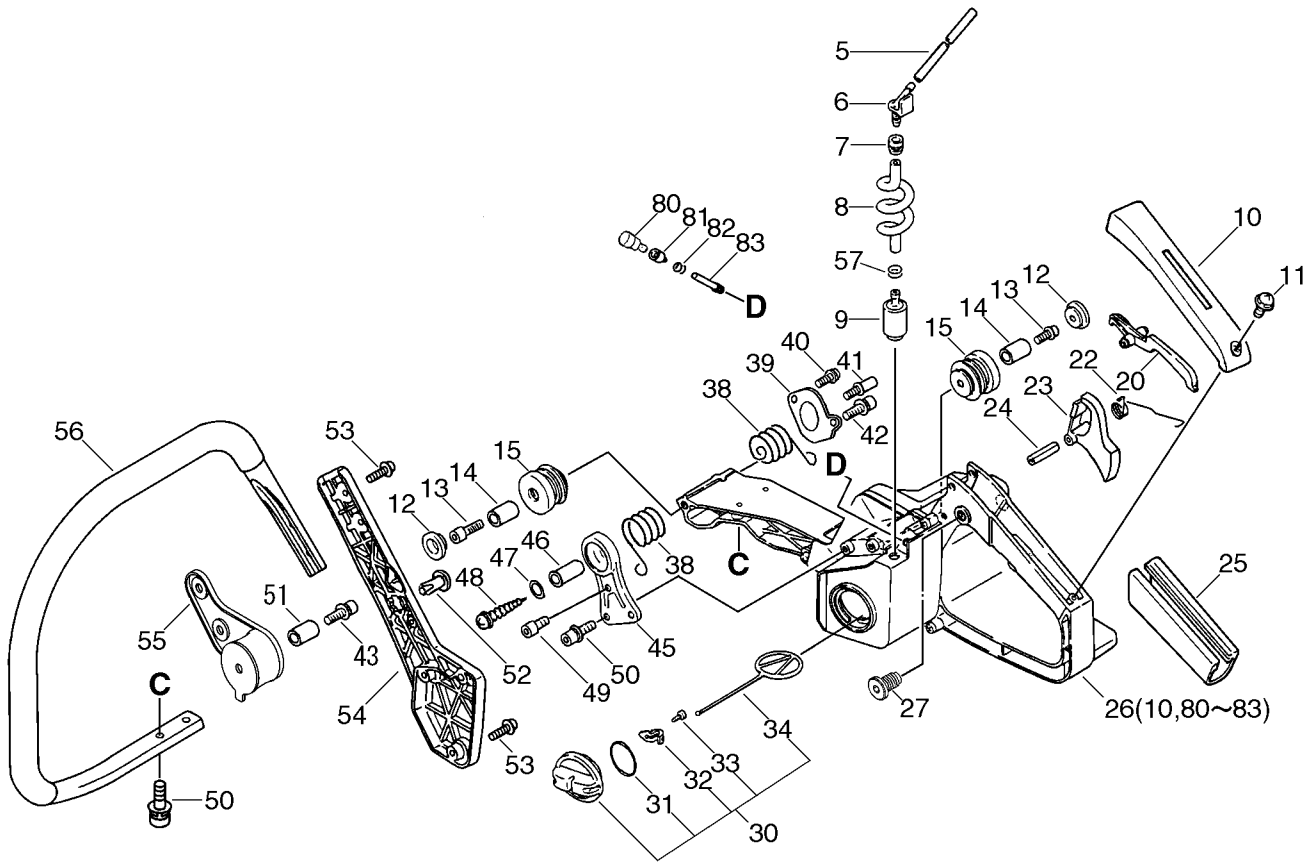
ITEM	PART NUMBER	QTY	DESCRIPTION	REMARKS
5	156800-32631	1	ROTOR, MAGNETO	
6	A171-000060	1	FAN, COOLING	
7	100143-19830	1	WASHER	
8	900500-00008	1	NUT 8	
9	177234-19832	2	SPRING, RETURN	
10	V353-000192	2	COLLAR,5	
12	177218-32631	2	PAWL, STARTER	
13	900603-00005	2	WASHER 5	
14	V203-000150	2	BOLT,5	
16	A172-000850	1	COVER,FAN	
17	A161-000020	1	DUCT,AIR	
20	P021-002901	1	STARTER ASY	
21	+ 900162-05014	1	BOLT, H.S. 5*14	
22	+ 900603-00005	1	WASHER 5	
23	+ 177215-32330	1	DRUM, STARTER	
24	+ 177226-07060	1	ROPE, STARTER	
25	+ 177221-07060	1	PLATE, STARTER	
26	+ 177228-30830	1	GRIP, STARTER	
27	+ 177227-10630	1	GUIDE, ROPE	
28	+ 900253-04008	1	SCREW 4*8	
29	+ 433144-15130	1	PLATE,EYE	
30	+ 177220-02834	1	SPRING, REWIND	
31	+ 177221-02830	1	PLATE, STARTER	
32	900162-05020	4	BOLT, H.S. 5*20	
33	X502-000460	1	LABEL,ECHO	
34	159010-10630	1	PLUG, SPARK (BPM-7A) (USA)	
34	159010-10230	1	PLUG, SPARK (BPMR-7A) (CANADA)	
35	A426-000010	1	TERMINAL,SPARKPLUG	
36	A427-000013	1	CAP,SPARK PLUG	
37	156611-19830	1	TUBE	
38	156601-32632	1	COIL, IGNITION	
39	900242-04008	1	SCREW	
40	900162-04020	2	BOLT, H.S. 4*20	

CS-680 CHAIN SAW



ITEM	PART NUMBER	QTY	DESCRIPTION	REMARKS
1	900162-04012	3	BOLT, H.S. 4*12	
2	437605-32430	1	COVER, OIL PUMP	
40	437000-37530	1	AUTO-OILER ASSY	
41	+ 437066-30130	1	WASHER, CIRCULAR 12	
42	+ 437063-19930	1	WORM (P)	
43	+ 437002-37530	1	AUTO-OILER ASSY	
44	++ 437009-35430	1	PIN, CONTROL	
45	+++ 437065-19830	1	CLIP	
46	+++ 437030-19830	1	O-RING	
47	++ 900720-00003	1	O-RING 3	
48	++ 437006-32330	1	PLUNGER KIT	
49	+++ 437020-32430	1	V-RING	
50	++ 437062-19830	1	CAP, PLUNGER	
6	437211-32430	1	PIPE	
7	437212-32430	1	CONNECTOR, OIL PIPE	
8	132013-26630	1	CLIP	
9	132115-12330	1	GROMMET	
10	437210-38330	1	PIPE, OIL	
11	436205-14730	1	STRAINER, OIL	
12	437039-37630	1	KNOB	
13	437015-19830	1	SPRING	
14	900700-00003	1	E-RING 3	
15	900720-00003	1	O-RING 3	
18	437210-15130	1	PIPE, OIL	
20	437100-38832	1	OILER ASY, MANUAL	
21	+ 437118-19830	1	NIPPLE	
22	+ 437122-03430	2	O-RING	
23	+ 437012-00330	2	VALVE, BALL	
24	+ V450-000290	2	SPRING, COMPRESSION	
25	+ 437112-38731	1	PISTON, OIL PUMP	
26	+ 900720-00007	1	O-RING 7	
27	+ 437111-19830	1	SPRING	
28	+ 437110-19831	1	BODY, OIL PUMP	
29	+ 900345-20016	1	PIN, SPRING 2*16SUS	
30	+ 437121-10130	1	ADAPTER, OIL PUMP	
31	900603-00005	1	WASHER 5	
32	900252-05020	1	SCREW 5*20	
33	437413-19830	1	BRACKET, OIL PUMP	
34	900252-04010	1	SCREW 4*10	
37	437216-32630	1	PIPE, OUTLET	
38	437232-32630	1	CONNECTOR, OIL PIPE	
39	437212-32630	1	CONNECTOR, OIL PIPE	
52	437021-31730	1	SEAL, CIRCULAR	

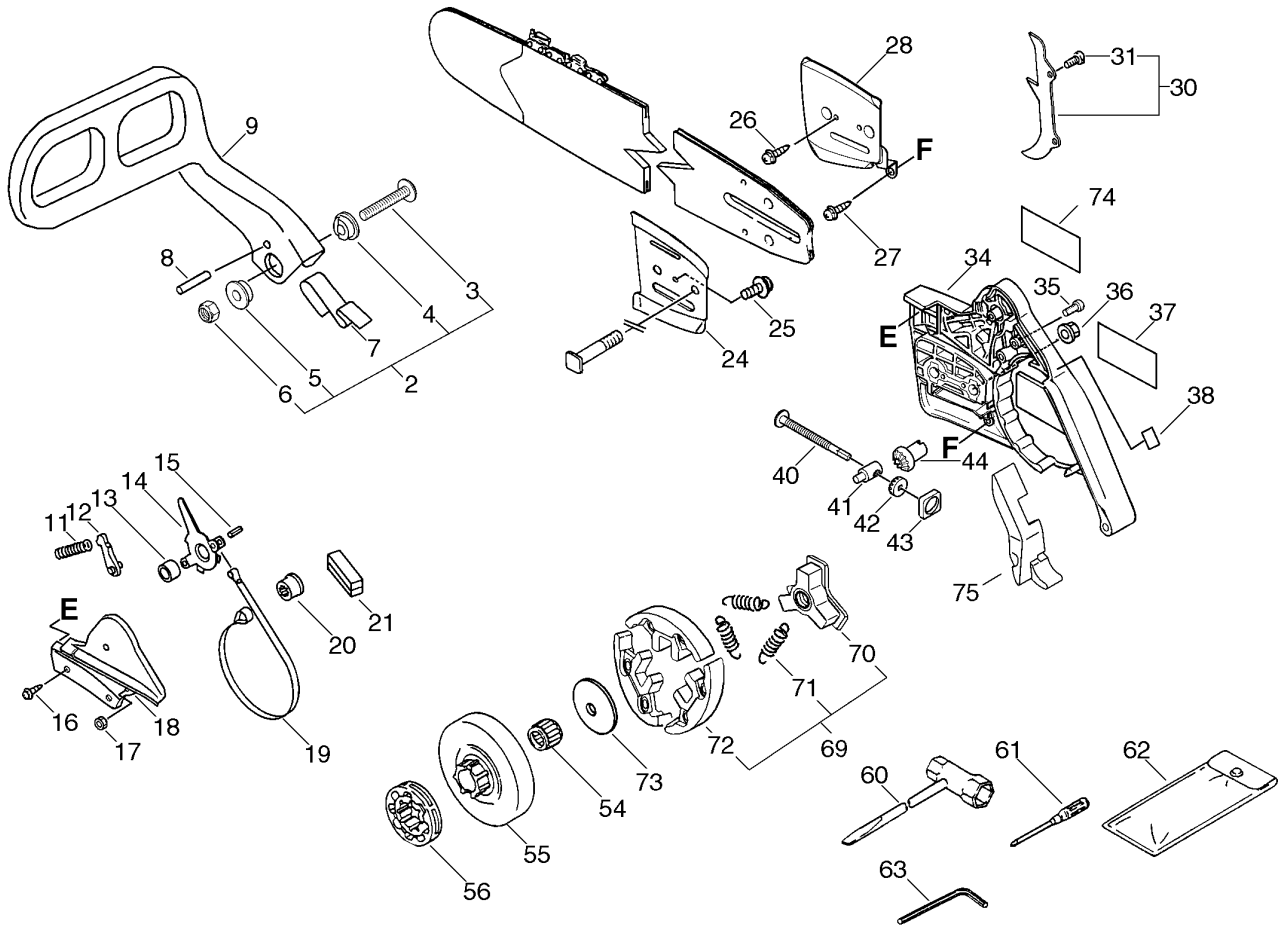
CS-680 CHAIN SAW



CS-680 CHAIN SAW

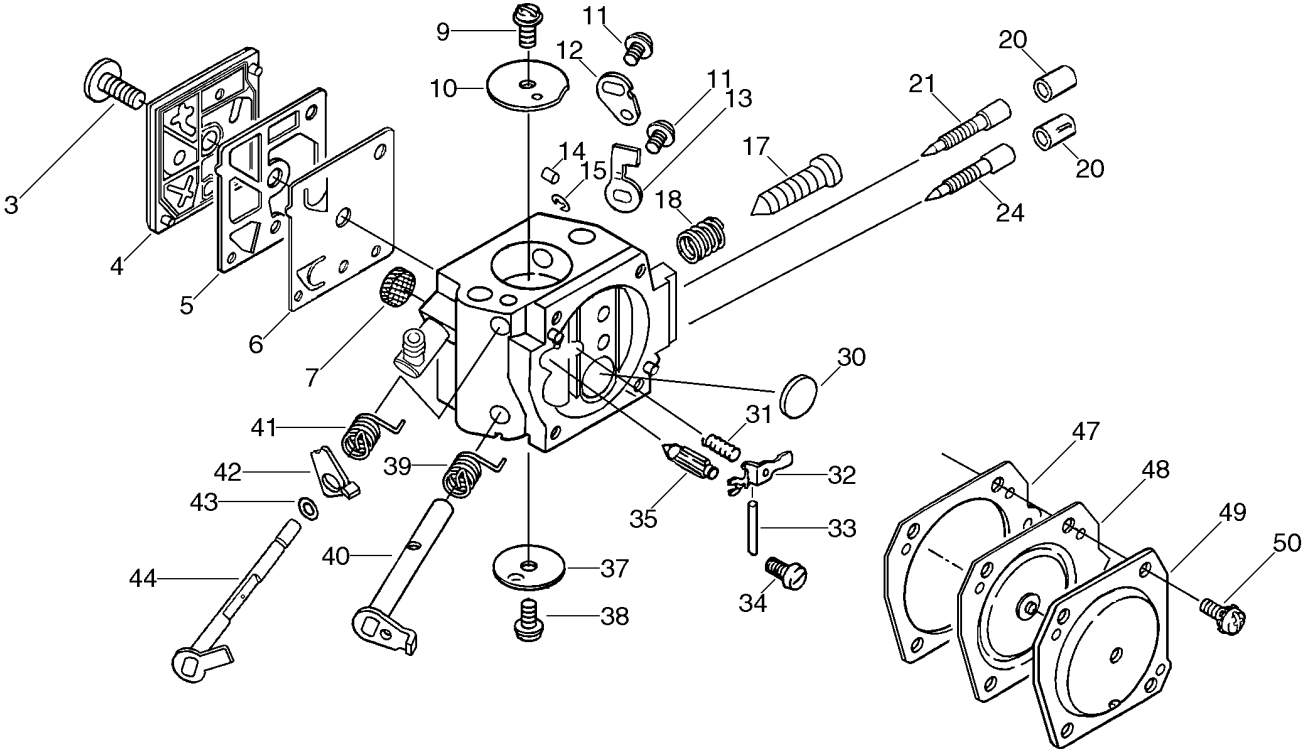
ITEM	PART NUMBER	QTY	DESCRIPTION	REMARKS
5	132010-56030	1	PIPE 3*6*110	
6	132011-19831	1	CONNECTOR, FUEL PIPE	
7	132115-01461	1	GROMMET	
8	132010-30830	1	PIPE	
9	131205-19831	1	STRAINER, FUEL	
11	900238-04014	1	SCREW 4*14	
12	100918-19830	2	CAP, CUSHION	
13	900105-05025	2	BOLT, H.S. 5*25	
14	V353-000110	2	COLLAR,5	
15	V420-000530	2	CUSHION	
20	178090-37930	1	LOCKOUT, THRO CONTROL	
22	178043-19830	1	SPRING, THRO RETURN	
23	C450-000281	1	TRIGGER,THROTTLE	
24	900342-50025	1	PIN, SPRING 5*25	
25	351111-19830	1	GRIP, HANDLE	
26	351103-32433	1	HANDLE, REAR	
10	+ 351155-35430	1	COVER, HANDLE (BL)	
80	+ 131300-56430	1	VALVE, CHECK	
81	+ 131328-40630	1	COVER, VENT	
82	+ 130111-00530	1	CLIP	
83	+ 131312-32430	1	PIPE, VENT	
27	V162-000040	1	PLUG	
30	131004-37631	1	CAP ASSY, FUEL TANK	
31	+ 900720-20029	1	O-RING 29	
32	+ 131050-19830	1	RETAINER, LINK	
33	+ 900246-03008	1	SCREW 3*8	
34	+ 131051-19830	1	LINK	
38	V450-000150	2	SPRING,COMPRESSION	
39	V150-000750	1	PLATE,EYE	
40	900162-04008	1	BOLT, H.S. 4*8	
41	V203-000050	1	BOLT,5	
42	900162-05014	1	BOLT, H.S. 5*14	
43	900162-05020	1	BOLT, H.S. 5*20	
45	V419-000010	1	BRACKET,CUSHION	
46	V353-000120	1	COLLAR,5	
47	900630-00005	1	WASHER 5	
48	900105-05035	1	BOLT, H.S. 5*35	
49	900105-05008	1	BOLT, H.S. 5*8	
50	900162-05014	4	BOLT, H.S. 5*14	
51	V353-000281	1	COLLAR,5	
52	V649-000010	1	RIVET	
53	900238-05020	5	SCREW 5*20	
54	351616-38130	1	BRACKET, HANDLE	
55	V401-000170	1	CUSHION,5	
56	C400-000100	1	HANDLE,FRONT	
57	132013-26630	1	CLIP	

CS-680 CHAIN SAW



ITEM		PART NUMBER	QTY	DESCRIPTION	REMARKS
		P021-010642	1	BRAKE,ASM CHAIN	
2	++	433113-37539	1	SCREW KIT	
3	++	900209-05035	1	SCREW	
4	++	433167-39730	1	COLLAR 5	
5	++	433167-39130	1	SPACER	
6	++	900562-50005	1	LOCKNUT 5	
7	+	433114-38131	1	SPRING	
8	+	900330-35260	1	PIN 3.5*26	
9	+	433105-38131	1	LEVER, BRAKE	
11	+	433122-38130	1	SPRING, BRAKE	
12	+	433209-35430	1	STOPPER, BRAKE	
13	+	433116-35430	1	SPACER 8	
14	+	433208-35431	1	LEVER, BRAKE	
15	+	900330-40088	1	ROLLER 4*8.8	
16	+	900252-04012	2	SCREW 4*12	
17	+	900500-00003	1	NUT 3	
18	+	433310-38130	1	COVER, BRAKE	
19	+	433123-38131	1	BAND, BRAKE	
20	+	433142-35430	1	ADJUSTER, BRAKE	
21	+	433312-32630	1	COVER, SEAL	
24		433013-30830	1	PLATE, GUIDE (INNER)	
25		900241-04008	1	SCREW 4*8	
26		900241-03006	2	SCREW 3*6	
27		900253-04010	1	SCREW 4*10	
28		C305-000040	1	PLATE, GUIDE (OUTER)	
30		P021-002880	1	BUMPER, SPIKED	
31	+	900105-05012	2	BOLT, H.S. 5*12	
34	+++	P021-002286	1	SPROCKET GUARD	
35	+++	900220-03018	1	SCREW (+-SR 3*18)	
36		433019-12330	2	NUT, FLANGE 8	
37		X502-000560	1	LABEL,ECHO	
38		X524-000680	1	LABEL	
40		V203-000110	1	BOLT,5	
41		C309-000030	1	TENSIONER,CHAIN	
42		V651-000011	1	GEAR,BEVEL	
43		V355-000270	1	COLLAR,8	
44		V651-000001	1	GEAR,BEVEL	
54		175012-32430	1	BEARING, NEEDLE	
55		175105-32431	1	DRUM, CLUTCH	
56		175033-14731	1	SPROCKET, RIM 68210S	
60		X602-000080	1	TOOL,WRENCH	
61		895812-03930	1	DRIVER, SCREW 50	
62		898510-39130	1	BAG, TOOL	
63		895610-00130	1	L-WRENCH (4MM)	
69	++++	A056-000050	1	CLUTCH ASSEMBLY	
70	++++	A552-000040	1	HUB,CLUTCH	
71	++++	V451-000430	3	SPRING,TENSION	
72	++++	P021-007790	1	SHOE,CLUTCH (QTY 3)	
73		A551-000051	1	PLATE,CLUTCH	
74		X505-002040	1	LABEL,CAUTION	
75	+++	C302-000000	1	PAD, GUARD	

CS-680 CHAIN SAW



CS-680 CHAIN SAW

ITEM	PART NUMBER	QTY	DESCRIPTION	REMARKS
	A021-001800	1	CARBURETOR,DIAPHRAGM	
3	+ 123110-16130	1	SCREW, PUMP COVER	
4	+ 123124-19830	1	COVER, FUEL PUMP	
5	+ 123125-12330	1	GASKET, FUEL PUMP	
6	+ 123112-12330	1	DIAPHRAGM, FUEL PUMP	
7	+ 123126-10631	1	SCREEN, INLET	
9	+ 123114-03930	1	SCREW	
10	+ 123132-32430	1	VALVE, CHOKE	
11	+ 123114-03930	2	SCREW	
12	+ P003-000590	1	LEVER, CHOKE	
13	+ 123156-30830	1	STOP, THROTTLE	
14	+ 123178-15030	1	PLUG, FRICTION	
15	+ 123127-15030	1	RING	
17	+ 123134-19730	1	SCREW, IDLE ADJUST	
18	+ P003-000540	1	SPRING, IDLE ADJUST	
20	+ P003-000010	2	LIMITER CAP	
21	+ P003-002310	1	NEEDLE, HIGH SPEED	
24	+ 12311802261	1	NEEDLE, LOW SPEED	
30	+ 123146-10631	1	PLUG, WELCH	
31	+ 123122-32630	1	SPRING, METER. LEVER	
32	+ 123123-18330	1	LEVER, METERING	
33	+ 123138-03930	1	PIN, METERING LEVER	
34	+ 123139-03930	1	SCREW, METER LEVER PIN	
35	+ 123137-19830	1	VALVE, INLET NEEDLE	
37	+ 123132-16130	1	VALVE, THROTTLE	
38	+ 123114-05260	1	SCREW	
39	+ P003-000560	1	SPRING, THRT. RETURN	
40	+ P003-000550	1	SHAFT, THROTTLE	
41	+ P003-000610	1	SPRING, CHOKE RETURN	
42	+ P003-000620	1	LEVER-FAST IDLE	
43	+ 123149-26030	1	WASHER	
44	+ P003-000600	1	SHAFT, CHOKE	
47	+ 123140-18331	1	GASKET, M. DIAPHRAGM	
48	+ 123141-16131	1	DIAPHRAGM, METERING	
49	+ 123142-17330	1	COVER, METER DIAPHRAGM	
50	+ 123130-02960	4	SCREW	