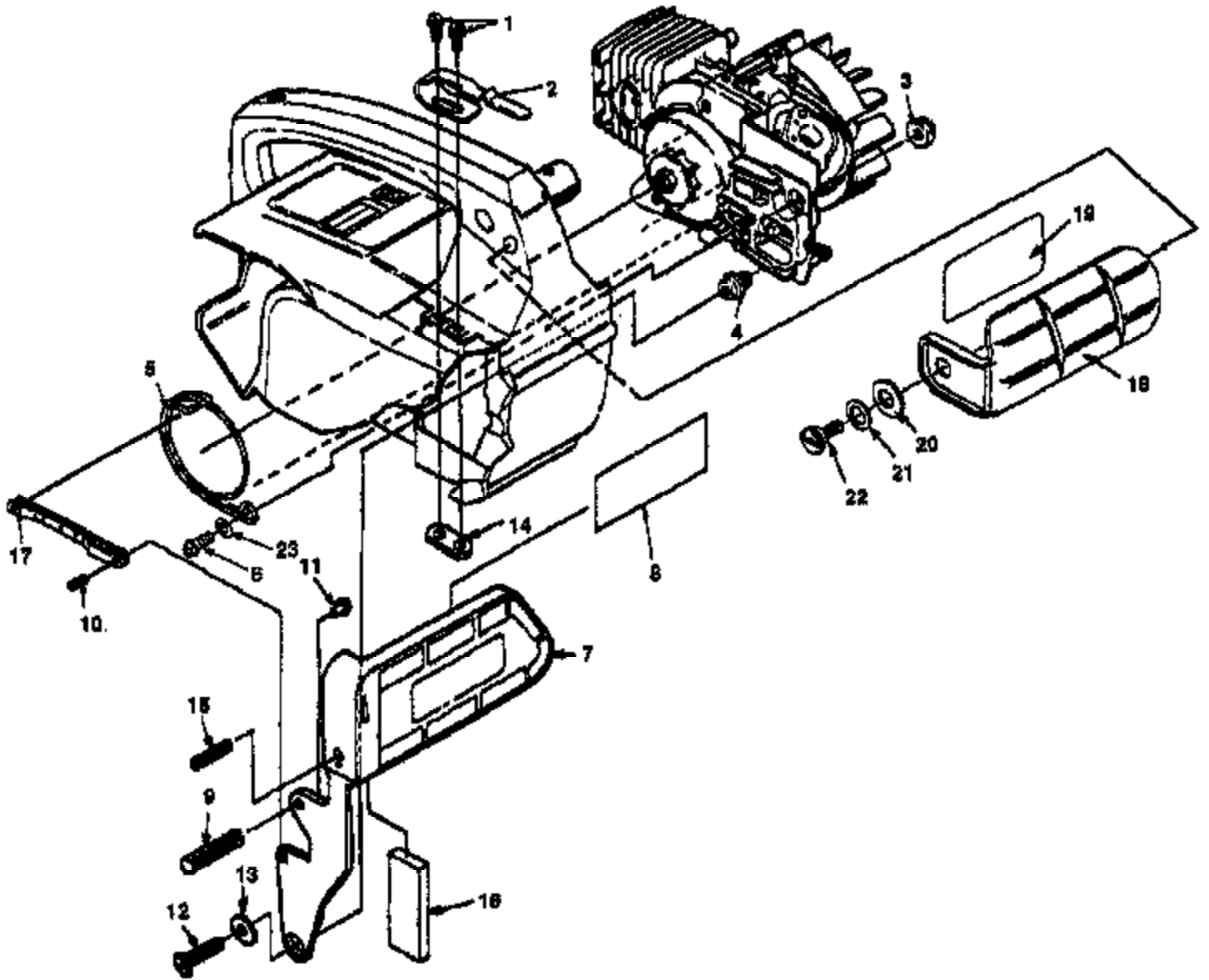
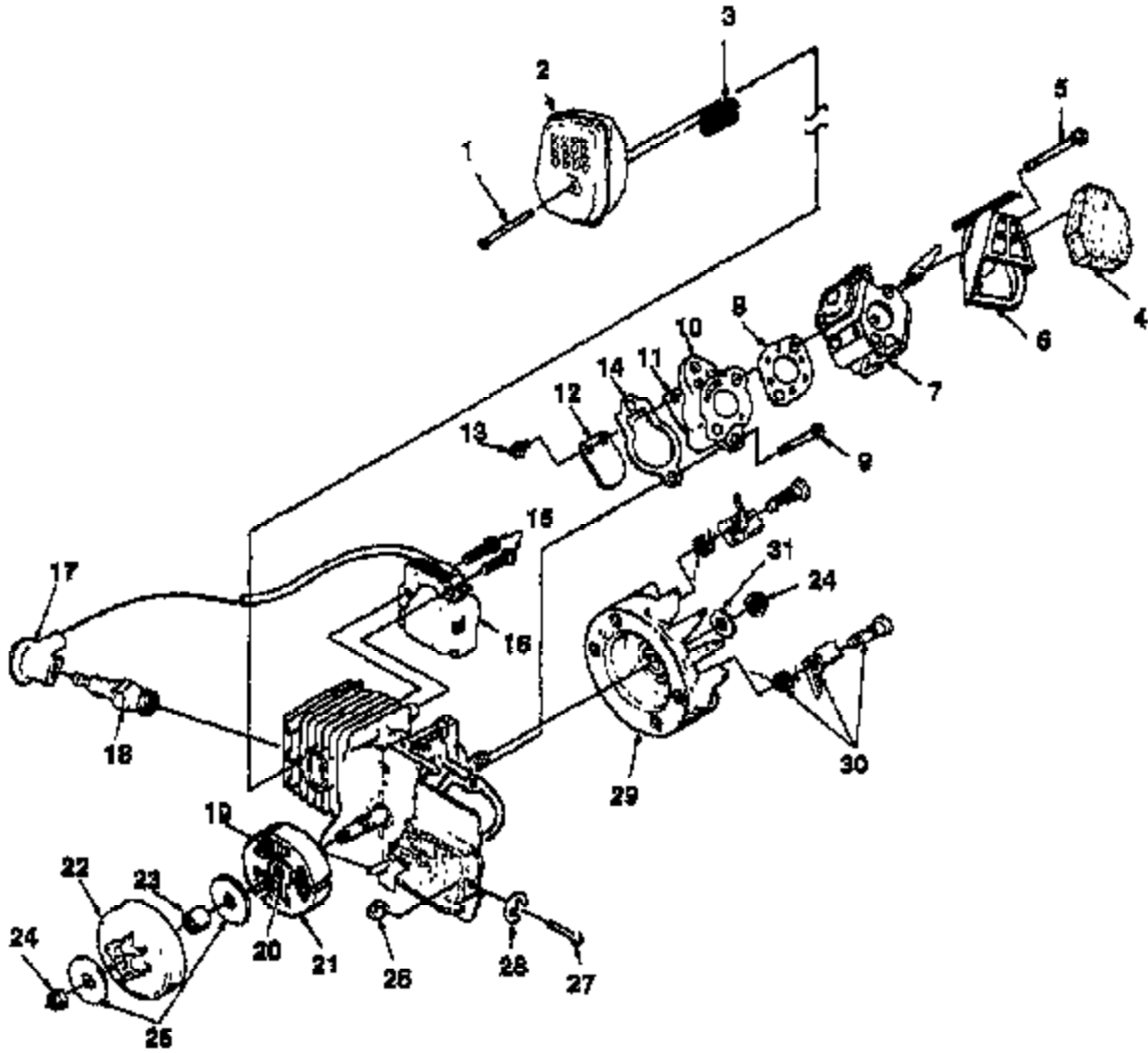


| Ref # | Part Number | Qty | Description   |
|-------|-------------|-----|---|
|       | A03904      | 1   | Gasket/Diaphragm Kit Included items 1 - 4                         |
| 1     | A01375      | 1   | Repair Kit Included items 1 - 10                                  |
|       |             | 1   | Included in Repair Kit P/N A03904 & Gasket/Diagram Kit P/N A01375 |
| 2     |             | 1   | Included in Repair Kit P/N A03904 & Gasket/Diagram Kit P/N A01375 |
| 3     |             | 1   | Included in Repair Kit P/N A03904 & Gasket/Diagram Kit P/N A01375 |
| 4     |             | 1   | Included in Repair Kit P/N A03904 & Gasket/Diagram Kit P/N A01375 |
| 5     |             | 1   | Included in Repair Kit P/N A03904                                 |
| 6     |             | 1   | Included in Repair Kit P/N A03904                                 |
| 7     |             | 1   | Included in Repair Kit P/N A03904                                 |
| 8     |             | 1   | Included in Repair Kit P/N A03904                                 |
| 9     |             | 1   | Included in Repair Kit P/N A03904                                 |
| 10    |             | 1   | Included in Repair Kit P/N A03904                                 |

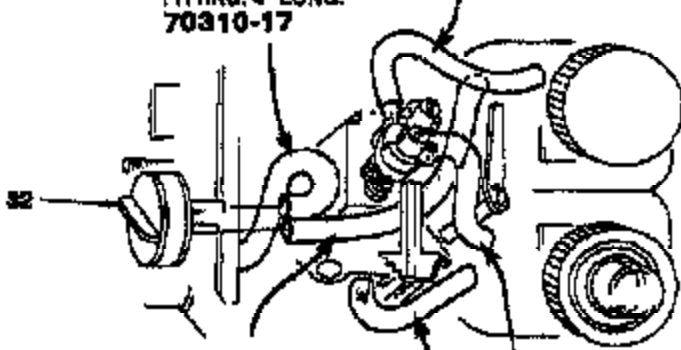


| Ref # | Part Number | Qty | Description                            |
|-------|-------------|-----|--|
| 1     | 88066       | 2   | SCREW-Hex Hd. w/Washer (8-32 X 1/2")   |
| 2     | 02635       | 1   | CLIP-Retaining                         |
| 3     | 81124A      | 1   | NUT-Hex, Jam                           |
| 4     | 70636       | 1   | POST-Chain Brake                       |
| 5     | 70637C      | 1   | BAND-Brake                             |
| 6     | 82538       | 1   | SCREW-Thread Form (10-24 x 3/4")       |
| 7     | A03061A     | 1   | HANDGUARD & LEVER (200, Super 2 SL)    |
| 8     | 02661       | 1   | DECAL-Safety                           |
| 9     | JA461383    | 1   | PIN-Roll (3/16 X 1")                   |
| 10    | 95395A      | 1   | PIN-Roll                               |
| 11    | 82367       | 1   | SCREW-Drive                            |
| 12    | 82166       | 1   | SCREW-Machine, Pan Hd. (10-32 X 1/2")  |
| 13    | 70632       | 1   | WASHER-Flat                            |
| 14    | 02637       | 1   | NUT-Weld                               |
| 15    | JA461361    | 1   | PIN-Roll                               |
| 16    | 02462       | 1   | WEIGHT-Handle (International Only)     |
| 17    | A70767      | 1   | PIVOT-Link                             |
| 18    | A70796C     | 1   | HANDGUARD KIT (Super 2, XL, 180 & 192) |
| 19    | 02661       | 1   | DECAL-Handguard                        |
| 20    | 95694       | 1   | WASHER-Curve Spring                    |
| 21    | 96102       | 1   | WASHER-Flat                            |
| 22    | 95714       | 1   | SCREW-Shoulder                         |
| 23    | 84008       | 1   | WASHER- Flat (#10)                     |



OUTLET OIL FITTING  
 TO GUIDE BAR PAD  
 FITTING, 4" LONG.  
**70310-17**

PRESSURE PULSE LINE  
 FROM CARBURRETOR  
 BRASS ELBOW TO  
 DUCK BILL IN OIL TANK  
 4 3/4" LONG.  
**70310-19**

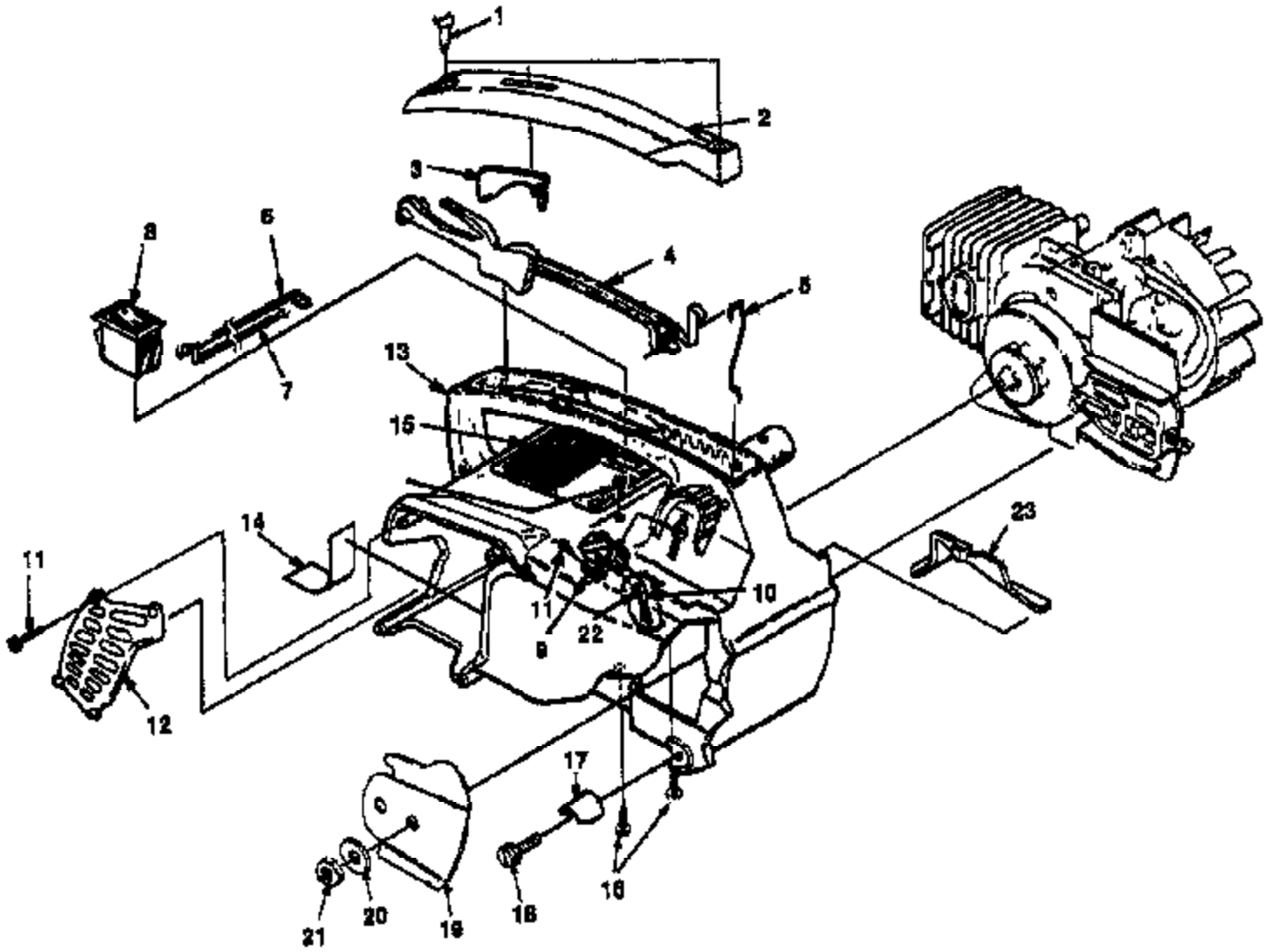


FROM OIL PICK UP  
 TO CENTRAL VALVE  
 FITTING, 8" OVERALL  
 LENGTH WITH 4 1/2"  
 OUT OF TANK,  
**70310-32**

FUEL INLET LINE  
 FROM PICK UP  
 TO FITTING ON  
 BOTTOM OF  
 CARBURRETOR, 8 1/2"  
 LONG OVERALL  
 AND 1 3/4" OUT  
 OF TANK,  
**70310-22**

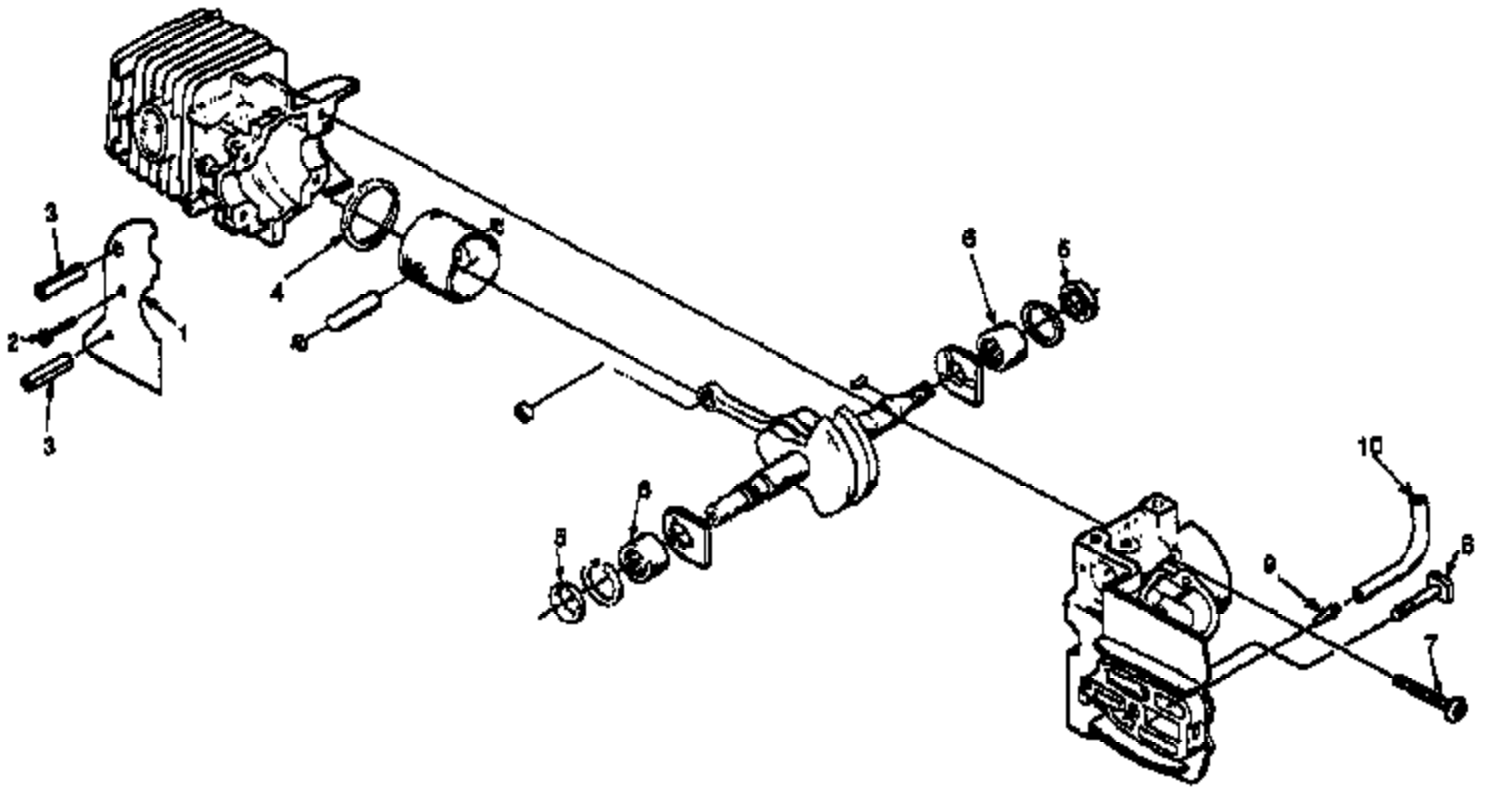
PRIMER INLET LINE  
 FROM CARBURRETOR  
 FITTING UNDER  
 ADJUSTING SCREWS  
 TO PRIMER FITTING,  
 6 1/4" LONG, W/2 1/2"  
 OUT OF TANK,  
**70310-25**

| Ref # | Part Number | Qty | Description                            |
|-------|-------------|-----|--|
| 1     | 93460       | 1   | SCREW-Machine Hex Sems (#8 -32 X 3/4") |
| 2     | A02459      | 1   | MUFFLER                                |
| 3     | 02458       | 1   | SCREEN-Spark Arrestor                  |
| 4     | 02500       | 1   | FILTER-Air                             |
| 5     | 00167       | 2   | SCREW-Thread Forming                   |
| 6     | 02491A      | 1   | BOX-Air Filter                         |
| 7     | A01373      | 1   | CARBURETOR (Zama)                      |
| 8     | 02488       | 1   | GASKET-Carburetor                      |
| 9     | 82589       | 2   | SCREW-Plastite, (10-14 X 1")           |
| 10    | A02499      | 1   | HEAT DAM                               |
| 11    | 95983       | 1   | REED                                   |
| 12    | 03205       | 1   | STOP-Reed                              |
| 13    | 82498       | 2   | SCREW-Hex Taptite (4-40 X 3/8")        |
| 14    | 02453       | 1   | GASKET-Intake Manifold                 |
| 15    | 82540       | 2   | SCREW-Thread Forming (8-32 X 1")       |
| 16    | 94711CS     | 1   | MODULE-Ignition                        |
| 17    | A33055      | 1   | TERMINAL                               |
| 18    | 96169S      | 1   | SPARK PLUG (Champion DJ7Y)             |
|       | 79252       | 1   | SPARK PLUG (Champion RDJ7Y)            |
| 19    | 03961       | 3   | SPRING-Clutch                          |
| 20    | 79221       | 1   | SPIDER-Clutch                          |
| 21    | 79222A      | 3   | SHOE-Clutch                            |
| 22    | A95653C     | 1   | SPROCKET & DRUM                        |
| 23    | 70277       | 1   | BEARING                                |
| 24    | 81229       | 2   | NUT-Rotor (5/16-24)                    |
| 25    | 95299       | 2   | WASHER-Thrust                          |
| 26    | 692542      | 1   | PIN-Adjusting                          |
| 27    | A00440      | 1   | SCREW & E-RING KIT                     |
| 28    | 93574       | 1   | E-RING                                 |
| 29    | A04158      | 1   | ROTOR & STARTER PAWL                   |
| 30    | A70285E     | 1   | STARTER PAWL KIT                       |
| 31    | 84065       | 1   | WASHER-(5/16")                         |
| 32    | A01147      | 1   | OIL VALVE                              |

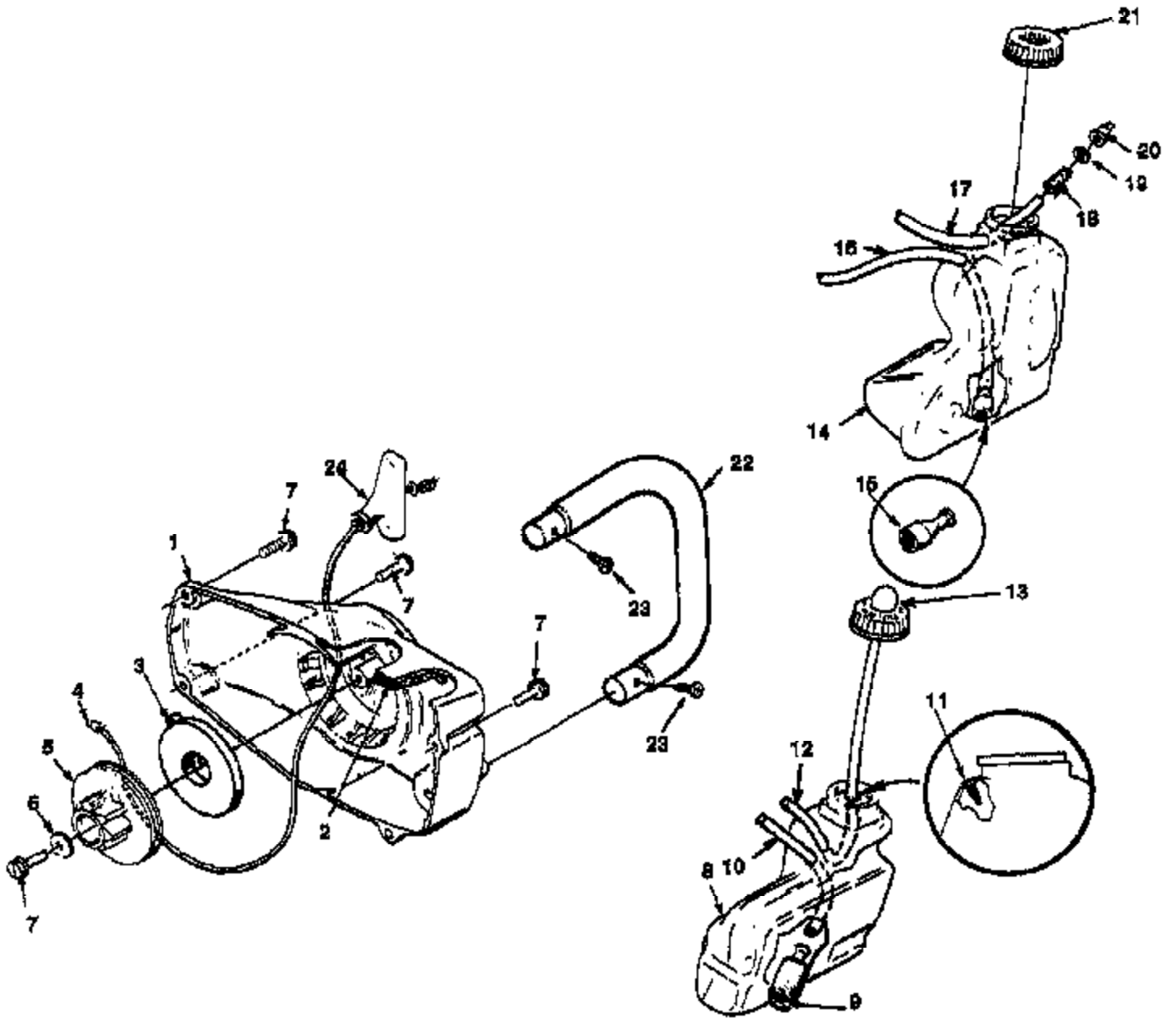


| Ref # | Part Number | Qty | Description                         |
|-------|-------------|-----|-------------------------------------|
| 1     | 94065       | 2   | SCREW-Pan, plastite (#10-16 X 3/4") |
| 2     | 02495       | 1   | COVER-Handle                        |
| 3     | 02493       | 1   | LOCK-Trigger                        |
| 4     | 02492A      | 1   | TRIGGER                             |
| 5     | 02501       | 1   | ROD-Throttle                        |
| 6     | A02482      | 1   | LEAD-w/Flag Term.                   |
| 7     | A02434      | 1   | LEAD-w/Ring Term.                   |
| 8     | 02491       | 1   | SWITCH                              |
| 9     | A01147      | 1   | OIL VALVE                           |
| 10    | 7031017     |     | TUBING-Rubber (4 1/4")              |
| 11    | 82528       | 5   | SCREW-Pan plastite (#6 X 3/8")      |
| 12    | 02765       | 1   | SHIELD-Muffler                      |
| 13    | A01232      | 1   | HOUSING-Engine                      |
| 14    | 95615       | 2   | TAPE                                |
| 15    | 02490A      | 1   | DECAL-Warning                       |
| 16    | 82538       | 4   | SCREW-Torx, taptite (10-24 X 3/4")  |
| 17    | 95212       | 1   | STOP-Chain                          |
| 18    | 82563       | 1   | SCREW-Torx, plastite (#10 X 3/4")   |
| 19    | 69360A      | 1   | PLATE-Guide Bar                     |
| 20    | 69309A      | 1   | WASHER-Flat                         |
| 21    | 810652      | 1   | NUT-Hex                             |
| 22    | 7031032     | 1   | TUBING Rubber (8")                  |
| 23    | 02481       | 1   | COVER- Air Filter                   |





| Ref # | Part Number | Qty | Description                                  |
|-------|-------------|-----|--|
| 1     | 02639       | 1   | SAW DUST SHIELD                              |
| 2     | 93932       | 1   | SCREW- Tapping (#6-32 x 5/16")               |
| 3     | 70763       | 2   | PIN- Roll (5/32 x 1 1/8") (Brake Model Only) |
|       | A001321     | 1   | SHORT BLOCK (XL, 180)                        |
| 4     | 93165       | 1   | RING- Piston                                 |
| 5     | 94638       | 2   | SEAL- Shaft                                  |
| 6     | 12530       | 2   | BEARING- Needle                              |
| 7     | 82567       | 4   | SCREW- Torx Pan Hd. (10-24 x 1 1/8")         |
| 8     | 69195       | 1   | BOLT-Guide Bar                               |
| 9     | 94619       | 1   | FITTING- Tube                                |
|       | A01105      | 1   | SHORT BLOCK (192, Super 2, 200, Super 2 SL)) |
|       | 93165       | 1   | RING-Piston                                  |
|       | 94638       | 2   | SEAL- Shaft                                  |
|       | 12530       | 2   | BEARING- Needle                              |
|       | 82567       | 4   | SCREW- Torx Pan Hd. (10-24 x 1 1/8")         |
|       | 69195       | 1   | BOLT- Guide Bar                              |
|       | 94619       | 1   | FITTING- Tube                                |
| 10    | 7031017     | 1   | TUBING- Rubber (Oil Line) (4 1/4")           |
|       | 7031099     | 1   | TUBING- Rubber (Oil Line) (10 Ft. Length)    |



| Ref # | Part Number | Qty | Description                         |
|-------|-------------|-----|-------------------------------------|
| 1     | A02562B     | 1   | STARTER HOUSING ASSY.               |
| 2     | 69443       | 1   | FILTER                              |
| 3     | A97908      | 1   | SPRING & CONTAINER                  |
| 4     | 9789901     | 1   | ROPE-Starter (46")                  |
|       | 98052A      | 1   | ROPE- Starter (250 Ft. Reel)        |
| 5     | 97768A      | 1   | PULLEY Starter                      |
| 6     | 94062       | 1   | WASHER-Retaining                    |
| 7     | 82563       | 5   | SCREW-Torx (#10 x 3/4")             |
| 8     | A027641     | 1   | FUEL TANK                           |
| 9     | 49422       | 1   | FILTER- Fuel                        |
| 10    | 7031022     | 1   | LINE-Fuel (5 1/2")                  |
| 11    | 08819       | 1   | VALVE-Check                         |
| 12    | 7031025     | 1   | TUBING-Return 6 1/4"                |
|       | 7031099     | 1   | TUBING- Rubber (10 Ft. Length)      |
| 13    | A01372A     | 1   | PRIMER & CAP                        |
| 14    | A027631     | 1   | OIL TANK                            |
| 15    | A68593      | 1   | FINDER-Oil                          |
| 16    | 7031032     | 1   | TUBING-Rubber (8")                  |
| 17    | 7031019     | 1   | TUBING-Rubber (4 3/4")              |
| 18    | 69659B      | 1   | FITTING-Oil                         |
| 19    | 83004       | 1   | WASHER- Lock                        |
| 20    | 98819       | 1   | VALVE-Check                         |
| 21    | A97230A     | 1   | OIL CAP                             |
| 22    | 02496       | 1   | HANDLE BAR                          |
| 23    | 94065       | 2   | SCREW- Pan Plastite (#10-16 x 3/4") |
| 24    | 02264       | 1   | GRIP-Starter                        |