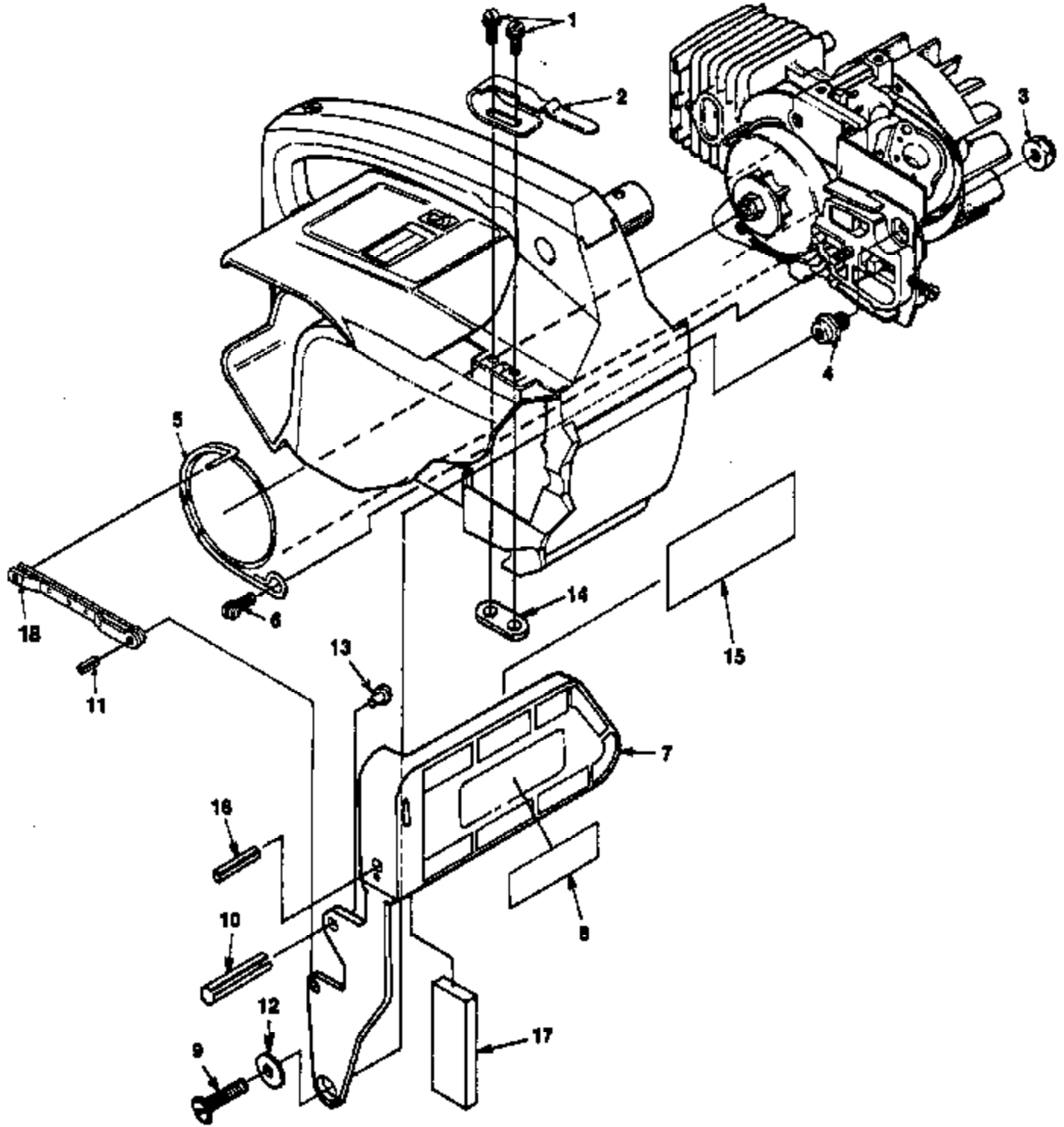
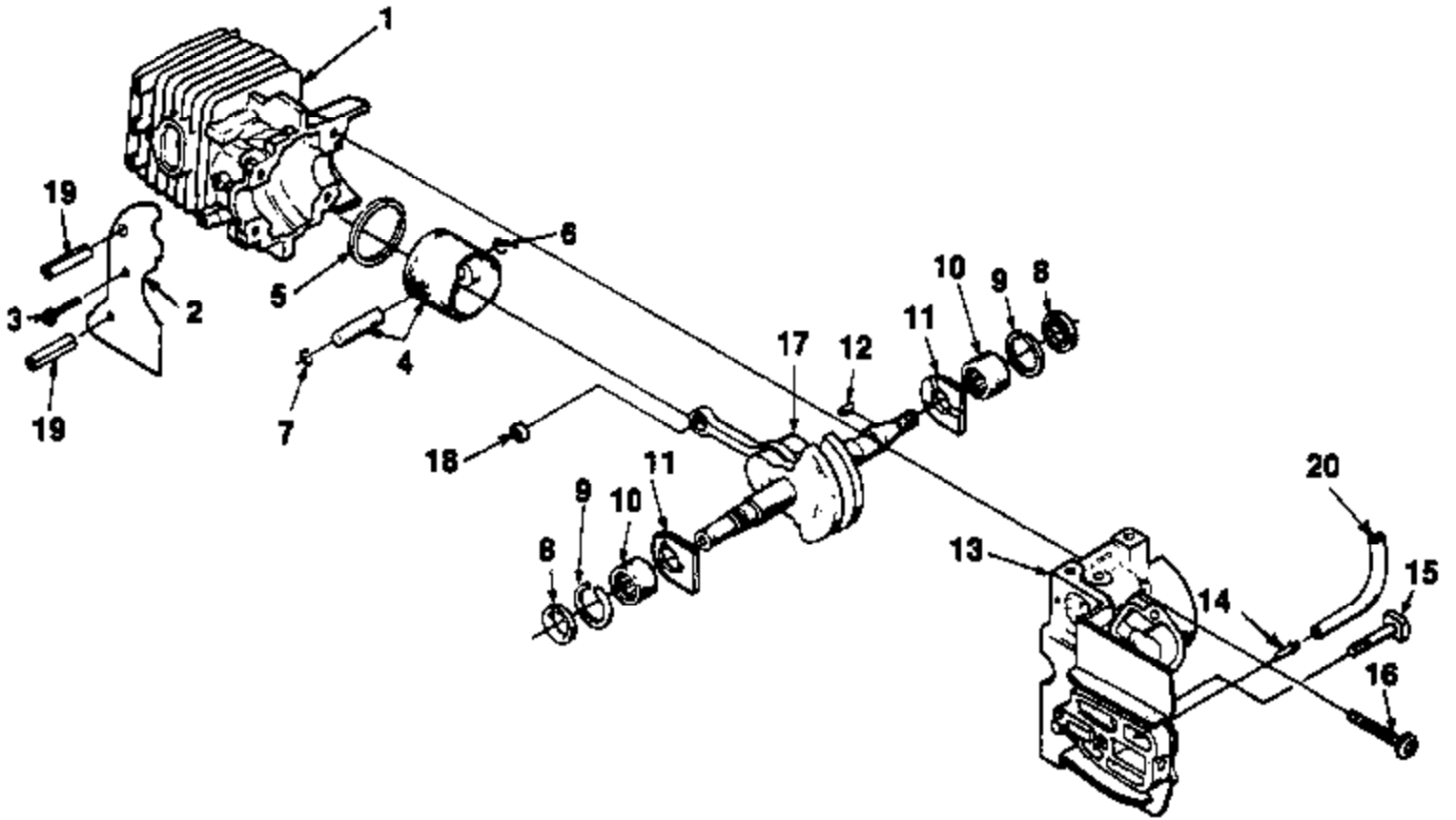


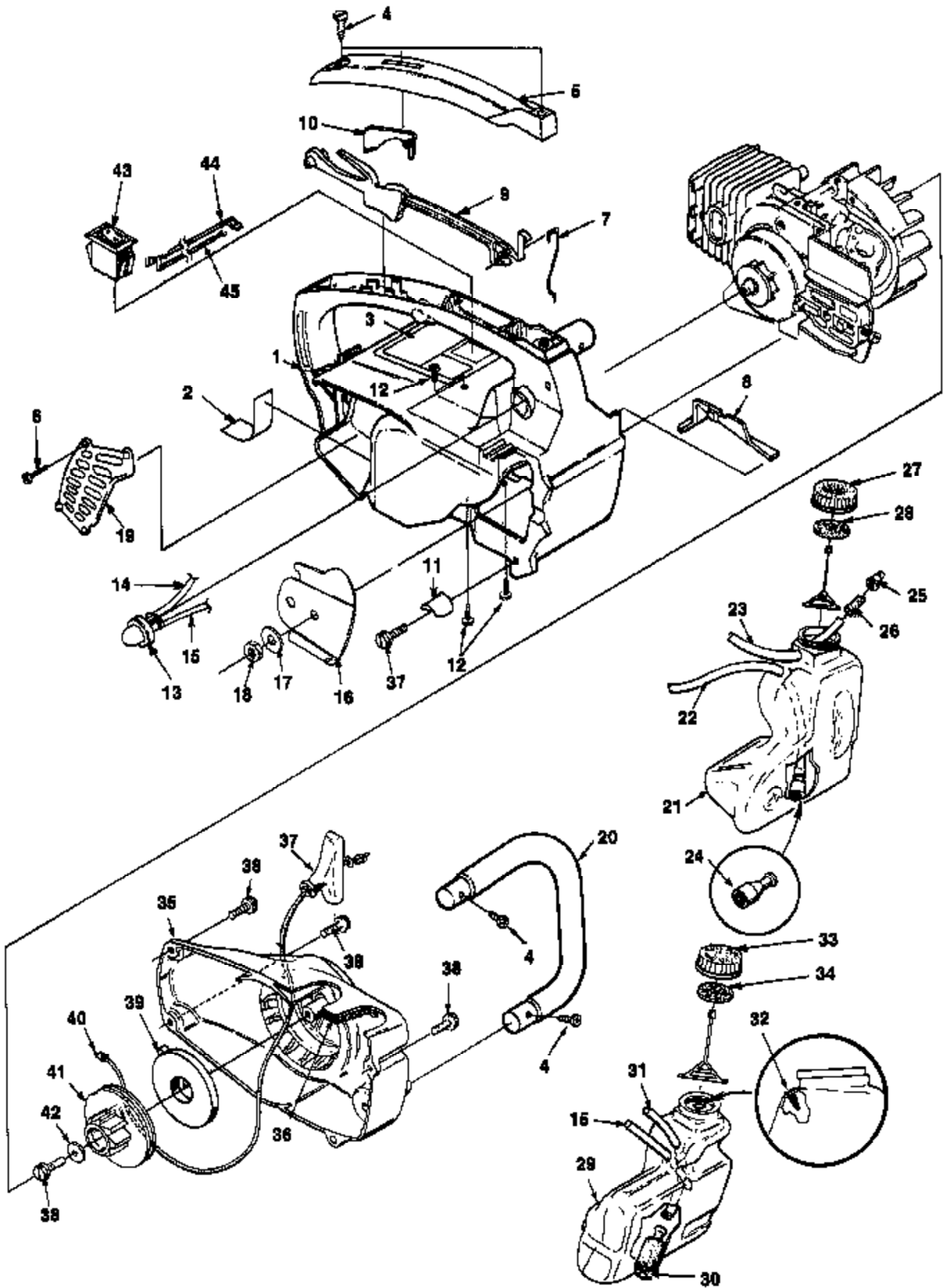
Ref #	Part Number	Qty	Description
1	02768	1	Repair Kit
	02773	1	Oil Pump Plunger Kit
2	02768	1	Repair Kit
	02773	1	Oil Pump Plunger Kit
3	02768	1	Repair Kit
	02769	1	Gasket/Diaphragm Kit
4	02768	1	Repair Kit
	02769	1	Gasket/Diaphragm Kit
5	02768	1	Repair Kit
	02769	1	Gasket/Diaphragm Kit
6	02768	1	Repair Kit
	02769	1	Gasket/Diaphragm Kit
7	02768	1	Repair Kit
8	02768	1	Repair Kit
9	02768	1	Repair Kit
10	02768	1	Repair Kit
11	02768	1	Repair Kit
12	02768	1	Repair Kit
13	02768	1	Repair Kit
14	02768	1	Repair Kit
15	02768	1	Repair Kit
16	02768	1	Repair Kit
17	02768	1	Repair Kit
18	02768	1	Repair Kit
19	02768	1	Repair Kit
20	02768	1	Repair Kit
21	02768	1	Repair Kit
22	02768	1	Repair Kit
23	02768	1	Repair Kit
24	02770	1	Oil Pump Body



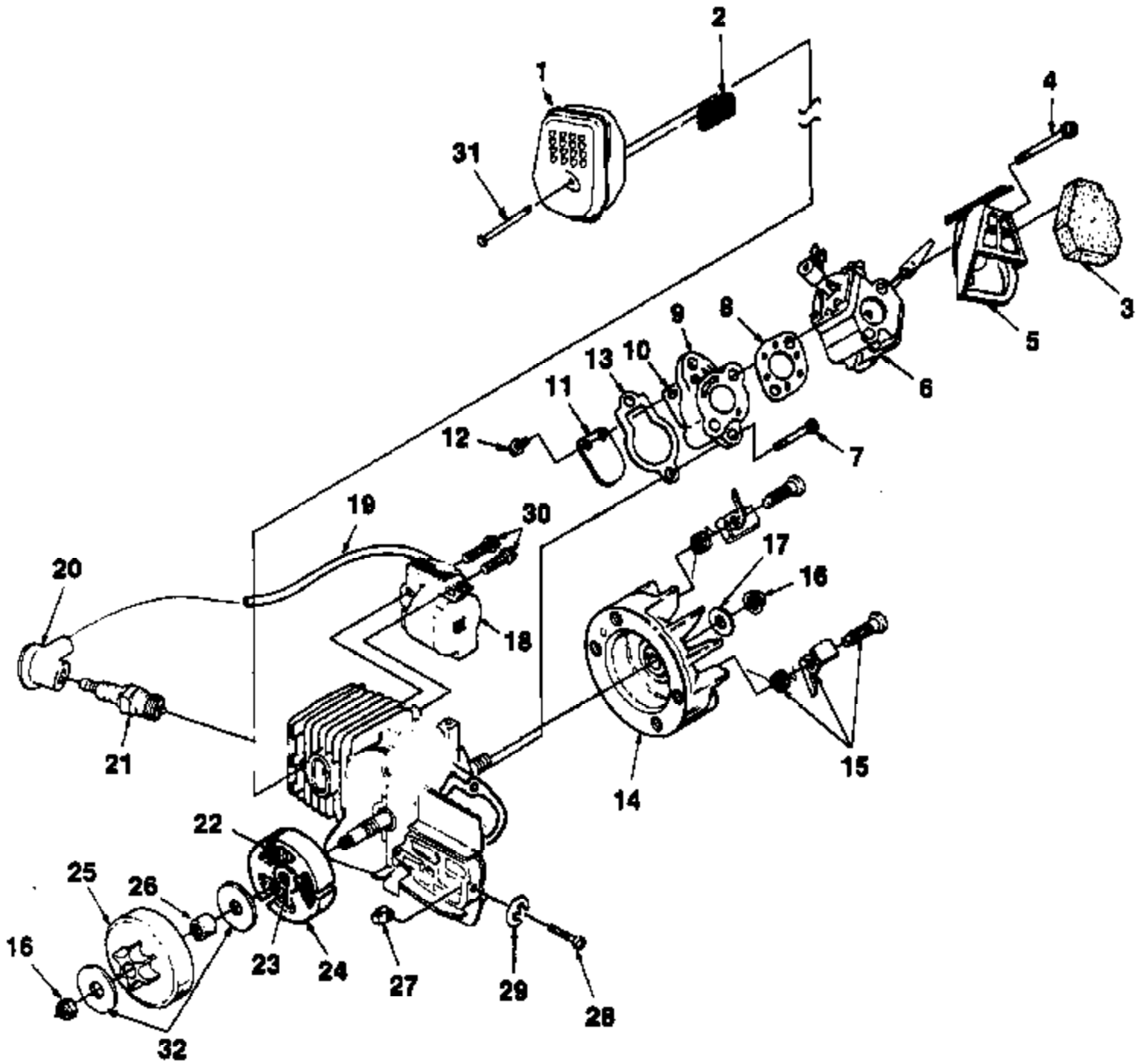
Ref #	Part Number	Qty	Description
1	88066	2	SCREW- Hex hd. w/washer (8-32 x 1/2")
2	02635	1	CLIP- Retaining
3	81124A	1	NUT- Hex
4	70636	1	POST- Chain brake
5	70637B	1	BAND- Brake
6	82579	1	SCREW- Torx (10-24 x 5/8")
7	A03061	1	HANDGUARD & LEVER
8	02661	1	DECAL (International Only)
9	82166	1	SCREW- (10-32 x 1/2")
10	JA461383	1	PIN- Roll (3/16 x 1")
11	95395A	1	PIN- Spring
12	70632	1	WASHER- Flat
13	82367	1	SCREW- Drive
14	02637	1	NUT- Weld
15	02661	1	DECAL- Handguard
16	JA461361	1	PIN- Roll (1/8 x 7/8") (International Only)
17	02462	1	WEIGHT (International Only)
18	A70767	1	PIVOT- Link



Ref #	Part Number	Qty	Description
1	024852	1	CYLINDER
2	02639	1	SHIELD- Sawdust
3	93932	1	SCREW- Tapping (36-32 x 5/16")
4	A98967A	1	PISTON & PIN ASSY.
5	93165	1	RING- Piston
6	65261	1	RING- Retaining
7	98096	1	RING- Retaining
8	94638	2	SEAL
9	69407	2	SPACER
10	12530	2	BEARING- Needle
11	02464	2	WASHER- Thrust
12	69250	1	KEY
13	A03060	1	CRANKCASE ASSY.
14	94619	1	FITTING
15	69195	1	BOLT- Guide bar, thd. forming
16	82567	4	SCREW- Torx pan hd. (10-24 x 1 1/8")
17	A03059	1	CRANKSHAFT ASSY.
18	02035	1	BEARING
19	70763	2	PIN- Roll (5/32 x 1 1/8")(Brake Mod. Only)
20	7030917	1	TUBING- Rubber (Oil line) (4 1/4")



Ref #	Part Number	Qty	Description
1	A03058	1	HOUSING- Engine
2	02640	1	TAPE
3	02490	1	DECAL
	03271	1	DECAL (International Only)
4	94065	4	SCREW- Pan, plastite (#10-16 x 3/4")
5	02495	1	COVER- Handle
6	82528	4	SCREW- Pan plastite (#6-3/8")
7	02501	1	ROD- Throttle
8	02481	1	COVER- Air filter
9	02492A	1	TRIGGER
10	02493	1	LOCK- Trigger
11	95212	1	STOP- Chain
12	82538	4	SCREW- Torx, taptite (#10-24 x 3/4")
13	02487	1	PRIMER BULB
14	0143912	1	TUBING- Inlet (3")
15	7031030	1	TUBING- Return (7")
16	69360A	1	PLATE- Guide bar
17	69309A	1	WASHER- Flat
18	810652	1	NUT- Hex
19	02765	1	SHIELD- Muffler
20	02496	1	HANDLE BAR
21	A02763	1	TANK- Oil
22	7031036	1	TUBING- (9")
23	7031019	1	TUBING (4 3/4")
24	A68593	1	FINDER- Oil
25	98819	1	VALVE- Check
26	01327	1	FITTING- Oil line
27	A97230A	1	CAP-Oil
28	94494	1	GASKET- Cap
29	A02764	1	TANK- Fuel
30	49422	1	FILTER- Fuel
31	7031022	1	LINE- Fuel (5 1/2")
32	98819	1	VALVE- Check
33	A97230A	1	CAP- Fuel
34	94494	1	GASKET- Cap
35	A02562B	1	STARTER HOUSING ASSY.
36	69443	1	FILTER
37	02264	1	GRIP- Starter
38	82563	6	SCREW- Torx, plastite (#10 x 3/4")
39	A97908	1	SPRING & CONTAINER
40	9789901	1	ROPE- Starter
41	97768A	1	PULLEY- Starter
42	94062	1	WASHER- Retaining
43	02497	1	SWITCH
44	A02482	1	LEAD- w/Flag Term.
45	A02484	1	LEAD- w/Ring Term.



Ref #	Part Number	Qty	Description
1	A02459	1	MUFFLER
2	02458	1	SCREEN- Spark arrestor
3	02500	1	FILTER- Air
4	82578	2	SCREW- Shoulder plastite (#10-24 x 1 3/4")
5	02491	1	BOX- Air filter
6	A02486	1	CARBURETOR & OIL PUMP ASSY.
7	82549	2	SCREW- Torx taptite, thd. forming (10-24 x 1")
8	02488	1	GASKET- Carburetor
9	A02499	1	HEAT DAM
10	95983	1	REED
11	03205	1	STOP- Reed
12	82498	2	SCREW- Hex Taptite (4-40 x 3/8")
13	02453	1	GASKET- Intake manifold
14	A95007	1	ROTOR & STARTER PAWL
15	A70285E	1	KIT- Starter pawl
16	81229	2	NUT- (5/16-24)
17	84065	1	WASHER- (5/16")
18	94711BS	1	MODULE
19	69326	1	LEAD- Hi-Tension
20	A33055	1	TERMINAL
21	96169S	1	SPARK PLUG (Champion DJ7Y)
	79252	1	SPARK PLUG (Champion RDJ7Y) (International Only)
22	98066	3	SPRING- Clutch
23	79221	1	SPIDER- Clutch
24	79222A	3	SHOE- Clutch
25	A95653C	1	SPROCKET & DRUM
26	70277	1	BEARING
27	692542	1	PIN- Adjusting
28	A00440	1	SCREW & E-RING KIT
29	93574	1	E-RING
30	82248	2	SCREW- Machine hex sems (#8-32 x 3/4")
31	93460	1	SCREW- Machine hex sems (10-24 x 1 7/8")
32	95299	2	WASHER- Thrust

**ACCESSORIES
ACCESSOIRES
ZUBEHÖR
ACCESSORIES
ACCESORIOS**

- KIT- Repair (sprocket nose bar)..... A-70239-Z**
Jeu de réparation (Lame à nez à pignon)
Reparaturset (Kettenrad-Nasen Spitze)
Kit per riparazioni (denta punta lama)
Juego de reparación (extremo barra rueda dentada)
- FUEL LINE (10 ft length) 70310-99**
Conduite de carburant (3 m de long)
Kraftstoffleitung (3 m Länge)
Condotto d'alimentazione (3 m di lunghezza)
Línea de combustible (10 pies de largo)
- OIL LINE- (10 ft length)..... 70308-99**
Conduite d'huile (3 m de long)
Ölleitung (3 m Länge)
Condotto dell'olio (3 m di lunghezza)
Línea de aceite (10 pies de largo)
- SAFE•T•TIP® (Standard)..... DA-70776-B**
SAFE•T•TIP® (Standard)
SAFE•T•TIP® (Standard)
SAFE•T•TIP® (Standard)
SAFE•T•TIP® (Standard)
- GREASE- Multi Purpose (Sprocket bearing-PT guide bar).....18453**
Grasse universelle (Pallier de pignon-PT - lame-guide)
Mehrzweck-Schmiermittel (Kettenradlager-PT-Führungsschiene)
Grasso, multiscopo Cuscinetto della ruota dentata - PT - barra di guida)
Grasa de uso general (Cojinetes de la rueda dentada - PT - barra guía)
- CARRYING CASE..... 94215-A**
Boîtier de transport
Tragekasten
Custodia
Maletín
- STARTING ROPE (250 ft. Reel)..... 96062-A**
Cordon de lanceur (75 m bobine)
Startersnell (76 m Spule)
Corda d'avviamento (bobina de 76 m)
Cuerda de arranque (carrete de 76 m)

**TOOLS
OUTILS
WERKZEUGE
ATTREZZI
HERRAMIENTAS**

- WRENCH (combination).....D-24814-A**
Clé combiné
Schraubenschlüssel Kombination
Chiave combinata
Llave combinada
- SILASTIC (crankcase sealing)..... 24823**
Silastic (étanchéité du carter)
Silastic (Kurbelgehäuse Dichtung)
Silastic (sigillo di tenuta del carter)
Silastic (sello del cárter)
- PULLER- Magneto Rotor..... A-24747-A**
Extracteur, rotor magnéto
Abziehwerkzeug-Magnetrotor
Rotore d'estrazione a magnete
Extractor-rotor de magneto
- IGNITION TEST SPARK PLUG JA-31316-4**
Testeur d'allumage
Testzündkerze für Zündprüfung
Candela di collaudo
Bujía para probar el encendido
- SHIM (0.015" AIR GAP).....22488**
Cale (écart de 0,38 mm)
Distanzscheibe (0,38 mm Luftspalt)
Spessore (spinterometro 0,38 mm)
Suplemento (espacio de 0,38 mm)
- T-25 TORX DRIVE BIT..... 24982-01**
Foret torx T-25
T-25 Torx-Antriebsbit
Punta Torx Drive T-25
Broca de empuje T-25 Torx
- T-27 TORX DRIVE BIT..... 18566-01**
Foret torx T-27
T-27 Torx-Antriebsbit
Punta Torx Drive T-27
Broca de empuje T-27 Torx

Ref #	Part Number	Qty	Description
A-70239-E	A70239E	1	KIT- Repair (sprocket nose bar)
7031099	7031099	1	FUEL LINE (10 ft. length)
7030999	7030999	1	OIL LINE- (10 ft. length)
DA-70776-B	DA70776B	1	SAFE-T-TIP (Standard)
18453	18453	1	GREASE- Multi Purpose (Sprocket bearing-PT guide bar)
94215-A	94215A	1	CARRYING CASE
98052-A	98052A	1	STARTING ROPE (250 ft. Reel)
D-24814-A	D24814A	1	WRENCH (combination)
24823	24823	1	SILASTIC (crankcase sealing)
A24747A	A24747A	1	PULLER- Magneto Rotor
JA313164	JA313164	1	IGNITION TEST SPARK PLUG
22486	22486	1	SHIM (0.015" AIR GAP)
2498201	2498201	1	T-25 TORX DRIVE BIT
18566-01	1856601	1	T-27 TORX DRIVE BIT