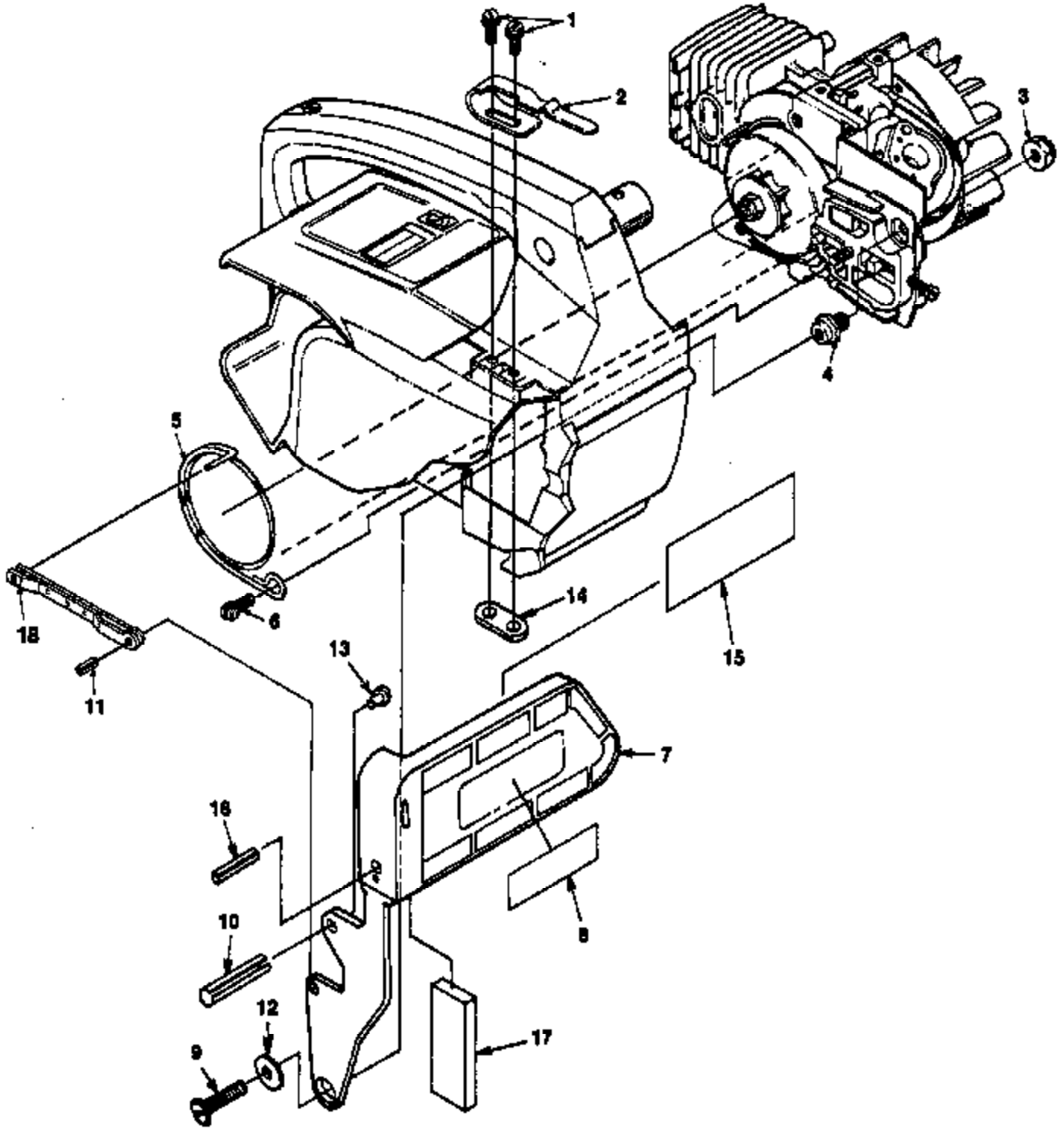
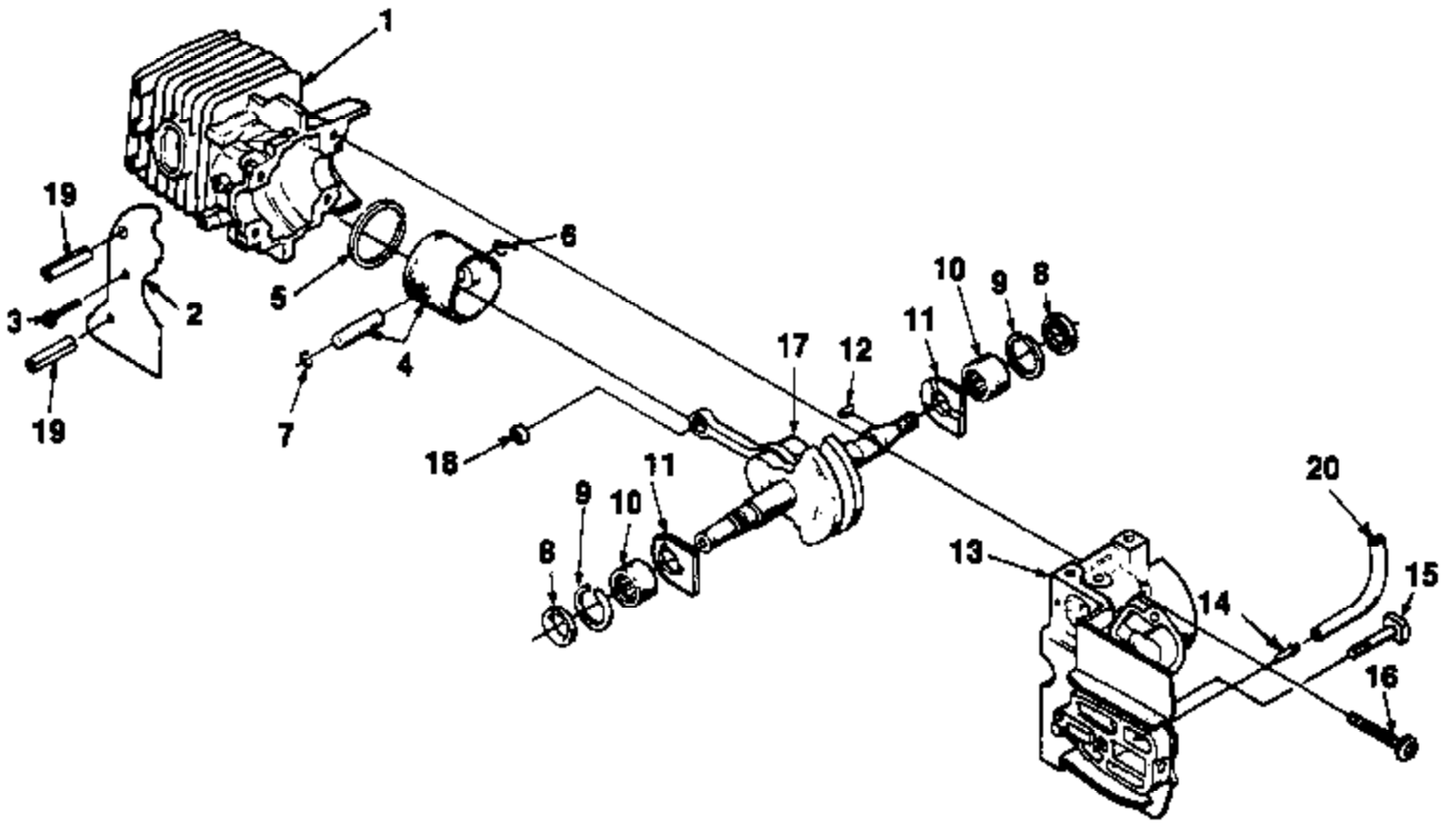


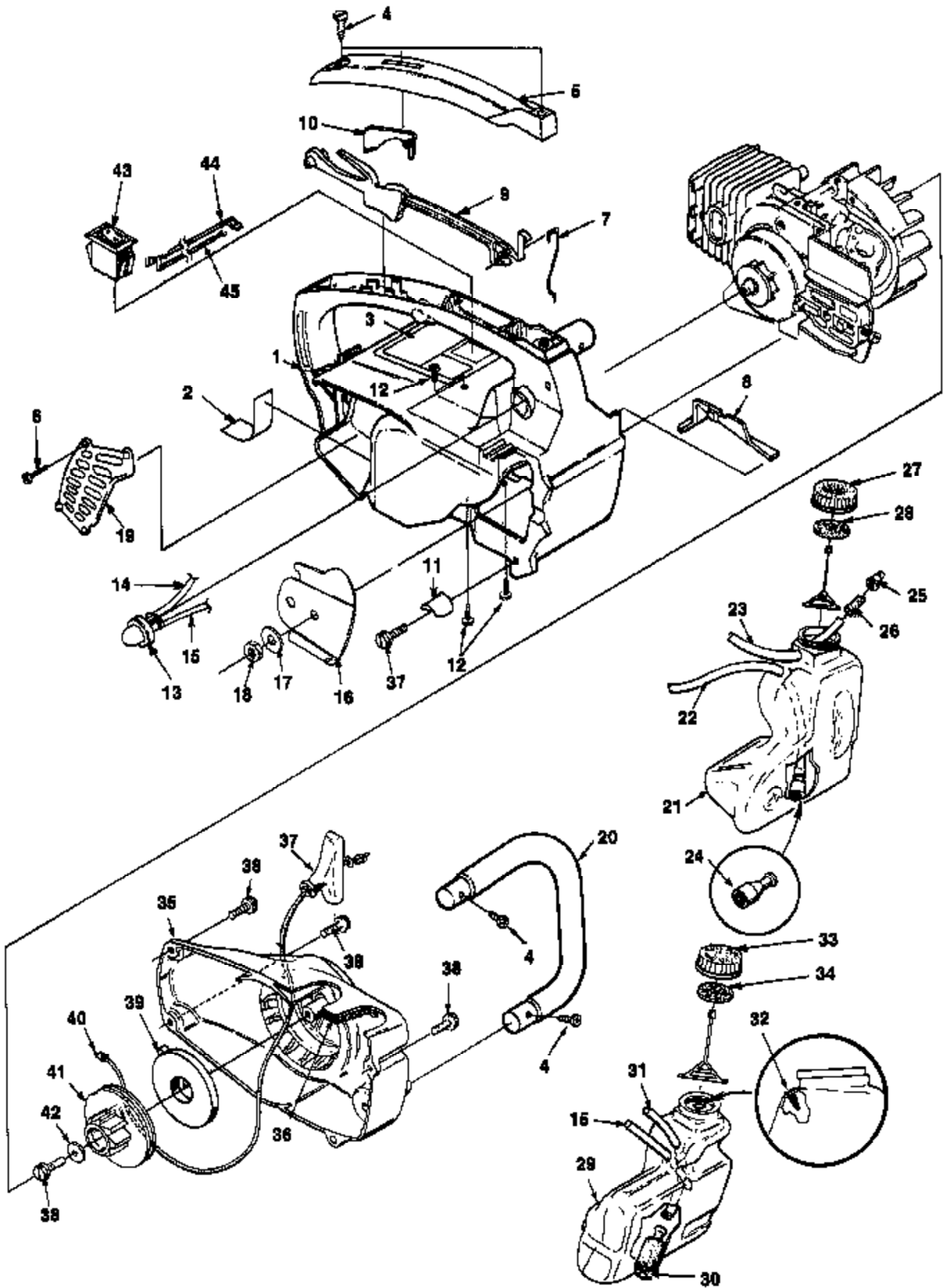
Ref #	Part Number	Qty	Description
1	02768	1	Repair Kit
	02773	1	Oil Pump Plunger Kit
2	02768	1	Repair Kit
	02773	1	Oil Pump Plunger Kit
3	02768	1	Repair Kit
	02769	1	Gasket/Diaphragm Kit
4	02768	1	Repair Kit
	02769	1	Gasket/Diaphragm Kit
5	02768	1	Repair Kit
	02769	1	Gasket/Diaphragm Kit
6	02768	1	Repair Kit
	02769	1	Gasket/Diaphragm Kit
7	02768	1	Repair Kit
8	02768	1	Repair Kit
9	02768	1	Repair Kit
10	02768	1	Repair Kit
11	02768	1	Repair Kit
12	02768	1	Repair Kit
13	02768	1	Repair Kit
14	02768	1	Repair Kit
15	02768	1	Repair Kit
16	02768	1	Repair Kit
17	02768	1	Repair Kit
18	02768	1	Repair Kit
19	02768	1	Repair Kit
20	02768	1	Repair Kit
21	02768	1	Repair Kit
22	02768	1	Repair Kit
23	02768	1	Repair Kit
24	02770	1	Oil Pump Body



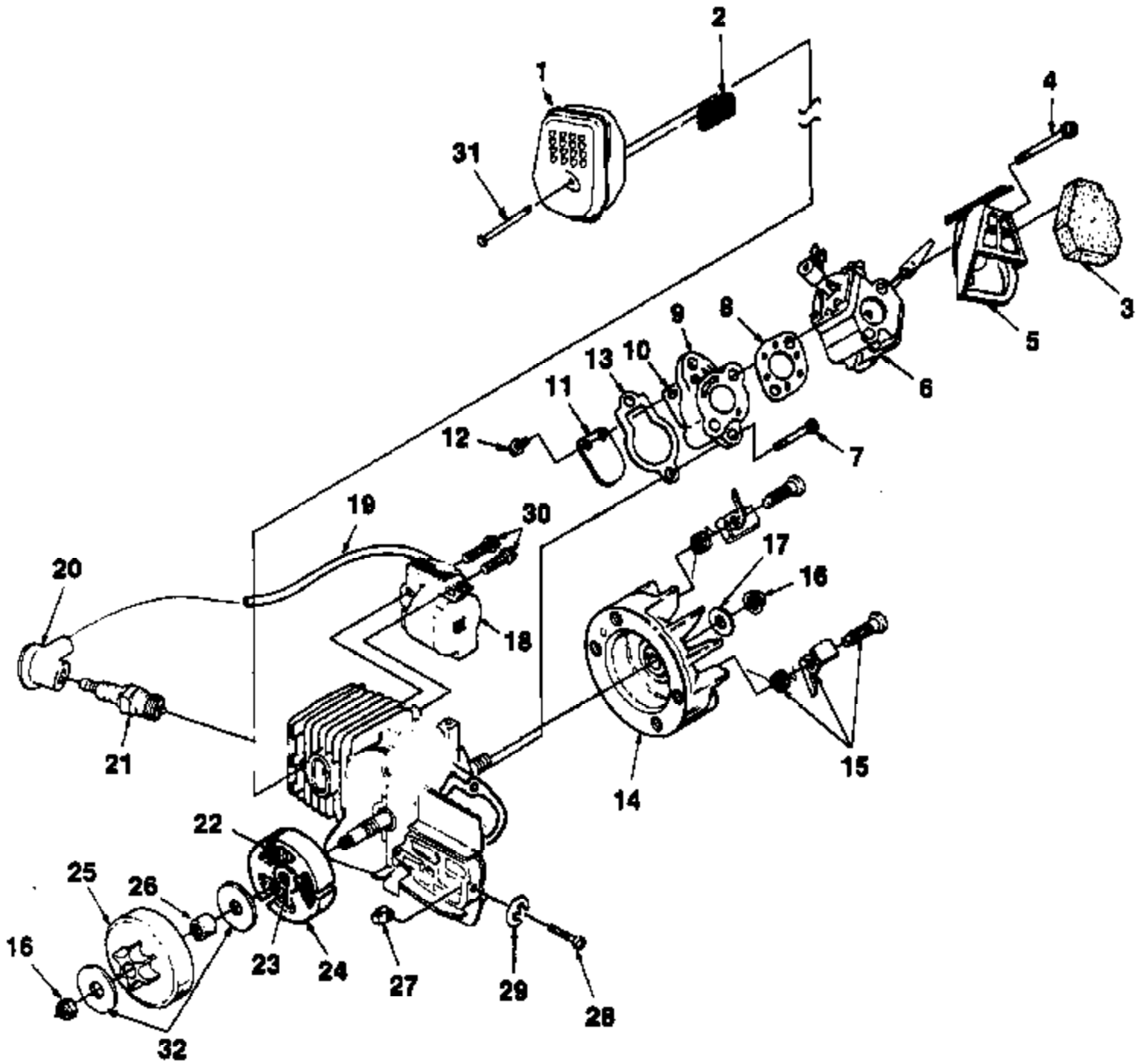
Ref #	Part Number	Qty	Description
1	88066	2	SCREW- Hex hd. w/washer (8-32 x 1/2")
2	02635	1	CLIP- Retaining
3	81124A	1	NUT- Hex
4	70636	1	POST- Chain brake
5	70637B	1	BAND- Brake
6	82579	1	SCREW- Torx (10-24 x 5/8")
7	A03061	1	HANDGUARD & LEVER
8	02661	1	DECAL (International Only)
9	82166	1	SCREW- (10-32 x 1/2")
10	JA461383	1	PIN- Roll (3/16 x 1")
11	95395A	1	PIN- Spring
12	70632	1	WASHER- Flat
13	82367	1	SCREW- Drive
14	02637	1	NUT- Weld
15	02661	1	DECAL- Handguard
16	JA461361	1	PIN- Roll (1/8 x 7/8") (International Only)
17	02462	1	WEIGHT (International Only)
18	A70767	1	PIVOT- Link



Ref #	Part Number	Qty	Description
1	024852	1	CYLINDER
2	02639	1	SHIELD- Sawdust
3	93932	1	SCREW- Tapping (36-32 x 5/16")
4	A98967A	1	PISTON & PIN ASSY.
5	93165	1	RING- Piston
6	65261	1	RING- Retaining
7	98096	1	RING- Retaining
8	94638	2	SEAL
9	69407	2	SPACER
10	12530	2	BEARING- Needle
11	02464	2	WASHER- Thrust
12	69250	1	KEY
13	A03060	1	CRANKCASE ASSY.
14	94619	1	FITTING
15	69195	1	BOLT- Guide bar, thd. forming
16	82567	4	SCREW- Torx pan hd. (10-24 x 1 1/8")
17	A03059	1	CRANKSHAFT ASSY.
18	02035	1	BEARING
19	70763	2	PIN- Roll (5/32 x 1 1/8")(Brake Mod. Only)
20	7030917	1	TUBING- Rubber (Oil line) (4 1/4")



Ref #	Part Number	Qty	Description
1	A03058	1	HOUSING- Engine
2	02640	1	TAPE
3	02490	1	DECAL
	03271	1	DECAL (International Only)
4	94065	4	SCREW- Pan, plastite (#10-16 x 3/4")
5	02495	1	COVER- Handle
6	82528	4	SCREW- Pan plastite (#6-3/8")
7	02501	1	ROD- Throttle
8	02481	1	COVER- Air filter
9	02492A	1	TRIGGER
10	02493	1	LOCK- Trigger
11	95212	1	STOP- Chain
12	82538	4	SCREW- Torx, taptite (#10-24 x 3/4")
13	02487	1	PRIMER BULB
14	0143912	1	TUBING- Inlet (3")
15	7031030	1	TUBING- Return (7")
16	69360A	1	PLATE- Guide bar
17	69309A	1	WASHER- Flat
18	810652	1	NUT- Hex
19	02765	1	SHIELD- Muffler
20	02496	1	HANDLE BAR
21	A02763	1	TANK- Oil
22	7031036	1	TUBING- (9")
23	7031019	1	TUBING (4 3/4")
24	A68593	1	FINDER- Oil
25	98819	1	VALVE- Check
26	01327	1	FITTING- Oil line
27	A97230A	1	CAP-Oil
28	94494	1	GASKET- Cap
29	A02764	1	TANK- Fuel
30	49422	1	FILTER- Fuel
31	7031022	1	LINE- Fuel (5 1/2")
32	98819	1	VALVE- Check
33	A97230A	1	CAP- Fuel
34	94494	1	GASKET- Cap
35	A02562B	1	STARTER HOUSING ASSY.
36	69443	1	FILTER
37	02264	1	GRIP- Starter
38	82563	6	SCREW- Torx, plastite (#10 x 3/4")
39	A97908	1	SPRING & CONTAINER
40	9789901	1	ROPE- Starter
41	97768A	1	PULLEY- Starter
42	94062	1	WASHER- Retaining
43	02497	1	SWITCH
44	A02482	1	LEAD- w/Flag Term.
45	A02484	1	LEAD- w/Ring Term.



Ref #	Part Number	Qty	Description
1	A02459	1	MUFFLER
2	02458	1	SCREEN- Spark arrestor
3	02500	1	FILTER- Air
4	82578	2	SCREW- Shoulder plastite (#10-24 x 1 3/4")
5	02491	1	BOX- Air filter
6	A02486	1	CARBURETOR & OIL PUMP ASSY.
7	82549	2	SCREW- Torx taptite, thd. forming (10-24 x 1")
8	02488	1	GASKET- Carburetor
9	A02499	1	HEAT DAM
10	95983	1	REED
11	03205	1	STOP- Reed
12	82498	2	SCREW- Hex Taptite (4-40 x 3/8")
13	02453	1	GASKET- Intake manifold
14	A95007	1	ROTOR & STARTER PAWL
15	A70285E	1	KIT- Starter pawl
16	81229	2	NUT- (5/16-24)
17	84065	1	WASHER- (5/16")
18	94711BS	1	MODULE
19	69326	1	LEAD- Hi-Tension
20	A33055	1	TERMINAL
21	96169S	1	SPARK PLUG (Champion DJ7Y)
	79252	1	SPARK PLUG (Champion RDJ7Y) (International Only)
22	98066	3	SPRING- Clutch
23	79221	1	SPIDER- Clutch
24	79222A	3	SHOE- Clutch
25	A95653C	1	SPROCKET & DRUM
26	70277	1	BEARING
27	692542	1	PIN- Adjusting
28	A00440	1	SCREW & E-RING KIT
29	93574	1	E-RING
30	82248	2	SCREW- Machine hex sems (#8-32 x 3/4")
31	93460	1	SCREW- Machine hex sems (10-24 x 1 7/8")
32	95299	2	WASHER- Thrust

**ACCESSORIES
ACCESSOIRES
TUBEHÖR
ACCESSORIES
ACCESORIOS**

KIT- Repair (sprocket nose bar)..... A-70239-Z
Jeu de réparation (Lame à nez à pignon)
Reparatursetz (Kettenrad-Nasen Spitze)
Kit per riparazioni (denta punta lama)
Juego de reparación (extremo barra rueda dentada)

FUEL LINE (10 ft length) 70310-99
Conduite de carburant (3 m de long)
Kraftstoffleitung (3 m Länge)
Condotto d'alimentazione (3 m di lunghezza)
Línea de combustible (10 pies de largo)

OIL LINE- (10 ft length)..... 70308-99
Conduite d'huile (3 m de long)
Ölleitung (3 m Länge)
Condotto dell'olio (3 m di lunghezza)
Línea de aceite (10 pies de largo)

SAFE•T•TIP® (Standard)..... DA-70776-B
SAFE•T•TIP® (Standard)
SAFE•T•TIP® (Standard)
SAFE•T•TIP® (Standard)
SAFE•T•TIP® (Standard)

GREASE- Multi Purpose (Sprocket bearing-PT guide bar).....18453
Grasse universelle (Pallier de pignon-PT - lame-guide)
Mehrzweck-Schmiermittel (Kettenradlager-PT-Führungsschiene)
Grasso, multiscopo Cuscinetto della ruota dentata - PT - barra di guida)
Grasa de uso general (Cojinetes de la rueda dentada - PT - barra guía)

CARRYING CASE..... 94215-A
Boîtier de transport
Tragekasten
Custodia
Maletín

STARTING ROPE (250 ft. Reel)..... 96062-A
Cordon de lanceur (75 m bobine)
Startersnelli (75 m Spule)
Corda d'avviamento (bobina de 75 m)
Cuerda de arranque (carrete de 75 m)

**TOOLS
OUTILS
WERKZEUGE
ATTREZZI
HERRAMIENTAS**

WRENCH (combination).....D-24814-A
Clé combiné
Schraubenschlüssel Kombination
Chiave combinata
Llave combinada

SILASTIC (crankcase sealing)..... 24823
Silastic (étanchéité du carter)
Silastic (Kurbelgehäuse Dichtung)
Silastic (sigillo di tenuta del carter)
Silastic (sello del cárter)

PULLER- Magneto Rotor..... A-24747-A
Extracteur, rotor magnéto
Abziehwerkzeug-Magnetrotor
Rotore d'estrazione a magnete
Extractor-rotor de magneto

IGNITION TEST SPARK PLUG JA-31316-4
Testeur d'allumage
Testzündkerze für Zündprüfung
Candela di collaudo
Bujía para probar el encendido

SHIM (0.015" AIR GAP).....22488
Cale (écart de 0,38 mm)
Distanzscheibe (0,38 mm Luftspalt)
Spessore (spinterometro 0,38 mm)
Suplemento (espacio de 0,38 mm)

T-25 TORX DRIVE BIT..... 24982-01
Foret torx T-25
T-25 Torx-Antriebsbit
Punta Torx Drive T-25
Broca de empuje T-25 Torx

T-27 TORX DRIVE BIT..... 18566-01
Foret torx T-27
T-27 Torx-Antriebsbit
Punta Torx Drive T-27
Broca de empuje T-27 Torx

Ref #	Part Number	Qty	Description
A-70239-E	A70239E	1	KIT- Repair (sprocket nose bar)
7031099	7031099	1	FUEL LINE (10 ft. length)
7030999	7030999	1	OIL LINE- (10 ft. length)
DA-70776-B	DA70776B	1	SAFE-T-TIP (Standard)
18453	18453	1	GREASE- Multi Purpose (Sprocket bearing-PT guide bar)
94215-A	94215A	1	CARRYING CASE
98052-A	98052A	1	STARTING ROPE (250 ft. Reel)
D-24814-A	D24814A	1	WRENCH (combination)
24823	24823	1	SILASTIC (crankcase sealing)
A24747A	A24747A	1	PULLER- Magneto Rotor
JA313164	JA313164	1	IGNITION TEST SPARK PLUG
22486	22486	1	SHIM (0.015" AIR GAP)
2498201	2498201	1	T-25 TORX DRIVE BIT
18566-01	1856601	1	T-27 TORX DRIVE BIT