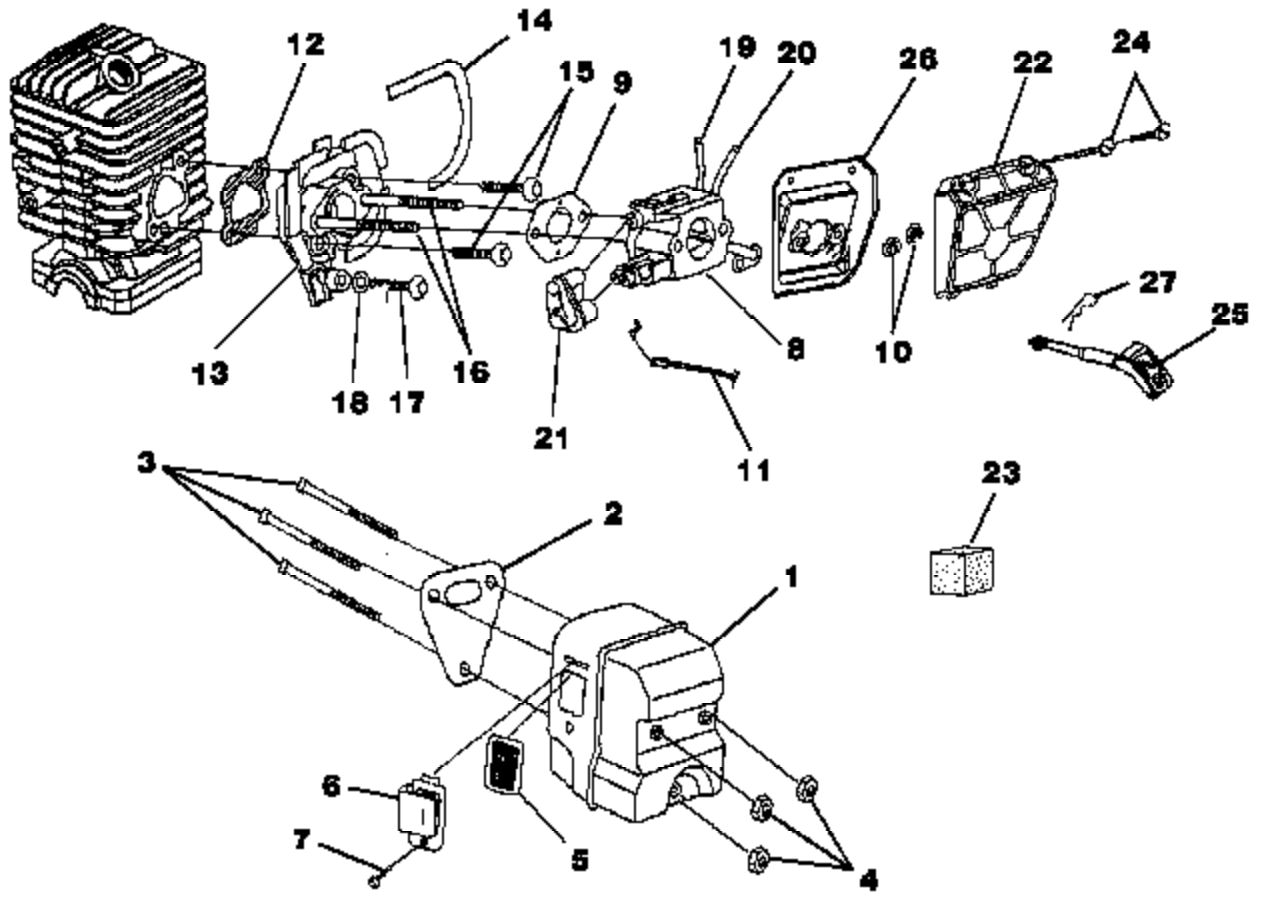


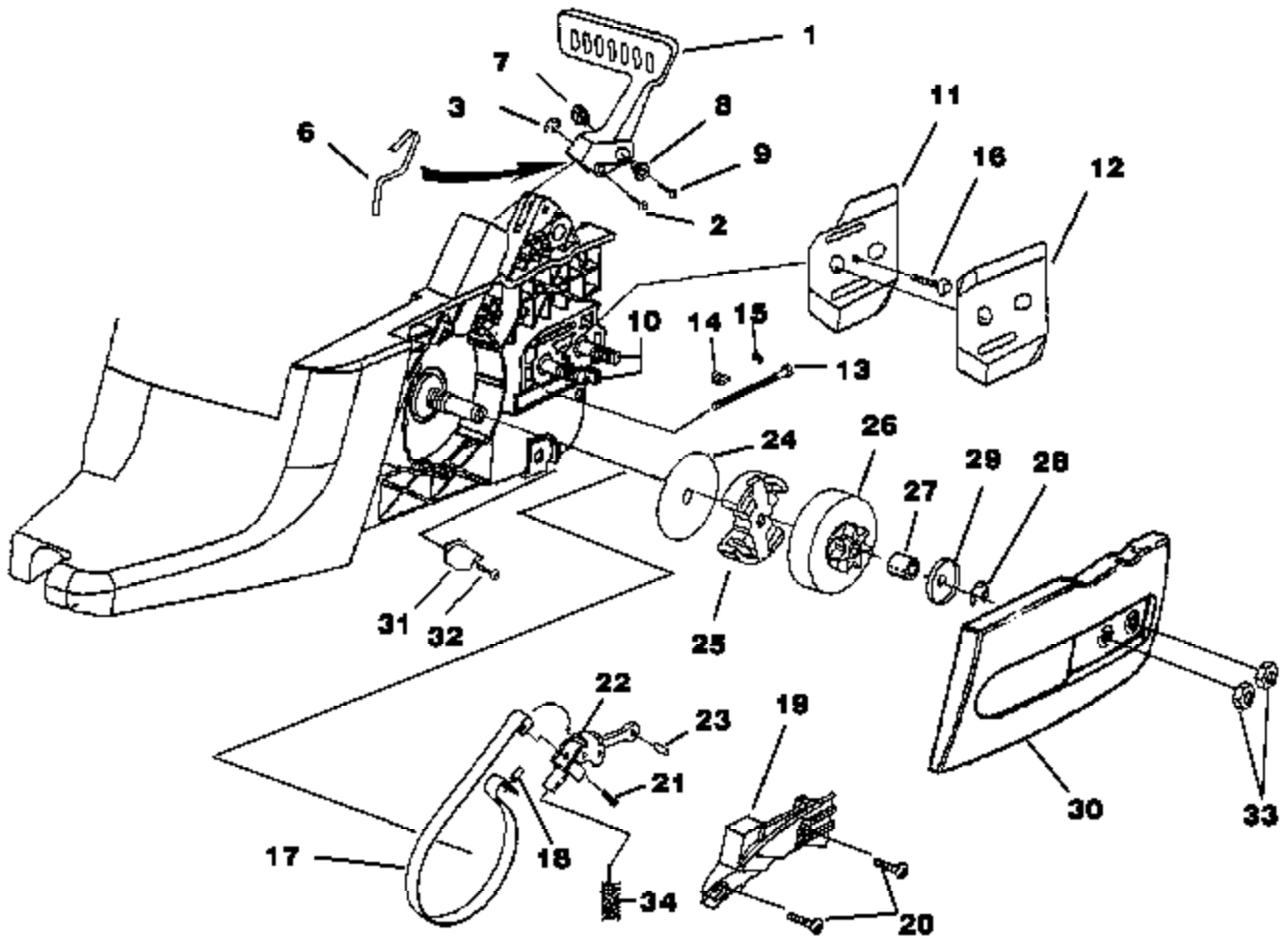
No
Diagram
Available

Parts List
Only

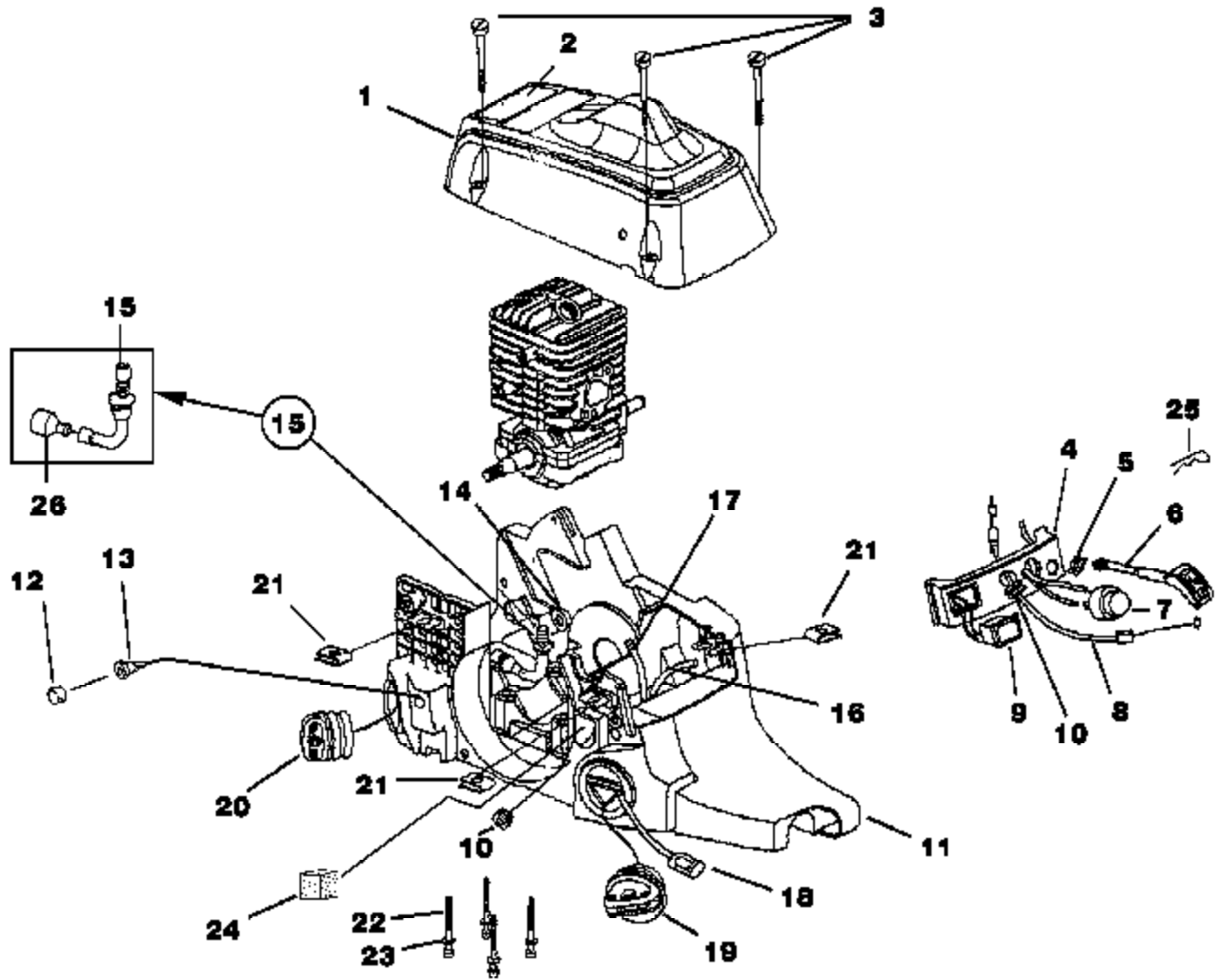
Ref #	Part Number	Qty	Description
	PT12371MD		Guide Bar (Power Tip) 12" (3/8" pitch)
	H1N7245AH		Chain (3/8" pitch)
	PT14371MD		Guide Bar (Power Tip) 14" (3/8" pitch)
	H1N7252AH		Chain (3/8" pitch)
	PT16371MD		Guide Bar (Power Tip) 16" (3/8" pitch)
	H1N7256AH		Chain (3/8" pitch)
	PT18371MD		Guide Bar (Power Tip) 18" (3/8" pitch)
	H1N7262AH		Chain (3/8" pitch)
	PL13321MA		Guide Bar (Power Tip) 13" (.325 pitch)
	D1L7256AH		Chain or D1L7356AH (.325 pitch)
	PL15321MA		Guide Bar (Power Tip) 15" (.325 pitch)
	D1L7264AH		Chain (.325 pitch) Or
	D1L7364AH		Chain (.325 pitch)
	PT16321MA		Guide Bar (Power Tip) 16" (.325 pitch)
	D1L7266AH		Chain (.325 pitch) Or
	D1L7366AH		Chain (.325 pitch)
	PT18321MA		Guide Bar (Power Tip) 18" (.325 pitch)
	D1L7272AH		Chain (.325 pitch) Or
	D1L7372AH		Chain (.325 pitch)
	PT20321MA		Guide Bar (Power Tip) 20" (.325 pitch)
	D1L7278AH		Chain (.325 pitch) Or
	D1L7378AH		Chain (.325 pitch)
	PS24823		Sealant Silicon
	UP06561		Rubber tubing (10')
	09207		Wrench - Combination
	18416		Digital Tachometer
	18453		Grease, Multi-purpose
	94194		Compression Tester
	UP07160		Bit, Torx T27
	UP04562		Carry Case
	UP06732		Bumper Spike Kit



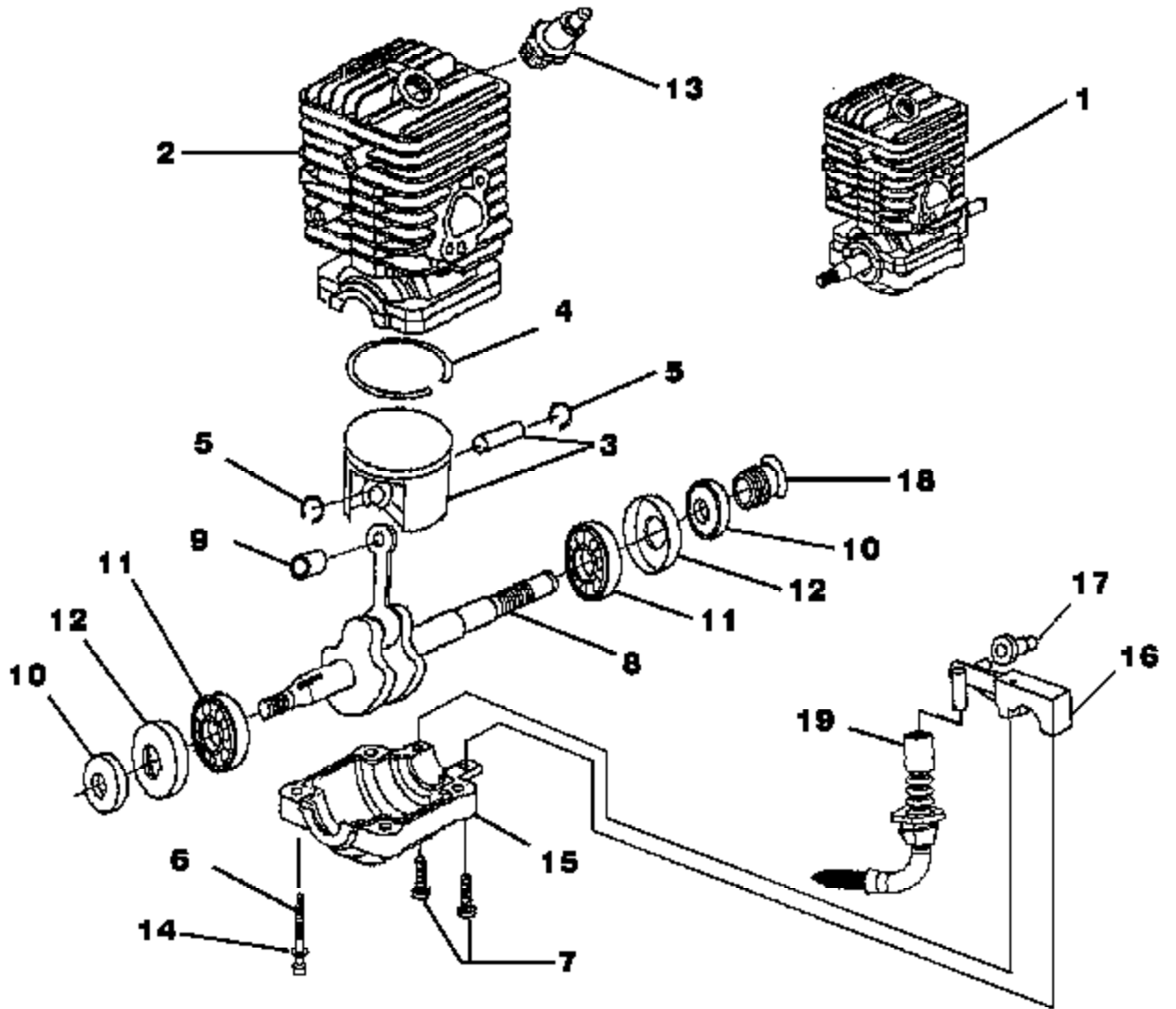
Ref #	Part Number	Qty	Description
1	UP06752	1	Muffler Kit (33/38cc); Includes items 2-7
	UP00126	1	Muffler Kit (45cc)
2	UP04183	1	Muffler Gasket
3	UP04049	3	Screw-Square Hd.
4	UP04059	3	Nut-Locking Hex (10-32) Torque Specs 50-60 In/Lbs; 5.6-6.7 Nm
5	UP04203	1	Screen, Spark
6	UP04204	1	Deflector, Muffler (33/38cc)
	UP04069	1	Deflector, Muffler (45cc)
7	UP04244	1	Screw
8	UP06737	1	Carburetor Assy (33 & 38cc); Includes items 9-10
	UP00125	1	Carburetor Assy (45cc)
	A09160	1	Carburetor Assy (Int'l 33cc, Int'l 38cc)
	UP00499	1	Carburetor Assy (Int'l 41cc, Int'l 45cc)
9	UP04094	1	Carburetor Gasket
10	UP04217	2	Flange Nut (10-24) Torque Specs 30-40 In/Lbs; 3.4-4.5 Nm
11	UP04218	1	Throttle Cable
12	UP04184	1	Gasket, Heat Dam
13	UP04173	1	Heat Dam
14	UP04191	1	Seal, Heat Dam
15	UP04084	2	Screw, Truss Hd. Taptite (10-24 x 7/8") Torque Specs 45-55 In/Lbs; 5.0-6.2 Nm
16	UP04189	2	Screw, Carburetor
17	UP03897	1	Screw, Thread Form (10-14 x 1/2") Torque Specs 30-40 In/Lbs; 3.4-4.5 Nm
18	UP03867	1	Washer, Retaining
19	UP04211	1	Fuel Line (Tank to Carburetor 8 1/2")
20	UP04209	1	Fuel Line (Carburetor to Purge Bulb 4")
21	UP04171	1	Carburetor Grommet
	UP06753	1	Air Filter Kit Includes items 22-24
22	UP04533	1	Air Filter Cover
23	UP04208	1	Pre Filter (In engine housing)
24	UP04235	2	Screw-Slotted Pan Hd. (8-16 x 5/8") Torque Specs 15-20 In/Lbs; 1.7-2.3 Nm
25	UP04213	1	Rod, Choke
26	UP04178	1	Air Filter Plate
27	UP04227	1	Spring Clip (Choke Rod)



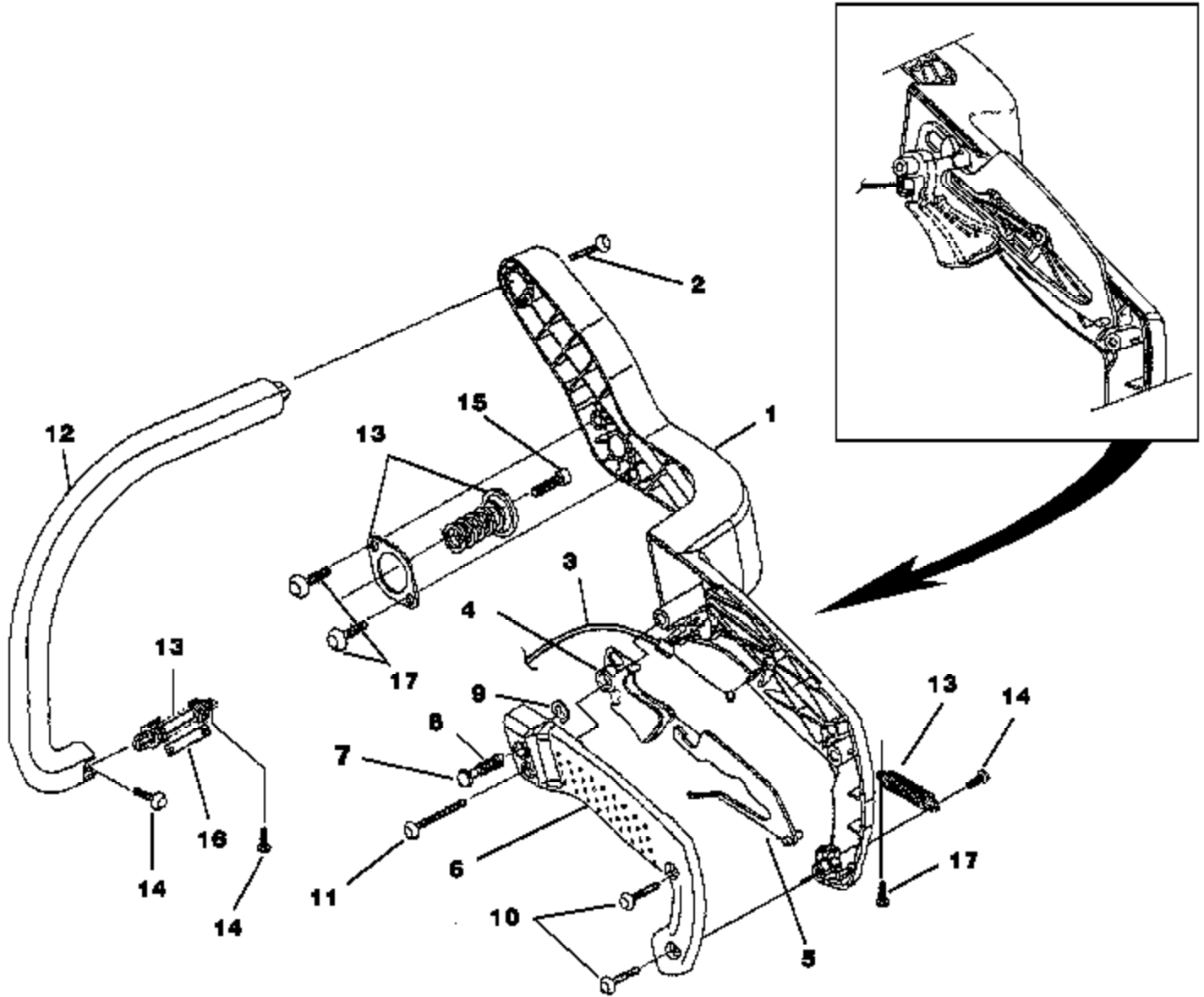
Ref #	Part Number	Qty	Description
1	UP06568	1	Hand Guard Kit Includes items 2-5
2	UP04214	1	Hand Guard Actuating Pin
3	UP04056	1	Retaining Ring
4	UP04207	1	Hand Guard Link (Non-chain brake units-not shown)
5	UP04090	1	Roll Pin (Non-chain brake units-not shown)
6	UP04224	1	Spring, Handguard
7	UP04202	1	Pivot, L.H.
8	UP04201	1	Pivot, R.H.
9	UP04240	1	Screw, Hex Socket Hd. (8-32 x 5/8") Torque Specs 25-35 In/Lbs; 2.8-3.9 Nm
10	UP04180	2	Guide Bar Bolt
	UP06966	1	Guide Bar Adjusting Kit Includes items 11-15
11	UP04206	1	Plate, Guide Bar
12	UP04085	1	Plate, Guide Bar
13	UP04187	1	Screw, Guide Bar Adjusting
14	UP04186	1	Pin, Guide Bar Adjusting
15	UP04056	1	Ring, Retaining
16	UP04082	1	Screw, Thread Form (6-19 x 1/2") Torque Specs 8-18 In/Lbs; .9-2.0 Nm
17	A08680A	1	Chain Brake Kit Includes items 18-21
18	UP04181	1	Pin, Roll
19	UP04309	1	Cover, Chain Brake
20	UP04082	2	Screw, Pan Hd. (6-19 x 1/2") Torque Specs 10-20 In/Lbs; 1.1-2.3 Nm
21	UP04239	1	Screw, Pan Hd. (8-16 x .320) Torque Specs 20-30 In/Lbs; 2.3-3.4 Nm
22	UP04223	1	Chain Brake Link
23	UP04090	1	Pin, Roll
24	UP04182	1	Thrust Washer
25	UP06727	1	Clutch & Hardware Torque Specs 130-180 In/Lbs; 14.7-20.3 Nm
26	UP06967	1	Sprocket, Drum (3/8 Pitch) Includes items 27-28
	UP04560	1	Sprocket, Drum (.325 Pitch) (i3850b & 45cc only)
27	UP04175	1	Bearing, Needle
28	UP04228	1	Ring, Retaining
29	UP04179	1	Washer, Cupped
30	UP06975	1	Drive Case Cover Includes items 31-32
31	UP04088	1	Stop, Chain
32	UP03900	1	Screw, Thread Form (10-14 x 3/4") Torque Specs 30-50 In/Lbs; 3.4-5.6 Nm
33	UP04058	2	Nut, Hex Torque Specs Hand Tight
34	UP04032	1	Spring, Compression



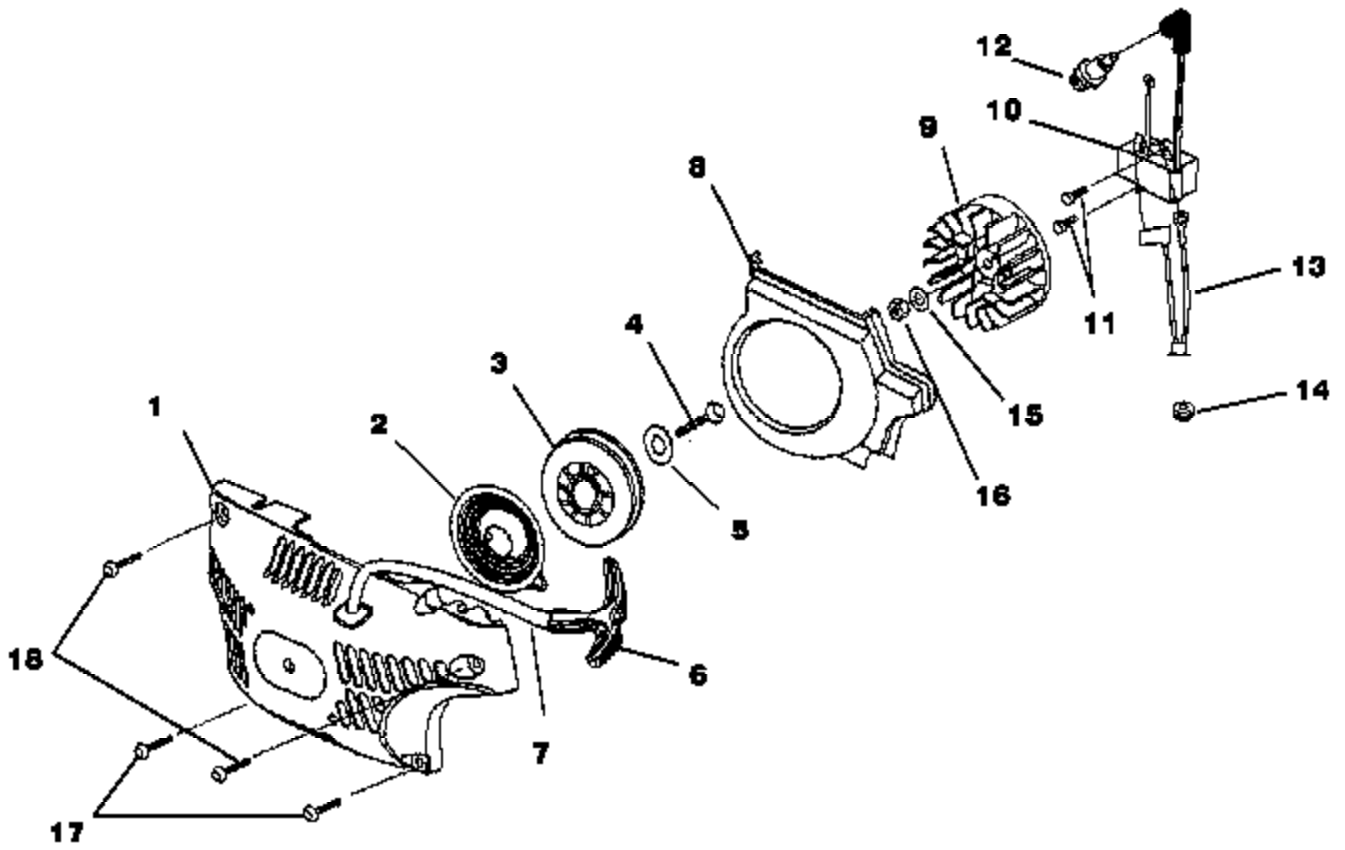
Ref #	Part Number	Qty	Description
1	A08692	1	Cylinder Cover Kit Includes items 2-3
2	UP04212	1	Safety Decal
3	UP04219	3	Screw-Slotted Pan Hd. Torque Specs 15-25 In/Lbs; 1.7-2.8 Nm
4	UP04193	1	Control Panel
5	UP04052	1	Grommet
6	UP04213	1	Rod, Choke
7	UP04033	1	Bulb, Air Purge
8	UP04218	1	Throttle Cable
9	UP04197	1	Switch, Rocker
10	UP04215	2	Grommet - Split
11	UP06754	1	Engine Housing Includes items 12-20
12	UP04205	2	Element, Filter (Bronze)
13	UP04045	2	Duck Bill Valve
14	UP04185	1	Oil Outlet Grommet
15	UP04048	1	Oil Intake Tube
16	UP04210	1	Rubber Tubing (5 1/2")
17	UP04211	1	Rubber Tubing (8 1/2")
18	UP03871	1	Fuel Filter
19	DA07590	1	Fuel Cap w/ Retainer
20	DA07591	1	Oil Cap w/ Retainer
	UP04054	1	Oil Filter (Not Shown)
	UP04180	2	Guide Bar Bolt (Not Shown)
21	UP04221	3	Speed Nut ("U-Type")
22	UP04083	4	Screw, Cap-Socket Hd. (10-24 x 2") Torque Specs 65-76 In/Lbs; 7.3-8.5 Nm
23	UP04087	4	Washer
24	UP04208	1	Pre Filter
25	UP04227	1	Spring Clip (Choke Rod)
26	UP04054	1	Oil Filter



Ref #	Part Number	Qty	Description
1	UP03119	1	Short Block Complete (33cc); Includes items 2-12
	UP04161	1	Short Block Complete (38cc)
	UP04166	1	Short Block Complete (45cc)
2	A08666	1	Cylinder Kit (33cc)
	A08667	1	Cylinder Kit (38cc)
	UP00129	1	Cylinder Kit (45cc)
	UP04183	1	Gasket, Muffler (Not Shown)
	UP04184	1	Gasket, Heat Dam (Not Shown)
	UP04094	1	Gasket, Carburetor (Not Shown)
3	UP06971	1	Piston & Pin (33cc); Includes items 4-5
4	UP04177	1	Piston Ring (33cc)
5	UP04051	2	Ring, Retaining
3	A08669	1	Piston & Pin (38cc); Includes items 4-5
4	UP04190	1	Piston Ring (38cc)
5	UP04051	2	Ring, Retaining
3	UP00130	1	Piston & Pin (45cc); Includes items 4-5
4	UP04231	1	Piston Ring (45cc)
5	UP04051	2	Ring, Retaining
6	UP04083	4	Screw, Cap-Socket Hd. (10-24 x 2") Torque Specs 65-75 In/Lbs; 7.3-8.5 Nm; Required Loctite 262 Red
7	UP03898	2	Screw, Pan Hd., Plastite (8-16 x 5/8") Torque Specs 15-20 In/Lbs; 1.7-2.3 Nm
8	UP03118	1	Crankshaft & Rod Assy (33 & 38cc); Includes items 9-12
	UP04165	1	Crankshaft & Rod Assy (45cc)
9	UP04174	1	Bearing, Needle Includes items 10-12
10	UP04047	2	Shaft Seal
11	UP04176	2	Bearing & Rubber Case Includes item 12
12	UP04046	2	Rubber Case
13	UP04093	1	Spark Plug Torque Specs 120-180 In/Lbs; 13.6-20.3 Nm
14	UP04087	4	Washer
15	UP04172	1	Lower Crankcase (33 & 38cc)
	UP04232	1	Lower Crankcase (45cc)
16	UP06602	1	Oil Pump Kit Includes items 17-19
17	UP04185	1	Grommet, Oil Outlet
18	UP04188	1	Left Hand Worm
19	UP04048	1	Oil Intake Tube w/Filter



Ref #	Part Number	Qty	Description
1	A08675	1	Rear Handle Kit Includes items 2-11
2	UP04234	1	Screw-Pan Hd. (12-14 x 1 1/2") Torque Specs 40-50 In/Lbs; 4.5-5.6 Nm
3	UP04218	1	Throttle Cable
4	UP04195	1	Trigger, Throttle
5	UP04196	1	Throttle Lock Out
6	A08683	1	Handle Cover Kit Includes items 7-10
7	UP04199	1	Throttle Lock Pin
8	UP04226	1	Spring, Compression
9	UP04050	1	Ring, Retainer
10	UP03900	2	Screw, Thread Form (10-14 x 3/4") Torque Specs 30-40 In/Lbs; 3.4-4.5 Nm
11	UP04238	1	Screw, Thread Form (10-14 x 1 3/8") Torque Specs 30-40 In/Lbs; 3.4-4.5 Nm
12	UP06973	1	Front Handle Kit
	UP04234	1	Screw-Pan Hd. (12-14 x 1 1/2") (See No. 2 above)
13	A08677	1	Isolator Kit Includes 14-16
14	UP04237	3	Screw, Truss Hd. (10-14 x 5/8") Torque Specs 30-40 In/Lbs; 3.4-4.5 Nm
15	UP04233	1	Screw, Truss Hd. (10-24 x 5/8") Torque Specs 40-50 In/Lbs; 4.5-5.6 Nm
16	UP04200	1	Limitier, Isolator
17	UP03897	3	Screw, Thread Form (10-14 x 1/2") Torque Specs 30-40 In/Lbs; 3.4-4.5 Nm



Ref #	Part Number	Qty	Description
1	UP06749	1	Starter Kit Includes items 2-7
2	UP04092	1	Spring & Container
3	UP05460	1	Pulley, Starter
4	UP04237	1	Screw, Thread Form (10-14 x 5/8") Torque Specs 30-40 In/Lbs; 3.4-4.5 Nm
5	UP04089	1	Washer, Retaining
6	UP04216	1	Grip, Starter
7	UP03911	1	Rope, Starter 46"
8	UP04192	1	Baffle, Fan Housing
9	UP05850	1	Rotor & Starter Pawl
10	A08676A	1	Ignition Kit (33cc models); Includes item 11
	UP05851	1	Ignition Kit Both kits include:
11	UP04086	2	Screw, Thread Form (8-32 x 5/8") Torque Specs 30-40 In/Lbs; 3.4-4.5 Nm
12	UP05875	1	Spark Plug Torque Specs 120-180 In/Lbs; 13.6-20.3 Nm
13	UP04222	1	Ignition Switch Harness
14	UP04215	1	Grommet, Wire Harness (Split)
15	UP04241	1	Washer, Flat
16	UP04081	1	Nut, Jam Torque Specs 100-150 In/Lbs; 11.3-16.9 Nm
17	UP04236	2	Screw, Truss Hd. (10-14 x 7/8") Torque Specs 30-40 In/Lbs; 3.4-4.5 Nm
18	UP04237	2	Screw, Truss Hd. (10-14 x 5/8") Torque Specs 30-40 In/Lbs; 3.4-4.5 Nm