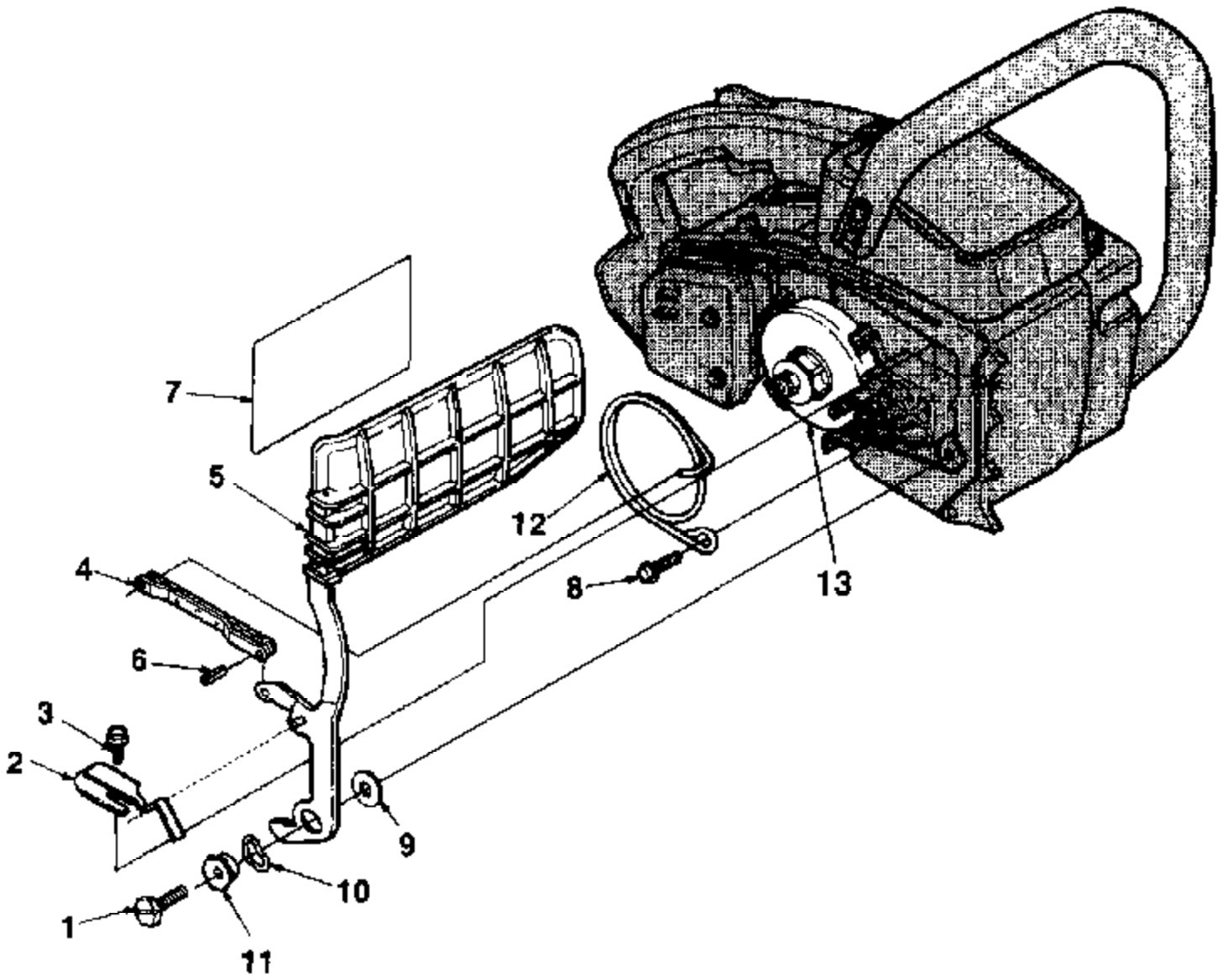
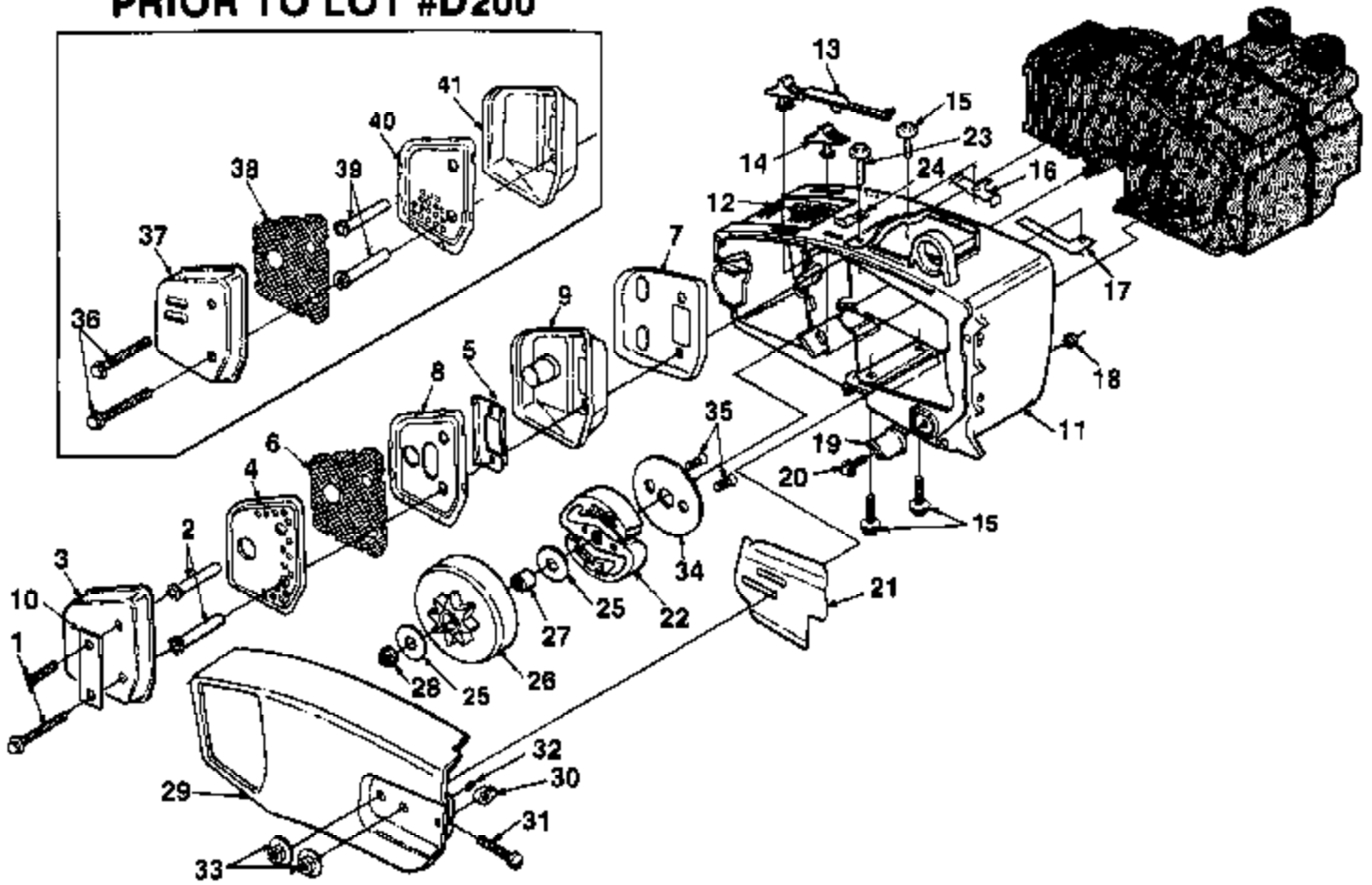


Ref #	Part Number	Qty	Description
1	95036	1	ROD- Throttle
2	95222	1	SPRING- Torsion
3	95032	1	TRIGGER- Throttle
4	95038	1	INTERLOCK- Trigger
5	70771	5	SCREW #10 x 3/4
6	95211	1	COVER- Handle
7	95089	1	COVER- Air filter (240SL)
8	95217	1	SCREW- Retaining
9	A93573A	1	GUARD- Hard (w/cover) 240 HG
	95217	1	SCREW- Retaining (see #8)
10	96990	1	DECAL
11	A96349	1	FILTER ELEMENT- Top
	95217	1	SCREW- Retaining (see #8)
12	96176	2	SCREW- Mach hex hd. (10-24 x 1 5/8)
13	95083	1	CUP- Filter
14	A96352A	1	CARBURETOR- Zama C-1S-H4
	A95636A	1	CARBURETOR- Walbro #WT-6
15	A96537	1	BODY-Oil pump
16	69833	1	FITTING- Tube
17	94619	1	FITTING- Tube
18	69447	1	SPRING- Oil pump
19	A95070	1	PLUNGER- Oil pump
20	96480	1	"O" RING
21	94919	1	COVER- Oil pump
22	82380	2	SCREW- Plastite #18 16 x 5/8
23	82312	1	SCREW- Plastite #10 x 5 8
24	7031018	1	TUBING- (Oil outlet) 4 1/2"
25	7031025	1	TUBING- (Oil inlet) 6 1/2"
26	70810	4	NUT- Square 10-24
27	95375	2	RETAINER- Nut
28	95337	2	RETAINER- Nut
29	95069	1	CHAMBER- Carburetor
30	82218	2	SCREW- Hex washer (10-24 x 1 1/8)
31	70432A	2	RING- Vibration isolation
32	70433	1	SPACER
33	95868	1	ISOLATOR
34	96053	1	ISOLATOR- Shear
35	80870	1	SCREW- 10-32 x 3/8
36	84003	2	WASHER- Flat #10
37	96818	1	SCREW- Soc. hd. cap (10-24 x 1 1/58)
38	A96778	1	LINE- Pulse 3 1/4"
	95216	2	SPRING (not shown)
39	93426	1	CLAMP- (Oil outlet line)
40	81256	1	NUT- Lock hex 10-24
41	96901	1	PLATE- Handle bar
42	96210	1	GROMMET

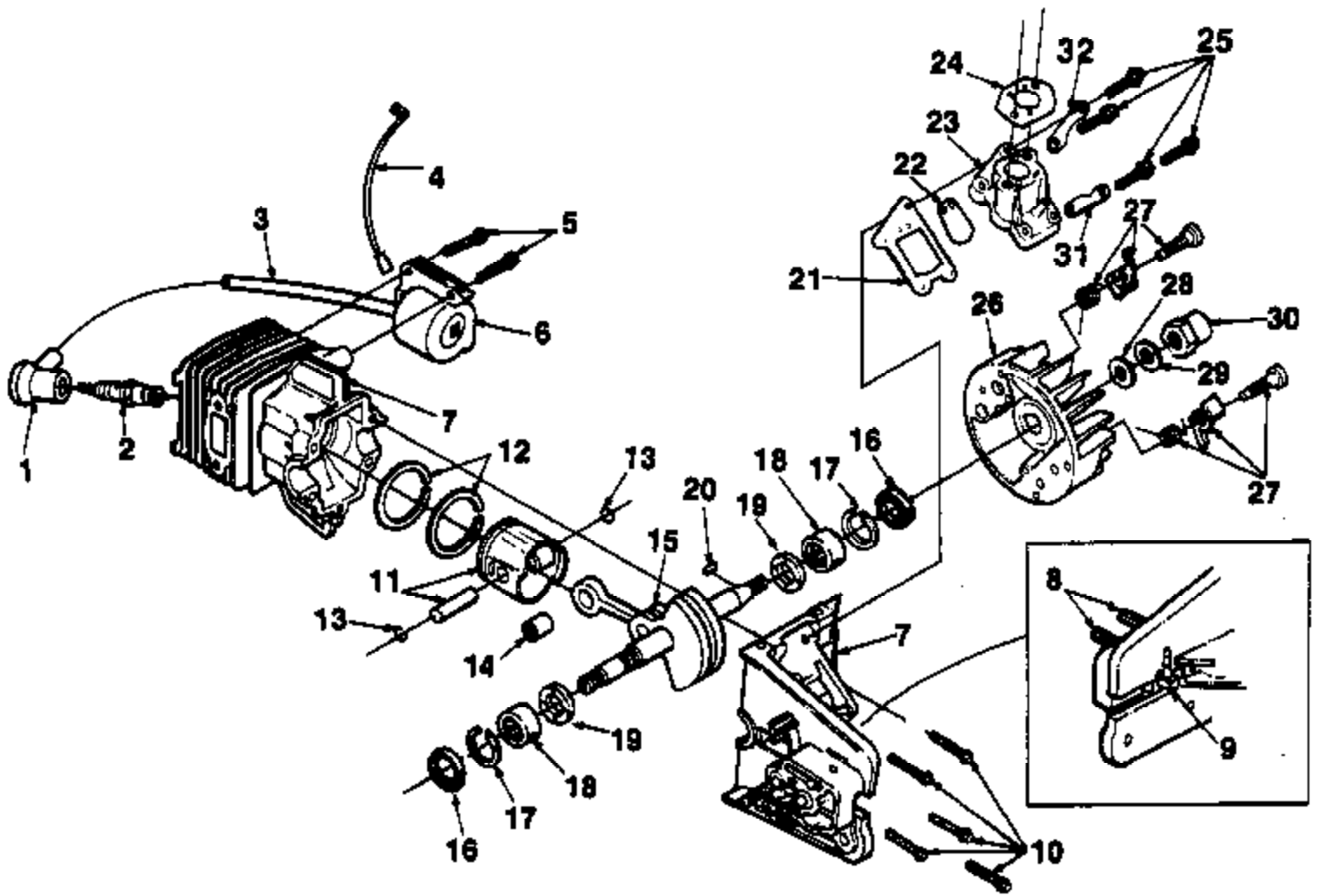


Ref #	Part Number	Qty	Description
1	80048	1	SCREW- Hex cap 1/4-20 x 5/8
2	95406	1	CLIP- Retaining
3	88048	1	SCREW- Hex sems 10-24 x 3/8
4	A70767	1	LINK- Pivot
5	A97179	1	HAND GUARD
6	95395	1	PIN-Roll
7	96990	1	DECAL
8	88050	1	SCREW- Hex sems 10-24 x 5/8
9	95397	1	WASHER- thrust
10	95486	1	WASHER- Curved
11	96170	1	CAM- Brake lever
12	95482	1	BAND- Brake
13	A97056	1	SPROCKET & DRUM (.325P, 8T)
	68512	1	BEARING- (Not shown)

**PRIOR TO LOT #D200**

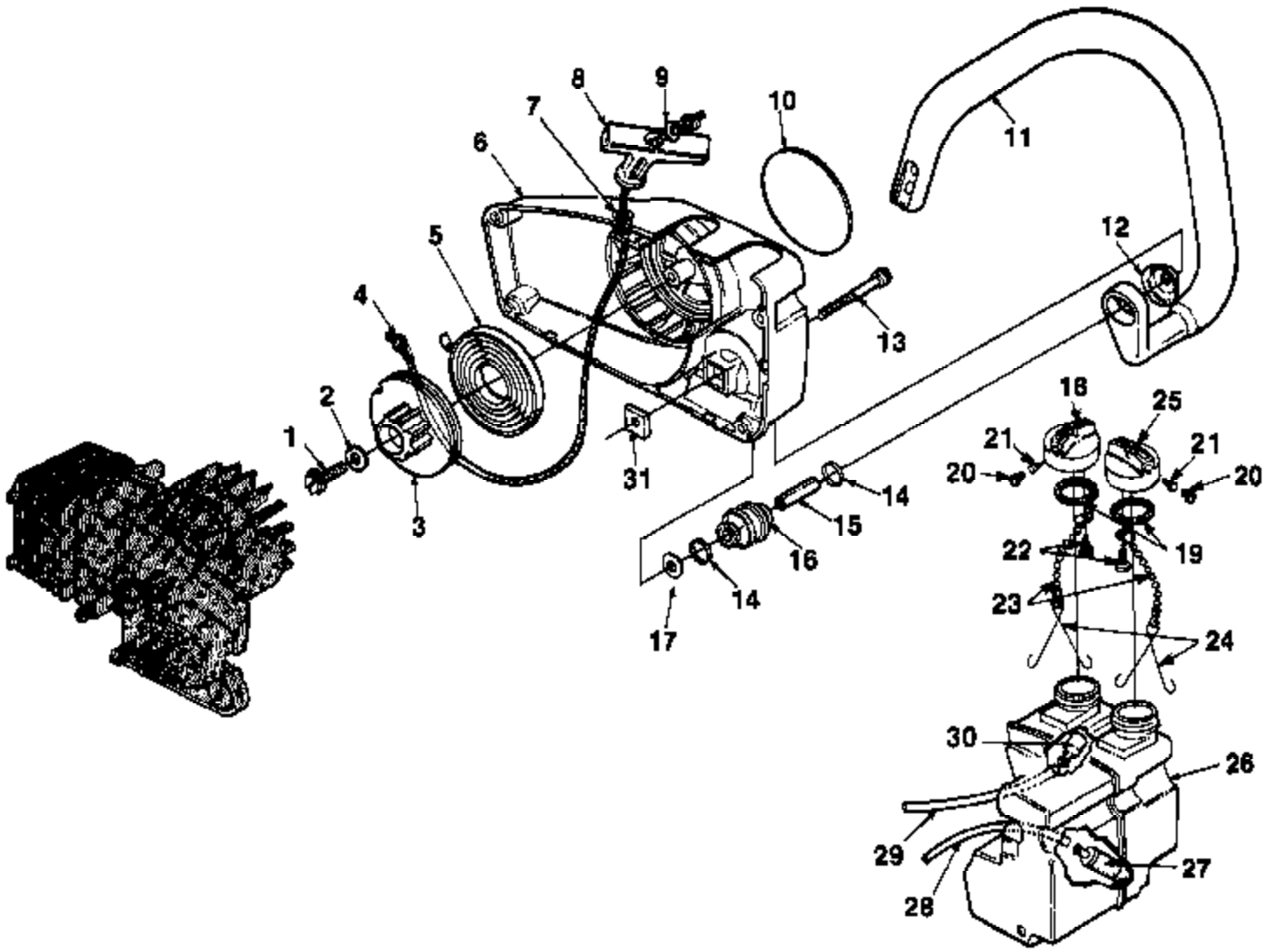


Ref #	Part Number	Qty	Description
	A96931	1	MUFFLER- Complete (units after Lot #D200)
1	95005	2	SCREW
2	9398308	2	SPACER- Muffler
3	948871	1	CAP- Muffler
4	948881	1	BAFFLE- Muffler
5	94889	1	PLATE- Muffler
6	956371	1	SCREEN- Spark arrestor
7	96925	1	DEFLECTOR- Exhaust
8	96928	1	BAFFLE- Muffler
9	A96930	1	BODY- Muffler
10	97751	1	BRACKET- Muffler
11	A96754	1	HOUSING- Engine
12	95633	1	DECAL- Warning
13	95050	1	BUTTON- Choke
14	95086A	1	BUTTON- Stop switch
15	88063	3	SCREW- Hex sems 10-24 x 5/8
16	95087	1	SPRING- Stop switch
17	95091	1	CONTACT- Stop switch
18	81256	1	NUT- Lock 10-24
19	95212	1	STOP- Chain
20	82298	1	SCREW- Mach hex 10-24 x 5/8
21	95390	1	PLATE- Guide bar
22	683626	1	CLUTCH- S
23	88051	1	SCREW- Sems hex (10-24 x 3/4)
24	97993	1	BRACE- Choke
25	95299	2	WASHER- Thrust
26	A97172	1	SPROCKET & DRUM (37/375 chain only) 6T
	A97056	1	SPROCKET & DRUM (325P 8T)
27	68512	1	BEARING- Needle
28	81112	1	NUT- Lock 5/16-24
29	A93591	1	COVER- Drivecase
30	692541A	1	PIN- Guide bar adjusting
31	93575	1	SCREW- Guide bar adjusting
32	93574	1	"E" RING
33	81258	2	NUT- Flange 1/4-20
34	699151	1	COVER- Clutch
35	97605	2	SCREW- Flat hd. 10-32 x 1/2
36	88057	1	SCREW- Hex sems 10-24 x 2 (prior to Lot #D200)
37	94887	1	CAP- Muffler (prior to Lot PD200)
38	95637	1	SCREEN- Spark arrestor (prior to Lot #D200)
39	9398307	2	SPACER- Muffler (prior to Lot #D200)
40	94888	1	BAFFLE- Muffler (prior to Lot #D200)
41	94886	1	BODY- Muffler (prior to Lot PD200)



Ref #	Part Number	Qty	Description
1	A94754	1	TERMINAL-High tension lead
2	96169S	1	SPARK PLUG (DJ7Y)
3	69326	1	LEAD- High tension
4	A96378	1	LEAD- Ground
5	82430	2	SCREW- Mach hex hd. 8-32 x 7/8
6	94711A	1	MODULE Ignition (incl. #1 and #3)
7	A96753A	1	CRANKCASE & CYLINDER
8	96083	2	BOLT- Guide bar
9	50558	1	FITTING
10	96624	5	SCREW- 10-24 x 1 1/8
11	A96751A	1	PISTON & PIN
12	94916	2	PISTON RINGS
13	65261	2	RING- Retaining
14	97125	1	BEARING- Needle (After Lot #E229)
15	A96752	1	CRANKSHAFT
	95439	1	BEARING- Needle (See #14)(Prior to Lot #E229)
16	94638	2	SEAL- Shaft
17	68514	2	RING- Retaining
18	12530	2	BEARING- Needle
19	95492	2	BEARING- Thrust
20	69250	1	KEY- Magneto
21	94873	1	GASKET- Manifold
22	95983	1	REED
23	948721	1	MANIFOLD- Intake
24	95022A	1	GASKET- Carburetor
25	82291	4	SCREW- Hex washer 8-32 x 5/8
26	A95007	1	ROTOR- Magneto
27	A70285D	1	PAWL- Starter
28	84065	1	WASHER- Flat 5/16
29	83002	1	WASHER- Lock 5/16
30	96255	1	NUT- Guide
31	96540	1	WASHER- Intake manifold
32	96539	1	WASHER- Intake manifold



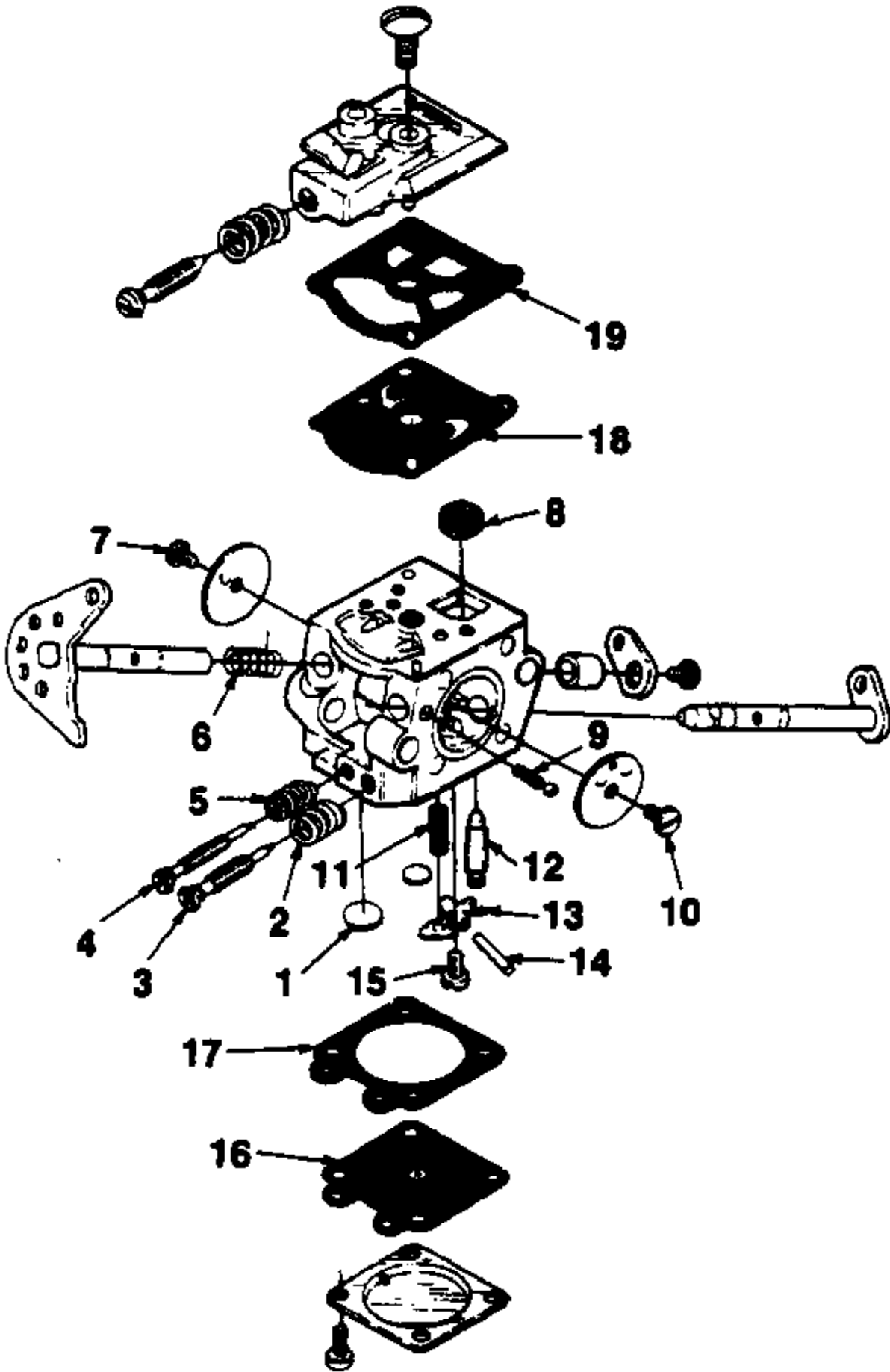


Ref #	Part Number	Qty	Description
	A98005	1	STARTER HOUSING KIT
1	70771	1	SCREW- #10 x 3/4
2	94062	1	WASHER- Retainer
3	97768	1	PULLEY- Starter
4	97899	1	ROPE- Starter #3 1/2, 46"
5	A97908	1	SPRING- Rewind
6	A95210B	1	HOUSING- Starter
7	A97796	1	BUSHING- Starter
8	70211	1	GRIP- Starter rope
9	84025	1	WASHER- Flat #8
10	93571	1	DECAL- "240"
11	95931	1	HANDLE BAR
12	70440A	1	WASHER- Vibration isolator
13	96818	1	SCREW- Soc. hd. (10-24 x 5/8)
14	70432A	2	RING- Vibration isolator
15	70433	1	SPACER
16	95868	1	ISOLATOR
17	95249	1	WASHER- Flat
18	A96957A	1	CAP-Oil
19	94494	1	GASKET- Filler cap
20	69454	1	FILTER- Filler cap
21	69451	1	VALVE- Check
22	82256A	1	SCREW- Pan hd.
23	69502	1	BEAD- Chain
24	96535	1	KEEPER- Cap
25	A96936	1	CAP- Fuel
	94494	1	GASKET (see #19)
	69454	1	FILTER- Cap (see #20)
	69451	1	VALVE- Check (see #21)
	82256A	1	SCREW (see #22)
	69502	1	CHAIN- Bead (see #23)
	96535	1	KEEPER- Cap (see #24)
26	A97141	1	TANK- Fuel & Oil
27	96639	1	FILTER Fuel
28	7031026	1	TUBING Fuel 6 1/2"
29	7031025	1	TUBING- Oil outlet 4 1/2"
30	A68593	1	FILTER- Oil
31	95213	1	NUT- Square 10-24

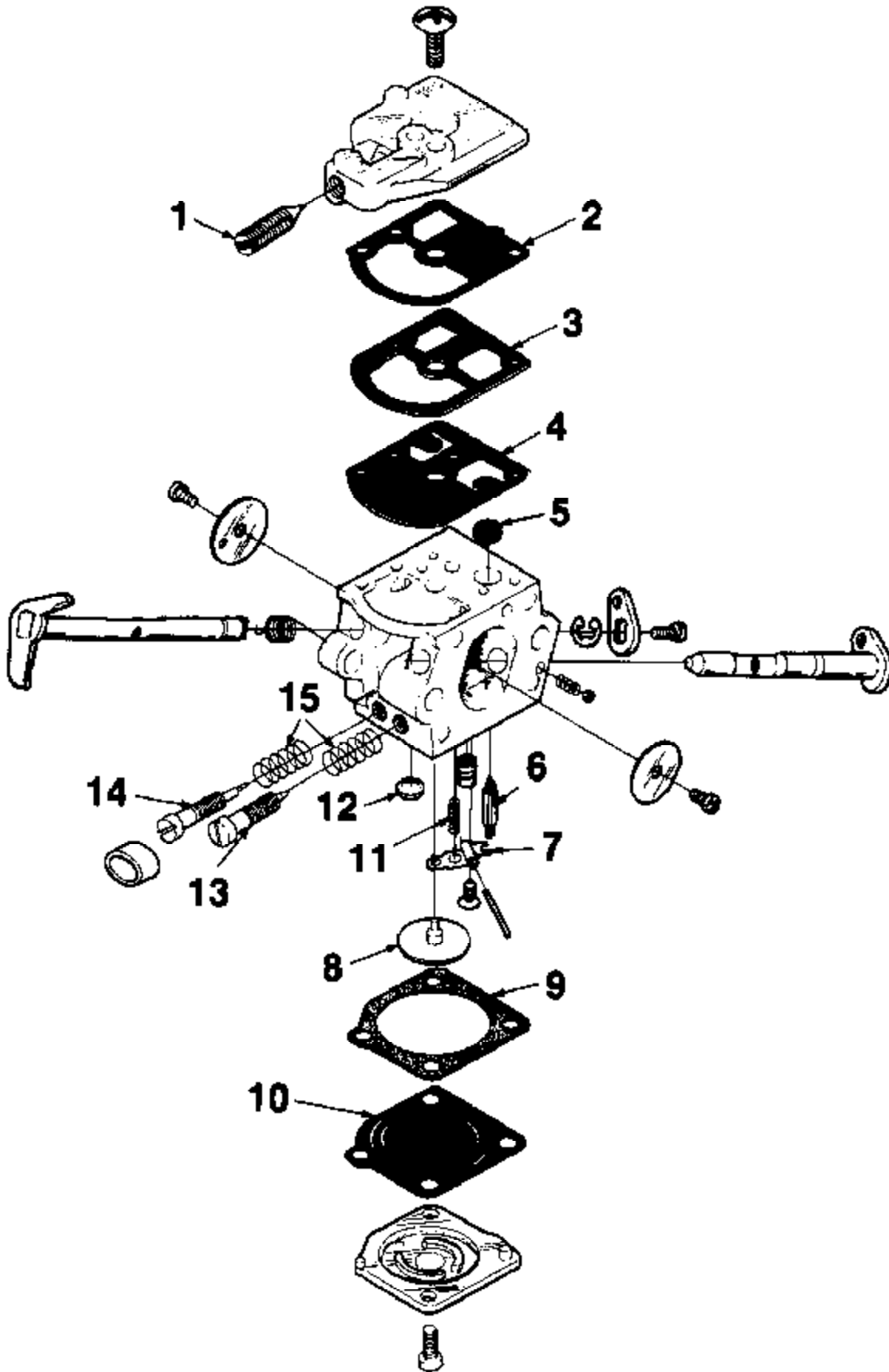
# TOOLS & ACCESSORIES

<b>SILASTIC (crankcase sealing)</b>	<b>24823</b>
<b>LOCTITE</b>	<b>23488-C</b>
<b>PULLER- Magneto rotor</b>	<b>A-24747-A</b>
<b>Includes:</b>	
<b>BOLT 5/16-18 x 1 3/4 (1)</b>	<b>80288</b>
<b>NUT- Hex 5/16-18 (2)</b>	<b>81196</b>
<b>WRENCH- Spanner (clutch)</b>	<b>A-93791</b>
<b>Includes:</b>	
<b>PIN- Clutch spanner</b>	<b>23717-A</b>
<b>WRENCH- Combination</b>	<b>A-17705</b>
<b>GREASE- Multi-Use</b>	<b>17193</b>
<b>TUBING- Rubber 10 ft. (Fuel &amp; Oil)</b>	<b>70310-99</b>
<b>SAFE•T•TIP (Standard on units)</b>	<b>DA-70776-A</b>
<b>Includes:</b>	
<b>SCREW (Special)</b>	<b>93695</b>
<b>TUBING- 10 ft. (pulse line)</b>	<b>95201-99</b>
<b>ROPE- Starter - 250 ft. #4</b>	
<b>(Prior to Lot #G080)</b>	<b>68848</b>
<b>ROPE- Starter - 250 ft. #3 1/2"</b>	
<b>(After Lot #G080)</b>	<b>98052</b>
<b>BUMPER- Spiked</b>	<b>A-97046</b>
<b>Includes:</b>	
<b>SCREW- Mach. Flat</b>	<b>82415</b>
<b>SCREW- (10-24 x 1/2)</b>	<b>80672</b>
<b>Nut- Locking hex</b>	<b>81256</b>
<b>IGNITION TEST SPARK PLUG</b>	<b>JA-31316-4</b>
<b>CARBURETOR REPAIR KIT</b>	<b>17789</b>

Ref #	Part Number	Qty	Description
24823	24823	1	SILASTIC (crankcase sealing)
23488C	23488C	1	LOCTITE
A24747A	A24747A	1	PULLER- Magneto rotor
80288	80288	1	BOLT 5/16-18 x 1 3/4 (1)
81196	81196	1	NUT- Hex 5/16-18 (2)
A-93791	A93791	1	WRENCH- Spanner (clutch)
23717A	23717A	1	PIN- Clutch spanner
A-17705	A17705	1	WRENCH- Combination
17193	17193	1	GREASE- Multi-Use
7031099	7031099	1	TUBING- Rubber 10 ft. (Fuel & Oil)
DA-70776-A	DA70776A	1	SAFE-T-TIP (Standard on units)
93695	93695	1	SCREW (Special)
9520199	9520199	1	TUBING- 10 ft. (pulse line)
68848	68848	1	ROPE- Starter - 250 ft. #4 (Prior to Lot #G080)
98052	98052	1	ROPE- Starter - 250 ft. #31/2" (After Lot #G080)
A-97046	A97046	1	BUMPER- Spiked
82415	82415	1	SCREW- Mach. Flat
80672	80672	1	SCREW- (10-24 x 1/2)
81256	81256	1	Nut- Locking hex
JA313164	JA313164	1	IGNITION TEST SPARK PLUG
17789	17789	1	CARBURETOR REPAIR KIT



Ref #	Part Number	Qty	Description
1	96986A	1	Repair Kit
2	96986A	1	Repair Kit
3	96986A	1	Repair Kit
4	96986A	1	Repair Kit
5	96986A	1	Repair Kit
6	96986A	1	Repair Kit
7	96986A	1	Repair Kit
8	96986A	1	Repair Kit
9	96986A	1	Repair Kit
10	96986A	1	Repair Kit
11	96986A	1	Repair Kit
12	96986A	1	Repair Kit
	96915	1	Inlet Needle
13	96986A	1	Repair Kit
14	96986A	1	Repair Kit
15	96986A	1	Repair Kit
16	96986A	1	Repair Kit
	96944	1	Gasket/Dia-Kit
17	96986A	1	Repair Kit
	96944	1	Gasket/Dia-Kit
18	96986A	1	Repair Kit
	96944	1	Gasket/Dia-Kit
19	96986A	1	Repair Kit
	96944	1	Gasket/Dia-Kit



Ref #	Part Number	Qty	Description
1	96646A	1	Repair Kit
2	96646A	1	Repair Kit
3	96646A	1	Repair Kit
4	96646A	1	Repair Kit
5	96646A	1	Repair Kit
6	96646A	1	Repair Kit
7	96646A	1	Repair Kit
8	96646A	1	Repair Kit
9	96646A	1	Repair Kit
10	96646A	1	Repair Kit
11	96646A	1	Repair Kit
12	96646A	1	Repair Kit
13	96646A	1	Repair Kit
14	96646A	1	Repair Kit
15	96646A	1	Repair Kit