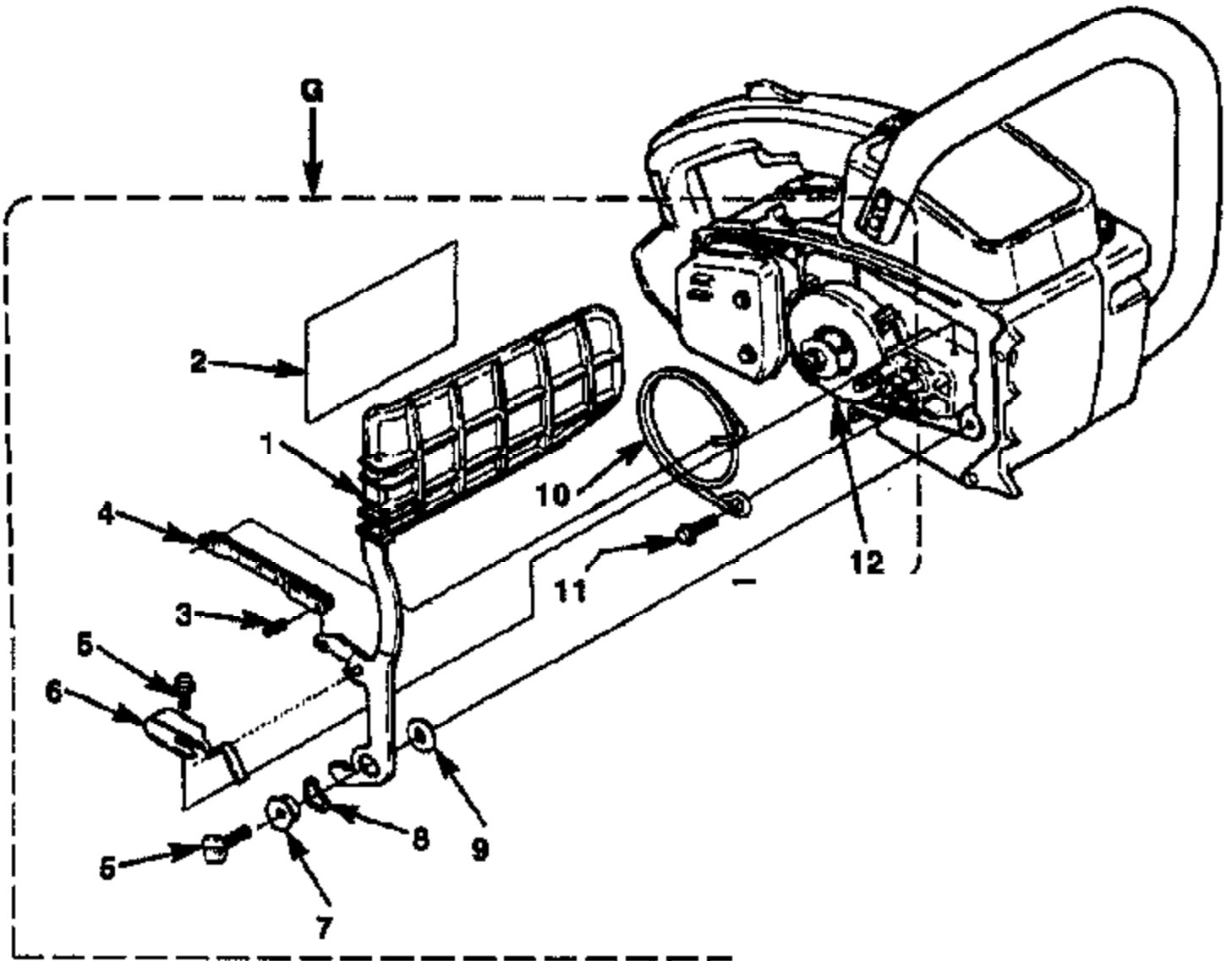
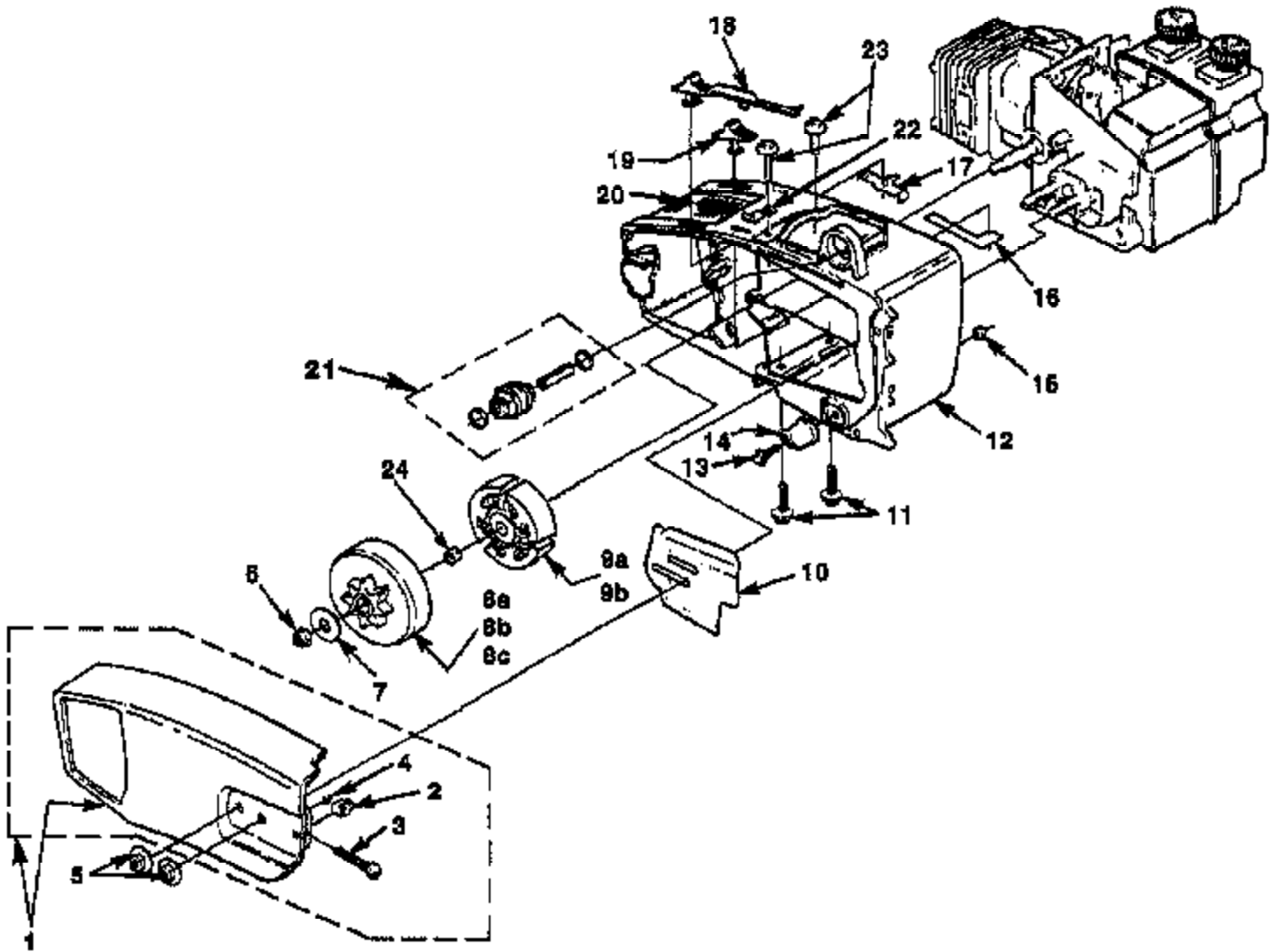


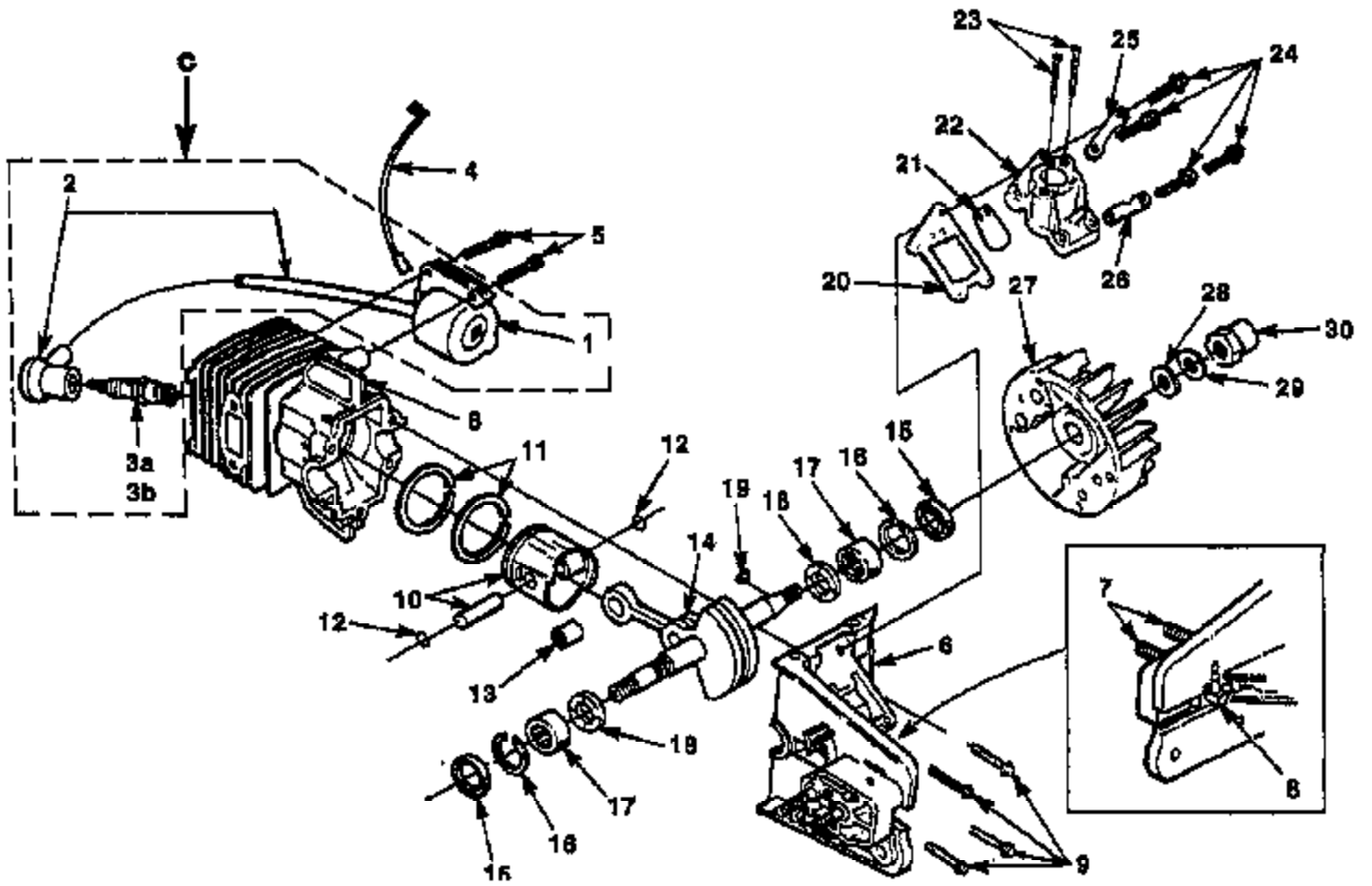
| Ref # | Part Number | Qty | Description |
|-------|-------------|-----|---|
| 1 | A03151 | 1 | HANDGUARD w/Cover |
| 2 | 95217 | 1 | SCREW-Retaining |
| 3 | 02661 | 1 | DECAL-Warning |
| 4 | 03128 | 1 | DECAL-Warning |
| 5 | 95089 | 1 | AIR FILTER COVER (UT10713, A; UT10715-A, B, C; UT10635-D) |
| 6 | 95211 | 1 | COVER-Handle |
| 7 | 82563 | 1 | SCREW-Thread Form. (10-24 X 3/4") |
| 8 | 95038 | 1 | INTERLOCK-Trigger |
| 9 | 95222 | 1 | SPRING-Torsion |
| 10 | 95032 | 1 | TRIGGER-Throttle |
| 11 | 95036 | 1 | ROD-Throttle |
| 12 | A96538A | 1 | OIL PUMP-Complete |
| 13 | 82312 | 1 | SCREW-Plastite (10 X 5/8") |
| 14 | 93426 | 1 | CLAMP (Oil Outlet Line) |
| 15 | 0745418 | 1 | TUBING-Rubber (4 1/2") |
| 16 | 0745425 | 1 | TUBING-Rubber (6 1/4") |
| 17 | A954851 | 1 | CARBURETOR CHAMBER |
| 18 | 70810 | 4 | NUT-Square |
| 19 | 95337 | 2 | RETAINER NOT |
| 20 | 95375 | 2 | RETAINER NUT |
| 21 | 96818 | 1 | SCREW-Socket Hd. (10-24 X 1 5/8") |
| 22 | A06391 | 1 | VIBRATION ISOLATOR KIT (See "Engine Housing - Clutch" illustration and parts list.) |
| 23 | 96210 | 1 | GROMMET |



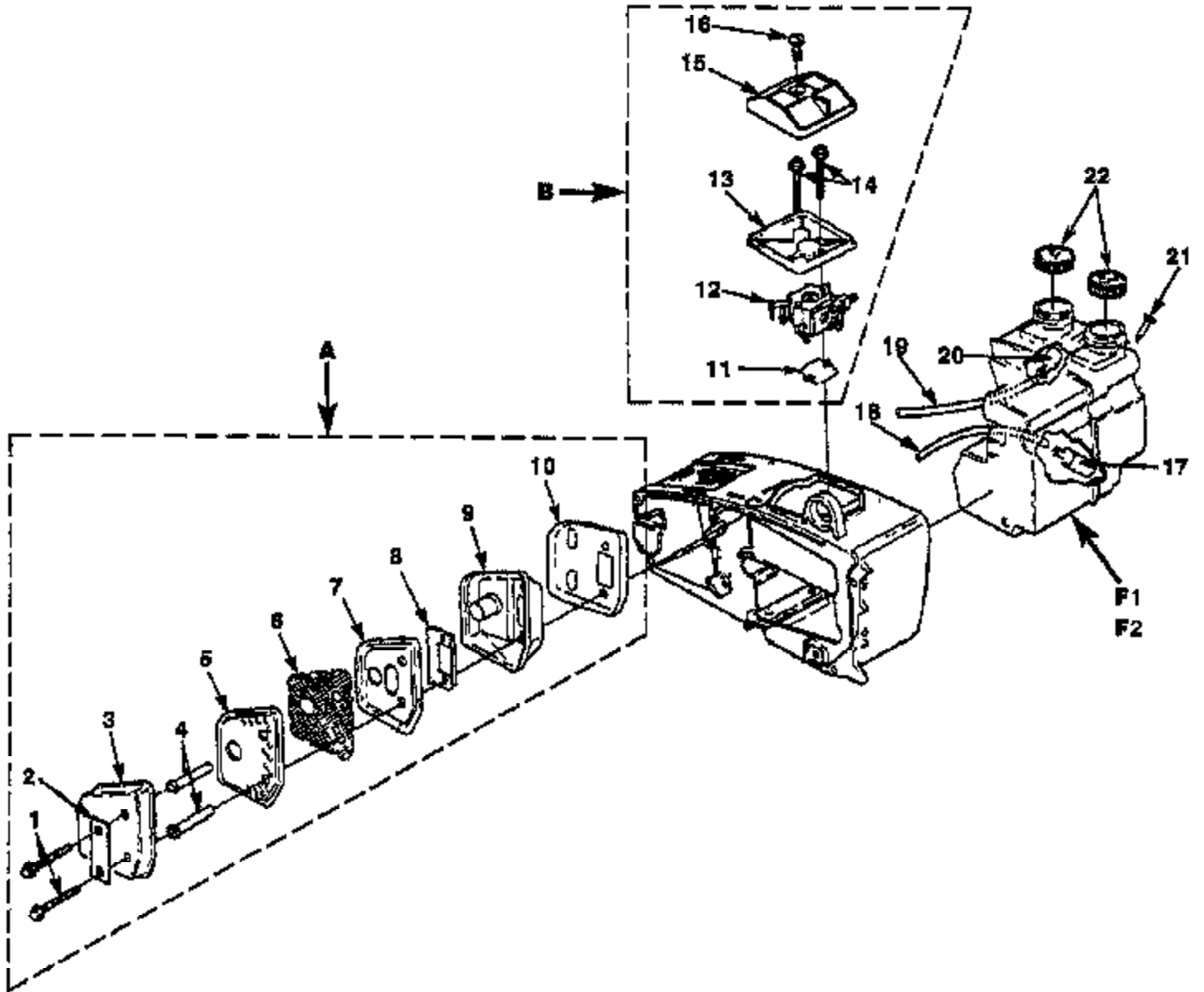
| Ref # | Part Number | Qty | Description |
|-------|-------------|-----|-------------------------------|
| G | A97800A | 1 | CHAIN BRAKE KIT |
| 1 | A97179 | 1 | HAND GUARD |
| 2 | 95395A | 1 | PIN-Roll |
| 3 | 02261 | 1 | DECAL-Warning |
| 4 | A70767 | 1 | LINK-Pivot |
| 5 | 80049 | 2 | SCREW-Hex Cap (1/4-20 X 5/8") |
| 6 | 95406 | 1 | CLIP-Retaining |
| 7 | 96170 | 1 | CAP-Brake Lever |
| 8 | 95486 | 1 | WASHER-Curved |
| 9 | 95397 | 1 | WASHER-Thrust |
| 10 | 95482 | 1 | BAND-Brake |
| 11 | 88063 | 1 | SCREW- Hex (10-24 X 5/8") |
| 12 | A97056 | 1 | SPROCKET & DRUM |



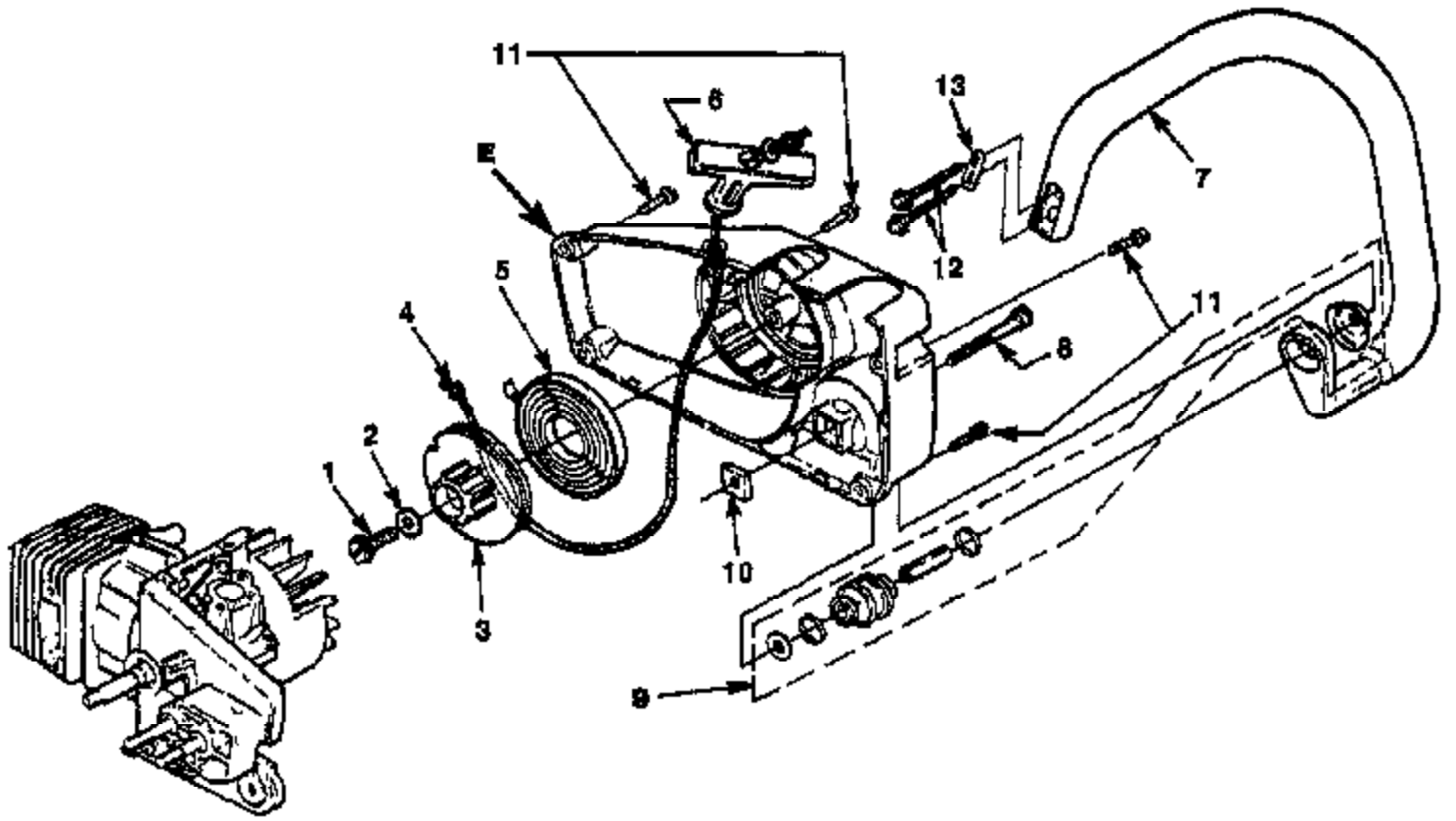
| Ref # | Part Number | Qty | Description |
|-------|-------------|-----|--|
| 1 | A01058B | 1 | COVER-Drive Case |
| 2 | 692542 | | PIN-Guide Bar Adjusting |
| 3 | A00440 | | SCREW & E-RING KIT |
| 4 | 93574 | 1 | E-RING |
| 5 | 81258 | 2 | NUT-Flange (1/4-20) |
| 6 | 81229A | 1 | NUT-Locking (5/16-24) |
| 7 | 95299 | 1 | WASHER-Thrust |
| 8A | A97172B | 1 | SPROCKET, DRUM & BEARING (.375-6T) (2 11/16" I.D.) |
| 8B | A97056 | 1 | SPROCKET, DRUM & BEARING (.325-8T) (2 11/16" I.D.) |
| 8C | A95650B | 1 | SPROCKET, DRUM & BEARING (.375-6T) (2 7/16" I.D.) |
| 9A | A98129 | 1 | CLUTCH (2 11/16" O.D.) |
| 9B | A979561A | 1 | CLUTCH (2 7/16" O.D.) |
| 10 | 95390 | 1 | PLATE-Guide Bar |
| 11 | 88051 | 1 | SCREW-Hex Sems (10-24 X 3/4") |
| 12 | A96754B | 1 | HOUSING-Engine |
| 13 | 82593 | 1 | SCREW-Mach. Hex Hd. (10-24 X 5/8") |
| 14 | 95212 | 1 | STOP-Chain |
| 15 | 81256 | 2 | NUT-Lock (10-24) |
| 16 | 95091 | 1 | CONTACT-Stop Switch |
| 17 | 95087 | 1 | SPRING-Stop Switch |
| 18 | 95050 | 1 | BUTTON-Choke |
| 19 | 95086A | 1 | BUTTON-Stop Switch |
| 20 | 03154B | 1 | DECAL-Warning |
| 21 | A06391 | 1 | VIBRATION ISOLATOR KIT |
| 22 | 97993 | 1 | BRACE-Clutch |
| 23 | 88063 | 4 | SCREW-Hex Sems (10-24 X 5/8") |
| 24 | 70277 | 1 | BEARING-Clutch & Drum |



| Ref # | Part Number | Qty | Description |
|-------|-------------|-----|--|
| C | A04446 | 1 | IGNITION KIT |
| 1 | 94711CS | 1 | MODULE-Ignition |
| 2 | A94754 | 1 | TERMINAL-High Tension Lead |
| 3A | 96169S | 1 | SPARK PLUG (DJ-7Y) |
| 3B | 79252 | 1 | SPARK PLUG (RDJ-7Y) (UT10713, 10715-A) |
| 4 | A96378 | 1 | LEAD-Ground |
| 5 | 82430 | 2 | SCREW-Machine Hex Hd. (8-32 X 7/8") |
| 6 | A96753A | 1 | CRANKCASE & CYLINDER |
| 7 | 96083 | 2 | BOLT-Guide Bar |
| 8 | 50558 | 1 | FITTING-Tube |
| 9 | 96624 | 4 | SCREW-Sems Hex Hd. (10-24 X 1 1/8") |
| 10 | A96751A | 1 | PISTON & PIN |
| 11 | 94916 | 2 | PISTON RING |
| 12 | 65261 | 2 | RING-Retaining |
| 13 | 97125 | 1 | BEARING-Needle (After Lot #E229) |
| 14 | A96752A | 1 | CRANKSHAFT |
| 13 | 95439 | 1 | BEARING-Needle (Prior to Lot #E229) |
| 15 | 07025 | 2 | SEAL-Shaft |
| 16 | 68514 | 2 | RING-Retaining |
| 17 | 12530 | 2 | BEARING-Needle |
| 18 | 95492 | 2 | BEARING-Thrust |
| 19 | 69250 | 1 | KEY-Woodruff |
| 20 | 94873 | 1 | GASKET-Manifold |
| 21 | 95983 | 1 | REED |
| 22 | A06326A | 1 | MANIFOLD-Intake |
| 23 | 82545 | 2 | SCREW-Plastite (#8-16 X 1 3/4") |
| 24 | 82291 | 4 | SCREW-Hex Washer (8-32 X 5/8") |
| 25 | 96539 | 1 | WASHER-Intake Manifold |
| 26 | 96540 | 1 | WASHER-Intake Manifold |
| 27 | A04158 | 1 | ROTOR & STARTER PAWLS |
| 28 | 84065 | 1 | WASHER-Flat |
| 29 | 83002 | 1 | WASHER- Lock |
| 30 | 96255 | 1 | NUT-Guide |



| Ref # | Part Number | Qty | Description |
|-------|-------------|-----|---|
| A | A96931 | 1 | MUFFLER-Complete |
| 1 | 95005 | 2 | SCREW-Mach. Sems Hex (10-24 x 2 1/16") |
| 2 | 97751 | 1 | BRACKET-Muffler |
| 3 | 948871 | 1 | CAP-Muffler |
| 4 | 9398308 | 2 | SPACER-Muffler |
| 5 | 948811 | 1 | BAFFLE-Muffler |
| 6 | 956371 | 1 | SCREEN-Spark Arrester |
| 7 | 96928 | 1 | BAFFLE-Muffler |
| 8 | 94889 | 1 | PLATE-Muffler |
| 9 | A96930 | 1 | BODY-Muffler |
| 10 | 96925 | 1 | DEFLECTOR-Exhaust |
| B | A06438 | 1 | CARBURETOR KIT |
| 11 | 95022A | 1 | GASKET-Carburetor |
| 12 | | 1 | UNKNOWN |
| 12A | 07240 | 1 | CARBURETOR-Walbro |
| 13 | 95083 | 1 | CUP-Filter |
| 14 | 96176 | 2 | SCREW-Mach. Hex (10-24 X 1 5/8") |
| 15 | A96349 | 1 | FILTER ELEMENT (Top) |
| 16 | 95217 | 1 | SCREW-Retaining |
| 12B | A96352B | 1 | CARBURETOR-Zama |
| F1 | A02970A | 1 | TANK-Fuel & Oil (UT10625-B,C,D; UT10630-A,B,C; UT10633-A,B; UT10635-D; UT10715,C,D; UT10717-A,B,C; UT10718-A,B,C) |
| F2 | A01162A | 1 | TANK-Fuel & Oil (UT10635-C, UT10713, A; UT10715-A,B) |
| 17 | 49422 | 1 | FILTER-Fuel |
| 18 | 0745426 | 1 | TUBING-Rubber (6 1/2") |
| 19 | 0745428 | 11 | TUBING-Rubber (7") |
| 20 | A68593 | 1 | FILTER-Oil |
| 21 | 98819 | 2 | VALVE-Duck Bill |
| 22 | A97359A | 2 | CAP-Fuel & Oil |



| Ref # | Part Number | Qty | Description |
|-------|-------------|-----|--|
| E | A98005B | 1 | STARTER, Complete |
| 1 | 82563 | 1 | SCREW- Thread Forming (#10 X 3/4") |
| 2 | 94062 | 1 | WASHER-Retainer |
| 3 | 97768B | 1 | PULLEY-Starter |
| 4 | 9789901 | 1 | ROPE-Starter |
| 5 | A97908 | 1 | SPRING & CONTAINER |
| 6 | 02264 | 1 | GRIP-Starter |
| 7 | A06436 | 1 | HANDLE BAR KIT |
| 8 | 96818 | 1 | SCREW-Socket Hd. (10-24 X 5/8") |
| 9 | A06391 | 1 | VIBRATION ISOLATOR KIT (See "Engine Housing Clutch Illustration and part list.) |
| 10 | 95213 | 1 | NUT-Square (10-24) |
| 11 | 82563 | 4 | SCREW-Thread Form (10-24 X 3/4") |
| 12 | 82218 | 2 | SCREW-Hex Washer (10-24 X 1 1/8") |
| 13 | 96901 | 1 | PLATE-Handle Bar |

No
Diagram
Available

Parts List
Only

| Ref # | Part Number | Qty | Description |
|----------|-------------|-----|--|
| 24823 | 24823 | | SILASTIC (Crankcase Sealing) |
| 23488C | 23488C | | LOCTITE |
| A24747A | A24747A | | PULLER-Magneto Rotor |
| 46130 | 46130 | | SCREW-Mach. Hex (5/16-18 2") |
| 81196 | 81196 | 2 | NUT-Hex (5/16-18) |
| A93791 | A93791 | | WRENCH-Spanner (Clutch) |
| 23717A | 23717A | | PIN-Clutch Spanner |
| A17705 | A17705 | | WRENCH-Combination |
| 18453 | 18453 | | GREASE-Multi-Use |
| 0745499 | 0745499 | | TUBING-Rubber (10ft.) |
| A06439 | A06439 | | FASTENER KIT |
| DA70776C | DA70776C | | SAFE*T*TIP (Standard on units) |
| 93695 | 93695 | | SCREW (Special) |
| 9520199 | 9520199 | | TUBING-Rubber (10ft) |
| 68848 | 68848 | | ROPE-Starter (250 ft. #4) (Prior to Lot #G080) |
| 98052A | 98052A | | ROPE-Starter (250 ft. #3 1/2") (After Lot #G080) |
| A97046 | A97046 | | BUMPER-Spiked |
| 82415 | 82415 | 1 | SCREW-Mach. Flat (10-24 X 1/2") |
| 80672 | 80672 | 1 | SCREW-Mach. Pan (10-24 X 1/2") |
| 81256 | 81256 | 2 | NUT-Locking Hex |
| GP203225 | GP203225 | | IGNITION TEST KIT |
| 17789 | 17789 | | CARBURETOR TOOL |