

Homelite®

25cc String Trimmers
(CARB Models)

PARTS LIST

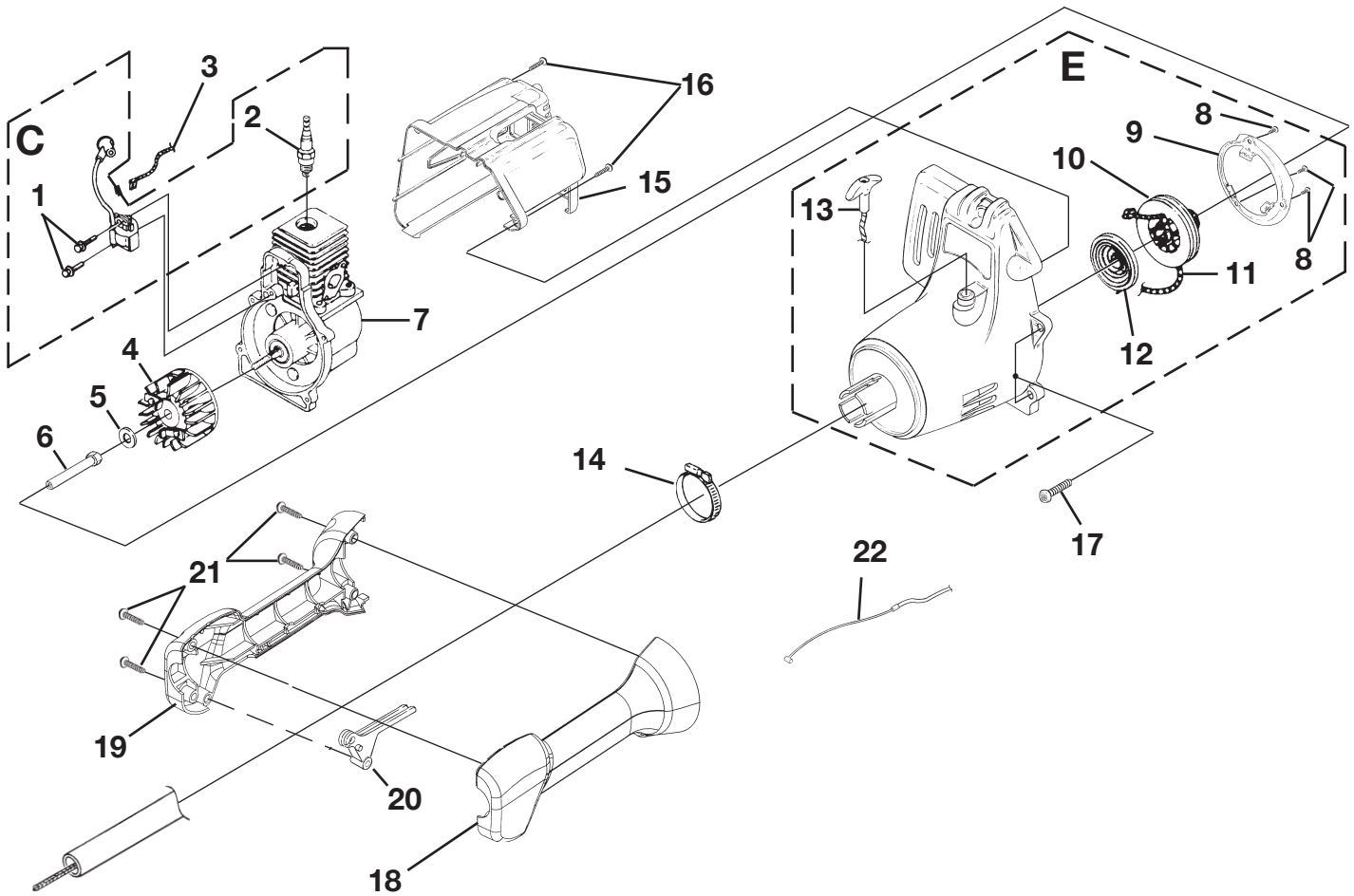
TrimLite™	UT20930
-----------	---------

Trim 'n Edge™	UT20933
---------------	---------

EZ Reach™	UT20777
-----------	---------

IGNITION - ROTOR - STARTER

TrimLite™ (UT20930)
 Trim 'n Edge™ (UT20933)
 EZ Reach™ (UT20777)



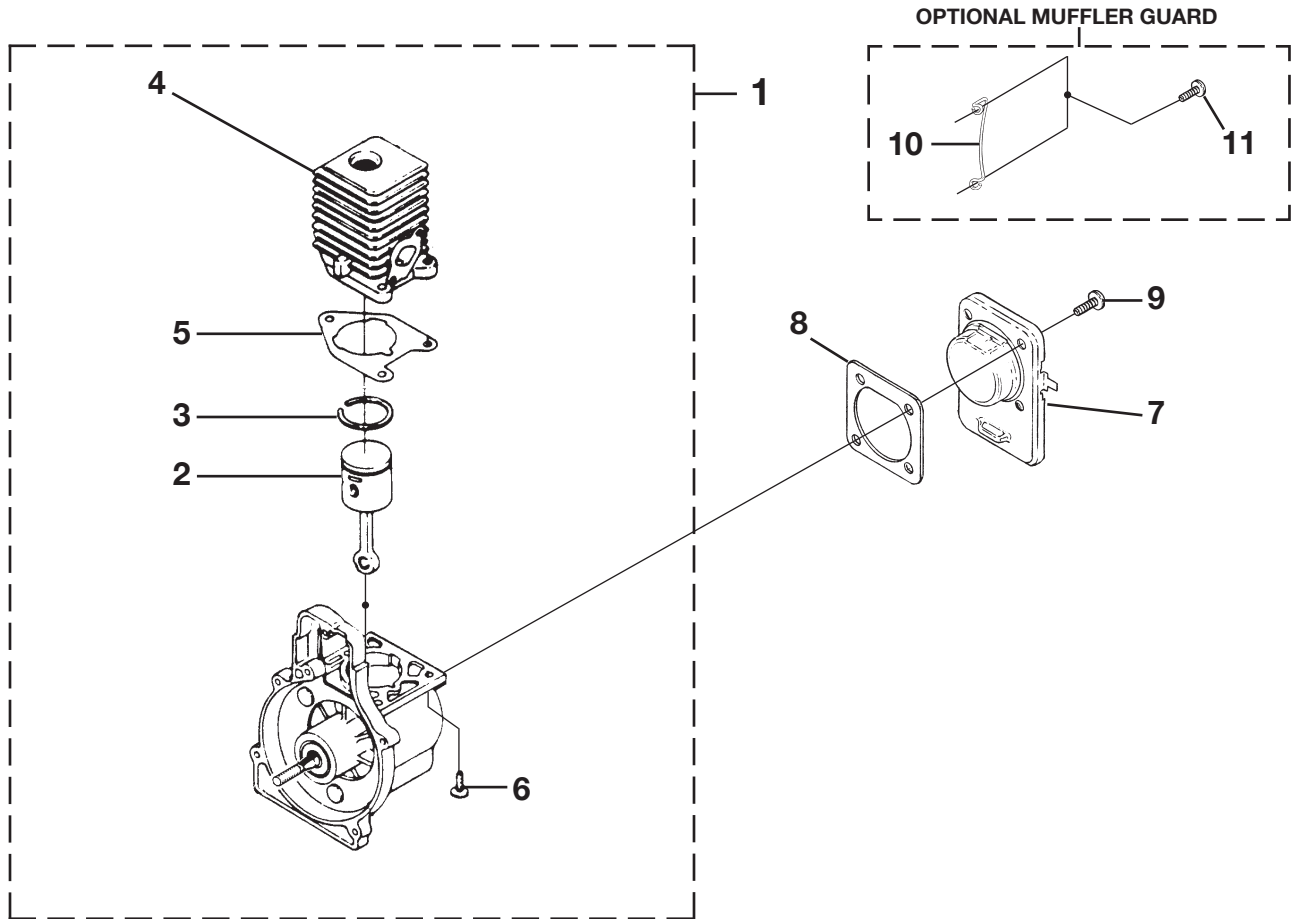
No.	Part No.	Description	Qty.
C	984873001	IGNITION KIT	1
1	82540	SCREW-Taptite (8-32 x 1")	2
2	PS02227	SPARK PLUG	1
3	A07238	LEAD-Electrical	1
4	PA00631	ROTOR ASSY.	1
5	PS84065	WASHER-Flat	1
6	98795A	CONNECTOR-Drive (.250)	1
7	3074107	SHORT BLOCK (See Engine Internal)	1
E	984875001	COMPLETE STARTER ASSEMBLY	1
8	82543	SCREW-Taptite (8-16 x 1/2")	3
9	6300222	BAFFLE-Air	1
10	PS01122	PULLEY-Starter	1
11	9789902	ROPE-Starter (42")	1
12	A98773A	SPRING & CONTAINER	1
13	5946702	GRIP-Starter	1
14	PS01611	CLAMP	1
15	984633001	HOUSING-Rear Kit	1
16	82563	SCREW-Taptite (10-14 x 7/8")	2
17	82538	SCREW-Taptite (10-24 x 3/4")	4

No.	Part No.	Description	Qty.
18	PS04383	CONTROL HANDLE - (LH)	1
19	PS04384	CONTROL HANDLE - (RH)	1
20	983815001	TRIGGER-Throttle	1
21	82537	SCREW-Taptite (10-14 x 7/8")	4
22	08832 02	CABLE-Throttle	1

Torque Specs			
Item No.	In/Lbs	Nm	Required Loctite
1	30-40	3.4-4.5	Blue 242
2	120-180	13.6-20.3	
6	100-150	11.3-16.9	
8	10-20	1.1-2.3	
14	40-50	4.5-5.6	
16	30-50	3.4-5.6	
17	30-40	3.4-4.5	
21	30-50	3.4-5.6	

ENGINE INTERNAL

TrimLite™ (UT20930)
 Trim 'n Edge™ (UT20933)
 EZ Reach™ (UT20777)

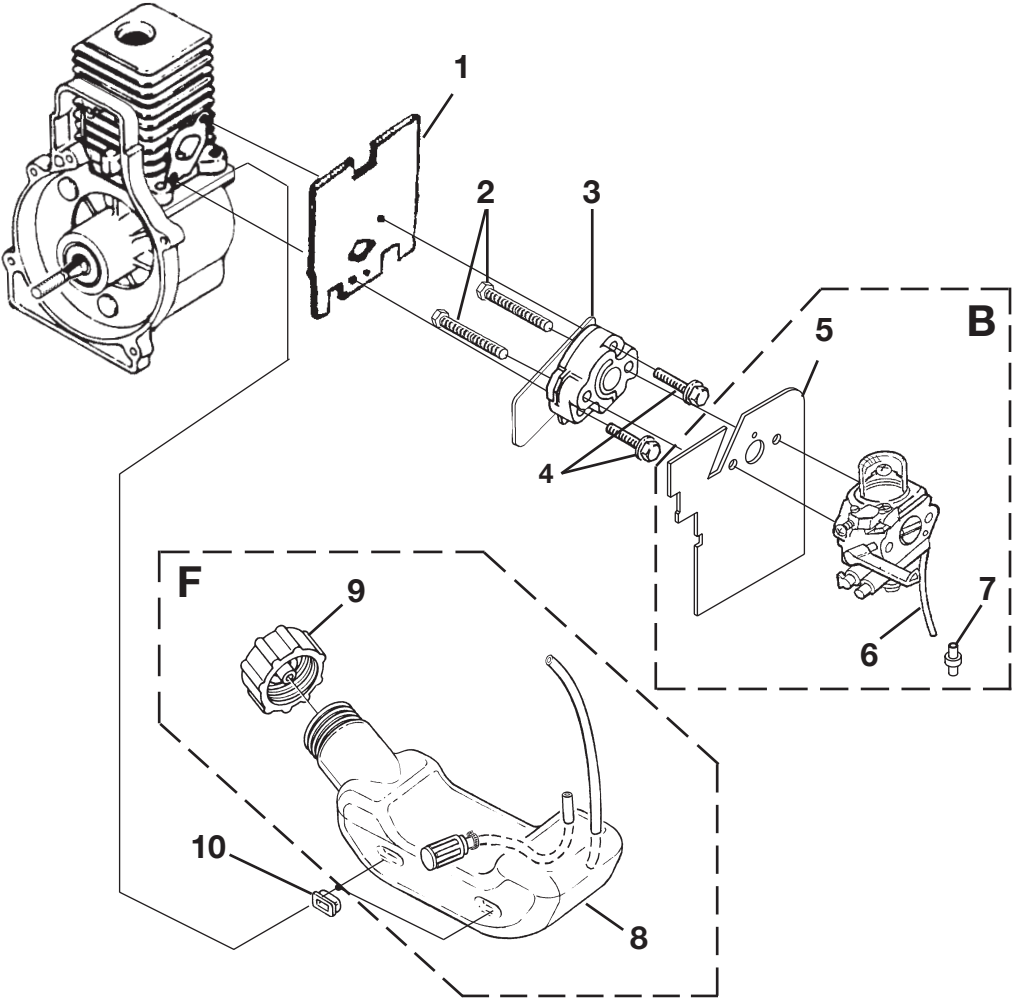


No.	Part No.	Description	Qty.
1	3074107	SHORT BLOCK ASSY.	1
2	3081102	PISTON & ROD ASSY.	1
3	PS04468	RING-Piston	1
4	6457005	CYLINDER	1
5	04388B	GASKET-Cylinder	1
6	PS02807	SCREW-Sems (12-24 X 3/4")	3
7	PS02130	CRANKCASE COVER	1
8	06443A	GASKET-Crankcase Cover	1
9	PS01565	SCREW-Sems (10-24 X 1/2")	4
10	UP04099	MUFFLER GUARD	3
11	UP03897	SCREW-Thread Forming (10-14 X 1/2")	2

Item No.	Torque Specs		Required
	In/Lbs	Nm	Loctite
9	55-65	6.2-7.3	Red 262
11	35-45	4.0-5.1	Red 262

CARBURETOR - FUEL TANK

TrimLite™ (UT20930)
 Trim 'n Edge™ (UT20933)
 EZ Reach™ (UT20777)

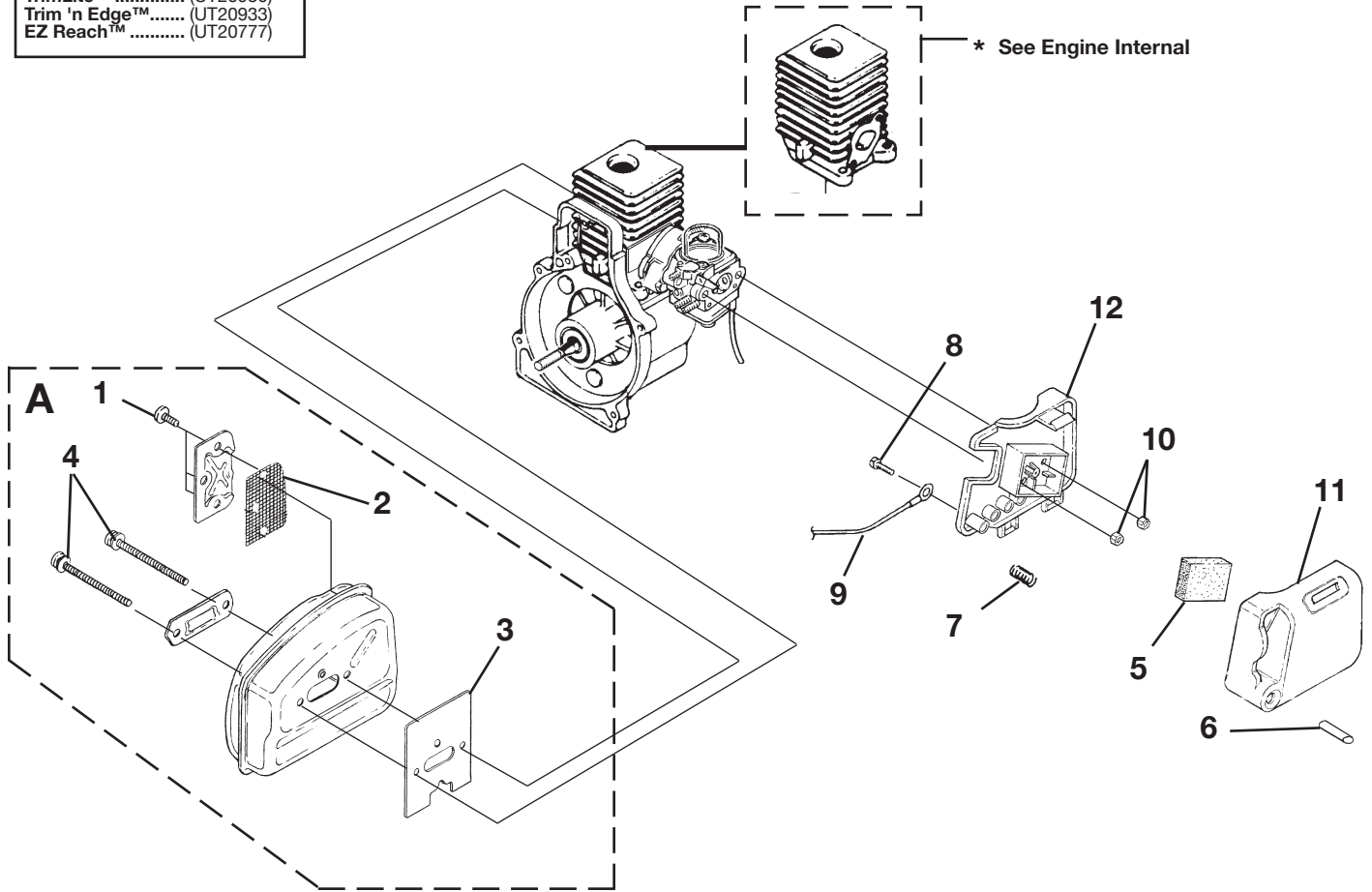


No.	Part No.	Description	Qty.
1	06900A	GASKET-Heat Dam	1
2	04474	SCREW-Machine (10-24 X 2 1/4")	2
3	98768A	HEAT DAM	1
4	093221	SCREW-Sems (10-24 X 1")	2
B	984874001	CARBURETOR KIT	1
5	9074001	GASKET-Carburetor	1
6	0143910	TUBING - Rubber	1
7	07332	FITTINGS - Inline	1
F	PA 01624	FUEL TANK ASSY.	1
8	PA 00116	FUEL TANK	1
9	A09116	FUEL CAP	1
10	98792	BUMPER - Rubber	3

Item No.	Torque Specs		Required Loctite
	In/Lbs	Nm	
4	35-45	4.0-5.1	Red 262

MUFFLER - AIR CLEANER

TrimLite™ (UT20930)
 Trim 'n Edge™ (UT20933)
 EZ Reach™ (UT20777)

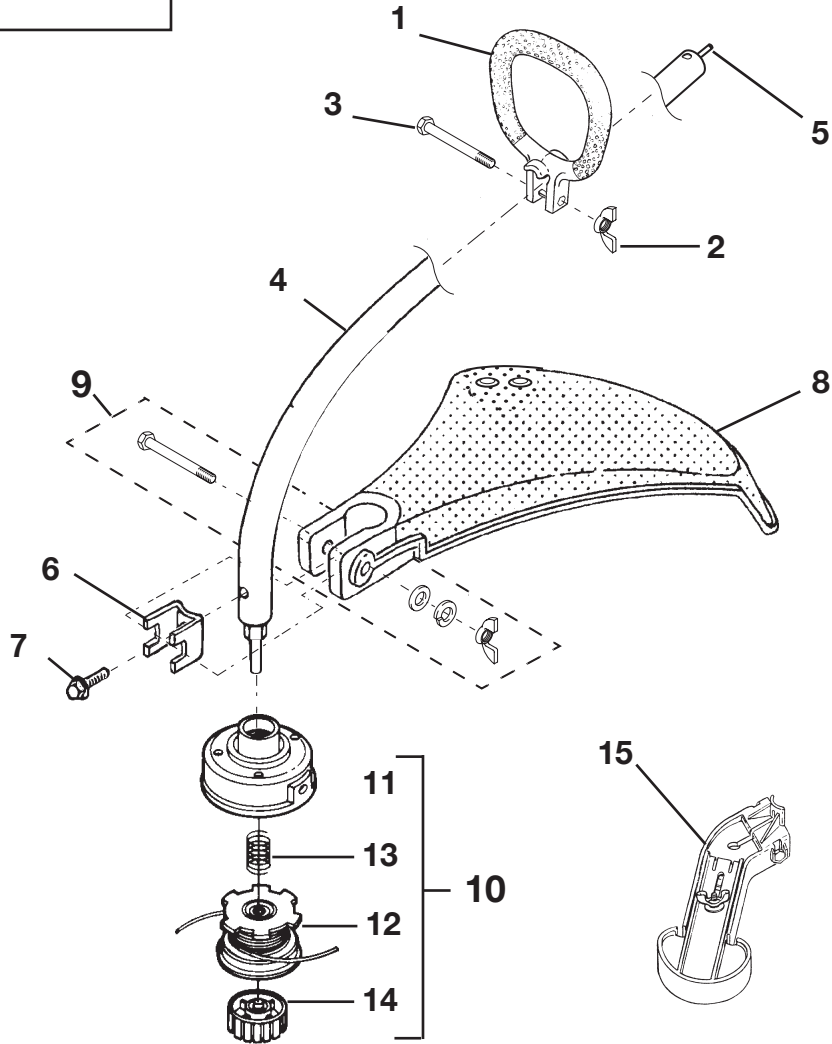


No.	Part No.	Description	Qty.
A	984872001	MUFFLER ASSY.	1
1	82600	SCREW, Taptite- (8-32 X 3/8")	3
2	06502	SCREEN-Spark	1
3	PS04000	GASKET-Muffler	1
4	PS03999	SCREW, Truss Hd. - (10-24 X 2.188)	2
5	98760	FILTER-Air	1
6	06618A	BUTTON-Switch	1
7	95020A	SPRING-Compression	1
8	82513	SCREW-Thread Form (6-19 x 1/2")	1
9	A07238	LEAD-Electrical	1
10	81208	NUT-Hex (10-24)	2
11	PS02156	COVER, Air Box	1
12	PS02113	BOX, Air Filter	1

Item No.	Torque Specs		Required Loctite
	In/Lbs	Nm	
1	25-35	2.8-4.0	
4	50-60	5.6-6.8	
8	5-10	.6-1.1	
10	30-40	3.4-4.5	

SHAFT - SPOOL & STRING - GRASS DEFLECTOR

TrimLite..... (UT20930)
 Trim 'n Edge™..... (UT20933)

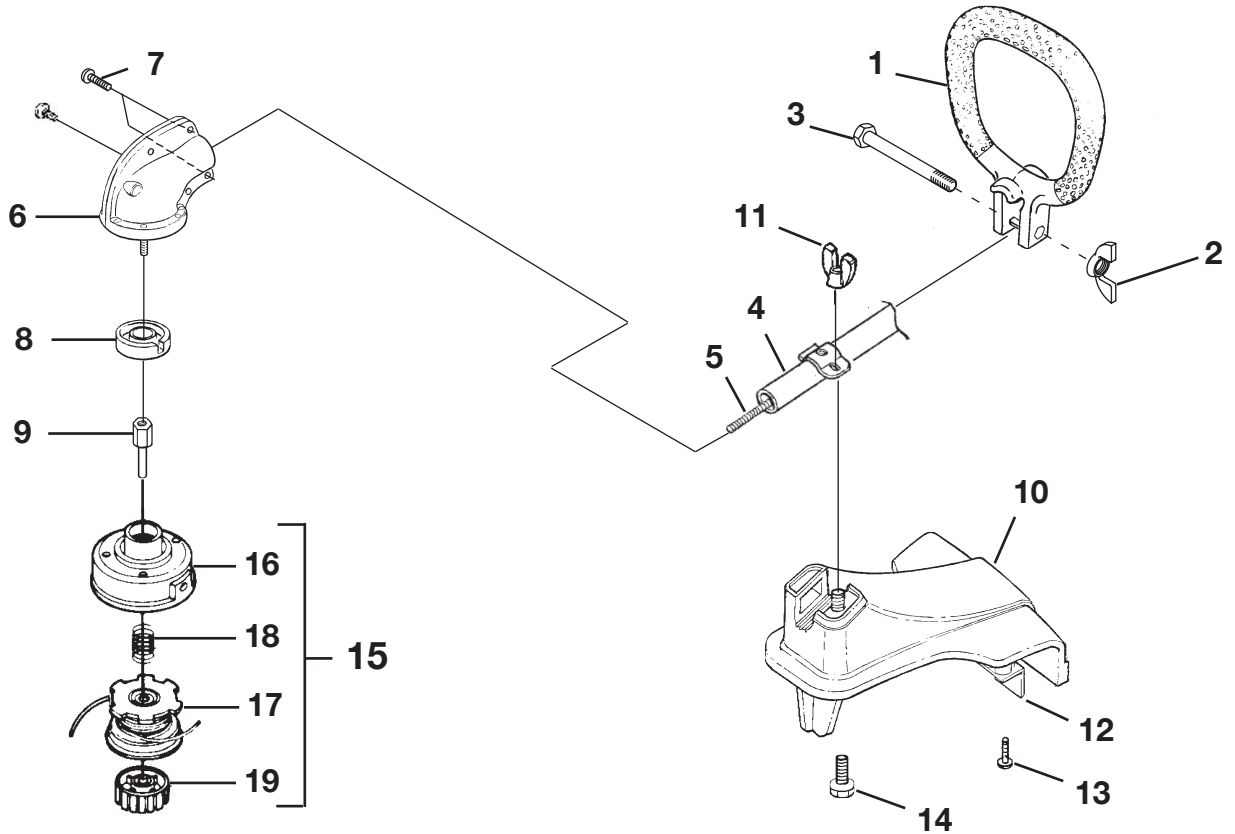


No.	Part No.	Description	Qty.
1	98822A	HANDLE ASSY.-Front	1
2	93992	NUT-Wing, Washer Faced (1/4-20)	1
3	80295	SCREW-Cap Hex Hd.	1
4	PA00472A	DRIVESHAFT HOUSING ASSY.	1
5	PS01502	SHAFT-Flexible	1
6	07928	CLAMP	1
7	983823001	SCREW-Sems Hex Hd. (#10-24 X 3/8")	1
8	PA01014	DEFLECTOR-GRASS (55 Deg.)	1
9	PA00249	FASTENER KIT	1
10	DA03001A	STRINGHEAD-Complete	1
11	A98231A	HOUSING & EYELET (Dual Line)	1
12	PA0387A	SPOOL & STRING (.080" Line)	1
13	06713	SPRING-Compression	1
14	A98866A	RETAINER-Spool (RH Thread, Black)	1
15	UP00008	EDGER GUIDE KIT (UT20933 only)	1
	983000111	OWNER'S MANUAL (NOT SHOWN)	1

Item No.	Torque Specs		Required Loctite
	In/Lbs	Nm	
2	5-25	.6-2.8	
7	15-25	1.7-2.8	

SHAFT - SPOOL & STRING - GRASS DEFLECTOR

EZ Reach (UT20777)



No.	Part No.	Description	Qty.
1	98822A	HANDLE-FRONT	1
2	93992	NUT-Wing, Washer Faced (1/4-20)	1
3	80295	SCREW-Cap Hex Hd. (1/4-20 x 2")	1
4	PA00983A	DRIVESHAFT HOUSING ASSY.	1
5	98818	SHAFT-Flexible	1
6	A04402C	GEARHEAD ASSY.	1
7	82597	Screw, Taptite Hex Hd. (10-24 x 1/2")	5
8	04168A	WASHER-Flanged	1
9	04355	ADAPTER-Shaft	1
10	PA00982	GRASS DEFLECTOR KIT	1
11	PS02453	WING NUT	1
12	07129	BLADE-Cut-off	1
13	82546	SCREW-Mach.Hex Hd. (10-24 X 3/8")	2
14	PS 02435	SCREW-Square Head	1
15	DA03001A	STRINGHEAD-Complete (.080" Line)	1
16	A98231A	HOUSING & EYELET (Dual Line)	1
17	PA0387A	SPOOL & STRING (.080" Line)	1
18	06713	SPRING-Compression	1
19	A98866A	RETAINER-Spool (RH Thread, Black)	1
	983000111	OWNER'S MANUAL (NOT SHOWN)	1

Item No.	Torque Specs		Required Loctite
	In/Lbs	Nm	
2 Hand Tight		
7 15-20 1.7-2.3	
9 100-120 11.3-13.6	
11 Hand Tight		
13 30-40 3.4-4.5	

HOMELITE CONSUMER PRODUCTS, INC.

1428 Pearman Dairy Road Anderson, SC 29625

Post Office Box 1207, Anderson, SC 29622

Phone 1-800-chainsa (1-800-242-4672)

www.homelite.com

983000-111R
04-08-04