

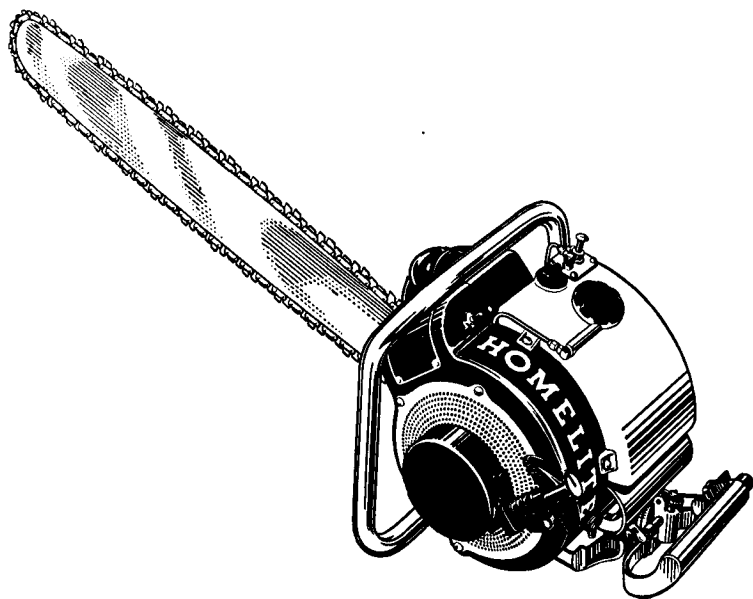
76.5

# PARTS LIST

PCPS22229

## HOMELITE CHAIN SAW

MODEL 26LCS



**Gasoline-Engine-Driven**

**HOMELITE CORPORATION**

PORT CHESTER, N.Y.

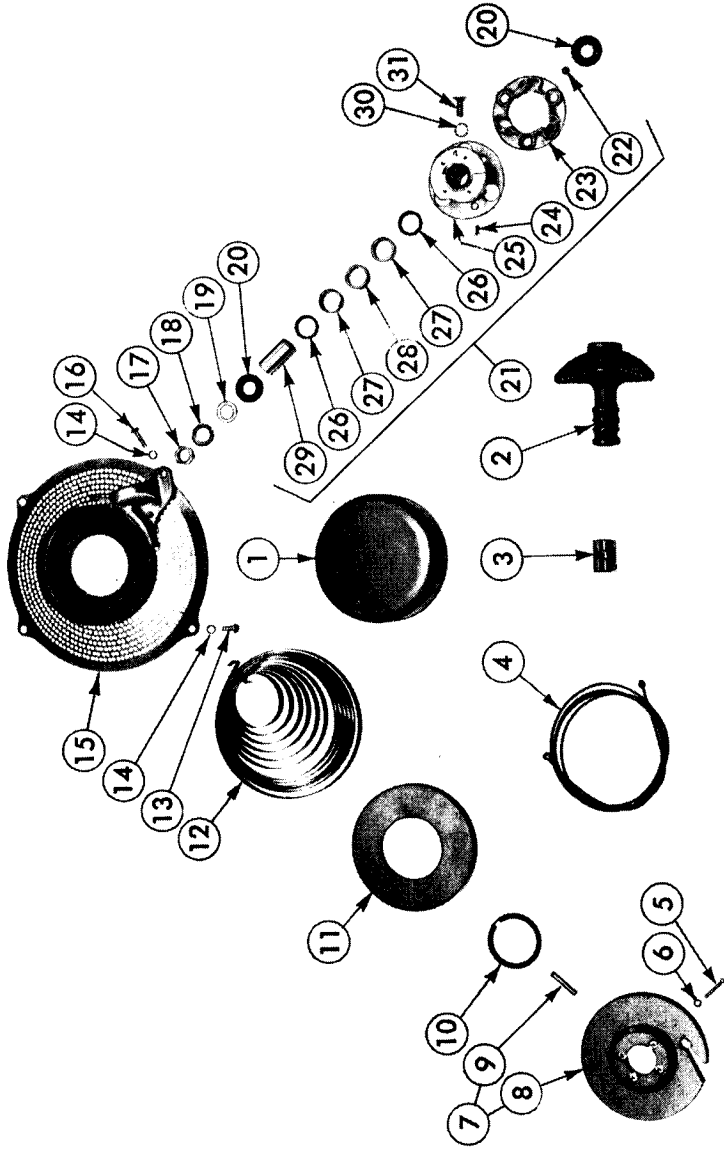


Figure 1—Recoil Starter Parts

## RECOIL STARTER PARTS (See Figure 1)

Index No.	Part No.	Nomenclature	Units Per Ass'y
1	72142	Cover—Starting pulley .....	1
2	71149-A	Grip—Starting cable .....	1
3	71420-A	Pin—Starting grip lock .....	1
4	AA-71997	Starting Cable Assembly .....	1
5	80475	Screw—Fil. hd., 6-32 x 3/4" .....	4
6	83004	Washer—Lock, #6 .....	4
7	AA-71589-1	Starting Pulley Assembly .....	1
		Composed of	
8	*	Pulley—Starting .....	1
9	71577	Pin—Dowel .....	1
10	71588	Shim—Plastic .....	as req.
11	71603	Cover—Spring housing .....	1
12	71470	Spring—Recoil .....	1
13	80157	Screw—Rd. hd., 10-32 x 1/2" .....	3
14	83006	Washer—Lock, #10 .....	4
15	AA-72392	Air Screen and Bracket Assembly .....	1
16	80462	Screw—Rd. hd., 10-32 x 5/8" .....	1
17	81110	Nut—Hex jam, 7/16-20 .....	1
18	83019-1	Washer—Lock, 7/16" .....	1
19	84055	Washer—Flat alum., 7/16" .....	1
20	71598-A	Washer—Thrust .....	2
21	AA-72308	Ball Drive Assembly .....	1
		Composed of	
22	30355-1	Ball—Steel .....	3
23	71563-C	Plate—Ball drive .....	1
24	80464	Screw—Flat hd., 5-40 x 5/16" .....	3
25	AA-72307	Ratchet and Hub Assembly .....	1
		Composed of	
	71579-1	Hub—Ratchet .....	1
	72295	Screw—Hub .....	1
	71570-A	Retainer—Ball .....	1
	AA-72306	Ratchet and Bearing Assembly .....	1
		Composed of	
	71565-1	Ratchet .....	1
26	71597	Seal—Garlock .....	2
27	71596	Bearing—Needle .....	2
28	71595	Felt—Wick .....	1
29	71196-B	Sleeve—Bearing .....	1
30	83074	Washer—Countersunk lock, 1/4" .....	3
31	80173	Screw—Flat hd., 1/4-20 x 5/8" .....	3

\*Not sold separately.

4 PARTS LIST — HOMELITE CHAIN SAW MODEL 26LCS

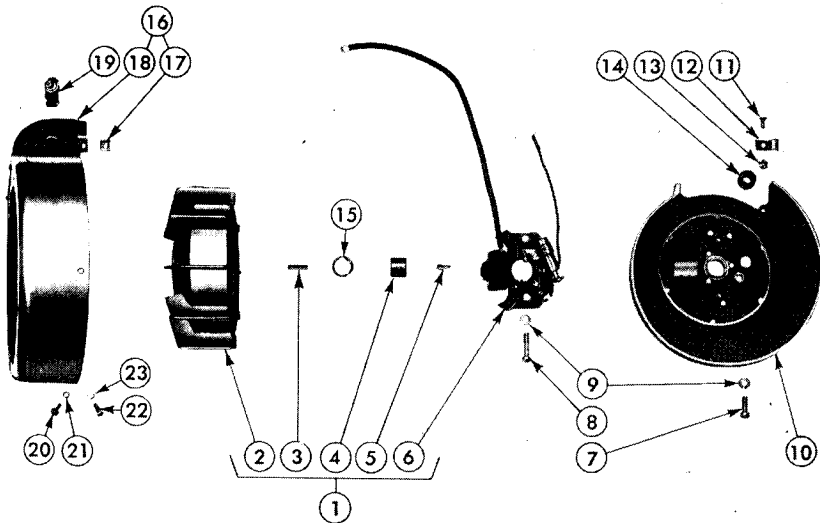


Figure 2—Ignition and Air Shroud Parts

Index No.	Part No.	Nomenclature	Units Per Ass'y
1	AA-72124	Magneto Assembly .....	1
		Composed of	
2	72129	Rotor—Magneto .....	1
3	19797	Key—Rotor .....	1
4	72126	Cam .....	1
5	71349	Key—Cam .....	1
6	AA-72394	Stator Plate Assembly (See Figure 3 for breakdown) .....	1
7	80055	Screw—Fil. hd., ¼-20 x ¾" .....	1
8	80161	Screw—Fil. hd., ¼-20 x 1 ⅛" .....	2
9	83009	Washer—Lock, ¼" .....	3
10	71989-A	Plate—Back .....	1
11	80031	Screw—Flat hd., 10-32 x ½" .....	1
12	72133	Clamp .....	1
13	81109	Nut—Flex lock, 10-32 .....	1
14	71488	Grommet .....	1
15	60407	Washer—Spring .....	1
16	AA-72393	Air Shroud Assembly .....	1
		Composed of	
17	81094	Nut—Speed .....	2
18	*	Shroud—Air .....	1
	71556	Decalcomania—Homelite .....	1
19	AA-72094	Taggle Switch Assembly .....	1
20	72259	Stud—Fastener .....	1
21	81009	Nut—Hex, 8-32 .....	1
22	80157	Screw—Rd. hd., 10-32 x ½" .....	3
23	83006	Washer—Lock, #10 .....	3

\*Not sold separately.

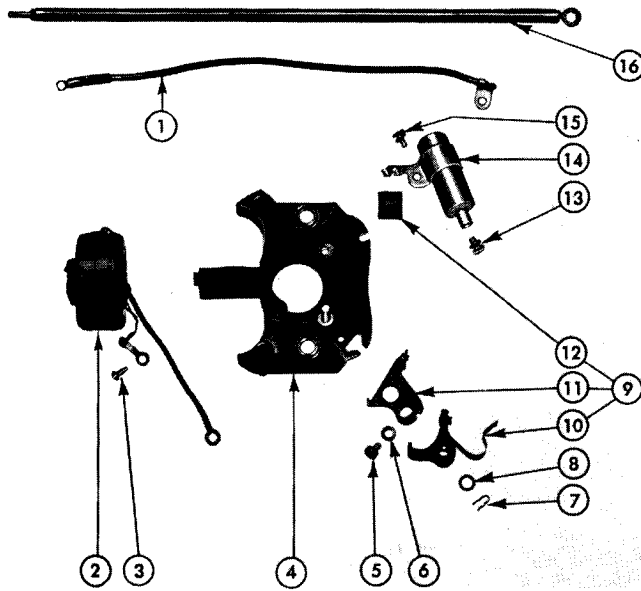


Figure 3—Stator Plate Parts

Index No.	Part No.	Nomenclature	Units Per Ass'y
	AA-72394	Stator Plate Assembly .....	1
		Composed of	
1	AA-72399	Toggle Switch Lead Assembly .....	1
2	72397	Coil—Magneto .....	1
3	72485	Screw—Ground .....	1
4	72395	Group—Stator .....	1
5	72486	Screw and Washer Assembly .....	1
6	72484	Washer—Contact plate .....	1
7	28008	Lock—Spring .....	1
8	30268	Washer—Breaker arm .....	1-2
9	72398	Set of Points .....	1
		Composed of	
10	*	Breaker Arm Assembly .....	1
11	*	Contact Plate Assembly .....	1
12	30267	Wick—Felt .....	1
13	72486	Screw and Washer Assembly .....	1
14	72396	Condenser—Magneto .....	1
15	72486	Screw and Washer Assembly .....	1
16	AA-72400	High Tension Lead Assembly .....	1

\*Not sold separately.

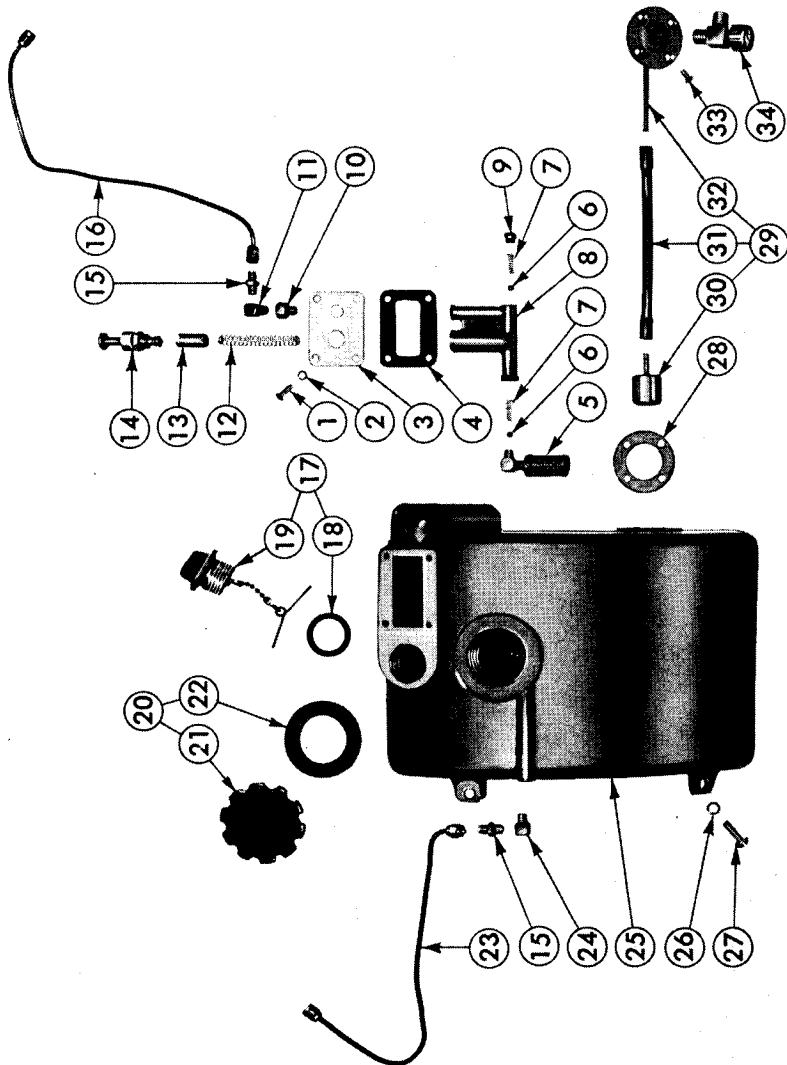


Figure 4—Fuel Tank and Pressure Lubricator Parts

## FUEL TANK AND PRESSURE LUBRICATOR PARTS (See Figure 4)

Index No.	Part No.	Nomenclature	Units	
			Per	Ass'y
1	80261	Screw—Rd. hd., 6-32 x 3/8"		4
2	83004	Washer—Lock #6		4
3	71550	Cover—Lubricator		1
4	71551	Gasket—Lubricator cover		1
	AA-72177	Pressure Lubricator Assembly		1
		Composed of		
5	AA-72178	Tube and Screen Assembly		1
6	25527-1	Ball—Check		2
7	71760	Spring—Check		2
8	71761	Body—Lubricator		1
9	71759	Screw—Plug		1
10	71765	Adapter—Connector		1
11	31734	Connector—Elbow, 90°		1
12	71762	Spring—Plunger		1
13	71763	Tube—Plunger		1
14	71764	Plunger Button Assembly		1
15	31733-1	Adapter—Straight		2
16	AA-72444	Oil Line Assembly		1
17	AA-71655	Oil Filler Cap with Gasket Assembly		1
		Composed of		
18	72280	Gasket—Oil filler cap		1
19	AA-71553	Oil Filler Cap Assembly		1
20	AA-72172	Fuel Filler Cap with Gasket Assembly		1
		Composed of		
21	*	Fuel Filler Cap Assembly		1
22	72173	Gasket—Fuel filler cap		1
23	AA-72131	Pressure Line Assembly		1
24	AA-72127	Elbow Connector Assembly		1
25	AA-72168	Fuel Tank with Decalcomania Assembly		1
26	83006	Washer—Lock, #10		3
27	80462	Screw—Rd. hd., 10-32 x 3/8"		3
28	72174	Gasket—Outlet fitting		1
29	AA-72104	Outlet Fitting Assembly		1
		Composed of		
30	AA-72108	Outlet Strainer Assembly		1
31	72107-A	Sleeve—Flexible		1
32	AA-72475	Outlet Fitting and Tube Assembly		1
33	80451	Screw—Flat hd., 6-32 x 3/8"		4
34	72175	Cock—Shut-off		1

\*Not sold separately.

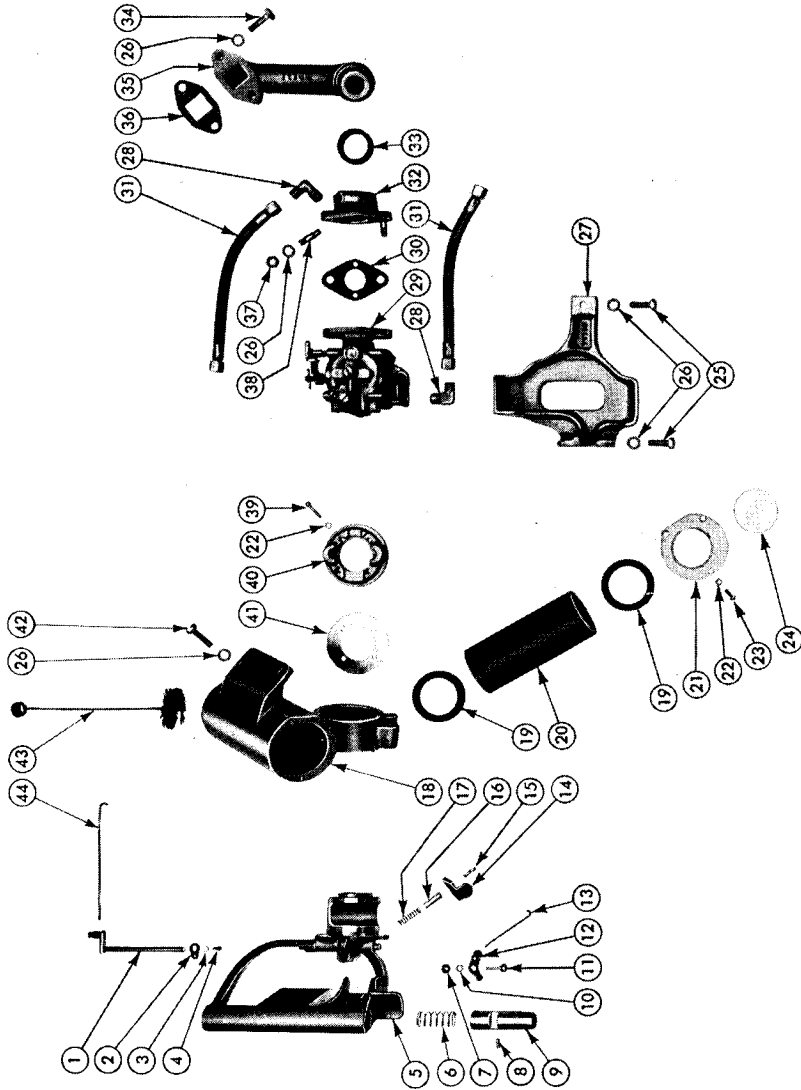


Figure 5—Swivel Handle Parts



## SWIVEL HANDLE PARTS (See Figure 5)

Index No.	Part No.	Nomenclature	Units Per Ass'y
1	AA-72162	Throttle Shaft Assembly .....	1
2	72165	Link—Throttle shaft, right .....	1
3	83008	Washer—Lock, #4 .....	1
4	80006	Screw—Rd. hd., 4-36 x 1/4" .....	1
5	AA-72158	Swivel Handle Sub-Assembly .....	1
		Composed of	
	*	Handle—Swivel .....	1
	AA-71768	Throttle Lock Parts .....	1
6	71404	Spring—Throttle button .....	1
7	81054	Nut—Hex, 5-40 .....	1
8	80483	Screw—Throttle button .....	1
9	72160	Button—Throttle .....	1
10	84059	Washer—Brass, #5 .....	1
11	71320	Screw—Throttle lever .....	1
12	AA-71424-1	Throttle Lever Assembly .....	1
		Composed of	
	*	Lever—Throttle .....	1
	80465	Screw—Rd. hd., 6-32 x 1/4" .....	1
13	72161	Rod—Throttle, right .....	1
14	72383	Lever—Indexing .....	1
15	71643	Pin—Groove .....	1
16	71383	Plunger—Indexing lever .....	1
17	19748	Spring—Indexing lever .....	1
18	AA-72150	Swivel Handle Bracket Sub-Assembly .....	1
	AA-72479	Air Filter and Gasket Assembly .....	1
		Composed of	
19	72153	Gasket—Air filter .....	2
20	72154	Element—Air filter .....	1
21	72155	Cover—Air filter .....	1
22	83004	Washer—Lock, #6 .....	7
23	80261	Screw—Rd. hd., 6-32 x 3/8" .....	3
24	72157	Button—Plug .....	1
25	80218-1	Screw—Hex hd., 1/4-20 x 3/4" .....	2
26	83009	Washer—Lock, 1/4" .....	9
27	71795-B	Guard—Carburetor .....	1
28	S-740-1	Elbow—90° .....	2
29	AA-72146	Carburetor with Spacer Assembly (See Fig. 6 for breakdown) .....	1
30	71155	Gasket—Carburetor flange .....	1
31	72310	Line—Flexible fuel .....	2
32	71793	Flange—Carburetor swivel .....	1
33	71408-A	*Gasket—Carburetor swivel flange .....	1
34	80218	Screw—Hex hd., 1/4-20 x 3/4" .....	2
35	71758	Manifold—Intake .....	1
36	71154	Gasket—Intake manifold flange .....	1
37	81013	Nut—Hex, 1/4-20 .....	2
38	27464	Stud .....	2
39	80461	Screw—Rd. hd., 6-32 x 5/8" .....	4
40	71298-A	Plate—Swivel handle .....	1
41	71403	Shim—Swivel handle .....	1
42	80181-1	Bolt—Hex hd., 1/4-20 x 7/8" .....	2
43	AA-72260	Air Filter Brush Assembly .....	1
44	72180	Rod—Throttle, left .....	1

\*Not sold separately.

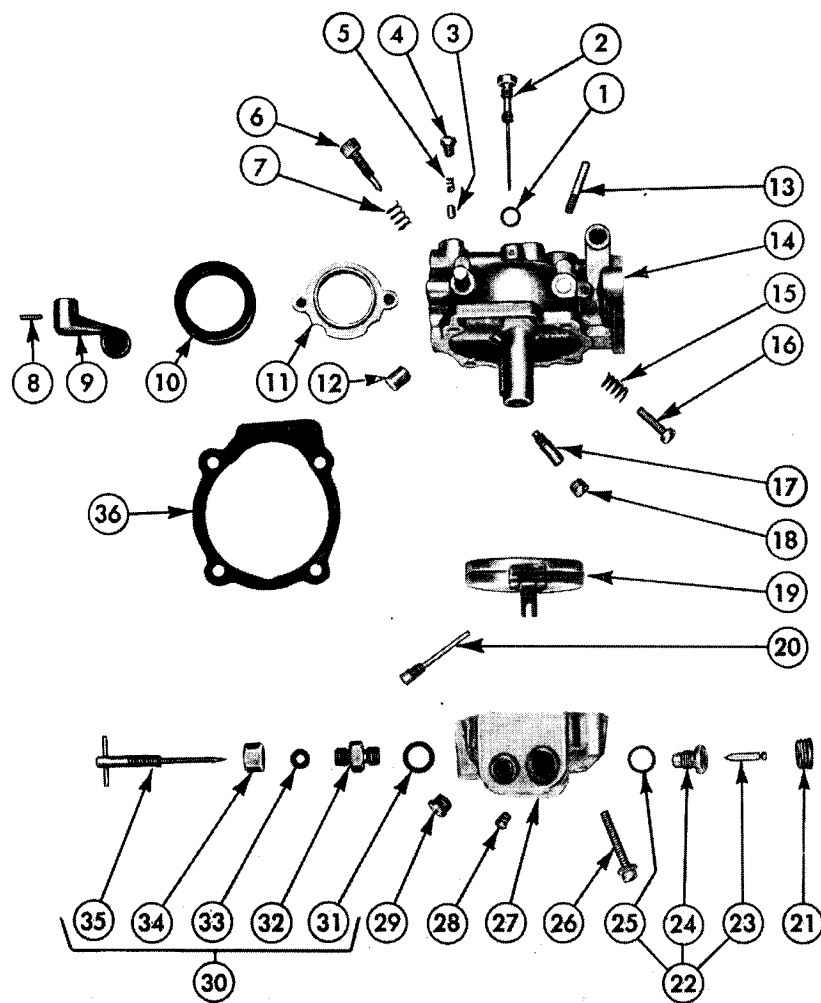


Figure 6—Carburetor Parts

## CARBURETOR PARTS (See Figure 6)

Index No.	Part No.	Nomenclature	Units Per Ass'y
	AA-72146	Carburetor with Spacer Assembly .....	1
		Composed of	
1	72403	Gasket—Idle by-pass tube .....	1
2	72402	Idle By-Pass Tube Assembly .....	1
3	71494	Pin—Choke friction .....	1
4	71496	Screw—Choke friction pin .....	1
5	71495	Spring—Choke friction pin .....	1
6	71507	Screw—Idle mixture adjustment .....	1
7	71508	Spring—Idle mixture adjustment screw .....	1
	AA-72401	Body—Service (upper half) .....	1
		Composed of	
8	28102	Pin—Choke lever .....	1
9	71497	Lever—Choke .....	1
10	71408-A	Gasket—Carburetor swivel flange .....	1
11	71299-A	Spacer—Carburetor .....	1
12	72342	Plug—Felt .....	2
13	28126	Pin—Throttle stop .....	1
14	*	Body—Upper half .....	1
15	28064	Spring—Idle stop screw .....	1
16	71509	Screw—Idle stop .....	1
	*	Plugs	
	*	Pins—Stop	
	*	Tube—Bleed	
	*	Shaft—Choke .....	1
	*	Shutter—Choke .....	1
	*	Screw—Choke shutter .....	1
	*	Throttle Shaft Assembly .....	1
	*	Shutter—Throttle .....	1
	*	Screw—Throttle shutter .....	1
	*	Spring—Throttle return .....	1
17	72404	Nozzle—Main .....	1
18	71516	Screw—Nozzle channel plug .....	1
19	31855	Float .....	1
20	71503	Screw—Float lever pinion .....	1
21	71506	Screw—Float bowl plug (large) .....	1
22	31854	Inlet Needle and Seat Assembly with Gasket .....	1
		Composed of	
23	*	Needle—Inlet .....	1
24	*	Seat—Inlet .....	1
25	71513	Gasket—Inlet needle and seat .....	1
26	71493	Screw with Lockwasher Assembly .....	4
27	71504	Bowl—Float .....	1
28	71505	Screw—Float bowl drain (small) .....	1
29	28068	Screw—Float bowl plug (medium) .....	1
30	AA-31856	Main Adjustment Screw Assembly .....	1
		Composed of	
31	28055	Gasket—Main adjustment screw .....	1
32	28057	Gland—Main adjustment screw .....	1
33	15037	Packing—Gland .....	1
34	28058	Nut—Main adjustment screw .....	1
35	31853	Screw—Main adjustment .....	1
36	71492	Gasket—Float bowl cover .....	1

\*Not sold separately.

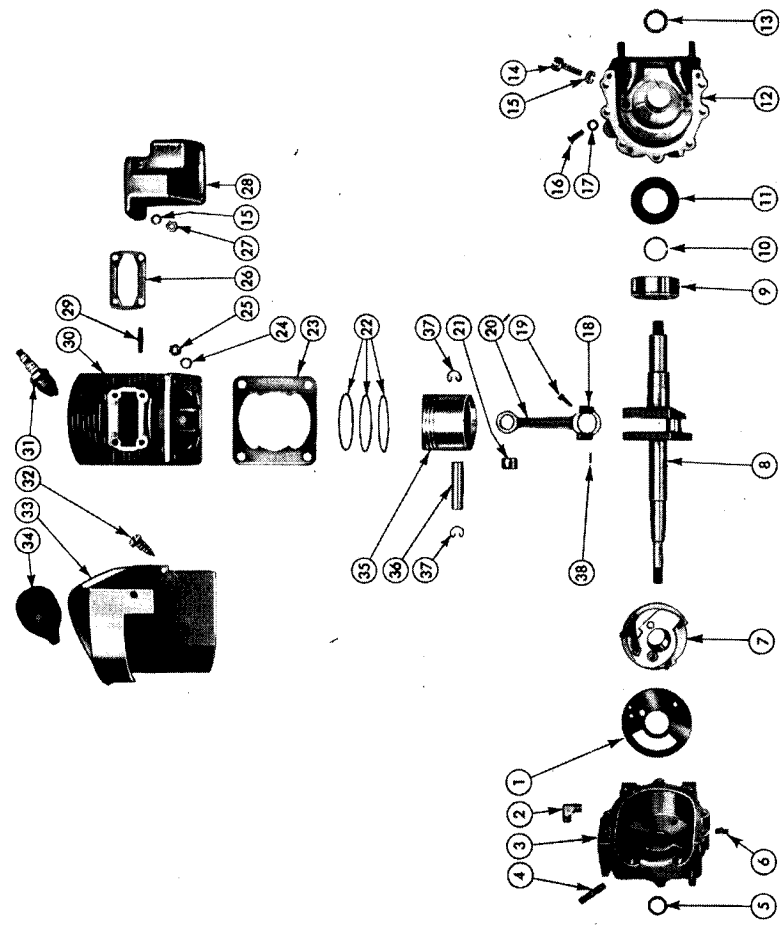


Figure 7—Engine Parts

## ENGINE PARTS (See Figure 7)

Index No.	Part No.	Nomenclature	Units	
			Per	Ass'y
	A-72116	Crankcase Assembly—Front half .....		1
		Composed of		
1	71052-1	Plate—Intake valve .....		1
2	S-740-1	Elbow—90° .....		1
3	*	Crankcase—Front half .....		1
4	25411	Stud—Cylinder .....		2
5	71110	Seal—Garlock .....		1
6	31733-2	Adapter—Straight .....		1
	*	Pin—Dowel .....		2
7	A-6035	Governor Assembly .....		1
8	72014-4	Crankshaft .....		1
9	71164-A	Bearing—Main, ND45505 .....		1
10	50033	Ring—Main bearing retaining .....		1
11	71106	Gasket—Crankcase sealing .....		1
	AA-72405	Crankcase Assembly—Rear half .....		1
		Composed of		
12	*	Crankcase—Rear half .....		1
13	72413	Seal—Garlock .....		1
	25411	Stud—Cylinder .....		2
	*	Pin—Dowel .....		5
14	80181-1	Bolt—Hex hd., ¼-20 x 7/8" .....		7
15	83009	Washer—Lock, ¼" .....		10
16	19238-A	Screw—Main bearing retaining .....		2
17	83061	Washer—Lock, special thin .....		2
	AA-72312	Connecting Rod Assembly .....		1
		Composed of		
18	*	Cap—Connecting rod .....		1
19	80492	Screw—Allen cap, 10-32 x ½" .....		2
20	*	Rod—Connecting .....		1
21	72311	Bearing—Piston pin .....		1
22	72039	Ring—Piston .....		3
23	71124	Gasket—Cylinder .....		1
24	83042	Washer—Lock, 5/16" .....		4
25	25412	Nut—Hex, 5/16-24 .....		4
26	50335-A	Gasket—Exhaust .....		1
27	81065	Nut—Hex, ¼-28 .....		3
28	71948-A	Muffler .....		1
	A-72121	Cylinder Assembly with Studs .....		1
		Composed of		
29	71304	Stud—Manifold .....		3
30	AA-72372	Cylinder Assembly with Helicoil .....		1
		Composed of		
	*	Cylinder .....		1
	72122	Insert—Helicoil .....		1
31	72283	Spark Plug with Gasket .....		1
	25038	Gasket—Spark plug .....		1
32	80523	Screw—Sheet metal, #8 binder .....		2
33	72015-A	Shield—Cylinder .....		1
34	72138	Cover—Spark plug .....		1
	AA-72406	Piston and Pin Assembly with Retainers .....		1
		Composed of		
35	*	Piston .....		1
36	*	Pin—Piston .....		1
37	25502	Ring—Piston pin retaining .....		2
	AA-72206	Set of Needle Rollers .....		1
		Composed of		
38	72256	Roller—Needle .....		31

\*Not sold separately.

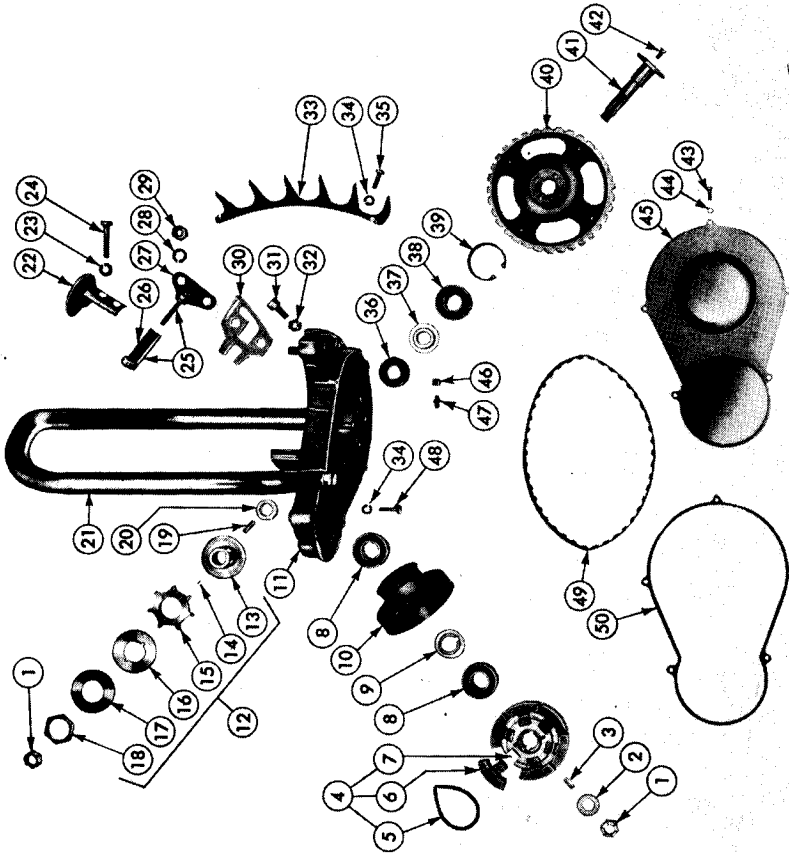


Figure 8-Drive Case Parts

## DRIVE CASE PARTS (See Figure 8)

Index No.	Part No.	Nomenclature	Units Per Ass'y
1	81101	Nut—Flexloc, 1/2-20 .....	2
2	71193-A	Washer—Flat, 1/2" .....	1
3	30449	Key—Clutch, 3/16" sq. x 7/16" .....	2
4	AA-72020	Clutch Assembly .....	1
		Composed of	
5	72019	Spring—Clutch .....	2
6	72018	Shoe—Clutch .....	6
7	72017	Spider—Clutch .....	1
8	71451	Bearing—Clutch drum, N.D. 77R12 .....	2
9	72016	Spacer—Clutch drum bearing .....	1
10	AA-71960	Clutch Sprocket and Drum Assembly .....	1
11	†AA-72474	Drive Case Assembly .....	1
		Composed of	
	*	Drive Case Sub-Assembly .....	1
	30679	Stud—Guide bar .....	2
12	AA-72325	HOMELITE Chain Drive Slipper Sprocket .....	1
	AA-72326	COX Chain Drive Slipper Sprocket .....	1
		Composed of	
13	71972-A	Hub—Sprocket .....	1
14	71973-A	Pin—Sprocket .....	2
15	71958	Insert—HOMELITE sprocket .....	1
	72254	Insert—COX sprocket .....	1
16	71974-A	Flange—Sprocket .....	1
17	71970	Spring—Sprocket .....	1
18	71975-B	Nut—Sprocket .....	1
19	71374	Key—Sprocket, 3/16" sq. x 11/16" .....	1
20	†71820-A	Spacer—Chain drive sprocket .....	1
21	AA-72034	Handle Bar Assembly .....	1
22	72223	Guard—Handle bar .....	1
23	83003	Washer—Lock, 5/16" .....	4
24	80463	Screw—Hex hd. alum., 5/16-18 x 1 1/2" .....	4
25	AA-72184	Adjusting Plate Assembly with Bracket .....	1
		Composed of	
26	71946-A	Bracket—Adjusting .....	1
27	AA-72407	Adjusting Plate and Screw Assembly .....	1
28	83018	Washer—Lock, 3/8" .....	2
29	81089	Nut—Hex, 3/8-16 .....	2
30	72374	Shim—Guide bar .....	1
31	72268	Guide Bar Key and Stud Assembly .....	1
32	81096	Nut—Lock, 5/16-18 .....	1
33	72021-A	Plate—Spiked bumper .....	1
34	83009	Washer—Lock, 1/4" .....	6
35	80181-1	Screw—Hex hd., 1/4-20 x 7/8" .....	2
36	†72238	Bearing—Sprocket shaft, small .....	1
37	†71819-A	Spacer—Sprocket shaft bearing .....	1
38	71451	Bearing—Sprocket shaft, large .....	1
39	31080	Ring—Retaining .....	1
40	71754	Pulley—Sprocket .....	1
41	†71817-A	Shaft—Sprocket .....	1
42	80031	Screw—Flat hd., 10-32 x 1/2" .....	4
43	80022	Screw—Fil. hd., 8-32 x 1/2" .....	5
44	83000	Washer—Lock, #8 .....	5
45	71746-B	Cover—Drive case .....	1
46	31734	Connector—Elbow .....	1
47	31733-1	Adapter—Straight .....	1
48	80218-1	Screw—Hex hd., 1/4-20 x 3/4" .....	4
49	71270	Belt—Drive .....	1
50	72195	Gasket—Drive case cover .....	1

†Note: For saws below Serial No. 332517 order the following parts:

AA-72450	Drive Case Assembly
71820	Spacer—Chain drive sprocket
72040	Bearing—Sprocket shaft, small
71819	Spacer—Sprocket shaft bearing
71817	Shaft—Sprocket

\*Not sold separately.

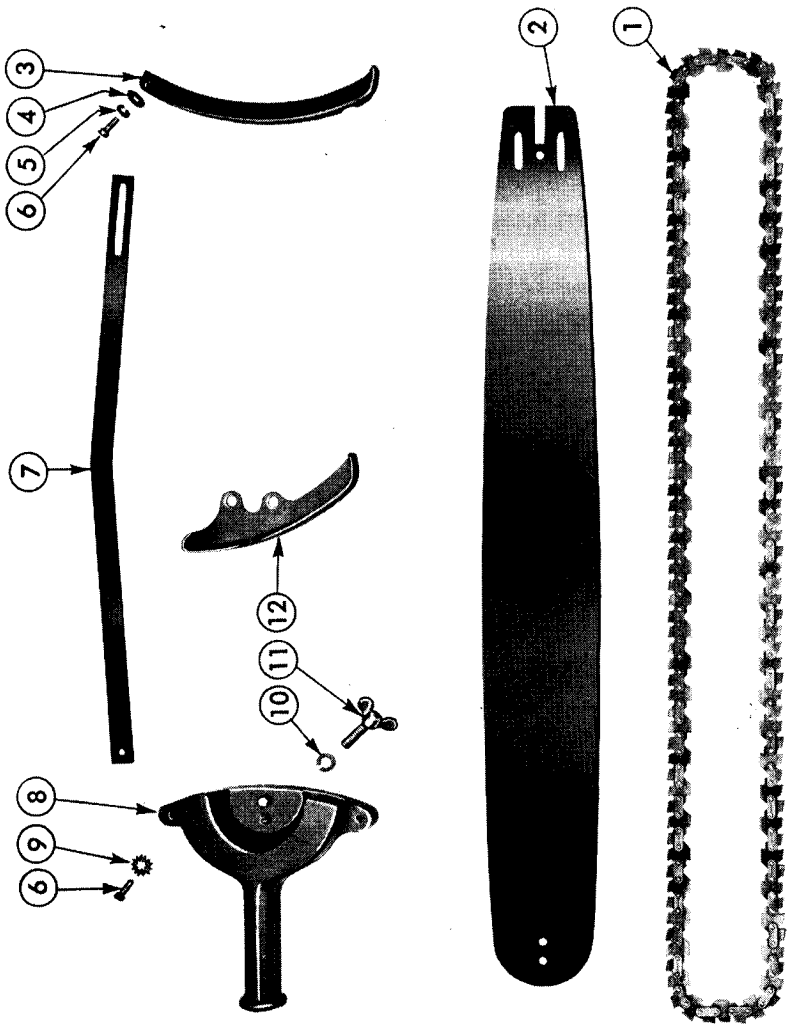


Figure 9-18", 23", 28", 30", and 34" Saw Parts



18", 23", 28", 30", and 34" SAW PARTS (See Figure 9)

Index No.	Part No.	Nomenclature	Units Per Assy
1	AA-32527	34" Homelite Chain with Kit .....	1
	AA-32526	30" Homelite Chain with Kit .....	1
	AA-72416	28" Homelite Chain with Kit .....	1
	AA-32525	23" Homelite Chain with Kit .....	1
	AA-72424	18" Homelite Chain with Kit .....	1
	AA-72611	34" Homelite Oregon Chain with Kit .....	1
	AA-72610	30" Homelite Oregon Chain with Kit .....	1
	AA-72609	28" Homelite Oregon Chain with Kit .....	1
	AA-72608	23" Homelite Oregon Chain with Kit .....	1
2	AA-72607	18" Homelite Oregon Chain with Kit .....	1
	72437	34" Guide Bar .....	1
	AA-72409	28" Guide Bar .....	1
	AA-72330	23" Guide Bar .....	1
	AA-72410	18" Guide Bar .....	1
	*AA-72458	34" Two Man Conversion Kit .....	1
	*AA-72457	30" Two Man Conversion Kit .....	1
	*AA-72456	28" Two Man Conversion Kit .....	1
	*AA-72455	23" Two Man Conversion Kit .....	1
		Composed of	
	AA-72344	Plain Bumper Plate Assembly .....	1
		Composed of	
	3	72090	Plate—Plain bumper .....
4	84004	Washer—Flat, 1/4" .....	1
5	83009	Washer—Lock, 1/4" .....	1
6	80045	Screw—Fil. hd., 1/4-20 x 1/2" .....	1
7	*71693	34" Chain Guard .....	1
	*72093	30" Chain Guard .....	1
	*72419	28" Chain Guard .....	1
	*72092	23" Chain Guard .....	1
	AA-72343	Helper's End Assembly .....	1
	Composed of		
8	AA-72345	Helper's End Handle with Pin .....	1
9	83045	Washer—Lock, 1/4", int.-ext. ....	1
	80045	Screw—Fil. hd., 1/4-20 x 1/2" .....	1
10	83018	Washer—Lock, 3/8" .....	1
11	80488	Screw—Thumb, 3/8-16 x 1" .....	1
12	72270	Shoe—Bumper .....	1

\*Note: Order the proper size to fit your Chain Saw.  
30" Guide Bar no longer available.

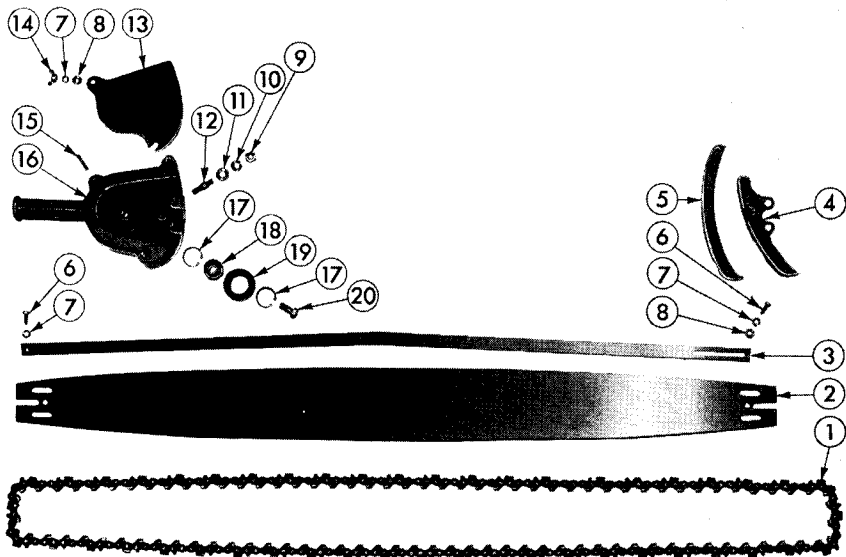


Figure 10—42" Saw Parts

Index No.	Part No.	Nomenclature	Units Per Ass'y
1	AA-72612	42" Homelite Oregon Chain with Kit .....	1
2	72222	42" Guide Bar .....	1
3	72271	42" Chain Guard .....	1
4	72270	Shoe—Bumper .....	1
	AA-72344	Plain Bumper Plate Assembly .....	1
		Composed of	
5	72090	Plate—Plain bumper .....	1
6	80045	Screw—Fil. hd., 1/4-20 x 1/2" .....	1
7	83009	Washer—Lock, 1/4" .....	1
8	84004	Washer—Flat, 1/4" .....	1
	AA-72351	Helper's End Assembly .....	1
		Composed of	
9	81089	Nut—Hex, 3/8-16 .....	2
10	83018	Washer—Lock, 3/8" .....	2
11	84010	Washer—Flat, 3/8" .....	2
12	30327	Stud—Guide bar .....	2
13	72237	Cover—Helper's end .....	1
	84004	Washer—Flat, 1/4" .....	2
	83009	Washer—Lock, 1/4" .....	3
14	81003	Nut—Wing, 1/4-20 .....	2
15	26304	Stud, 1/4-20 .....	2
16	AA-72476	Handle Sub Assembly with Pin .....	1
	AA-72232	Idler Wheel Assembly .....	1
		Composed of	
17	71726	Ring—Snap .....	2
18	72204	Bearing—Ball, N.D. 77500 .....	1
19	72213	Wheel—Idler .....	1
20	72227	Screw—Idler wheel .....	1
	80045	Screw—Fil. hd., 1/4-20 x 1/2" .....	1

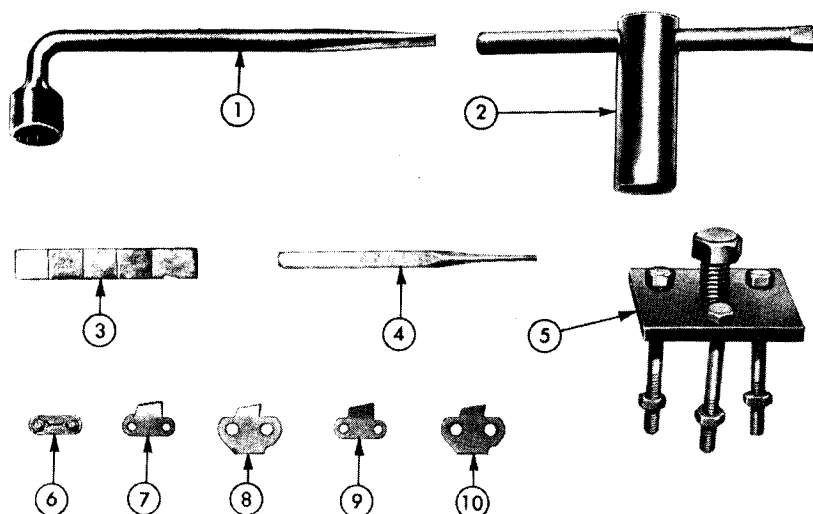


Figure 11—Service Parts and Tool Kit

Index No.	Part No.	Nomenclature	Units Per Ass'y
1	22183	Wrench—Socket, $\frac{5}{8}$ "	1
2	22719	Wrench—Socket, spark plug (without handle)	1
3	31247	Gauge—Clearance	1
4	31249	Punch—Pin	1
5		(Sold only as Special Service Tool)	
	AA-31246	Chain Repair Kit for Homelite Chain	1
		Composed of	
6	AA-31735	Connecting Link and Rivet Assembly	6
7	29501-1	Cutter—Right	3
8	29502-1	Raker—Right	1
9	29501-2	Cutter—Left	3
10	29502-2	Raker—Left	1
	AA-72594	Chain Repair Kit for Homelite Oregon Chain	1
		Composed of	
	72597-1	Cutter—Right	1
	72597-2	Cutter—Left	1
	72595	Plain Tie Strap	2
	AA-72598	Tie Strap with Rivets	2
	72661	Rivet	4
	72596	Drive Link	1

# HOMELITE *Carryable* PRODUCTS

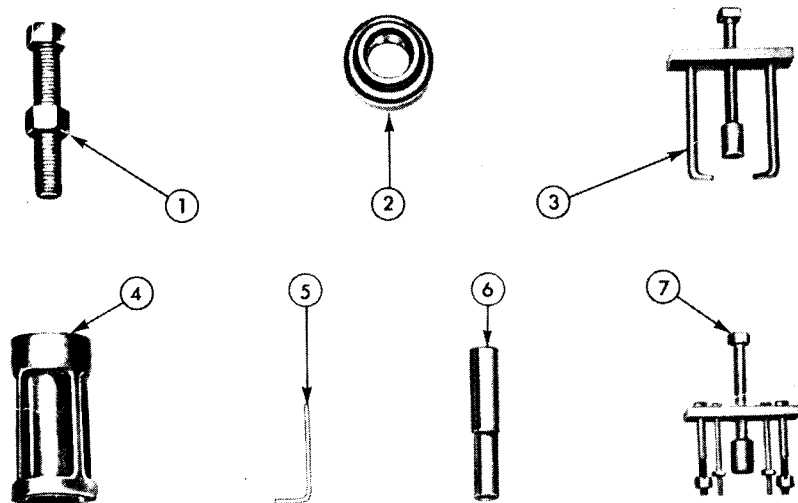


Figure 12—Special Service Tools

Index No.	Part No.	Nomenclature	Units Per Ass'y
1	AA-22680	Jackscrew Assembly .....	1
2	22678	Adapter—Assembly Fixture .....	1
3	AA-22592	Puller—Clutch drum bearing .....	1
4	AA-22557	Assembly Fixture .....	1
5	22126	Key—Allen, 5/32" .....	1
6	22692	Remover—Bearing .....	1
7	AA-22577	Clutch and Clutch Drum Puller .....	1
	AA-22560	Magneto Rotor Puller (See Figure 11—No. 5) .....	1

**HOMELITE CORPORATION • PORT CHESTER, N.Y., U.S.A.**  
 Printed in U.S.A.

EMPIRE 15M-3-53