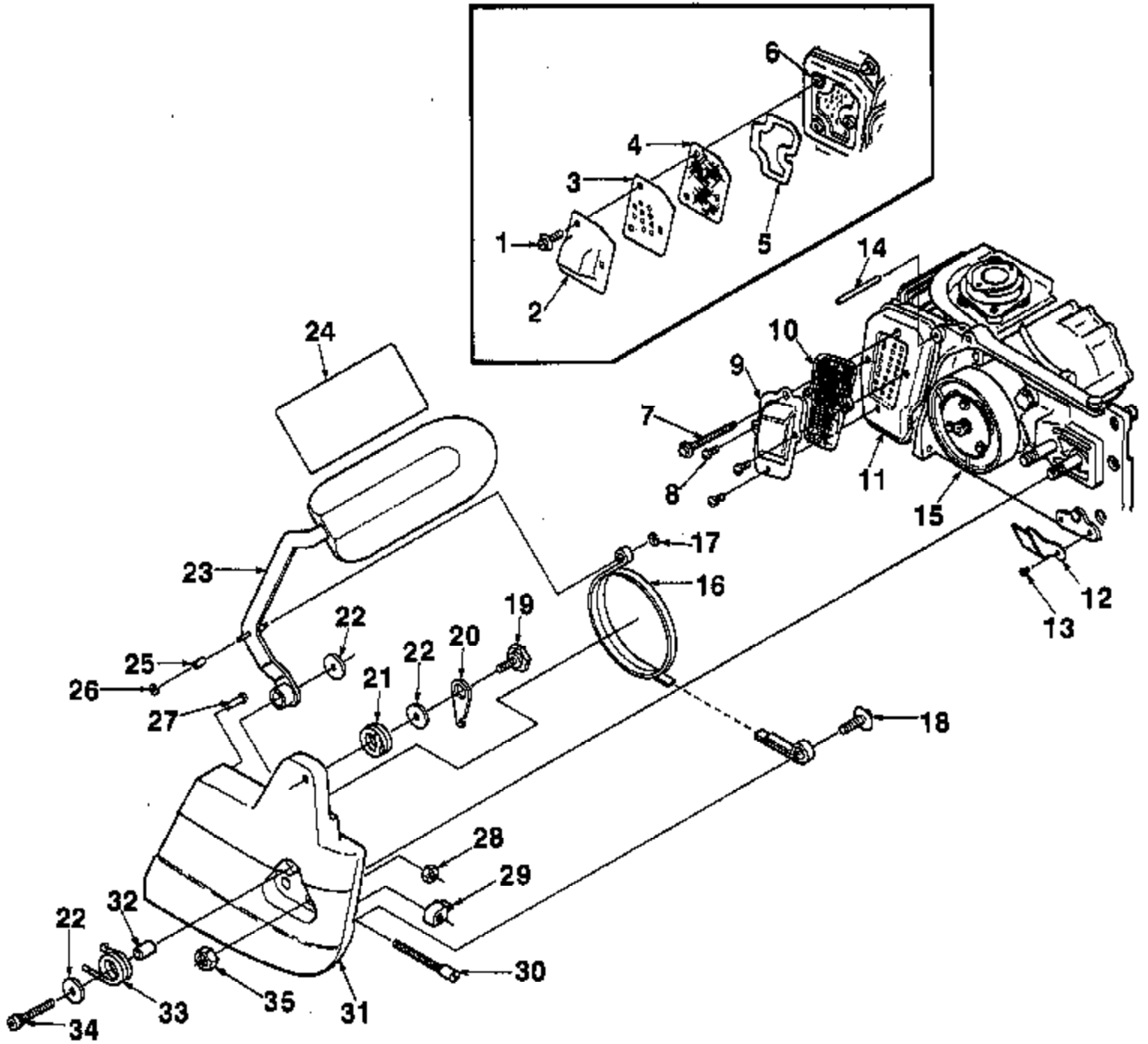
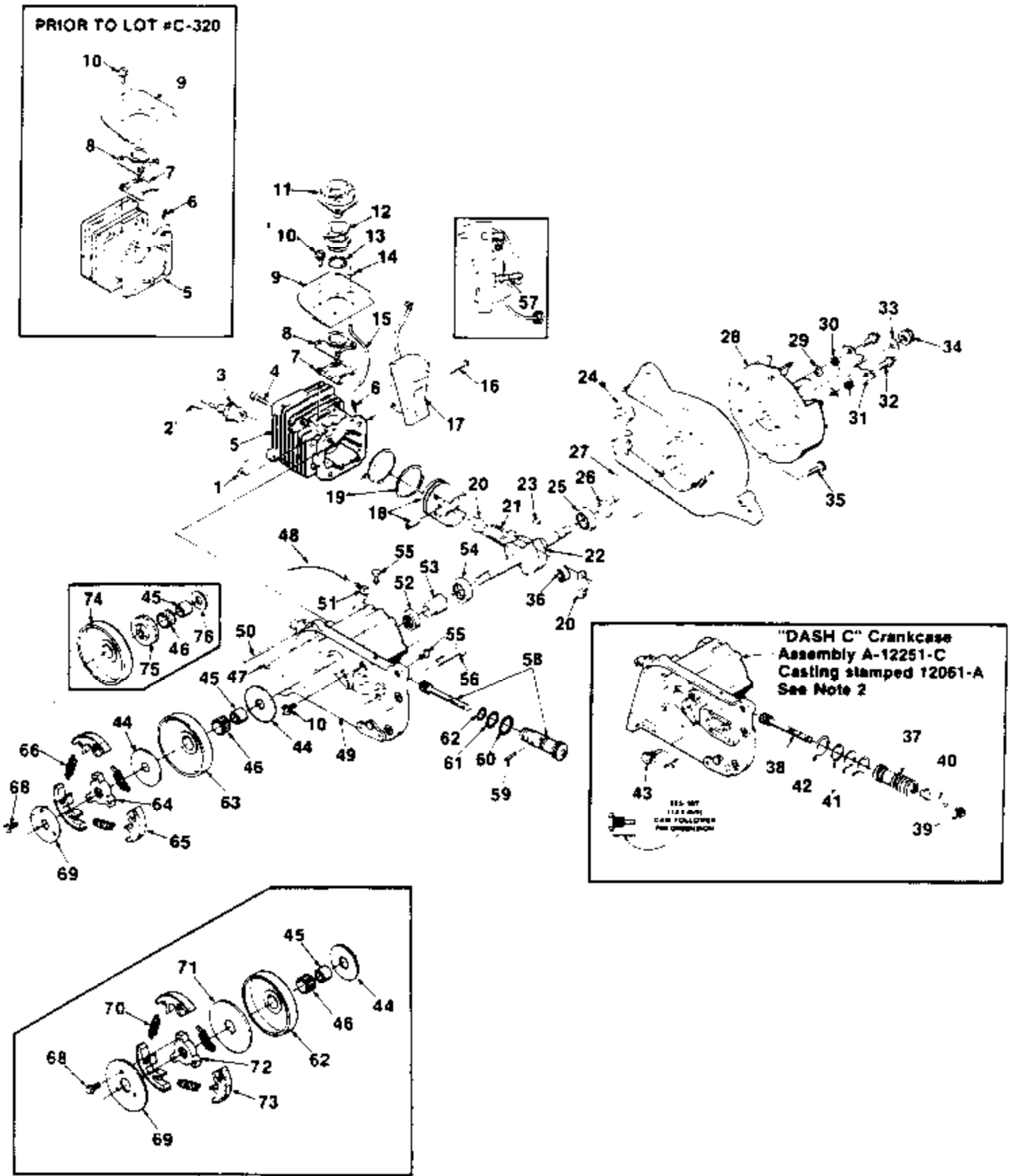


| Ref # | Part Number | Qty | Description            |
|-------|-------------|-----|------------------------|
| 1     | 93205A      | 1   | Repair Kit             |
| 2     | 93205A      | 1   | Repair Kit             |
| 3     | 93205A      | 1   | Repair Kit             |
| 4     | 93205A      | 1   | Repair Kit             |
| 5     | 93205A      | 1   | Repair Kit             |
| 6     | 93205A      | 1   | Repair Kit             |
| 7     | 93205A      | 1   | Repair Kit             |
| 8     | 93205A      | 1   | Repair Kit             |
| 9     | 93205A      | 1   | Repair Kit             |
| 10    | 93205A      | 1   | Repair Kit             |
| 11    | 93205A      | 1   | Repair Kit             |
| 12    | 93205A      | 1   | Repair Kit             |
| 13    | 93205A      | 1   | Repair Kit             |
|       | 93754       | 1   | Gasket/Diaphragm Kit   |
| 14    | 93205A      | 1   | Repair Kit             |
|       | 93754       | 1   | Gasket/Diaphragm Kit   |
| 15    | 93205A      | 1   | Repair Kit             |
|       | 93754       | 1   | Gasket/Diaphragm Kit   |
| 16    | 93205A      | 1   | Repair Kit             |
|       | 93754       | 1   | Gasket/Diaphragm Kit   |
| 17    | 93205A      | 1   | Repair Kit             |
|       | 93754       | 1   | Gasket/Diaphragm Kit   |
| 18    | 93910A      | 1   | Check Valve Repair Kit |

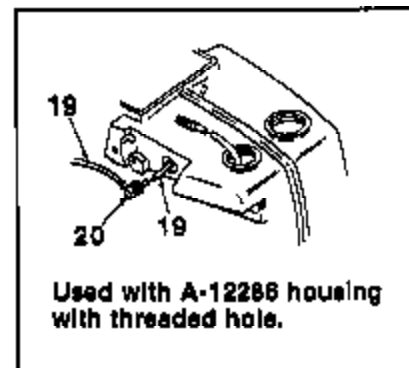
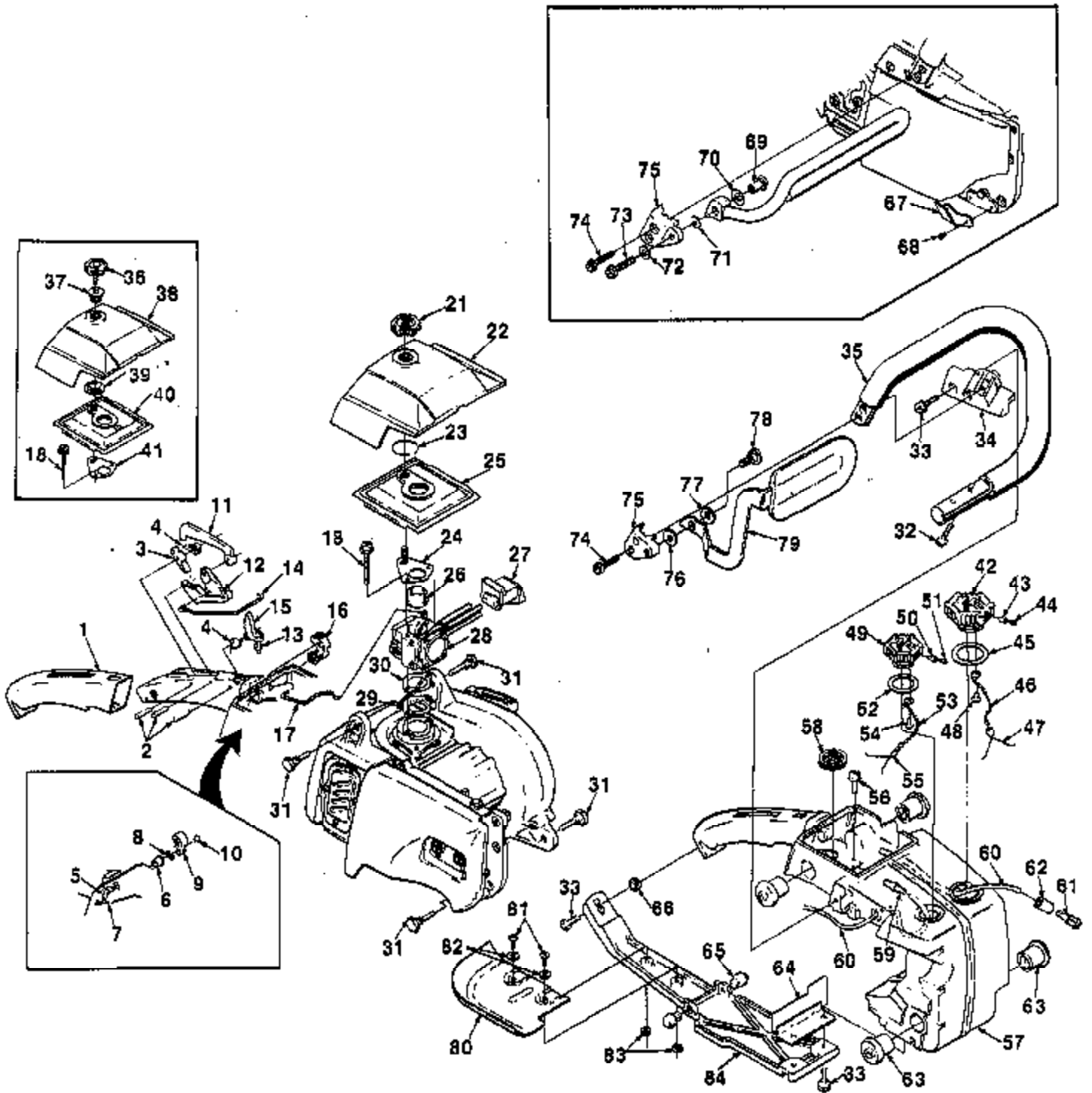


| Ref # | Part Number | Qty | Description   |
|-------|-------------|-----|---|
| 1     | 88041       | 3   | SCREW- Hex sems, 8-32 x 3/8 (prior to lot #C-320)       |
| 2     | 121951      | 1   | PLATE- Muffler exhaust (prior to lot #C-320)            |
| 3     | 12119       | 1   | BAFFLE (prior to lot#C-320)                             |
| 4     | D12270B     | 1   | ARRESTOR- Spark (accessory) prior to lot #C-320)        |
| 5     | 12173       | 1   | GASKET- Exhaust plate (prior to lot #C-320)             |
| 6     | A12265      | 1   | MUFFLER (prior to lot #C-320)                           |
|       | 12080A      | 1   | GASKET- Muffler (shown on Fig. 2) (prior to lot #C-320) |
| 7     | 93460       | 1   | SCREW (After lot #C-320)                                |
| 8     | 82370       | 3   | SCREW (After lot #C-320)                                |
| 9     | 947951      | 1   | PLATE- Exhaust (After lot #C-320)                       |
| 10    | 94797       | 1   | SCREEN- Spark arrestor (Opt.) (After lot #C-320)        |
| 11    | 947851      | 1   | MUFFLER (After lot #C-320)                              |
| 12    | 70705       | 1   | STOP- Chain   |
| 13    | 88042       | 1   | SCREW- Hex hd. sems 8-32 x 1/2                          |
|       | A93693A     | 1   | KIT- Chain brake  |
| 14    | 64870       | 1   | PIN- Dowel (125 x 1 3/8)                                |
| 15    | A936302     | 1   | DRUM & HUB  |
| 16    | A94561      | 1   | BRAKEBAND   |
| 17    | 69599       | 1   | "E" RING  |
| 18    | 82258       | 1   | SCREW- Pan hd. 1/4-20 x 5/8                             |
| 19    | 93773       | 1   | SCREW- Shoulder   |
| 20    | 93602A      | 1   | LEVER- Locking  |
| 21    | 93600B      | 1   | SPRING- Locking lever                                   |
| 22    | 93282       | 3   | WASHER  |
| 23    | A97221A     | 1   | LEVER- Brake w/guard                                    |
| 24    | 02661       | 1   | DECAL   |
| 25    | 93625       | 1   | BEARING- Roller   |
| 26    | 70925       | 1   | "E" RING  |
| 27    | 70313       | 1   | SLEEVE- Headed  |
| 28    | 81206       | 1   | NUT- Centerlock   |
| 29    | 651121      | 1   | PIN- Guide bar adjusting                                |
| 30    | 93962       | 1   | SCREW- Guide bar adjusting                              |
| 31    | A04241      | 1   | COVER- Drivecase  |
| 32    | 93296       | 1   | SLEEVE- Lever   |
| 33    | 93603       | 1   | SPRING- Brake lever                                     |
| 34    | 804281      | 1   | SCREW- Soc cap hd.                                      |
| 35    | 81196       | 2   | NUT- Hex 5/16-18  |



| Ref # | Part Number | Qty | Description  |
|-------|-------------|-----|--|
| 1     | 12021       | 4   | WASHER   |
| 2     | 12191       | 1   | GROMMET- Spark plug  |
| 3     | 63547S      | 1   | SPARK PLUG (Champ CJ6)   |
| 4     | 82262       | 4   | SCREW- Soc. hd. cap #10-24 x 7/8   |
| 5     | A70716A     | 1   | CYLINDER (Prior to lot #C-320)   |
|       | A94781      | 1   | CYLINDER (After lot #C-320)  |
| 6     | 69833       | 1   | FITTING  |
| 7     | 70714       | 1   | GASKET- Intake adapter   |
| 8     | 70715       | 1   | MANIFOLD- Intake   |
| 9     | 121611B     | 1   | DEFLECTOR- Air (Intake)  |
| 10    | 88042       | 5   | SCREW- Hex hd. w/washer 8-32 x 1/2   |
| 11    | A70246B     | 1   | FLANGE- Carburetor connector   |
| 12    | 12048C      | 1   | CONNECTOR- Carburetor  |
| 13    | 12291       | 1   | SPRING- Garter   |
| 14    | 62740       | 1   | GROMMET  |
| 15    | 9311222     | 1   | LINE- Pulse 5 1/2"   |
| 16    | 88045       | 2   | SCREW- Hex sems 8-32 x 1 1/4   |
| 17    | 12669A      | 1   | MODULE & CORE  |
| 18    | A12257A     | 1   | PISTON & PIN   |
| 19    | 12040       | 2   | PISTON RING  |
| 20    | A120681     | 1   | ROD- Connecting  |
| 21    | 69919       | 2   | SCREW- Soc. hd. 80-32 x 9/16   |
| 22    | 120371      | 1   | CRANKSHAFT   |
| 23    | 75078       | 1   | KEY- Woodruff  |
| 24    | A12204A     | 1   | PLATE- Back  |
| 25    | 63867       | 1   | BEARING- Roller  |
| 26    | 12282A      | 1   | SEAL   |
| 27    | 58785       | 1   | O" RING  |
| 28    | 12101A      | 1   | ROTOR  |
| 29    | 83046       | 2   | WASHER- Lock #10   |
| 30    | 12055       | 2   | SPRING- Starter pawl   |
| 31    | 12056       | 2   | PAWL- Starter  |
| 32    | 65109       | 2   | STUD- Starter pawl   |
| 33    | 95479A      | 1   | WASHER- 3/8"   |
| 34    | 81255       | 1   | NUT- 3/8 - 24  |
| 35    | 88051       | 5   | SCREW- Hex sems 10-24 x 3/4  |
| 36    | A12913      | 1   | ROLLERS- Needle (Set of 25)  |
| 37    | A12201A     | 1   | PUMP- Automatic Oil  |
| 38    | A12202      | 1   | PLUNGER- Oil pump  |
| 39    | 88041       | 1   | SCREW- Hex sems 8-32 x 3/8   |
| 40    | 12141       | 1   | LEVER- Oil Adjustment  |
| 41    | 12095       | 3   | "O" RING   |
| 42    | 12155       | 1   | "O" RING   |
| 43    | A12144      | 1   | PIN & PLUG   |
| 44    | 63860       | 2   | WASHER- Thrust   |
| 45    | 65985B      | 1   | RACE- Inner  |
| 46    | 64124       | 1   | BEARING- Needle  |
| 47    | 81208       | 4   | NUT- Centerlock #10-24   |
| 48    | 9311219     | 1   | TUBING-Rubber (Oil) 4 3/4"   |
| 49    | A12251E     | 1   | CRANKCASE  |
| 50    |             | 1   | PIN- Dowel (.125 x 1.375) Install in crankcase for chain brake only Pin #14 supplied loose in SL chain brake kit and 360 service crankcase assy, not available separately. For chain brake mounting only, press pin into hole provided in crankcase boss until there is .375 (.095 MM) remaining for engagement of pin in chainbrake drivecase cover, pin is required only for c |

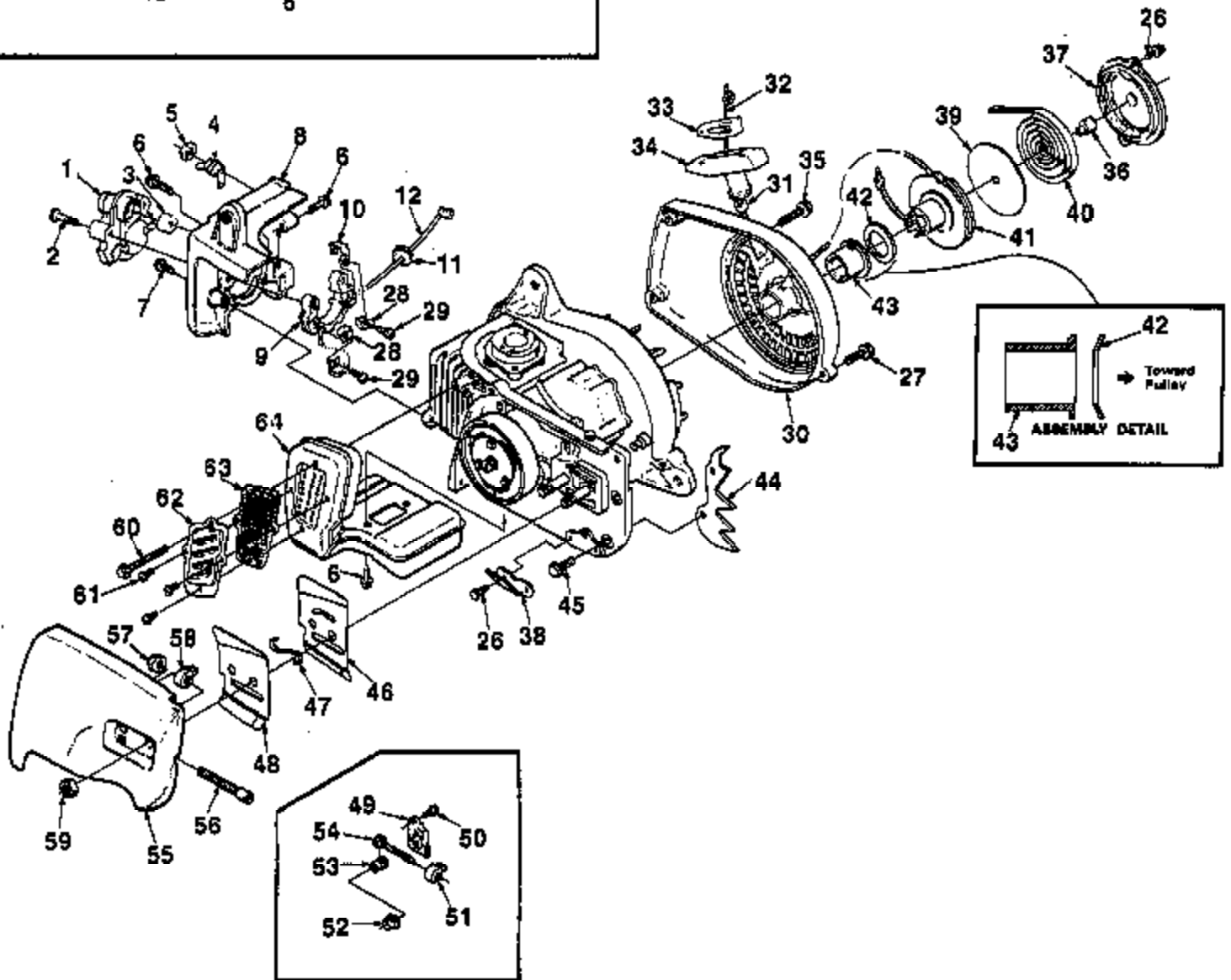
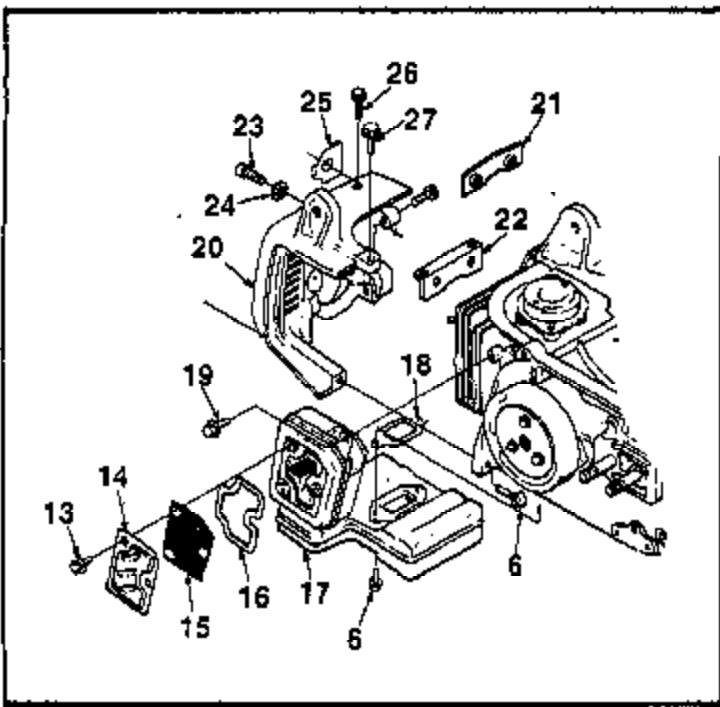
| Ref # | Part Number | Qty | Description                                  |
|-------|-------------|-----|--|
| 51    | 50558       | 1   | FITTING- Oil line                            |
| 52    | 70729       | 1   | SEAL- (Double lips)                          |
| 53    | 12071       | 1   | WORM- Gear                                   |
| 54    | 63867       | 1   | BEARING- Roller                              |
| 55    | 12096       | 2   | BUMPER                                       |
| 56    | 58753       | 2   | BOLT- Guide bar 5/16"                        |
| 57    | 12298       | 1   | CABLE TIE- Module lead                       |
| 58    | A70962      | 1   | PUMP- Automatic Oil                          |
| 59    | 70920       | 1   | PIN- Pump                                    |
| 60    | 70921       | 1   | "O" RING                                     |
| 61    | 12853       | 1   | "O" RING                                     |
| 62    | 12095       | 1   | "O" RING                                     |
| 63    | A95465      | 1   | SPROCKET & DRUM 7T, 3/8 P                    |
|       | A93867A     | 1   | KIT- Clutch conversion                       |
| 64    | 96448       | 1   | SPIDER Clutch (After lot #C-320)             |
| 65    | A96447A     | 3   | SHOE- Clutch (After lot #C-320)              |
| 66    | 96451       | 3   | SPRING- Extension (After lot #C-320)         |
|       | 96449       | 1   | COVER- Clutch (After lot #C-320)             |
| 68    | 88041       | 1   | SCREW- Hex sems 8-32 x .375                  |
| 69    | 93628       | 1   | COVER- Clutch (Prior to lot #C-320)          |
| 70    | 93638A      | 3   | SPRING- Clutch (Prior to lot #C-320)         |
| 71    | 93643       | 1   | WASHER- Thrust (Prior to lot #C-320)         |
| 72    | 93636       | 1   | SPIDER- Clutch (Prior to lot #C-320)         |
| 73    | A93632B     | 3   | SHOE- Clutch (Prior to Lot #C-320)           |
| 74    | A94302      | 1   | DRUM & HUB                                   |
| 75    | 95058A      | 1   | SPROCKET & RIM 7T 3/8 P (Primary source)     |
| 76    | 588331      | 1   | WASHER- Thrust (Inner) (Prior to Lot #C-320) |





| Ref # | Part Number | Qty | Description                            |
|-------|-------------|-----|--|
| 1     | 12049       | 1   | GRIP- Throttle handle                  |
| 2     | 70253       | 3   | PIN- Dowel                             |
| 3     | 12092       | 1   | LEVER- Trigger lock                    |
| 4     | 12051       | 2   | SPRING- Torsion                        |
| 5     | A12227      | 1   | SHAFT- Choke (prior to lot # 1054)     |
| 6     | 12147       | 1   | BUSHING (prior to lot #1054)           |
| 7     | 12149A      | 1   | ROD- Choke (prior to lot #1054)        |
| 8     | 12150       | 1   | WASHER- Wave (prior to lot #1054)      |
| 9     | 12145       | 1   | KNOB- Choke (prior to lot #1054)       |
| 10    | 88042       | 1   | SCREW- 8-32 x 1/2 (prior to lot #1054) |
| 11    | 12093       | 1   | LOCK- Trigger                          |
| 12    | A12966      | 1   | KIT- Trigger & Screw                   |
| 13    | 120941A     | 1   | SCREW- Trigger latch                   |
| 14    | 120781A     | 1   | ROD- Throttle                          |
| 15    | 120911A     | 1   | LATCH- Trigger                         |
| 16    | 94765       | 1   | KNOB- Choke (After lot #1054)          |
| 17    | 94977       | 1   | ROD- Choke (After lot #1054)           |
| 18    | 93460       | 2   | SCREW- Hex sems 10-24 x 1.75           |
| 19    | 9311219     | 2   | TUBING- Rubber (oil) 4 3/4"            |
| 20    | 12135       | 1   | FITTING- Oil line                      |
|       | A94055A     | 1   | KIT- Air filter cover                  |
| 21    | A676392     | 1   | NUT- Filter cover mtg.                 |
| 22    | 120332A     | 1   | COVER- Filter                          |
| 23    | 58319A      | 1   | RING- Retaining                        |
| 24    | A93240      | 1   | BRACKET- Mounting cover                |
| 25    | A122251     | 1   | FILTER- Air                            |
| 26    | 121091      | 1   | BUSHING- Flange                        |
| 27    | 12054       | 1   | GROMMET- HI-LOW                        |
| 28    | A97801      | 1   | CARBURETOR- (HDC-39-A)                 |
| 29    | A70923A     | 1   | BUSHING                                |
| 30    | 70743A      | 1   | GASKET                                 |
|       | A70624A     | 1   | SET- Isolator pin                      |
| 31    | 12100B      | 4   | PIN- Isolator                          |
| 32    | 82262       | 4   | SCREW- Soc. hd. 10-24 x 7/8            |
| 33    | 88051       | 3   | SCREW- Hex sems 10-24 x 3/4            |
| 34    | 120592A     | 1   | BRACKET- Handle bar                    |
| 35    | A12107A     | 1   | HANDLE BAR                             |
| 36    | A12112      | 1   | NUT- Filter cover mounting             |
| 37    | 12110       | 1   | BUSHING- Nylon                         |
| 38    | A94055A     | 1   | COVER- Air filter                      |
| 39    | 12140       | 1   | NUT- Push on spring                    |
| 40    | A12225      | 1   | FILTER- Element air                    |
| 41    | 121171      | 1   | PLATE- Spring                          |
| 42    | A69500A     | 1   | CAP- Fuel filler                       |
| 43    | 69451       | 1   | VALVE- Check (oval duckbill)           |
| 44    | 69454       | 1   | FILTER- Filler cap                     |
| 45    | 69501       | 1   | GASKET- Fuel cap                       |
| 46    | 69502       | 1   | CHAIN- Bead                            |
| 47    | 96535       | 1   | RETAINER                               |
| 48    | 82256A      | 1   | SCREW- Pan hd. plastite 6 x 1/4        |
| 49    | A12222      | 1   | CAP- Oil filler                        |
| 50    | 69451       | 1   | VALVE- Check (oval duckbill)           |
| 51    | 69454       | 1   | FILTER- Filler cap                     |
| 52    | 12126       | 1   | GASKET- Oil cap                        |
| 53    | 69502       | 1   | CHAIN- Bead                            |
| 54    | 82256A      | 1   | SCREW- Pan hd. plastite 6 x 1/4        |
| 55    | 96535       | 1   | RETAINER- Cap                          |
| 56    | 88050       | 2   | SCREW- Hex sems 10-24 x 5/16           |

| Ref # | Part Number | Qty | Description  |
|-------|-------------|-----|--|
| 57    | A12286B     | 1   | HOUSING- Engine                                    |
| 58    | 12269       | 1   | SCREEN- Air inlet                                  |
| 59    | A59009A     | 1   | FINDER- Oil  |
| 60    | 9311242     | 2   | TUBING- Rubber (Fuel) 10 1/2"                      |
| 61    | A69923      | 1   | PICK-UP- Fuel                                      |
| 62    | 64083       | 1   | FILTER- Felt                                       |
| 63    | A70623      | 1   | SET- Isolator- soft (set of four)                  |
|       | A70622      | 1   | SET- Isolator-hard (set of four) (Alternate)       |
| 64    | A12153      | 1   | DEFLECTOR- Air (exhaust)                           |
| 65    | 12096       | 2   | BUMPER   |
| 66    | 70810       | 1   | NUT- Hex 10-24                                     |
|       | A93967A     | 1   | KIT- Hand guard                                    |
| 67    | 70705       | 1   | STOP- Chain  |
| 68    | 88042       | 2   | SCREW- Hex sems 8-32                               |
| 69    | 12240       | 1   | SPACER- Nut (prior to lot #9240)                   |
| 70    | 12239       | 1   | WASHER- Cupped spring (prior to lot #9240)         |
| 71    | 83056       | 1   | WASHER (prior to lot #9240)                        |
| 72    | 12296       | 1   | WASHER (prior to lot #9240)                        |
| 73    | 88054       | 1   | SCREW- Hex sems 10-24 x 1 1/4 (prior to lot #9240) |
| 74    | 88055       | 1   | SCREW- Hex sems 10-24 x 1 3/8                      |
| 75    | 122383      | 1   | BRACKET- Hand guard                                |
| 76    | 94867       | 1   | WASHER   |
| 77    | 70788       | 1   | WASHER- Belleville                                 |
| 78    | 93914       | 1   | SCREW- Shoulder                                    |
| 79    | A93968A     | 1   | GUARD- Hand  |
| 80    | A12267B     | 1   | KIT- Right hand guard                              |
| 81    | 82275       | 2   | SCREW- Hex hd. cap                                 |
| 82    | 84003       | 2   | WASHER   |
| 83    | 81208       | 2   | NUT- Center lock #10-24                            |
| 84    | 120422      | 1   | BRACE- Handle                                      |



| Ref # | Part Number | Qty | Description                                       |
|-------|-------------|-----|---|
| 1     | A12299A     | 1   | TRANSFORMER                                       |
| 2     | 95270       | 2   | SCREW   |
| 3     | 12191       | 1   | GROMMET   |
| 4     | A576503A    | 1   | SWITCH- Grounding                                 |
| 5     | 72084A1     | 1   | NUT   |
| 6     | 88051       | 4   | SCREW- Hex sems 10-24 x 3/4                       |
| 7     | 88054       | 3   | SCREW- 10-24 x 1 1/4 (after lot #C-320)           |
| 8     | 947792      | 1   | SHIELD- Cylinder (after lot #C-320)               |
| 9     | A70088      | 1   | RECEPTACLE- Transformer                           |
| 10    | 70720       | 1   | CONTACT- Ground                                   |
| 11    | 68279       | 1   | GROMMET   |
| 12    | A12719B     | 1   | LEAD- Low tension                                 |
| 13    | 88041       | 3   | SCREW- Hex sems 8-32 x 3/8 (Prior to lot #C-320)  |
| 14    | 121761      | 1   | PLATE- Exhaust (W) (prior to lot #C-320)          |
| 15    | D12270B     | 1   | SPARK ARRESTOR (Accessory) (prior to lot #C-320)  |
| 16    | 12173       | 1   | GASKET- Exhaust plate (prior to lot #C-320)       |
| 17    | A70784      | 1   | MUFFLER- 360 AO (prior to lot #C-320)             |
| 18    | 12080A      | 1   | GASKET- Muffler                                   |
| 19    | 88049       | 1   | SCREW- Hex sems 10-24 x 1/2 (prior to lot #C-320) |
| 20    | A93128A     | 1   | SHIELD- Cylinder (prior to lot #C-320)            |
| 21    | 93075       | 1   | PLATE- Nut (prior to lot #C-320)                  |
| 22    | 93063       | 1   | BRACKET- Cylinder (prior to lot #C-320)           |
| 23    | 69919       | 2   | SCREW (prior to lot #C-320)                       |
| 24    | 12071       | 2   | WASHER (prior to lot #C-320)                      |
| 25    | 12793A      | 1   | PLATE- (Run - Stop) (prior to lot #C-320)         |
| 26    | 88042       | 2   | SCREW- Hex hd. w/washer 8-32 x 1/2                |
| 27    | 88053       | 2   | SCREW- 10-24 x 1" hex sems                        |
| 28    | 12788       | 2   | CONTACT- Transformer                              |
| 29    | 82215       | 2   | SCREW- Plastite pan 6 x 3/8                       |
| 30    | A12114A     | 1   | HOUSING- Rewind starter                           |
| 31    | 65185       | 1   | BUSHING- Rope                                     |
| 32    | 94564       | 1   | ROPE- Starter (38" #4)                            |
| 33    | 70018A      | 1   | INSERT- Rope retaining                            |
| 34    | A69962B     | 1   | GRIP- Starter rope                                |
| 35    | 88055       | 1   | SCREW- Hex sems 10-24 x 1 3/8                     |
| 36    | 65102       | 1   | LOCK- Spring                                      |
| 37    | 12523       | 1   | COVER- Starter                                    |
| 38    | 70705       | 1   | STOP- Chain                                       |
| 39    | 12052       | 1   | SPRING- Shield                                    |
| 40    | 65107       | 1   | SPRING- Rewind                                    |
| 41    | A12214A     | 1   | PULLEY & CUP                                      |
| 42    | 70842       | 1   | WASHER- Spring                                    |
| 43    | 12053       | 1   | BUSHING- Starter                                  |
| 44    | A12272C     | 1   | BUMPER- Spiked (accessory)                        |
| 45    | 88048       | 2   | SCREW- Hex hd. 10-24 x 3/8                        |
| 46    | 70397       | 1   | PLATE- Guide bar (Inner)                          |
| 47    | 69966       | 1   | SPRING- Guide bar                                 |
| 48    | 70398       | 1   | PLATE- Guide bar (Outer)                          |
| 49    | 12134       | 1   | COVER- Gear                                       |
| 50    | 82251       | 2   | SCREW- Pan hd. mach 6-32 x 3/8                    |
| 51    | 651121      | 1   | PIN-Guidebar adjusting                            |
| 52    | 70693       | 1   | BUSHING   |
| 53    | A70694      | 1   | ADJUSTER- Guide bar                               |
| 54    | A12132      | 1   | SCREW-Guidebar adjusting                          |
| 55    | A939302     | 1   | COVER- Drivecase                                  |
| 56    | 93962       | 1   | SCREW- Guide bar adjusting                        |
| 57    | 81206       | 1   | NUT- Centerlock (10-32)                           |
| 58    | 651121      | 1   | PIN-Guidebar adjusting                            |

| Ref # | Part Number | Qty | Description                                     |
|-------|-------------|-----|---|
| 59    | 81196       | 2   | NUT-Hex 5/16-18                                 |
| 60    | 93460       | 1   | SCREW (After lot #C-320)                        |
| 61    | 82370       | 3   | SCREW- (After lot #C-320)                       |
| 62    | 947961      | 1   | PLATE- Exhaust (After lot #C-320)               |
| 63    | 94797       | 1   | SPARK ARRESTOR SCREEN (Opt.) (After lot #C-320) |
| 64    | A947851     | 1   | MUFFLER (After lot #C-320)                      |

## TOOLS

|   |                |
|---|----------------|
| <b>ANVIL- Bearing removal (crankcase)</b>                 | <b>23848-1</b> |
| <b>ANVIL- Bearing removal (Crankcase &amp; Backplate)</b> | <b>23848-2</b> |
| <b>KEY- Hex 5/32 (Cyl. &amp; Handle bar)</b>              | <b>22128</b>   |
| <b>KEY- Hex 9/64 (HG-SL)</b>                              | <b>23528</b>   |
| <b>PULLER- Rotor</b>                                      | <b>A-24290</b> |
| Includes:   |                |
| <b>SCREW- Rotor removal</b>                               | <b>24301</b>   |
| <b>RING- Retaining</b>                                    | <b>87912</b>   |
| <b>SHIM- Yellow plastic (.020) (air gap)</b>              | <b>24853</b>   |
| <b>SLEEVE- Seal assembly (Crankcase &amp; Backplate)</b>  | <b>23759</b>   |
| <b>SLEEVE- Seal removal (Crankcase)</b>                   | <b>23138-8</b> |
| <b>TOOL &amp; PLUNGER- Piston pin</b>                     | <b>A-24871</b> |
| <b>Wrench- Socket</b>                                     | <b>88851</b>   |
| <b>WRENCH- Spanner ("S" Clutch)</b>                       | <b>A-93791</b> |
| Includes:   |                |
| <b>PIN</b>  | <b>23717-A</b> |
| <b>SCREW DRIVER</b>                                       | <b>24541</b>   |
| <b>CLUTCH TOOL- (3 shoe-clutch)</b>                       | <b>A-17146</b> |
| <b>GREASE- Multi use</b>                                  | <b>17183</b>   |

## ACCESSORIES

|  |                   |
|--|-------------------|
| <b>ADHESIVE- Zip grip</b>                | <b>70627</b>      |
| <b>BUMPER- Spiked</b>                    | <b>DA-12272-E</b> |
| <b>EXCHANGER- Heat</b>                   | <b>A-94284-B</b>  |
| <b>KIT- Chain brake</b>                  | <b>A-93893-A</b>  |
| <b>KIT- Hand guard</b>                   | <b>A-93967-A</b>  |
| <b>SAFE-T-TIP (STD)</b>                  | <b>A-70790-B</b>  |
| <b>KIT- Guide bar insert</b>             | <b>A-98812</b>    |
| <b>KIT- Sprocket repair</b>              | <b>A-88498-B</b>  |
| <b>RUBBER- Tubing 10'</b>                | <b>93112-99</b>   |
| <b>ROPE- Starter #4 250 FT. reel</b>     | <b>88848</b>      |
| <b>SET- Isolator- hard (set of four)</b> | <b>A-70622</b>    |
| <b>SPRAY CAN- Red</b>                    | <b>23475</b>      |

NOTE: Alignment plug required for A-12201-A oil pump only.

## BAR & CHAIN COMBINATIONS

| BAR LENGTH & TYPE  | BAR NUMBER  | CHAIN DESCRIPTION | CHAIN NO. (BLISTER PACK) | CHAIN NO. (BOXED) |
|--------------------|-------------|-------------------|--------------------------|-------------------|
| 18" PT<br>GW<br>SP | PT-18381-G5 | 38-ME50-89        | D-92428-A                | J1-92059-LB       |
|                    | GW-18001-G5 | 38-ME50-89        |                          |                   |
|                    | SP-18381-H5 | 38-ME50-89        |                          |                   |
| 20" PT<br>GW<br>SP | PT-20381-G5 | 38-ME50-70        | D-92431-A                | J1-92070-LB       |
|                    | GW-20001-G5 | 38-ME50-70        |                          |                   |
|                    | SP-20381-H5 | 38-ME50-70        |                          |                   |
| 24" PT<br>GW<br>SP | PT-24381-G5 | 38-ME50-81        | D-92432-A                | J1-92081-LB       |
|                    | GW-24001-G5 | 38-ME50-81        |                          |                   |
|                    | SP-24381-H5 | 38-ME50-81        |                          |                   |

| Ref #       | Part Number | Qty | Description                                    |
|-------------|-------------|-----|--|
| PT-16381-G5 | PT16381G5   | 1   | 16" PT   |
| GW-16001-G5 | GW16001G5   | 1   | 16" GW   |
| SP-16381-H5 | SP16381HG   | 1   | 16" SP   |
| PT-20381-G5 | PT20381G5   | 1   | 20" PT   |
| GW-20001-G5 | GW20001G5   | 1   | 20" GW   |
| SP-20381-H5 | SP20381H5   | 1   | 20" SP   |
| PT-24381-G5 | PT24381G5   | 1   | 24" PT   |
| GW-24001-G5 | GW24001G5   | 1   | 24" GW   |
| SP-24381-H5 | SP24381H5   | 1   | 24" SP   |
| D-92428-A   | D92428A     | 1   | 38-ME5-59                                      |
| D-92431-A   | D92431A     | 1   | 38-ME5-70                                      |
| D-92432-A   | D92432A     | 1   | 38-ME5-81                                      |
| J1-92059-LB | J192059LB   | 1   | 38-ME5-59                                      |
| J1-92070-LB | J192070LB   | 1   | 38-ME5-70                                      |
| J1-92081-LB | J192081LB   | 1   | 38-ME5-81                                      |
| 23846-1     | 238461      | 1   | ANVIL- Bearing removal (crankcase)             |
| 23846-2     | 238462      | 1   | ANVIL- Bearing removal (crankcase & Backplate) |
| 22126       | 22126       | 1   | KEY- Hex 5/32 (Cyl. & Handle bar)              |
| 23528       | 23528       | 1   | KEY- Hex 9/64 (HG-SL)                          |
| A-24290     | A24290      | 1   | PULLER- Rotor                                  |
| 24301       | 24301       | 1   | SCREW- Rotor removal                           |
| 67912       | 67912       | 1   | RING- Retaining                                |
| 24853       | 24853       | 1   | SHIM- Yellow plastic (.020) (air gap)          |
| 23759       | 23759       | 1   | SLEEVE- Seal assembly (Crankcase & Backplate)  |
| 23136-6     | 231366      | 1   | SLEEVE- Seal removal (Crankcase)               |
| A-24871     | A24871      | 1   | TOOL & PLUNGER- Piston Pin                     |
| 68651       | 68651       | 1   | Wrench- Socket                                 |
| A-93791     | A93791      | 1   | WRENCH- Spanner ("S" Clutch)                   |
| 23717A      | 23717A      | 1   | PIN  |
| 24541       | 24541       | 1   | SCREW DRIVER                                   |
| A-17146     | A17146      | 1   | CLUTCH TOOL- (3 shoe-clutch)                   |
| 17193       | 17193       | 1   | GREASE- Multi use                              |
| 70627       | 70627       | 1   | ADHESIVE- Zip grip                             |
| DA-12272-E  | DA12272E    | 1   | BUMPER- Spiked                                 |
| A-94284-B   | A94284B     | 1   | EXCHANGER- Heat                                |
| A-93693-A   | A93693A     | 1   | KIT- Chain brake                               |
| A-93967-A   | A93967A     | 1   | KIT- Hand guard                                |
| A-70790-B   | A70790B     | 1   | SAFE-T-TIP (STD)                               |
| A-96612     | A96612      | 1   | KIT- Guide bar insert                          |
| A-69496-B   | A69496B     | 1   | KIT- Sprocket repair                           |
| 9311299     | 9311299     | 1   | RUBBER-Tubing 10'                              |
| 68848       | 68848       | 1   | ROPE- Starter #4 250 FT. reel                  |
| A-70622     | A70622      | 1   | SET- Isolator- hard (set of four)              |
| 23475       | 23475       | 1   | SPRAY CAN- Red                                 |