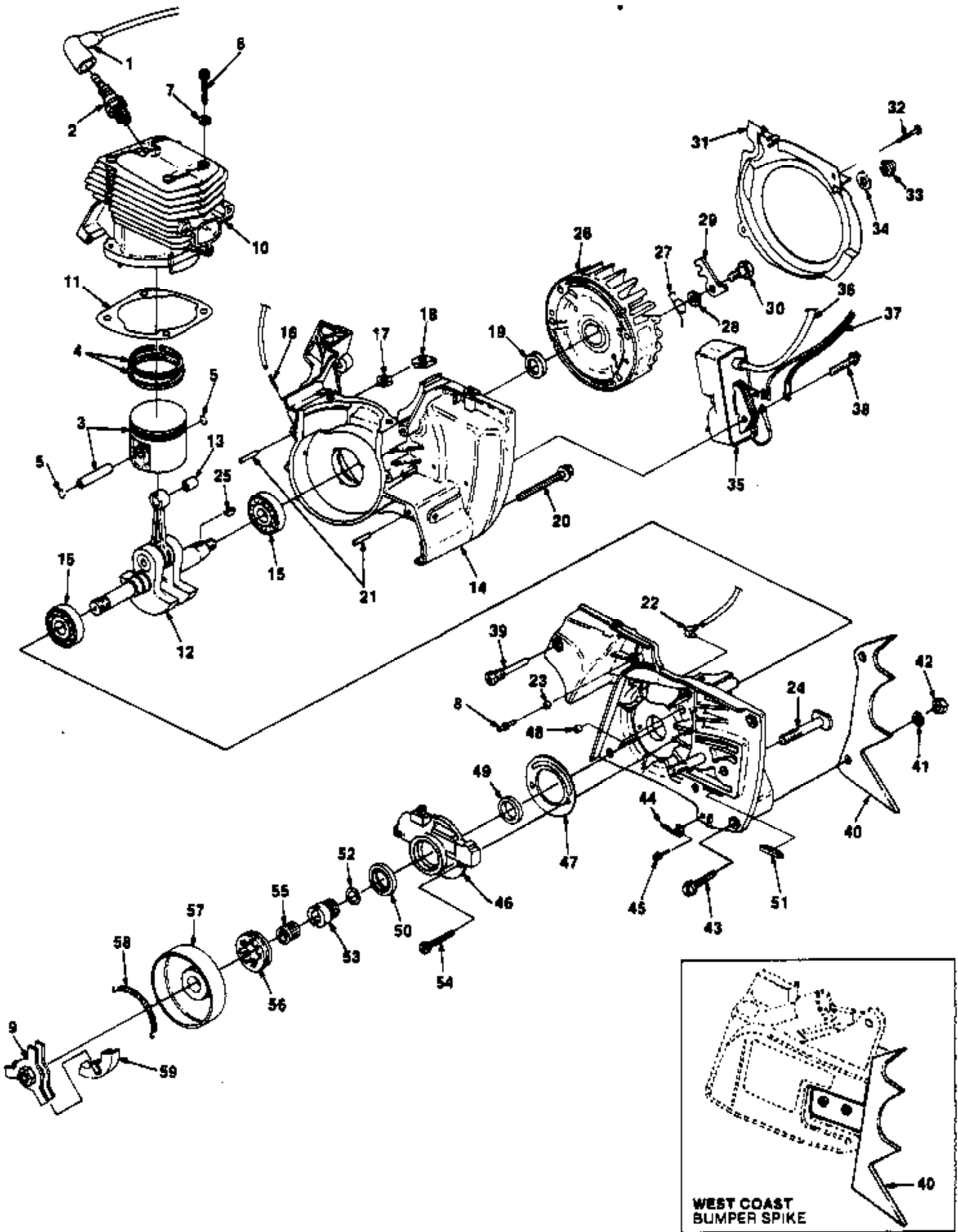
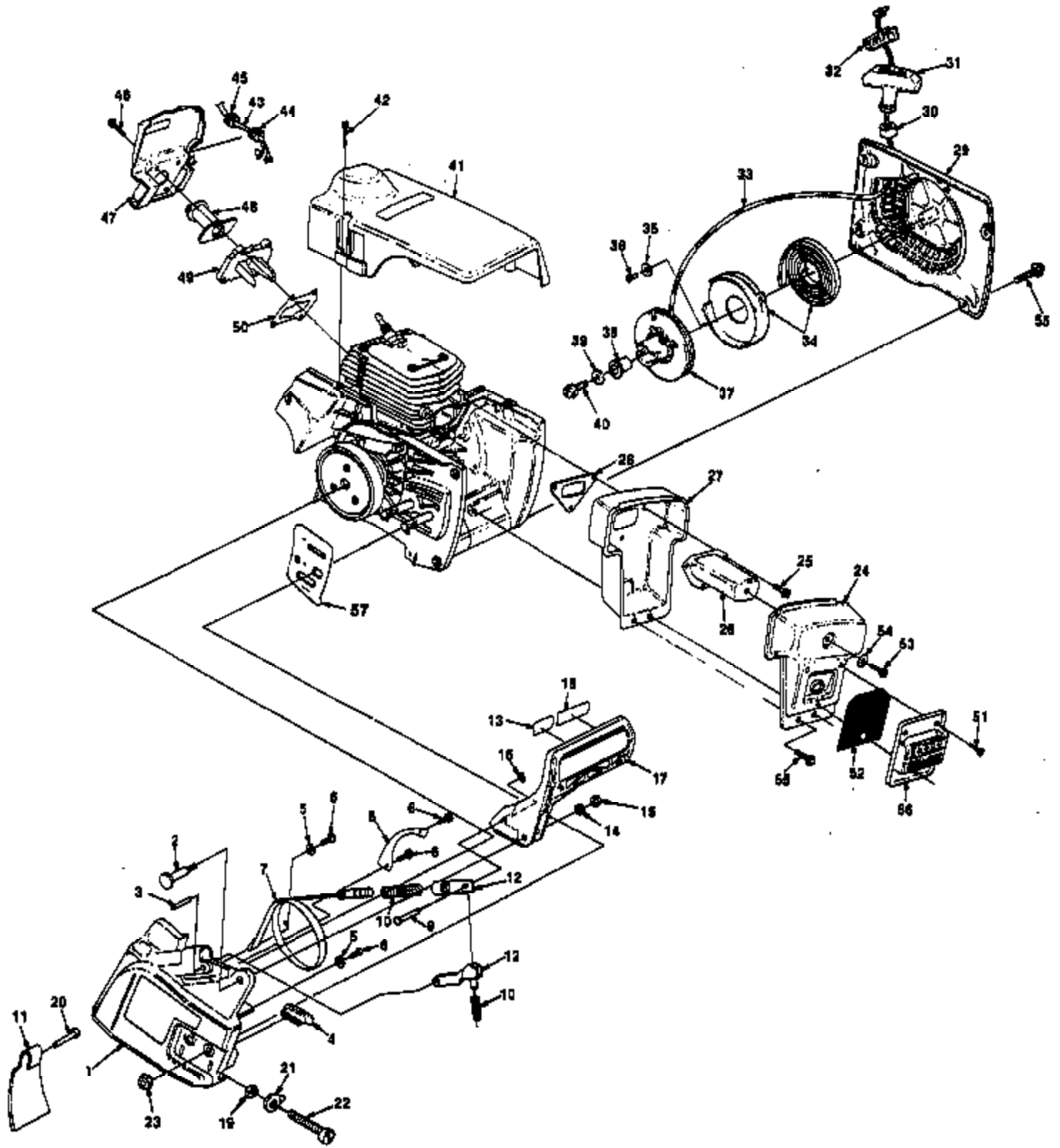


| Ref # | Part Number | Qty | Description |
|-------|-------------|-----|-----------------------------------|
| 1 | 82281 | 2 | SCREW- Mach Hex hd. (10-24 x 2") |
| 2 | A97318 | 1 | CARBURETOR-(WJ-2) |
| 3 | 00039 | 1 | TUBING |
| 4 | 00038 | 2 | TUBING |
| 5 | 97292 | 1 | ROD- Choke |
| 6 | 64862 | 1 | GROMMET |
| 7 | 93385A | 1 | TRIGGER- Lock |
| 8 | 81009 | 4 | NUT 8-32 |
| 9 | A97296 | 1 | COVER- Carburetor chamber |
| 10 | 97298 | 1 | GASKET- Carburetor chamber |
| 11 | 97299 | 1 | GASKET- Air filter |
| 12 | A97689 | 1 | COVER- Air filter |
| 13 | 00780 | 1 | DECAL- Warning |
| 14 | 96731 | 1 | DECAL Warning |
| 15 | A97303 | 1 | ELEMENT- Filter |
| 16 | 80577 | 2 | SCREW- (8-32 x 3/8") |
| 17 | 95671 | 1 | PIN- Throttle lock |
| 18 | 95020 | 1 | SPRING- Compression |
| 19 | 95989 | 1 | BUSHING- Flanged |
| 20 | 58409 | 1 | RING- Retaining |
| 21 | 68548 | 2 | PIN- Trigger |
| 22 | 97294 | 1 | ROD- Throttle |
| 23 | 69889 | 1 | BOOT- Throttle rod |
| 24 | 93842 | 1 | TRIGGER- Throttle |
| 25 | 80582 | 2 | SCREW Pan head 8-32 x 5/8 |
| 26 | 82516 | 4 | SCREW- Thread forming (12 x 3/4") |
| 27 | 72084A1 | 1 | NUT- Hex |
| 28 | 00806 | 1 | DECAL- Run Stop |
| 29 | A57650A | 1 | SWITCH- Toggle |
| 30 | 97305A | 6 | ISOLATOR- Vibration |
| 31 | 97262 | 6 | SLEEVE- Flanged |
| 32 | A97690 | 1 | HOUSING- Engine |
| 33 | A00691 | 1 | BRACKET |
| 34 | 00788 | 2 | FILTER ELEMENT |
| 35 | 96841 | 2 | VALVE- Duck bill |
| 36 | 972902 | 1 | ADAPTOR- Carburetor |
| 37 | 97291 | 1 | GASKET- Carburetor |
| 38 | 88049 | 2 | SCREW- Hex hd. (10-24 x 1/2") |
| 39 | 9311223 | 1 | TUBING- Rubber (fuel line) 5 3/4" |
| 40 | 9315723 | 1 | TUBING- Rubber (pulse line) |
| 41 | 9477227 | 1 | TUBING- Rubber (oil line) |
| 42 | 97265 | 1 | SPRING- Flat |
| 43 | A98882 | 2 | CAP- Fuel & Oil |
| 44 | 00787 | 2 | "O" RING |
| 45 | A97700 | 1 | FILTER- Fuel |
| 46 | 592531A | 1 | ELEMENT- Felt filter |
| 47 | A68593 | 1 | OIL FINDER |
| 48 | A97311 | 1 | HANDLEBAR |
| 49 | A97313 | 1 | HANDLEBAR (West Coast Models) |
| 50 | 93428 | 1 | BUSHING |
| 51 | 82515 | 2 | SCREW |
| 52 | 49530 | 1 | SPACER |

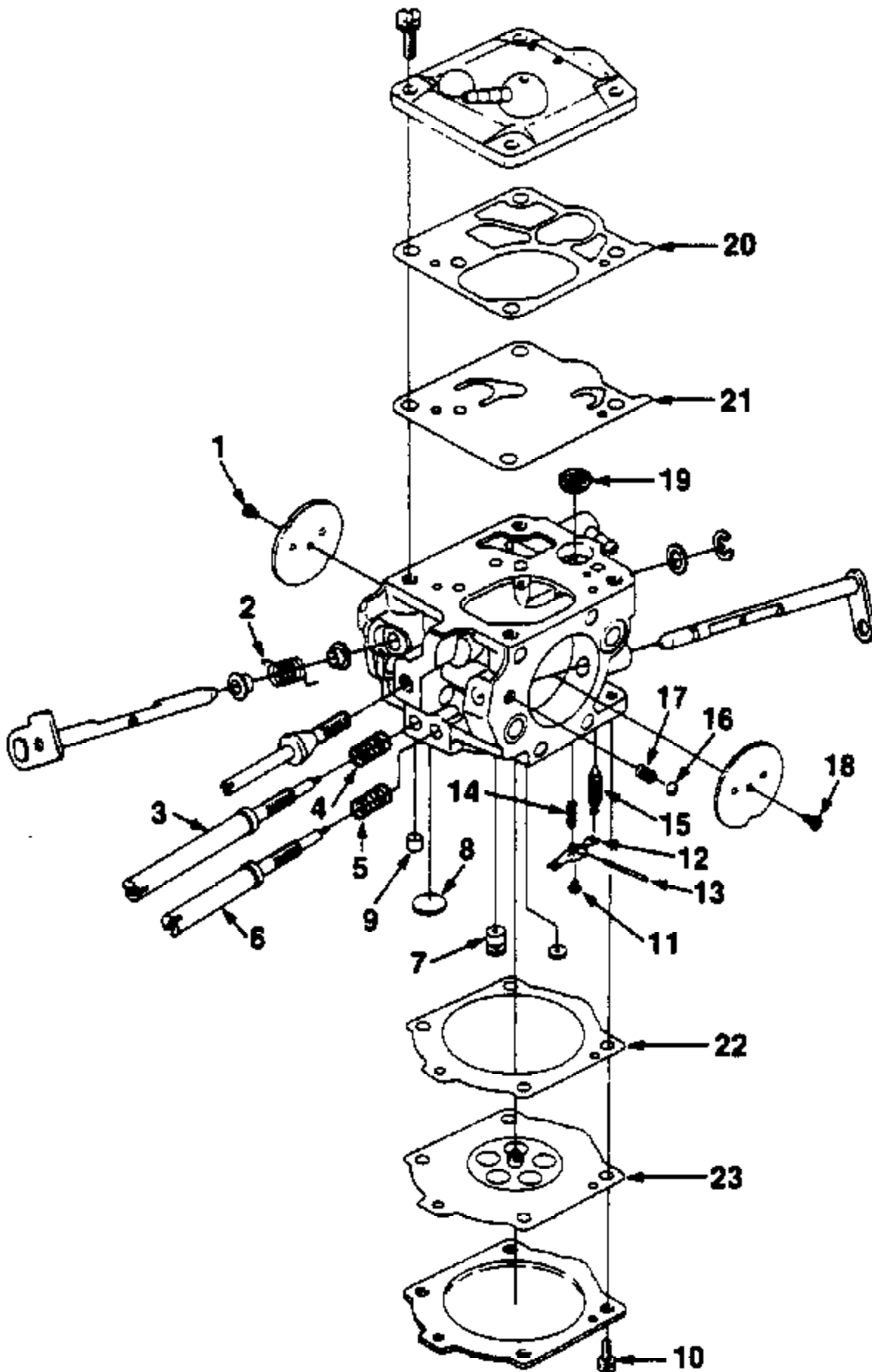


| Ref # | Part Number | Qty | Description |
|-------|-------------|-----|------------------------------------|
| 1 | A55373A | 1 | TERMINAL- Spark plug |
| 2 | 93561S | 1 | SPARK PLUG (CJ6Y) |
| 3 | A00790 | 1 | PISTON & PIN ASSEMBLY |
| 4 | 12659A | 2 | PISTON RING |
| 5 | 98023 | 2 | RING- Retaining |
| 6 | 93399 | 4 | SCREW- Cap socket (10-24 x 1 1/8") |
| 7 | 12021 | 4 | WASHER- Conical |
| 8 | 97331 | 1 | PIN- Shoulder dowel |
| 9 | A00023 | 1 | SPIDER- Clutch |
| 10 | A00785 | 1 | CYLINDER |
| 11 | 97316 | 1 | GASKET- Cylinder |
| 12 | A00792 | 1 | CRANKSHAFT |
| 13 | 93519 | 1 | BEARING |
| 14 | A00791 | 1 | CRANKCASE ASSEMBLY |
| 15 | 94621 | 2 | BEARING- Ball |
| 16 | 69833 | 1 | FITTING- Tube |
| 17 | 81208 | 4 | NUT- Lock (10-24) |
| 18 | 12689A | 2 | NUT- Retainer |
| 19 | 58308B | 1 | SEAL |
| 20 | 88057 | 5 | SCREW- Hex sems (10-24 x 2") |
| 21 | 31062 | 2 | PIN- Dowel |
| 22 | 50558 | 1 | FITTING- Tube |
| 23 | 97330 | 1 | BUSHING |
| 24 | 93918 | 1 | BOLT- Guide bar |
| 25 | 75078 | 1 | KEY- Woodruft |
| 26 | 93548 | 1 | ROTOR |
| 27 | 653752 | 2 | SPRING- Starter finger |
| 28 | 70901 | 2 | WASHER- Lock (#2) |
| 29 | 58756 | 2 | STARTER PAWL |
| 30 | 64054B | 2 | SCREW- Shoulder |
| 31 | 97271 | 1 | SCROLL- Air guide |
| 32 | 82251 | 2 | SCREW- Pan hd. (6-32 x .375) |
| 33 | 81255 | 1 | NUT- Lock hex (3/8-24) |
| 34 | 95479A | 1 | WASHER- Flat |
| 35 | 98751 | 1 | MODULE- Ignition |
| 36 | A97962 | 1 | LEAD- Ignition |
| 37 | A98583 | 1 | LEAD- Ground |
| 38 | 88053 | 2 | SCREW- (10-24 x 1") |
| 39 | 93367 | 6 | PIN- Isolator |
| 40 | 97334 | 1 | BUMPER SPIKE |
| | A98969 | 1 | BUMPER SPIKE (West Coast) |
| 41 | 83056 | 2 | WASHER- Lock (#12) |
| 42 | 81068 | 2 | NUT- Hex (#12-24) |
| 43 | 80978 | 2 | SCREW- Hex (12-24 x 5/8") |
| 44 | 93535 | 1 | CHAIN STOP |
| 45 | 82331 | 1 | SCREW- Pan hd. (8-32 x 5/8") |
| 46 | A00789 | 1 | OIL PUMP |
| 47 | 00191A | 1 | GASKET |
| 48 | 9520101 | 1 | TUBING |
| 49 | 58308B | 1 | SEAL |
| 50 | 59926 | 1 | SEAL- Felt |
| 51 | 98309 | 1 | GUIDE- Chain |
| 52 | 84119 | 1 | WASHER-Thrust |
| 53 | A00357 | 1 | WORM & BEARING |
| 54 | 82302 | 2 | SCREW- Soc. cap (1/4 20 x 5/8") |
| 55 | 98883 | 1 | BEARING- Needle |
| 56 | 95058A | 1 | SPROCKET- 7T x 3/8 Pitch |
| 57 | A00351 | 1 | DRUM- Clutch |

| Ref # | Part Number | Qty | Description |
|-------|-------------|-----|----------------|
| 58 | 00028 | 1 | SPRING- Clutch |
| 59 | 00027 | 3 | SHOE- Clutch |



| Ref # | Part Number | Qty | Description |
|-------|-------------|-----|------------------------------------|
| | A98875 | 1 | KIT- Chain brake |
| 1 | A98727 | 1 | COVER- Drivecase |
| 2 | 98461 | 1 | SCREW- Shoulder |
| 3 | 98456 | 1 | PIN |
| 4 | 98309 | 1 | GUIDE- Chain |
| 5 | 83205 | 2 | WASHER (4.3) |
| 6 | 88148 | 4 | SCREW- Form (3.5 x 13) |
| 7 | A98731 | 1 | BAND- Brake |
| 8 | 98726 | 1 | COVER- Brake band |
| 9 | 98422 | 1 | PIN |
| 10 | A98480 | 1 | SPRING SET |
| 11 | 93439 | 1 | SAWDUST SHIELD |
| 12 | A98481 | 1 | ADJUSTMENT SET |
| 13 | 98564 | 1 | DECAL |
| 14 | 83203 | 1 | WASHER- Belleville (12mm) |
| 15 | 98457 | 1 | NUT |
| 16 | 83204 | 1 | RING- Retaining (3.2) |
| 17 | 98740 | 1 | HANDGUARD |
| 18 | 98563 | 1 | DECAL |
| 19 | 81204 | 1 | NUT- Hex |
| 20 | 85154 | 1 | RIVET |
| 21 | 93039 | 1 | PIN- Guide bar adj. |
| 22 | 63367 | 1 | SCREW |
| 23 | 810892 | 2 | NUT |
| 24 | A00310 | 1 | COVER- Muffler |
| 25 | 88065 | 3 | SCREW- Hex sems 12-24 |
| 26 | A00516 | 1 | MUFFLER DIFFUSER |
| 27 | A98007 | 1 | BODY- Muffler |
| 28 | 97682A | 1 | GASKET- Muffler |
| 29 | A97988A | 1 | HOUSING- Starter |
| 30 | 67177 | 1 | BUSHING- Starter cover |
| 31 | A69962B | 1 | GRIP- Starter |
| 32 | 70018A | 1 | INSERT- Rope Ret. |
| 33 | A00518 | 1 | ROPE- Starter |
| 34 | A98067 | 1 | SPRING & RETAINER |
| 35 | 84025 | 2 | WASHER- Flat (#8) |
| 36 | 82215 | 2 | SCREW- Plastite (6 x 3/8") |
| 37 | A97990 | 1 | PULLEY & STARTER (w/cup) |
| 38 | 97992 | 1 | BUSHING- Starter post |
| 39 | 58763 | 1 | WASHER- Retaining |
| 40 | 93417 | 1 | SCREW- Thread forming (#10 x 5/8") |
| 41 | 97256 | 1 | COVER- Cylinder |
| 42 | 93397A | 3 | SCREW- Cylinder cover |
| 43 | A98583 | 1 | LEAD- Ignition |
| 44 | 00314 | 1 | GROMMET |
| 45 | 58318 | 1 | GROMMET |
| 46 | 82248 | 4 | SCREW- Mach hex hd. (8/32 x 3/4") |
| 47 | 973381A | 1 | BAFFLE- Cylinder |
| 48 | 97263A | 1 | BOOT- Intake |
| 49 | 97261A | 1 | ADAPTOR- Intake |
| 50 | 97264 | 1 | GASKET- Intake |
| 51 | 80983 | 3 | SCREW- Hex hd. (8-32 x .50) |
| 52 | 98827 | 1 | SCREEN- Spark arrestor |
| 53 | 80870 | 1 | SCREW- (10-32 x 375) |
| 54 | 84003 | 1 | WASHER- Flat (#10) |
| 55 | 88050 | 6 | SCREW- Sems 10-24 x 5/8 |
| 56 | A98747 | 1 | CAP- Muffler |
| 57 | 70400 | 1 | PLATE- Guide bar |



| Ref # | Part Number | Qty | Description |
|-------|-------------|-----|----------------------|
| 1 | 97935 | 1 | REPAIR KIT |
| 2 | 97935 | 1 | REPAIR KIT |
| 3 | 97935 | 1 | REPAIR KIT |
| 4 | 97935 | 1 | REPAIR KIT |
| 5 | 97935 | 1 | REPAIR KIT |
| 6 | 97935 | 1 | REPAIR KIT |
| 7 | 97935 | 1 | REPAIR KIT |
| | 97943 | 1 | NOZZLE CHECK VALVE |
| 8 | 97935 | 1 | REPAIR KIT |
| 9 | 97935 | 1 | REPAIR KIT |
| 10 | 97935 | 1 | REPAIR KIT |
| 11 | 97935 | 1 | REPAIR KIT |
| 12 | 97935 | 1 | REPAIR KIT |
| 13 | 97935 | 1 | REPAIR KIT |
| 14 | 97935 | 1 | REPAIR KIT |
| 15 | 97935 | 1 | REPAIR KIT |
| | 97942 | 1 | NEEDLE - Inlet |
| 16 | 97935 | 1 | REPAIR KIT |
| 17 | 97935 | 1 | REPAIR KIT |
| 18 | 97935 | 1 | REPAIR KIT |
| 19 | 97935 | 1 | REPAIR KIT |
| 20 | 97935 | 1 | REPAIR KIT |
| | 97941 | 1 | GASKET/DIAPHRAGM KIT |
| 21 | 97935 | 1 | REPAIR KIT |
| | 97941 | 1 | GASKET/DIAPHRAGM KIT |
| 22 | 97935 | 1 | REPAIR KIT |
| | 97941 | 1 | GASKET/DIAPHRAGM KIT |
| 23 | 97935 | 1 | REPAIR KIT |
| | 97941 | 1 | GASKET/DIAPHRAGM KIT |