

HOMELITE
BACKPACKER II BLOWERS
MODEL NOS.
UT08072, UT08572 AND UT08572A
REPAIR SHEET

HOMELITE BACKPACKER II BLOWERS - MODEL NUMBERS UT08072, UT08572 AND UT08572A

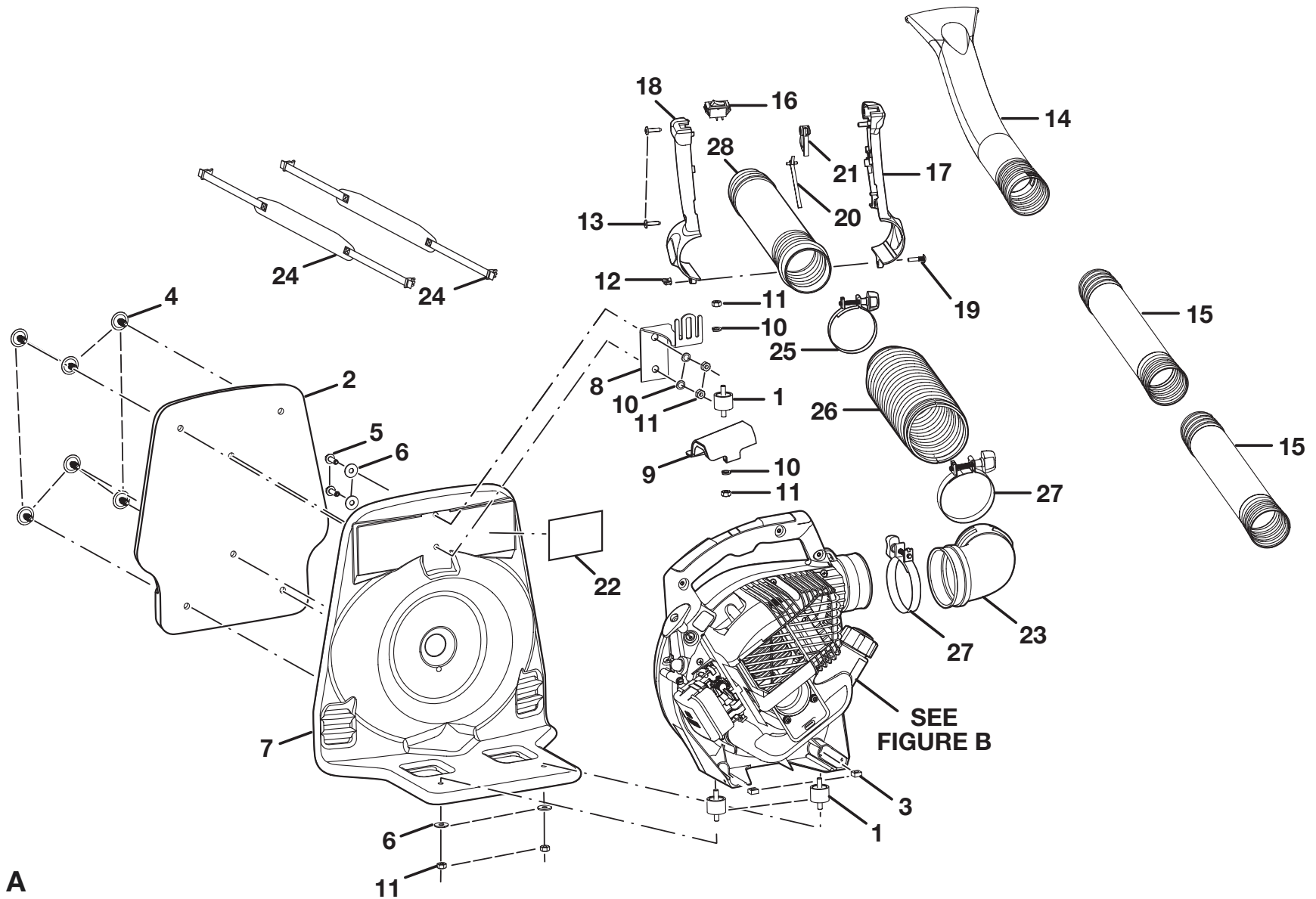


Figure A

HOMELITE BACKPACKER II BLOWERS – MODEL NUMBERS UT08072, UT08572 AND UT08572A

The model number will be found on a plate attached to the motor housing. Always mention the model number in all correspondence regarding your **BLOWER** or when ordering repair parts.

PARTS LIST (FIGURE A)

KEY NO.	PART NUMBER	DESCRIPTION	QTY	KEY NO.	PART NUMBER	DESCRIPTION	QTY
1	650028001	VIBRATION ISOLATOR.....	3	20	518090001	TRIGGER LATCH.....	1
2	900968001	FOAM PAD	1	21	518091001	TRIGGER.....	1
3	678108001	SQUARE NUT	2	22	940615001	BACKPACKER LABEL.....	1
4	518093001	PUSH CLIP.....	6	23	580565001	ELBOW.....	1
5	660678001	* SCREW (1/4-20 x 3/4 in.).....	2	24	900971001	CARRYING STRAP.....	2
6	678110001	FLAT WASHER	4	25	348006003	CLAMP	1
7	518092001	BLOWER FRAME	1	26	580566001	BELLOWS	1
8	638085001	FRAME BRACKET.....	1	27	348006002	TUBE CLAMP.....	2
9	638155001	ISOLATOR BRACKET.....	1	28	580570001	UPPER TUBE	1
10	678109001	LOCK WASHER	4	29	650031001	CABLE BRACKET (NOT SHOWN)	1
11	678111001	* HEX NUT	6	30	270020001	HARNESS WIRES & THROTTLE (NOT SHOWN) ..	1
12	678112001	WING NUT.....	1	31	638081001	TAB (MALE 250 x 032, NOT SHOWN)	1
13	660629001	* SCREW (10-14 x 3/4 in. TORX TRUSS HD.).....	2	32	900969001	SAFETY STRAP (NOT SHOWN).....	1
14	580577001	SWEEPER NOZZLE.....	1	33	900972001	NYLON TIE STRAP (NOT SHOWN).....	1
15	580569001	STRAIGHT TUBE.....	2		983000595	OPERATOR'S MANUAL (960277008)	
16	760363002	SWITCH.....	1		983000782	OPERATOR'S MANUAL (UT08572A)	
17	580567001	HANDLE CONTROL - RT	1		983000595R	REPAIR SHEET (REV:02)	
18	580568001	HANDLE CONTROL - LT.....	1		2-10-06		
19	660680001	BOLT	1				

* STANDARD HARDWARE ITEM – MAY BE PURCHASED LOCALLY

HOMELITE BACKPACKER II BLOWERS - MODEL NUMBERS UT08072, UT08572 AND UT08572A

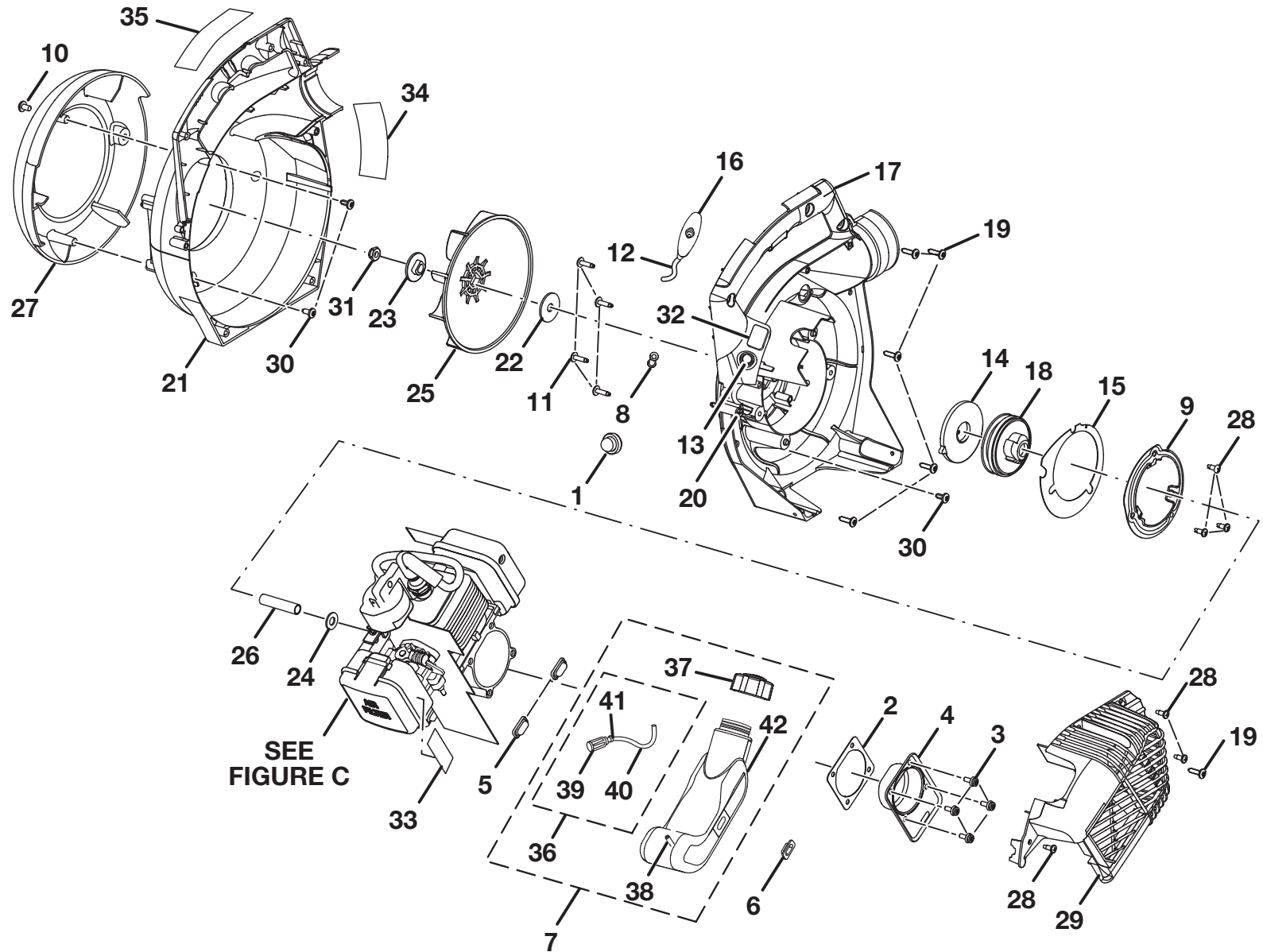


Figure B

HOMELITE BACKPACKER II BLOWERS – MODEL NUMBERS UT08072, UT08572 AND UT08572A

The model number will be found on a plate attached to the motor housing. Always mention the model number in all correspondence regarding your **BLOWER** or when ordering repair parts.

PARTS LIST (FIGURE B)

KEY NO.	PART NUMBER	DESCRIPTION	QTY	KEY NO.	PART NUMBER	DESCRIPTION	QTY
1	308088001	PRIMER BULB	1	22	650016001	FLAT WASHER.....	1
2	900954001	CRANKCASE GASKET	1	23	640858001	FAN ADAPTOR	1
3	660664001	* SCREW (10-24 x 9/16 in. PAN HD.).....	4	24	650017001	FLAT WASHER.....	1
4	638031001	CRANKCASE COVER.....	1	25	518077001	FAN	1
5	570256001	RUBBER BUMPER	2	26	650018001	FAN SPACER	1
6	570549001	BIG BUMPER.....	1	27	518078001	DOOR.....	1
7	308123009	FUEL TANK ASSEMBLY (INC. KEY NOS. 36-38 AND 42).....	1	28	660669001	* SCREW (#8 x 1/2 in. PAN HD.)	6
8	650013001	BUSHING-STARTER ROPE	1	29	518251001	BLOWER SHROUD.....	1
9	638032001	BAFFLE PLATE	1	30	660618001	* SCREW (10-24 x 3/4 in. TORX TRUSS HD.).....	3
10	660668001	* SCREW (1/4-20 X 3/4)	1	31	660730001	* NUT (3/8-24)	1
11	660630002	* SCREW (10-24 x 3/4 in. TRUSS HD.).....	4	32	940630007	SWITCH COVER LABEL	1
12	900849004	STARTER ROPE.....	1	33	940647001	CHOKE LABEL	1
13	650014001	BUSHING STARTER	1	34	940299493	FAN INTAKE WARNING LABEL	1
14	638033001	SPRING & CONTAINER	1	35	940642005	WARNING/STARTING LABEL.....	1
15	900957001	BAFFLE GASKET	1	36	308283001	FUEL FILTER KIT (INC. KEY NOS. 39-41)	1
16	518073001	STARTER GRIP	1	37	300758006	FUEL CAP ASSEMBLY	1
17	518249001	INNER VOLUTE HOUSING.....	1	38	570259005	RUBBER TUBING (196.85 mm).....	1
18	308134001	PULLEY ASSEMBLY	1	39	300759003	FUEL FILTER.....	1
19	660629001	* SCREW (10-14 x 3/4 in. TORX TRUSS HD.).....	6	40	570258003	RUBBER TUBING (114.3 mm).....	1
20	660667001	* SCREW (10 x 1-5/8 in. HEX HD.).....	1	41	690765001	WIRE CLAMP	1
21	518250001	OUTER VOLUTE	1	42	580553002	FUEL TANK	1

* STANDARD HARDWARE ITEM – MAY BE PURCHASED LOCALLY

HOMELITE BACKPACKER II BLOWERS - MODEL NUMBERS UT08072, UT08572 AND UT08572A

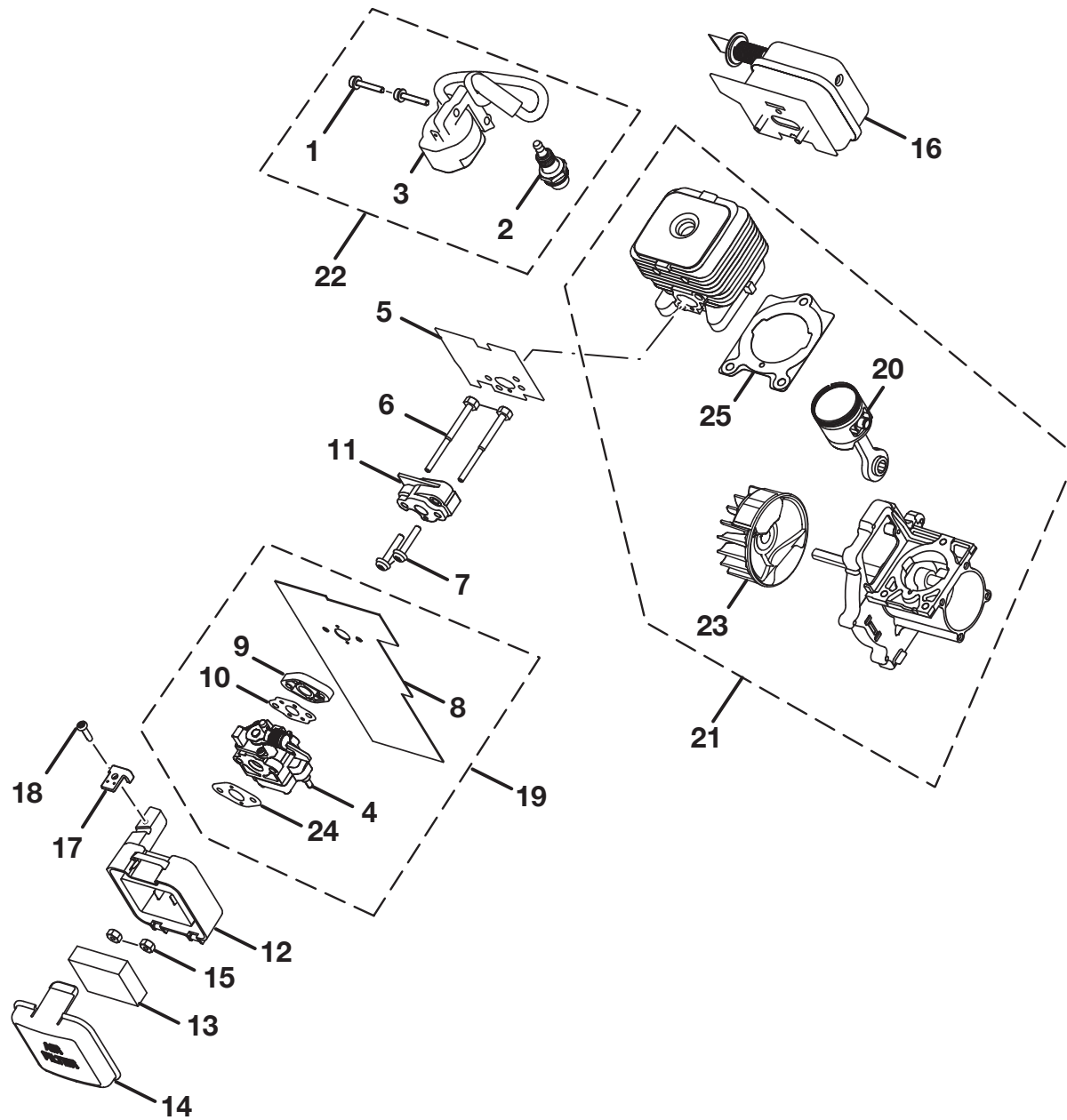


Figure C

HOMELITE BACKPACKER II BLOWERS – MODEL NUMBERS UT08072, UT08572 AND UT08572A

The model number will be found on a plate attached to the motor housing. Always mention the model number in all correspondence regarding your **BLOWER** or when ordering repair parts.

PARTS LIST (FIGURE C)

KEY NO.	PART NUMBER	DESCRIPTION	QTY
1	660660001	SCREW THD FORMING.....	2
2	870174001	SPARK PLUG CHAMPION - RCJ-6Y.....	1
3	850080001	IGNITION MODULE.....	1
4	308028004	CARBURETOR.....	1
5	900950001	HEAT DAM GASKET	1
6	660346002	CARBURETOR MOUNTING BOLT.....	2
7	660662001	* SCREW (10-24 x 1.11 PAN HD.).....	2
8	900951004	CARBURETOR GASKET	1
9	518120001	SPACER	1
10	900711003	GASKET	1
11	518087001	HEAT DAM	1
12	518248001	AIR FILTER BOX.....	1
13	900952001	AIR FILTER	1
14	518072001	AIR FILTER COVER.....	1
15	678027001	* HEX NUT (10-24).....	2
16	300748010	MUFFLER.....	1
17	638133002	THROTTLE CABLE CLIP.....	1
18	660734001	SCREW-FILTER BOX	1
19	308281001	CARBURETOR KIT (INC. KEY NOS. 4, 8-10 AND 24).....	1
20	308119002	PISTON ASSEMBLY KIT	1
21	308099003	SHORT BLOCK ASSEMBLY (INC. KEY NOS. 20, 23 AND 25).....	1
22	308284001	IGNITION KIT (INC. KEY NOS. 1-3)	1
23	300952002	ROTOR AND PAWL ASSEMBLY	1
24	900994004	CARBURETOR GASKET	1
25	900953001	CYLINDER GASKET.....	1

* STANDARD HARDWARE ITEM – MAY BE PURCHASED LOCALLY