

# Homelite®

## PARTS LIST

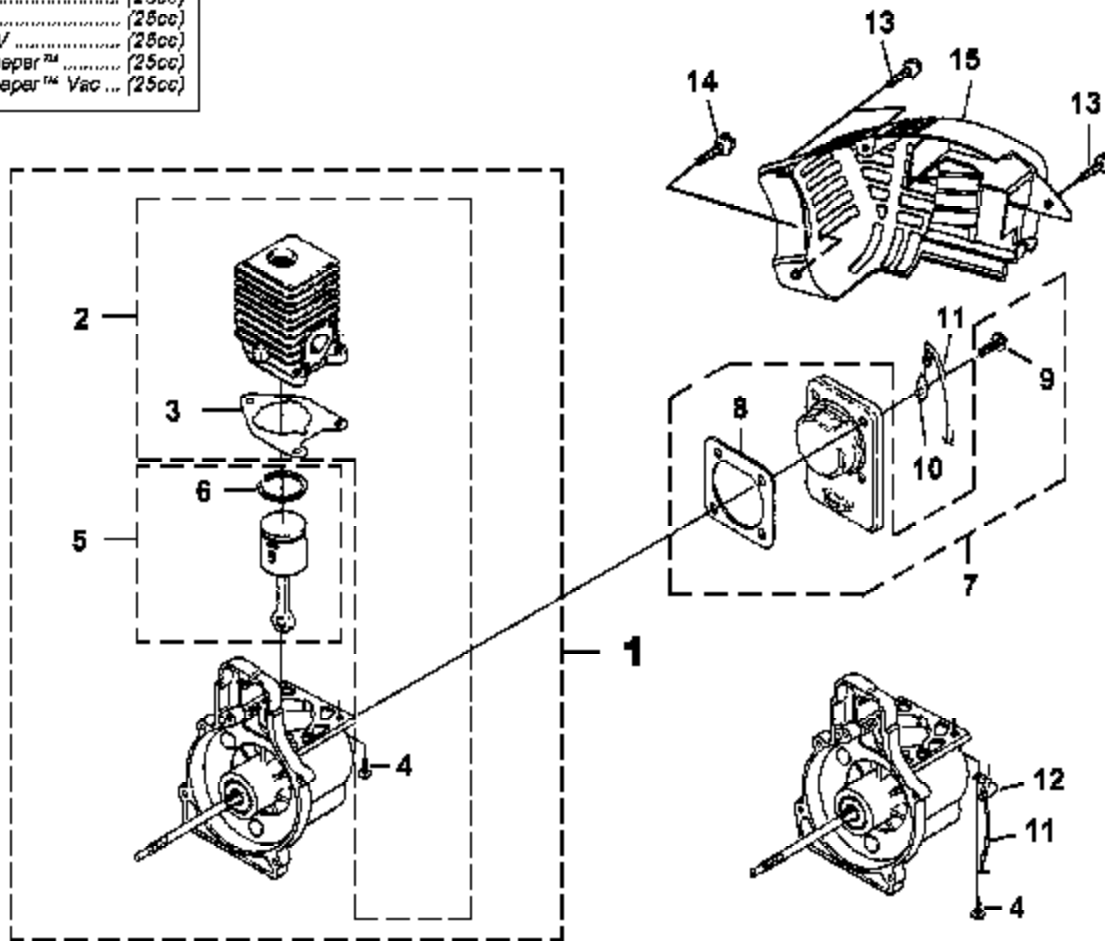
### BLOWERS



<b>BackPacker™</b> .....	UT08017L, UT08083,	UT08111
<b>BBV25</b> .....	UT08103	
<b>BP250 (I)</b> .....	UT08097	
<b>BP25175</b> .....	UT08101, UT08122	
<b>d25mha</b> .....	UT08080, UT08086,	UT08108
<b>HB25155V</b> .....	UT08099, UT08120	
<b>Yard Sweeper™</b> .....	UT08081, UT08082,	UT08106
<b>Yard Sweeper™ Vac</b> .....	UT08119	

BackPacker™	(25cc)
BP25	(25cc)
BP250 (I)	(25cc)
BP25175	(25cc)
25mha	(25cc)
HB25188V	(25cc)
Yard Sweeper™	(25cc)
Yard Sweeper™ Vac ...	(25cc)

### ENGINE INTERNAL



NO.	PART NO.	DESCRIPTION	QTY.
1	•UP 03389	SHORT BLOCK <b>(25cc)</b>	1
2	•UP 04136	25 CC CYLINDER KIT	1
3	UP 03857	GASKET-Cylinder	1
	UP 03817	GASKET-Muffler (Not Shown)	1
	UP 08780	GASKET-Heat Dam (Not Shown)	1
4	UP 04345	SCREW, SEMS (12-24 x 3/4)	3
5	•UP 00788	25 CC PISTON & RDD	1
6	UP 03838	RING-Piston	1
7	•UP 04338	CRANKCASE COVER-Stamped Steel	1
8	UP 04335	GASKET-Crankcase *	1
9	UP 04285	SCREW, SEMS (10-24 x .56)	4
10	UP 03834	TAB-Male	1
11	UP 06782	CABLE-Throttle w/Ignition Leads (BackPacker™, BP250I, BP25175)	1
12	UP 04286	CABLE BRACKET (BackPacker™, BP250I, BP25175)	1
13	UP 03883	SCREW-Thread Form. (#8 X 1/2")	3
14	UP 03900	SCREW-Thread Form. (#10 X 3/4")	1
15	UP 06522	SHROUD	1
	UP 06779	SHROUD-Flocked (BP250I)	1

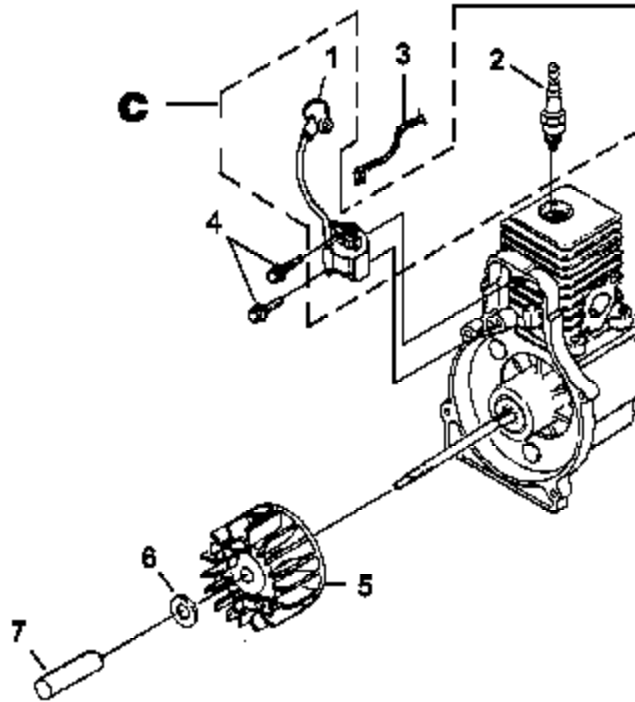
\* Also Included with Cylinder Kits.

TORQUE SPECIFICATIONS			
Item No.	In/Lbs	Nm	Required Loc/ltle
4	55-85	8.2-7.3	262 Red
9	55-85	8.2-7.3	262 Red
13	8-12	.9-1.4	
14	20-30	2.3-3.4	

Warranty Flat Rate		
Job#	Description	Time/hr.
CB20	Short Block	1.0
CB10	Partial Eng. Rebuild	1.0
CD22	Engine Shroud	.8
CB21	Crankcase Cover	.8
BackPacker™ / BP250		
CB20	Short Block (BackPacker™)	1.3
CB10	Partial Eng. Rebuild (BackPacker™)	1.3
CA18	Lead Wire (BackPacker™)	.5

BackPacker™	(25cc)
BBV25	(25cc)
BP250 (I)	(25cc)
BP25175	(25cc)
d25mha	(25cc)
HB25155V	(25cc)
Yard Sweeper™	(25cc)
Yard Sweeper™ Vac ...	(25cc)

### IGNITION with ROTOR



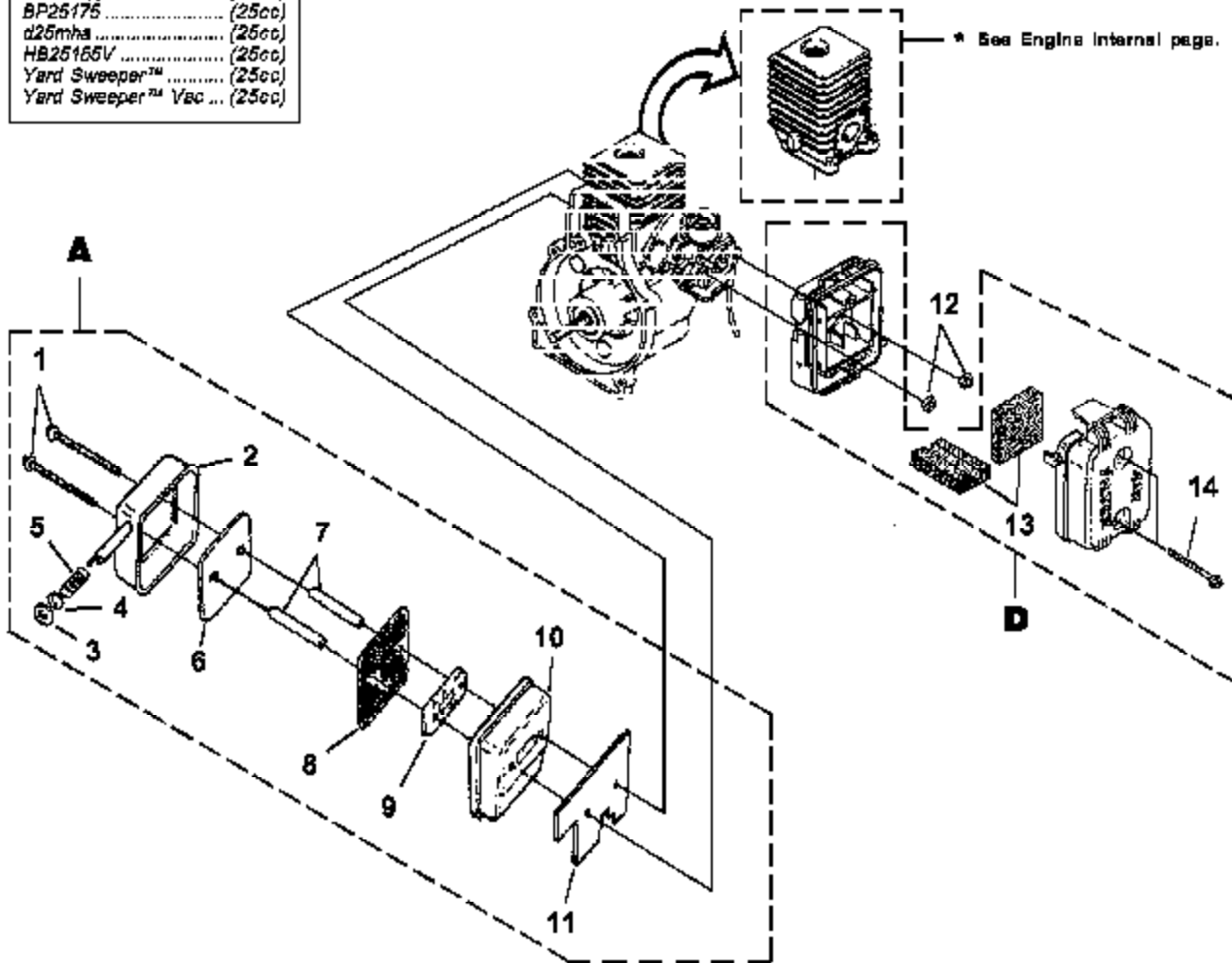
NO.	PART NO.	DESCRIPTION	QTY.
<b>C</b>	UP 06764	IGNITION KIT w/ Module	1
1	UP 03888	TERMINAL-HI-Tension	1
2	UP 03883	SPARK PLUG (RDJ-TY)	1
3	UP 06782	CABLE-Throttle w/ignition Leads (BackPacker™, BP250I, BP25175)	1
4	UP 03886	SCREW-Thread Form. (8-32 x 1")	2
5	UP 03009	ROTOR & STARTER PAWLS	1
6	UP 03806	WASHER-Flat	1
7	UP 03854	SPACER-Fan	1

TORQUE SPECIFICATIONS			
Item No.	In/Lbs	Nm	Required Loctite
2	120-180	13.6-20.3	
4	30-40	3.4-4.5	242 Blue

Warranty Flat Rate		
Job#	Description	Time/hr.
FA11	Solid State Ignition	.7
FA11	Solid State Ignition (BackPacker™) ...	.9

BackPacker™	(25cc)
BBV25	(25cc)
BP250 (I)	(25cc)
BP25175	(25cc)
d25mha	(25cc)
HB25165V	(25cc)
Yard Sweeper™	(25cc)
Yard Sweeper™ Vac...	(25cc)

### MUFFLER and AIR CLEANER



NO.	PART NO.	DESCRIPTION	QTY.
<b>A</b>	UP 04486	MUFFLER-Complete	1
1	UP 03802	SCREW-Sems Hex Hd. (10-24 x 2 1/2")	2
2	UP 03810	MUFFLER COVER	1
3	UP 03813	WASHER-Insulating	1
4	UP 03801	WASHER-Flat	1
5	UP 03814	SPRING-Compression	1
6	UP 04288	DEFLECTOR-Muffler	1
7	UP 03860	SPACER-Muffler	2
8	UP 03815	SCREEN-Spark Arrestor	1
9	UP 03818	PLATE-Reinforcing	1
10	UP 04305	BODY-Muffler	1
11	UP 03817	GASKET-Muffler *	1
	UP 03885	NUT-Hex (10-24)	2
<b>D</b>	UP 00011	AIR FILTER KIT	1
13	UP 00012	AIR FILTER	1
14	UP 03890	SCREW-Thd. Form. (#8-16 x 3/4")	2

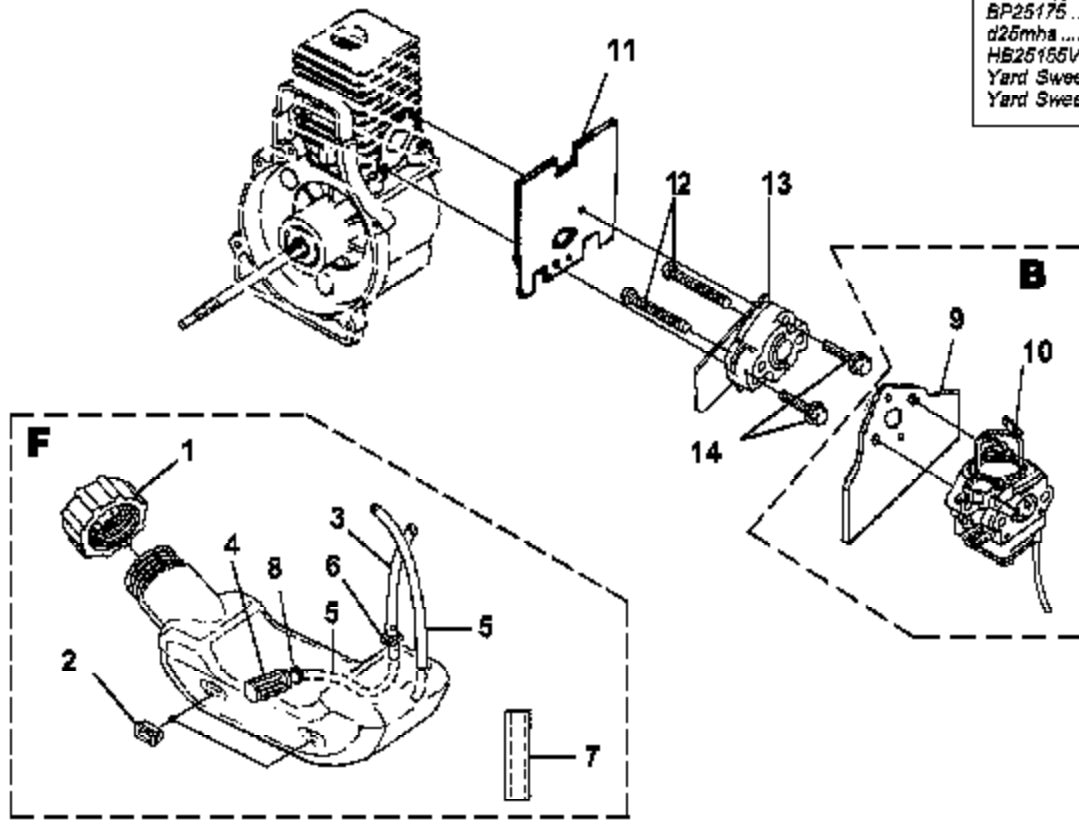
TORQUE SPECIFICATIONS			
Item No.	In/Lbs	Nm	Required Loctite
1	40-50	4.5-5.6	
12	80-40	8.4-4.5	
14	80-40	8.4-4.5	

Warranty Flat Rate		
Job#	Description	Time/hr.
CB18	Muffler	.3
CF42	Air Filter Cover/Body	.2

\* Also included with Short block & Cylinder Kits.

### CARBURETOR and FUEL TANK

BackPacker™	(25cc)
BBV25	(25cc)
BP250 (I)	(25cc)
BP25175	(25cc)
d25mha	(25cc)
HE25155V	(25cc)
Yard Sweeper™	(25cc)
Yard Sweeper™ Vac	(25cc)



NO.	PART NO.	DESCRIPTION	QTY.
<b>F</b>	• UP 00136	FUEL TANK KIT	1
1	UP 04708	FUEL CAP ( 1 5/8" Opening)	1
2	UP 03501	BUMPER-Rubber	3
3	UP 03825	TUBING-Rubber (8")	1
4	UP 03871	FUEL FILTER	1
5	UP 03905	TUBING-Rubber (8")	2
6	UP 04310	Fitting, Inlet (small for 2.5mm ID fuel line)	1
	UP 03831	Fitting, Inlet (large for 3mm ID fuel line)	1
7	UP 04338	INSULATION-Tubing	1
8	UP 03813	CLAMP	1
	UP 04335	GASKET-Crankcase (Not shown)	1
	UP 04295	SCREW, SEMS (10-24 x .56) (Not Shown)	4
<b>B</b>	• UP 00010	CARBURETOR KIT	1
9	UP 03815	GASKET-Carburetor *	1
10	UP 03843	LEVER-Choke (Walbro WT419,WT469)	1
<b>B</b>	• UP 00652	CARBURETOR KIT (BackPacker™, BP250I, BP25175)	1
9	UP 03816	GASKET-Carburetor *	1
10	UP 03943	LEVER-Choke (Walbro WT419,WT469)	1
11	UP 06780	GASKET-Heat Dam *	1
12	UP 04131	SCREW-Thread Form. (10-24 x 1")	2
13	UP 04348	HEAT DAM	1
14	UP 04140	SCREW, SEMS (10-24 x 1.110)	2

TORQUE SPECIFICATIONS			
Item No.	In/Lbs	Nm	Required Loctite
12	30-40	3.4-4.5	
14	40-50	4.5-5.6	262 Red

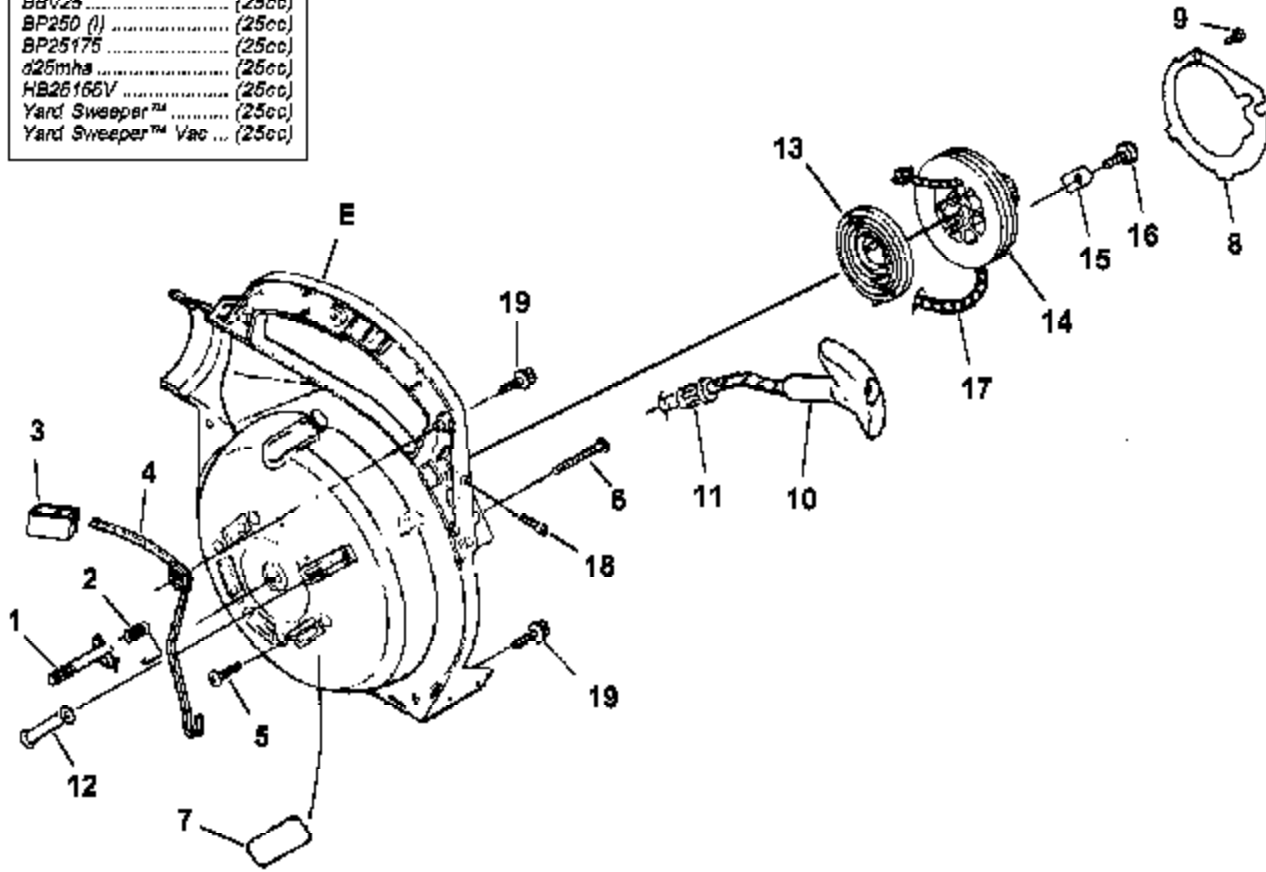
Warranty Flat Rate		
Job#	Description	Time/hr.
CF16	Fuel Tank	.3
CF10	Carburetor/Replace	.3
CF12	Fuel Line/Fuel Return	.3
CF17	Manifold	.8
FF14	Primer Bulb	.8

\* Also Included with Cylinder Kits.

11/8/2000

BackPacker™	(25cc)
BBV25	(25cc)
BP250 (I)	(25cc)
BP25175	(25cc)
d25mha	(25cc)
HB25165V	(25cc)
Yard Sweeper™	(25cc)
Yard Sweeper™ Vac	(25cc)

### STARTER



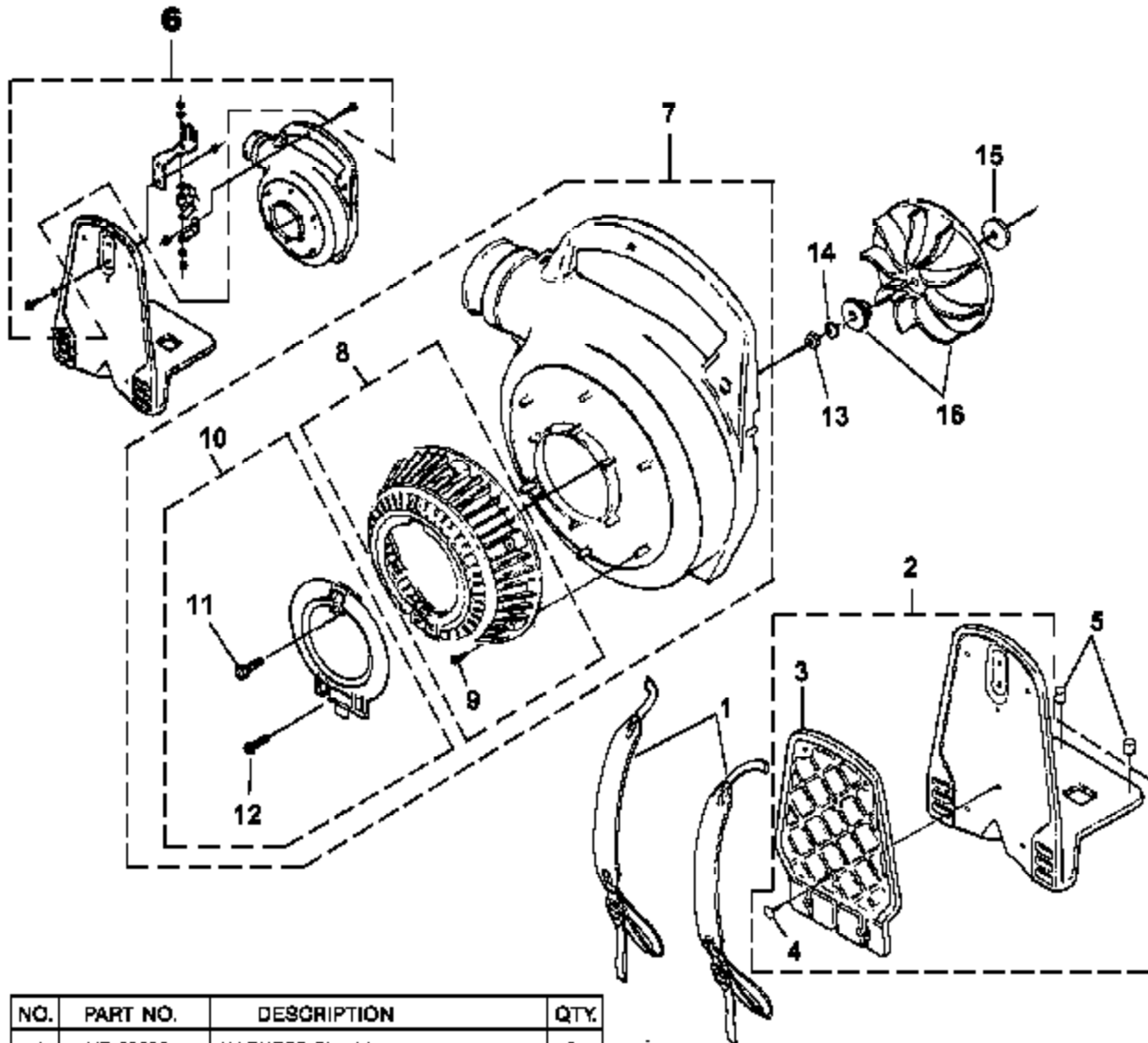
NO.	PART NO.	DESCRIPTION	QTY.
1	UP 03800	LATCH-Throttle	1
2	UP 03811	SPRING-Throttle Latch	1
3	UP 03798	TRIGGER-Throttle	1
4	UP 03803	LEVER-Throttle	1
5	UP 03408	SCREW-Thread Form. (10-24 X 3/4")	4
6	UP 03889	SCREW-Thread Form. (#10 X 1 5/8")	1
E	UP 06792	VOLUTE HOUSING & STARTER	1
7	UP 03822	KIT-Sealing	1
8	UP 04278	PLATE-Rotor	1
9	UP 03894	SCREW-Thread Form. (#8 X 1 3/8")	1
10	UP 03026	GRIP-Starter (Yellow)	1
	UP 04276	GRIP-Starter (Black)	1
11	UP 03810	BUSHING-Starter	1
12	UP 03808	GUIDE-Starter Rope	1
13	UP 03817	SPRING & CONTAINER	1
14	UP 04349	PULLEY-Starter	1
15	UP 03819	BRACKET-Retaining	2
16	UP 03887	SCREW-Thread Form. (#10 X 1/2")	2
17	UP 03911	ROPE-Starter	1
18	UP 03887	SCREW-Phill. Hd. (8-32 X 5/8")	1
19	UP 03800	SCREW-Thread Form. (10-24 X 3/4")	5

TORQUE SPECIFICATIONS			
Item No.	In/Lbs	Nm	Required Locite
5	55-80	6.2-8.8	
6	20-30	2.3-3.4	
9	8-12	0.9-1.4	
16	80-40	3.4-4.5	
18	20-30	2.3-3.4	
19	20-30	2.3-3.4	

Warranty Flat Rate		
Job#	Description	Time/hr.
CF18	Throttle Trigger	.4
CG10	Starter Assy	.6
CD18	Volute Hsg. Inner	.7
FD20	Handle Replce	.3
<b>BackPacker™ / BP250</b>		
CG10	Starter Assy (Backpacker™)	1.0
CD18	Volute Hsg. Inner (Backpacker™)	.9
CF18	Throttle Cable/Trigger (Backpacker™)	.5

BackPacker™ ..... (25cc)  
 BP250 (I) ..... (25cc)  
 BP25175 ..... (25cc)

### BACK PACK, TUBE KIT & HANDLE



NO.	PART NO.	DESCRIPTION	QTY.
1	UP 03828	HARNES-Shoulder	2
2	UP 04405	FRAME-Blower	1
3	UP 06884	PAD-Foam	1
4	UP 03830	CLIP-Push	8
5	UP 03826	VIBRATION ISOLATOR (One Included in #6 kit)	2
6	UP 06885	VIBRATION ISOLATOR KIT	1
7	UP 03851	VOLUTE HOUSING KIT	1
8	UP 06720	BLOWER VAC GRILLE KIT	1
9	UP 03884	SCREW-Thread Form. (#6 X 3/8")	8
10	UP 06513	ACCESS DOOR KIT	1
11	UP 03888	SCREW-Thread Rolling (#10 X 5/8")	1
12	UP 03883	SCREW-Thread Form. (#8 X 1/2")	1
13	UP 03854	NUT-Hex (3/8-24)	1
14	UP 03835	WASHER-Bellville (3/8")	1
15	UP 03836	WASHER-Flat	2
16	UP 08626	BLOWER FAN KIT	1

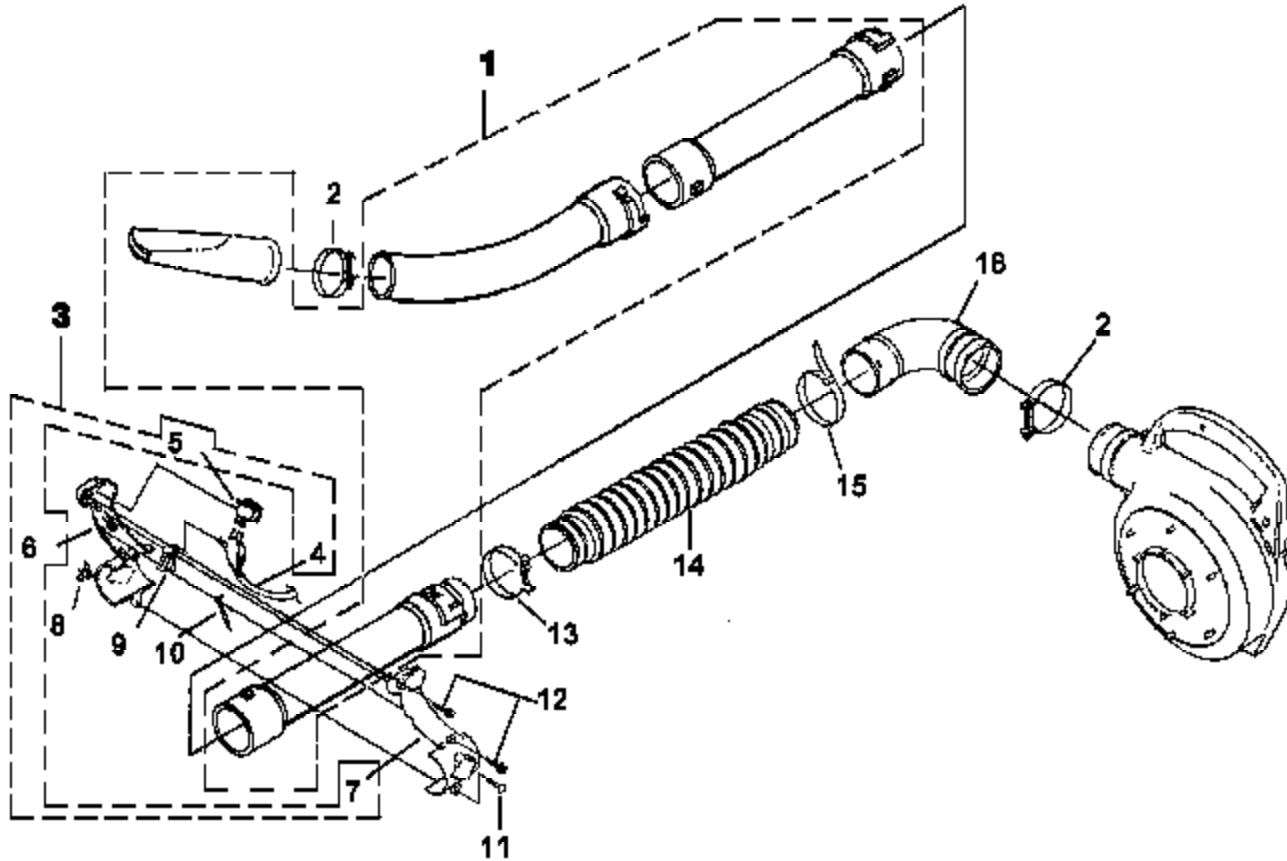
TORQUE SPECIFICATIONS			
Item No.	In/Lbs	Nm	Required Loctite
9	8-12	9-1.4	
11	10-20	1.1-2.3	
12	8-12	9-1.4	
13	180-150	14.7-17.0	

Warranty Flat Rate		
Job#	Description	Time/hr.
GD17	Volute Hsg (Outer)	.7
GD81	Fan, Blower	.7
GD24	Grill/Cover	.4
CS18	Backpack Frame/Wire Stand	.3

11/6/2000

### TUBES

BackPacker™ ... (UT08017L & UT08083)  
 BackPacker™ ... (UT08111 before S/N MB0980001)  
 BP250 (I) ..... (UT08097 before S/N MB0980001)  
 BP25175 ..... (UT08101, UT08122)



NO.	PART NO.	DESCRIPTION	QTY.
1	UP 05582	BLOWER TUBE KIT	1
2	UP 03821	CLAMP	2
3	UP 03794	HANDLE & SWITCH KIT	1
4	UP 06782	CABLE-Throttle w/ Ignition Leads	1
5	UP 03833	SWITCH	1
6	UP 04300	HANDLE-Control (Right)	1
7	UP 04301	HANDLE-Control (Left)	1
8	UP 03886	NUT - Wing (10-24)	1
9	UP 04346	TRIGGER	1
10	UP 03908	LATCH-Trigger	1
11	UP 03882	BOLTER-Rib Neck, Rnd. Hd. (10-24 X 7/8")	1
12	UP 03900	SCREW-Thread Form. (10-14 X 3/4")	2
13	UP 03818	CLAMP (#87)	1
14	UP 03827	BELLOWS-Plastic	1
15	UP 04588	CABLE-Tie	1
16	UP 04287	ELBOW-Curved	1

TORQUE SPECIFICATIONS			
Item No.	In/Lbs	Nm	Required Lockite
12	20-30	2.3-3.4	

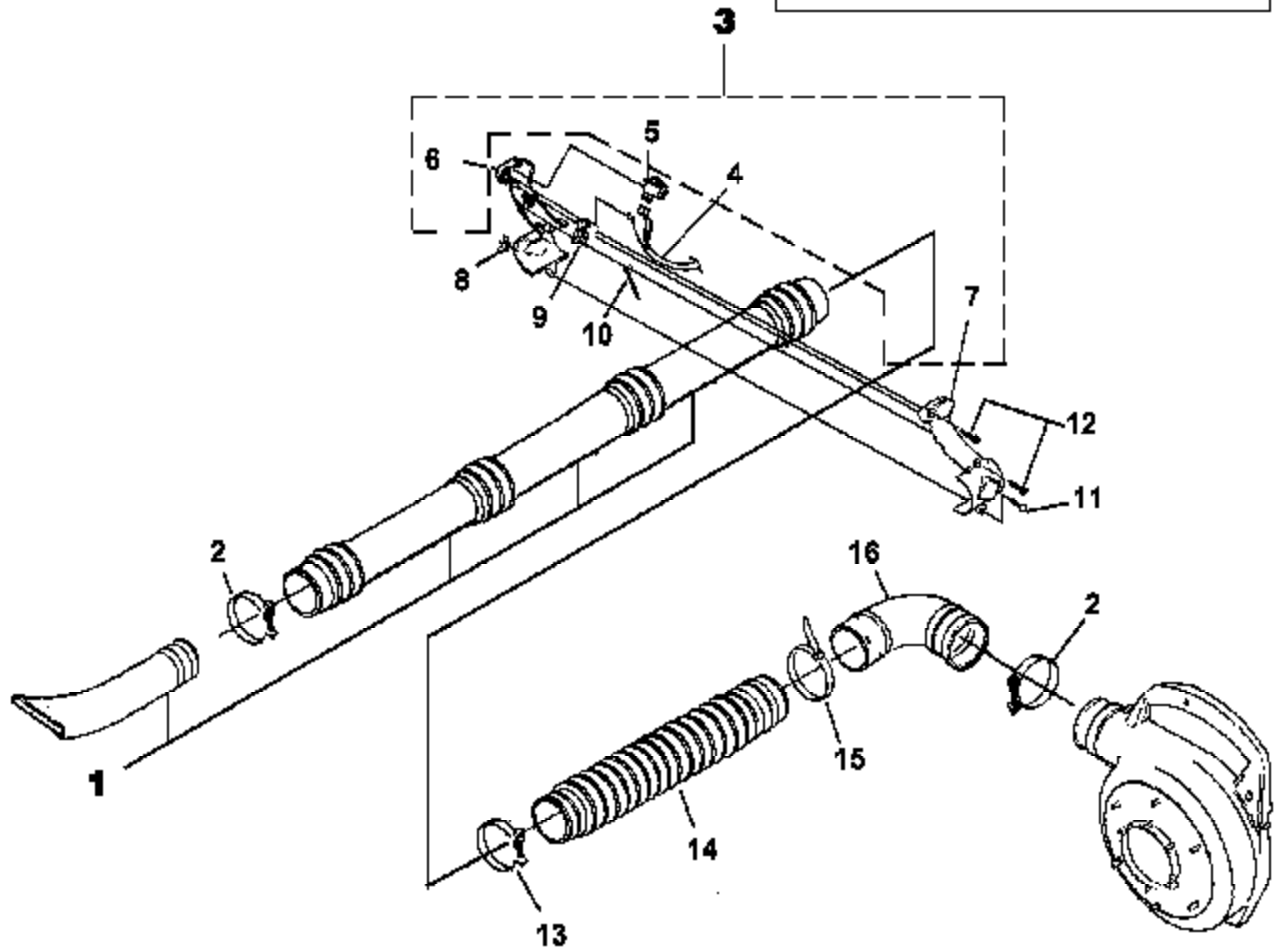
Warranty Flat Rate		
Job#	Description	Time/hr.
FA17	Ign. Switch/Lead	.3
CF21	Pistol Grip Assy.	.8
CF19	Throttle Cable	.5
CD95	Tubes	.3
CA18	Lead Wire	.5

NOTE: See Page 9 for part numbers for Volute Housing & Grille Kits.



### TUBES

BackPacker™ ... (UT08111 after S/N MB0979999)  
 BP250 (I) ..... (UT08097 after S/N MB0979999)



NO.	PART NO.	DESCRIPTION	QTY.
1	UP 05562	BLOWER TUBE KIT	1
2	UP 03821	CLAMP	2
3	UP 03794	HANDLE & SWITCH KIT	1
4	UP 06782	CABLE-Throttle w/ Ignition Leads	1
5	UP 03833	SWITCH	1
6	UP 04300	HANDLE-Control (Right)	1
7	UP 04301	HANDLE-Control (Left)	1
8	UP 03896	NUT - Wing (10-24)	1
9	UP 04346	TRIGGER	1
10	UP 03908	LATCH-Trigger	1
11	UP 03892	BOLT-Rib Neck, Rnd. Hd. (10-24 X 7/8")	1
12	UP 03900	SCREW-Thread Form. (10-14 X 3/4")	2
13	UP 03818	CLAMP (#87)	1
14	UP 03827	BELLOWS-Plastic	1
15	UP 04568	CABLE-Tie	1
16	UP 04297	ELBOW-Curved	1

TORQUE SPECIFICATIONS			
Item No.	In/Lbs	Nm	Required Lockie
12	20-30	2.3-3.4	

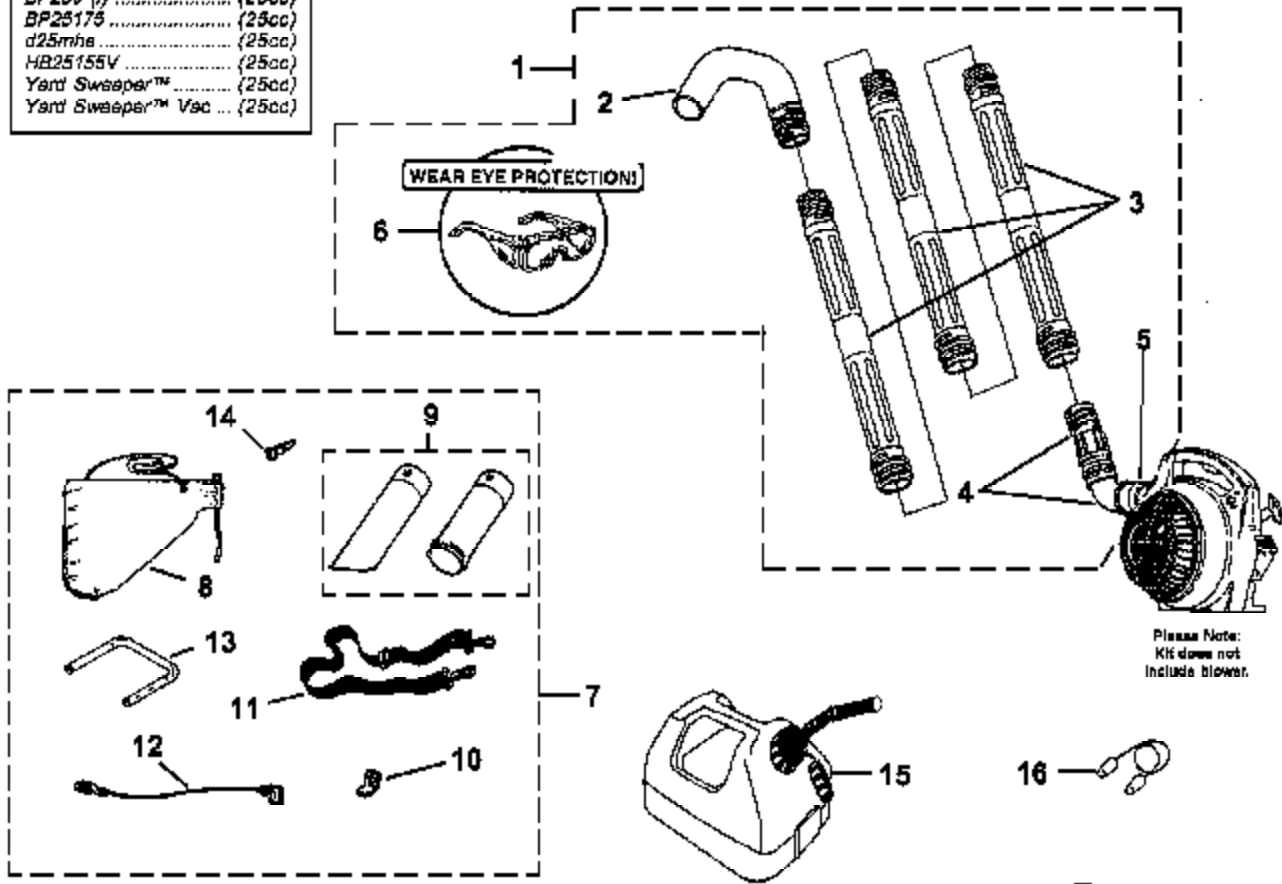
Warranty Flat Rate		
Job#	Description	Time/hr.
FA17	Ign. Switch/Lead	.3
CF21	Pistol Grip Assy.	.3
CF13	Throttle Cable	.5
CD85	Tubes	.3
CA16	Lead Wire	.5

NOTE: See Page 9 for part numbers for Valve Housing & Grille Kits.

11/6/2000

BackPacker™	(25cc)
BBV25	(25cc)
BP250 (I)	(25cc)
BP25175	(25cc)
d25mha	(25cc)
HB25155V	(25cc)
Yard Sweeper™	(25cc)
Yard Sweeper™ Vac	(25cc)

### TUBES - ACCESSORIES



Please Note:  
Kit does not  
include blower.

NO.	PART NO.	DESCRIPTION	QTY.
1	A 02514 D	GUTTER MAINTENANCE KIT (All Handheld Models)	1
2	UP 08830	FULL ELBOW	1
3	UP 05818	STRAIGHT TUBE	3
4	UP 08838	UPPER ELBOW & SWIVEL ADAPTER	1
5	UP 03821	CLAMP w/Fasteners	1
6	UP 08835	SAFETY GLASSES-Clear	1
7	UP 04152	VACUUM KIT (Yard Sweeper™, d25mha, BBV25, HB25155V)	1
8	UP 04548	LEAF BAG	1
9	UP 06705	VACUUM TUBE KIT w/ Decal	1
10	UP 03834	TAB-Male	1
11	UP 06723	HARNES-Shoulder	1
12	UP 03823	LEAD-Ground	1
13	UP 03818	HANDLE	1
14	UP 03888	SCREW	1
15	A 02878 A	GAS CAN 1 1/4 Gallon	
16	UP 06838	EAR PLUGS	
17	UP 08835	SAFETY GLASSES-Clear	
18	01231 D	EXACT MIX™ Oil - 1 pint (50:1)	
19	08581	EXACT MIX™ Oil - 2.6 oz. (50:1)	
20	UP 06778	GOGGLES	
21	UP 07694	EAR PROTECTORS	

## NOTES

For product information, technical help, dealer locations or parts ordering information visit our website at:  
[www.homelite.com](http://www.homelite.com).

**John Deere Consumer Products, Inc.**

P.O. Box 7047  
Charlotte, NC 28241  
tel: USA only - 1-800-242-4672 / fax: 1-704-588-0928

**John Deere Consumer Products Limited  
Produits Consommateurs John Deere Limitée**

1850-55e<sup>th</sup> Avenue  
Lachine, Québec, Canada H8T 3J5  
tel: Canada only - 1-800-363-5715 / fax: Canada only - 1-800-665-1588

**John Deere Consumer Products Europe B.V.**

Haverstraat 24  
2153 GB Nieuw Vennep  
The Netherlands  
tel: +31-252-687342 / fax: +31-252-687993

**John Deere Consumer Products SARL**

Rue du Paradis - BP 231 - Ormes  
45144 Saint-Jean-De-La-Ruelle  
Cedex, France  
tel: 33-23-874-2630 / fax: 33-23-870-0279

**John Deere Limited**

A.C.N. 008 671 725  
166-170 Magnesium Drive  
Crestmead, Queensland 4132  
Australia  
tel: 61-7-3802-3222 / fax: 61-7-3803-6555

**John Deere Consumer Products, Inc.**