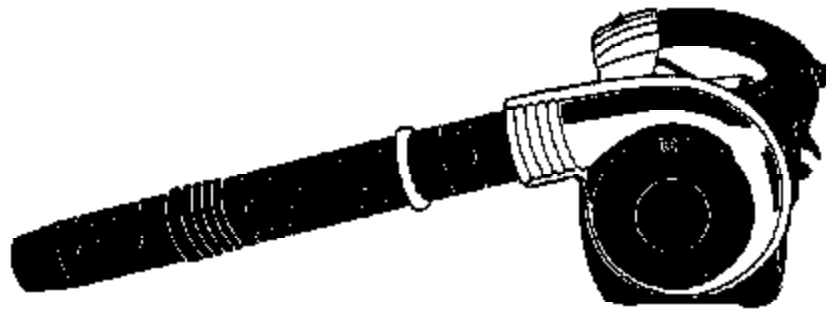


Homelite®

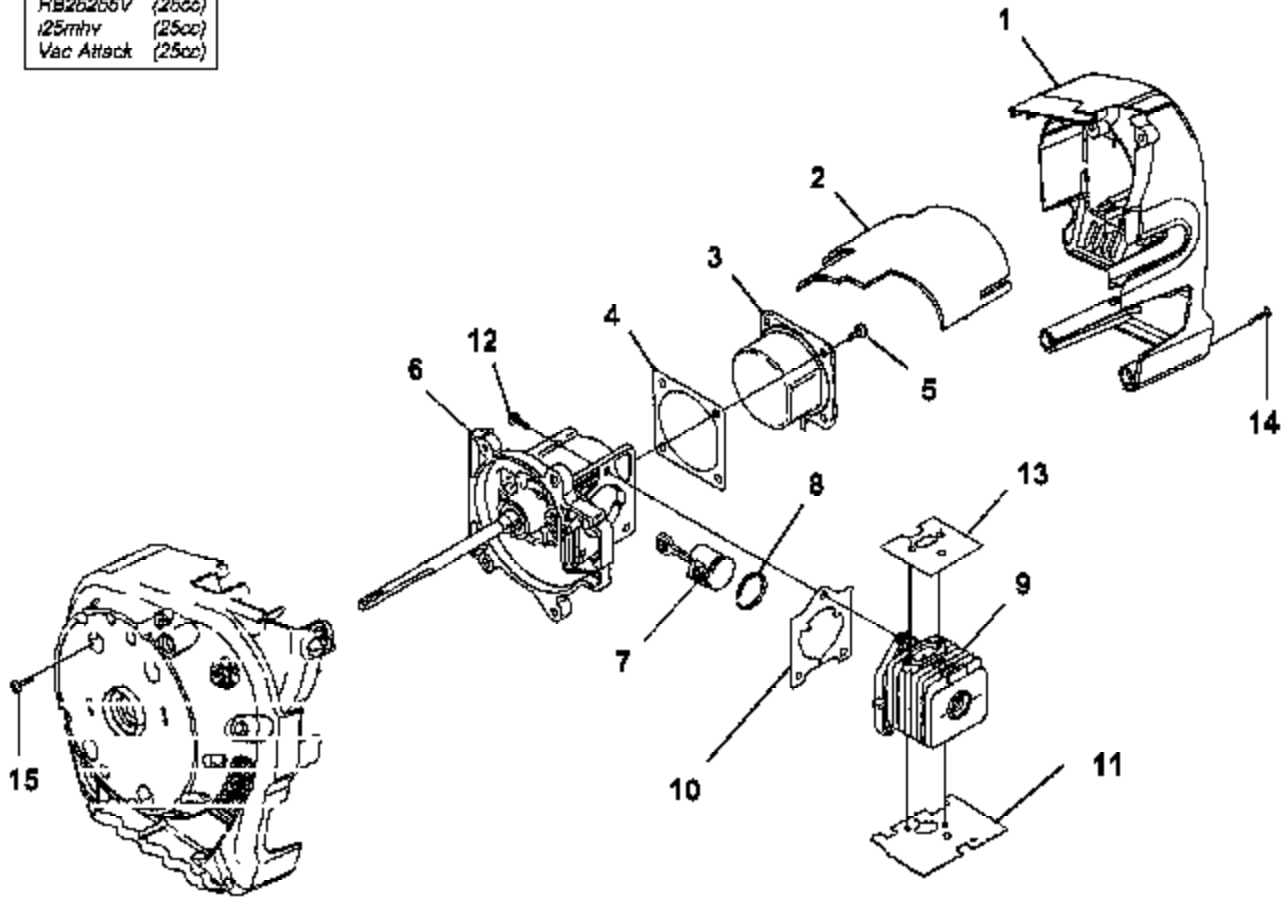
PARTS LIST



d25mhv	UT08067C,	UT08084,	UT08105
HB25255V	UT08100,	UT08121	
i25mhv	UT08090		
Vac Attack™	UT08052C,	UT08085,	UT08107

Models	
d25mhv	(25cc)
HB26265V	(26cc)
i25mhv	(25cc)
Vac Attack	(25cc)

ENGINE INTERNAL



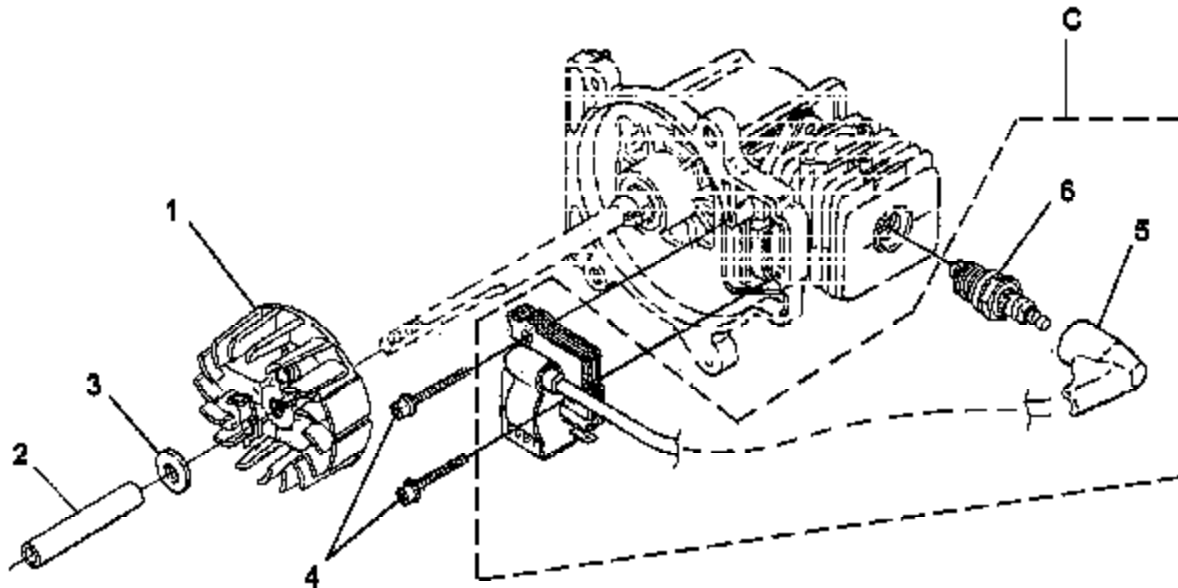
NO	PART NO	DESCRIPTION	Qty
1	UP 04314	Shroud	1
2	UP 04322	Heat Shield, Muffler	1
3	UP 08543	Crankcase Cover	1
4	UP 04335	Gasket, C/Case	1
5	UP 04295	Screw, Sems (10-24 x 5/60)	4
6	UP 03969	Short Block (Svc) (25cc)	1
7	UP 00768	Piston & Rod (25cc)	1
8	UP 09838	Piston Ring (25cc)	1
9	UP 04136	Cylinder Kit (25cc)	1
10	UP 09857	Gasket, Cylinder	1
11	UP 04308	Gasket, Heat Dam	1
12	UP 04345	Screw, Sems (12-24 x 3/4)	3
13	UP 09817	Gasket, Muffler	1
14	UP 09895	Screw, Thread Forming (10-14 x 7/8)	5
15	UP 03408	Tap/die, Truss (10-24 x 3/4)	4

Item No	Torque Specs		Required Loctite
	In/Lbs	Nm	
5	35-45	4.0-5.1	262 Red
12	55-65	6.2-7.3	262 Red
14	30-40	3.4-4.6	
15	55-60	6.2-6.8	

Warranty Flat Rate		
Job	Description	Time/hr
CB20	Short Block	1.0
CD22	Shroud	.3
CB21	Crankcase Cover	.3
CB10	Partial Engine Rebuild	1.0

Models	
d25mhv	(25cc)
HB25255V ..	(25cc)
i25mhv	(25cc)
Vac Attack ..	(25cc)

IGNITION



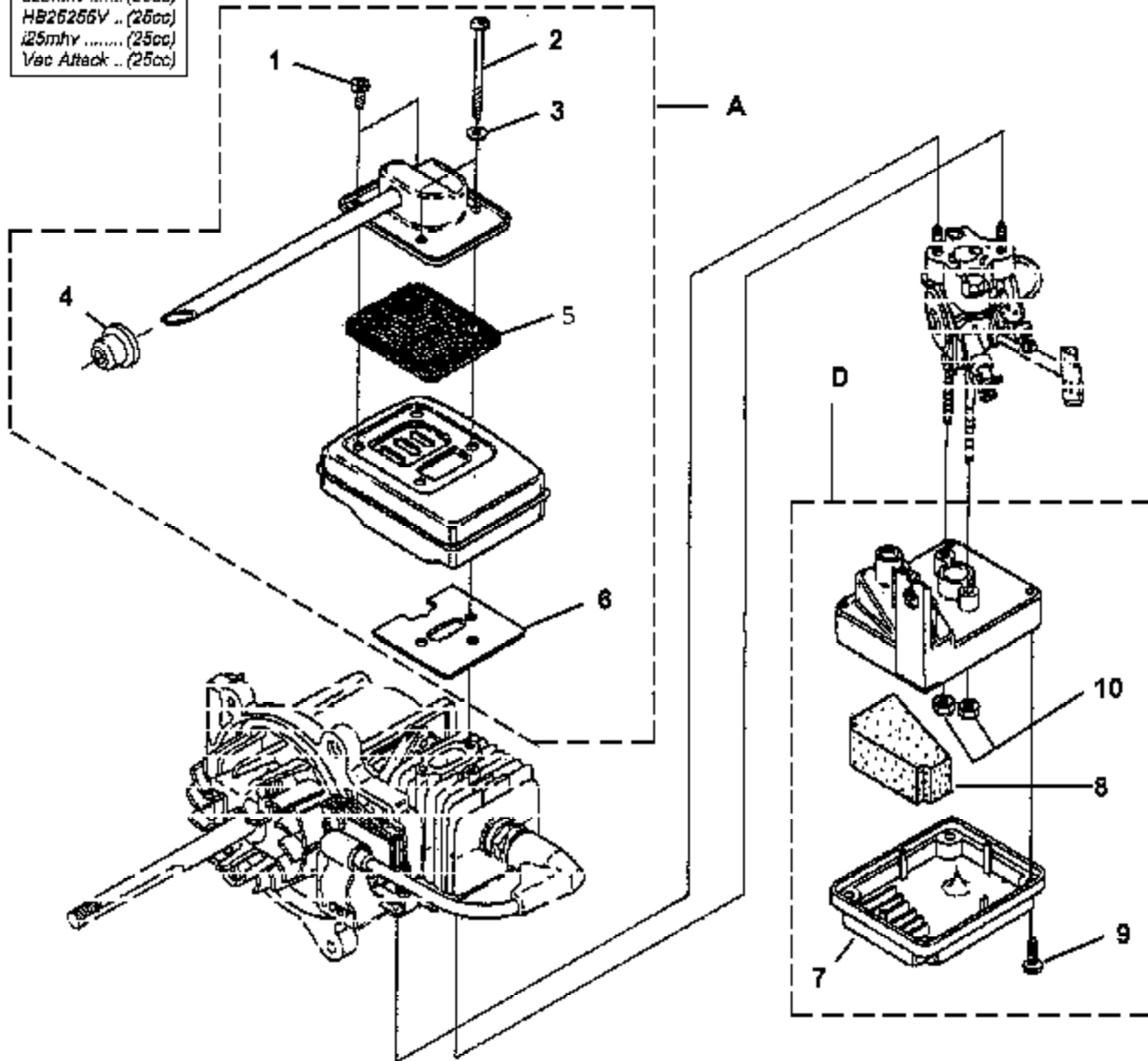
NO.	PART NO.	DESCRIPTION	Qty.
1	UP 08009	Rotor & Starter Pawls	1
2	UP 09855	Spacer	1
3	UP 09908	Washer, Flat	1
4	UP 08898	Screw-Thread Forming (8-32 X 1)	2
C	•UP 06784	Ignition Kit w/Ignition Module	1
6	UP 09868	Terminal & Cover	1
8	UP 09889	Reed Spark Plug (RDJ-7Y)	1

Item No.	Torque Specs		Required Locks
	In/Lbs	Nm	
4	30-40	3.4-4.5	242 Blue
6	120-180	13.6-20.8	

Warranty Flat Rate			
Job	Description	Time	Hr.
FA22	... Rotor	7
FA18	... Ignition Module	7

Models	
d25mhy	(25cc)
HB26256V ..	(26cc)
i25mhy	(25cc)
Vac Attack ..	(25cc)

MUFFLER - AIR CLEANER



NO.	PART NO.	DESCRIPTION	Qty.
A	UP 06823	Muffler Assembly, Crimped	1
1	UP 04248	Screw, Taplike (8-32 x 3/8)	2
2	UP 04248	Screw, Torx Truss Hd. (10-24 X 2.188")	2
3	UP 03866	Washer, Conical #10	2
4	UP 04321	Muffler Grommet	1
5	UP 04316	Screen Assy., Spark	1
6	UP 03817	Gasket, Muffler *	1
D	UP 06824	Air Filter Assembly	1
7	UP 04316	Cover, Air Box	1
8	UP 04323	Filter Element #1	1
9	UP 03893	Screw, Thread Forming (8-16 X .50)	4
10	UP 03886	Nut, Lock Hex (10-24)	2

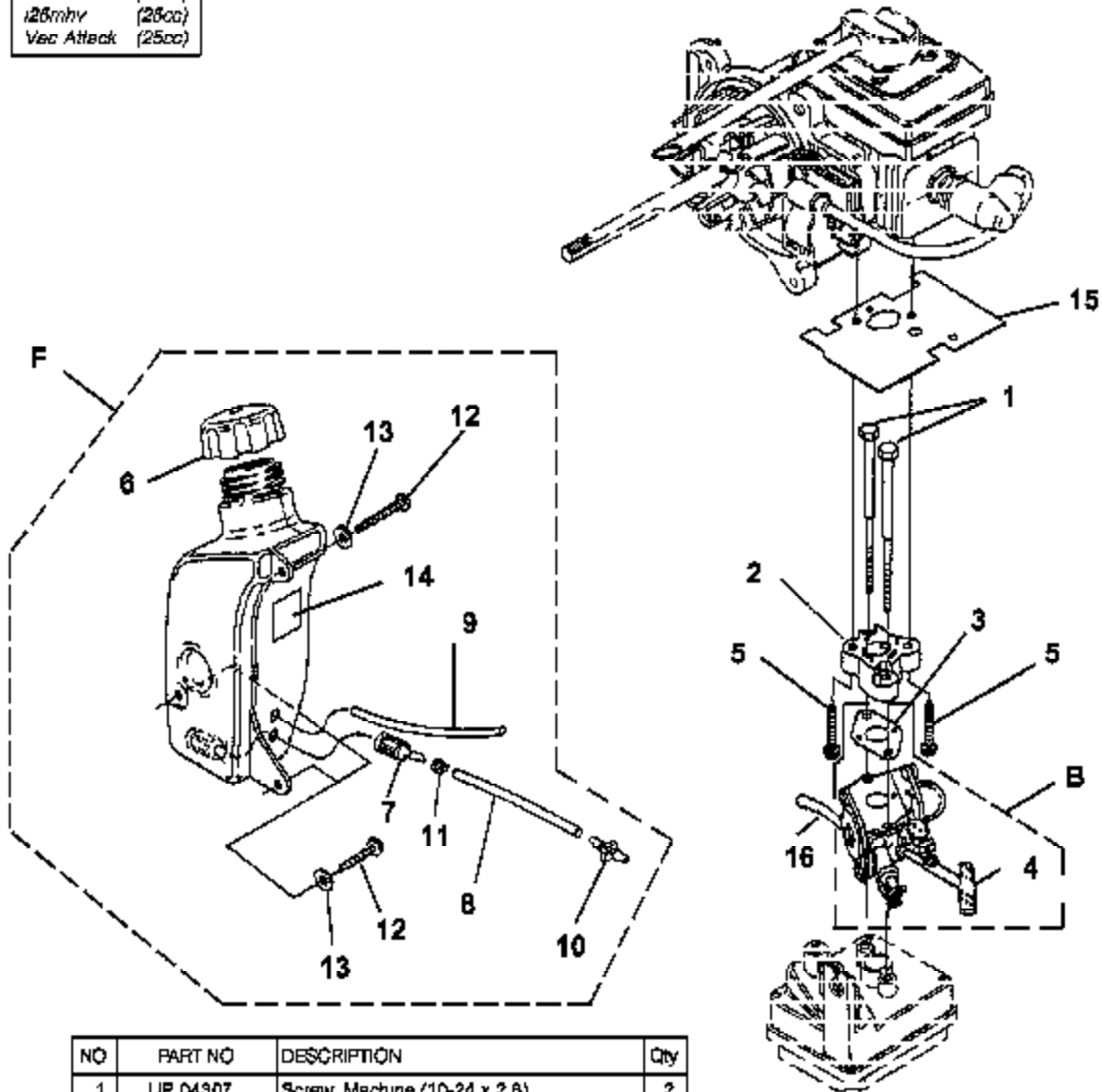
Item No.	Torque Specs		Required Loctite
	In/Lbs	Nm	
1	20-30	2.3-3.4	
2	50-60	5.6-6.8	
9	30-40	3.4-4.5	
10	30-40	3.4-4.5	

Warranty Flat Rate		
Job	Description	Time/Hr.
CB18 ...	Muffler Assy	3
CB22 ...	Spark Screen	3
CF42 ...	Air Filter Assy	3

* Also included with Short Block and Cylinder Kits.

Models	
d25mhv	(25cc)
HB25255V	(25cc)
i25mhv	(25cc)
Vac Attack	(25cc)

CARBURETOR - FUEL TANK



NO	PART NO	DESCRIPTION	Qty
1	UP 04907	Screw, Machine (10-24 x 2.6)	2
2	UP 09869	Heat Dam	1
B	UP 00654	Carburetor Assembly	1
3	UP 03916	Gasket, Carburetor *	1
4	UP 04278	Lever, Choke (Zama)	1
5	UP 04140	Screw, Sems (10-24 x 1") *	2
F	UP 00495	Fuel Tank Assy	1
6	UP 04708	Fuel Cap	1
7	UP 03871	Fuel Filter	1
8	UP 04947	Tubing, Rubber (3")	1
9	UP 04294	Tubing, Rubber (5")	1
10	UP 04810	Fitting, Inlet (small for 2.5mm ID fuel line)	1
	UP 03831	Fitting, Inlet (large for 3mm ID fuel line)	1
11	UP 09819	Clamp, Wire	1
12	UP 03900	Screw, Thread Forming (10-14 x 3/4)	3
13	UP 03987	Washer	3
14	UP 09807	Tap, Aluminum	1
15	UP 04908	Gasket, Heat Dam *	1
16	UP 04294	Tubing, Rubber (5")	1

Item No	Torque Specs		Required Loctite
	In/Lbs	Nm	
1	30-40	3.4-4.5 **	
5	50-80	5.6-8.8	262 Red
12	30-40	3.0-4.0	

** See Torque Specs, page 4 - Item 10

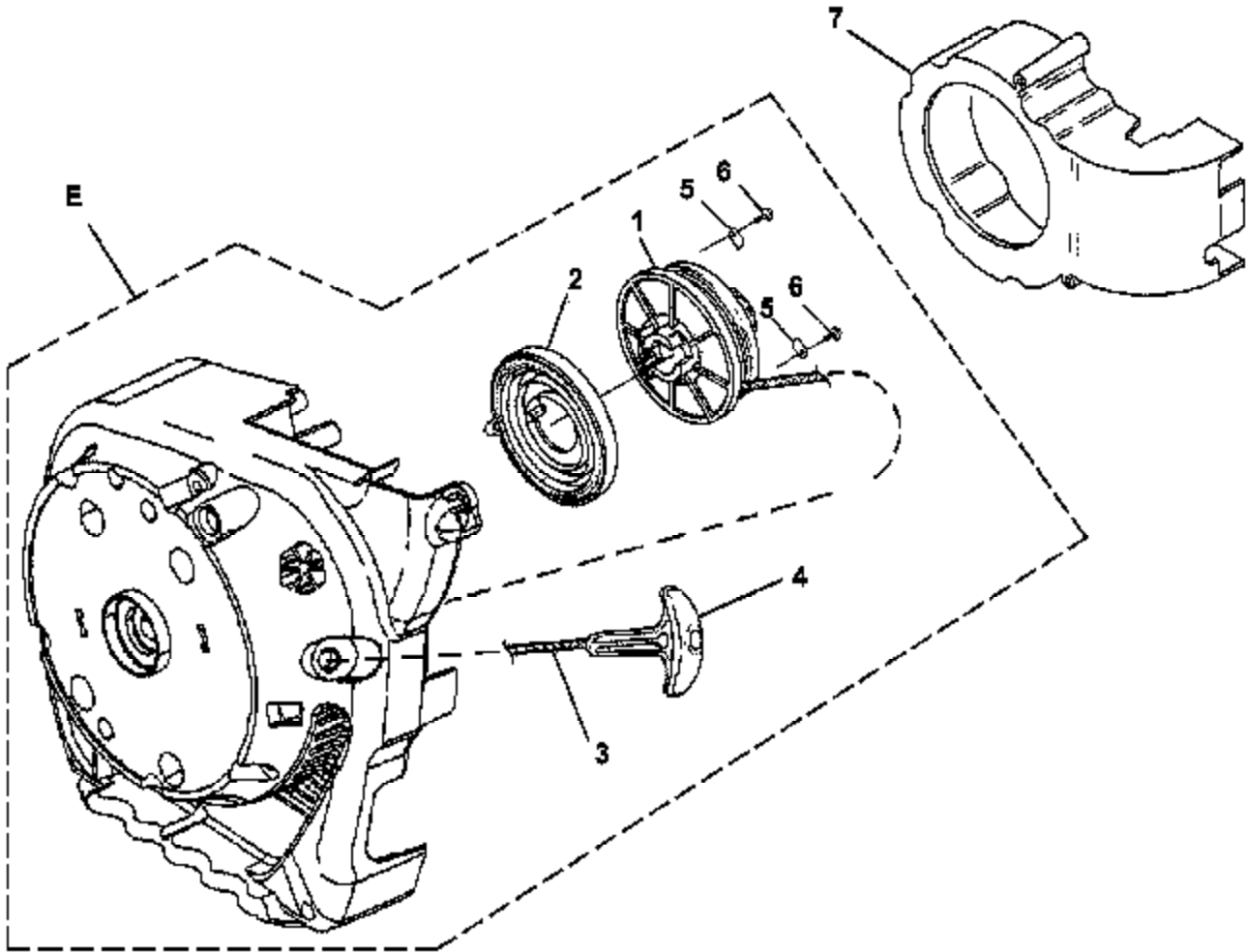
Job	Warranty Flat Rate	
	Description	Time/Hr
CF17	Heat Dam	3
CF10	Carburetor/Replace	3
FF16	Choke Lever	3
CF16	Fuel Tank	3
CF12	Fuel Line/Fuel Return	3

* Also included with Cylinder Kit

11/8/2000

Models	
d25mhv	(25cc)
HB25255V ..	(25cc)
i25mhv	(25cc)
Vac Attack ..	(26cc)

STARTER



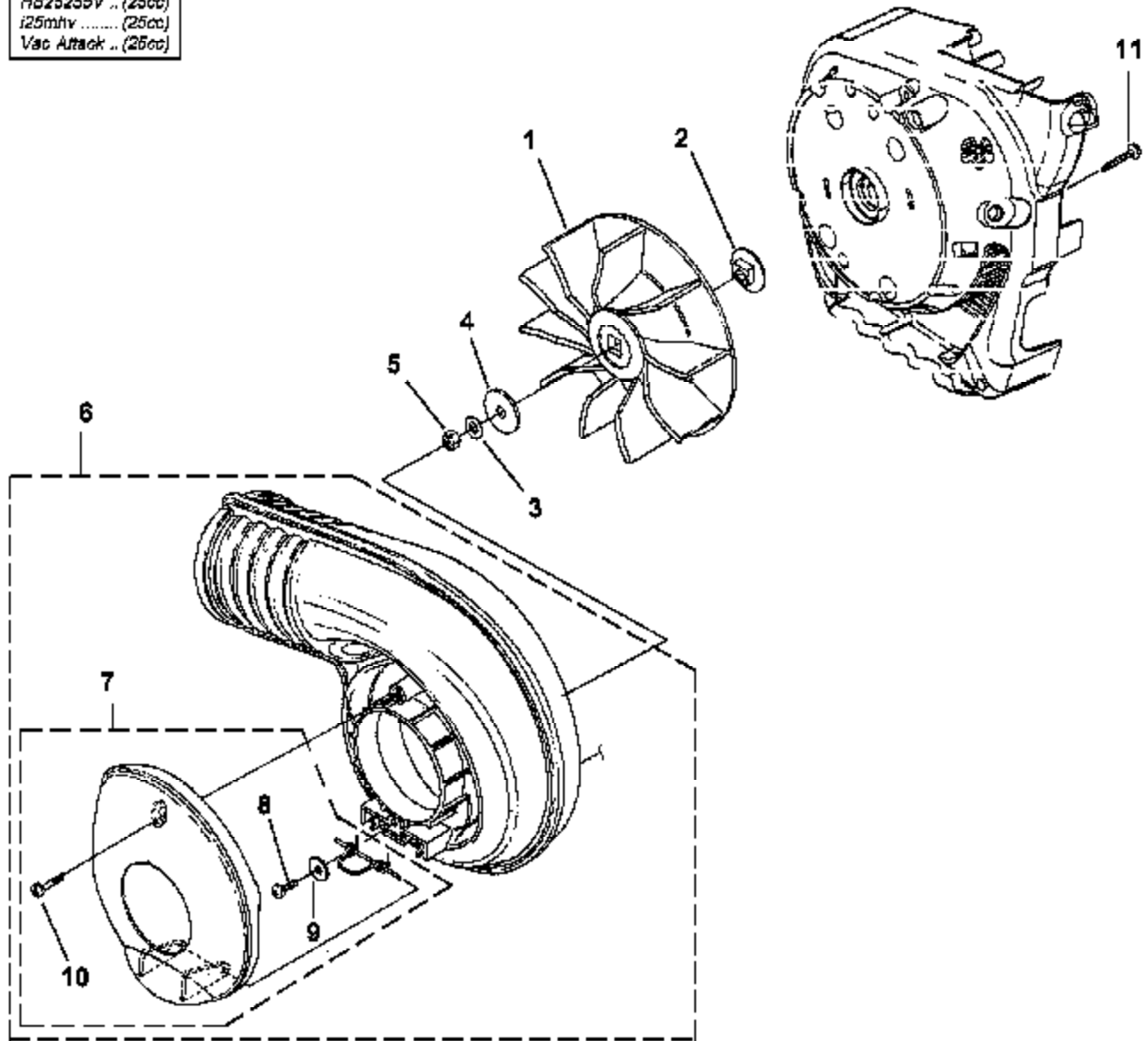
NO.	PART NO.	DESCRIPTION	Qty.
E	UP 00497	Starter (Svc)	1
1	UP 04348	Pulley, Starter	1
2	UP 03817	Spring & Container	1
3	UP 03812	Rope, Starter 42"	1
4	UP 03026	Grip, Starter (Yellow)	1
	UP 04276	Grip, Starter (Black)	1
5	UP 03819	Bracket-Retaining	2
6	UP 03807	Screw-Plastic (#10-1/2")	2
7	UP 04818	Scroll	1

Item No.	Torque Spec		Required Loctite
	In/Lbs	Nm	
8	30-40	3.4-4.5	

Warranty Flat Rate		
Job	Description	Time/Hr.
CG10	Starter Assy	.8
CD60	Scroll	.8

Models	
d25mhv	(25cc)
HB25255V ..	(25cc)
i25mhv	(25cc)
Vac Attack ..	(25cc)

VOLUTE - FAN



NO.	PART NO.	DESCRIPTION	Qty.
1	UP 04311	Fan	1
2	UP 04303	Adapter, Fan	1
3	UP 03835	Washer, Belleville	1
4	UP 03873	Washer, Flat	1
5	UP 03884	Nut (3/8-24)	1
6	UP 05699	Volute W/Door Assembly	1
7	UP 08898	Volute Door	1
8	UP 08897	Screw, Thread Forming (10-14 X 1/2)	1
9	UP 03906	Washer	1
10	UP 04647	Screw, Machine (10-24 X 3/4)	1
11	UP 03885	Screw, Plastics (10-14 X 7/8)	5

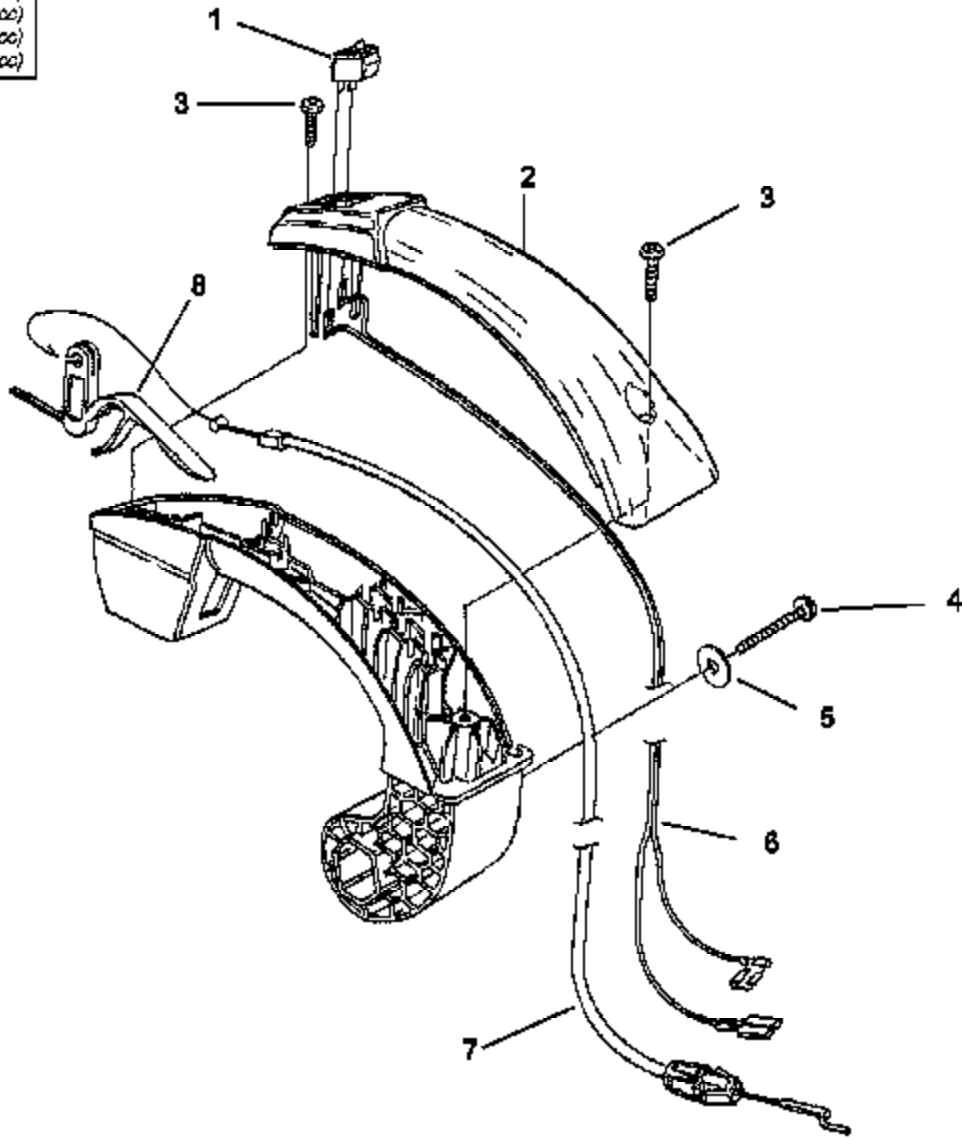
Item No.	Torque Specs		Required Location
	In/Lbs	Nm	
5	130-150	14.7-17.0	
8	30-40	3.4-4.5	
10	15-20	1.7-2.3	
11	85-45	4.0-5.0	

Warranty Flat Rate		
Job	Description	Time/Hr.
CD81	.. Fan	5
CD80	.. Volute	4
CD24	.. Volute Door	3

11/02/000

Models	
d23mhv	(25cc)
HB25255V	(25cc)
i25mhv	(25cc)
Vac Attack	(25cc)

HANDLE



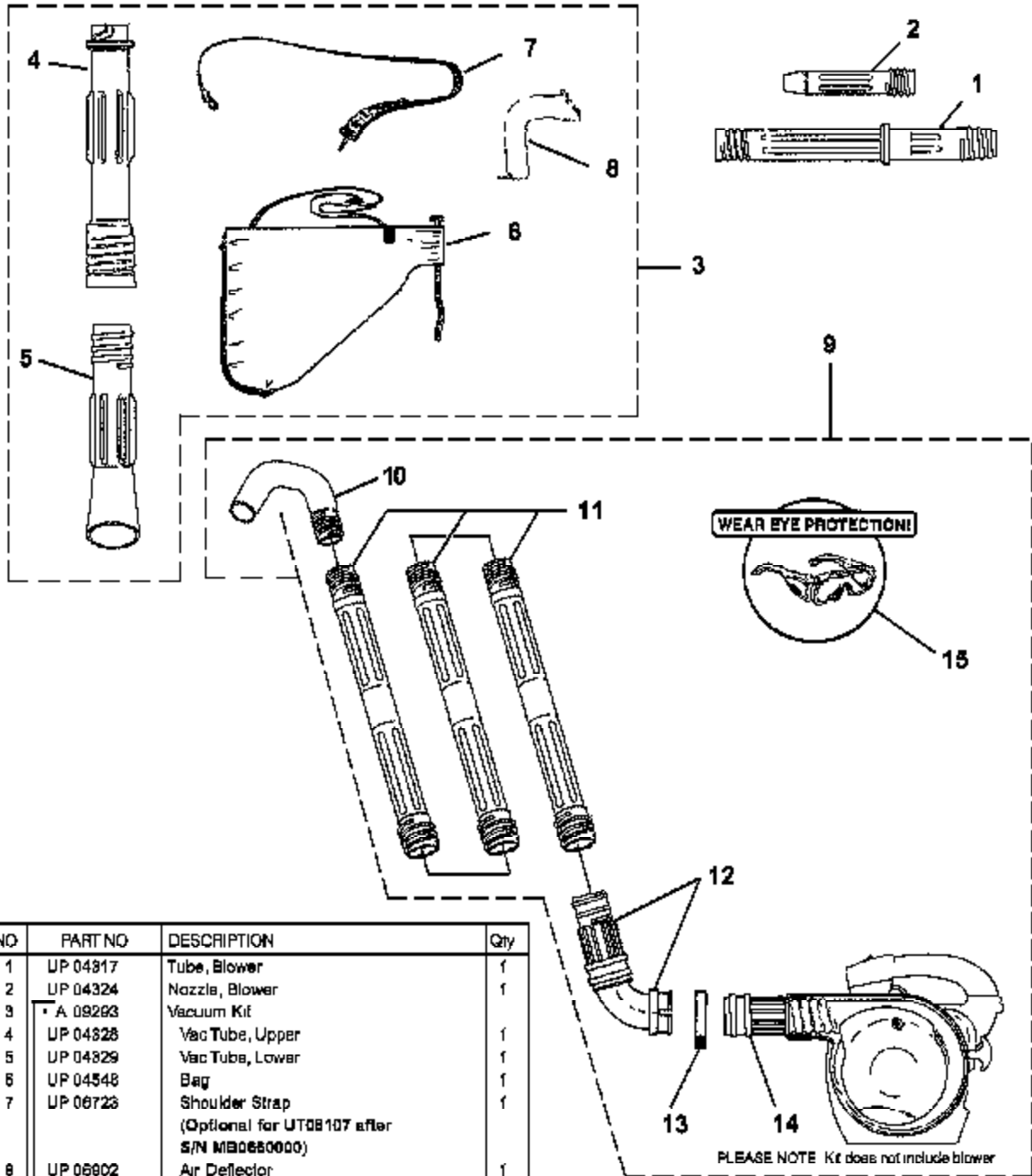
NO	PART NO	DESCRIPTION	Qty
	UP 06900	Handle Assembly	1
1	UP 04320	Switch, Rocker (Stop)	1
2	UP 04325	Handle Cover	1
3	UP 03896	Screw, Thread Forming (8-16 X 1/2)	2
4	UP 03895	Screw, Thread Forming (10-14 X 7/8)	1
5	UP 06901	Washer, Flat	1
6	UP 04333	Kill Switch Lead	1
7	UP 04327	Cable, Throttle	1
8	UP 04326	Trigger	1

Item No	Torque Specs		Required Locks
	In.Lbs	Nm	
3	10-25	1.1-2.8	
4	30-45	3.4-5.1	

Warranty Flat Rate		
Job	Description	Time/Hr
CD20	Handle	4
CA17	Switch	3
CF13	Throttle Cable	4
CF35	Trigger	3
CA16	Lead Wire	8

Models	
d25mhv	(25cc)
MB25255V	(25cc)
r25mhv	(25cc)
Vac Attack	(25cc)

TUBES - STRAP - ACCESSORIES



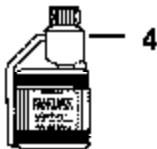
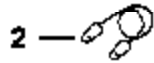
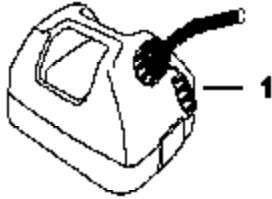
NO	PART NO	DESCRIPTION	Qty
1	UP 04317	Tube, Blower	1
2	UP 04324	Nozzle, Blower	1
3	A 09293	Vacuum Kit	1
4	UP 04328	Vac Tube, Upper	1
5	UP 04329	Vac Tube, Lower	1
6	UP 04548	Bag	1
7	UP 06723	Shoulder Strap (Optional for UT08107 after S/N MB0650000)	1
8	UP 06902	Air Deflector	1
9	A 02514 D	Gutter Maintenance Kit	1
10	UP 06830	Full Elbow	1
11	UP 05818	Straight Tube	3
12	UP 06836	Upper Elbow & Swivel Adapter	1
13	UP 03821	Large Clamp	1
14	UP 06868	Adapter	1
15	UP 06895	Safety Glasses - Clear	1

Part No	Special Tools Description
18416	Electronic Tachometer
18774	Fuel Mix Tester
23488 C	Thread Locking Compound
24982 03	T25 Torx Bit 8" Long
84194	Compression Tester
JA 31316 4	Spark Tester

11/8/2000

Models
d25mhy (25cc)
HB26256V .. (26cc)
i25mhy (25cc)
Vac Attack .. (25cc)

ACCESSORIES



NO.	PART NO.	DESCRIPTION	Qty.
1	A 02978 A	GAS CAN 1 1/4 Gallon	
2	UP 06838	EAR PLUGS	
3	UP 06835	SAFETY GLASSES-Clear	
4	01231 D	EXACT MIX™ Oil - 1 pint (50:1)	
5	A 06778	GDGLES	
6	UP 07684	EAR PROTECTORS	

NOTES

For product information, technical help, dealer locations or parts ordering information visit our website at:
www.homelite.com

John Deere Consumer Products, Inc.
P.O. Box 7047
Charlotte, NC 28241
tel: USA only - 1-800-242-4672 / fax: 1-704-588-0826

John Deere Consumer Products Limited
Produits Consommateurs John Deere Limitée
1850-55th Avenue
Lachine, Québec, Canada H8T 3J5
tel: Canada only - 1-800-363-5715 / fax: Canada only - 1-800-665-1588

John Deere Consumer Products Europe B.V.
Haverstraat 24
2153 GB Nieuw Vennepe
The Netherlands
tel: +31-252-687342 / fax: +31-252-687003

John Deere Consumer Products SARL
Rue du Paradis - BP 231 - Ormes
45144 Saint-Jean-De-La-Ruelle
Cedex, France
tel: 33-23-874-2630 / fax: 33-23-870-0278

John Deere Limited
A.C.N. 008 671 725
166-170 Magnesium Drive
Crestmead, Queensland 4132
Australia
tel: 61-7-3802-3222 / fax: 61-7-3803-6555

John Deere Consumer Products, Inc.