

# Homelite®

## PARTS LIST

### MODELS

**z625cd**  
(UT20617)  
(UT20617-A)

**s825cdv**  
(UT20632)  
(UT20632-A)

**d830sb**  
(UT15108)  
(UT15108-1)

**z625cdv**  
(UT20631)

**s825sdv**  
(UT20633)

**z825sd**  
(UT20619-A)

**d630cd**  
(UT20622)

**d830ca**  
(UT20642)

**st725cdr**  
(UT20635-R)

**z725ca**  
(UT20643)

**d830sba**  
(UT15115)

**st725cbr**  
(UT15114-R)

**z725cb**  
(UT15107)  
(UT15107-1)

**d830cb**  
(UT15109)  
(UT15109-1)

**z830sb**  
(UT15106)  
(UT15106-1)

**z725cdv**  
(UT20623)

**d830sd**  
(UT20621)

**st730sdr**  
(UT20637-R)

**d730cdv**  
(UT20620)

**z830sba**  
(UT15116)

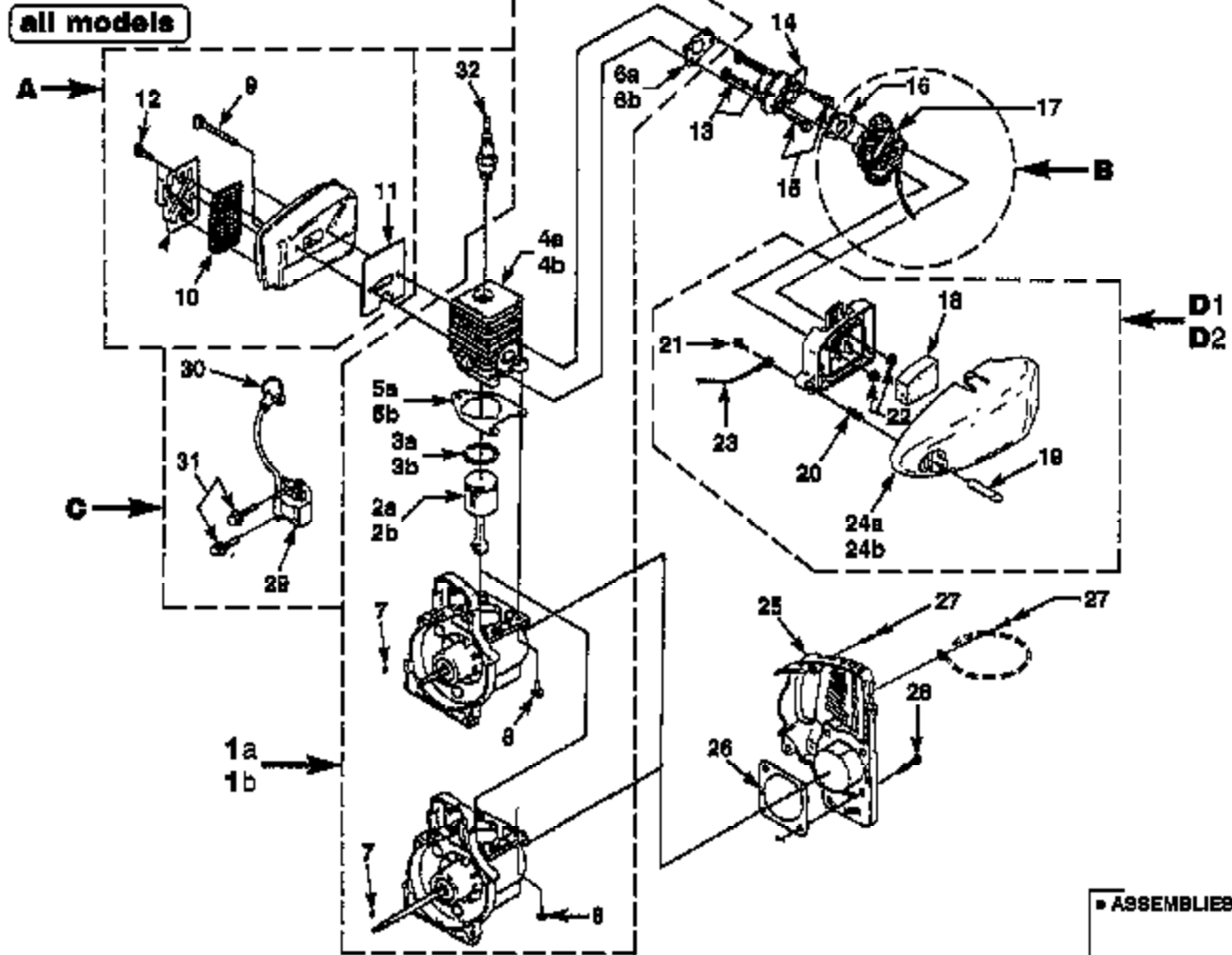
**bc730sbr**  
(UT15113-R)

#### NOTE

THIS PARTS LIST COVERS ONLY UT NUMBERS SHOWN.  
See Back Cover for Model Designation Explanation Chart.

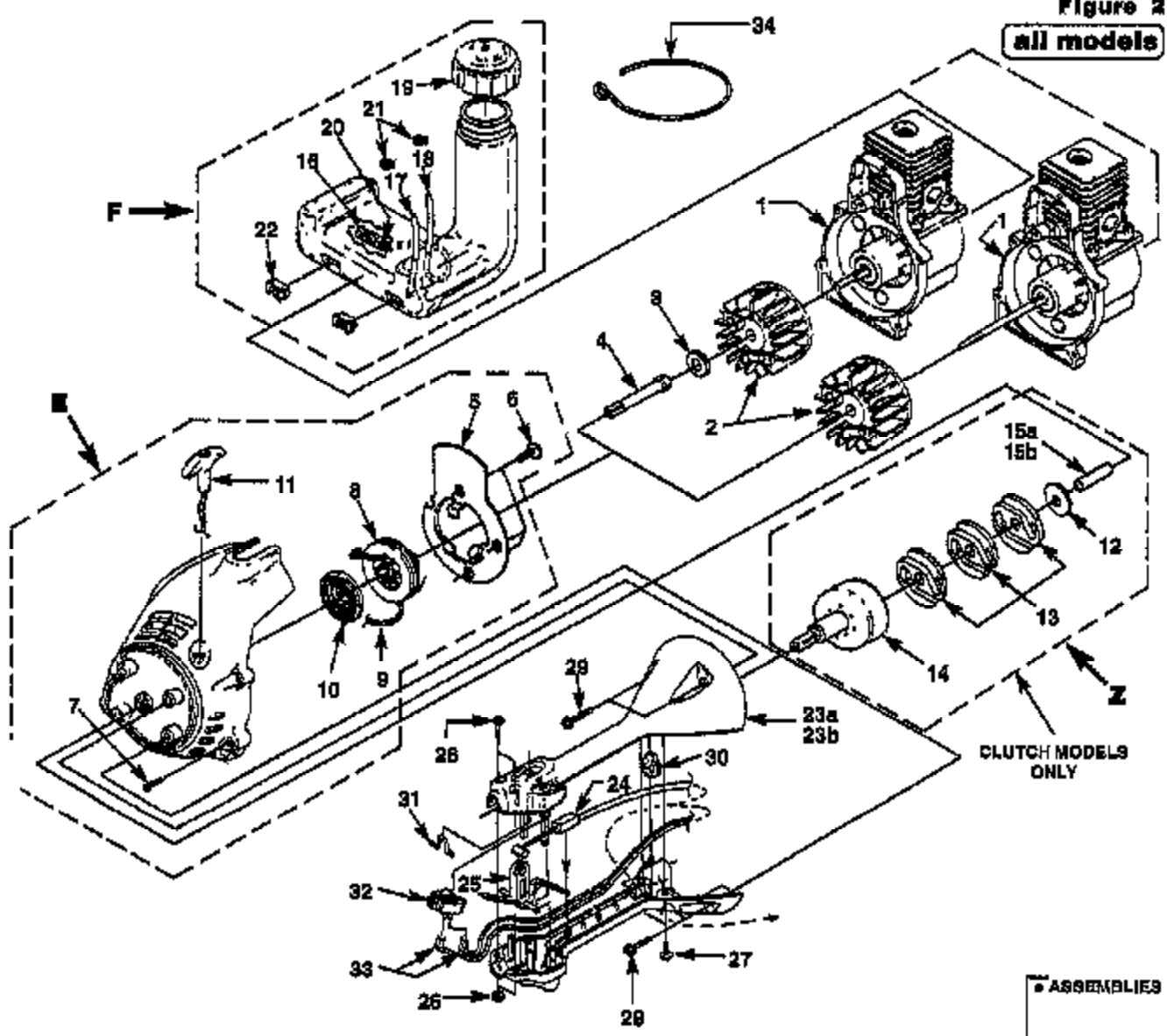
Printed In U.S.A.  
**PART NO. 19486-A**

Figure 1



NO.	PART NO.	DESCRIPTION	Qty.	NO.	PART NO.	DESCRIPTION	Qty.
1a	•A- 07134	REPOWER SHORT BLOCK (30CC Non-Clutch Models)	1	■	•A- 07139	CARBURETOR	1
1b	•A- 07136	REPOWER SHORT BLOCK (30CC Clutch Models)	1	16	98786 - 1	GASKET-Carburetor	1
NOTE: BOTH SHORT BLOCKS include the following:				17	07377	LEVER-Choke Rod-(ZAMA)	1
2a	•A- 03689	30CC PISTON & ROD	1	18	07378	LEVER-Choke Rod-(WALBRO)	1
3a	03178	RING-Piston	2	D1	•A- 07140	AIR FILTER KIT W / PUSH-BUTTON STOP	1
4a	•A- 07146 - A	30CC CYLINDER KIT	1	18	D- 06615	FILTER-Air	1
4a	04388 - B	GASKET-Cylinder	1	19	06618	BUTTON-Switch	1
4a	06900 - A	GASKET-Heat Dam (Also includes #'s 11 & 26)	1	20	95020	SPRING-Compression	1
7	89250	KEY-Woodruff	1	21	82518	SCREW-Plastic (#6-19 X 1/2")	1
8	82569 - 1	SCREW-Thread Form. (10-24 X 3/4")	8	22	81208	NUT-Hex (10-24)	2
4b	•A- 07146	25CC CYLINDER KIT	1	23	•A- 07238	LEAD-Electrode	1
5b	04388 - B	GASKET-Cylinder	1	24a	06922	COVER-Air Filter	1
5b	05800 - A	GASKET-Heat Dam (Also includes #'s 11 & 26)	1	D2	•A- 07157	AIR FILTER KIT W / O PUSH-BUTTON STOP	1
2b	•A- 04256	25CC PISTON & ROD	1	18	D- 06615	FILTER-Air	1
3b	98935	RING-Piston	1	22	81208	NUT-Hex (10-24)	2
A	•A- 07142	MUFFLER KIT	1	24b	07051	COVER-Air Filter	1
9	82599	SCREW-Machine (#10-24 X 2")	2	25	•A- 07138	CRANKCASE COVER	1
10	06502	SCREEN-Spark	1	26	06449	GASKET-Crankcase Cover (Also included with #4)	1
11	98786 - C	GASKET-Muffler (Also included with #4)	1	27	82563	SCREW-Plastic (#10 X 3/4")	3
12	80939	SCREW-Machine-Pan Slotted (3-32 X 3/4")	3	28	82538	SCREW-Taprite (10-24 X 7/8")	4
13	04474	SCREW-Machine (10-24 X 2 1/4")	2	C	•A- 04446	IGNITION KIT	1
14	98788	HEAT DAM	1	28	84711 - C9	MODULE-Ignition	1
15	82549 - 1	SCREW-Taprite (10-24 X 1")	2	30	•A- 33035	TERMINAL & COVER	1
				31	82540	SCREW-Taprite (8-32 X 1")	2
				32	95189 - B	SPARK PLUG	1

**Figure 2**  
**all models**

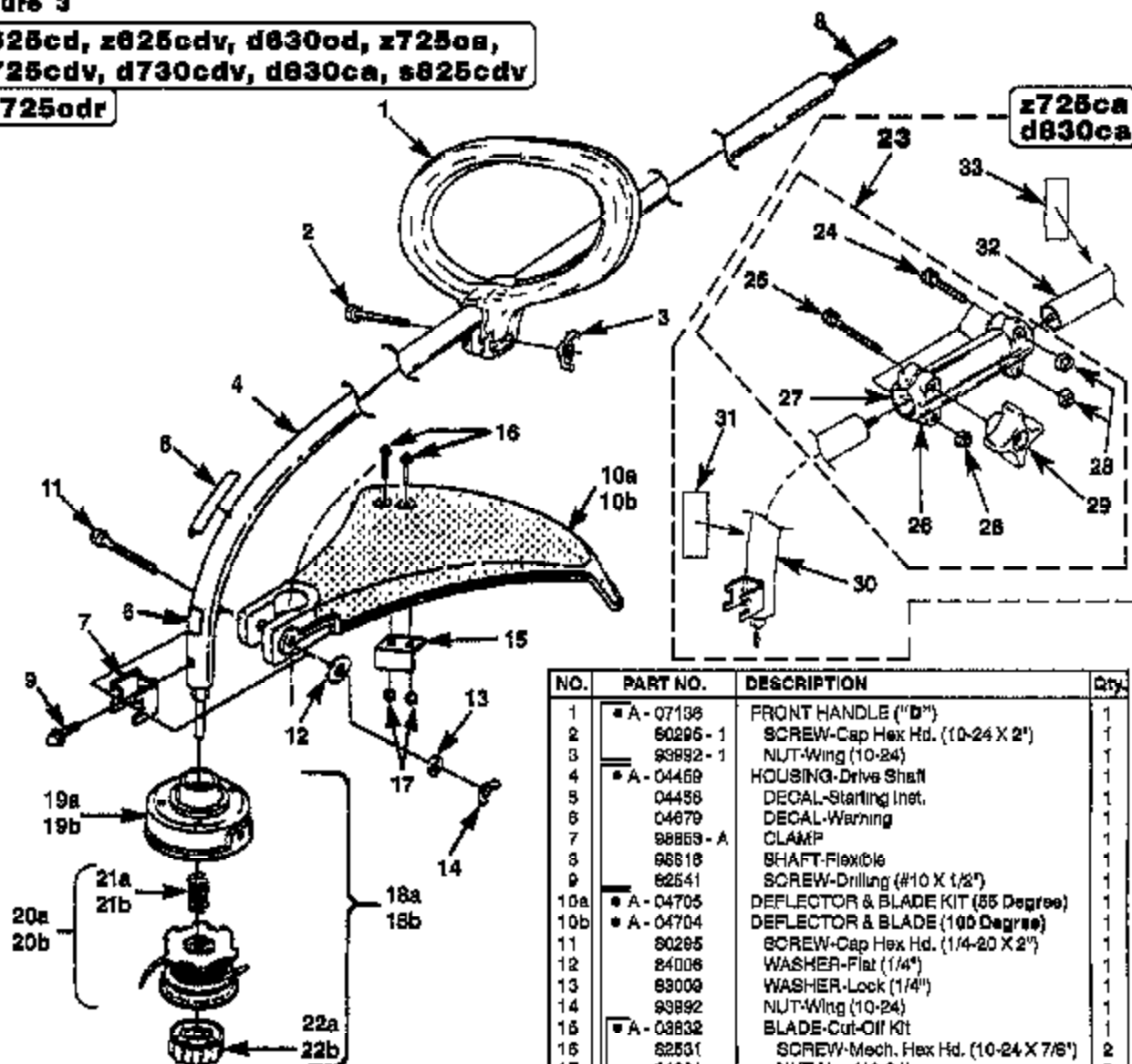


NO.	PART NO.	DESCRIPTION	Qty.
1	*	SHORT BLOCK (Ref. Pg. 2, Item 1a, 1b)	1
2	A-04158	ROTOR w/ Starter Pawls	1
3	84065	WASHER-Flat (5/16)	1
4	88795-A	CONNECTOR-Drivs	1
E	A-07143	COMPLETE STARTER ASSEMBLY	1
5	00641-A	PLATE-Baffle	1
6	82543	SCREW-Plastic (8-16 X 5/8")	3
7	82538	SCREW-Thread Form. (10-24 X 3/4")	4
8	98770-A	PULLEY-Starter	1
9	87898-02	ROPE-Starter (42")	1
10	A-98778-A	SPRING & CONTAINER	1
11	06698	GRIP-Starter	1
Z	A-04656	CLUTCH & DRUM KIT (z725ob, z725obc, bo730abr, d830cb, d830cb, d830cbe, z830ab, z830abw)	1
12	88928-A	WASHER-Flat	1
13	00242	CLUTCH	3
14	A-03485-A	CONNECTOR & DRUM	1
15a	03566-1	SPACER (30CC) 3 Spine Clutch	1
15b	03566-2	SPACER (25CC) 2 Spine Clutch	1

NO.	PART NO.	DESCRIPTION	Qty.
F	A-07141-A	FUEL TANK COMPLETE	1
16	49422	FILTER-Fuel	1
17	84772-22	TUBING-Rubber (5 1/2")	1
18	84772-28	TUBING-Rubber (7")	1
19	DA-08488	FUEL CAP	1
20	98288	CLAMP	1
21	98428	CLAMP	2
22	98792	BUMPER-Rubber	4
23a	A-07144	CONTROL HANDLE (W/O Switch)	1
24	06603-A	CABLE-Throttle	1
25	06605	TRIGGER	1
26	81208	NUT-Hex (#10-24)	2
27	82687	SCREW-Plastic (#10-14 X 7/8")	2
28	82558	SCREW-Machine (#10-24 X 1 1/4")	2
29	82658	SCREW-Plastic (#10-14 X 1 1/8")	4
30	06820	STOP-Drive Shaft	1
31	06802	HOOK-Strap	1
23b	A-07158	CONTROL HANDLE (Ignition Switch Models) (Includes 24-31)	1
32	07920	SWITCH-Rocker	1
33	A-07149	LEADS-Electrical	2
34	07163	SUPPORT-Wire	1

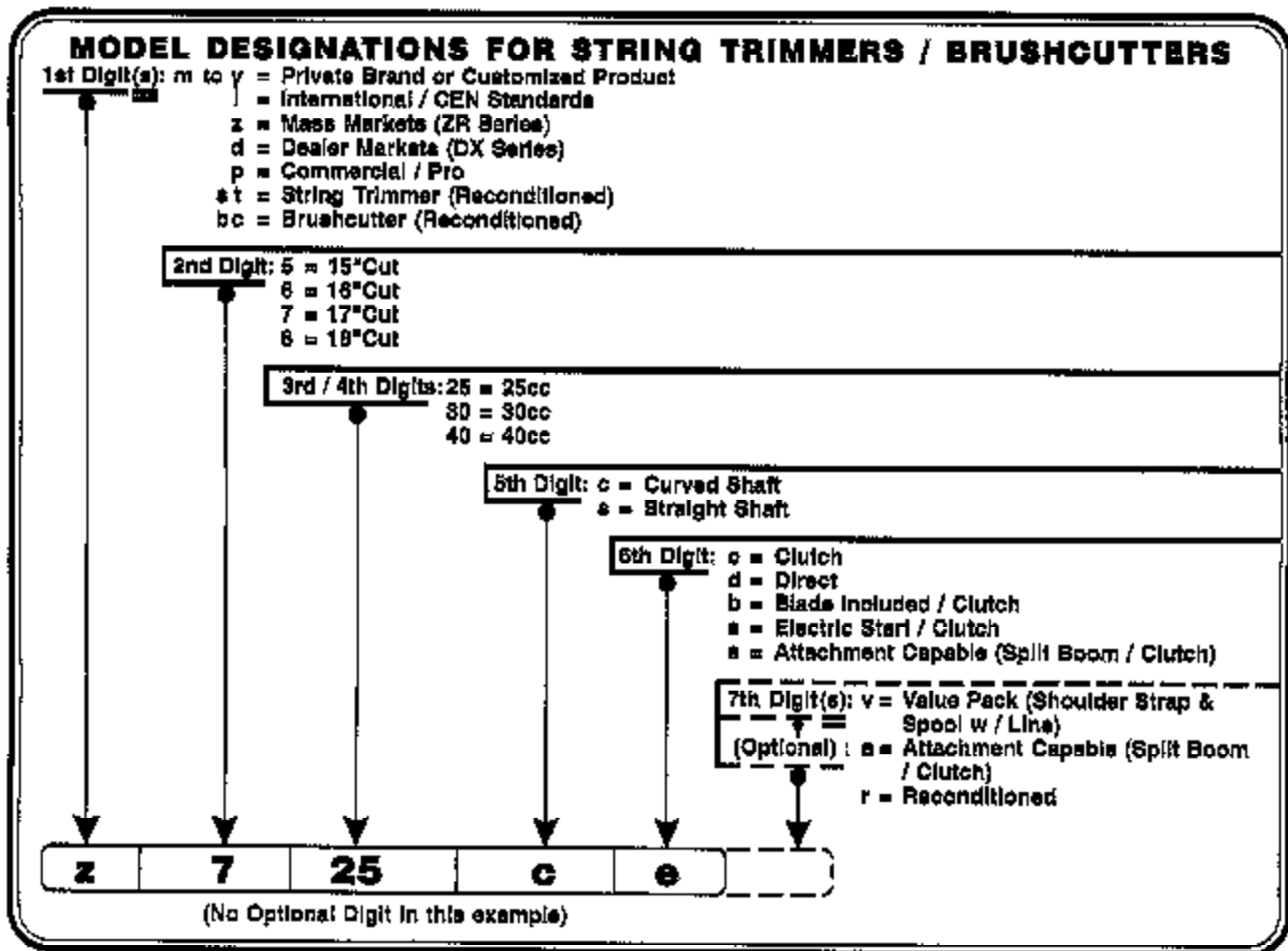
**Figure 3**

**z625cd, z625cdv, d630od, z725oa,  
z725cdv, d730cdv, d630ca, s625cdv  
st725odr**



NO.	PART NO.	DESCRIPTION	Qty.
1	• A - 07136	FRONT HANDLE ("D")	1
2	60295 - 1	SCREW-Cap Hex Hd. (10-24 X 2")	1
3	99892 - 1	NUT-Wing (10-24)	1
4	• A - 04459	HOUSING-Drive Shaft	1
5	04458	DECAL-Starting Inet.	1
6	04679	DECAL-Warning	1
7	98859 - A	CLAMP	1
8	98818	SHAFT-Flexible	1
9	62541	SCREW-Drilling (#10 X 1/2")	1
10a	• A - 04705	DEFLECTOR & BLADE KIT (55 Degree)	1
10b	• A - 04704	DEFLECTOR & BLADE (100 Degree)	1
11	60295	SCREW-Cap Hex Hd. (1/4-20 X 2")	1
12	84006	WASHER-Flat (1/4")	1
13	89009	WASHER-Lock (1/4")	1
14	99892	NUT-Wing (10-24)	1
15	• A - 03832	BLADE-Cut-Off Kit	1
16	62531	SCREW-Mech. Hex Hd. (10-24 X 7/8")	1
17	81281	NUT-Hex (10-24)	2
18a	• DA - 08001 - A	STRINGHEAD-Complete (.080" Line)	1
19a	A - 98291 - A	HOUSING & EYELET (Dual Line)	1
20a	• DA - 68912 - E	SPOOL & STRING & SPRING(.080" Line)	1
21a	06713	SPRING-Compression	1
22a	DA - 98886 - A	RETAINER-Spool (R.H. Thread, Black)	1
<b>d630od, d730cdv, d630ca</b>			
18b	• DA - 04591 - A	STRINGHEAD COMPLETE (.095" Line)	1
19b	A - 98291 - A	HOUSING & EYELET (Dual Line)	1
20b	• DA - 02568 - C	SPOOL & STRING & SPRING(.095" Line)	1
21b	06713	SPRING-Compression	1
22b	DA - 98886 - A	RETAINER-Spool (R.H. Thread, Black)	1
<b>d630ca, z725oa</b>			
23	• A - 07901	COUPLER ASSEMBLY	1
24	82278 - 1	BOLT-Hex Hd.	8
25	60295	SCREW-Cap Hex (1/4-20 x 2")	1
26	GM- 23611 - 1	SPLIT BOOM (L.H.)	1
27	GM- 23611 - 2	SPLIT BOOM (R.H.)	1
28	81267	NUT-Hex (1/4-20)	3
29	GM- 28620 - 4	KNOB	1
30	• A - 07908	DRIVE SHAFT HOUSING-(Lower)	1
31	04154	DECAL-Warning (Also includes #7 & #9)	1
32	• A - 07902	DRIVE SHAFT HOUSING-(Upper)	1
33	04458	DECAL-Start Instructions	1

• ASSEMBLIES



**CUSTOMER ASSISTANCE**  
 FOR THE LOCATION OF YOUR NEAREST HOMELITE SERVICING DEALER  
 IN THE UNITED STATES, PUERTO RICO, AND THE VIRGIN ISLANDS,  
**CALL: 1-800-242-4672**

**HEADQUARTERS**  
**Homelite, Inc.**  
 P.O. BOX 7047  
 CHARLOTTE, N.C. 28241

OVERSEAS OFFICES		CANADIAN OFFICES
<p style="text-align: center;"><b>NETHERLANDS</b></p> <p style="text-align: center;">Homelite Netherlands B.V.                      A Deere &amp; Company Affiliate                      Havenstraat 34                      2158 GB Nieuw Vennep                      The Netherlands</p>	<p style="text-align: center;"><b>FRANCE</b></p> <p style="text-align: center;">Homelite Atlantia SARL                      Groupe Deere &amp; Co.                      BP 7011                      88050 Cergy Pontoise Cedex                      France</p>	<p style="text-align: center;"><b>AUSTRALIA</b></p> <p style="text-align: center;">Homelite Pacific Ltd.                      A Deere &amp; Company Affiliate                      ADN 008 663 538                      94 Russhale Street                      P. O. Box 588 MDA                      Knoxfield Vic 3100                      Australia</p>
<p style="text-align: center;"><b>NETHERLANDS</b></p> <p style="text-align: center;">Homelite Netherlands B.V.                      A Deere &amp; Company Affiliate                      Havenstraat 34                      2158 GB Nieuw Vennep                      The Netherlands</p>		<p style="text-align: center;"><b>Homelite Canada Limited</b>  <b>Homelite Canada Limitée</b></p> <p style="text-align: center;">A Deere &amp; Company Affiliate /                      Une Filiale de Deere &amp; Company                      1680-564th Avenue                      Leomin, Québec, Canada H8T 6J8                      1-800-385-8718</p> <p style="text-align: center;">UNIT 215-214, 890 Ebury Place                      New Westminster, B.C. V3M 5K7                      1-800-667-3126</p> <p style="text-align: center;">20-D Voyager COURT South                      Etobicoke, Ontario M9W 6M7                      1-800-465-2249</p>

**Homelite** inc.  
 A Subsidiary of Deere & Company