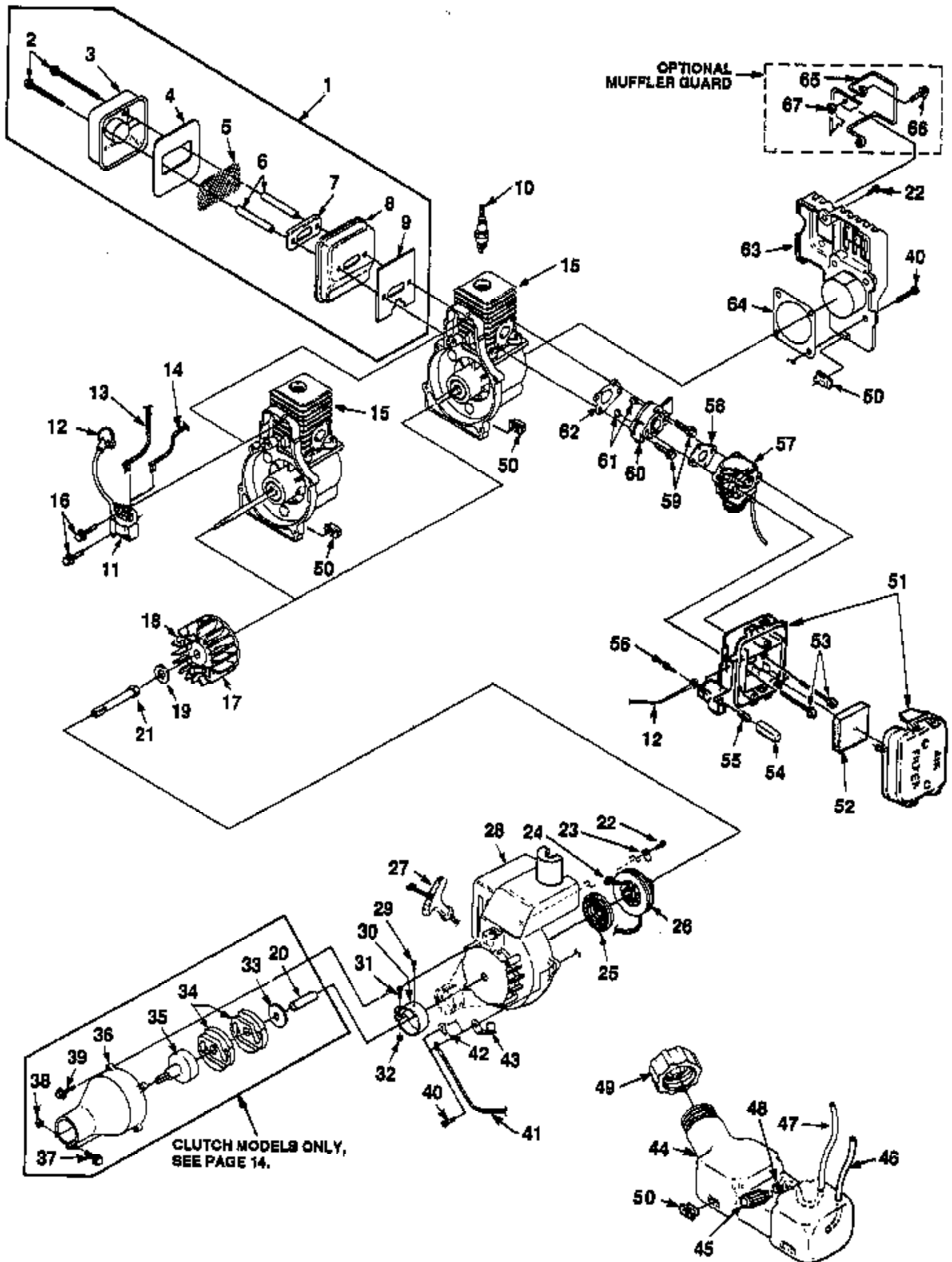
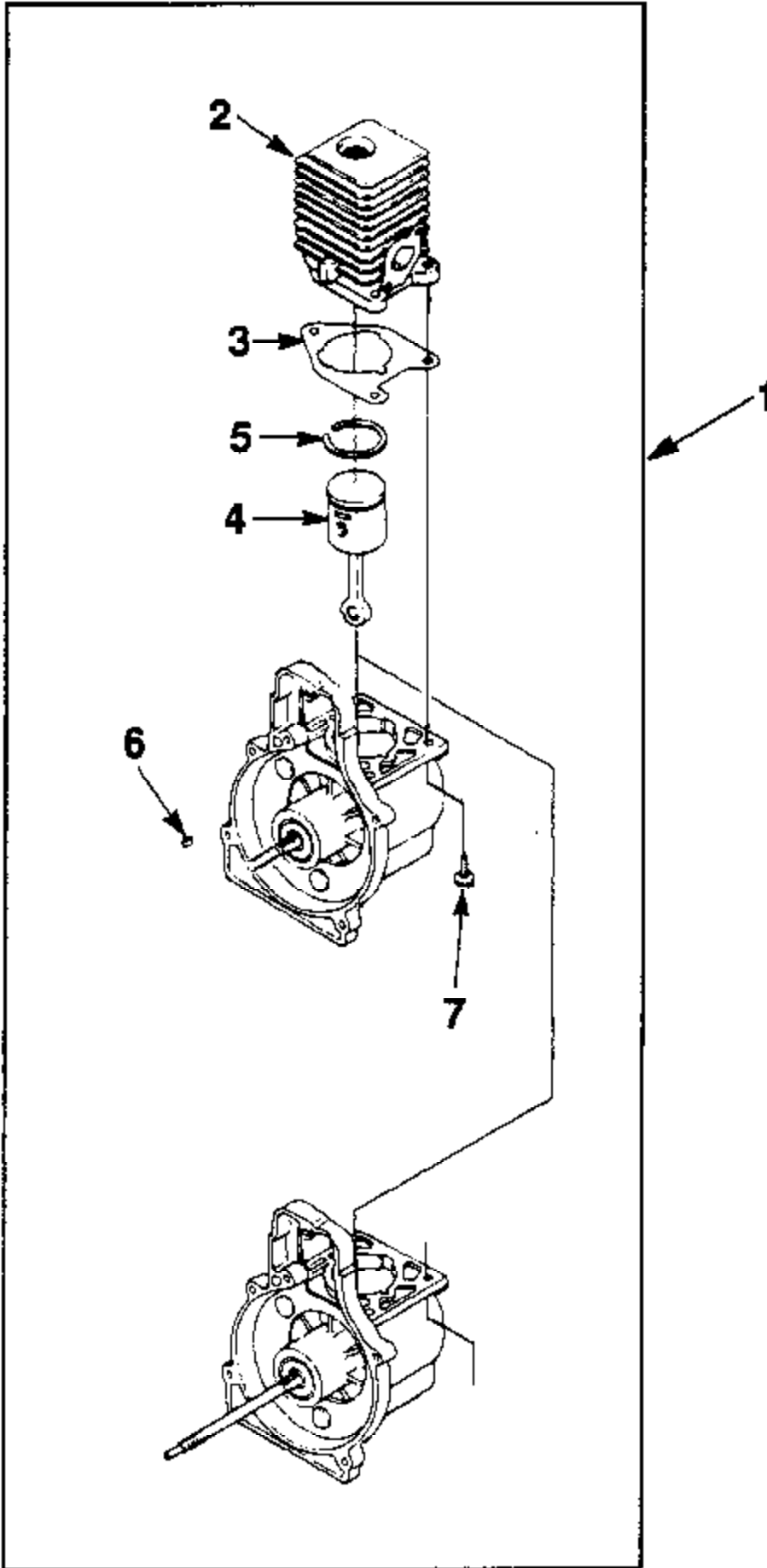


Ref #	Part Number	Qty	Description
1	DA92703B	1	HARNESSE w/Connector (GST)
2	A00101A	1	HANDLE GRIP ASSEMBLY
3	A03006	1	CABLE-Throttle
4	98772A	1	TRIGGER
5	82368	5	SCREW-Plastite (#8 X 3/4")
6	95110C	1	HANDLE Front
	98822	1	HANDLE- Front(ST-155, HGT, HLT-15, SX-135)
7	80295	2	SCREW-Hex Hd. (10-24 X 2")
8	93992	2	NUT-Wing (10-24)
9	A04459	1	HOUSING Drive Shaft (Black)
10	04458	1	DECAL-Starting Instructions
11	04154	1	DECAL-Warning
12	98853	1	CLAMP
13	98816	1	SHAFT-Flex
14	83009	1	WASHER Lock (1/4")
15	84003	1	WASHER-Flat (1/4")
16	82541	1	SCREW-(#10 X 1/2")
17	A98231A	1	HOUSING & EYELET (Dual Line)
18	98848	1	SPRING-Compression
19	DA98912C	1	SPOOL & STRING (ST-155, SX-135, ST-175G, HLT-15, GST-18, HGT)
	DA02598A	1	SPOOL & STRING (HLT-16, HLT-18)
20	9801105	1	LINE Replacement (.080" Dia. 1 lb. Box)(ST-155,SX-135,ST-175G,HLT-15,G
	0395903	1	LINE-Replacement (.095" Dia. 1 lb. Box)(HLT-16, HLT-18)
21	DA98866A	1	RETAINER Spool (R.H. Thread)
	A01286	1	DEFLECTOR & BLADE KIT (ST-155, SX-135, HLT-15)
22	A03834	1	BLADE-Cut-Off (ST-155, SX-135, HLT-15)
23	81261	2	NUT-Hex (10-24)
24	82531	2	SCREW-Mach. Hex Hd. (10-24 X 7/8")
22	A03832	1	BLADE Cut-Off (ST-175G, HGT, HLT-16)
23	81261	2	NUT-Hex (10-24)
24	82531	2	SCREW Mach Hex Hd. (10-24 X 7/8")
25	98821	1	DEFLECTOR-Grass (ST-155, SX-135, HLT-15, HGT, HLT-16)
	02610	1	DEFLECTOR-Grass (ST-175G, GST-18, HLT-18)
26	A03001	1	STRINGHEAD COMPLETE (.080 Line)(ST-155,SX-135,ST-175G,HLT-15,GST-18,H
	A04591	1	STRING HEAD COMPLETE (.095 Line) (HLT-16, HLT-18)



Ref #	Part Number	Qty	Description
1	A01123	1	MUFFLER- Complete
2	88060	2	SCREW- Sems Hex Hd (10-24 X 2 1/2")
3	A98780	1	COVER- Muffler
4	98782	1	BAFFLE- Muffler
5	98784A	1	SCREEN- Spark
6	98860A	2	SPACER- Muffler
7	98783	1	PLATE- Reinforcing
8	A01323	1	BODY- Muffler
9	98786B	1	GASKET- Muffler
	A04446	1	IGNITION KIT
10	96169S	1	SPARK PLUG (DJ7Y)
11	94711CS	1	MODULE- Ignition
12	A33055	1	TERMINAL- High-Tension
13	A00681	1	LEAD-Electrical (ST-185BC, GST-BC, ST-285BC, ST-385BC, HBC-18, HBC-30)
14	A98809	1	LEAD-Electrical (ST-155,SX-135,ST-175G,HLT-15,ST-275,GST,HGT,HLT-16
15		1	SHORT BLOCK
16	82540	2	SCREW- Taptite (8-32 X 1")
17	A00856	1	ROTOR KIT (ST-185BC, GST-BC
18	A70285E	1	KIT- Starter Pawl
19	95479A	1	WASHER- Flat
20	035662	1	SPACER
17	A00857	1	ROTOR KIT (ST-285BC, ST-385BC, HBC-18, HBC-30)
18	A70285E	1	KIT- Starter Pawl
19	95479A	1	WASHER- Flat
20	035661	1	SPACER
17	A04158	1	ROTOR KIT (ST-155, SX-135,ST-175G,HLT-15,ST-275,GST,HGT,HLT-16,HLT-1
18	A70285E	1	KIT- Starter Pawl
19	84065	1	WASHER- Flat (5/16") (ST-155,SX-135,ST-175G,HLT-15,ST-275,HLT-18,HLT-1
21	98795A	1	CONNECTOR- Drive (ST-155,SX-135,ST-175G,HLT-15,ST-275,GST,HGT,HLT-16
	A01083A	1	COMPLETE STARTER ASSEMBLY
22	82541	4	SCREW- Plastite (#10 X 1/2")
23	98791	1	BRACKET- Retaining
24	9789902	1	ROPE- Starter (42")
25	A98773	1	SPRING & CONTAINER
26	98770	1	PULLEY- Starter
27	02264	1	GRIP- Starter
28	A02575C	1	HOUSING- Engine (ST 155,SX-135,ST-175G,HLT-15,ST-275,GST,HGT,HLT-16)
28	A02576C	1	HOUSING-Engine (ST-185BC,GST-BC,ST-285BC,ST-385BC,HBC-18,HBC-30)
29	82522	1	SCREW- Pan Hd. (#10 X 3/8")
30	98802A	1	CLAMP
31	82268	1	SCREW- Hex Sems (10-24 X 3/8")
32	97574	1	NUT- Square
33	98929A	1	WASHER- Clutch (ST-185BC, GST-BC, ST-285BC, ST-385BC, HBC-18, HBC-30)
34	00242	1	CLUTCH (ST-185BC, GST-BC) (ST-285BC, ST-385BC, HBC-18, HBC-30)

Ref #	Part Number	Qty	Description
35	A02727	1	CONNECTOR & DRUM (ST-185BC, GST-BC)
	A03485A	1	CONNECTOR & DRUM (ST-285BC, ST-385BC, HBC-18, HBC-30)
36	A02396A	1	TUBE ADAPTOR (ST-185BC, GST-BC, ST-285BC, ST-385BC, HBC-18, HBC-30)
37	88054	1	SCREW- Sems Hex Hd (10 24 X 1 1/4")
38	81208	1	NUT (10-24)
39	88052	4	SCREW- Sems Hex Hd (10-24 X 7/8")
40	82538	7	SCREW- Taptite (10-24 X 3/4")
41	A98919A	1	LEAD- Ground
42	02851	1	TERMINAL
43	A98808	1	BRACKET Cable
44	A04447	1	TANK- Fuel
45	49422	1	FILTER- Fuel
46	0143932	1	TUBING- Rubber (8")
47	9477232	1	TUBING- Rubber (8")
48	98268	1	CLAMP- Wire
49	A00982A	1	FUEL CAP
50	98792	3	BUMPER- Rubber
51	A04449	1	AIR FILTER BOX
52	D98760A	1	FILTER- Air
53	82542	2	SCREW (10-24 X 2 1/4")
54	98769	1	BUTTON- Switch
55	95020	1	SPRING- Compression
56	93923	1	SCREW- Plastite (#6)
57	A04445	1	CARBURETOR KIT
58	98766A	1	GASKET Carburetor
59	825491	2	SCREW- Taptite (10-24 X 1")
60	98768	1	HEAT DAM
61	81208	2	NUT (10-24)
62	98765B	1	GASKET- Heat Dam
63	A00858	1	CRANKCASE COVER
64	98767A	1	GASKET- Crankcase Cover
65	A00254	1	WIRE GUARD KIT
66	88049	2	SCREW- Hex Sems (10-24 X 1/2")
67	81208	2	NUT (10-24)



Ref #	Part Number	Qty	Description
1	A04742	1	SHORT BLOCK (25 CC Non-Clutch)
	A04743	1	SHORT BLOCK (25 CC w/Clutch)
	A00412	1	SHORT BLOCK (30 CC Non-Clutch)
	A00411	1	SHORT BLOCK (30 CC w/Clutch)
2	A03259	1	CYLINDER & GASKET (25 CC Non-Clutch)
	A03259	1	CYLINDER & GASKET (25 CC w/Clutch)
	A03785A	1	CYLINDER & GASKET (30 CC Non-Clutch)
	A03785A	1	CYLINDER & GASKET (30 CC w/Clutch)
3	04388	1	GASKET-Cylinder (25 CC Non-Clutch)
	04388	1	GASKET-Cylinder (25 CC w/Clutch)
	03703A	1	GASKET-Cylinder (30 CC Non-Clutch)
	03703A	1	GASKET-Cylinder (30 CC w/Clutch)
4	A04258	1	PISTON & ROD (25 CC Non-Clutch)
	A04258	1	PISTON & ROD (25 CC w/Clutch)
	A03705	1	PISTON & ROD (30 CC Non-Clutch)
	A03705	1	PISTON & ROD (30 CC w/Clutch)
5	96935	1	RING-Piston (25 CC Non-Clutch)
	96935	1	RING-Piston (25 CC w/Clutch)
	03179	2	RING-Piston (30 CC Non-Clutch)
	03179	2	RING-Piston (30 CC w/Clutch)
6	69250	1	KEY-Woodruff (25 CC Non-Clutch)
	69250	1	KEY-Woodruff (25 CC w/Clutch)
	69250	1	KEY-Woodruff (30 CC Non-Clutch)
	69250	1	KEY-Woodruff (30 CC w/Clutch)
7	82568	3	SCREW-Torx Pan Hd. (10-24 X 3/4") (25 CC Non-Clutch)
	82568	3	SCREW-Torx Pan Hd. (10-24 X 3/4") (25 CC w/Clutch)
	82569	3	SCREW-Torx Pan Hd. (10-24 X 3/4") (30 CC Non-Clutch)
	82569	3	SCREW-Torx Pan Hd. (10-24 X 3/4") (30 CC w/Clutch)

ACCESSORIES

SAW BLADE.....D-98935-A
(ST-185BC, GST-BC, ST-285BC,
ST-385BC, HBC-18, HBC-30)

GREASE, MULTI-PURPOSE....18453

MACHETE BLADE.....DA-00714-A
(ST-185BC, GST-BC, ST-285BC,
ST-385BC, HBC-18, HBC-30)

THREAD LOCKING COMPOUND..23488-C

MODULE AIR GAP SHIM.....24306

GRASS ANTI WRAP KIT....A-04191
(ST-155, SX-135, ST-175G, HLT-15,
GST, HGT, HLT-16, HLT-18)

IGNITION TEST SPARK PLUG..JA-31316-4

RUBBER TUBING (10 ft.)....94772-99

STARTER ROPE (250 ft. Reel)..98052-A

REPLACEMENT STRING (3 lb. Box)..98011-06
(.080" Dia.)

REPLACEMENT STRING (3 lb Box)..03959-04
(.095" Dia.)

TORX BIT (T25).....24982-03
(for clutch drums)

TORX BIT (T27).....18566-01

STRINGHEAD- Complete.....A-03001
(.080 Line) (Right Hand Thread) (Black
Retainer) (ST-155, SX-135, ST-175G, HLT-15,
GST-18, HGT, ST-185BC, ST-275, ST-285BC,
GST-BC).

STRINGHEAD- Complete.....A-03174
(.095 Line) (Left Hand Thread) (Red Retainer)
(HLT-28, ST-385BC, HBC-30)

STRINGHEAD- Complete.....A-04591
(.095 Line) (Right Hand Thread) (Black
Retainer) (HLT-16, HLT-18, HBC-18)

STRINGHEAD- Complete.....A-04592
(.080 Line) (Left Hand Thread) (Red Retainer)
(ST-275, ST-285BC, GST-BC)

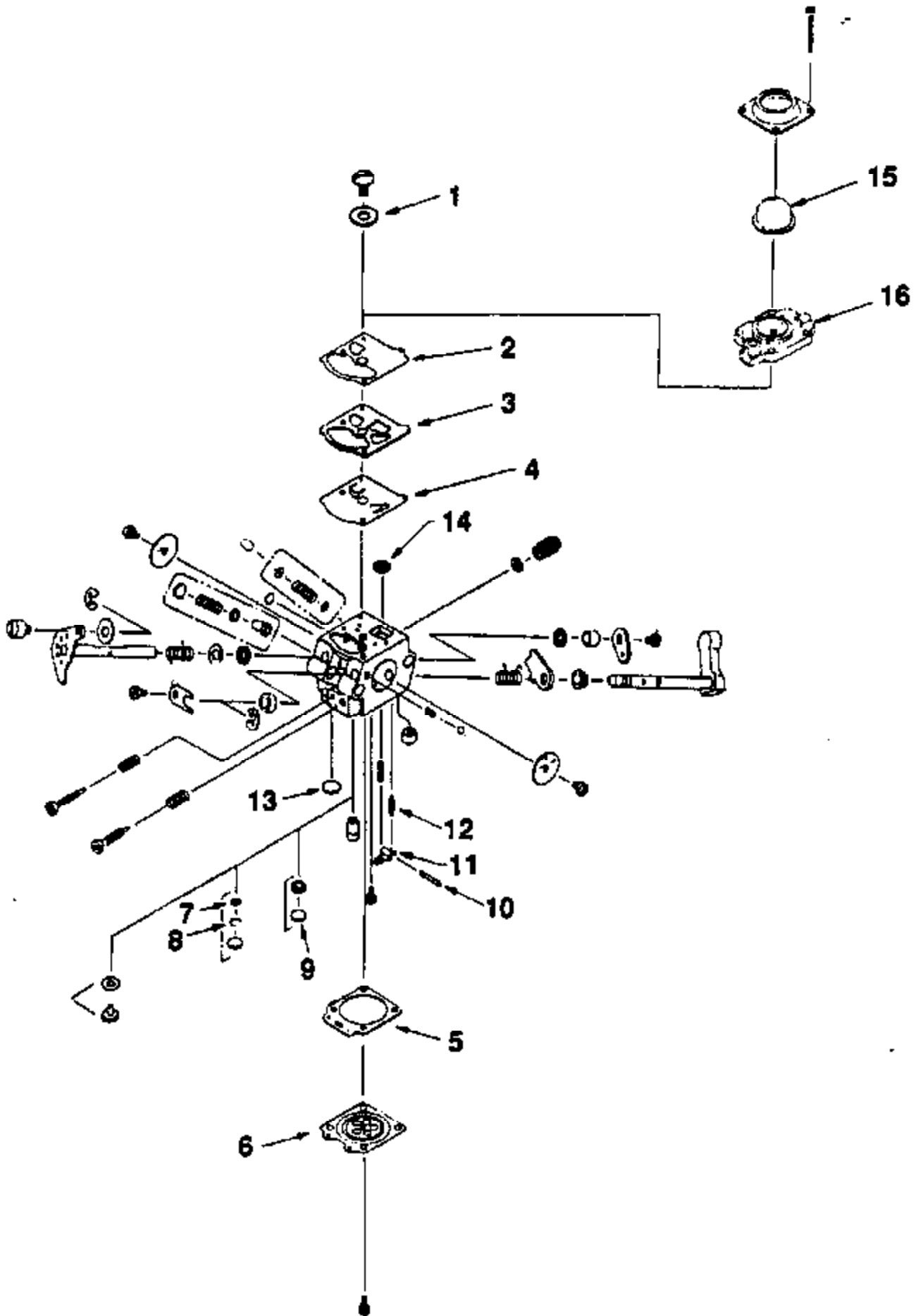
CLUTCH MODELS

ST-185BC
ST-285BC
ST-385BC
GST-BC
HBC-18
HBC-30

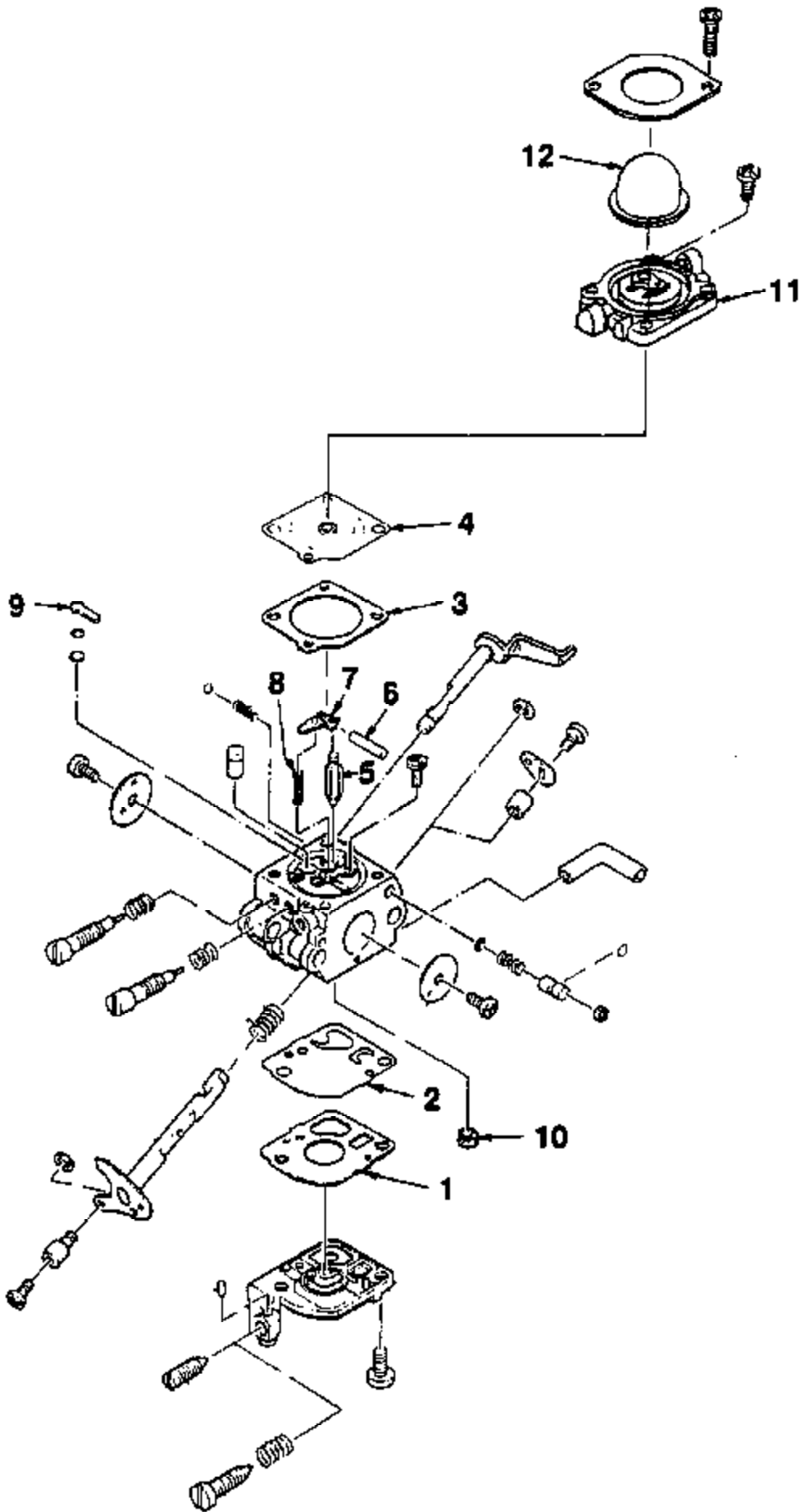
NON-CLUTCH MODELS

ST-155
SX-135
ST-175G
ST-275
GST
HGT
HLT-15
HLT-16
HLT-18
HLT-28

Ref #	Part Number	Qty	Description
D-98935-A	D98935A	1	SAW BLADE (ST-185BC, GST-BC, ST-285BC, ST-385BC, HBC-18, HBC-30)
18453	18453	1	GREASE, MULTI-PURPOSE
DA-00714-A	DA00714A	1	MACHETE BLADE (ST-185BC,GST-BC,ST-285BC,ST-385BC,HBC-18,HBC-30)
23488C	23488C	1	THREAD LOCKING COMPOUND
24306	24306	1	MODULE AIR GAP SHIM
A-04191	A04191	1	GRASS ANTI WRAP KIT (ST-155,SX-135,ST-175G,HLT-15,GST,HGT,HLT-16,H
JA313164	JA313164	1	IGNITION TEST SPARK PLUG
9477299	9477299	1	RUBBER TUBING (10 ft.)
98052-A	98052A	1	STARTER ROPE (250 ft. Reel)
98011-06	9801106	1	REPLACEMENT STRING (3 lb. Box) (.080" Dia.)
03959-04	0395904	1	REPLACEMENT STRING (3 lb. Box) (.095" Dia.)
24982-03	2498203	1	TORX BIT (T25) (for clutch drums)
18566-01	1856601	1	TORX BIT (T27)
A-03001	A03001	1	STRINGHEAD-Complete (.080 Line)(Right Hand Thread)(Black Retainer)(ST
A-03174	A03174	1	STRINGHEAD-Complete (.095 Line)(Left Hand Thread)(Red Retainer)(HLT-2
A-04591	A04591	1	STRINGHEAD-Complete (.095 Line)(Right Hand Thread)(Black Retainer)(HL
A-04592	A04592	1	STRINGHEAD-Complete (.080 Line)(Left Hand Thread)(Red Retainer)(ST-27



Ref #	Part Number	Qty	Description
1	A02665	1	Repair Kit
2	A02665	1	Repair Kit
	A00285A	1	Gasket/Diaphragm Kit
3	A02665	1	Repair Kit
	A00285A	1	Gasket/Diaphragm Kit
4	A02665	1	Repair Kit
	A00285A	1	Gasket/Diaphragm Kit
5	A02665	1	Repair Kit
	A00285A	1	Gasket/Diaphragm Kit
6	A02665	1	Repair Kit
	A00285A	1	Gasket/Diaphragm Kit
7	A02665	1	Repair Kit
8	A02665	1	Repair Kit
9	A02665	1	Repair Kit
10	A02665	1	Repair Kit
11	A02665	1	Repair Kit
12	A02665	1	Repair Kit
13	A02665	1	Repair Kit
14	A02665	1	Repair Kit
15	01201	1	Primer Bulb
16	A01200A	1	Primer Base
	03176	1	Choke Shaft & Lever



Ref #	Part Number	Qty	Description
1	A03979	1	Repair Kit
	A03980	1	Gasket/Diaphragm Kit
2	A03979	1	Repair Kit
	A03980	1	Gasket/Diaphragm Kit
3	A03979	1	Repair Kit
	A03980	1	Gasket/Diaphragm Kit
4	A03979	1	Repair Kit
	A03980	1	Gasket/Diaphragm Kit
5	A03979	1	Repair Kit
6	A03979	1	Repair Kit
7	A03979	1	Repair Kit
8	A03979	1	Repair Kit
9	A03979	1	Repair Kit
10	A03979	1	Repair Kit
11	A03062	1	Primer Base
12	A01195A	1	Primer Bulb
		1	Choke Shaft & Lever