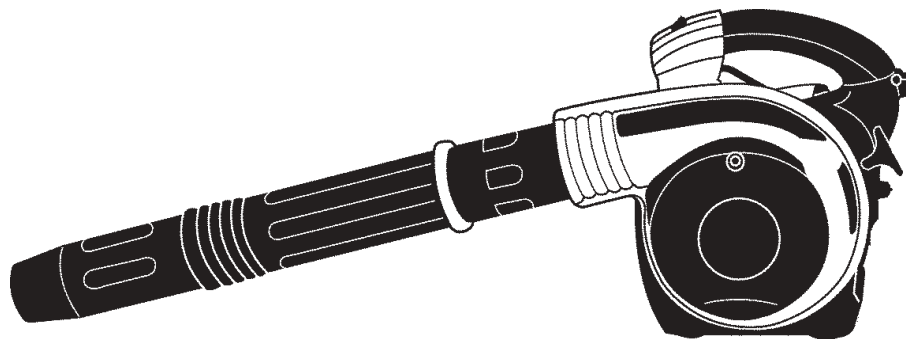


Homelite®

PARTS LIST



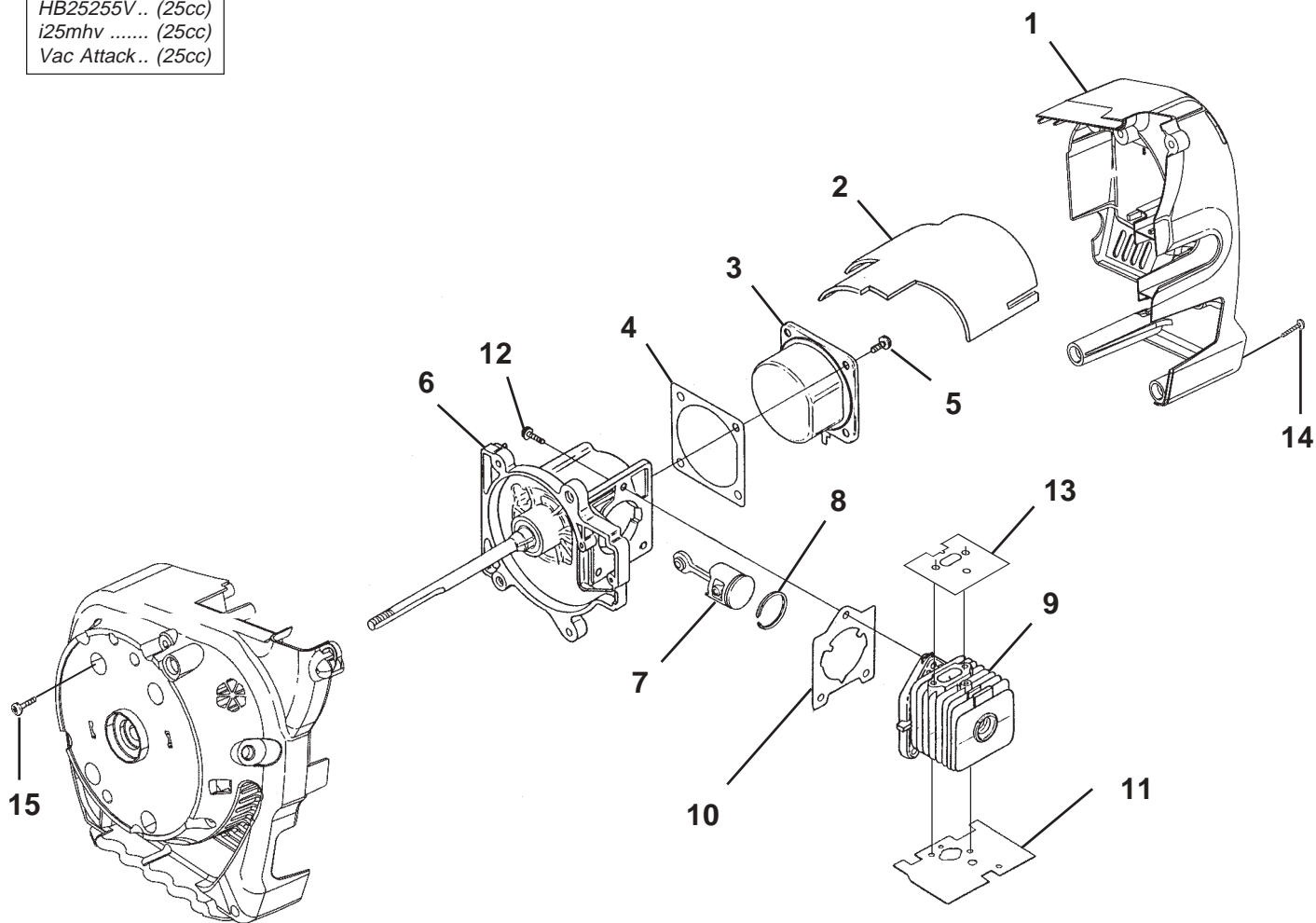
ZIP START™

d25mhv	UT08067C,	UT08084,	UT08105
HB25255V	UT08100,		
i25mhv	UT08090		
Vac Attack™	UT08052C,	UT08085,	UT08107, UT08107A

P/N PS03956

Models	
d25mhv	(25cc)
HB25255V ..	(25cc)
i25mhv	(25cc)
Vac Attack ..	(25cc)

ENGINE INTERNAL

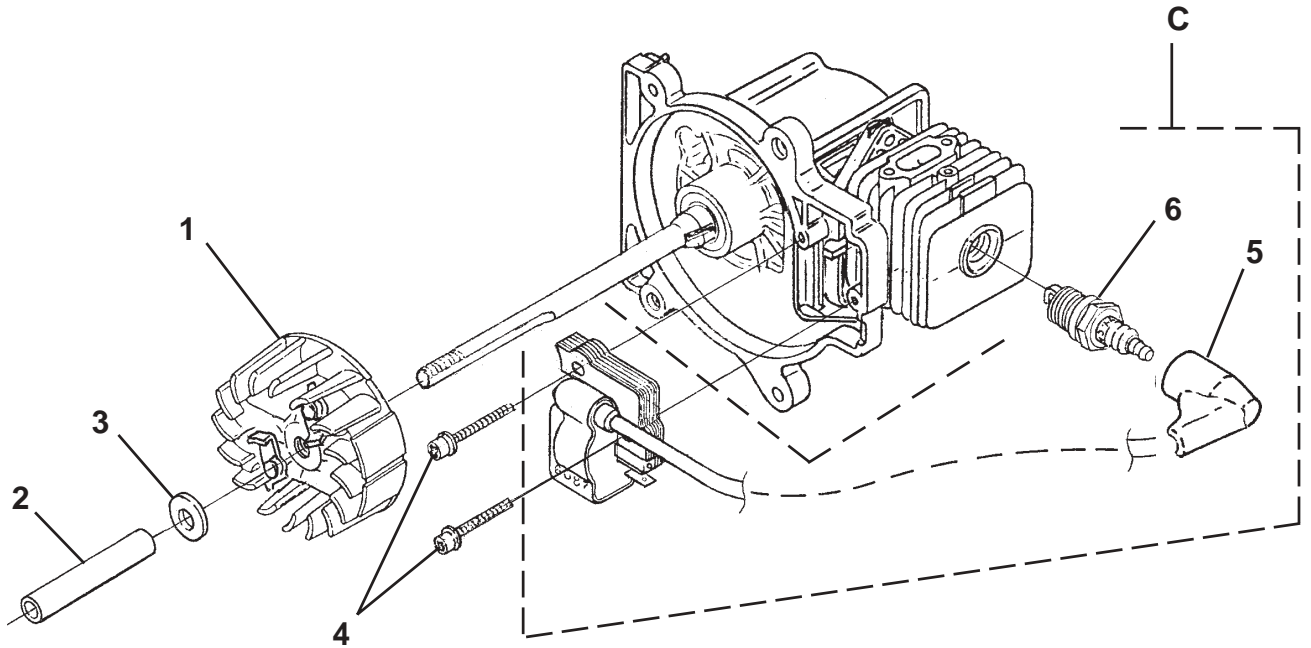


NO.	PART NO.	DESCRIPTION	Qty.
1	UP 04314A	Shroud	1
2	08107B	Heat Shield, Muffler	1
3	• UP 06543A	Crankcase Cover Kit	1
4	06443A	Gasket, C/Case	1
5	PS01565	Screw, Sems (10-24 x .560)	4
6	• UP 03369A	Short Block (Svc) (25cc)	1
7	• 984544001	Piston & Rod (25cc)	1
8	PS01359	Piston Ring (25cc)	1
9	• UP 04136A	Cylinder Kit (25cc)	1
10	04388B	Gasket, Cylinder	1
11	06900A	Gasket, Heat Dam	1
12	PS02807	Screw, Sems (12-24 x 3/4)	3
13	00394B	Gasket, Muffler	1
14	82537	Screw, Thread Forming (10-14 x 7/8)	5
15	82538	Taptite, Truss (10-24 x 3/4)	4

Item No.	Torque Specs		Required Loctite
	In/Lbs	Nm	
5	35-45	4.0-5.1	262 Red
12	55-65	6.2-7.3	262 Red
14	30-40	3.4-4.6	
15	55-60	6.2-6.8	

Models
d25m hv (25cc)
HB25255V.. (25cc)
i25m hv (25cc)
Vac Attack.. (25cc)

IGNITION

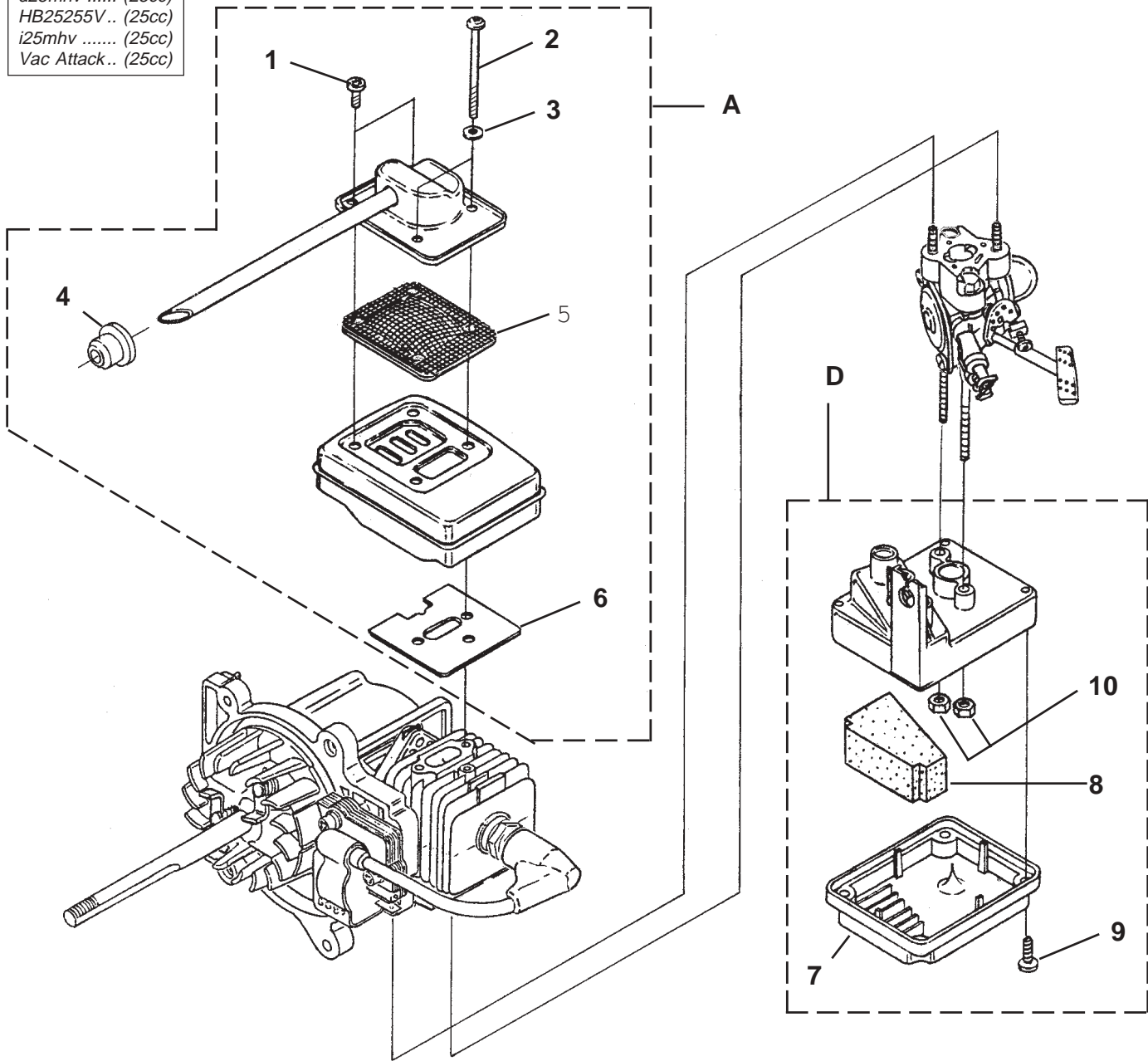


NO.	PART NO.	DESCRIPTION	Qty.
1	984531-001	Rotor & Starter Pawls	1
2	PS04650	Spacer	1
3	95479A	Washer, Flat	1
4	82540	Screw-Thread Forming (8-32 X 1)	2
C	•UP 06784	Ignition Kit w/Ignition Module	1
5	PS06232	Ignition Module	1
6	PS02227	Spark Plug	1

Item No.	Torque Specs		Required Loctite
	In/Lbs	Nm	
4	30-40	3.4-4.5	242 Blue
6	120-180	13.6-20.3	

Models	
d25mhv	(25cc)
HB25255V..	(25cc)
i25mhv	(25cc)
Vac Attack..	(25cc)

MUFFLER - AIR CLEANER



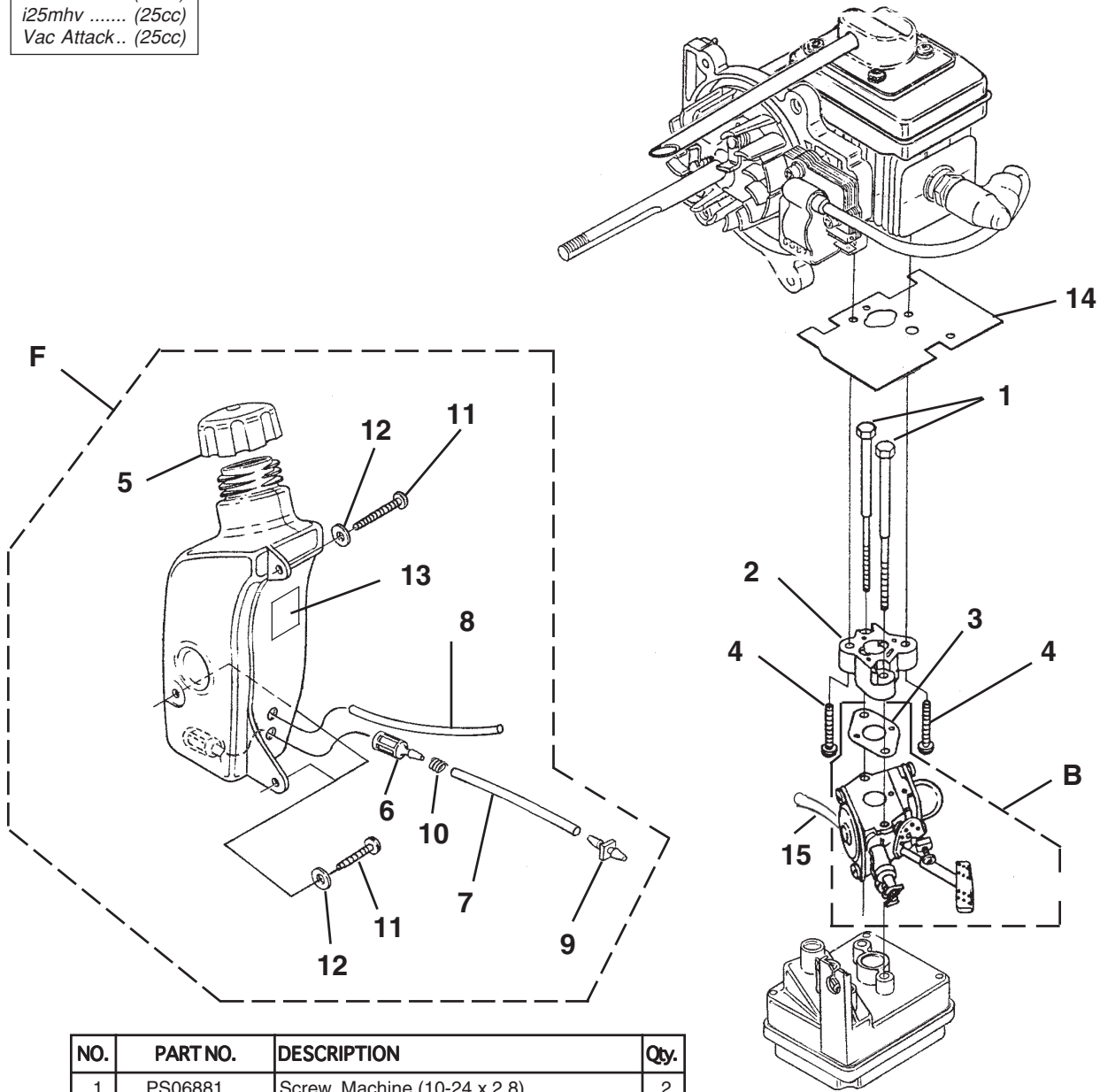
NO.	PART NO.	DESCRIPTION	Qty.
A	•UP 06823A	Muffler Assembly, Crimped	1
1	82600	Screw, Taptite (8-32 x 3/8)	2
2	82613	Screw, Torx Truss Hd. (10-24 X 2.188")	2
3	12021	Washer, Conical #10	2
4	08104	Muffler Grommet	1
5	PS00429	Screen Assy., Spark	1
6	00394B	Gasket, Muffler *	1
D	•UP 06824A	Air Filter Assembly	1
7	07547	Cover, Air Box	1
8	08108	Filter Element #1	1
9	82376	Screw, Thread Forming (8-16 X .50)	4
10	07589	Nut, Lock Hex (10-24)	2

Item No.	Torque Specs		Required Loctite
	In/Lbs	Nm	
1	20-30	2.3-3.4	
2	50-60	5.6-6.8	
9	30-40	3.4-4.5	
10	30-40	3.4-4.5	

* Also included with Short Block and Cylinder Kits.

Models	
d25mhv	(25cc)
HB25255V..	(25cc)
i25mhv	(25cc)
Vac Attack..	(25cc)

CARBURETOR - FUEL TANK



NO.	PART NO.	DESCRIPTION	Qty.
1	PS06881	Screw, Machine (10-24 x 2.8)	2
2	PS04357	Heat Dam	1
B	• UP00608A	Carburetor Kit	1
3	98766A	Gasket, Carburetor *	1
4	093221	Screw, Sems (10-24 x 1") *	2
F	UP 00495A	Fuel Tank Assy.	1
5	A09116	Fuel Cap	1
6	PS03380	Fuel Filter	1
7	9477212	Tubing, Rubber (3")	1
8	0143920	Tubing, Rubber (5")	1
9	07332	Fitting, Inlet (small for 2.5mm ID fuel line)	1
	02067	Fitting, Inlet (large for 3mm ID fuel line)	1
10	98268	Clamp, Wire	1
11	82563	Screw, Thread Forming (10-14 x 3/4)	3
12	12789	Washer	3
13	08684	Heat Shield	1
14	06900A	Gasket, Heat Dam *	1
15	0143920	Tubing, Rubber (5")	1

Item No.	Torque Specs		Required Loctite
	In/Lbs	Nm	
1	30-40	3.4-4.5 **	
4	50-60	5.6-6.8	262 Red
11	30-40	3.0-4.0	

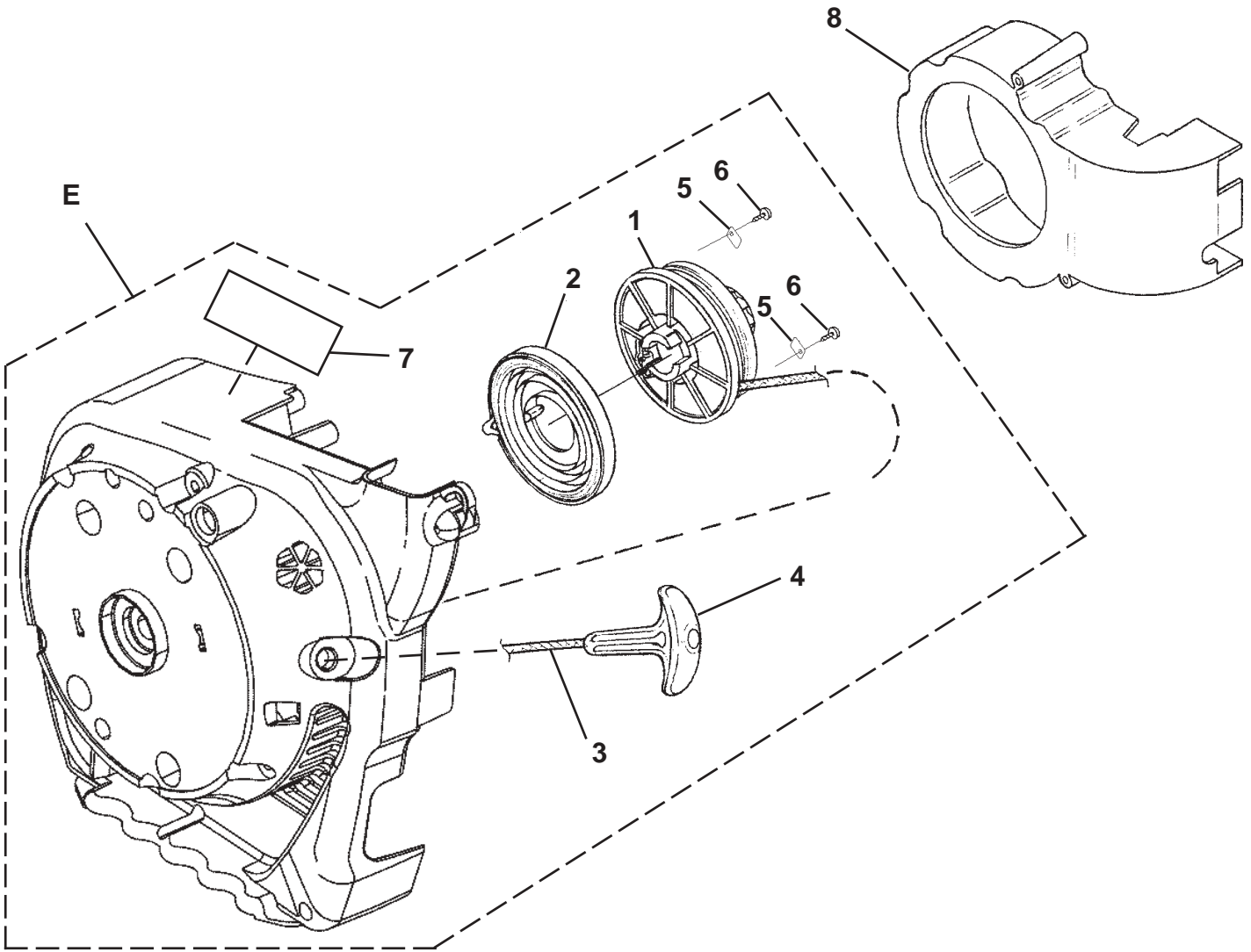
** See Torque Specs, page 4 - Item 10

09/18/2003

* Also included with Cylinder Kit.

Models	
d25mhv	(25cc)
HB25255V..	(25cc)
i25mhv	(25cc)
Vac Attack..	(25cc)

STARTER

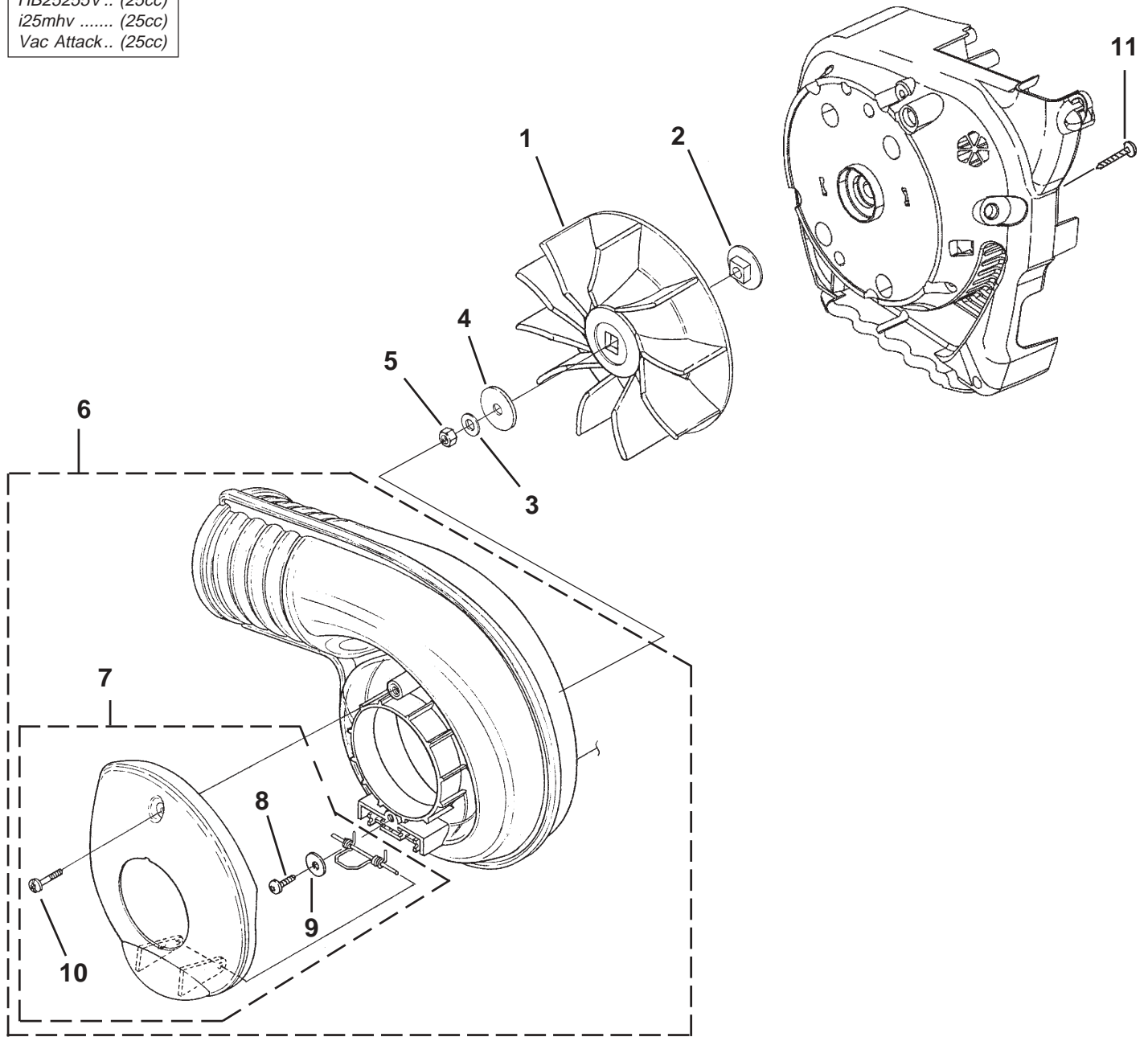


NO.	PART NO.	DESCRIPTION	Qty.
E	• UP 00497A	Starter (Svc)	1
1	98770A	Pulley, Starter	1
2	A98773A	Spring & Container	1
3	9789902	Rope, Starter 42"	1
4	PS00179	Grip, Starter (Black)	1
5	98791	Bracket-Retaining	2
6	82541	Screw-Plastite (#10-1/2")	2
7	08501A	Start / Warning Decal	1
8	07614C	Scroll	1

Item No.	Torque Specs		Required Loctite
	In/Lbs	Nm	
6	30-40 3.4-4.5	

Models	
d25m hv	(25cc)
HB25255V ..	(25cc)
i25m hv	(25cc)
Vac Attack ..	(25cc)

VOLUTE - FAN



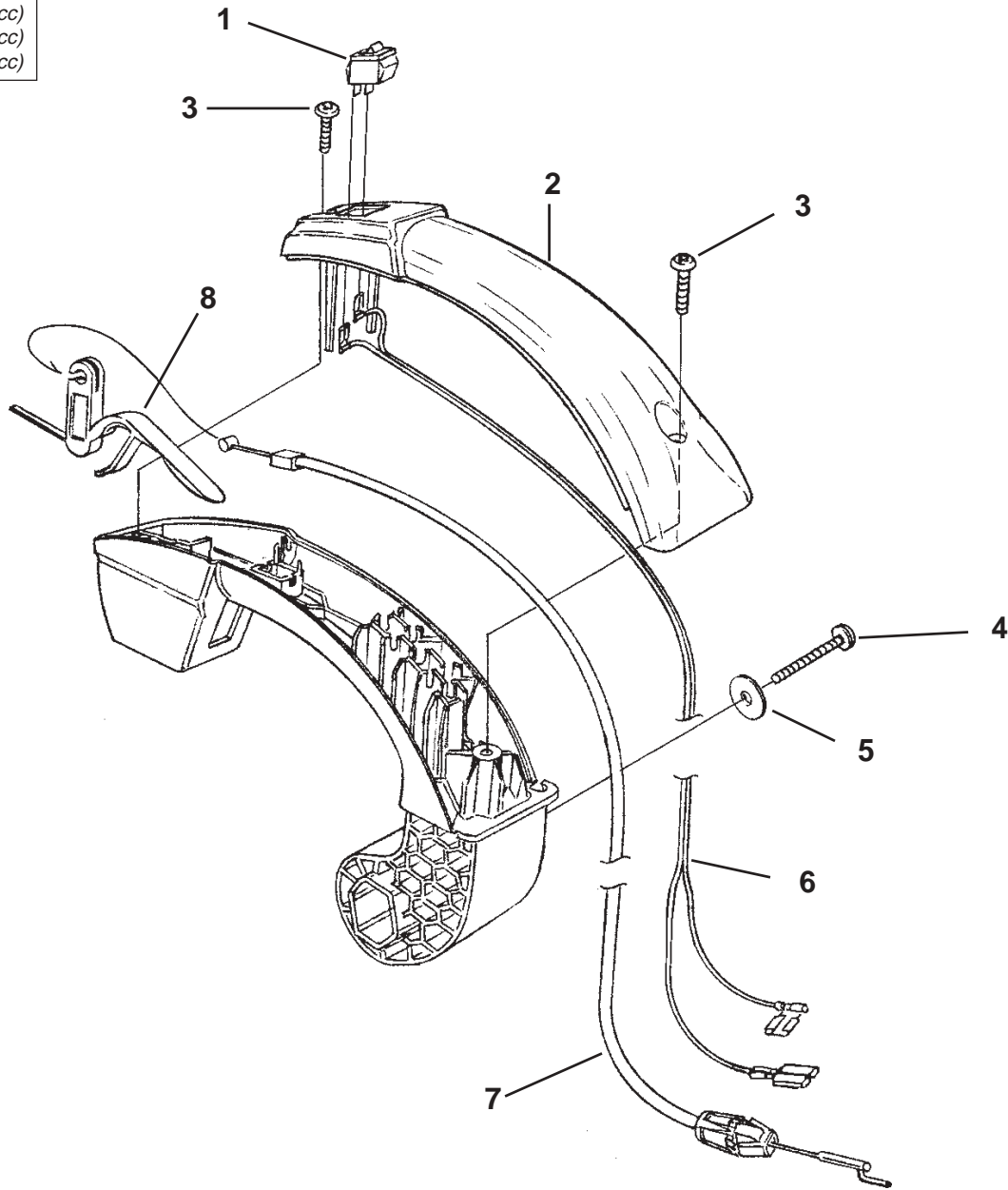
NO.	PART NO.	DESCRIPTION	Qty.
1	07409	Fan	1
2	04335	Adapter, Fan	1
3	03163	Washer, Belleville	1
4	58833	Washer, Flat	1
5	81124A	Nut (3/8-24)	1
6	•UP 06899A	Volute W/Door Assembly	1
7	•UP 06898A	Access Door	1
8	82541	Screw, Thread Forming (10-14 X 1/2)	1
9	95935	Washer	1
10	08204	Screw, Machine (10-24 X 3/4)	1
11	82537	Screw, Plastite (10-14 X 7/8)	5

Item No.	Torque Specs		Required Loctite
	In/Lbs	Nm	
5	130-150	14.7-17.0	
8	30-40	3.4-4.5	
10	15-20	1.7-2.3	
11	35-45	4.0-5.0	

09/18/2003

Models	
d25mhv	(25cc)
HB25255V..	(25cc)
i25mhv	(25cc)
Vac Attack..	(25cc)

HANDLE

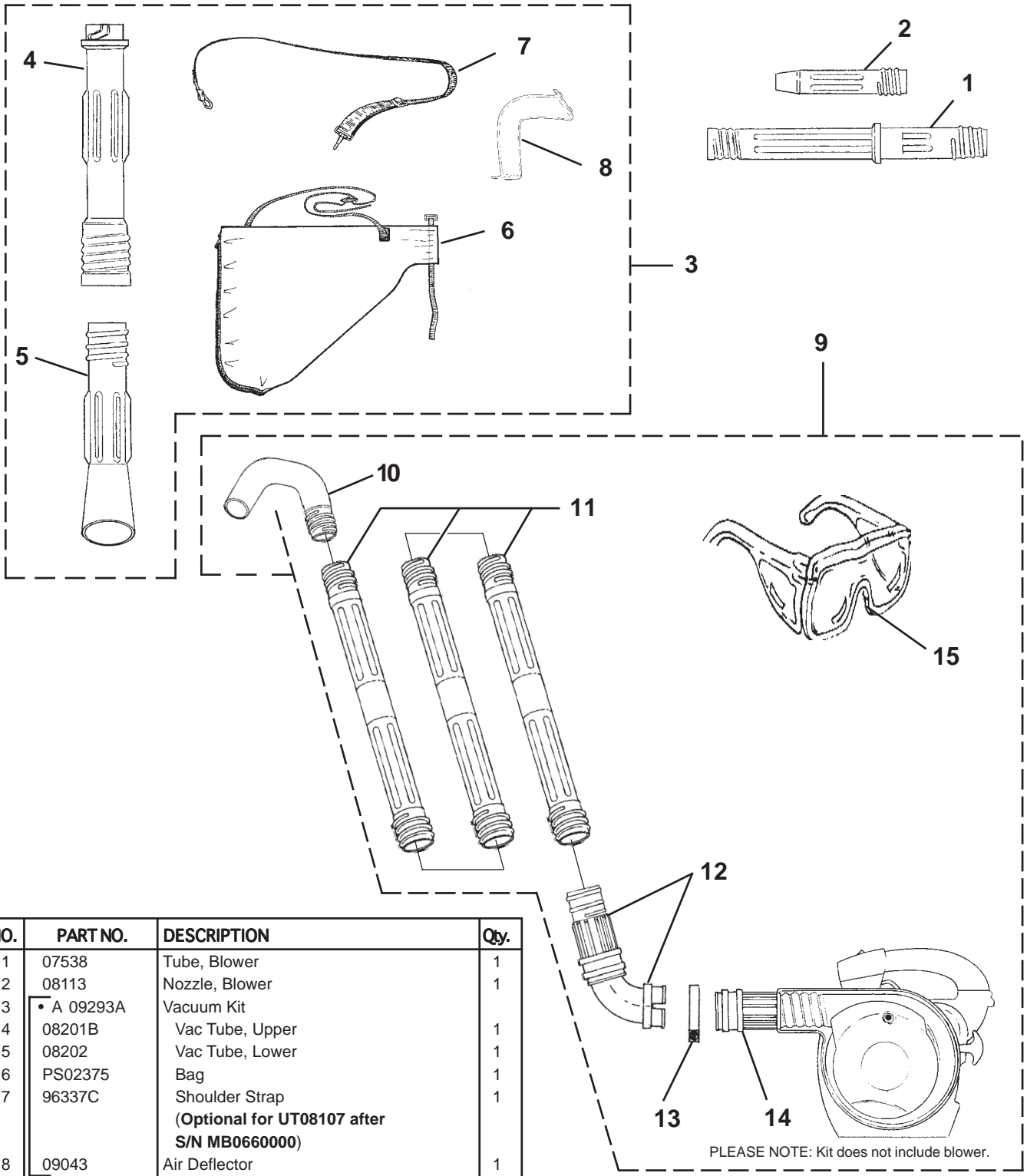


NO.	PART NO.	DESCRIPTION	Qty.
	•UP 06900A	Handle Assembly	1
1	UP 04320A	Switch, Rocker (Stop)	1
2	08116	Handle Cover	1
3	82546	Screw, Thread Forming (8-16 X 1/2)	2
4	82537	Screw, Thread Forming (10-14 X 7/8)	1
5	JA995620	Washer, Flat	1
6	PA01144	Kill Switch Lead	1
7	08119	Cable, Throttle	1
8	08118A	Trigger	1

Item No.	Torque Specs		Required Loctite
	In/Lbs	Nm	
3	10-25	1.1-2.8	
4	30-45	3.4-5.1	

TUBES - STRAP - ACCESSORIES

Models	
d25mhv	(25cc)
HB25255V ..	(25cc)
i25mhv	(25cc)
Vac Attack ..	(25cc)



PLEASE NOTE: Kit does not include blower.

NO.	PART NO.	DESCRIPTION	Qty.
1	07538	Tube, Blower	1
2	08113	Nozzle, Blower	1
3	• A 09293A	Vacuum Kit	1
4	08201B	Vac Tube, Upper	1
5	08202	Vac Tube, Lower	1
6	PS02375	Bag	1
7	96337C	Shoulder Strap (Optional for UT08107 after S/N MB0660000)	1
8	09043	Air Deflector	1
9	•A07069AA	Gutter Maintenance Kit	1
10	07543	Full Elbow	1
11	07498	Straight Tube	3
12	A07627A	Upper Elbow & Swivel Adapter	1
13	004335	Large Clamp	1
14	08711A	Adapter, Gutter	1
15	02557A	Safety Glasses - Clear	1

Special Tools	
Part No.	Description
18416	Electronic Tachometer
18774	Fuel Mix Tester
23488 C	Thread Locking Compound
24982 03	T25 Torx Bit 6" Long
94194	Compression Tester
JA 31316 4	Spark Tester

09/18/2003

NOTES

NOTES

For product information, technical help, dealer locations or parts ordering information visit our website at:
www.homelite.com.

HOMELITE CONSUMER PRODUCTS, INC.

1428 Pearman Dairy Road Anderson, SC 29625

Post Office Box 1207, Anderson, SC 29622

Phone 1-800-chainsaw (1-800-242-4672)

www.homelite.com

09/18/2003