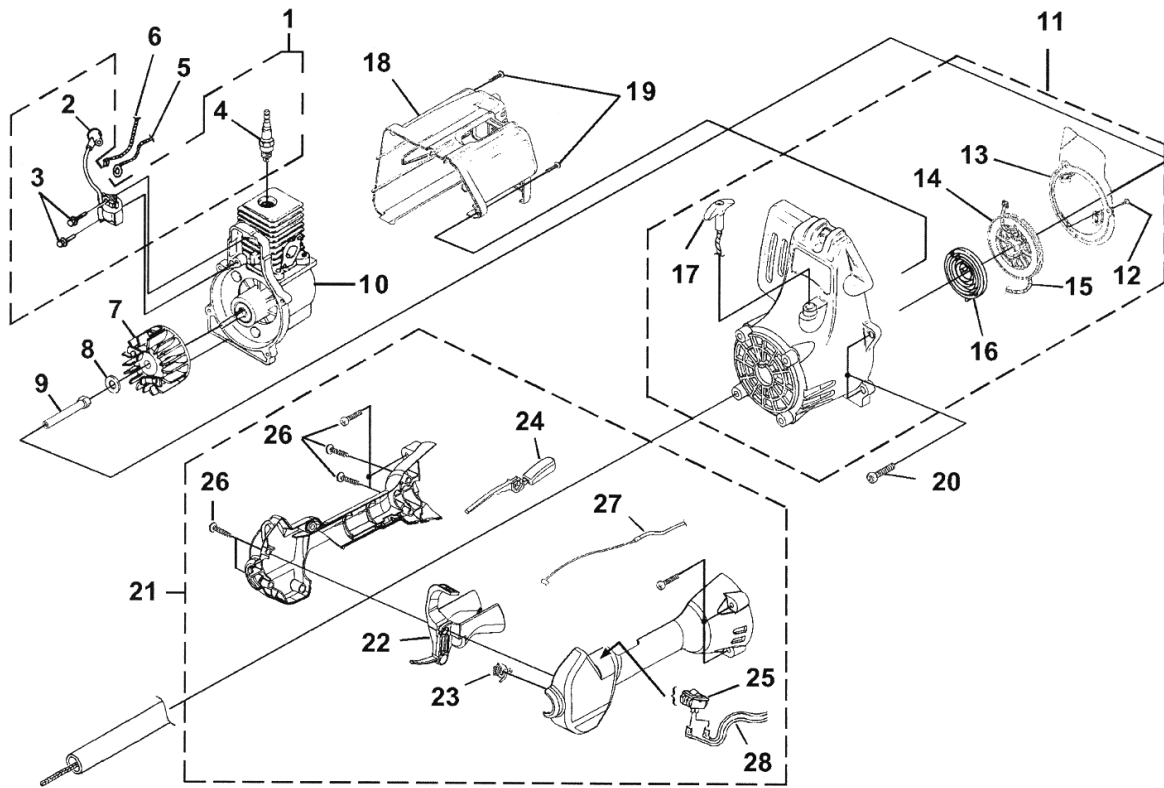
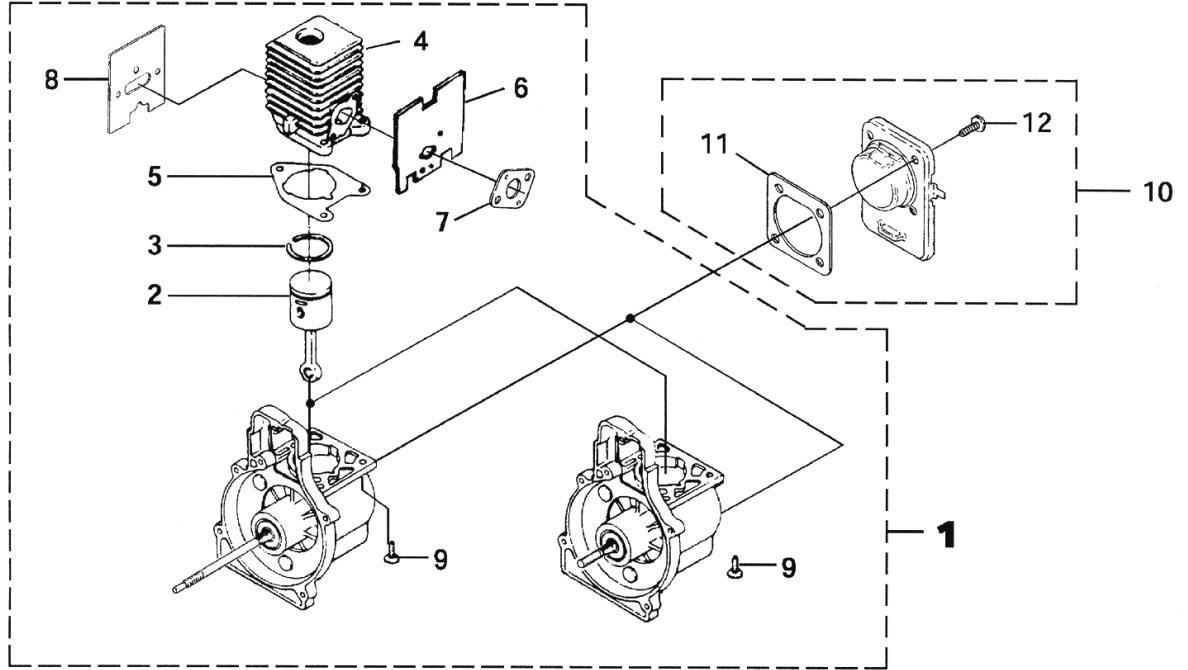


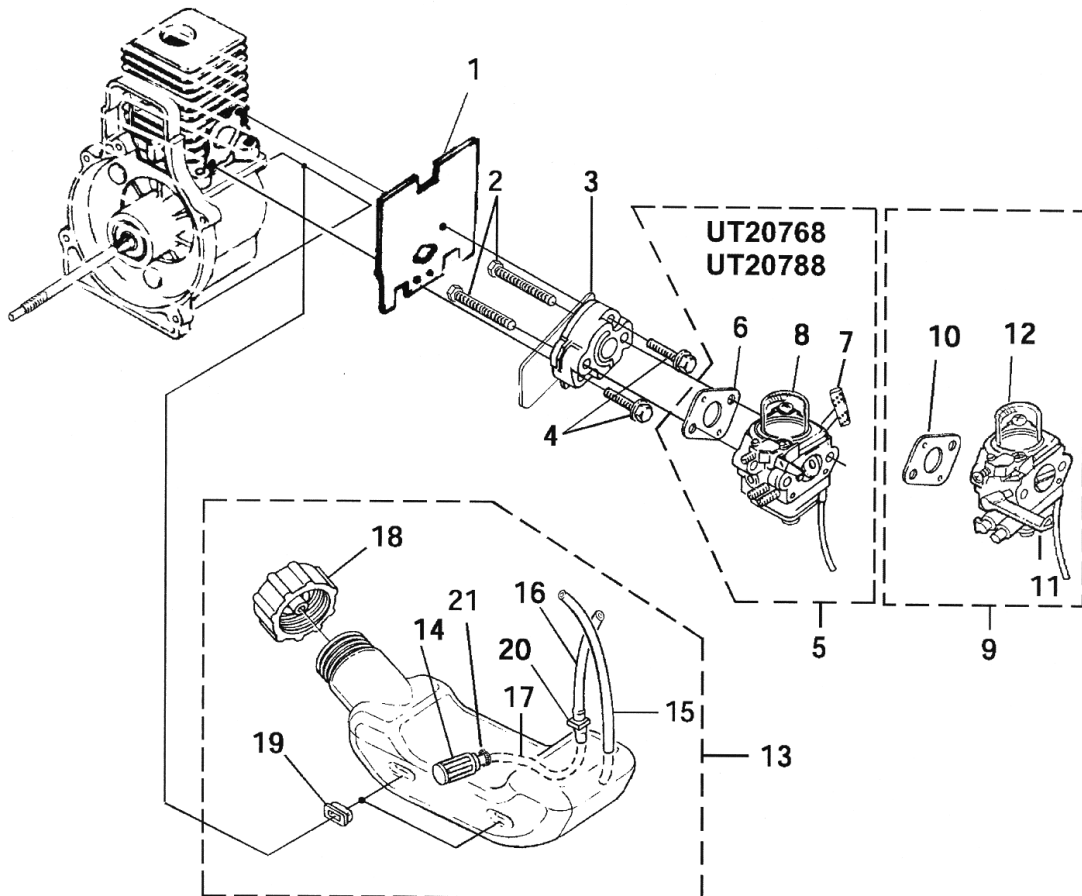
## Ignition - Rotor - Starter



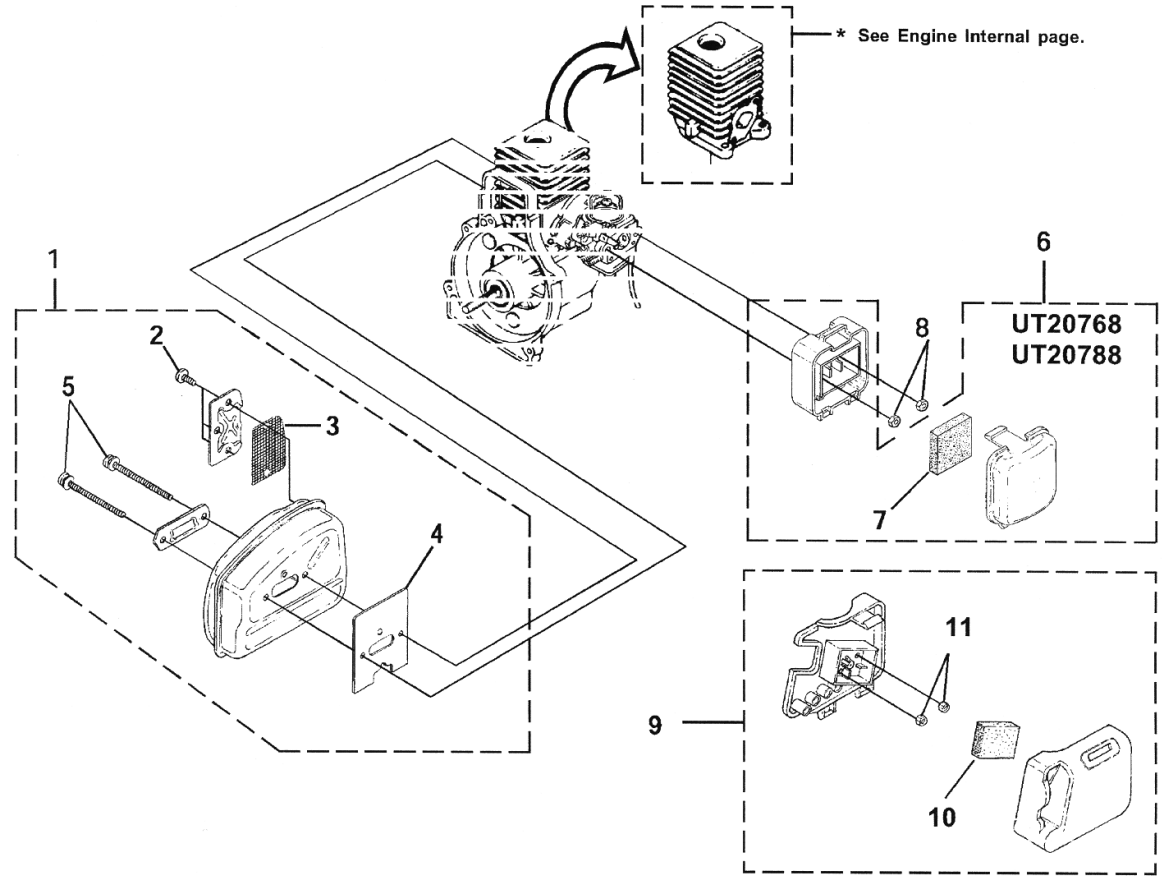
### Engine Internal



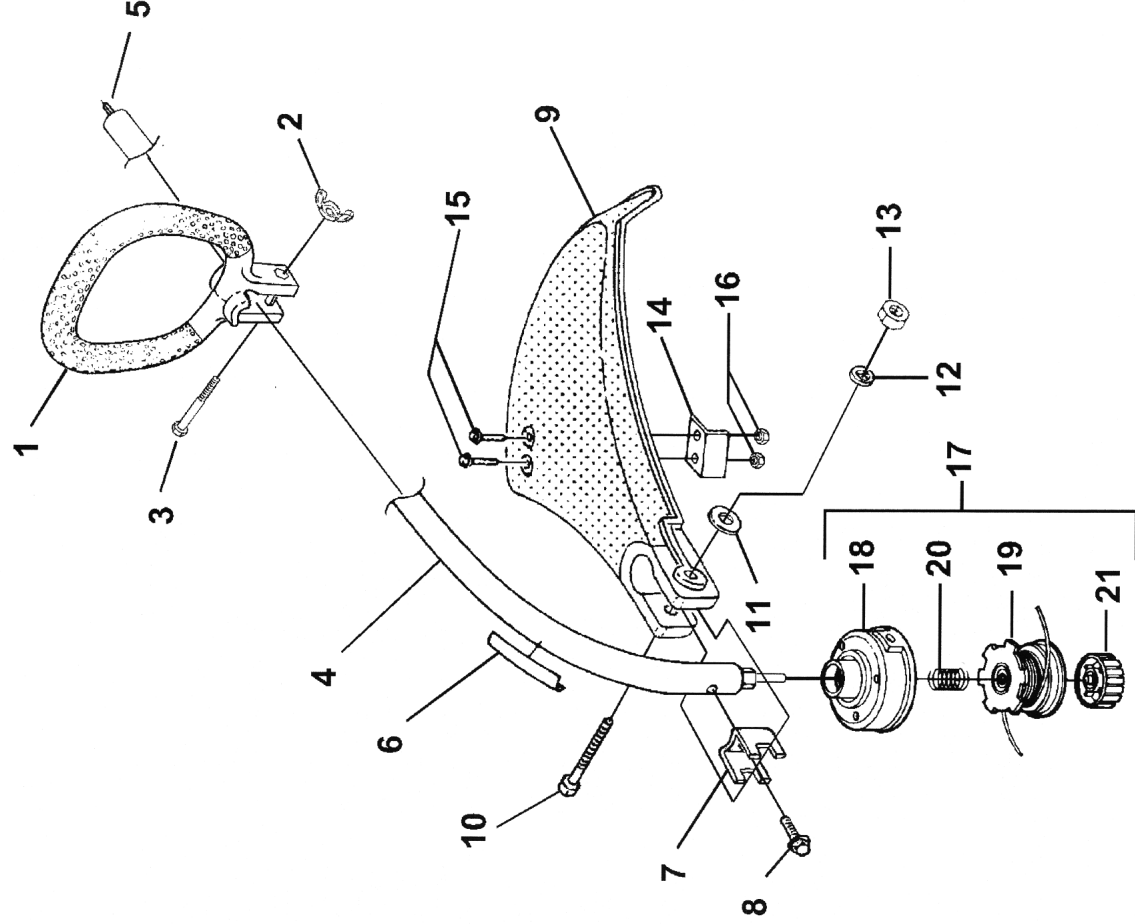
## Carburetor - Fuel Tank



## Muffler - Air Cleaner



Shaft - Spool & String - Grass Deflector



**RECOMMENDED RETAIL PRICE  
W/O TAX \* EXW DUISBURG / PARIS**

**Homelite®**

**F 2020 STRING TRIMMER UT 20789**

**carburetor - fuel tank**

| Position | Article-no | Description   | Qty |
|----------|------------|---|-----|
| 1        | BM_UP04308 | GASKET-HEAT DAM   | 1   |
| 2        | BM_UP04131 | SCREW-MACHINE (10-24 X 2 1/4")  | 2   |
| 3        | BM_UP04348 | HEAT DAM  | 1   |
| 4        | BM_UP04140 | SCREW-SEMS (10-24 X 1") TORQUE SPECS 35-45 IN/LBS, 4.0-5.1 NM. REQUIRED LOCTITE RED 262 | 2   |
| 5        | BM_UP00608 | CARBURETOR KIT (UT20768, UT20788) INCLUDES ITEMS 6-8                                    | 1   |
| 6        | BM_UP03916 | GASKET-CARBURETOR   | 1   |
| 7        | BM_UP04278 | LEVER-CHOKE (ZAMA)  | 1   |
| 8        | BM_UP04803 | BULB-PRIMER   | 1   |
| 9        | BM_UP04742 | CARBURETOR KIT (NON CLUTCH) INCLUDES ITEMS 10-12  | 1   |
| 9        | BM_UP05085 | CARBURETOR KIT (CLUTCH)   | 1   |
| 10       | BM_UP03916 | GASKET-CARBURETOR   | 1   |
| 11       | BM_UP04740 | LEVER-CHOKE   | 1   |
| 12       | BM_UP04803 | BULB-PRIMER   | 1   |
| 13       | BM_UP00020 | FUEL TANK ASSY. INCLUDES ITEMS 14-21  | 1   |
| 14       | BM_UP03871 | FILTER-FUEL   | 1   |
| 15       | BM_UP04293 | TUBING-RUBBER   | 1   |
| 16       | BM_UP04292 | TUBING-RUBBER   | 1   |
| 17       | BM_UP04715 | TUBING-RUBBER   | 1   |
| 18       | BM_UP00106 | FUEL CAP  | 1   |
| 19       | BM_UP03501 | BUMPER-RUBBER   | 3   |
| 20       | BM_UP03831 | FITTING-INLINE  | 1   |
| 21       | BM_UP03913 | CLAMP   | 1   |

**engine internal**

| Position | Article-no  | Description   | Qty |
|----------|-------------|---|-----|
| 1        | BM_UP03117  | SHORT BLOCK (NON-CLUTCH) INCLUDES ITEMS 2-9   | 1   |
| 1        | BM_UP03122  | SHORT BLOCK (CLUTCH)  | 1   |
| 2        | BM_UP00768A | PISTON & ROD ASSY. INCLUDES ITEM 3  | 1   |
| 3        | BM_UP03838  | RING-PISTON   | 1   |
| 4        | BM_UP07145  | CYLINDER ASSY. INCLUDES ITEM 5-8  | 1   |
| 5        | BM_UP03857  | GASKET-CYLINDER   | 1   |
| 6        | BM_UP04308  | GASKET-HEAT DAM   | 1   |
| 7        | BM_UP03916  | GASKET-CARBURETOR   | 1   |
| 8        | BM_UP04710  | GASKET-MUFFLER  | 1   |
| 9        | BM_UP04345  | SCREW-SEMS (12-24 X 3/4") TORQUE SPECS 55-65 IN/LBS, 6.2-7.3 NM. REQUIRED LOCTITE RED 262 | 3   |
| 10       | BM_UP00019  | CRANKCASE COVER ASSEMBLY INCLUDES ITEMS 11-12   | 1   |
| 11       | BM_UP04335  | GASKET-CRANKCASE COVER (ALSO INCLUDED W/SHORT BLOCK)                                      | 1   |
| 12       | BM_UP04295  | SCREW-SEMS (10-24 X 1/2") TORQUE SPECS 35-45 IN/LBS, 4.0-5.1 NM. REQUIRED LOCTITE RED 262 | 4   |

**ignition - rotor - starter**

| Position | Article-no  | Description  | Qty |
|----------|-------------|--|-----|
| 1        | BM_UP03858  | IGNITION KIT INCLUDES ITEMS 2-4  | 1   |
| 2        | BM_UP03868  | TERMINAL & COVER   | 1   |
| 3        | BM_UP03896  | SCREW-TAPTITE (8-32 X 1") TORQUE SPECS 30-40 IN/LBS, 3.4-4.5 NM. REQUIRED LOCTITE BLUE 242 | 2   |
| 4        | BM_UP03883  | SPARK PLUG (RDJ-7Y TORQUE SPECS 120-180 IN/LBS, 13.6-20.3 NM.                              | 1   |
| 5        | BM_UP04537  | LEAD-ELECTRICAL  | 1   |
| 6        | BM_UP04536  | LEAD-ELECTRICAL  | 1   |
| 7        | BM_UP03009A | ROTOR KIT  | 1   |
| 8        | BM_UP04241  | WASHER-FLAT  | 1   |
| 9        | BM_UP04271  | CONNECTOR AND DRUM   | 1   |
| 10       | BM_UP03117  | SHORT BLOCK (SEE "ENGINE INTERNAL" ILLUSTRATION AND PARTS LIST)                            | 1   |
| 11       | BM_UP00014  | STARTER ASSEMBLY INCLUDES ITEMS 12-17  | 1   |
| 11       | BM_UP05132  | STARTER ASSEMBLY (B25C) INCLUDES ITEMS 12-17   | 1   |

| Position | Article-no | Description  | Qty |  |
|----------|------------|--|-----|--|
| 12       | BM_UP06910 | SCREW-THREAD FORM (8-16 X 1/2") TORQUE SPECS 10-20 IN/LBS, 1.1-2.3 NM. | 3   |  |
| 13       | BM_UP03013 | BAFFLE-AIR   | 1   |  |
| 14       | BM_UP04349 | PULLEY-STARTER   | 1   |  |
| 15       | BM_UP03912 | ROPE-STARTER (42")   | 1   |  |
| 16       | BM_UP03917 | SPRING & CONTAINER   | 1   |  |
| 17       | BM_UP04276 | GRIP-STARTER (YELLOW)  | 1   |  |
| 18       | BM_UP03518 | HOUSING-REAR KIT INCLUDES ITEM 19                                      | 1   |  |
| 19       | BM_UP03900 | SCREW-PLASTITE (10-14 X 3/4") TORQUE SPECS 30-50 IN/LBS, 3.4-5.6 NM.   | 2   |  |
| 20       | BM_UP03406 | SCREW-TAPTITE (10-24 X 3/4") TORQUE SPECS 30-40 IN/LBS, 3.4-4.5 NM.    | 4   |  |
| 21       | BM_UP03114 | CONTROL HANDLE ASSY. INCLUDES ITEMS 22-28                              | 1   |  |
| 22       | BM_UP03207 | TRIGGER-THROTTLE INCLUDES ITEM 23                                      | 1   |  |
| 23       | BM_UP03210 | SPRING   | 1   |  |
| 24       | BM_UP03173 | THROTTLE INTERLOCK   | 1   |  |
| 25       | BM_UP04197 | SWITCH   | 1   |  |
| 26       | BM_UP04247 | SCREW-TAPTITE (10-14 X 1") TORQUE SPECS 30-50 IN/LBS, 3.4-5.6 NM.      | 9   |  |
| 27       | BM_UP03172 | CABLE-THROTTLE   | 1   |  |
| 28       | BM_UP03174 | LEAD-ELECTRICAL  | 1   |  |

### muffler - air cleaner

| Position | Article-no  | Description   | Qty |  |
|----------|-------------|---|-----|--|
| 1        | BM_UP04634  | MUFFLER ASSEMBLY INCLUDES ITEMS 2-5                                       | 1   |  |
| 2        | BM_UP04248  | SCREW, TAPTITE - (8-32 X 3/8") TORQUE SPECS 25-35 IN/LBS, 2.8-4.0 NM.     | 3   |  |
| 3        | BM_UP04629  | SCREEN-SPARK  | 1   |  |
| 4        | BM_UP04710  | GASKET-MUFFLER  | 1   |  |
| 5        | BM_UP04258  | SCREW, TRUSS HD. - (10-24 X 2.188) TORQUE SPECS 50-60 IN/LBS, 5.6-6.8 NM. | 2   |  |
| 6        | BM_UP00022  | AIR FILTER KIT (UT20768, UT20788) INCLUDES ITEMS 7-8                      | 1   |  |
| 7        | BM_D98760B  | FILTER-AIR  | 1   |  |
| 8        | BM_UP03885  | NUT-HEX (10-24) TORQUE SPECS 30-40 IN/LBS, 3.4-4.5 NM.                    | 2   |  |
| 9        | BM_UP05084A | AIR FILTER KIT INCLUDES ITEMS 10-11                                       | 1   |  |
| 10       | BM_D98760B  | FILTER-AIR  | 1   |  |
| 11       | BM_UP03885  | NUT-HEX (10-24) TORQUE SPECS 30-40 IN/LBS, 3.4-4.5 NM.                    | 2   |  |

### shaft - spool & string - grass deflector

| Position | Article-no  | Description   | Qty |  |
|----------|-------------|---|-----|--|
| 1        | BM_UP03010  | HANDLE ASSY.-FRONT INCLUDES ITEMS 2-3                                     | 1   |  |
| 2        | BM_UP04262  | NUT-WING, WASHER FACED (1/4-20) TORQUE SPECS 5-25 IN/LBS, .6-2.8 NM.      | 1   |  |
| 3        | BM_UP06523  | SCREW-CAP HEX HD.   | 1   |  |
| 4        | BM_UP04357  | DRIVESHAFT HOUSING ASSY. INCLUDES ITEMS 5-8                               | 1   |  |
| 5        | BM_UP03031  | SHAFT-FLEXIBLE  | 1   |  |
| 6        | BM_UP04352  | DECAL-WARNING   | 1   |  |
| 7        | BM_UP04137  | CLAMP   | 1   |  |
| 8        | BM_UP04256  | SCREW-SEMS HEX HD. (#10-24 X 3/8") TORQUE SPECS 15-25 IN/LBS, 1.7-2.8 NM. | 1   |  |
| 9        | BM_UP06710A | DEFLECTOR & BLADE KIT (55 DEG.) INCLUDES ITEMS 10-16                      | 1   |  |
| 10       | BM_UP06523  | SCREW-CAP HEX HD. (10-24 X 2")  | 1   |  |
| 11       | BM_UP03415  | WASHER-FLAT (1/4")  | 1   |  |
| 12       | BM_UP03409  | WASHER-LOCK (1/4")  | 1   |  |
| 13       | BM_UP03399  | NUT-HEX   | 1   |  |
| 14       | BM_UP04119  | BLADE-CUT-OFF INCLUDES ITEMS 15-16  | 1   |  |
| 15       | BM_UP04159  | SCREW-MECH. HEX HD. (10-24 X 7/8") TORQUE SPECS 5-25 IN/LBS, .6-2.8 NM.   | 2   |  |
| 16       | BM_UP03885  | NUT-HEX (10-24) TORQUE SPECS 30-40 IN/LBS, 3.4-4.5 NM.                    | 2   |  |
| 17       | BM_AH04102  | STRINGHEAD-COMPLETE INCLUDES ITEMS 18-21                                  | 1   |  |
| 18       | BM_UP06567  | HOUSING & EYELET (DUAL LINE)  | 1   |  |
| 19       | BM_UP00145  | SPOOL & STRING (.080" LINE) INCLUDES ITEM 20                              | 1   |  |
| 20       | BM_B06713   | SPRING-COMPRESSION  | 1   |  |
| 21       | BM_BA98866  | RETAINER-SPOOL (R.H. THREAD, BLACK)                                       | 1   |  |

RO\* ... ON REQUEST

NLA\* ... NO LONGER AVAILABLE

TBO\* ... TO BE OBSOLETE