

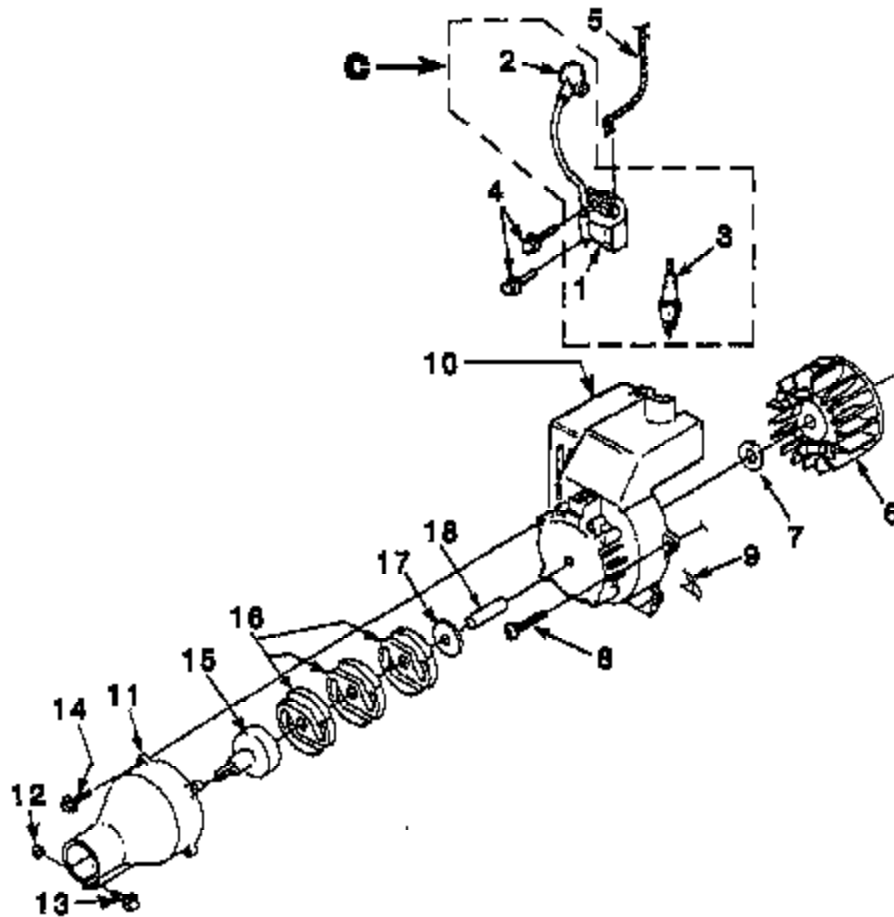
Homelite®

PARTS LIST

PBC3600-B **(UT15091 F)**

Printed in U.S.A.
P/N PS00043

IGNITION - ROTOR - CLUTCH

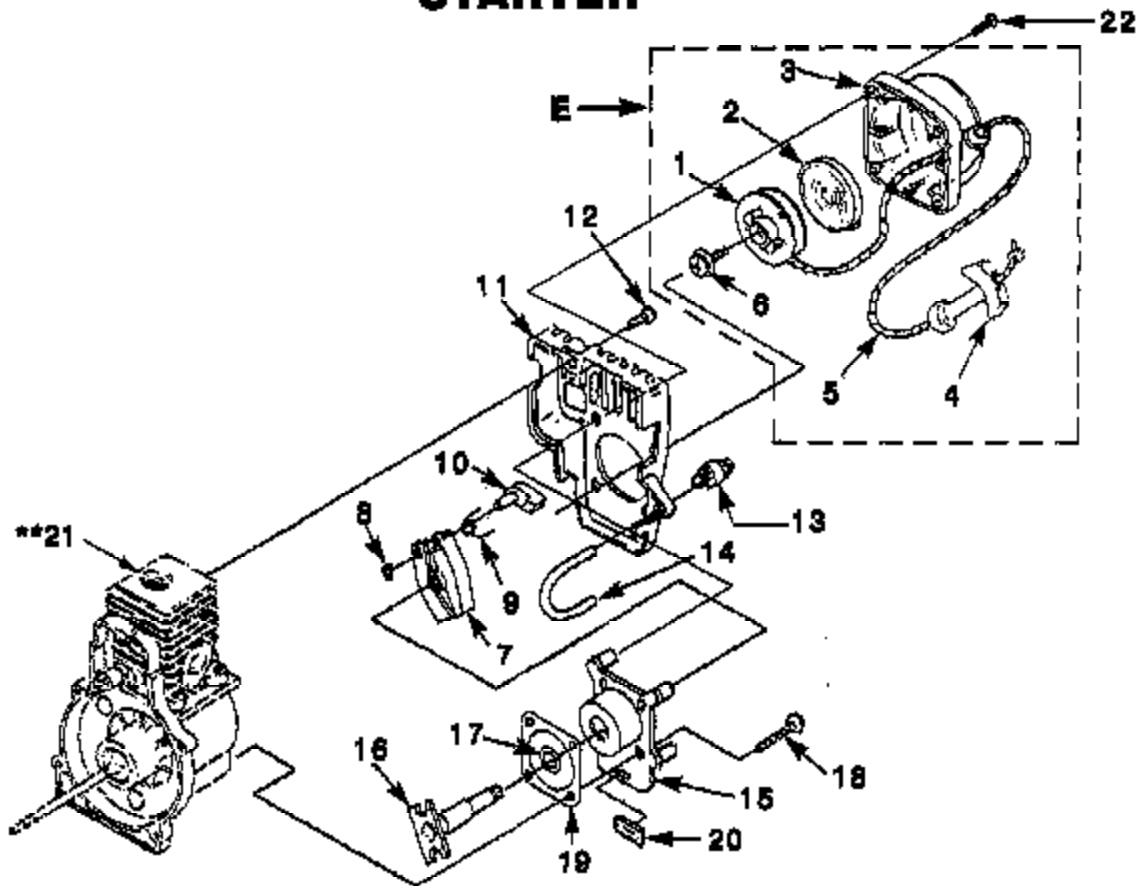


No.	Part No.	Description	Qty.
C			
1	• 94711 CS	MODULE-Ignition	1
2	A 33055	TERMINAL & COVER (Also includes Item #18)	1
3	79252	SPARK PLUG (RDJ-7Y)	1
4	82640	SCREW-Thread Form. (8-32 X 1")	2
5	A 00681	LEAD-Electrical	1
6	• A 04158 S	ROTOR & STARTER PAWL	1
7	95479 A	WASHER-Flat	1
8	82638	SCREW-Thread Form. (10-24 X 3/4")	4
9	02651	TAB-Male	1
10	A 08295	HOUSING-Engine w/Decals	1
11	• A 02396 A	TUBE ADAPTOR KIT	1
12	81206	NUT-Hex (10-24)	1
13	86624	SCREW-Sems Hex Hd. (10-24 X 1 1/4")	1
14	89052	SCREW-Sems Hex Hd. (10-24 X 7/8")	1
15	• A 04855	DRUM & CONNECTOR	1
16	00242	CLUTCH	3
17	03372	WASHER-Clutch [98928 A7]	1
18	03566 1	SPACER	1

Item No.	Torque Specs		Required Locks
	In/Lbs	Nm	
3	120-180	13.6-20.3	
4	30-40	3.4-4.5	
8	40-50	4.5-5.6	
14	40-50	4.5-5.6	

Warranty Flat Rate		
Job	Description	Time/Hr.
FA11	Ignition Module	0.4
FA12	Ground Lead	0.4
FC10	Clutch Assembly	0.4
FC12	Clutch Drum Replace	0.4
FA22	Rotor	0.4

STARTER



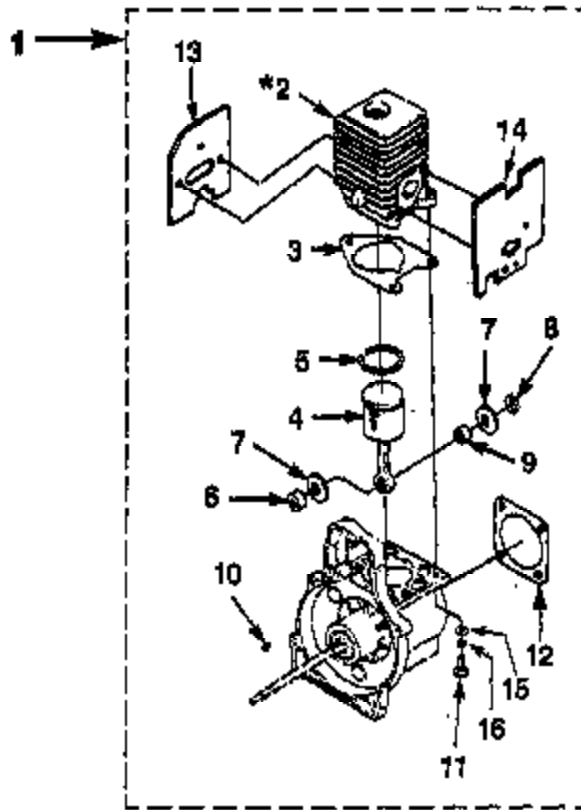
No.	Part No.	Description	Qty.
E	• A 04069	STARTER-Complete	1
1	04069 05	PULLEY-Starter	1
2	04069 08	SPRING-Recoil	1
3	04069 01	HOUSING-Starter	1
4	04069 02	GRIP-Starter	1
5	04069 03	ROPE-Starter	1
6	04069 04	SCREW-Set	1
7	• A 04018	CLIP-Starter	1
8	04018 04	RETAINING RING	1
9	04018 03	SPRING-Starter	1
10	04018 02	PAWL-Starter	1
11	04023	COWLING-Engine	1
12	82541	SCREW-Thread Forming (#10 X 1/2")	1
13	01183	BULB-Air Purge	1
14	01499 82	RUBBER TUBING (8')	1
15	• A 04017 2	CRANKCASE COVER	1
16	04018 B	SHAFT-Starter	1
17	04566	SPACER	1
18	82555 1	SCREW-Thread Form. (10-24 X 3/4")	4
19	98767 A	GASKET-Crankcase	1
20	98792	BUMPER-Rubber	1
21	**	SHORT BLOCK (See page 4)	1
22	82538	SCREW-Tapite, T-25 Torx (10-24 X 3/4")	4

Item No.	Torque Specs		Required Tool(s)
	In/Lbs	Nm	
12	30-40	3.4-4.5	
18	40-50	4.6-5.6	
22	40-50	4.5-5.6	

Warranty Flat Rate		
Job	Description	Time/H.
FG10	Starter Assembly	0.3
FG11	Starter pawl	0.3
FB20	Short Block	1.0
FD25	Crankcase Cover	0.3
FF14	Primer Bulb	0.3

10/27/97

ENGINE INTERNAL

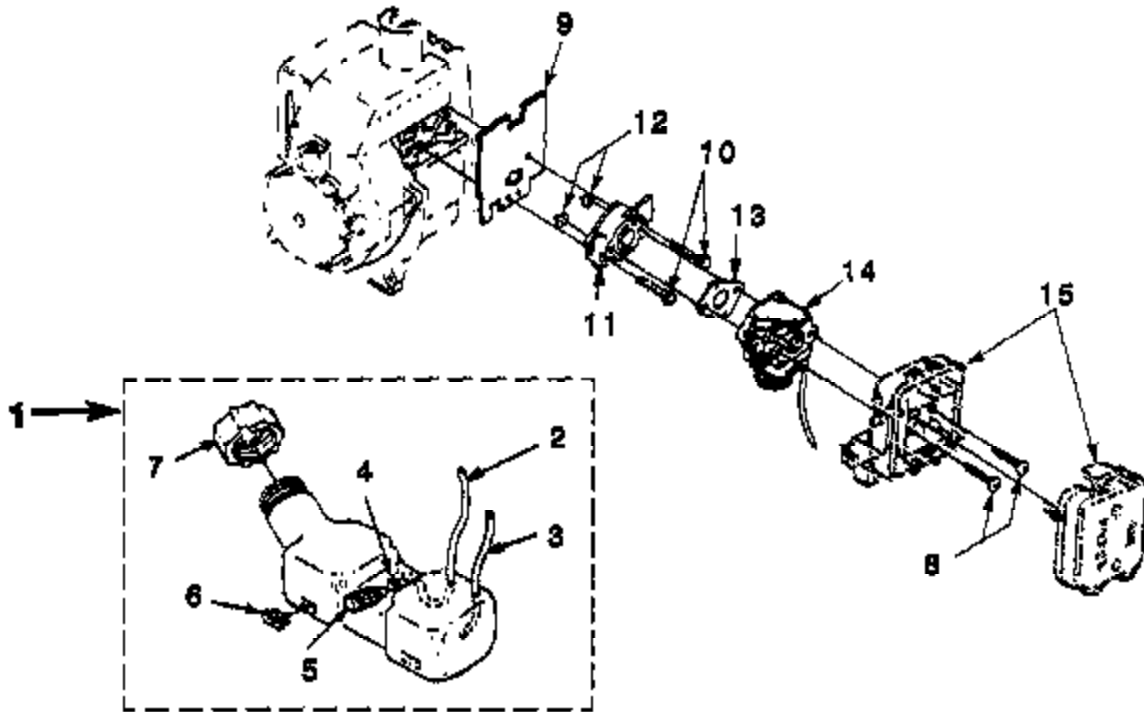


No.	Part No.	Description	Qty.
1	*A 08252 C	SHORT BLOCK	1
*2	*A 07146 B	CYLINDER & GASKET (*See page 8)	1
3	04388 B	GASKET-Cylinder	1
4	*A 08291 B	PISTON & ROD	1
5	03796	RING-Piston	1
6	04080	SPACER-Bearing	1
7	00118	WASHER-Thrust	2
8	03796	RING-Retaining	1
9	02461	BEARING-Needle	1
10	69260	KEY-Woodruff	1
11	82580 1	SCREW-Torx Pan Hd. (12-24 X 3/4")	3
12	98767 A	GASKET-Crankcase	1
13	08646	GASKET-Muffler	1
14	08840	GASKET-Heat Dam	1
15	84115	WASHER, Flat	3
16	63066	WASHER, Lock	3

Item No.	Torque Spec		Required Loosie
	In/Lbs	Nm	
11	55-60	8.2-8.8	

Job	Warranty Plat Rate	
	Description	Time/Hr.
FB20 ...	Short Block	1.0

CARBURETOR - FUEL TANK

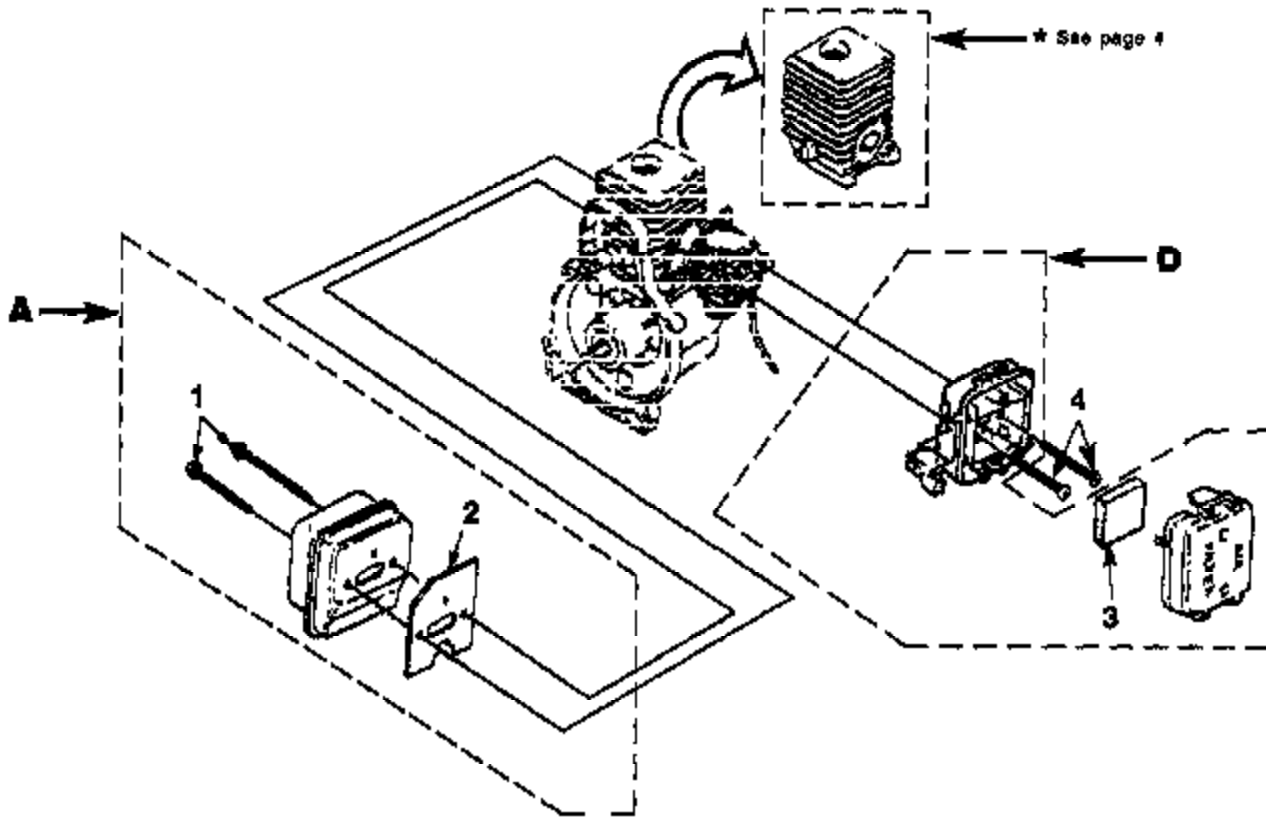


No.	Part No.	Description	Qty.
1	■A 04868	FUEL TANK	1
2	01438 17	TUBING-Rubber (4 1/4")	1
3	94772 30	TUBING-Rubber (7 1/2")	1
4	98268	CLAMP-Wire	1
5	49422	FILTER-Fuel	1
6	98792	BUMPER-Rubber	3
7	■A 00982 B	CAP-Fuel Tank	1
8	98080	SCREW-Sems Hex Hd. (10-24 X 2 1/2")	2
9	08940	GASKET-Heat Dam (See page 4)	1
10	88082 1	SCREW-Sems, Torx (10-24 X 1.12")	2
11	00884 B	HEAT DAM	1
12	81208	NUT-Hex (10-24)	2
13	98766 A	GASKET-Carburetor	1
14	A 02806	CARBURETOR (Zama)	1
	A 02607	CARBURETOR (Walbro)	1
15	■A 04707 A	AIR FILTER (See page 6)	1

Item No.	Torque Specs		Required Lbs/ft
	In/Lbs	Nm	
8	40-50	4.5-5.6	
10	40-50	4.5-5.6	

Job	Warranty Flat Rate	
	Description	Time/Hr.
FF12	Fuel/Return Line	0.3
FF15	Choke Rod	0.3
FF16	Fuel Tank	0.3
FF17	Manifold	0.3
FF42	Air Filter Assembly	0.2
FF10	Carburetor Replace	0.3

MUFFLER - AIR CLEANER

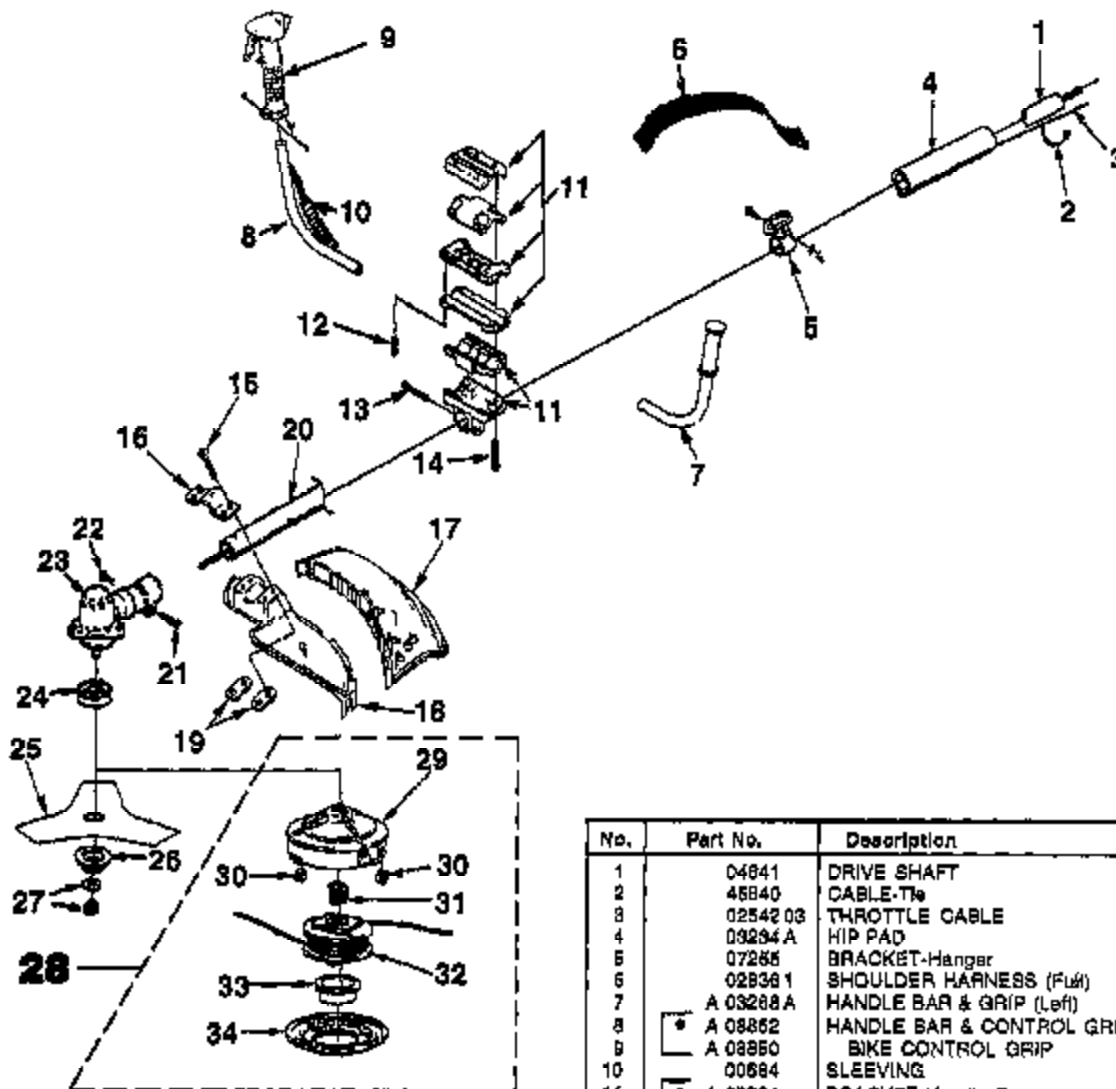


No.	Part No.	Description	Qty.
A	08858	MUFFLER COMPLETE (PBC3600B)	1
1	88080	SCREW-Sems Hex (10-24 X 2 1/2")	2
2	88846	GASKET-Muffler	1
D	04707 A	AIR FILTER KIT	1
3	88780 B	FILTER-AIR	1
4	88080	SCREW-Sems Hex Hd (10-24 X 2 1/2")	2

Item No	Torque Specs		Required Loctite
	In/Lbs	Nm	
1	40-50	4.5-5.6	
4	40-50	4.5-5.6	

Warranty Flat Rate		
Job	Description	Time/Hr
FB18	Muffler Replace	0.3
FF42	Air Filter Assembly	0.2

HANDLE - THROTTLE - DRIVESHAFT - GEARHEAD - STRINGHEAD - DEFLECTOR - BLADE - HARNESS



Warranty Flat Rate		
Job	Description	Time/Hr
FN12	Driveshaft	0.8
FN13	Driveshaft Hsg	0.4
FF13	Trigger/Throttle Assy	0.9
FD20	Front Handle	0.2
FN16	Gearhead	0.3
FN18	Deflector/Blade Guard	0.3
PM10	Stringhead Assy	0.2
FA17	Switch/Lead, Ignition	0.4

Torque Specs			
Item No.	In/Lbs	Nm	Required
21	55-66	6.2-7.3	
22	35-45	4.0-5.1	

No.	Part No.	Description	Qty.
1	04841	DRIVE SHAFT	1
2	48840	CABLE-Tie	3
3	02542 03	THROTTLE CABLE	1
4	03234 A	HIP PAD	1
5	07255	BRACKET-Hanger	1
6	02836 1	SHOULDER HARNESS (Flt)	1
7	A 03288 A	HANDLE BAR & GRIP (Left)	1
8	A 08862	HANDLE BAR & CONTROL GRIP	1
9	A 08950	BIKE CONTROL GRIP	1
10	00684	SLEEVING	1
11	A 07304	BRACKET-Handle Bar	1
12	00805	SCREW-Soc Hd	1
13	08942	SCREW-Hex Hd	4
14	03944	SCREW-Hex Hd	4
15	82555	SCREW-Mach Tr Hd (10-24 X 7/60)	4
16	08818	CLAMP	1
17	A 08152	STRING SHIELD	1
18	08573	BLADE GUARD	1
19	A 06139	MOUNTING PLATE	2
20	A 03600 A	DRIVE SHAFT HOUSING	1
21	82566	SCREW-Cap Socket Hd (1/4-20 X 7/8")	1
22	88049	SCREW-Bms Hex Hd	1
23	A 04151	GEAR HEAD	1
24	04188 1A	WASHER-Flanged	1
25	08297	BLADE-Tri-Arc	1
26	04409	WASHER-Cupped	1
27	04277	NUT-Lock	1
28	A 07247	STRING HEAD	1
29	07248	HOUSING, String	1
30	07249	EYELET	1
31	02351	SPRING	1
32	07251	SPOOL W/String	1
33	07252	BUTTON	1
34	07253	COVER	1

10/27/87