

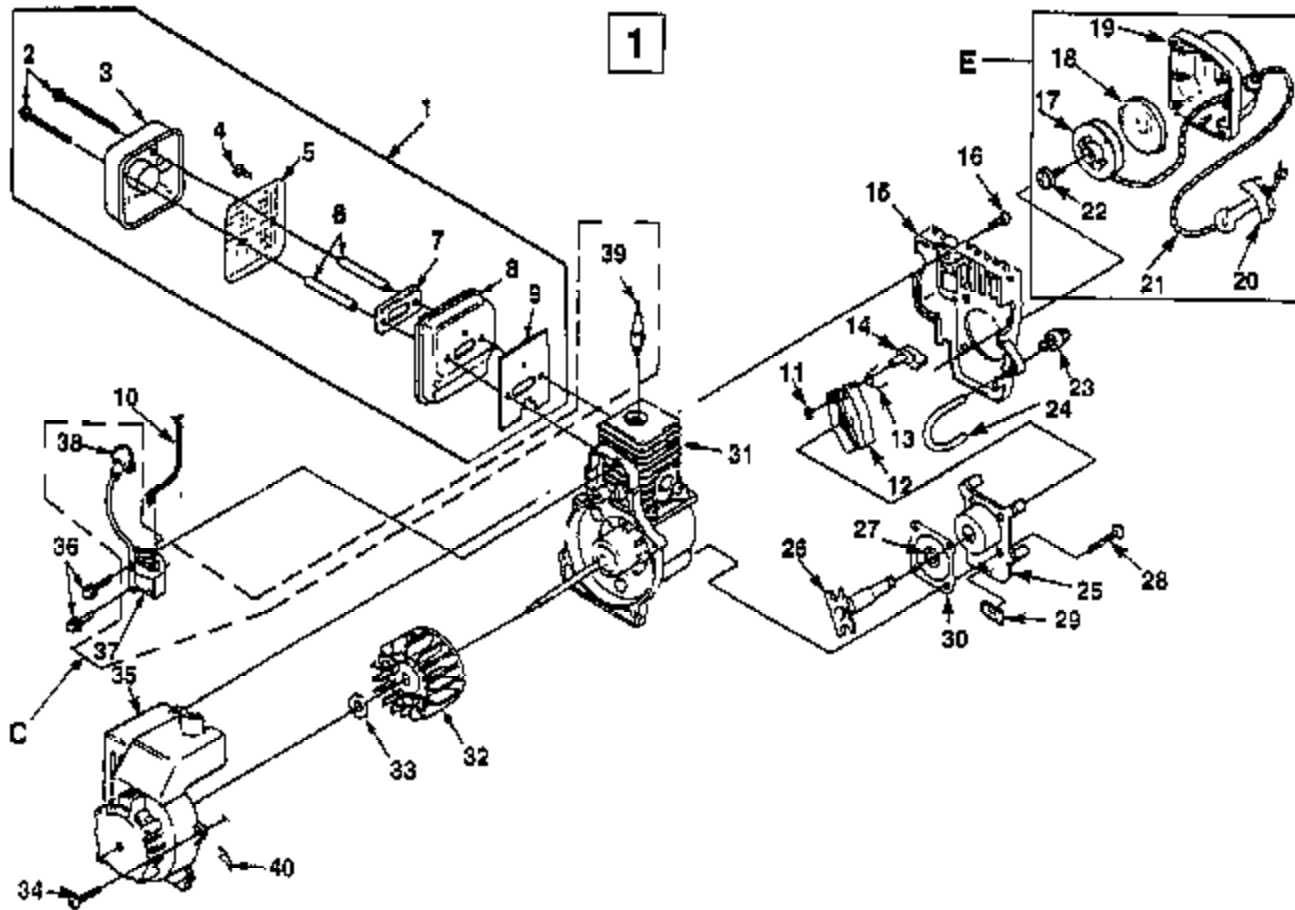
Homelite®

- GB PARTS LIST
- F LISTE DE PIÈCES
- NL ONDERDELENLIJST
- D TEILELISTE
- I ELENCO DEI PEZZI
- E LISTA DE PIEZAS
- P LISTA DE PEÇAS

PSE3000
(UT20610-C)



Printed in U.S.A.
Imprime en E.U.
Gedruckt in de V.S.
Gedruckt in den U.S.A.
Stampato negli Stati Uniti
Impresso en EE.UU.
Impresso nos E.U.A.
P/N 19078-A



| N | PN | D | Q |
|----|----------|------------------------------------|---|
| 1 | *A-04837 | MUFFLER-Complete | 1 |
| 2 | 89080 | SCREW-Sems Hex Hd (10-24 X 2 1/5") | 2 |
| 3 | A-04786 | COVER-Muffler | 1 |
| 4 | 82367 | SCREW | 1 |
| 5 | 04790 | SCREEN-Spark | 1 |
| 6 | 04785 | SPACER-Muffler | 2 |
| 7 | 88783 | PLATE-Reinforcing | 1 |
| 8 | 04710 | MUFFLER BODY | 1 |
| 9 | 98786-C | GASKET-Muffler | 1 |
| 10 | A-00681 | LEAD-Electrical | 1 |
| 11 | 04018-04 | RETAINING RING | 1 |
| 12 | 04018-01 | CUP-Starter | 1 |
| 13 | 04018-03 | SPRING-Starter | 1 |
| 14 | 04018-02 | PAWL-Starter | 1 |
| 15 | 04029 | COWLING-Engine | 1 |
| 16 | 82541 | SCREW-Thread EForming (#10 X 1/2") | 1 |
| E | *A-04069 | STARTER-Complete | 1 |
| 17 | 04069-05 | PULLEY-Starter | 1 |
| 18 | 04069-08 | SPRING-Recoil | 1 |
| 19 | 04089-01 | HOUSING-Starter | 1 |
| 20 | 04089-02 | GRIP-Starter | 1 |
| 21 | 04089-03 | ROPE-Starter | 1 |
| 22 | 04069-04 | SCREW-Set | 1 |

| N | PN | D | Q |
|----|------------|--|---|
| 23 | 01183 | BULB-Air Purge | 1 |
| 24 | 01439-32 | RUBBER TUBING (8") | 1 |
| 25 | *A-04017-2 | CRANKCASE COVER - included w/A-06262-B | 1 |
| 26 | 04018-B | SHAFT-Starter | 1 |
| 27 | 04589 | SPACER | 1 |
| 28 | 82538 | SCREW-Thread Form (10-24 X 3/4") | 4 |
| 29 | 98792 | BUMPER-Rubber | 1 |
| 30 | 88757-A | GASKET-Crankcase | 1 |
| 31 | " | SHORT BLOCK | 1 |
| 32 | A-04158 | ROTOR & STARTER PAWL | 1 |
| 33 | 95479-A | WASHER-Flat | 1 |
| 34 | 82538 | SCREW-Thread Form (10-24 X 3/4") | 4 |
| 35 | A-06982 | HOUSING-Engine w/Decals | 1 |
| 36 | 82540 | SCREW-Thread Form (8-32 X 1") | 2 |
| C | *A-04446 | IGNITION KIT | 1 |
| 37 | 94711-C3 | MODULE | 1 |
| 38 | A-33055 | TERMINAL & COVER | 1 |
| 39 | 98189-S | SPARK PLUG (DJ-7Y) | 1 |
| 40 | 02851 | TAB-Male | 1 |

No.
N°
Nr.
№
No.
№

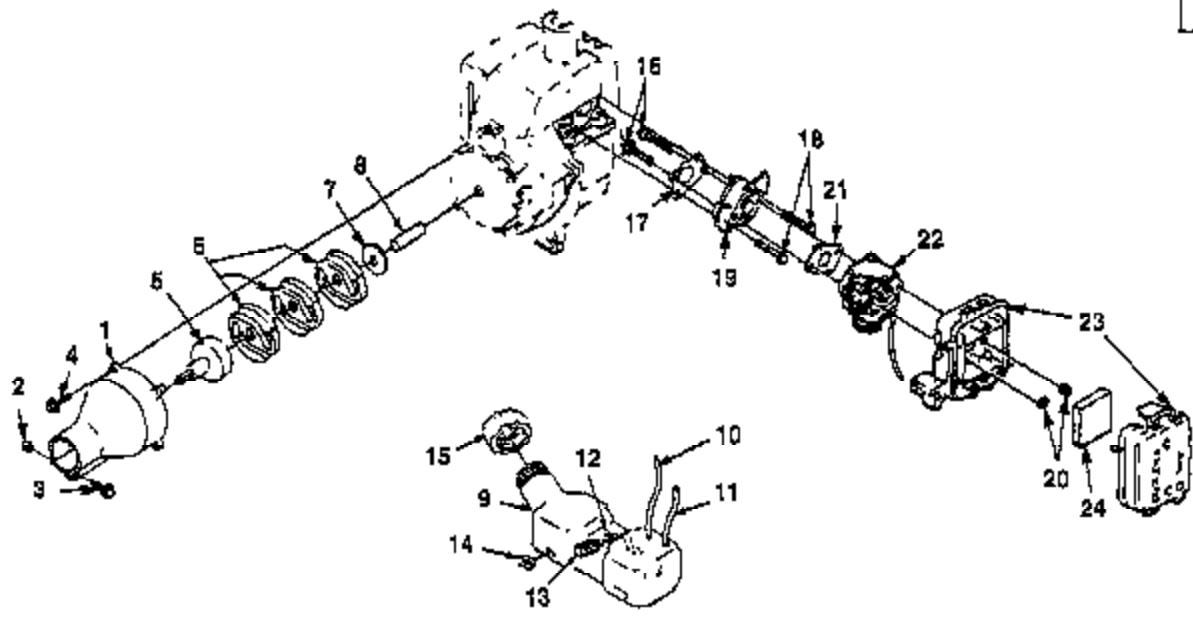
Part No.
Pièces N°
Stuknummer
Teil Nr.
Pezzo N°
No. de peça
№ de peça

DESCRIPTION - D

Quantity
Quantité
Aantal
Menge
Quantità
Cantidad
Quantidade

Assemblies
Ensembles
Assemblages
Bausätze
Completti
Conjuntos

2



| N | PN | D | Q |
|----|------------|------------------------------------|---|
| 1 | *A-02396-A | TUBE ADAPTOR KIT | 1 |
| 2 | 81208 | NUT-Hex (10-24) | 1 |
| 3 | 88054 | SCREW-Sems Hex Hd (10-24 X 1 1/4") | 1 |
| 4 | 88052 | SCREW-Sems Hex Hd (10-24 X 7/8") | 4 |
| 6 | *A-04655 | DRUM & CONNECTOR | 1 |
| 6 | 00242 | CLUTCH | 3 |
| 7 | 03372 | WASHER-Clutch | 1 |
| 8 | 03568-1 | SPACER | 1 |
| 9 | *A-04858 | FUEL TANK | 1 |
| 10 | 01439-17 | TUBING-Rubber (4 1/4") | 1 |
| 11 | 84772-30 | TUBING-Rubber (7 1/2") | 1 |
| 12 | 88268-A | CLAMP-Wire | 1 |
| 13 | 49422 | FILTER-Fuel | 1 |
| 14 | 88792 | BUMPER-Rubber | 3 |
| 15 | A-00982-A | CAP-Fuel Tank | 1 |
| 18 | 04474 | SCREW-Hex Hd (10-24 X 2 1/4") | 2 |
| 17 | 00775-A | GASKET-Heat Dam | 1 |
| 18 | 82549-1 | SCREW-Tapite, Torx (10-24 X 1") | 2 |
| 19 | 00824-B | HEAT DAM | 1 |
| 20 | 81208 | NUT-Hex (10-24) | 2 |
| 21 | 88768-A | GASKET-Carburetor | 1 |
| 22 | A-02607 | CARBURETOR (Walbro) | 1 |
| 23 | *A-04707 | AIR FILTER KIT | 1 |
| 24 | D-98760-B | FILTER-Air | 1 |

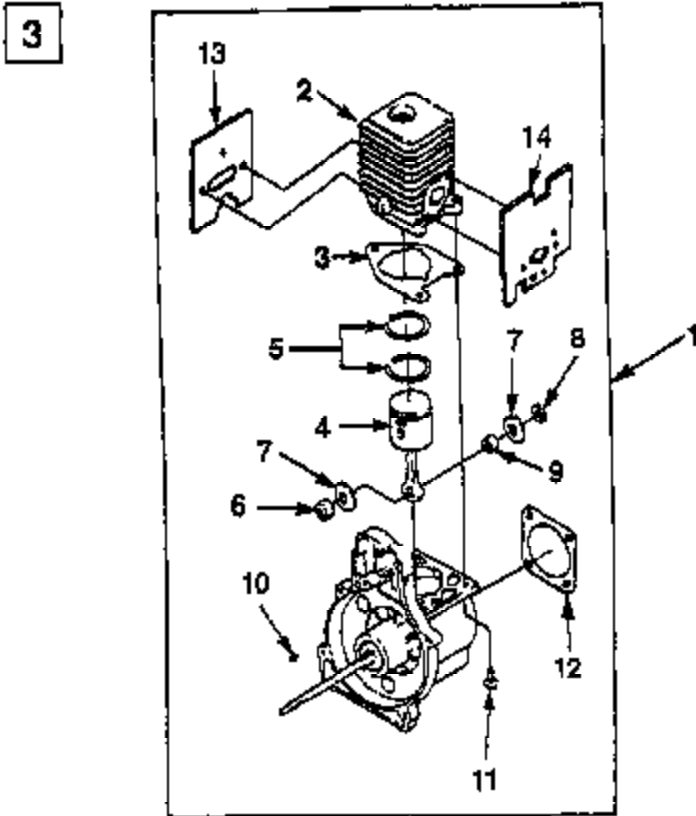
No.
N°
Nr.
Nr.
N°
No.
N°

Part No.
Pièce N°
Stuknummer
Teil Nr.
Pezzo N°
No. de pieza
N° de peça

DESCRIPTION

Quantity
Quantité
Aantal
Menge
Cantidad
Cantidad

Assemblies
Ensembles
Assemblages
Baupätze
Complees
Conjuntos



| N | PN | D | Q |
|----|------------|-------------------------------------|---|
| 1 | •A-06262-B | SHORT BLOCK | 1 |
| 2 | ■A-D4740-B | CYLINDER & GASKET | 1 |
| 3 | □ D4388-B | GASKET-Cylinder | 1 |
| 4 | ■A-D6291-A | PISTON & ROD | 1 |
| 5 | □ 03178 | RING-Piston | 2 |
| 6 | □ 04860 | SPACER-Bearing | 1 |
| 7 | □ 00118 | WASHER-Thrust | 2 |
| 8 | □ 03798 | RING-Retaining | 1 |
| 9 | □ 02481 | BEARING-Needle | 1 |
| 10 | □ 65250 | KEY-Woodruff | 1 |
| 11 | □ 62580-1 | SCREW-Machine Pan Hd (12-24 X 3/4") | 3 |
| 12 | □ 98767-A | GASKET-Crankcase | 1 |
| 13 | □ 98766-C | GASKET-Muffler | 1 |
| 14 | □ 00775-A | GASKET-Heat Dam | 1 |
| * | A-04017-2 | CRANKCASE COVER (Page 2) | 1 |

No.
N°
Nr.
N°
N°
No.
N°

N

Part No.
Pièce N°
Stuknummer
Teil Nr.
Pezzo N°
No. de peça
N° da peça

PN

DESCRIPTION D

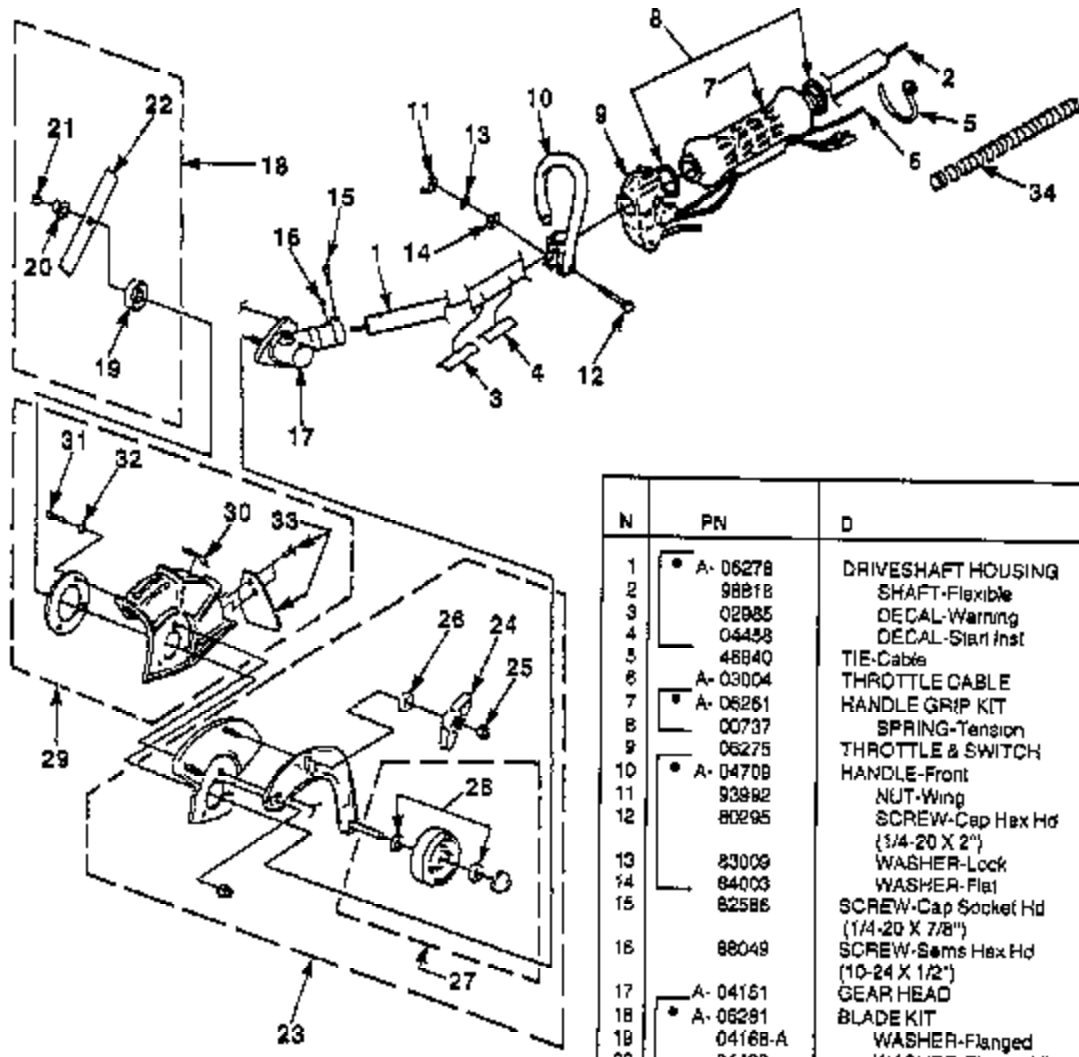
Quantity
Quantité
Aantal
Menge
Quantità
Cantidad
Quantidade

Q

Assemblies
Ensembles
Assemblages
Beusätze
Completos
Conjuntos
Conjuntos

*

4

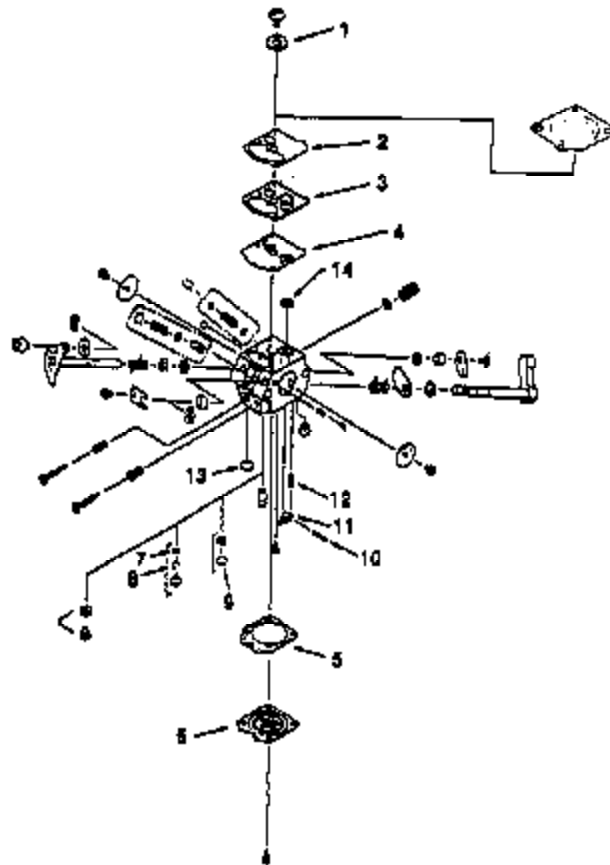


| N | PN | D | Q |
|----|------------|--|---|
| 1 | A- 06278 | DRIVESHAFT HOUSING | 1 |
| 2 | 98818 | SHAFT-Flexible | 1 |
| 3 | 02085 | DECAL-Warning | 1 |
| 4 | 04458 | DECAL-Start Inst | 1 |
| 5 | 48840 | TIE-Cable | 1 |
| 6 | A- 03004 | THROTTLE CABLE | 1 |
| 7 | A- 06261 | HANDLE GRIP KIT | 1 |
| 8 | 00737 | SPRING-Tension | 2 |
| 9 | 06275 | THROTTLE & SWITCH | 1 |
| 10 | A- 04708 | HANDLE-Front | 1 |
| 11 | 93982 | NUT-Wing | 1 |
| 12 | 80295 | SCREW-Cap Hex Hd (3/4-20 X 2") | 1 |
| 13 | 83009 | WASHER-Lock | 1 |
| 14 | 84003 | WASHER-Flat | 1 |
| 15 | 82586 | SCREW-Cap Socket Hd (1/4-20 X 7/8") | 1 |
| 16 | 88049 | SCREW-Sems Hex Hd (10-24 X 1/2") | 1 |
| 17 | A- 04161 | GEAR HEAD | 1 |
| 18 | A- 06291 | BLADE KIT | 1 |
| 19 | 04168-A | WASHER-Flanged | 1 |
| 20 | 04409 | WASHER-Flanged(Lower) | 1 |
| 21 | 04277 | NUT-Lock | 1 |
| 22 | D- 04359 | BLADE, 2" X 9" (Qty -2) | 1 |
| 23 | A- 06280 | SUPPORT ARM ASSEMBLY | 1 |
| 24 | 08364 | KNOB-Adjusting | 1 |
| 25 | 81182 | NUT-Hex | 1 |
| 26 | 84010 | WASHER-Flat | 1 |
| 27 | A- 06279 | WHEEL KIT | 1 |
| 28 | 84010 | WASHER-Flat | 2 |
| 29 | A- 06277-A | GUARD KIT | 1 |
| 30 | 03871 | DECAL-Warning | 1 |
| 31 | 82593 | SCREW-Hex Hd (10-24 X 5/8") | 3 |
| 32 | 83046 | WASHER-Lock (#10) | 3 |
| 33 | A- 06296 | FLAP KIT | 1 |
| 34 | 00884 | SLEEVING (Cut length to 10') | 1 |

| | | | | | | | | | |
|-------------------------------------|-----|--|------|-------------|-----|---|-----|--|---|
| No. N° Nr. N° No. N° | — N | Part No. Pièce N° Stücknummer Teil Nr. Pezzo N° No. de peça N° da peça | — PN | DESCRIPTION | — D | Quantity Quantité Anzahl Menge Quantità Cantidad Quantidade | — Q | Assemblies Ensembles Assemblages Bausätze Conjuntos Conjuntos | — |
|-------------------------------------|-----|--|------|-------------|-----|---|-----|--|---|

WALBRO A-02607

5



- Ⓢ Repair Kit (1-14) 06315
- ① Jeu de réparation
- Ⓜ Reparationsset
- Ⓡ Reparatursatz
- ① Kit per riparazioni
- Ⓝ Juego de reparación
- Ⓡ Jogo de reparação

- Ⓢ Gasket/Diaphragm Kit (2-6) 06314
- ① Jeu joint/diaphragme
- Ⓜ Pakking/membraan set
- Ⓡ Dichtung/Membran-Satz
- ① Kit diaframma/guarnizione
- Ⓝ Conjunto junta/diafragma
- Ⓡ Jogo de juntas vedantes/diafragmas

Ⓜ SYMBOL DEFINITIONS
Ⓜ DÉFINITIONS DES SYMBOLES
Ⓜ OMSCHRIJVING VAN SYMBOLEN
Ⓜ ERKLÄRUNG DER SYMBOLE
Ⓜ DEFINIZIONE DEI SIMBOLI
Ⓜ SIGNIFICADO DE LOS SIMBOLOS
Ⓜ DEFINIÇÕES DE SÍMBOLOS



- Ⓜ Danger/Warning/Caution
- Ⓜ Danger/Avvertissemant/Attention
- Ⓜ Gevaar/Waarschuwing/Oppaait
- Ⓜ Gefahr/Achtung/Vorsicht
- Ⓜ Pericolo/Attenzione/Attenzione
- Ⓜ Peligro/Advertencia/Precaución
- Ⓜ Perigo/Advertência/Precaução



- Ⓜ Read your product literature
- Ⓜ Lire les publications sur le produit
- Ⓜ Lees uw produkt informatie
- Ⓜ Die Geräte-Beschreibungen und Anleitungen lesen
- Ⓜ Leggere la documentazione del prodotto
- Ⓜ Lea el manual del producto
- Ⓜ Ler a literatura sobre o equipamento



- Ⓜ Wear hearing and eye protection devices
- Ⓜ Porter des protège-oreilles et une protection des yeux
- Ⓜ Draag een veiligheidsbril oorbeschermers
- Ⓜ Ohren- und Augenschutz tragen
- Ⓜ Indossare protezioni oculari ed acustica
- Ⓜ Use equipo de protección de los oídos y ojos
- Ⓜ Usar acessórios de proteção para os olhos e para os ouvidos

CUSTOMER ASSISTANCE

FOR THE LOCATION OF YOUR NEAREST HOMELITE SERVICING DEALER
IN THE UNITED STATES, PUERTO RICO, AND THE VIRGIN ISLANDS,

CALL: 1-800-242-4672

HEADQUARTERS

Homelite, Inc.
P.O. BOX 7047
CHARLOTTE, N.C. 28241

OVERSEAS OFFICES

NETHERLANDS

Homelite Netherlands B.V.
A Deere & Company Affiliate
Haverstraat 24
2153 GB Nieuw Vennep
The Netherlands

FRANCE

Homelite Atlantic SARL
Groupe Deere & Co.
BP 7011
95050 Cergy Pontoise Cedex
France

AUSTRALIA

Homelite Pacific Ltd.
A Deere & Company Affiliate
ACN 008 683 538
84 Rushdale Street
P. O. Box 555 MDA
Knoxfield Vic 3180
Australia

CANADIAN OFFICES

Homelite Canada Limited

Homelite Canada Limitée

A Deere & Company Affiliate /
Une Filiale de Deere & Company
1850-55th Avenue
Lehina, Québec, Canada H8T 3J6
1-800-383-5716

UNIT 212-214, 580 Ebury Place
New Westminster, B.C. V3M 6K7
1-800-667-3128

20-D Voyager Court South
Etobicoke, Ontario M9W 3M7
1-800-486-2249

Homelite inc.
A Subsidiary of Deere & Company