

# Homelite®

25cc STRING TRIMMERS

## REPAIR SHEET

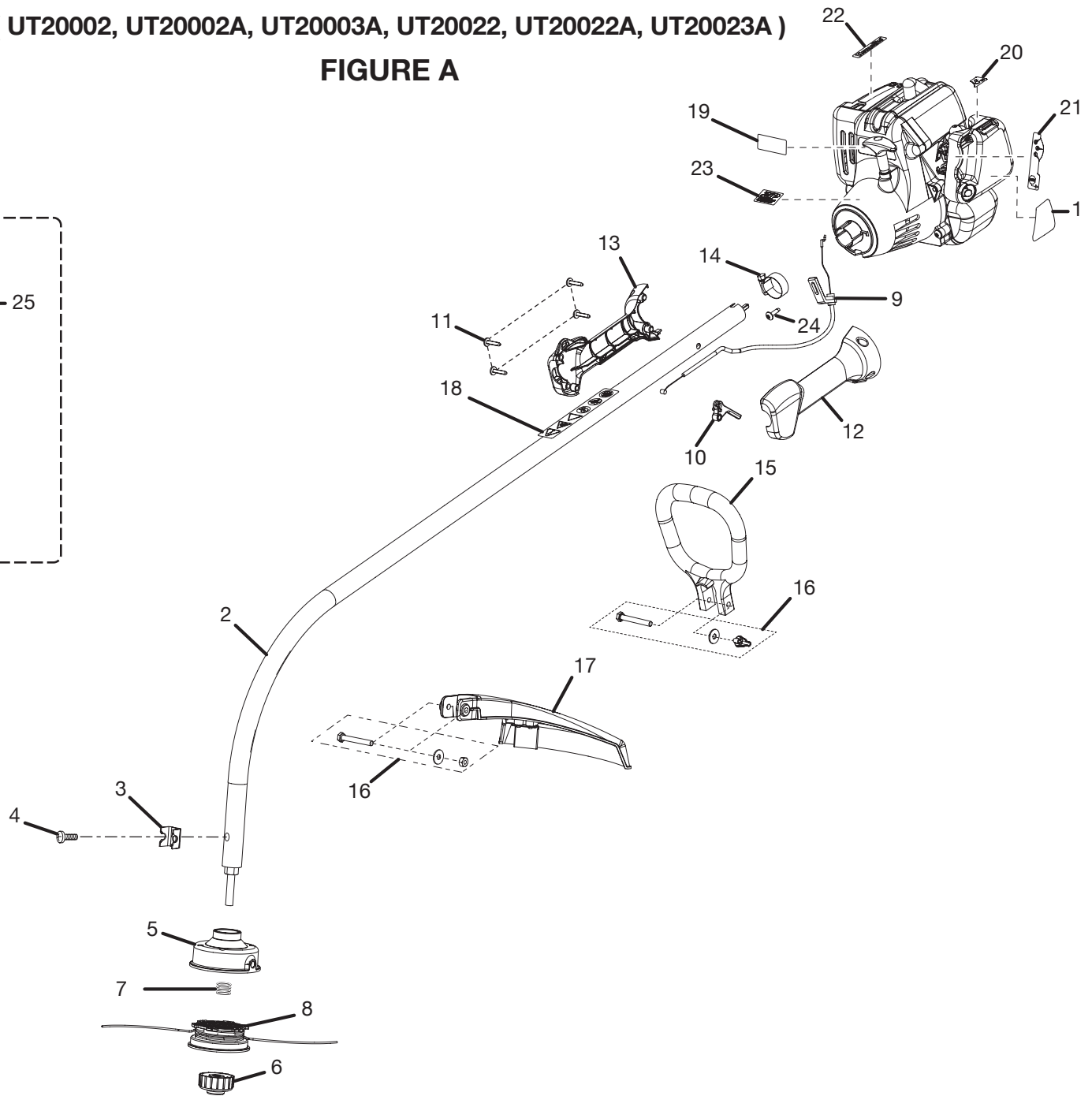
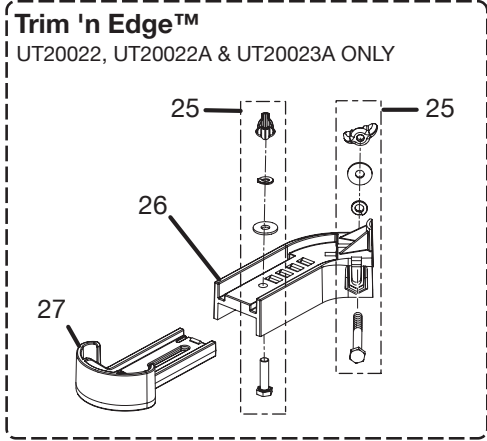
**TrimLite™** – UT20002, UT20002A, UT20003A

**Trim 'n Edge™** – UT20022, UT20022A, UT20023A

**EZ Reach™** – UT20042, UT20042A, UT20043A

HOMELITE 25cc STRING TRIMMER  
( UT20002, UT20002A, UT20003A, UT20022, UT20022A, UT20023A )

FIGURE A



**REPLACEMENT PARTS  
FIGURE A**

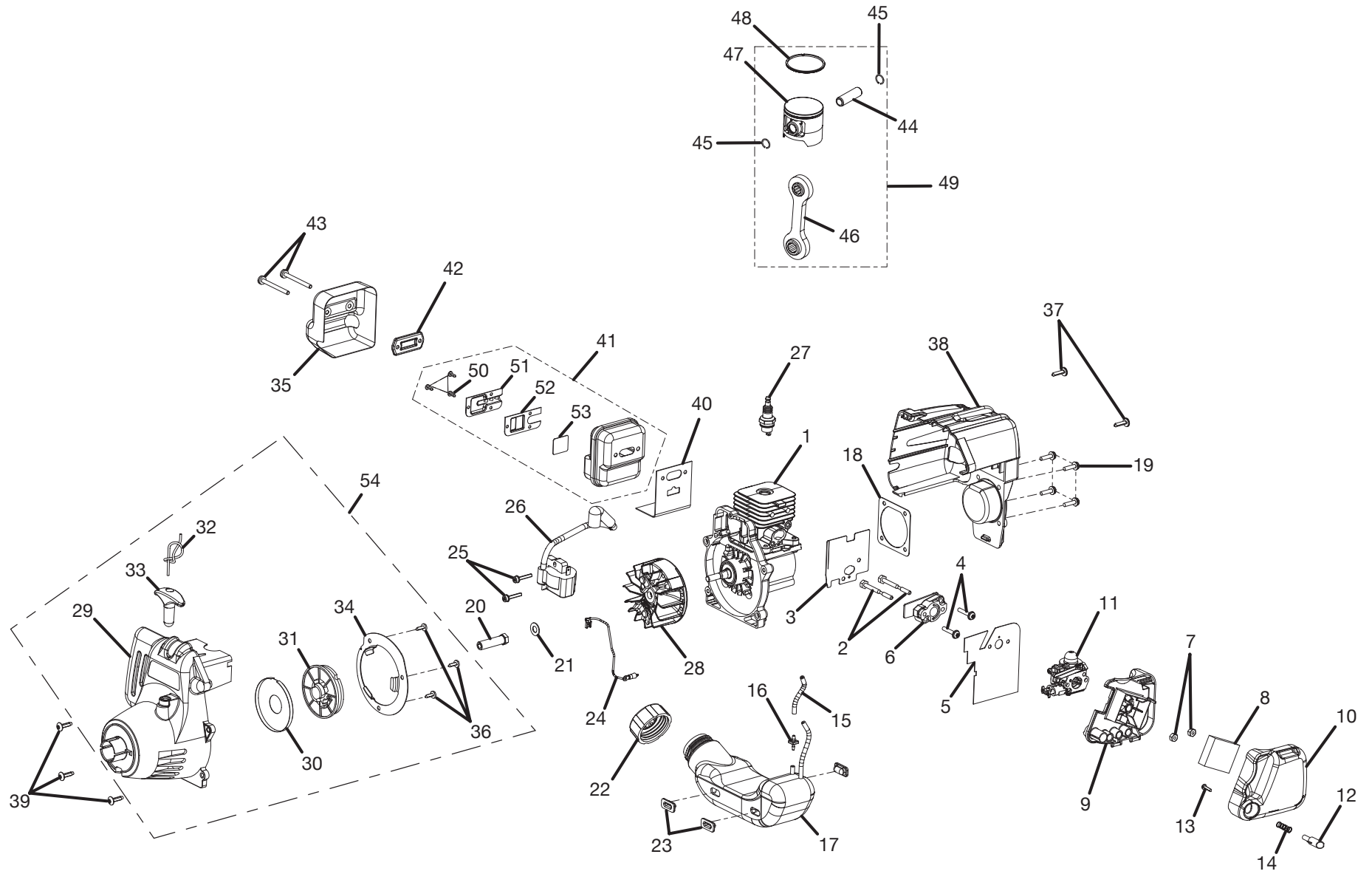
**PARTS LIST**

KEY NO.	PART NUMBER	DESCRIPTION	QTY.	KEY NO.	PART NUMBER	DESCRIPTION	QTY.
	984772001	POWER HEAD, UT20002, UT20022, UT20042...	1				
	984772003	UT20002A, UT20022A, UT20042A.....	1				
	984772004	UT20003A, UT20023A, UT20043A.....	1	17	985623002	GRASS DEFLECTOR ASSEMBLY .....	1
1	985184001	STARTING INSTRUCTION DECAL .....	1	18	984032001	DECAL, WARNING/STARTING BOOM.....	1
2	985380001	CURVED SHAFT ASSEMBLY .....	1	19	983837001	DECAL, TRIMLITE LOGO .....	1
3	07928	CLAMP.....	1		983838001	DECAL, TRIM-N-EDGE	
4	983823001	* SCREW (10-32 x 3/8 in.) .....	1		983839001	DECAL, EASY REACH	
5	A98231A	HOUSING AND EYELET .....	1	20	985159001	DECAL, PRIMER .....	1
6	A98866A	SPOOL RETAINER (RH).....	1	21	985294001	DECAL, CHOKE.....	1
7	06713	COMPRESSION SPRING .....	1	22	07184	DECAL, HOMELITE .....	1
8	PA0387A	SPOOL W/LINE.....	1	23	983840001	LABEL, ZIP START .....	1
9	0883202	THROTTLE CABLE W/HANGER.....	1			(Trim 'n Edge™ & EZ Reach™ ONLY)	
10	983815001	TRIGGER .....	1	24	82538	* SCREW (10-24 x 3/4 in. TRUSS HEAD).....	1
11	82537	* SCREW (10-14 x 7/8 in. TRUSS HD.) .....	4	25	A09361	FASTENER PARTS KIT .....	1
12	PS04383	HANDLE GRIP (LH).....	1	26	09310	EDGER BASE .....	1
13	PS04384	HANDLE GRIP R/H.....	1	27	09311	EDGER GUIDE.....	1
14	PS01611	BOOM CLAMP .....	1				
15	98822A	FRONT HANDLE.....	1				
16	PA00249	FASTENER PARTS KIT .....	1				

\* STANDARD HARDWARE ITEM – MAY BE PURCHASED LOCALLY

# HOMELITE 25cc STRING TRIMMER

## FIGURE B



**HOMELITE 25cc STRING TRIMMER**

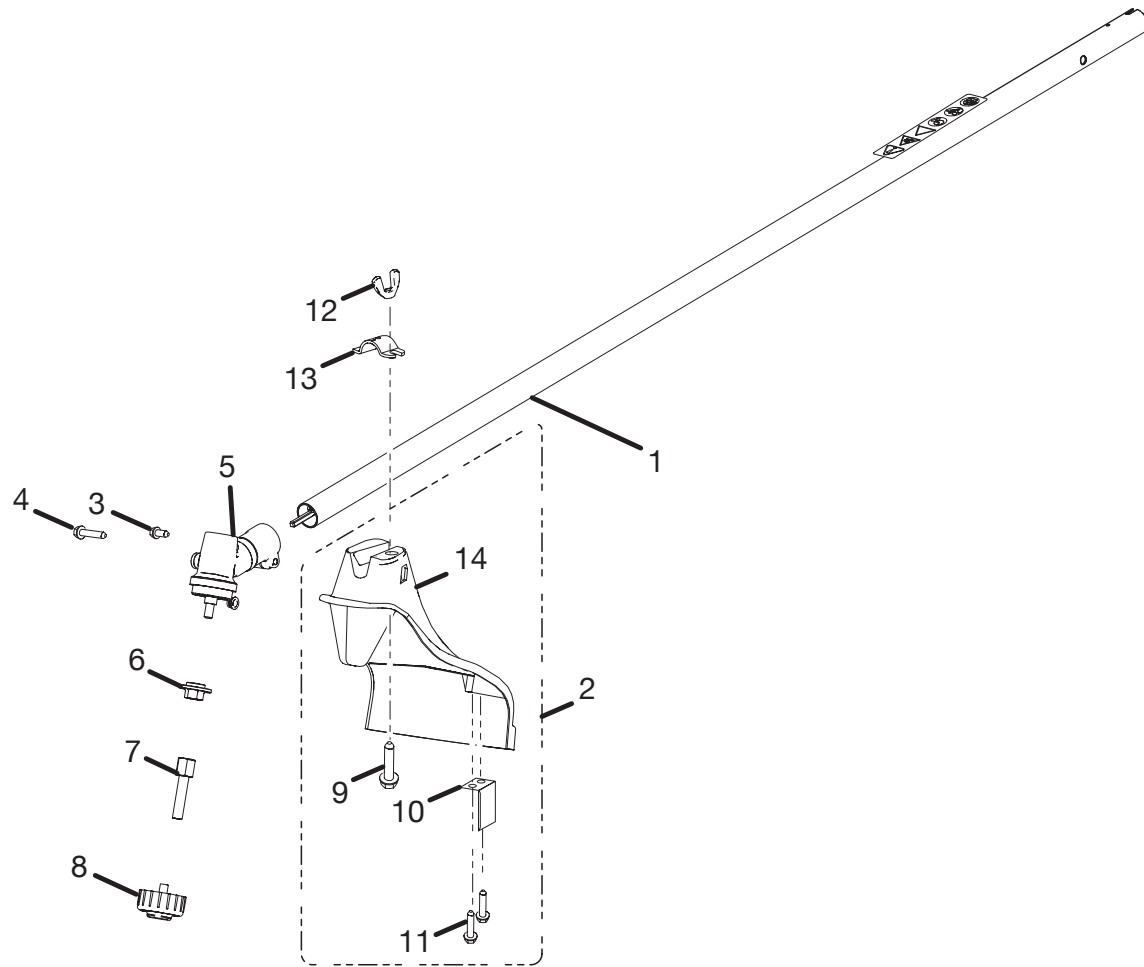
**REPLACEMENT PARTS  
FIGURE B**

KEY NO.	PART NUMBER	DESCRIPTION	QTY.	KEY NO.	PART NUMBER	DESCRIPTION	QTY.
1	985394001	SHORT BLOCK ASSEMBLY (984772001).....	1	29	3075303	STARTER HOUSING ASSEMBLY .....	1
	984773001	SHORT BLOCK ASSEMBLY (984772003 & 004)...	1	30	A98773A	SPRING AND CONTAINER.....	1
2	04474	CARBURETOR BOLTS .....	2	31	98770A	STARTER PULLEY .....	1
3	984762001	INTAKE GASKET.....	1	32	9789902	STARTER ROPE.....	1
4	093221	* SCREW (10-24 X 1-1/16 in. PAN HD.).....	2	33	PS06114	STARTER GRIP .....	1
5	9074001	CARBURETOR GASKET .....	1	34	PS00326	BAFFLE.....	1
6	98768A	HEAT DAM .....	1	35	984743001	HEAT SHIELD (CARB. UNIT).....	1
7	81208	* LOCK NUT (10-24).....	2	36	82543	* SCREW (8-16 X 1/2 in. THREAD FORMING).....	3
8	98760	AIR FILTER.....	1	37	82563	* SCREW (10-14 X 3/4 in. THREAD FORMING).....	2
9	PS02113	AIR FILTER BOX .....	1	38	984740001	REAR HOUSING .....	1
10	PS02156	AIR BOX COVER.....	1	39	82538	* SCREW (10-24 X 3/4 in. TRUSS HD.).....	3
11	985624001	CABURETOR ASSEMBLY .....	1	40	984760001	MUFFLER GASKET .....	1
12	06618A	BUTTON SWITCH.....	1	41	984761001	NON-CATALYTIC MUFFLER ASSEMBLY (INCL. KEY NO. 50 THRU 53) 984772001 & 003 ....	1
13	82513	SCREW, (6-19 x 1/2 in. T.F.) .....	1		984748001	CATALYTIC MUFFLER ASSEMBLY .....	1
14	95020A	COMPRESSION SPRING .....	1			(INCL. KEY NO. 50 THRU 53) 984772004.....	1
15	0143910	RUBBER TUBING.....	1	42	07185	REINFORCEMENT PLATE (EPA UNIT) .....	1
16	985304001	INLINE FUEL FITTING .....	1	43	88083	* SCREW (10-24 X 2-3/16 in. TORX HD. ).....	2
17	PA00116	FUEL TANK.....	1	44	00238A	PIN, PISTON .....	1
18	06443A	CRANK CASE COVER GASKET.....	1	45	6969102	CLIP RING .....	2
19	984812001	* SCREW (10-24 X 3/4 in. PAN HD. TORX W/LW) ..	4	46	PA00190	CONNECTING ROD ASSEMBLY .....	1
20	98795A	DRIVE CONNECTOR.....	1	47	984228001	PISTON, 25cc .....	1
21	PS84065	FLAT WASHER.....	1	48	PS04468	PISTON RING .....	1
22	985210001	FUEL CAP ASSEMBLY .....	1	49	3081102	PISTON ASSEMBLY .....	1
23	98792	BUMPER.....	3			(INCLUDES KEY NO. 44-48)	
24	A07238	LEAD W/TERMINALS .....	1	50	984759001	* SCREW (6-20 x 1/4 in. PAN HD.) .....	3
25	82540	* SCREW (8-32 X 1 in. THREAD FORMING) .....	2	51	984757001	OUTLET TUBE .....	1
26	94711C	IGNITION MODULE (USED WITH 984772001 POWER HEAD).....	1	52	984755001	SCREEN PLATE .....	1
	4306401	IGNITION MODULE (USED WITH 984772003 & 004, POWER HEAD)....	1	53	984753001	SCREEN.....	1
27	PS02227	SPARK PLUG.....	1	54	985543001	COMPLETE STARTER ASSEMBLY .....	1
28	984531001	ROTOR AND PAWL ASSEMBLY.....	1				

\* STANDARD HARDWARE ITEM – MAY BE PURCHASED LOCALLY

HOMELITE 25cc STRING TRIMMER

**FIGURE C**  
(UT20042, UT20042A & UT20043A)



**REPLACEMENT PARTS  
FIGURE C**

**PARTS LIST**

KEY NO.	PART NUMBER	DESCRIPTION	QTY.
1	985381001	STRAIGHT SHAFT ASSEMBLY .....	1
2	984821001	GRASS SHIELD ASSEMBLY (INCLUDES HARDWARE).....	1
3	PS04673	* SCREW (10-24 x 5/8 in.) .....	1
4	983381007	* SCREW (10-24 x 1-1/4 in.).....	1
5	984244001	GEAR HEAD.....	1
6	984931001	WASHER.....	1
7	PS04438	SHAFT ADAPTER .....	1
8	A97910A	SPOOL RETAINER (LH) .....	1
9	PS02435	SCREW, SQUARE HEAD.....	1
10	07129	CUT OFF BLADE .....	1
11	82546	SCREW .....	2
12	PS02453	WING NUT .....	1
13	PS02391	SHIELD CLAMP .....	1
14	984822001	GRASS SHIELD .....	1
	983000337	OPERATOR'S MANUAL	
	983000461	CUSTOMER SHEET	
	06-24-04		

\* STANDARD HARDWARE ITEM - MAY BE PURCHASED LOCALLY

**HOMELITE CONSUMER PRODUCTS, INC.**

1428 Pearman Dairy Road Anderson, SC 29625

Post Office Box 1207, Anderson, SC 29622

Phone 1-800-chainsa (1-800-242-4672)

[www.homelite.com](http://www.homelite.com)